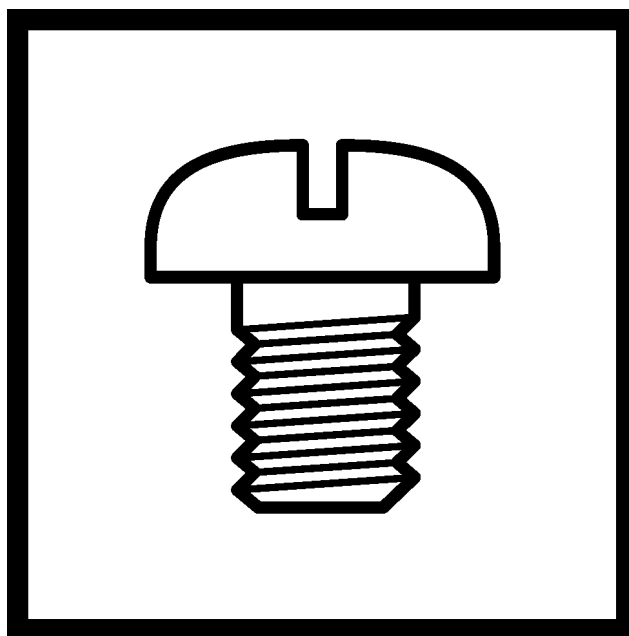


T-8750B

パーツブック
PARTS BOOK

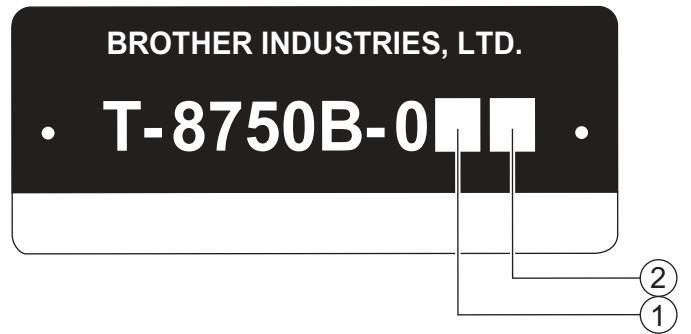
2本針本縫角縫大釜ミシン

TWIN NEEDLE SPLIT NEEDLE BAR LOCK STITCHER WITH LARGE HOOK



brother[®]


最新の部品情報は Parts Navigation でご覧いただけます。 <http://partsbook.brother.co.jp/partsnavi/jpn/index.html>
The latest parts information, refer to the Parts Navigation. <http://partsbook.brother.co.jp/partsnavi/eng/index.html>



① — 0: 微量給油仕様 / Minimum lubrication type

② — 3: 中厚物 / Medium-weight materials
5: 厚物 / Heavy-weight materials

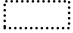
パーツブックご利用に際して

1. この本は、2005年 04月のデータに基づいて作成されたものです。
2. 部品は予告なしに設計変更される場合があります。
3. 組単位で補給する部品は、 破線で示してあります。
4. 部品コード欄が * となっている場合は、仕様別部品一覧表及びゲージ部品一覧表でお調べ下さい。
(38から42ページ)

目 次

| | |
|--------------------|----|
| A. 主体関係 | 1 |
| B. 上軸関係 | 3 |
| C. 針棒揺動関係 | 5 |
| D. 針棒切替操作関係 | 9 |
| E. 押え関係 | 11 |
| F. 送り関係 | 13 |
| G. 送り軸関係 | 15 |
| J1. かま関係 | 17 |
| J2. かま関係 | 21 |
| H. ゲージ関係 | 21 |
| K. 下軸関係 | 23 |
| L. 給油潤滑関係 | 25 |
| M. 糸通し関係 | 29 |
| N. 糸巻関係 | 31 |
| Z1. 付属品関係 | 33 |
| Z2. 付属品関係 | 35 |
| Wa. 警告ラベル | 37 |
| Sp. 仕様別部品一覧表 | 38 |
| Ga. ゲージ一覧表 | 39 |
| 索引 | 43 |

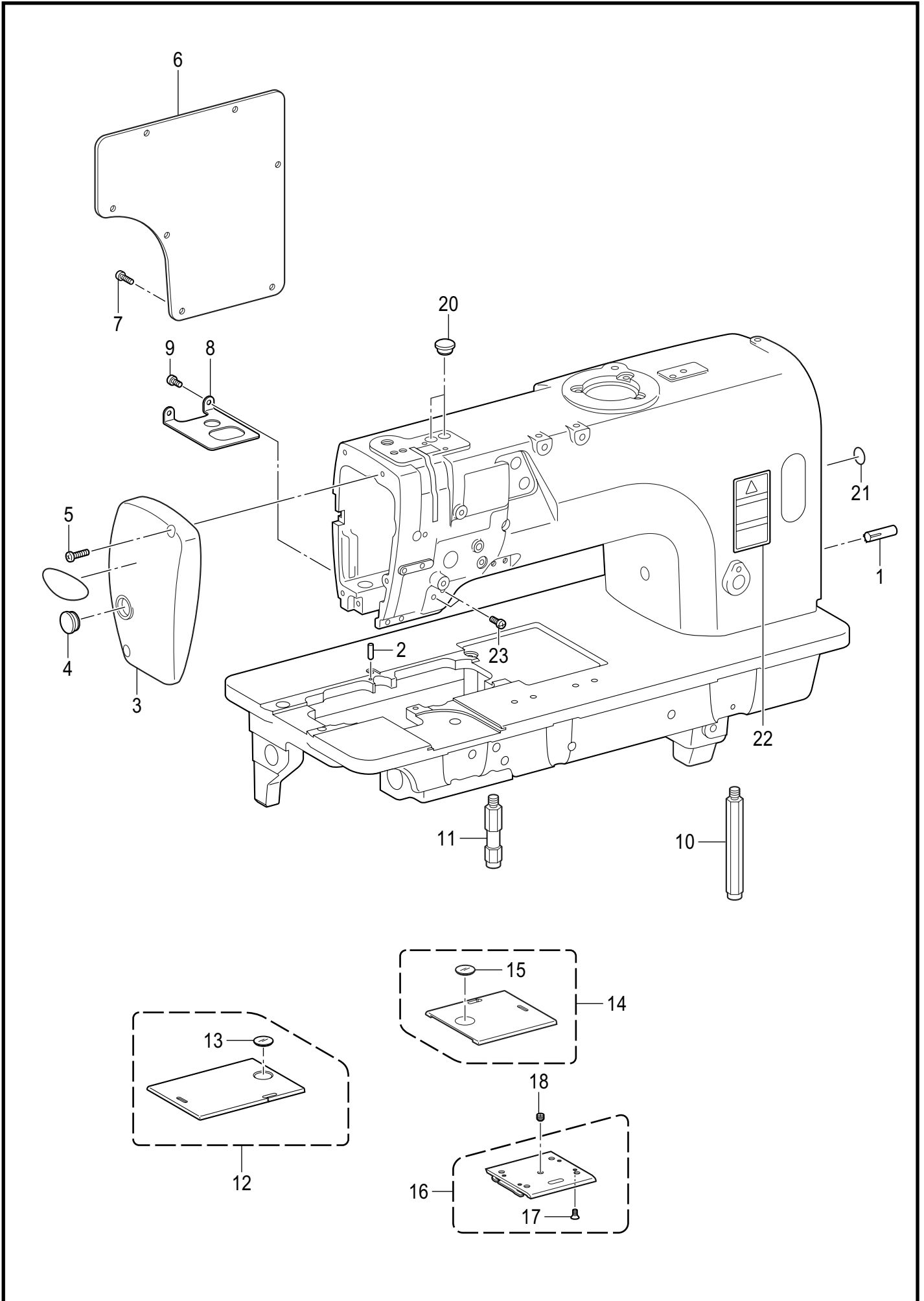
Notes for using this parts book

1. This book was prepared based on information available in April 2005.
2. Parts are subject to changes in design without prior notice.
3. Parts supplied as complete assemblies are circled by a dotted line .
4. If the symbol * is found in the " Parts No." column, refer to the different parts lists, gauge parts list on page 38 - 42.

CONTENTS

| | |
|---------------------------------------|----|
| A. Machine body | 1 |
| B. Upper shaft mechanism | 3 |
| C. Needle bar rocking mechanism | 5 |
| D. Needle bar flip-up mechanism | 9 |
| E. Presser foot mechanism | 11 |
| F. Feed mechanism | 13 |
| G. Feed shaft mechanism | 15 |
| J1. Rotary hook mechanism | 17 |
| J2. Rotary hook mechanism | 21 |
| H. Gauge parts | 21 |
| K. Lower shaft mechanism | 23 |
| L. Lubrication | 25 |
| M. Threading mechanism | 29 |
| N. Bobbin winder mechanism | 31 |
| Z1. Accessories | 33 |
| Z2. Accessories | 35 |
| Wa. Warning labels | 37 |
| Sp. Different parts list | 38 |
| Ga. Gauge parts list | 39 |
| Index | 43 |

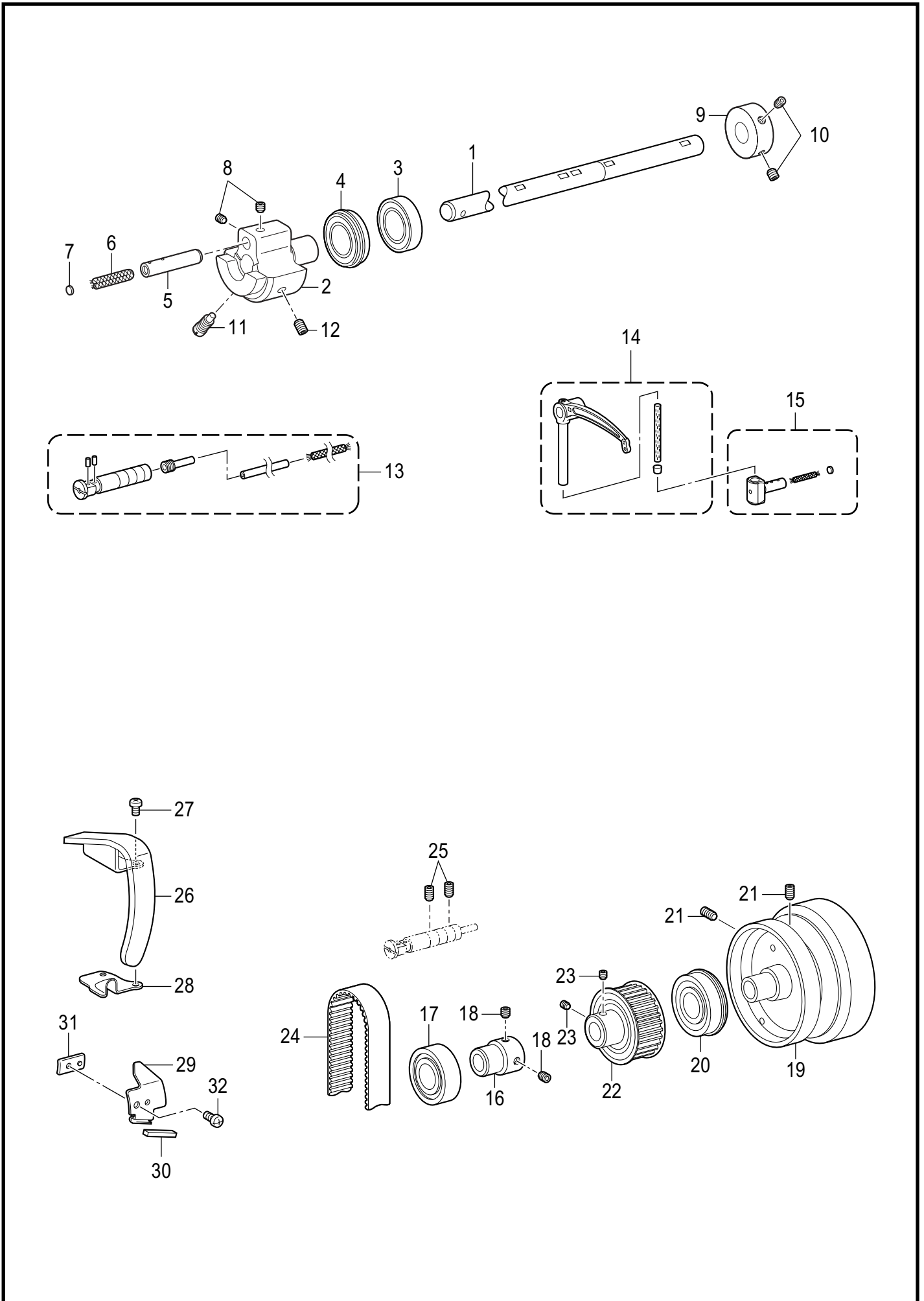
A . 主体関係 / Machine body



A. 主体関係 / Machine body

| REF.NO | CODE | Q'TY | 品名 | NAME OF PARTS | RM |
|--------|-----------|------|------------------------|--|----|
| 1 | 140063001 | 1 | ミゾツキピン | DOWEL PIN | |
| 2 | SA3924001 | 1 | ハリイタイチキメピン | POSITIONING PIN | |
| 3 | SA4364001 | 1 | メンイタ | FACE PLATE | |
| 4 | 104449001 | 1 | ゴムセン15.5 | RUBBER CAP, 15.5 | |
| 5 | 062501416 | 2 | ナベコ5X14 | SCREW PAN M5X14 | |
| 6 | SA2441001 | 1 | ガワイタ | REAR COVER | |
| 7 | 062501216 | 7 | ナベコ5X12 | SCREW PAN M5X12 | |
| 8 | SA4370101 | 1 | ダストプレート | DUST PROTECTOR | |
| 9 | 062500616 | 2 | ナベコ5X6 | SCREW PAN M5X6 | |
| 10 | SA2444101 | 1 | キヤクチュウL | BED LEG,L | |
| 11 | SA2445101 | 1 | キヤクチュウS | BED LEG,S | |
| 12 | SA2447001 | 1 | スベリイタLAクミ | SLIDE PLATE, LA ASSY | |
| 13 | SA2479001 | 1 | スベリイタマド | BOBBIN WINDOW | |
| 14 | SA2449001 | 1 | スベリイタRクミ | SLIDE PLATE ASSY, R | |
| 15 | SA2479001 | 1 | スベリイタマド | BOBBIN WINDOW | |
| 16 | S36663051 | 1 | スベリイタFクミ | SLIDE PLATE F ASSY | |
| 17 | S34438051 | 4 | サラネジ3.18X4 | SCREW, FLAT SM3.18-40X4 | |
| 18 | 116010001 | 1 | トメネジ5.16 | SET SCREW, SM5.16-40X4 | |
| 20 | SA2929001 | 2 | ゴムセン12.5 | RUBBER CAP, 12.5 | |
| 21 | S37060001 | 1 | ア-スマーク | LABEL, GROUNDING | |
| 22 | SA2040001 | 1 | <中国向以外> ラベルチュウイ.ワエイ | <For Except China> LABEL, CAUTION JPN/ENG | |
| 22 | SA2041001 | 1 | <中国向> ラベルチュウイ.チュウエイ | <For China only> LABEL, CAUTION CHN/ENG | |
| 23 | 062500816 | 2 | ナベコ5X8 | SCREW PAN M5X8 | |

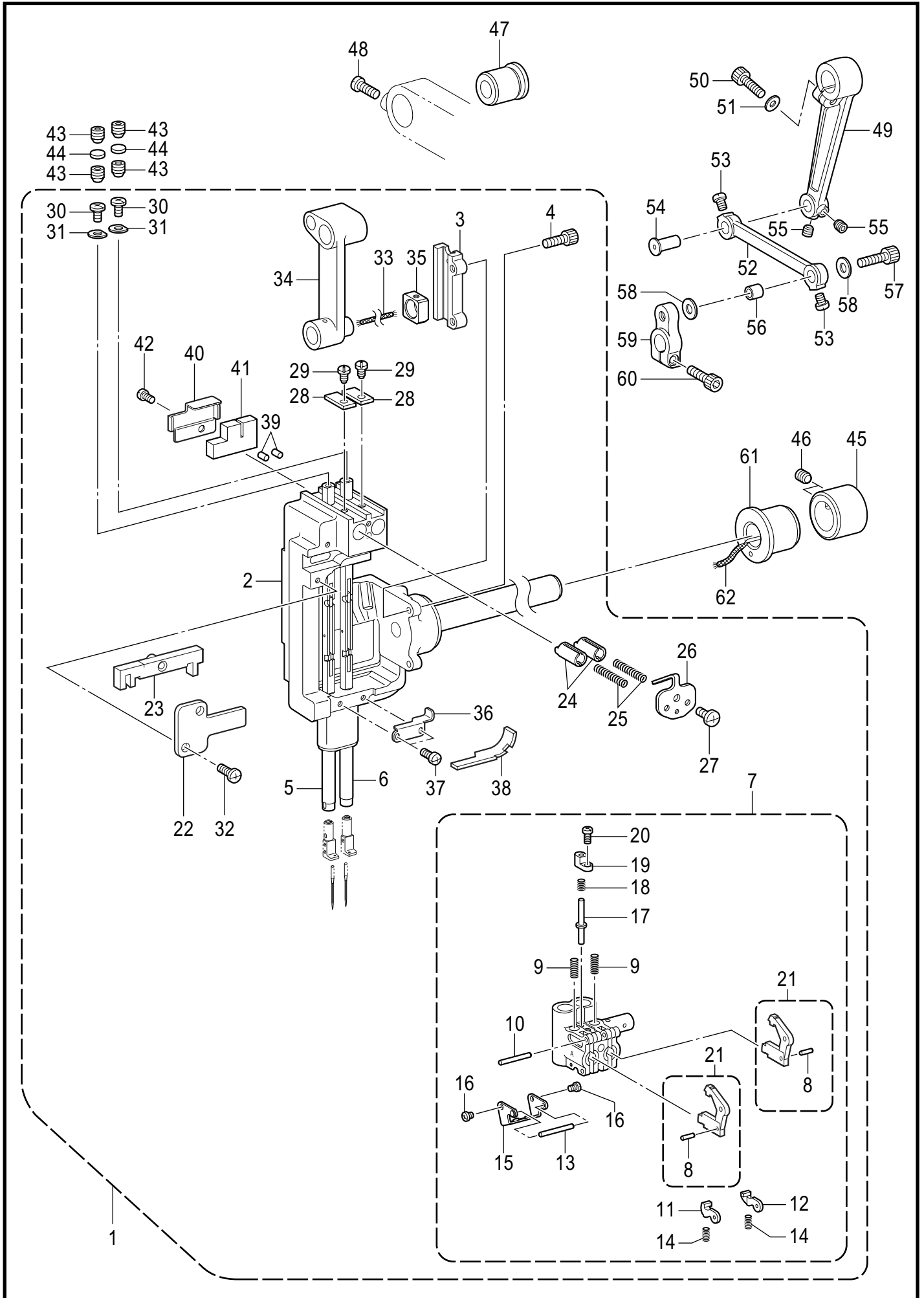
B. 上軸関係 / Upper shaft mechanism



B. 上軸関係 / Upper shaft mechanism

| REF.NO | CODE | Q'TY | 品名 | NAME OF PARTS | RM |
|--------|-----------|------|----------------|---------------------------------|----|
| 1 | SA4550001 | 1 | ウワジクST | UPPER SHAFT, ST | |
| 2 | SA4373001 | 1 | テンビンクランク | THREAD TAKE-UP CRANK | |
| 3 | S25234001 | 1 | タマジクウケ6004ZZ | BALL BEARING, 6004ZZ | |
| 4 | S38707001 | 1 | タマジクウケ6004ZZNR | BALL BEARING, 6004ZZNR | |
| 5 | SA6166001 | 1 | ハリボウクランクジク | CRANKSHAFT | |
| 6 | 117006001 | 1 | クミヒモ | WICK, L=60 | |
| 7 | 113014000 | 1 | クミヒモフタ | PUSHER | |
| 8 | S25260001 | 2 | アナヒラ6X5ホソメ | SET SCREW, SOCKET (FT) M6X5 | |
| 9 | SA1120001 | 1 | イトマキドウリン | BOBBIN WINDER DRIVING WHEEL | |
| 10 | S23651001 | 2 | アナヒラ6X6ホソメ | SET SCREW, SOCKET (FT) M6X6 | |
| 11 | S25235001 | 1 | シメネジ8 | SCREW, M8 | |
| 12 | S25236001 | 1 | アナヒラ6X10ホソメ | SET SCREW, SOCKET (FT) M6X10 | |
| 13 | SA2861001 | 1 | テンビンササエジクソウクミ | THREAD TAKE-UP S-SHAFT UNIT | |
| 14 | SA4368001 | 1 | テンビンL5-Lクミ | THREAD TAKE-UP LEVER ASSY, L5-L | |
| 15 | S13160001 | 1 | テンビンスベリコ2クミ | T-TAKE-UP SLIDE BLOCK ASSY, 2 | |
| 16 | SA2748001 | 1 | タマジクウケブツシュ | BALL BEARING BUSH | |
| 17 | 076023800 | 1 | Rタマジクウケ60/22ZZ | BALL BEARING RADIAL 60/22ZZ | |
| 18 | S23651001 | 2 | アナヒラ6X6ホソメ | SET SCREW, SOCKET (FT) M6X6 | |
| 19 | SA2750001 | 1 | プーリ | PULLY | |
| 20 | 158115001 | 1 | タマジクウケ6204ZZNR | BALL BEARING, 6204ZZNR | |
| 21 | 012061036 | 2 | アナヒラ6X10 | SET SCREW SOCKET (FT) M6X10 | |
| 22 | SA2720101 | 1 | タイミングプーリU STクミ | TIMING PULLEY ASSY, U ST | |
| 23 | SA4214001 | 2 | アナトメネジ6X6ホソメ | SET SCREW, SOCKET (CP) M6X6 | |
| 24 | SA2463001 | 1 | タイミングベルト | TIMING BELT | |
| 25 | 012061036 | 2 | アナヒラ6X10 | SET SCREW SOCKET (FT) M6X10 | |
| 26 | SA2469001 | 1 | テンビンカバー | THREAD TAKE-UP LEVER COVER | |
| 27 | 062500816 | 2 | ナベコ5X8 | SCREW PAN M5X8 | |
| 28 | SA4537001 | 1 | ダストカバー | DUST COVER | |
| 29 | SA4376101 | 1 | シャハイバン | SHELTER PLATE | |
| 30 | SA3065001 | 1 | フェルト | FELT | |
| 31 | SA3059101 | 1 | シャハイバンオサエ | HOLDER, SHELTER PLATE | |
| 32 | 062500816 | 1 | ナベコ5X8 | SCREW PAN M5X8 | |

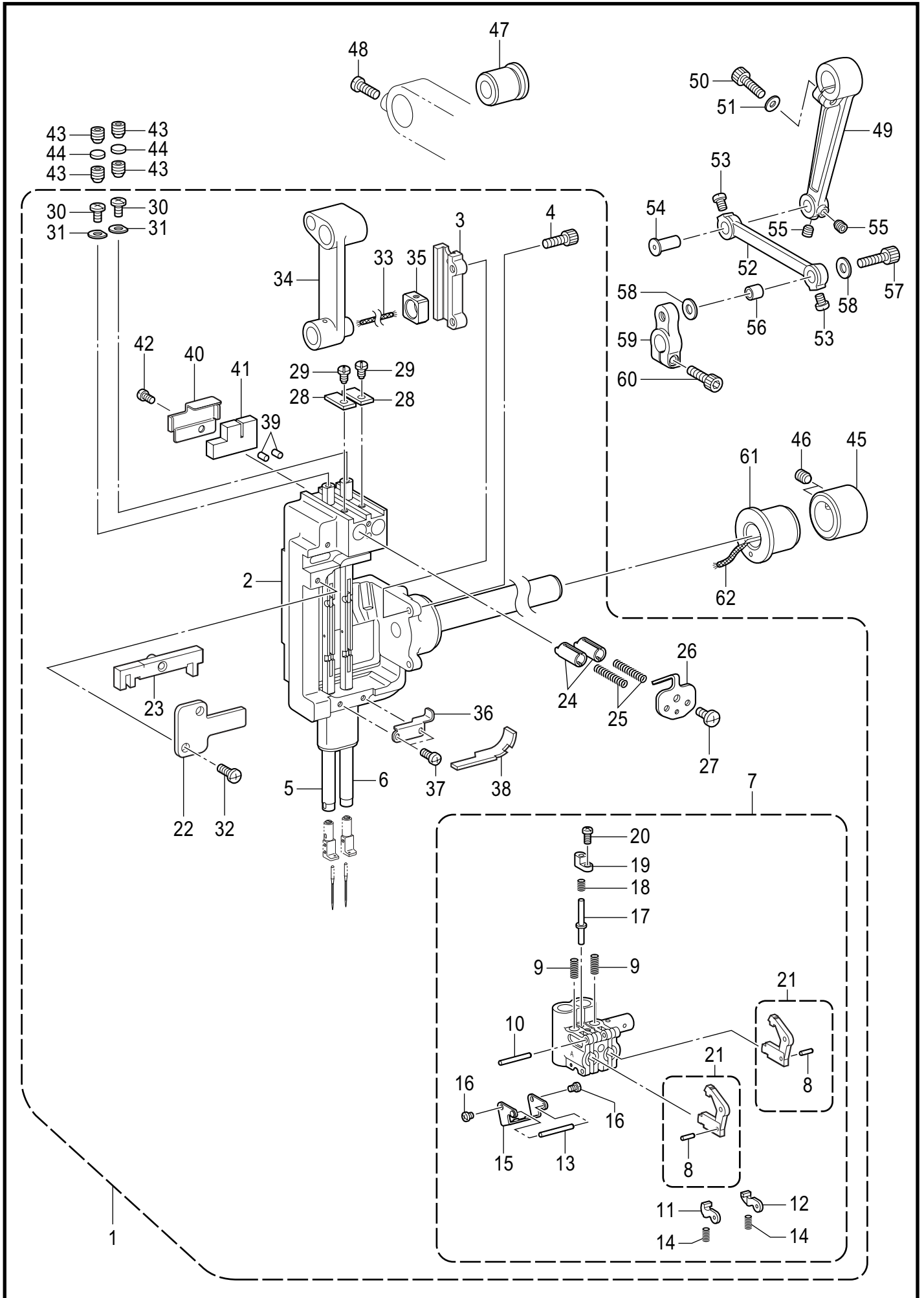
C . 針棒搖動關係 / Needle bar rocking mechanism



C. 針棒揺動関係 / Needle bar rocking mechanism

| REF.NO | CODE | Q'TY | 品名 | NAME OF PARTS | RM |
|--------|-----------|------|----------------|--|----|
| 1 | SA4377101 | 1 | ハリボウヨウドウジクミ | NEEDLE BAR ROCKER SHAFT ASSY | |
| 2 | SA4378001 | 1 | ハリボウダイクミ | NEEDLE BAR BASE ASSY | |
| 3 | SA2474201 | 1 | カクコマスライダ | SLIDE BLOCK SLIDER | |
| 4 | 018401036 | 2 | アナボルト4X10 | BOLT SOCKET M4X10 | |
| 5 | SA4382001 | 1 | ハリボウLクミ | NEEDLE BAR ASSY, L | |
| 6 | SA4385001 | 1 | ハリボウRクミ | NEEDLE BAR ASSY, R | |
| | | | 必ず記号を確認後注文のこと | Need check the "Mark" the above parts before ordering. | |
| 7 | SA4387001 | 1 | ハリボウダキクミ <記号A> | NEEDLE BAR CLAMP ASSY <Mark A> | |
| 7 | SA4387002 | 1 | ハリボウダキクミ <記号B> | NEEDLE BAR CLAMP ASSY <Mark B> | |
| 7 | SA4387003 | 1 | ハリボウダキクミ <記号C> | NEEDLE BAR CLAMP ASSY <Mark C> | |
| 8 | 149604001 | 2 | ピン1.5X5.8 | PIN, 1.5X5.8 | |
| 9 | 149605001 | 2 | クラツチテコバネ | SPRING, CLUTCH LEVER | |
| 10 | 149827001 | 1 | ピン2X15.8 | PIN, 2X15.8 | |
| 11 | S34561001 | 1 | クラツチトメL | CLUTCH STOPPER, L | |
| 12 | S34562001 | 1 | クラツチトメR | CLUTCH STOPPER, R | |
| 13 | 149608001 | 1 | ピン2X17.8 | PIN, 2X17.8 | |
| 14 | 112609001 | 2 | スベリイタストツパバネ | SPRING | |
| 15 | SA4391001 | 1 | バネササエ | SPRING HOLDER | |
| 16 | 062260316 | 2 | ナベコ26X3 | SCREW PAN M2.6X3 | |
| 17 | 149610001 | 1 | リリースピン | PIN | |
| 18 | 149611101 | 1 | リリースピンバネ | SPRING, RELEASE PIN | |
| 19 | SA4392001 | 1 | リリースピンフタ | PIN COVER | |
| 20 | 062260516 | 1 | ナベコ26X5 | SCREW PAN M2.6X5 | |
| 21 | SA4389001 | 2 | クラツチテコクミ | CLUTCH LEVER ASSY | |
| 22 | SA4395001 | 1 | スベリコアンナイイタ | SLIDE BLOCK GUIDE PLATE | |
| | | | 必ず記号を確認後注文のこと | Need check the "Mark" the above parts before ordering. | |
| 23 | S07575000 | 1 | スベリコクミ <記号25> | SLIDE BLOCK ASSY, 25 <Mark 25> | |
| 23 | S07575001 | 1 | スベリコクミ <記号30> | SLIDE BLOCK ASSY, 30 <Mark 30> | |
| 23 | S07575002 | 1 | スベリコクミ <記号35> | SLIDE BLOCK ASSY, 35 <Mark 35> | |
| 23 | S07575003 | 1 | スベリコクミ <記号40> | SLIDE BLOCK ASSY, 40 <Mark 40> | |
| 23 | S07575004 | 1 | スベリコクミ <記号45> | SLIDE BLOCK ASSY, 45 <Mark 45> | |
| 23 | S07575005 | 1 | スベリコクミ <記号50> | SLIDE BLOCK ASSY, 50 <Mark 50> | |
| 23 | S07575006 | 1 | スベリコクミ <記号55> | SLIDE BLOCK ASSY, 55 <Mark 55> | |
| 23 | S07575007 | 1 | スベリコクミ <記号60> | SLIDE BLOCK ASSY, 60 <Mark 60> | |
| 23 | S07575008 | 1 | スベリコクミ <記号65> | SLIDE BLOCK ASSY, 65 <Mark 65> | |
| 23 | S07575009 | 1 | スベリコクミ <記号70> | SLIDE BLOCK ASSY, 70 <Mark 70> | |
| 23 | S07575010 | 1 | スベリコクミ <記号75> | SLIDE BLOCK ASSY, 75 <Mark 75> | |
| 23 | S07575011 | 1 | スベリコクミ <記号80> | SLIDE BLOCK ASSY, 80 <Mark 80> | |
| 24 | SA4583001 | 2 | ハリボウストツパー | STOPPER, N-BAR | |
| 25 | 149622001 | 2 | ハリボウストツパーバネ | SPRING, N-BAR STOPPER | |
| 26 | SA4396001 | 1 | バネフタ | SPRING COVER | |
| 27 | 060350616 | 1 | バインド35X6 | SCREW BIND M3.5X6 | |
| 28 | SA4397001 | 2 | ハリボウマワリトメ | ROTATE STOPPER, N-BAR | |
| 29 | SA4398001 | 2 | シメネジ3.5 | SCREW, SM3.5 | |
| 30 | 060350616 | 2 | バインド35X6 | SCREW BIND M3.5X6 | |
| 31 | SA4399001 | 2 | ザガネ | WASHER, PLANE | |
| 32 | 062350816 | 2 | ナベコ35X8 | SCREW PAN M3.5X8 | |
| 33 | 112728001 | 1 | クミヒモ | WICK, L=50 | |
| 34 | SA4393101 | 1 | ハリボウクランクロツド | CRANK ROD, N-BAR | |
| 35 | SA4394001 | 1 | カクコマ | SLIDE BLOCK | |
| 36 | SA4401001 | 1 | フェルトオサエD | FELT SUPPORT, D | |
| 37 | 062350516 | 2 | ナベコ35X5 | SCREW PAN M3.5X5 | |
| 38 | SA4400001 | 1 | フェルト | FELT | |
| 39 | 107155001 | 2 | フェルト | FELT | |
| 40 | SA5155001 | 1 | フェルトササエ | FELT SUPPORT | |
| 41 | SA5237101 | 1 | フェルト | FELT | |
| 42 | 062350516 | 1 | ナベコ35X5 | SCREW PAN M3.5X5 | |

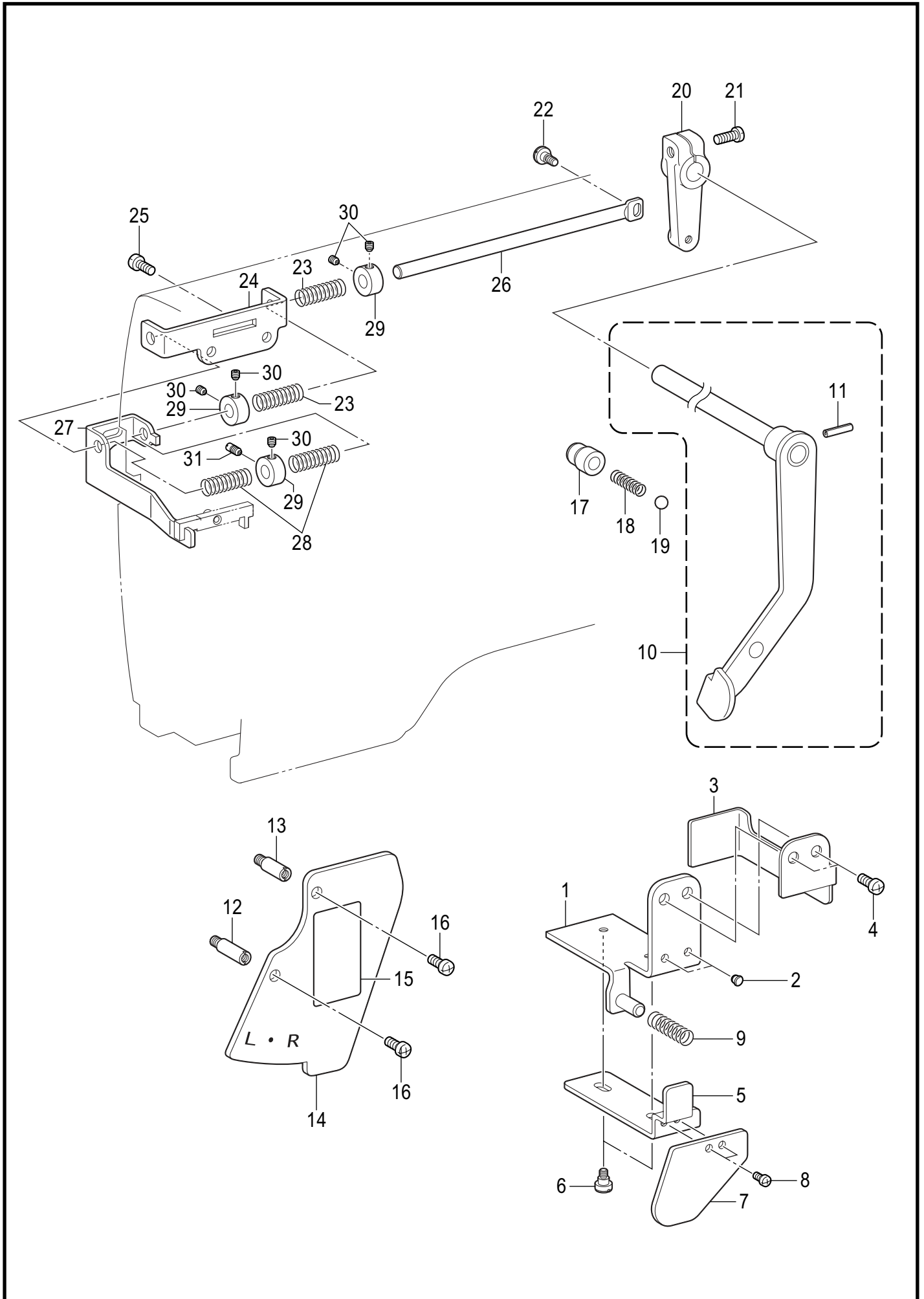
C . 針棒搖動關係 / Needle bar rocking mechanism



C. 針棒揺動関係 / Needle bar rocking mechanism

| REF.NO | CODE | Q'TY | 品名 | NAME OF PARTS | RM |
|--------|-----------|------|-------------|------------------------------|----|
| 43 | 014080831 | 4 | アナクボミ8X8 | SET SCREW SOCKET (CP) M8X8 | |
| 44 | 154567000 | 2 | カンザ5.3 | SPACER, 5.3 | |
| 45 | SA2485001 | 1 | セットカラー | SET SCREW COLLAR | |
| 46 | S25260001 | 2 | アナヒラ6X5ホソメ | SET SCREW, SOCKET (FT) M6X5 | |
| 47 | SA2486101 | 1 | ヨウドウジクメタルR | BUSH, R | |
| 48 | 062061616 | 1 | ナベコ6X16 | SCREW PAN M6X16 | |
| 49 | SA2489001 | 1 | ハリボウヨウドウレバー | NEEDLE BAR ROCKER LEVER ASSY | |
| 50 | 018062032 | 1 | アナボルト6X20 | BOLT SOCKET M6X20 | |
| 51 | 118735002 | 1 | ザガネ | WASHER | |
| 52 | SA2490101 | 1 | ハリボウヨウドウリンク | ROCKER LINK, N-BAR | |
| 53 | S23460001 | 2 | ナベコ6X5 | SCREW, PAN M6X5 | |
| 54 | SA4117001 | 1 | ヨウドウリンクジクP | LINK SHAFT, N-BAR ROCKER P | |
| 55 | 012060636 | 2 | アナヒラ6X6 | SET SCREW SOCKET (FT) M6X6 | |
| 56 | SA4118001 | 1 | ヨウドウリンクカラーP | ZIGZAG LINK BUSH, P | |
| 57 | 018062532 | 1 | アナボルト6X25 | BOLT SOCKET M6X25 | |
| 58 | SA2493001 | 2 | ザガネ | WASHER, PLAIN | |
| 59 | SA2494001 | 1 | ハリボウヨウドウウデ | NEEDLE BAR ROCK ARM | |
| 60 | 018062032 | 1 | アナボルト6X20 | BOLT SOCKET M6X20 | |
| 61 | SA5332001 | 1 | ヨウドウジクメタルL | BUSH, L | |
| 62 | S48204000 | 1 | クミヒモ4X4 | WICK, 4X4 L=150 | |

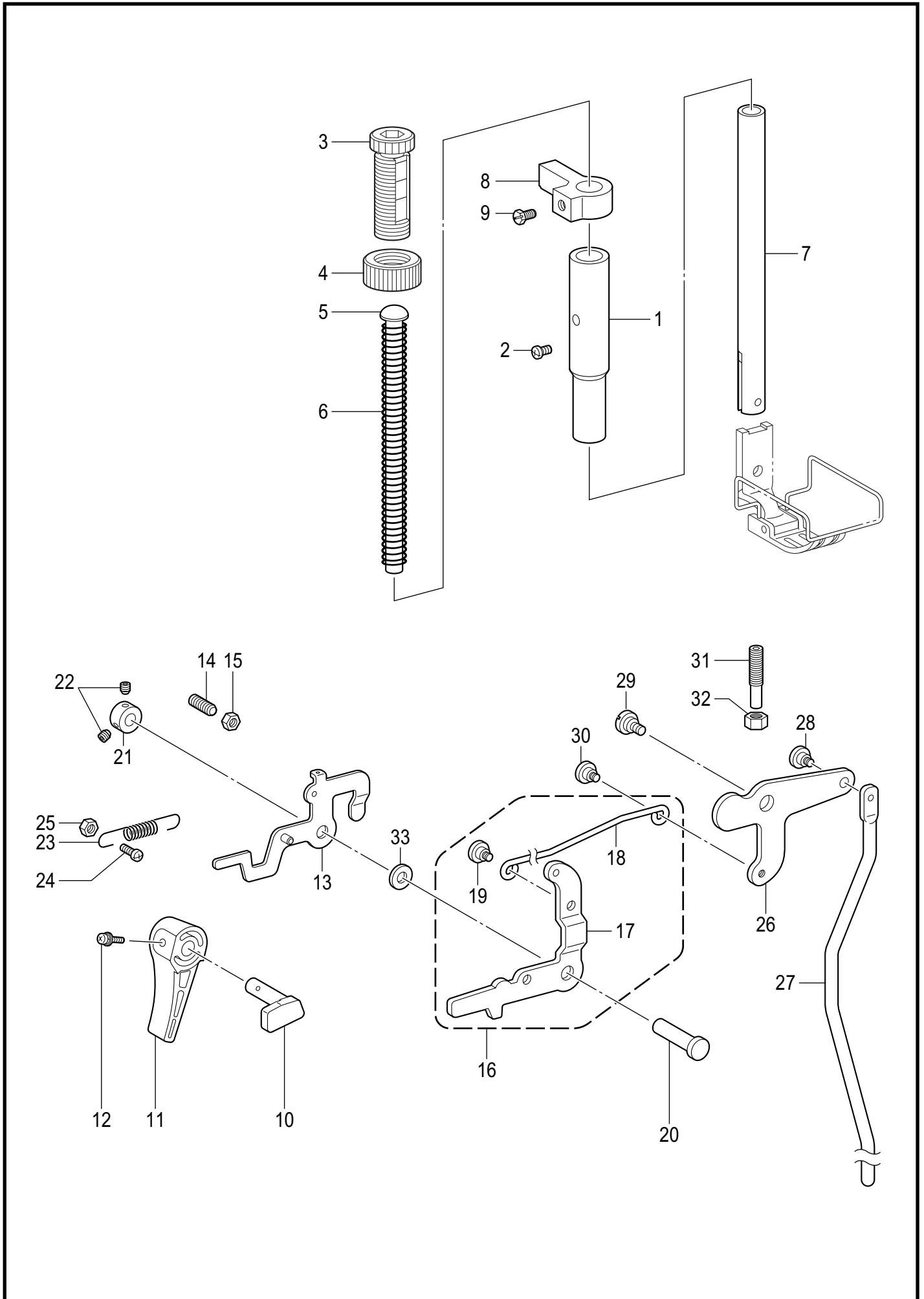
D. 針棒切換操作關係 / Needle bar flip-up mechanism



D. 針棒切替操作関係 / Needle bar flip-up mechanism

| REF.NO | CODE | Q'TY | 品名 | NAME OF PARTS | RM |
|--------|-----------|------|----------------------------|-----------------------------|----|
| 1 | SA4402001 | 1 | シジイタクミ | INDICATION PLATE ASSY | |
| 2 | 104833001 | 2 | ゴムセン4.3 | RUBBER CAP, 4.3 | |
| 3 | SA5336001 | 1 | シジイタカバー | HOLDER PLATE COVER | |
| 4 | 062501016 | 2 | ナベコ5X10 | SCREW PAN M5X10 | |
| 5 | SA4404001 | 1 | プツシユレバー | PUSH LEVER | |
| 6 | SA4441001 | 2 | ダンネジM4 | SHOULDER SCREW, M4 | |
| 7 | SA4405001 | 1 | プツシユレバーイタ | PLATE, PUSH LEVER | |
| 8 | 062350516 | 2 | ナベコ35X5 | SCREW PAN M3.5X5 | |
| 9 | SA5333001 | 1 | プツシユレバーバネ | SPRING | |
| 10 | SA4406001 | 1 | ストツブレバージククミ | STOP LEVER SHAFT ASSY | |
| 11 | 047301842 | 1 | スプリングピンAW3 | PIN SPRING ROLL AW3 | |
| 12 | SA4408001 | 1 | スタツドL | STUD, L | |
| 13 | SA4409001 | 1 | スタツドS | STUD, S | |
| 14 | SA4411101 | 1 | キリカエシジイタ | FLIP-UP HOLDER PLATE | |
| 15 | S18964001 | 1 | <中国向以外> キリカエシジイタラベル.ワエイ | <For Except China> LABEL | |
| 15 | SA4419001 | 1 | <中国向> キリカエシジイタラベル.チュウエイ | <For China only> LABEL | |
| 16 | 062500816 | 2 | ナベコ5X8 | SCREW PAN M5X8 | |
| 17 | SA4412001 | 1 | タマアンナイブツシユ | BALL GUIDE BUSH | |
| 18 | 150820001 | 1 | タマオシバネ | SPRING | |
| 19 | 071063550 | 1 | コウキユウ1/4 | BEARING BALL, 1/4 | |
| 20 | SA4413001 | 1 | レバージクウデ | ARM, LEVER SHAFT | |
| 21 | 062501416 | 1 | ナベコ5X14 | SCREW PAN M5X14 | |
| 22 | SA5588001 | 1 | ダンネジM4 | SHOULDER SCREW, M4 | |
| 23 | SA4414001 | 2 | レバージクウデバネ | SPRING | |
| 24 | SA4415001 | 1 | スライドジクウケ | SLIDE SHAFT BRACKET | |
| 25 | 062500816 | 2 | ナベコ5X8 | SCREW PAN M5X8 | |
| 26 | S07588101 | 1 | スライドジク | SLIDE SHAFT | |
| 27 | SA4416001 | 1 | スライドジクウケイタ | SUPPORT PLATE, SLIDE SHAFT | |
| 28 | 149863001 | 2 | ジクウケイタバネ | SPRING, PLATE | |
| 29 | SA4417001 | 3 | セットカラー | SET SCREW COLLAR | |
| 30 | 014400432 | 5 | アナクボミ4X4 | SET SCREW SOCKET (CP) M4X4 | |
| 31 | SA4418001 | 1 | アンナイネジ | GUIDE SCREW | |

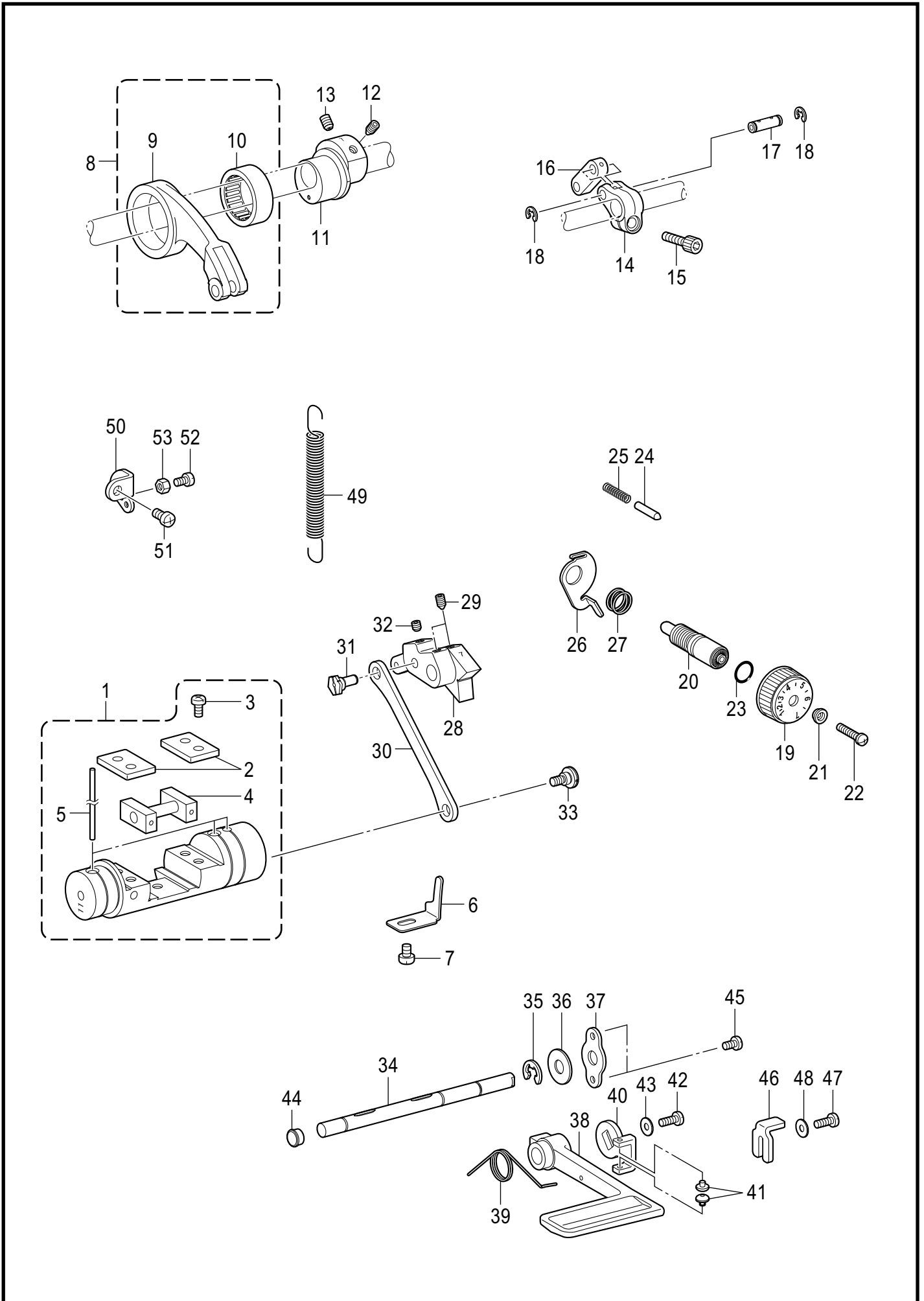
E . 押え関係 / Presser foot mechanism



E. 押え関係 / Presser foot mechanism

| REF.NO | CODE | Q'TY | 品名 | NAME OF PARTS | RM |
|--------|-----------|------|---------------|------------------------------|----|
| 1 | SA2495001 | 1 | オサエボウメタル | PRESSER BAR BUSH | |
| 2 | 062500816 | 1 | ナベコ5X8 | SCREW PAN M5X8 | |
| 3 | SA1174001 | 1 | オサエチヨウセツネジM14 | PRESSER ADJUSTING SCREW, M14 | |
| 4 | SA1175001 | 1 | チヨウセツネジナツトM14 | ADJUST SCREW NUT | |
| 5 | 141208001 | 1 | オサエバネアンナイ | SPRING GUIDE | |
| 6 | S07346101 | 1 | オサエバネ | PRESSER BAR SPRING, -5 | |
| 7 | SA2496001 | 1 | オサエボウ | PRESSER BAR | |
| 8 | SA2498001 | 1 | オサエボウダキ | GUIDE BRACKET, P-BAR | |
| 9 | S25289001 | 1 | ボルト6 | BOLT, (CP) M6X10 | |
| 10 | SA2499001 | 1 | オサエアゲクランク | PRESSER BAR LIFTING CRANK | |
| 11 | S31006001 | 1 | オサエアゲテコ | LIFTING LEVER | |
| 12 | S39051001 | 1 | ナベザクミ35X12 | SCREW, PAN (S/P W) M3.5X12 | |
| 13 | S07353001 | 1 | イトユルメイタクミ | TENSION RELEASE PLATE ASSY | |
| 14 | 012061832 | 1 | アナヒラ6X18 | SET SCREW, SOCKET (FT) M6X18 | |
| 15 | 021060306 | 1 | 3シュナツト6 | NUT 3 M6 | |
| 16 | SA2500001 | 1 | ヒザアゲレンカクミ | KNEE LIFTER C-ROD ASSY | |
| 17 | SA2501001 | 1 | オサエアゲレバー | PRESSER BAR LIFTING LEVER | |
| 18 | SA2502001 | 1 | ヒザアゲレンカン | KNEE LIFTER CONNECTING ROD | |
| 19 | SA1179001 | 1 | ダンネジ5 | SHOULDER SCREW, M5 | |
| 20 | S07349001 | 1 | オサエアゲレバージク | P-BAR LIFTING LEVER SHAFT | |
| 21 | SA2504001 | 1 | セットカラー | SET SCREW COLLAR | |
| 22 | 012500536 | 2 | アナヒラ5X5 | SET SCREW SOCKET (FT) M5X5 | |
| 23 | S07355051 | 1 | オサエアゲレバーバネ | SPRING, EXTENSION | |
| 24 | 062501216 | 1 | ナベコ5X12 | SCREW PAN M5X12 | |
| 25 | 021500106 | 1 | 1シュナツト5 | NUT 1 M5 | |
| 26 | SA2506001 | 1 | ヒザアゲレバー | KNEE LIFTER LEVER | |
| 27 | SA2507001 | 1 | ヒザアゲボウ | KNEE LIFTER BAR | |
| 28 | SA1179001 | 1 | ダンネジ5 | SHOULDER SCREW, M5 | |
| 29 | SA2165001 | 1 | ダンネジ6 | SHOULDER SCREW, M6 | |
| 30 | SA1179001 | 1 | ダンネジ5 | SHOULDER SCREW, M5 | |
| 31 | SA4149101 | 1 | チヨウセツネジ6 | ADJUSTING SCREW, 6 | |
| 32 | 021060306 | 1 | 3シュナツト6 | NUT 3 M6 | |
| 33 | S07350001 | 1 | ザガネ | WASHER,PLAIN | |

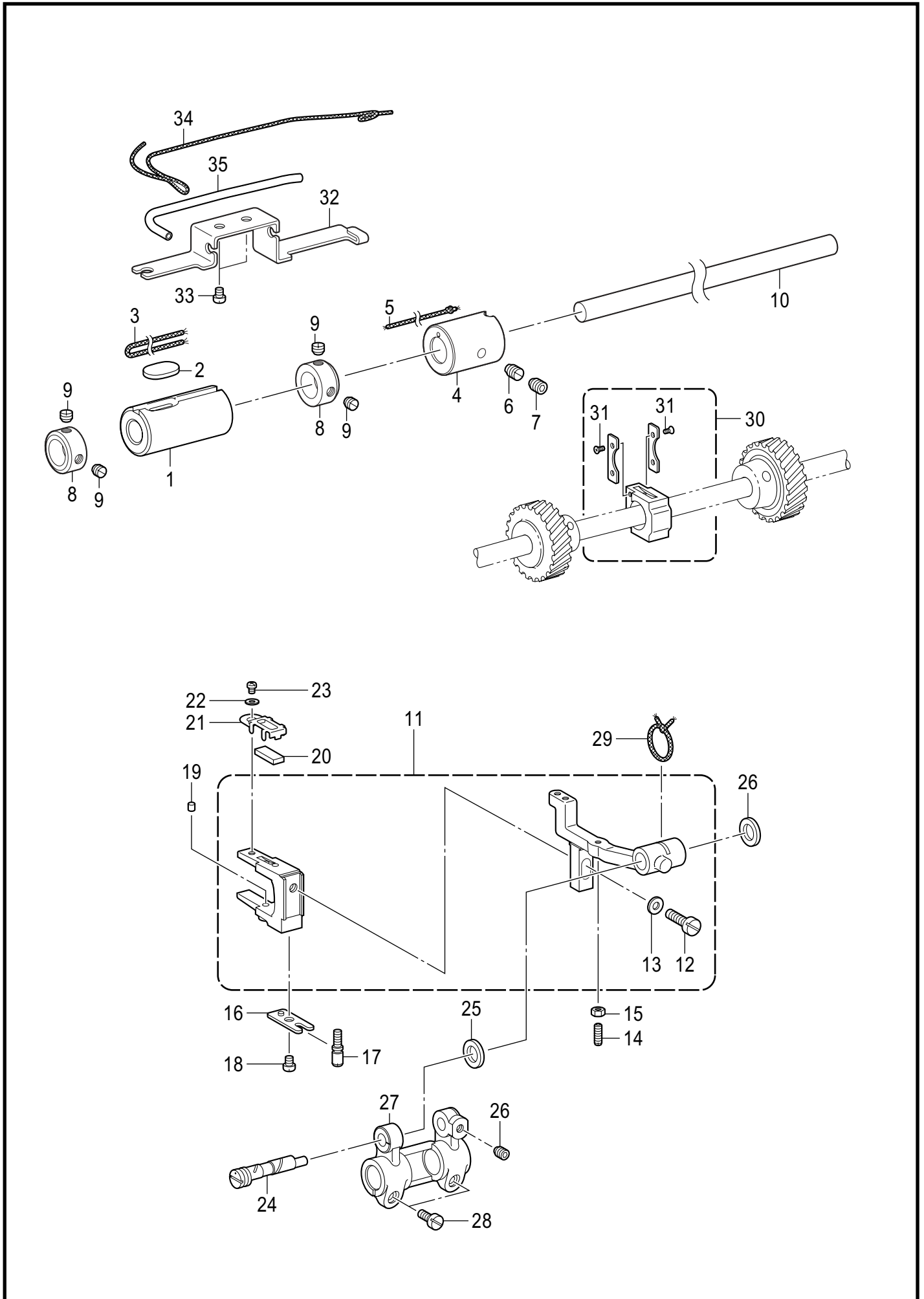
F. 送り関係 / Feed mechanism



F. 送り関係 / Feed mechanism

| REF.NO | CODE | Q'TY | 品名 | NAME OF PARTS | RM |
|--------|-----------|------|---------------|------------------------------|----|
| 1 | SA3062001 | 1 | キリカエキ11クミ | FEED REGULATOR ASSY, 11 | |
| 2 | SA2511001 | 2 | カクコマアンナイタ | GUIDE PLATE | |
| 3 | 062501016 | 4 | ナベコ5X10 | SCREW PAN M5X10 | |
| 4 | SA2512001 | 1 | キリカエキカクコマクミ | SLIDE BLOCK ASSY | |
| 5 | SA2515001 | 3 | フェルト | FELT | |
| 6 | SA2516001 | 1 | キリカエキトメ | STOPEER | |
| 7 | 062060816 | 1 | ナベコ6X8 | SCREW PAN M6X8 | |
| 8 | 143611201 | 1 | スイヘイオクリレンカンクミ | F-ROCKER CONNECTING ROD ASSY | |
| 9 | 143612100 | 1 | スイヘイオクリレンカン | FEED ROCKER CONNECTING ROD | |
| 10 | 118954000 | 1 | ニードルベアリング | NEEDLE BEARING | |
| 11 | SA2791001 | 1 | スイヘイヘンシンリン7 | LEVEL FEED ECCENTRIC WHEEL 7 | |
| 12 | SA2585001 | 1 | アナトガリ6X10ホソメ | SET SCREW, SOCKET (FT) M6 | |
| 13 | S25236001 | 1 | アナヒラ6X10ホソメ | SET SCREW, SOCKET (FT) M6X10 | |
| 14 | SA2793001 | 1 | スイヘイオクリウデ7 | FEED ROCKER ARM 7 | |
| 15 | 018062032 | 1 | アナボルト6X20 | BOLT SOCKET M6X20 | |
| 16 | 143613051 | 1 | スイヘイオクリウデリンク | LINK | |
| 17 | 143616001 | 1 | スイヘイオクリウデジク | SHAFT | |
| 18 | 048060342 | 2 | トメワE6 | RETAINING RING E6 | |
| 19 | S38428001 | 1 | オクリメモリダイヤル | STITCH LENGTH DIAL, 7 | |
| 20 | SA3056001 | 1 | オクリチヨウセツネジ | FEED REGULATING STUD | |
| 21 | 142746002 | 1 | メモリイタオサエ | FEED REGULATING SUPPORTER | |
| 22 | 129458102 | 1 | シメネジ4.76 | SCREW, SM4.76 | |
| 23 | 108549001 | 1 | Oリング | O RING | |
| 24 | S50098101 | 1 | メモリイチギメピン | POSITIONING PIN | |
| 25 | 100328001 | 1 | メモリイチキメピンバネ | NOTCH SPRING | |
| 26 | SA2523001 | 1 | ダイヤルロックレバー | DIAL LOCK LEVER | |
| 27 | S39830101 | 1 | ダイヤルロックレバーバネ | SPRING | |
| 28 | SA2796001 | 1 | オクリチヨウセツキ7 | FEED REGULATOR 7 | |
| 29 | 016061031 | 2 | アナトガリ6X10 | SET SCREW SOCKET (CN) M6X10 | |
| 30 | SA2526001 | 1 | キリカエキレンカン | CONNECTING ROD | |
| 31 | SA2527001 | 1 | ヘンシンジク | ECCENTRIC SHAFT | |
| 32 | 012060636 | 1 | アナヒラ6X6 | SET SCREW SOCKET (FT) M6X6 | |
| 33 | SA2528101 | 1 | ダンネジ6 | SHOULDER SCREW, M6 | |
| 34 | SA2529101 | 1 | カエシヌイレバージクTR | SHAFT, R-LEVER TR | |
| 35 | 048080342 | 1 | トメワE8 | RETAINING RING E8 | |
| 36 | 025100132 | 1 | ヒラザガネショウ10 | WASHER PLAIN S 10 | |
| 37 | SA2530001 | 1 | カンザ | SPACER | |
| 38 | S07374109 | 1 | カエシヌイレバー | REVERSE STITCHING LEVER | |
| 39 | SA2531001 | 1 | カエシヌイレバーオサエバネ | SPRING | |
| 40 | SA3067001 | 1 | レバーガイド | LEVER GUIDE | |
| 41 | S48367000 | 2 | レバーガイドゴム | RUBBER | |
| 42 | 062501216 | 1 | ナベコ5X12 | SCREW PAN M5X12 | |
| 43 | 025050336 | 1 | ヒラザガネダイ5 | WASHER PLAIN L 5 | |
| 44 | 104821001 | 1 | ゴムセン10.5 | RUBBER CAP, 10.5 | |
| 45 | 062500816 | 2 | ナベコ5X8 | SCREW PAN M5X8 | |
| 46 | SA2532001 | 1 | ハンドルストツパ | STOPPER | |
| 47 | 062501216 | 1 | ナベコ5X12 | SCREW PAN M5X12 | |
| 48 | 025050236 | 1 | ヒラザガネチュウ5 | WASHER PLAIN M 5 | |
| 49 | S07376101 | 1 | キリカエキバネ | FEED REGULATOR SPRING | |
| 50 | SA2533001 | 1 | バネカケ | SPRING HOOK | |
| 51 | 062060816 | 1 | ナベコ6X8 | SCREW PAN M6X8 | |
| 52 | 062501216 | 1 | ナベコ5X12 | SCREW PAN M5X12 | |
| 53 | 021500106 | 1 | 1シュナット5 | NUT 1 M5 | |

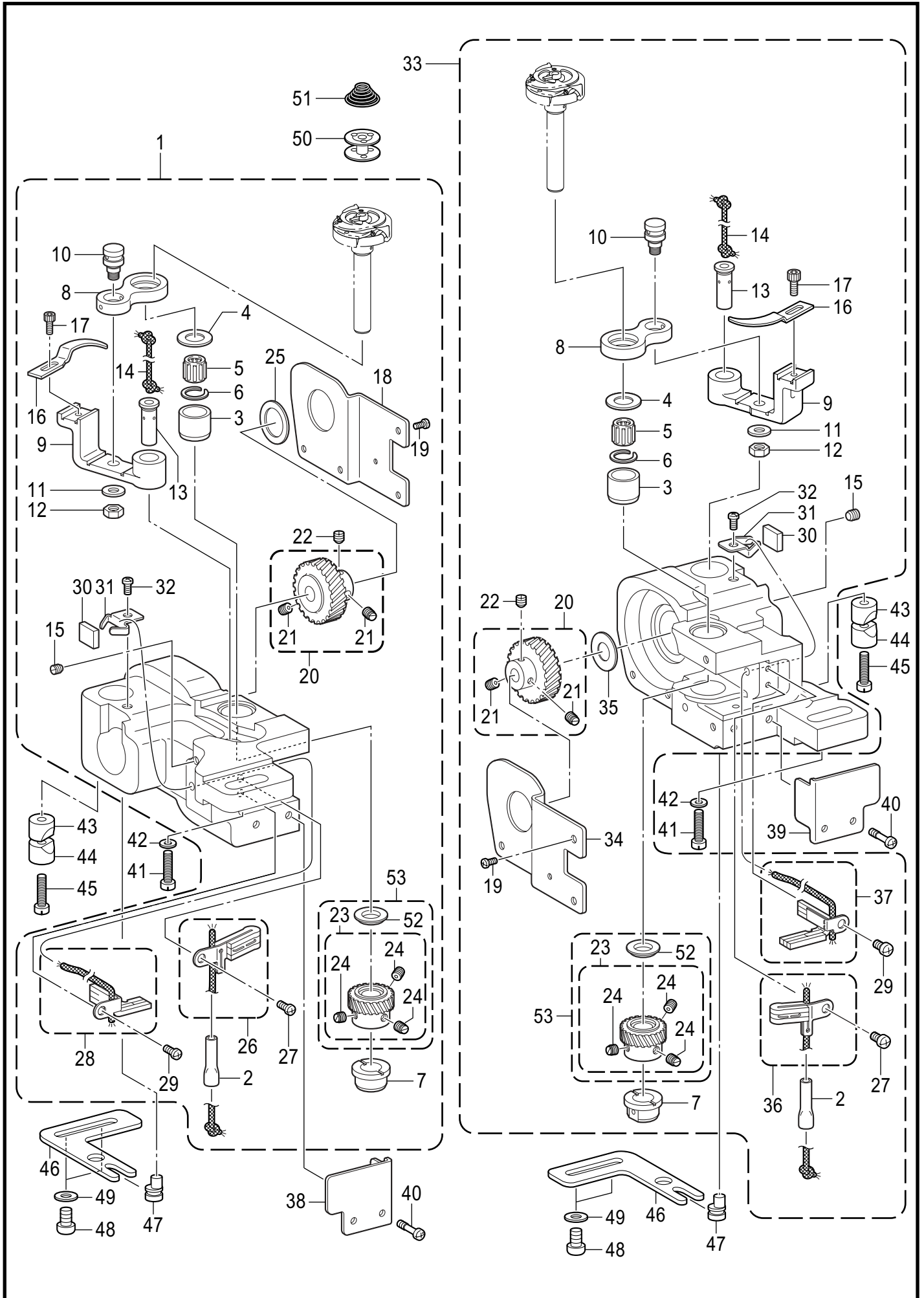
G . 送り軸関係 / Feed shaft mechanism



G. 送り軸関係 / Feed shaft mechanism

| REF.NO | CODE | Q'TY | 品名 | NAME OF PARTS | RM |
|--------|-----------|------|---------------|-----------------------------|----|
| 1 | SA3855001 | 1 | オクリジクメタルL | BUSH,L:F-ROCKER SHAFT | |
| 2 | SA3965001 | 1 | フェルト | FELT | |
| 3 | SA4028001 | 1 | クミヒモ4X4 L=220 | WICK, 4X4 L=220 | |
| 4 | SA2543001 | 1 | オクリジクメタルR | FEED ROCKER SHAFT BUSH, R | |
| 5 | 108802001 | 1 | クミヒモ4X4 | WICK, 4X4 L=250 | |
| 6 | SA2544001 | 1 | トメネジM6 | SET SCREW M6 | |
| 7 | 012060636 | 1 | アナヒラ6X6 | SET SCREW SOCKET (FT) M6X6 | |
| 8 | SA2546001 | 2 | セツカラー | SET SCREW COLLAR | |
| 9 | S23651001 | 4 | アナヒラ6X6ホソメ | SET SCREW, SOCKET (FT) M6X6 | |
| 10 | SA3840001 | 1 | スイヘイオクリジク | FEED ROCKER SHAFT | |
| 11 | SA6152001 | 1 | オクリダイSTフタマタクミ | FEED BAR ST FORK ASSY | |
| 12 | SA2927001 | 1 | シメネジM6X14 | SCREW, M6X14 | |
| 13 | 025060132 | 1 | ヒラザガネシヨウ6 | WASHER PLAIN S 6 | |
| 14 | SA2566001 | 1 | トメネジ3.5 | SET SCREW, M3.5 | |
| 15 | 021350106 | 1 | 1シュナット35 | NUT 1 M3.5 | |
| 16 | SA2553001 | 1 | フタマタプレート | FORKED PLATE | |
| 17 | SA2554001 | 1 | タカサチヨウセツネジ | ADJUSTING SCREW ,HIGHT | |
| 18 | 062400616 | 1 | ナベコ4X6 | SCREW PAN M4X6 | |
| 19 | SA3990001 | 1 | フェルト | FELT | |
| 20 | SA3887001 | 1 | フェルト | FELT | |
| 21 | SA3888001 | 1 | フェルトオサエ | FELT HOLDER | |
| 22 | 025030132 | 1 | ヒラザガネシヨウ3 | WASHER PLAIN S 3 | |
| 23 | 062300416 | 1 | ナベコ3X4 | SCREW PAN M3X4 | |
| 24 | SA2550001 | 1 | オクリダイトリツケジク | FEED BAR SHAFT | |
| 25 | SA2551001 | 2 | スラストリング | THRUST RING | |
| 26 | 012060636 | 1 | アナヒラ6X6 | SET SCREW SOCKET (FT) M6X6 | |
| 27 | SA2555001 | 1 | スイヘイオクリダイウデ | FEED ROCKER BASE ARM | |
| 28 | SA2928001 | 2 | シメネジM5X12 | SCREW, M5X12 | |
| 29 | SA4538001 | 1 | クミヒモ3X3 L=200 | WICK, 3X3 L=200 | |
| 30 | SA2806001 | 1 | オクリダイカクコマクミ | FEED BAR SLIDE BLOCK ASSY | |
| 31 | SA6308001 | 4 | 0サラコ3シュ2X4 | SCREW, FLAT #0 M2X4 | |
| 32 | SA4009001 | 1 | クミヒモササエ | WICK SUPPORT | |
| 33 | 062400616 | 2 | ナベコ4X6 | SCREW PAN M4X6 | |
| 34 | SA2724001 | 1 | クミヒモ | WICK, L=400 | |
| 35 | SA4011001 | 1 | ビニルチューブ L=100 | OIL TUBE, L=100 | |

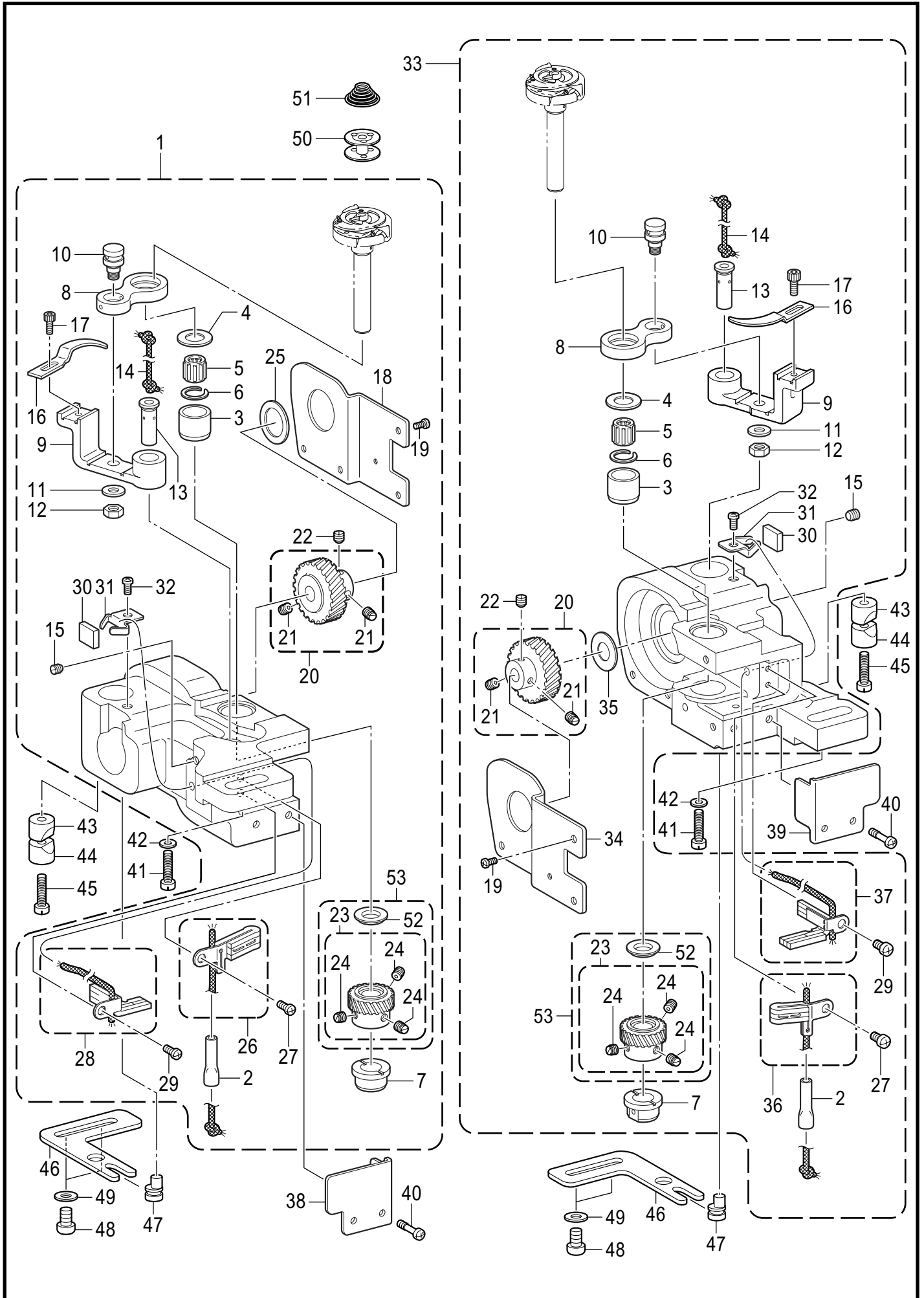
J1. かま関係 / Rotary hook mechanism



J1. かま関係 / Rotary hook mechanism

| REF.NO | CODE | Q'TY | 品名 | NAME OF PARTS | RM |
|--------|-----------|------|--------------------|--------------------------------|----|
| 1 | SA4437101 | 1 | カマドダイ875ST(L)クミ | ROTARY HOOK BASE ASSY,875ST(L) | |
| 2 | SA3961001 | 1 | パイプ | PIPE | |
| 3 | S09259001 | 1 | カマジクメタルU | ROTARY HOOK BUSH, U | |
| 4 | S09260001 | 1 | スラストリングA <t=1.2> | THRUST RING, A :1.2MM <t=1.2> | |
| 4 | SA4038001 | 1 | スラストリング <t=1.0> | THRUST RING <t=1.0> | |
| 4 | S09261001 | 1 | スラストリングB <t=1.4> | THRUST RING, B :1.4MM <t=1.4> | |
| 4 | SA4444001 | 1 | スラストリング0.8 <t=0.8> | THRUST RING 0.8MM <t=0.8> | |
| 5 | S07420000 | 1 | ニードルベアリング | NEEDLE BEARING | |
| 6 | S07419001 | 1 | ストツブリング | RETAINING RING | |
| 7 | SA2557001 | 1 | カマジクメタルD | ROTARY HOOK SHAFT BUSH | |
| 8 | SA3857001 | 1 | オープナーリンク | OPENER LINK | |
| 9 | SA3861001 | 1 | オープナーレバー | OPENER LEVER | |
| 10 | SA2560001 | 1 | オープナーリンクジク | SHAFT, O-LINK | |
| 11 | 025710132 | 1 | ヒラザガネシヨウ4.76 | WASHER PLAIN S SM4.76 | |
| 12 | 021500316 | 1 | 3シュナット5 | NUT 3 M5 | |
| 13 | SA3889101 | 1 | オープナーレバージク | O-LEVER SHAFT | |
| 14 | SA4026001 | 1 | クミヒモ4X4 L=100 | WICK, 4X4 L=100 | |
| 15 | 012500536 | 1 | アナヒラ5X5 | SET SCREW SOCKET (FT) M5X5 | |
| 16 | S38212001 | 1 | オープナー | OPENER | |
| 17 | 154965001 | 1 | アナボルト3.57X8 | BOLT, SOCKET SM3.57X8 | |
| 18 | SA2562101 | 1 | カマドダイカバーL | ROTARY HOOK BASE COVER, L | |
| 19 | 062300612 | 4 | ナベコ3X6 | SCREW PAN M3X6 | |
| 20 | SA4549001 | 1 | スパイラルギア ネジツキ | SPIRAL GEAR SCREW ASSY | |
| 21 | SA2574001 | 2 | トメネジM6ホソメ | SET SCREW, (FT) M6 | |
| 22 | SA2575001 | 1 | トメネジM6ホソメ | SET SCREW, (FT) M6 | |
| 23 | SA6301001 | 1 | ピニオン ネジツキ | PINION GEAR SCREW ASSY | |
| 24 | SA2574001 | 3 | トメネジM6ホソメ | SET SCREW, (FT) M6 | |
| 25 | SA3054001 | 1 | スラストザガネL | THRUST WASHER, L | |
| 26 | SA4042001 | 1 | フェルトULクミ | FELT UL ASSY | |
| 27 | 062400616 | 1 | ナベコ4X6 | SCREW PAN M4X6 | |
| 28 | SA4044001 | 1 | フェルトDLクミ | FELT DL ASSY | |
| 29 | 062400616 | 1 | ナベコ4X6 | SCREW PAN M4X6 | |
| 30 | SA4012001 | 1 | フェルト | FELT | |
| 31 | SA3894001 | 1 | フェルトオサエ | FELT SUPPORT | |
| 32 | 062400616 | 1 | ナベコ4X6 | SCREW PAN M4X6 | |
| 52 | SA6294001 | 1 | スラストリング | THRUST RING | |
| 53 | SA6307001 | 1 | ピニオンセット | PINION GEAR SET | |
| 33 | SA4438101 | 1 | カマドダイ875ST(R)クミ | ROTARY HOOK BASE ASSY,875ST(R) | |
| 2 | SA3961001 | 1 | パイプ | PIPE | |
| 3 | S09259001 | 1 | カマジクメタルU | ROTARY HOOK BUSH, U | |
| 4 | S09260001 | 1 | スラストリングA <t=1.2> | THRUST RING, A :1.2MM <t=1.2> | |
| 4 | SA4038001 | 1 | スラストリング <t=1.0> | THRUST RING <t=1.0> | |
| 4 | S09261001 | 1 | スラストリングB <t=1.4> | THRUST RING, B :1.4MM <t=1.4> | |
| 4 | SA4444001 | 1 | スラストリング0.8 <t=0.8> | THRUST RING 0.8MM <t=0.8> | |
| 5 | S07420000 | 1 | ニードルベアリング | NEEDLE BEARING | |
| 6 | S07419001 | 1 | ストツブリング | RETAINING RING | |
| 7 | SA2557001 | 1 | カマジクメタルD | ROTARY HOOK SHAFT BUSH | |
| 8 | SA3857001 | 1 | オープナーリンク | OPENER LINK | |
| 9 | SA3861001 | 1 | オープナーレバー | OPENER LEVER | |
| 10 | SA2560001 | 1 | オープナーリンクジク | SHAFT, O-LINK | |
| 11 | 025710132 | 1 | ヒラザガネシヨウ4.76 | WASHER PLAIN S SM4.76 | |
| 12 | 021500316 | 1 | 3シュナット5 | NUT 3 M5 | |
| 13 | SA3889101 | 1 | オープナーレバージク | O-LEVER SHAFT | |
| 14 | SA4026001 | 1 | クミヒモ4X4 L=100 | WICK, 4X4 L=100 | |
| 15 | 012500536 | 1 | アナヒラ5X5 | SET SCREW SOCKET (FT) M5X5 | |
| 16 | S38212001 | 1 | オープナー | OPENER | |
| 17 | 154965001 | 1 | アナボルト3.57X8 | BOLT, SOCKET SM3.57X8 | |
| 34 | SA2563101 | 1 | カマドダイカバーR | ROTARY HOOK BASE COVER, R | |
| 19 | 062300612 | 4 | ナベコ3X6 | SCREW PAN M3X6 | |
| 20 | SA4549001 | 1 | スパイラルギア ネジツキ | SPIRAL GEAR SCREW ASSY | |
| 21 | SA2574001 | 2 | トメネジM6ホソメ | SET SCREW, (FT) M6 | |
| 22 | SA2575001 | 1 | トメネジM6ホソメ | SET SCREW, (FT) M6 | |

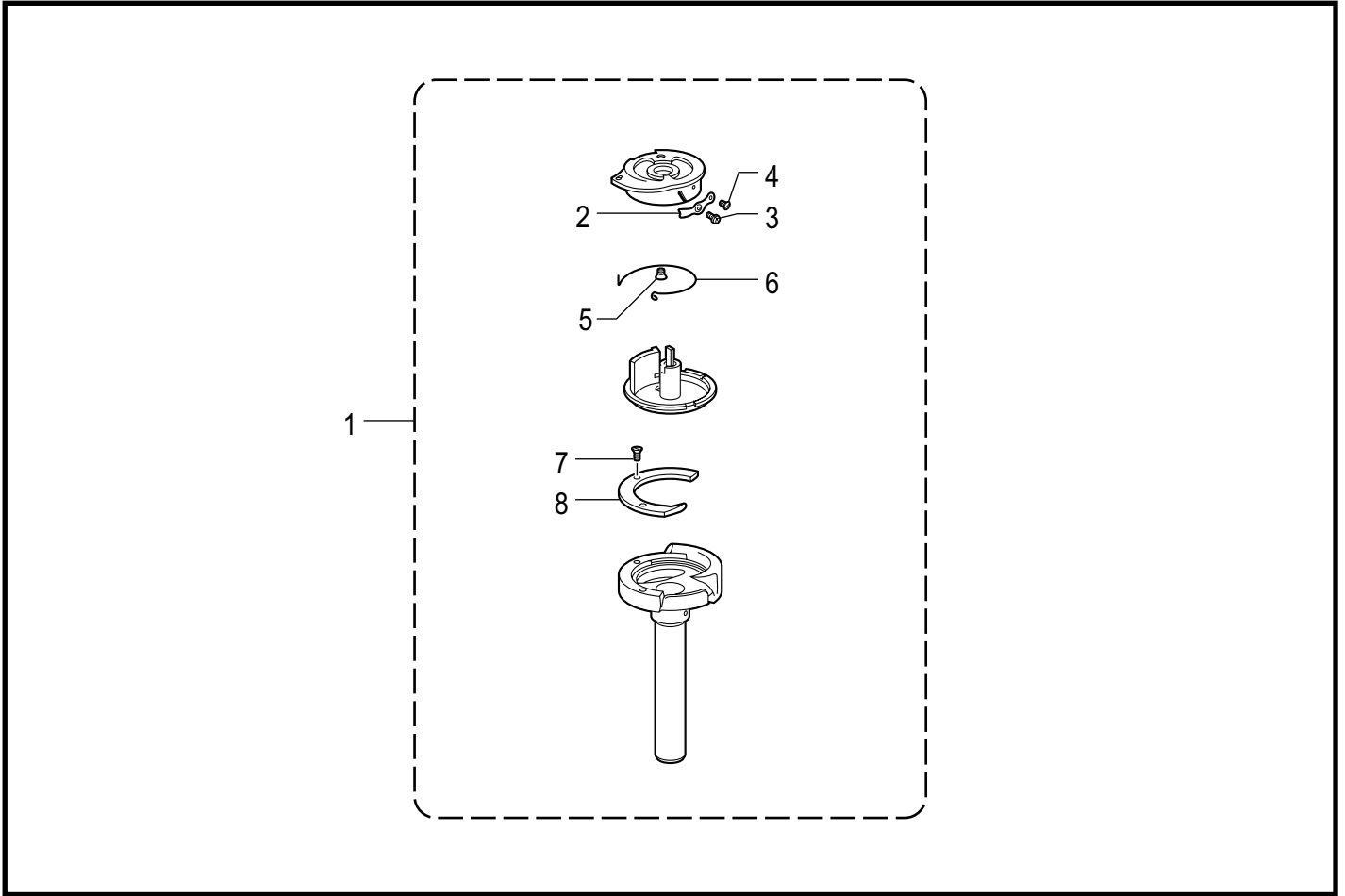
J1. かま関係 / Rotary hook mechanism



J1. かま関係 / Rotary hook mechanism

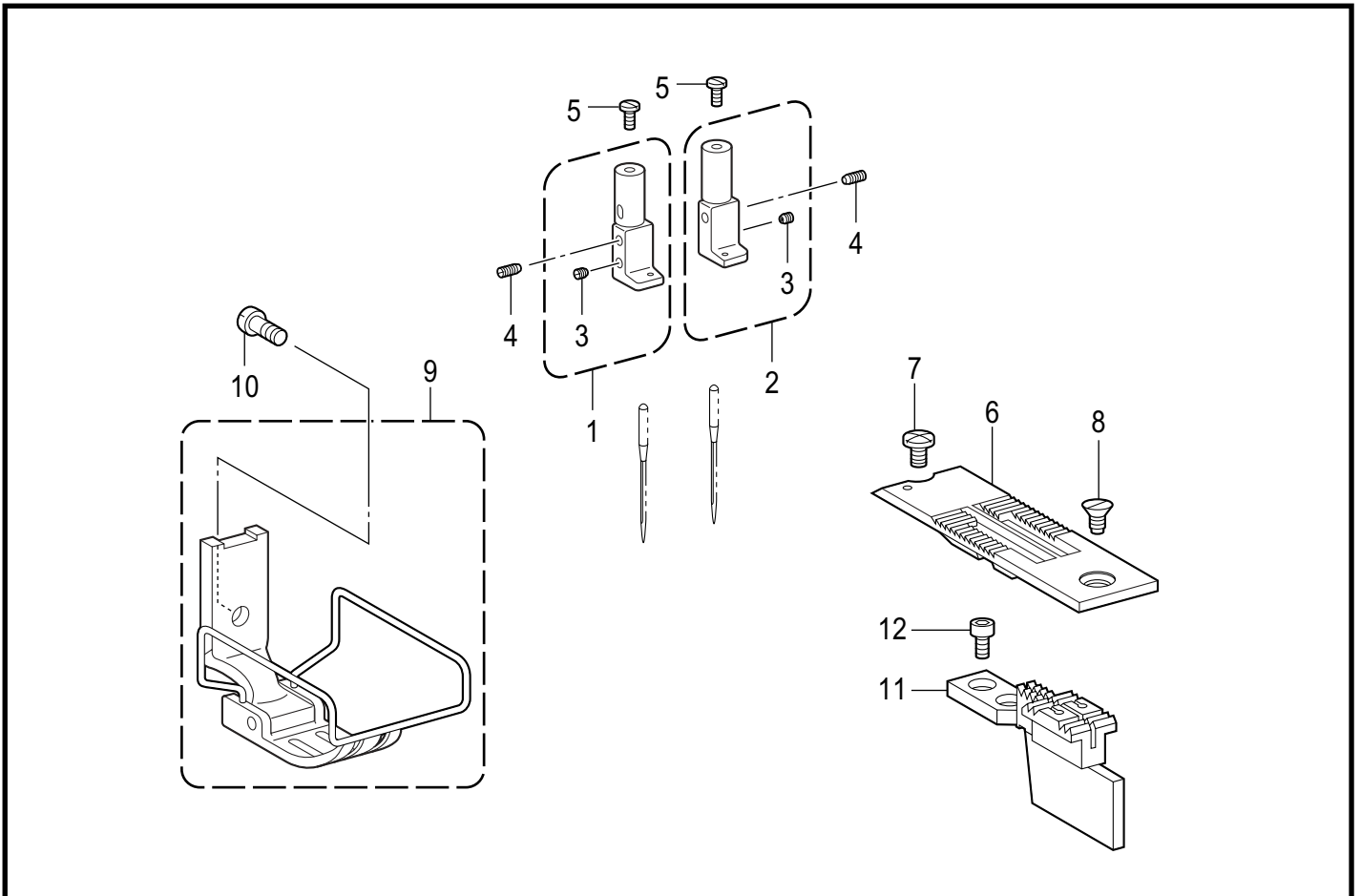
| REF.NO | CODE | Q'TY | 品名 | NAME OF PARTS | RM |
|--------|-----------|------|-------------|--------------------------------|----|
| 23 | SA6301001 | 1 | ピニオン ネジツキ | PINION GEAR SCREW ASSY | |
| 24 | SA2574001 | 3 | トメネジM6ホソメ | SET SCREW, (FT) M6 | |
| 35 | SA2579001 | 1 | スラストザガネ | SPECER | |
| 36 | SA4043001 | 1 | フェルトURクミ | FELT UR ASSY | |
| 27 | 062400616 | 1 | ナベコ4X6 | SCREW PAN M4X6 | |
| 37 | SA4045001 | 1 | フェルトDRクミ | FELT DR ASSY | |
| 29 | 062400616 | 1 | ナベコ4X6 | SCREW PAN M4X6 | |
| 30 | SA4012001 | 1 | フェルト | FELT | |
| 31 | SA3894001 | 1 | フェルトオサエ | FELT SUPPORT | |
| 32 | 062400616 | 1 | ナベコ4X6 | SCREW PAN M4X6 | |
| 52 | SA6294001 | 1 | スラストリング | THRUST RING | |
| 53 | SA6307001 | 1 | ピニオンセット | PINION GEAR SET | |
| 38 | SA3988001 | 1 | カマダイカバ-FL | ROTARY HOOK BASE COVER, FL | |
| 39 | SA3916001 | 1 | カマダイカバ-FR | ROTARY HOOK BASE COVER, FR | |
| 40 | SA2825001 | 4 | シメネジM3X12 | SCREW, M3X12 | |
| 41 | SA2556001 | 2 | シメネジM6X25 | SCREW, M6X25 | |
| 42 | 115947001 | 2 | ザガネ | WASHER, PLAIN 6.35 | |
| 43 | SA2722001 | 2 | ピンチスリーブA | PINCH SLEEVE A | |
| 44 | SA2565001 | 2 | ピンチスリーブB | PINCH SLEEVE B | |
| 45 | SA2556001 | 2 | シメネジM6X25 | SCREW, M6X25 | |
| 46 | SA2567001 | 2 | ハリスキチヨウセツイタ | NEEDLE UPPER ADJUSTING PLATE | |
| 47 | SA2568001 | 2 | ハリスキチヨウセツジク | NEEDLE UPPER POSITIONING SHAFT | |
| 48 | 062061016 | 4 | ナベコ6X10 | SCREW PAN M6X10 | |
| 49 | 025060136 | 4 | ヒラザガネシヨウ6 | WASHER PLAIN S 6 | |
| 50 | S01928151 | 2 | ボビン | BOBBIN | |
| 51 | 156557001 | 2 | クウテンボウシバネ | ANTI-SPIN SPRING | |

J2 . かま関係 / Rotary hook mechanism



T-8750B-301

H . ゲージ関係 / Gauge parts



T-8750B-231

J2. かま関係 / Rotary hook mechanism

| REF.NO | CODE | Q'TY | 品名 | NAME OF PARTS | RM |
|---|-----------|------|-------------|--------------------------|----|
| 1 | * | 1 | カマハコクミ | ROTARY HOOK BOX ASSY | |
| 2 | 151025001 | 1 | チヨウシバネ | TENSION SPRING | |
| 3 | S01567001 | 1 | チヨウシネジ | TENSION ADJUSTING SCREW | |
| 4 | S01568001 | 1 | チヨウシバネトメネジ | SET SCREW | |
| 5 | 151035001 | 1 | タルミトリバネトメネジ | SET SCREW | |
| 6 | 151034001 | 1 | シタイトタルミトリバネ | TENSION SPRING | |
| 7 | 151027001 | 2 | ウチカマオサエトメネジ | SET SCREW | |
| 8 | S07746001 | 1 | ウチカマオサエ | INNER ROTARY HOOK HOLDER | |
| <p>* については、仕様別部品一覧表(P.38)でお調べください。 As for symbol * look it up in the different parts list on page 38.</p> | | | | | |

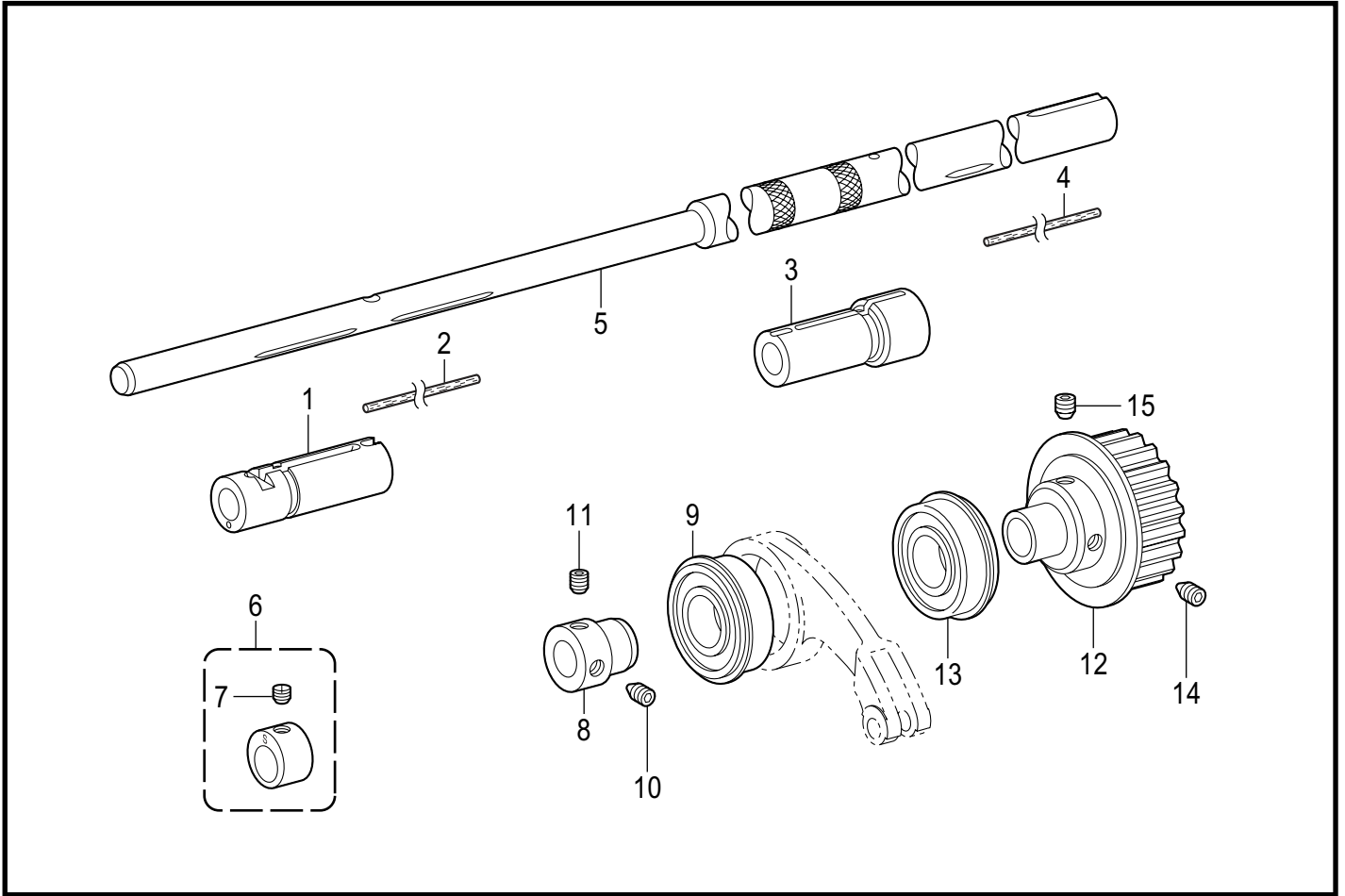
T-8750B-301

H. ゲージ関係 / Gauge parts

| REF.NO | CODE | Q'TY | 品名 | NAME OF PARTS | RM |
|--|-----------|------|----------------|--------------------------|----|
| 1 | * | 1 | ハリダキLクミ | NEEDLE CLAMP ASSY,L | |
| 2 | * | 1 | ハリダキRクミ | NEEDLE CLAMP ASSY,R | |
| 3 | 013660412 | 2 | トメクボミ3.18-40X4 | NEEDLE PLATE | |
| 4 | S13085001 | 2 | トメネジ3.18 | SET SCREW, SM3.18 | |
| 5 | 149831101 | 2 | アタマツキトメネジ3.18 | SET SCREW, SM3.18 | |
| 6 | * | 1 | ハリイタ | NEEDLE PLATE | |
| 7 | S11244001 | 1 | シメネジ4.37 | SCREW, SM4.37 | |
| 8 | 100032004 | 1 | サラネジ4.37 | SCREW, FLAT SM4.37-40X8 | |
| 9 | * | 1 | オサエクミ | PRESSER FOOT ASSY | |
| 10 | 113050001 | 1 | シメネジ3.57 | SCREW, SM3.57 | |
| 11 | * | 1 | オクリバ | FEED DOG | |
| 12 | S07494001 | 2 | シメネジ3.18 | SCREW, W/SOCKET SM3.18X7 | |
| <p>* については、ゲージ部品一覧表(P.39-42)でお調べください。 As for symbol * look it up in the gauge parts list on page 39-42 .</p> | | | | | |

T-8750B-231

K . 下軸関係 / Lower shaft mechanism

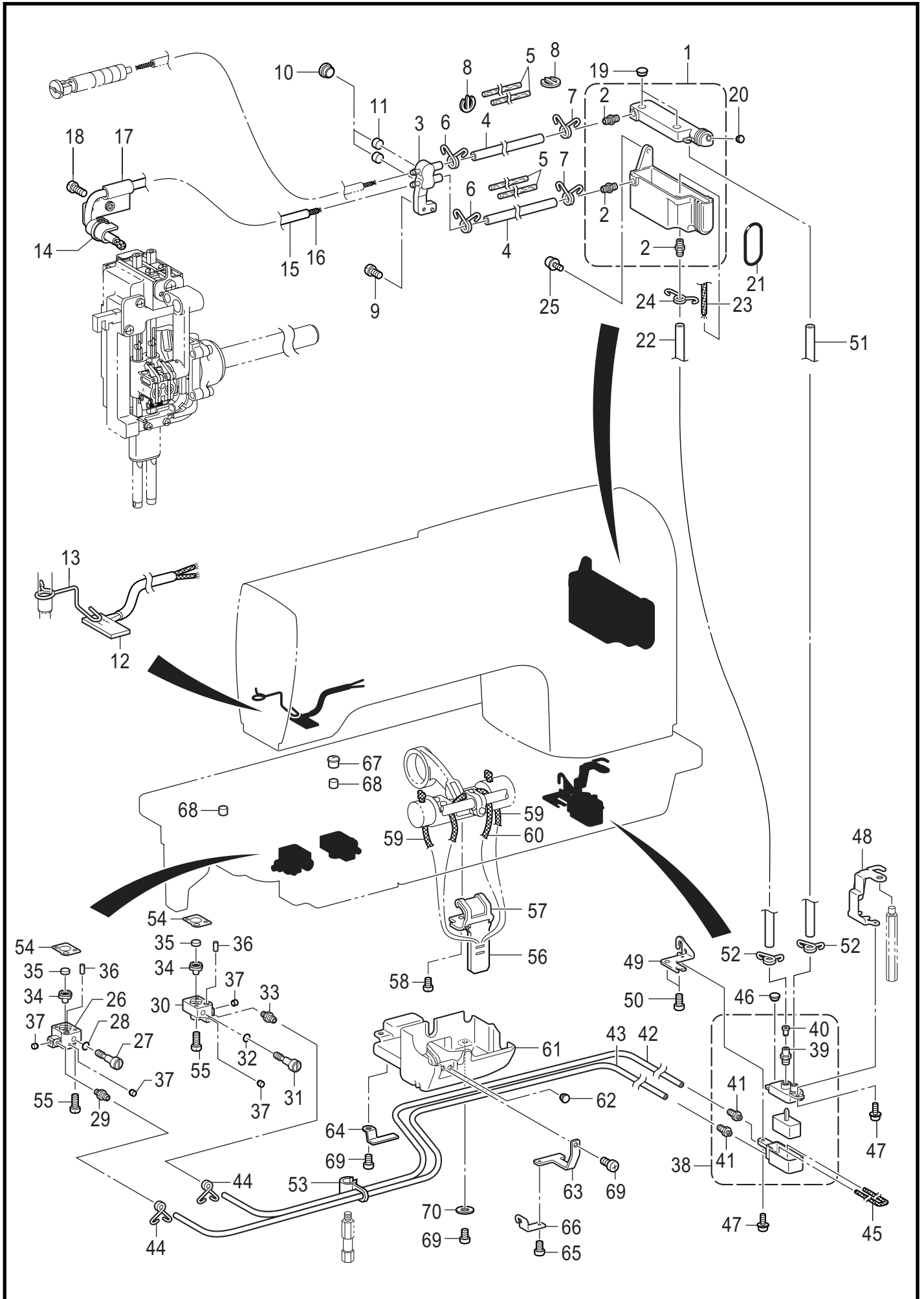


T-8750B-305

K. 下軸関係 / Lower shaft mechanism

| REF.NO | CODE | Q'TY | 品名 | NAME OF PARTS | RM |
|--------|-----------|------|-----------------|--------------------------------|----|
| 1 | SA3890001 | 1 | カマドダイメタルL | ROTARY HOOK BASE BUSH, L | |
| 2 | SA4585001 | 1 | フェルト | FELT | |
| 3 | SA3891001 | 1 | カマドダイメタルR | ROTARY HOOK BASE BUSH, R | |
| 4 | SA4585001 | 1 | フェルト | FELT | |
| 5 | SA2571001 | 1 | シタジク | LOWER SHAFT | |
| 6 | SA2759101 | 1 | ジヨウゲヘンシンリンSTクミ | F-LIFTING ECCENTRIC WHEEL ASSY | |
| 7 | SA2575001 | 1 | トメネジM6ホソメ | SET SCREW, (FT) M6 | |
| 8 | SA2584001 | 1 | タマジクウケブツシュ | BALL BEARING BUSH | |
| 9 | S38707001 | 1 | タマジクウケ6004ZZ NR | BALL BEARING, 6004ZZ NR | |
| 10 | SA2585001 | 1 | アナトガリ6X10ホソメ | SET SCREW, SOCKET (FT) M6 | |
| 11 | S25236001 | 1 | アナヒラ6X10ホソメ | SET SCREW, SOCKET (FT) M6X10 | |
| 12 | SA2587101 | 1 | タイミングプーリDクミ | TIMING PULLEY ASSY, D | |
| 13 | 158115001 | 1 | タマジクウケ6204ZZNR | BALL BEARING, 6204ZZNR | |
| 14 | SA2585001 | 1 | アナトガリ6X10ホソメ | SET SCREW, SOCKET (FT) M6 | |
| 15 | SA4213001 | 1 | アナトメネジ6X10ホソメ | SET SCREW, SOCKET (CP) M6X10 | |

L . 給油潤滑關係 / Lubrication

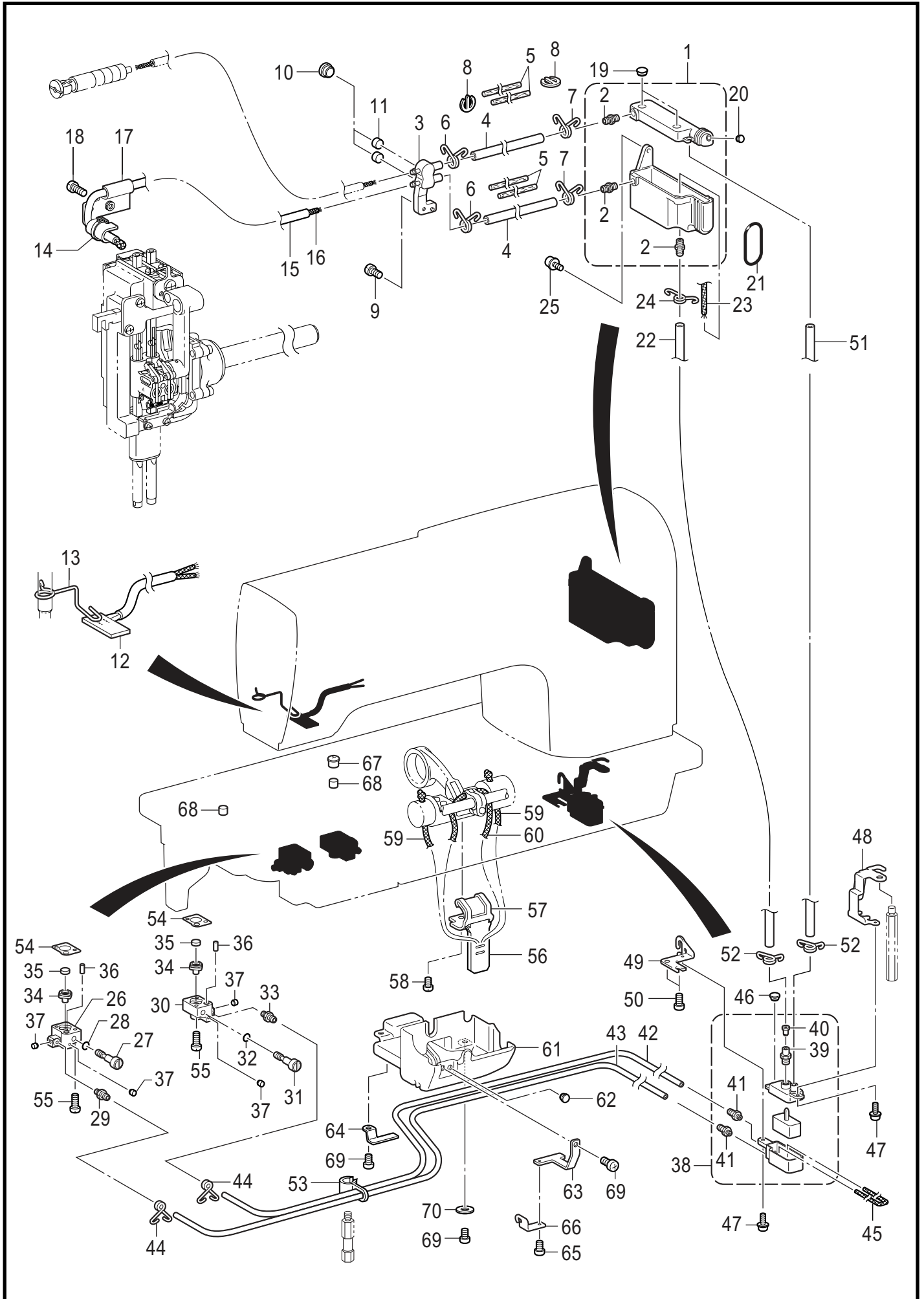


T-8750B-350

L. 給油潤滑関係 / Lubrication

| REF.NO | CODE | Q'TY | 品名 | NAME OF PARTS | RM |
|--------|-----------|------|---------------|------------------------------|----|
| 1 | SA2814201 | 1 | オイルタンククミ | OIL TANK ASSY | |
| 2 | SA3040001 | 3 | オイルクチ8.6 | OIL FEEDING PIPE, 8.6 | |
| 3 | SA3946001 | 1 | キユウユタ-ミナル | OIL TERMINAL | |
| 4 | SA2956001 | 2 | ビニルチューブ | OIL TUBE, L=135 | |
| 5 | SA2957001 | 4 | フェルト | FELT | |
| 6 | SA3055101 | 2 | チューブストツパー | TUBE CLIP | |
| 7 | SA3055101 | 2 | チューブストツパー | TUBE CLIP | |
| 8 | SA6178001 | 2 | クリップ | CLIP | |
| 9 | 062500816 | 1 | ナベコ5X8 | SCREW PAN M5X8 | |
| 10 | SA2929001 | 2 | ゴムセン12.5 | RUBBER CAP, 12.5 | |
| 11 | S38266000 | 2 | カマジクフェルト | ROTARY HOOK SHAFT FELT | |
| 12 | SA5224001 | 1 | フェルトクミ | FELT ASSY | |
| 13 | SA4033101 | 1 | フェルトオサエ | FELT SUPPORT | |
| 14 | 228475000 | 1 | ケツソクバンド1.9X80 | FASTENING BAND, 1.9X80 | |
| 15 | S49623000 | 1 | ビニルチューブ | OIL TUBE, L=280 | |
| 16 | SA5293001 | 1 | クミヒモ | WICK, L=410 | |
| 17 | SA5154201 | 1 | キユウユササエ | OIL SUPPORT | |
| 18 | 062501016 | 1 | ナベコ5X10 | SCREW PAN M5X10 | |
| 19 | SA2929001 | 2 | ゴムセン12.5 | RUBBER CAP, 12.5 | |
| 20 | 104450101 | 1 | ゴムセン8 | RUBBER CAP, 8 | |
| 21 | 081038070 | 1 | リングP38 | O RING P38 | |
| 22 | SA2723001 | 1 | ビニルチューブ | OIL TUBE, L=210 | |
| 23 | SA2724001 | 1 | クミヒモ | WICK, L=400 | |
| 24 | SA3055101 | 1 | チューブストツパー | TUBE CLIP | |
| 25 | 0A5501006 | 2 | +ナベザクミ5X10DB | SCREW PAN (S/P WASHER) M5X10 | |
| 26 | SA3896001 | 1 | キユウユブロックL | OIL BLOCK,L | |
| 27 | SA2599001 | 1 | オイルチヨウセツネジ | OIL ADJUSTING SCREW | |
| 28 | 081004070 | 1 | リングP4 | O RING P4 | |
| 29 | SA3147001 | 1 | オイルクチ2.5 | OIL FEEDING PIPE 2.5 | |
| 30 | SA3898001 | 1 | キユウユブロックR | OIL BLOCK,R | |
| 31 | SA2599001 | 1 | オイルチヨウセツネジ | OIL ADJUSTING SCREW | |
| 32 | 081004070 | 1 | リングP4 | O RING P4 | |
| 33 | SA3147001 | 1 | オイルクチ2.5 | OIL FEEDING PIPE 2.5 | |
| 34 | SA3061001 | 2 | ゴムパツキン | RUBBER PACKING | |
| 35 | SA2727101 | 2 | カマジクフェルト | ROTARY HOOK SHAFT FELT | |
| 36 | S05246000 | 2 | フェルト | FELT | |
| 37 | 142274101 | 4 | ゴムセン4.2 | RUBBER CAP, 4.2 | |
| 38 | SA3037001 | 1 | サブタンククミ | SUB-TANK ASSY | |
| 39 | SA3040001 | 1 | オイルクチ | OIL FEEDING PIPE | |
| 40 | SA3060001 | 1 | バルブパツキン | VALVE PACKING | |
| 41 | SA3147001 | 2 | オイルクチ2.5 | OIL FEEDING PIPE 2.5 | |
| 42 | SA2596001 | 1 | ビニルチューブ | OIL TUBE, L=400 | |
| 43 | SA2597001 | 1 | ビニルチューブ | OIL TUBE, L=500 | |
| 44 | SA4508001 | 2 | チューブストツパー | TUBE CLIP | |
| 45 | SA2598101 | 1 | クミヒモ | WICK, L=1250 | |
| 46 | 104450101 | 1 | ゴムセン8 | RUBBER CAP, 8 | |
| 47 | 0A4400806 | 2 | +ナベザクミ4X8DA | SCREW PAN (S/P WASHER) M4X8 | |
| 48 | SA3045201 | 1 | サブタンクトリツケイタA | SUB-TANK SETTING PLATE, A | |
| 49 | SA3046001 | 1 | サブタンクトリツケイタB | SUB-TANK SETTING PLATE, B | |
| 50 | 062060816 | 2 | ナベコ6X8 | SCREW PAN M6X8 | |
| 51 | SA3044001 | 1 | ビニルチューブ | OIL TUBE, L=242 | |
| 52 | SA3055101 | 2 | チューブストツパー | TUBE CLIP | |
| 53 | SA3047001 | 1 | チューブササエ | TUBE SUPPORT | |
| 54 | SA3923001 | 2 | カマドダイDパツキン | ROTARY HOOK BASE D PACKING | |
| 55 | 062401616 | 4 | ナベコ4X16 | SCREW PAN M4X16 | |
| 56 | SA2604001 | 1 | キリカエキフェルト | FEED REGULATOR FELT | |
| 57 | SA2605001 | 1 | フェルトオサエイタ | FELT SUPPORT | |
| 58 | 062500616 | 1 | ナベコ5X6 | SCREW PAN M5X6 | |
| 59 | 108802001 | 2 | クミヒモ4X4 | WICK, 4X4 L=250 | |
| 60 | 108801001 | 1 | クミヒモ4X4 | WICK, 4X4 L=350 | |
| 61 | SA2606101 | 1 | オイルカバー | OIL COVER | |
| 62 | 104450101 | 1 | ゴムセン8 | RUBBER CAP, 8 | |
| 63 | SA3048101 | 1 | チューブオサエA | TUBE SUPPORT, A | |

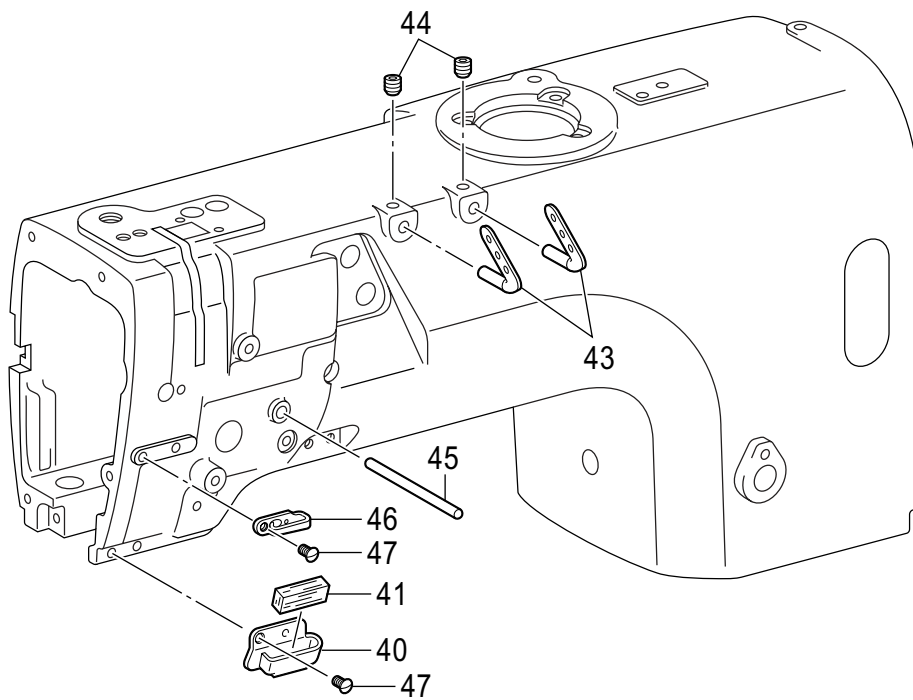
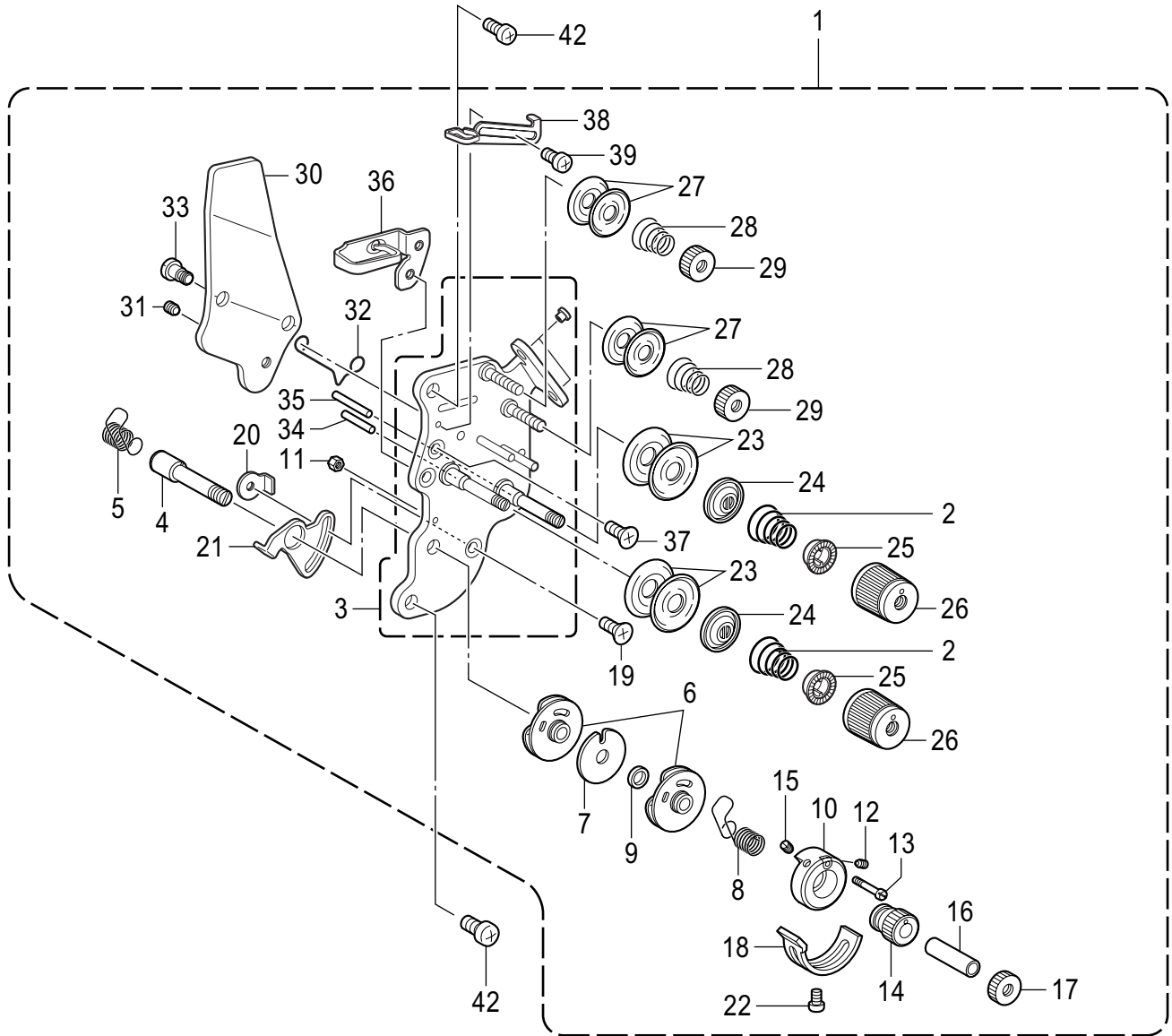
L. 給油潤滑關係 / Lubrication



T-8750B-350

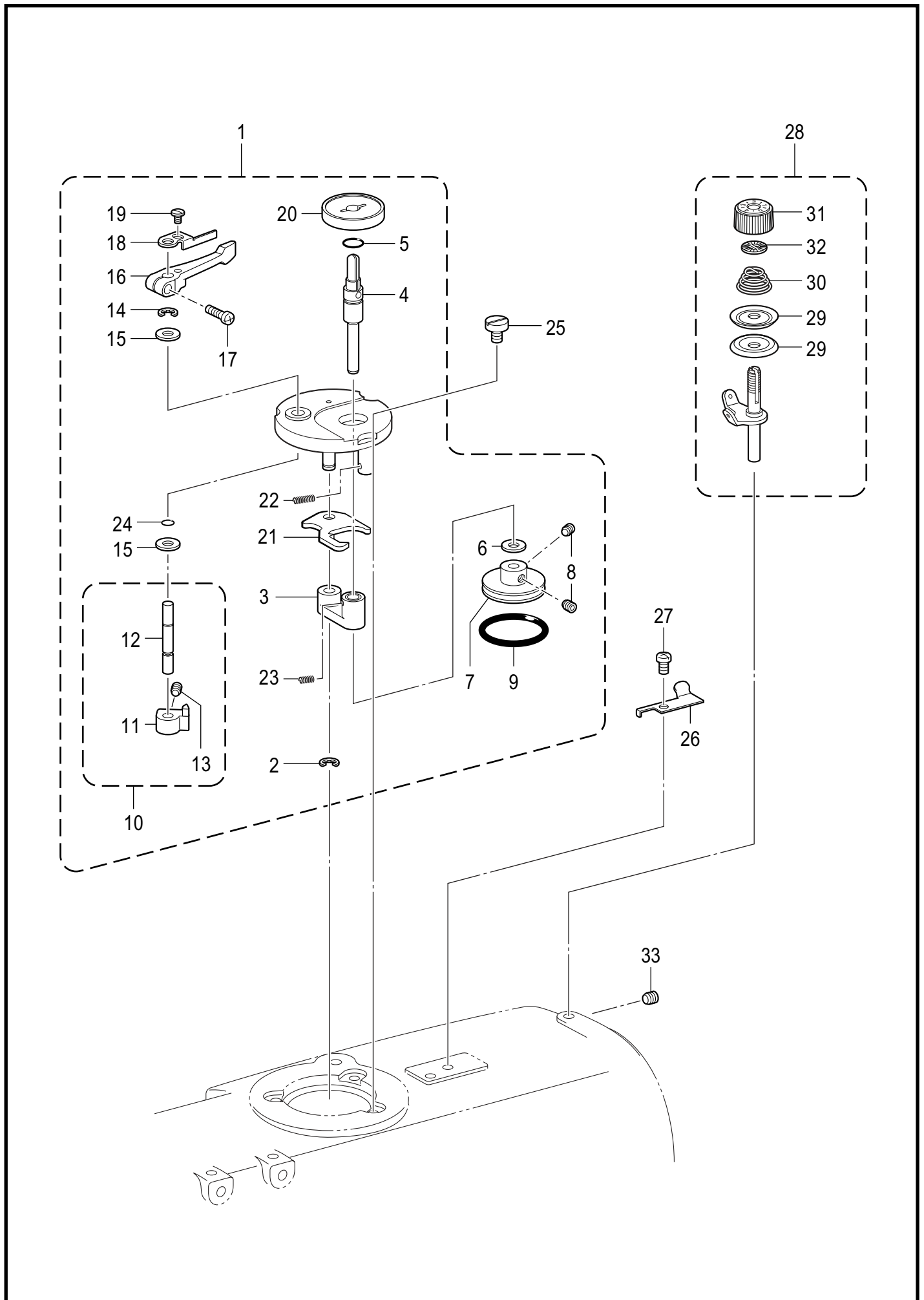
L. 給油潤滑関係 / Lubrication

| REF.NO | CODE | Q'TY | 品名 | NAME OF PARTS | RM |
|--------|-----------|------|-----------|------------------|----|
| 64 | SA3049001 | 1 | チューブオサエB | TUBE SUPPORT, B | |
| 65 | 062400616 | 1 | ナベコ4X6 | SCREW PAN M4X6 | |
| 66 | SA4014001 | 1 | チューブガイド | TUBE GUIDE | |
| 67 | 140890009 | 1 | オイルカツプ | OIL CAP | |
| 68 | 112753001 | 2 | フェルト | FELT | |
| 69 | 062061016 | 3 | ナベコ6X10 | SCREW PAN M6X10 | |
| 70 | 025060236 | 1 | ヒラザガネチュウ6 | WASHER PLAIN M 6 | |



M. 糸通し関係 / Threading mechanism

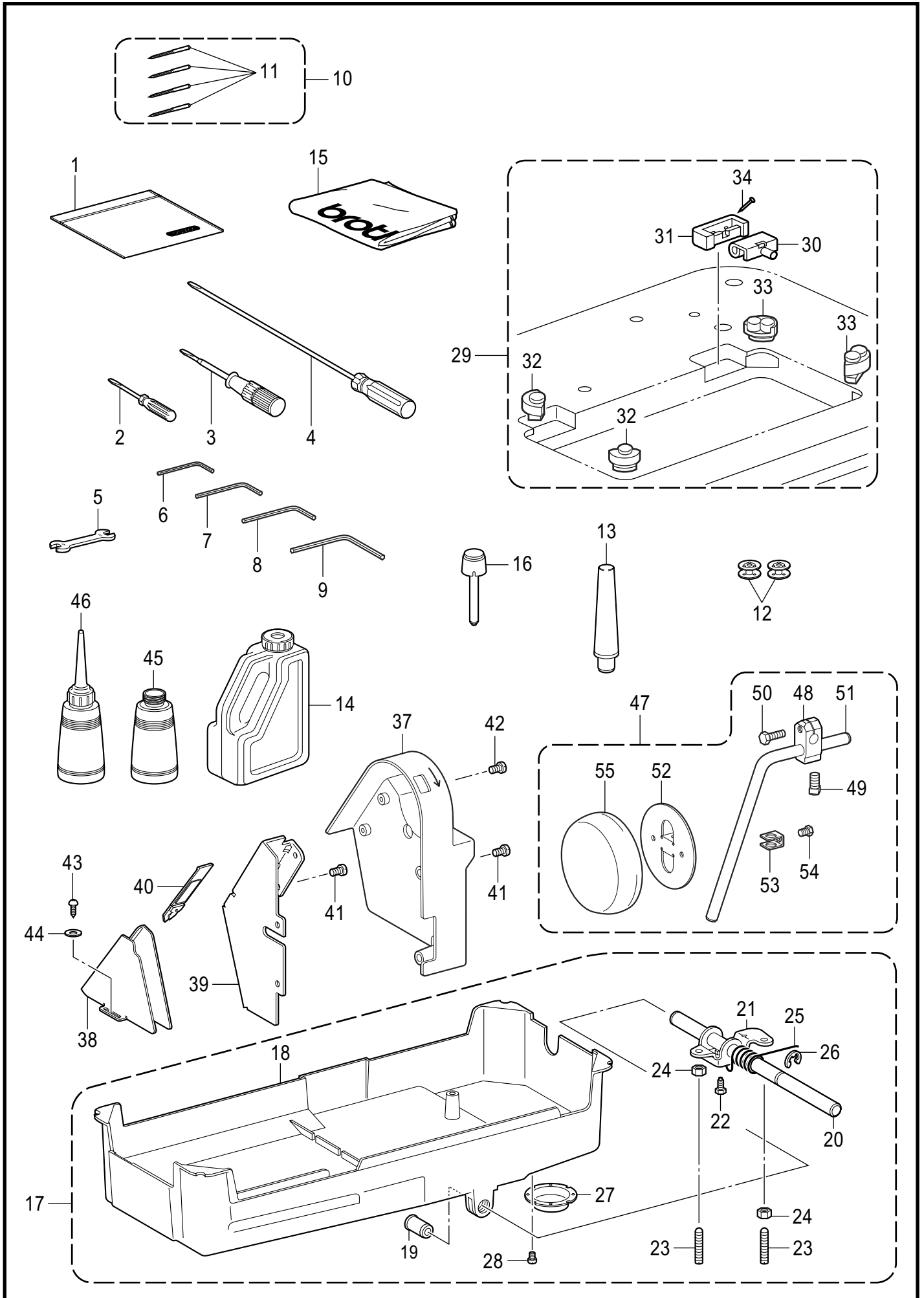
| REF.NO | CODE | Q'TY | 品名 | NAME OF PARTS | RM |
|--------|-----------|------|---------------|-------------------------------|----|
| | | | <-□□3用> | <For "-□□3"> | |
| 1 | SA3417101 | 1 | ウワイトチヨウシクミ-3 | UPPER THREAD TENSION ASSY, -3 | |
| 2 | SA3415001 | 2 | イトチヨウシバネL | TENSION SPRING, L | |
| | | | <-□□5用> | <For "-□□5"> | |
| 1 | SA2607101 | 1 | ウワイトチヨウシクミ-5 | UPPER THREAD TENSION ASSY, -5 | |
| 2 | SA3416001 | 2 | イトチヨウシバネLL | TENSION SPRING, LL | |
| 3 | SA4212001 | 1 | イトチヨウシダイクミ | TENSION PLATE ASSY | |
| 4 | SA2613001 | 1 | チヨウシジク | TENSION STUD | |
| 5 | SA2614001 | 1 | イトトリバネL | THREAD TAKE-UP SPRING, L | |
| 6 | SA2615001 | 2 | イトトリバネアンナイクミ | GUIDE ASSY, T/TAKE-UP SPRING | |
| 7 | SA2619001 | 1 | スペーサー | SPACER | |
| 8 | SA2623001 | 1 | イトトリバネR | THREAD TAKE-UP SPRING, R | |
| 9 | SA2620001 | 1 | カラ- | COLLAR | |
| 10 | SA2621001 | 1 | ストツパウケ | STOPPER SUPPORT | |
| 11 | 021300106 | 1 | 1シュナット3 | NUT 1 M3 | |
| 12 | SA2626001 | 1 | トメネジ3.5 | SET SCREW, (CP) M3.5 | |
| 13 | SA2624001 | 1 | バネアンナイトメネジ | SPRING GUIDE SET SCREW | |
| 14 | SA2625001 | 1 | チヨウセツツマミ | ADJUSTING THUMB | |
| 15 | SA2626001 | 1 | トメネジ3.5 | SET SCREW, (CP) M3.5 | |
| 16 | SA2627001 | 1 | カラ- | COLLAR | |
| 17 | SA2628001 | 1 | イトチヨウシナット | TENSION NUT | |
| 18 | SA2629001 | 1 | イトトリバネストツパ | STOPPER | |
| 19 | 061350616 | 1 | サラコ35X6 | SCREW FLAT M3.5X6 | |
| 20 | SA2824001 | 1 | マワリドメナットM3.5 | NUT, WHIRL-STOP M3.5 | |
| 21 | SA2630001 | 1 | イトトリバネストツパ | STOPPER | |
| 22 | 062350512 | 1 | ナベコ35X5 | SCREW PAN M3.5X5 | |
| 23 | 145446001 | 4 | イトチヨウシサラ | DISC, TENSION | |
| 24 | 159805001 | 2 | イトチヨウシサラオサエ | TENSION DISC PRESSER | |
| 25 | S20681000 | 2 | チヨウシバネウエザガネ | WASHER | |
| 26 | S20682105 | 2 | イトチヨウシナット | TENSION NUT | |
| 27 | 144504001 | 4 | イトアンナイサラ | THREAD GUIDE DISC | |
| 28 | 154560001 | 2 | プレテンションバネA | PRE-TENSION SPRING, A | |
| 29 | 155510001 | 2 | イトチヨウシナット | TENSION NUT | |
| 30 | SA2632001 | 1 | イトユルメイタ | TENSION RELEASE PLATE | |
| 31 | 012500536 | 1 | アナヒラ5X5 | SET SCREW SOCKET (FT) M5X5 | |
| 32 | S38274001 | 1 | イトユルメバネ | T-RELEASE SPRING | |
| 33 | SA2633001 | 2 | ダンネジ3.5 | SHOULDER SCREW, M3.5 | |
| 34 | SA4506001 | 1 | イトユルメピンL | TENSION RELEASE PIN, L | |
| 35 | SA4507001 | 1 | イトユルメピンR | TENSION RELEASE PIN, R | |
| 36 | SA2634001 | 1 | ア-ムイトアンナイU | THREAD GUIDE, U :ARM | |
| 37 | 061350616 | 2 | サラコ35X6 | SCREW FLAT M3.5X6 | |
| 38 | SA2635001 | 1 | イトリヨウチヨウセイ | THREAD QUANTITY ADJUST | |
| 39 | 062300616 | 1 | ナベコ3X6 | SCREW PAN M3X6 | |
| 40 | SA2639001 | 1 | ア-ムイトアンナイD | THREAD GUIDE, D :ARM | |
| 41 | 114941001 | 1 | ア-ムイトアンナイフェルト | FELT | |
| 42 | 062500816 | 2 | ナベコ5X8 | SCREW PAN M5X8 | |
| 43 | SA2636001 | 2 | ミツメイトカケ | THREAD RETAINER | |
| 44 | 012060636 | 2 | アナヒラ6X6 | SET SCREW SOCKET (FT) M6X6 | |
| 45 | SA2637001 | 1 | イトユルメジク | BAR, TENSION RELEASE | |
| 46 | SA2638001 | 1 | ア-ムイトアンナイM | THREAD GUIDE, M :ARM | |
| 47 | SA2640001 | 2 | サラネジ5X8 | SCREW, FLAT M5X8 | |



N. 糸巻関係 / Bobbin winder mechanism

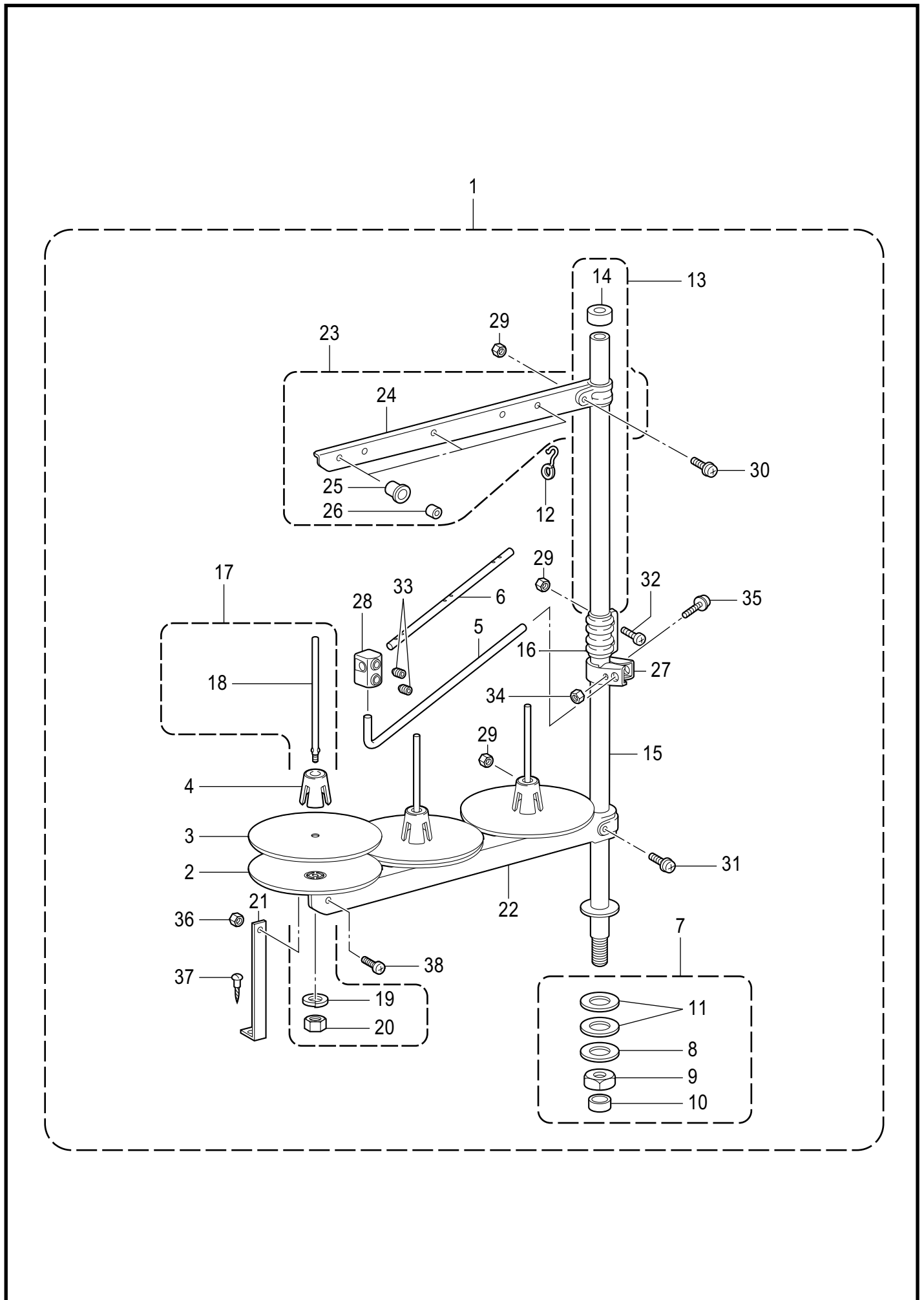
| REF.NO | CODE | Q'TY | 品名 | NAME OF PARTS | RM |
|--------|-----------|------|-------------|-----------------------------|----|
| 1 | SA1971101 | 1 | イトマキユニット | BOBBIN WINDER UNIT | |
| 2 | 048040342 | 1 | トメワE4 | RETAINING RING E4 | |
| 3 | SA1975001 | 1 | イトマキジクウケクミ | B-WINDER SHAFT SUPPORT ASSY | |
| 4 | SA1978001 | 1 | イトマキジク | BOBBIN WINDER SHAFT | |
| 5 | 081009070 | 1 | OリングP9 | O RING P9 | |
| 6 | 025060136 | 1 | ヒラザガネシヨウ6 | WASHER PLAIN S 6 | |
| 7 | SA1980001 | 1 | イトマキクルマ | BOBBIN WINDER WHEEL | |
| 8 | 012500536 | 2 | アナヒラ5X5 | SET SCREW SOCKET (FT) M5X5 | |
| 9 | S25789000 | 1 | ゴムワ29 | RUBBER RING, 29 | |
| 10 | SA1981101 | 1 | ボビンオサエカムクミ | BOBBIN PRESSER CAM ASSY | |
| 11 | SA1982101 | 1 | ボビンオサエカム | BOBBIN PRESSER CAM | |
| 12 | SA1983001 | 1 | イトマキウデジク | BOBBIN WINDER ARM SHAFT | |
| 13 | 012500536 | 1 | アナヒラ5X5 | SET SCREW SOCKET (FT) M5X5 | |
| 14 | 048040342 | 1 | トメワE4 | RETAINING RING E4 | |
| 15 | 025060136 | 2 | ヒラザガネシヨウ6 | WASHER PLAIN S 6 | |
| 16 | SA1984001 | 1 | ボビンオサエウデ | BOBBIN PRESSER ARM | |
| 17 | 062401216 | 1 | ナベコ4X12 | SCREW PAN M4X12 | |
| 18 | SA1985001 | 1 | ボビンオサエ | BOBBIN PRESSER | |
| 19 | S23418002 | 1 | シメネジ4X5 | SCREW, M4X5 | |
| 20 | SA1988001 | 1 | ボビンウケ | BOBBIN SUPPORT | |
| 21 | SA1989001 | 1 | イトマキレバー | BOBBIN WINDER LEVER | |
| 22 | SA1990101 | 1 | モドシバネ | SPRING | |
| 23 | SA1991001 | 1 | イトマキダイバネ | BOBBIN WINDER BASE SPRING | |
| 24 | SA2190001 | 1 | OリングSS5 | O RING, SS5 | |
| 25 | SA1992101 | 3 | イトマキコテイネジ | BOBBIN WINDER FIXED SCREW | |
| 26 | SA1360101 | 1 | メス | KNIFE | |
| 27 | 062500616 | 1 | ナベコ5X6 | SCREW PAN M5X6 | |
| 28 | SA1994101 | 1 | イトマキチヨウシクミ | BOBBIN WINDER TENSION ASSY | |
| 29 | 145446002 | 2 | イトチヨウシサラ | DISC, TENSION | |
| 30 | 100401002 | 1 | イトチヨウシバネ | TENSION SPRING | |
| 31 | S31032001 | 1 | イトチヨウシナツト | TENSION NUT | |
| 32 | S12441001 | 1 | チヨウシバネウエザガネ | WASHER | |
| 33 | 012500536 | 1 | アナヒラ5X5 | SET SCREW SOCKET (FT) M5X5 | |

Z1 . 付属品関係 / Accessories



Z1. 付属品関係 / Accessories

| REF.NO | CODE | Q'TY | 品名 | NAME OF PARTS | RM |
|--------|-----------|------|----------------|----------------------------|----|
| 1 | 122991001 | 1 | フゾクヒンポリフクロ | ACCESSORY BAG | |
| 2 | 142443001 | 1 | ネジマワシ1.9X52 | SCREW-DRIVER, 1.9X52 | |
| 3 | 118837001 | 1 | ネジマワシ3.4X70 | SCREW-DRIVER, 3.4X70 | |
| 4 | S17774001 | 1 | ネジマワシ4.7X250 | SCREW-DRIVER, 4.7X250 | |
| 5 | 100887001 | 1 | スパナ8X9 | WRENCH, 8X9 | |
| 6 | 142002001 | 1 | 6カクボウスパナ2 | HEXAGONAL WRENCH, 2 | |
| 7 | 154125001 | 1 | 6カクボウスパナ2.5 | HEXAGONAL WRENCH, 2.5 | |
| 8 | 142721001 | 1 | 6カクボウスパナ3 | HEXAGONAL WRENCH, 3 | |
| 9 | 149570001 | 1 | 6カクボウスパナ5 | HEXAGONAL WRENCH, 5 | |
| | | | <-□□3用> | <For "-□□3"> | |
| 10 | SA1752014 | 1 | 107415ハリ4コイリクミ | NEEDLE 4PIECE ASSY, 107415 | |
| 11 | 107415014 | 4 | ミシンハリDPX5 | NEEDLE, DPX5 | |
| | | | <-□□5用> | <For "--□□5"> | |
| 10 | SA1752022 | 1 | 107415ハリ4コイリクミ | NEEDLE 4PIECE ASSY, 107415 | |
| 11 | 107415022 | 4 | ミシンハリDPX5 | NEEDLE, DPX5 | |
| 12 | S09285051 | 2 | ボビン | BOBBIN | |
| 13 | 100477009 | 1 | マクラ | HEAD REST | |
| 14 | S55663001 | 1 | オイルタンククミ | OIL TANK ASSY | |
| 15 | 144226001 | 1 | トウブカバー | HEAD COVER | |
| 16 | 145573000 | 1 | ヒザアゲオシボウ | KNEE LIFTER COMPLYING BAR | |
| 17 | SA2691101 | 1 | アブラウケクミ | OIL PAN ASSY | |
| 18 | SA2692101 | 1 | アブラウケ | OIL PAN | |
| 19 | 149578000 | 2 | ヨコジクブツシュ | BUSH | |
| 20 | SA2582001 | 1 | ヒザアゲヨコジク | KNEE LIFTER SHAFT | |
| 21 | SA2590001 | 1 | ヒザアゲ | KNEE LIFTER | |
| 22 | S25344001 | 1 | ボルト6 | BOLT, M6 | |
| 23 | S25475101 | 2 | トメネジ6 | SET SCREW, M6X19 | |
| 24 | 021060306 | 2 | 3シュナット6 | NUT 3 M6 | |
| 25 | S15889001 | 1 | ヒザアゲネジリバネ | TWIST SPRING | |
| 26 | 146293001 | 1 | トメワE10 | RETAINING RING, E10 | |
| 27 | 153230101 | 1 | オイルニガシグチ | DRAIN | |
| 28 | S23418002 | 2 | シメネジ4X5 | SCREW, M4X5 | |
| 29 | SA1969001 | 1 | ラバーヒンジクミ | RUBBER HINGE ASSY | |
| 30 | 143882001 | 2 | トウブヒンジ | HEAD HINGE | |
| 31 | 143910009 | 2 | トウブヒンジウケゴム | RUBBER CUSHION | |
| 32 | SA1962001 | 2 | トウブシキゴム | HEAD CUSHION | |
| 33 | SA1963001 | 2 | トウブシキゴム | HEAD CUSHION | |
| 34 | 109714000 | 4 | クギ | NAIL | |
| 37 | SA2768101 | 1 | ベルトカバー-U | BELT COVER, U | |
| 38 | SA2769001 | 1 | ベルトカバー-D | BELT COVER, D | |
| 39 | SA2770101 | 1 | ベルトカバーブラケット | BELT COVER BRACKET | |
| 40 | S37263001 | 1 | ベルトカバー-DフタL | BELT COVER D LID, L | |
| 41 | 062500816 | 4 | ナベコ5X8 | SCREW PAN M5X8 | |
| 42 | 062500816 | 2 | ナベコ5X8 | SCREW PAN M5X8 | |
| 43 | 100666002 | 2 | マルモクネジ5.5X20 | WOOD SCREW, ROUND M5.5X20 | |
| 44 | 025750132 | 2 | ヒラザガネショウ5.56 | WASHER PLAIN S SM5.56 | |
| 45 | 114486002 | 1 | ポリオイラータイ | OILER | |
| 46 | 114483002 | 1 | ポリオイラークミ | OILER ASSY | |
| 47 | S38300001 | 1 | ヒザアテクミ | KNEE LIFTER ASSY | |
| 48 | 146039001 | 1 | ヒザアテツギテ | KNEE LIFTER BRACKET | |
| 49 | 100463001 | 1 | 4カクボルト7.94 | BOLT, SQUARE SM7.94 | |
| 50 | 017762013 | 1 | ボルト595-28X20 | BOLT, SM5.95-28X20 | |
| 51 | S38278001 | 1 | ヒザアゲタテジク | KNEE LIFTER BAR | |
| 52 | S34756001 | 1 | ヒザアテ | KNEE LIFTER PLATE | |
| 53 | 114967001 | 1 | ヒザアテストップ | KNEE LIFTER PLATE STOPPER | |
| 54 | 110087001 | 1 | ボルト5.95 | BOLT, SM5.95-28X8 | |
| 55 | S31885001 | 1 | ヒザアテカバー | KNEE LIFTER PLATE COVER | |



Z2. 付属品関係 / Accessories

| REF.NO | CODE | Q'TY | 品名 | NAME OF PARTS | RM |
|--------|-----------|------|----------------|-------------------------------|----|
| 1 | S07558309 | 1 | イトタテダイクミ3DRTHF | COTTON STAND ASSY, 3DRTHF | |
| 2 | S51283001 | 3 | ウケザラ | SPOOL STAND BASE | |
| 3 | 150182000 | 3 | スプ-ルマット | SPOOL MAT | |
| 4 | S51282101 | 3 | スプ-ルクツシヨン | SPOOL CUSHION | |
| 5 | S04109001 | 1 | イトアンナイササエボウ | THREAD GUIDE SUPPORT BAR | |
| 6 | 142997001 | 1 | イトアンナイ3 | THREAD GUIDE, 3 | |
| 7 | SA2867001 | 1 | パイプDネジセットB | PIPE D SCREW SET, B | |
| 8 | 150206002 | 1 | ヒラザガネ16 | WASHER, PLAIN 16 | |
| 9 | S38648001 | 1 | 6カクナツU5/8 | NUT, U5/8-28 | |
| 10 | 150174000 | 1 | コラムキャツプ | COLUMN CAP | |
| 11 | S01005000 | 2 | イトタテゴム | RUBBER WASHER | |
| 12 | S02747101 | 1 | イトカケバネ | SPRING | |
| 13 | S40639001 | 1 | コラムパイプキャップツキ | COLUMN PIPE W/CAP | |
| 14 | 150174000 | 1 | コラムキャツプ | COLUMN CAP | |
| 15 | 156112003 | 1 | コラムパイプD | COLUMN PIPE, D | |
| 16 | 150173003 | 1 | コラムジョイント | COLUMN JOINT | |
| 17 | S21798001 | 3 | スプ-ルネジセット | SPOOL & SCREW SET | |
| 18 | 150179002 | 3 | スプ-ルジクB | SPOOL SHAFT, B | |
| 19 | 028050246 | 3 | バネザガネ2-5 | WASHER SPRING 2-5 | |
| 20 | 021500106 | 3 | 1シュナツ5 | NUT 1 M5 | |
| 21 | 150188009 | 1 | スプ-ルホルダー-ササエA | SPOOL HOLDER SUPPORT, A | |
| 22 | S02779009 | 1 | スプ-ルホルダー-3 | SPOOL HOLDER, 3 | |
| 23 | S02788009 | 1 | スレツドハンガー-クミ3 | THREAD HANGER ASSY, 3 | |
| 24 | S02789009 | 1 | スレツドハンガー-3 | THREAD HANGER, 3 | |
| 25 | 150183000 | 3 | イトカケハンガー-ダイ | THREAD HANGER BASE | |
| 26 | 142990001 | 3 | スレツドブツシユ | THREAD BUSH | |
| 27 | 150185009 | 1 | イトアンナイホルダー | THREAD GUIDE HOLDER | |
| 28 | 138843001 | 1 | ササエボウツギテ | JOINT | |
| 29 | 021500106 | 4 | 1シュナツ5 | NUT 1 M5 | |
| 30 | S37038001 | 1 | ナベコヒラザ5X14 | SCREW, PAN(S/P WASHER) M5X14 | |
| 31 | S37037001 | 1 | ナベコヒラザ5X32 | SCREW, PAN (S/P WASHER) M5X32 | |
| 32 | 062501406 | 2 | ナベコ5X14 | SCREW PAN M5X14 | |
| 33 | 014060632 | 2 | アナクボミ6X6 | SET SCREW SOCKET (CP) M6X6 | |
| 34 | 021500106 | 1 | 1シュナツ5 | NUT 1 M5 | |
| 35 | S37037001 | 1 | ナベコヒラザ5X32 | SCREW, PAN (S/P WASHER) M5X32 | |
| 36 | 021500106 | 1 | 1シュナツ5 | NUT 1 M5 | |
| 37 | 031452206 | 1 | マルモク45X22 | WOOD SCREW ROUND M4.5X22 | |
| 38 | 062501006 | 1 | ナベコ5X10 | SCREW PAN M5X10 | |

Wa. 警告ラベル / Warning labels

| 警告ラベル / Warning labels | 品名 / Name of parts | Size(mm) | Code |
|--|--|----------------|-------------------|
|  | <p>ラベル注意・和英 Label, caution Jpn / Eng</p> | <p>64 X 40</p> | <p>SA2040-001</p> |
|  | <p>ラベル注意・中英 Label, caution Chn / Eng</p> | <p>64 X 40</p> | <p>SA2041-001</p> |
|  | <p>アースマーク Label, grounding</p> | <p>φ 12</p> | <p>S37060-001</p> |

T-8750B-Wa

Sp.仕様別部品一覧表 / Different parts list

■ かま / Rotary hooks

部品コードは、かまが箱に入った組コードです。

The following parts codes are assigned for the rotary hooks in the boxes.

●標準 / Normal

| | |
|-------------------------|-------------------|
| | 全仕様 / All type |
| かま箱組 / Rotary hook assy | SA1692-102 |

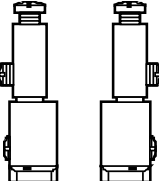
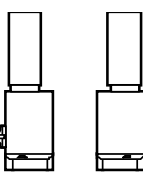
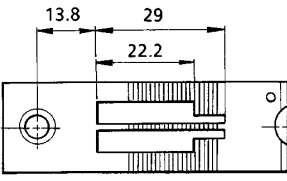
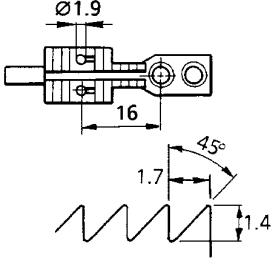
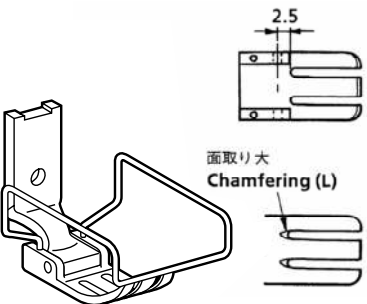
Ga . ゲージ部品一覧表 / Gauge parts list

標準品 / For normal

| 針幅 Needle gauge (mm) | 針抱きセット Needle clamp set | 針抱き組 Needle clamp assy | 針板 Needle plate | 送り歯 Feed dog | 押え組 Presser foot assy |
|--------------------------------|--------------------------------|--------------------------------|---|--|--------------------------|
| | | | 中厚,厚物用 (-3, -5) For medium & heavy materials | 中厚,厚物用 (-3,-5) For medium & heavy materials | |
| 1/8 (3.2) | (L)S15711-001 (R)S15712-001 | (L)S15713-001 (R)S15714-001 | 117369-001 | 114951-001 | S36562-001 |
| 5/32 (4.0) | (L)S15717-001 (R)S15718-001 | (L)S15719-001 (R)S15720-001 | 150850-001 | 116509-001 | 155455-101 |
| 3/16 (4.8) | (L)S15723-001 (R)S15724-001 | (L)S15725-001 (R)S15726-001 | 117133-001 | 112659-001 | S36564-001 |
| 1/4 (6.4) | (L)S15735-001 (R)S15736-001 | (L)S15737-001 (R)S15738-001 | 117367-001 | 112660-001 | SA4052-001 |
| 5/16 (7.9) | (L)S15747-001 (R)S15748-001 | (L)S15749-001 (R)S15750-001 | 144882-001 | 112661-001 | 155459-101 |
| 3/8 (9.5) | (L)S15753-001 (R)S15754-001 | (L)S15755-001 (R)S15756-001 | 144881-101 | 116510-101 | 155461-101 |
| 1/2 (12.7) | (L)S15765-001 (R)S15766-001 | (L)S15767-001 (R)S15768-001 | S09365-001 | 116511-001 | S09367-101 |
| 5/8 (15.9) | (L)S15771-001 (R)S15772-001 | (L)S15773-001 (R)S15774-001 | 159577-001 | 116512-001 | 159575-101 |

Ga . ゲージ部品一覧表 / Gauge parts list

標準品 / For normal

| | | |
|---|--|---|
| <p>針抱きセット Needle clamp set</p> | <p>針抱き組 Needle clamp assy</p> | <p>針板 Needle plate</p> <p>中、厚物用(-3,-5) For medium & heavy materials</p> |
|  |  |  |
| <p>送り歯 Feed dog</p> <p>中厚, 厚物用(-3, -5) For medium & heavy materials</p> | <p>押え組 Presser foot assy</p> | |
|  |  | |

Ga . ゲージ部品一覧表 / Gauge parts list

厚物用 / For heavy materials

* 送り歯が標準品と異なります。

* The feed dog is different from normal parts.

| 針幅 Needle gauge (mm) | (針抱きセット) Needle clamp set | (針抱き組) Needle clamp assy | (針板) Needle plate | 送り歯 Feed dog | (押え組) Presser foot assy |
|----------------------------|------------------------------|-----------------------------|----------------------|-----------------|----------------------------|
| 3/16 (4.8) | 標準品 / Normal | 標準品 / Normal | 標準品 / Normal | S21149-001 | 標準品 / Normal |
| 1/4 (6.4) | | | | S21150-001 | |

極厚物用 / For extra heavy materials

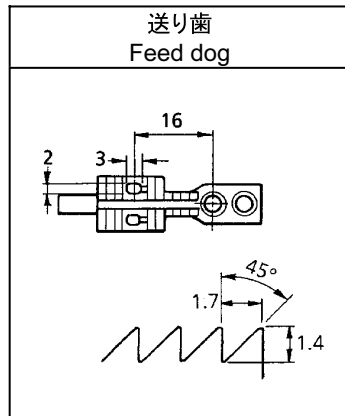
* 送り歯が標準品と異なります。

* The feed dog is different from normal parts.

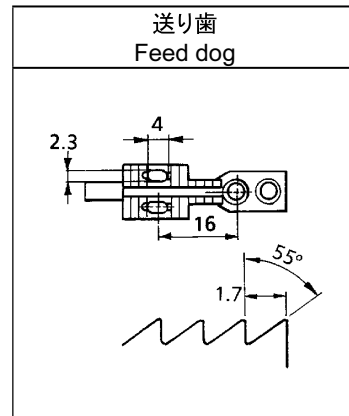
| 針幅 Needle gauge (mm) | (針抱きセット) Needle clamp set | (針抱き組) Needle clamp assy | (針板) Needle plate | 送り歯 Feed dog | (押え組) Presser foot assy |
|----------------------------|------------------------------|-----------------------------|----------------------|-----------------|----------------------------|
| 1/8 (3.2) | 標準品 / Normal | 標準品 / Normal | 標準品 / Normal | 158430-001 | 標準品 / Normal |
| 3/16 (4.8) | | | | S13588-001 | |
| 1/4 (6.4) | | | | 153882-001 | |
| 3/8 (9.5) | | | | 153887-001 | |
| 1/2 (12.7) | | | | 153892-001 | |
| 5/8 (15.9) | | | | 153897-001 | |

Ga . ゲージ部品一覧表 / Gauge parts list

厚物用 / For heavy materials



極厚物用 / For extra heavy materials



索引 / INDEX

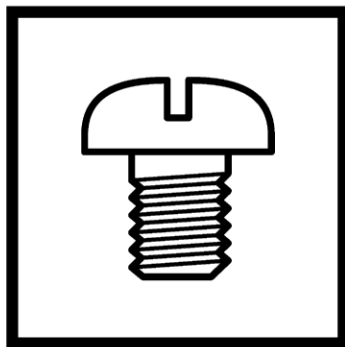
| CODE | REF.NO | Page | CODE | REF.NO | Page | CODE | REF.NO | Page | CODE | REF.NO | Page | | | | |
|-----------|--------|------|------|-----------|------|------|--------|-----------|------|--------|------|-----------|----|----|----|
| 012060636 | C | 55 | 8 | 062061016 | L | 69 | 28 | 100887001 | Z1 | 5 | 34 | 144881101 | Ga | 39 | |
| | F | 32 | 14 | 062061616 | C | 48 | 8 | 104449001 | A | 4 | 2 | 144882001 | Ga | 39 | |
| | G | 7 | 16 | 062260316 | C | 16 | 6 | 104450101 | L | 20 | 26 | 145446001 | M | 23 | 30 |
| | G | 26 | 16 | 062260516 | C | 20 | 6 | | L | 46 | 26 | 145446002 | N | 29 | 32 |
| | M | 44 | 30 | 062300416 | G | 23 | 16 | | L | 62 | 26 | 145573000 | Z1 | 16 | 34 |
| 012061036 | B | 21 | 4 | 062300612 | J1 | 19 | 18 | 104821001 | F | 44 | 14 | 146039001 | Z1 | 48 | 34 |
| | B | 25 | 4 | 062300616 | M | 39 | 30 | 104833001 | D | 2 | 10 | 146293001 | Z1 | 26 | 34 |
| 012061832 | E | 14 | 12 | 062350512 | M | 22 | 30 | 107155001 | C | 39 | 6 | 149570001 | Z1 | 9 | 34 |
| 012500536 | E | 22 | 12 | 062350516 | C | 37 | 6 | 107415014 | Z1 | 11 | 34 | 149578000 | Z1 | 19 | 34 |
| | J1 | 15 | 18 | | C | 42 | 6 | 107415022 | Z1 | 11 | 34 | 149604001 | C | 8 | 6 |
| | M | 31 | 30 | | D | 8 | 10 | 108549001 | F | 23 | 14 | 149605001 | C | 9 | 6 |
| | N | 8 | 32 | 062350816 | C | 32 | 6 | 108801001 | L | 60 | 26 | 149608001 | C | 13 | 6 |
| | N | 13 | 32 | 062400616 | G | 18 | 16 | 108802001 | G | 5 | 16 | 149610001 | C | 17 | 6 |
| | N | 33 | 32 | | G | 33 | 16 | | L | 59 | 26 | 149611101 | C | 18 | 6 |
| 013660412 | H | 3 | 22 | | J1 | 27 | 18 | 109714000 | Z1 | 34 | 34 | 149622001 | C | 25 | 6 |
| 014060632 | Z2 | 33 | 36 | | J1 | 29 | 18 | 110087001 | Z1 | 54 | 34 | 149827001 | C | 10 | 6 |
| 014080831 | C | 43 | 8 | | J1 | 32 | 18 | 112609001 | C | 14 | 6 | 149831101 | H | 5 | 22 |
| 014400432 | D | 30 | 10 | | J1 | 27 | 20 | 112659001 | Ga | | 39 | 149863001 | D | 28 | 10 |
| 016061031 | F | 29 | 14 | | J1 | 29 | 20 | 112660001 | Ga | | 39 | 150173003 | Z2 | 16 | 36 |
| 017762013 | Z1 | 50 | 34 | | J1 | 32 | 20 | 112661001 | Ga | | 39 | 150174000 | Z2 | 10 | 36 |
| 018062032 | C | 50 | 8 | | L | 65 | 28 | 112728001 | C | 33 | 6 | | Z2 | 14 | 36 |
| | C | 60 | 8 | 062401216 | N | 17 | 32 | 112753001 | L | 68 | 28 | 150179002 | Z2 | 18 | 36 |
| | F | 15 | 14 | 062401616 | L | 55 | 26 | 113014000 | B | 7 | 4 | 150182000 | Z2 | 3 | 36 |
| 018062532 | C | 57 | 8 | 062500616 | A | 9 | 2 | 113050001 | H | 10 | 22 | 150183000 | Z2 | 25 | 36 |
| 018401036 | C | 4 | 6 | | L | 58 | 26 | 114483002 | Z1 | 46 | 34 | 150185009 | Z2 | 27 | 36 |
| 021060306 | E | 15 | 12 | | N | 27 | 32 | 114486002 | Z1 | 45 | 34 | 150188009 | Z2 | 21 | 36 |
| | E | 32 | 12 | 062500816 | A | 23 | 2 | 114941001 | M | 41 | 30 | 150206002 | Z2 | 8 | 36 |
| | Z1 | 24 | 34 | | B | 27 | 4 | 114951001 | Ga | | 39 | 150820001 | D | 18 | 10 |
| 021300106 | M | 11 | 30 | | B | 32 | 4 | 114967001 | Z1 | 53 | 34 | 150850001 | Ga | | 39 |
| 021350106 | G | 15 | 16 | | D | 16 | 10 | 115947001 | J1 | 42 | 20 | 151025001 | J2 | 2 | 22 |
| 021500106 | E | 25 | 12 | | D | 25 | 10 | 116010001 | A | 18 | 2 | 151027001 | J2 | 7 | 22 |
| | F | 53 | 14 | | E | 2 | 12 | 116509001 | Ga | | 39 | 151034001 | J2 | 6 | 22 |
| | Z2 | 20 | 36 | | F | 45 | 14 | 116510101 | Ga | | 39 | 151035001 | J2 | 5 | 22 |
| | Z2 | 29 | 36 | | L | 9 | 26 | 116511001 | Ga | | 39 | 153230101 | Z1 | 27 | 34 |
| | Z2 | 34 | 36 | | M | 42 | 30 | 116512001 | Ga | | 39 | 153882001 | Ga | | 41 |
| | Z2 | 36 | 36 | | Z1 | 41 | 34 | 117006001 | B | 6 | 4 | 153887001 | Ga | | 41 |
| 021500316 | J1 | 12 | 18 | | Z1 | 42 | 34 | 117133001 | Ga | | 39 | 153892001 | Ga | | 41 |
| 025030132 | G | 22 | 16 | 062501006 | Z2 | 38 | 36 | 117367001 | Ga | | 39 | 153897001 | Ga | | 41 |
| 025050236 | F | 48 | 14 | 062501016 | D | 4 | 10 | 117369001 | Ga | | 39 | 154125001 | Z1 | 7 | 34 |
| 025050336 | F | 43 | 14 | | F | 3 | 14 | 118735002 | C | 51 | 8 | 154560001 | M | 28 | 30 |
| 025060132 | G | 13 | 16 | | L | 18 | 26 | 118837001 | Z1 | 3 | 34 | 154567000 | C | 44 | 8 |
| 025060136 | J1 | 49 | 20 | 062501216 | A | 7 | 2 | 118954000 | F | 10 | 14 | 154965001 | J1 | 17 | 18 |
| | N | 6 | 32 | | E | 24 | 12 | 122991001 | Z1 | 1 | 34 | 155455101 | Ga | | 39 |
| | N | 15 | 32 | | F | 42 | 14 | 129458102 | F | 22 | 14 | 155459101 | Ga | | 39 |
| 025060236 | L | 70 | 28 | | F | 47 | 14 | 138843001 | Z2 | 28 | 36 | 155461101 | Ga | | 39 |
| 025100132 | F | 36 | 14 | | F | 52 | 14 | 140063001 | A | 1 | 2 | 155510001 | M | 29 | 30 |
| 025710132 | J1 | 11 | 18 | 062501406 | Z2 | 32 | 36 | 140890009 | L | 67 | 28 | 156112003 | Z2 | 15 | 36 |
| 025750132 | Z1 | 44 | 34 | 062501416 | A | 5 | 2 | 141208001 | E | 5 | 12 | 156557001 | J1 | 51 | 20 |
| 028050246 | Z2 | 19 | 36 | | D | 21 | 10 | 142002001 | Z1 | 6 | 34 | 158115001 | B | 20 | 4 |
| 031452206 | Z2 | 37 | 36 | 071063550 | D | 19 | 10 | 142274101 | L | 37 | 26 | | K | 13 | 24 |
| 047301842 | D | 11 | 10 | 076023800 | B | 17 | 4 | 142443001 | Z1 | 2 | 34 | 158430001 | Ga | | 41 |
| 048040342 | N | 2 | 32 | 081004070 | L | 28 | 26 | 142721001 | Z1 | 8 | 34 | 159575101 | Ga | | 39 |
| | N | 14 | 32 | | L | 32 | 26 | 142746002 | F | 21 | 14 | 159577001 | Ga | | 39 |
| 048060342 | F | 18 | 14 | 081009070 | N | 5 | 32 | 142990001 | Z2 | 26 | 36 | 159805001 | M | 24 | 30 |
| 048080342 | F | 35 | 14 | 081038070 | L | 21 | 26 | 142997001 | Z2 | 6 | 36 | 228475000 | L | 14 | 26 |
| 060350616 | C | 27 | 6 | 0A4400806 | L | 47 | 26 | 143611201 | F | 8 | 14 | S01005000 | Z2 | 11 | 36 |
| | C | 30 | 6 | 0A5501006 | L | 25 | 26 | 143612100 | F | 9 | 14 | S01567001 | J2 | 3 | 22 |
| 061350616 | M | 19 | 30 | 100032004 | H | 8 | 22 | 143613051 | F | 16 | 14 | S01568001 | J2 | 4 | 22 |
| | M | 37 | 30 | 100328001 | F | 25 | 14 | 143616001 | F | 17 | 14 | S01928151 | J1 | 50 | 20 |
| 062060816 | F | 7 | 14 | 100401002 | N | 30 | 32 | 143882001 | Z1 | 30 | 34 | S02747101 | Z2 | 12 | 36 |
| | F | 51 | 14 | 100463001 | Z1 | 49 | 34 | 143910009 | Z1 | 31 | 34 | S02779009 | Z2 | 22 | 36 |
| | L | 50 | 26 | 100477009 | Z1 | 13 | 34 | 144226001 | Z1 | 15 | 34 | S02788009 | Z2 | 23 | 36 |
| 062061016 | J1 | 48 | 20 | 100666002 | Z1 | 43 | 34 | 144504001 | M | 27 | 30 | S02789009 | Z2 | 24 | 36 |

| CODE | REF.NO | Page | CODE | REF.NO | Page | CODE | REF.NO | Page | CODE | REF.NO | Page |
|-----------|--------|------|-----------|--------|------|-----------|--------|------|-----------|--------|------|
| S04109001 | Z2 5 | 36 | S15766001 | Ga | 39 | S50098101 | F 24 | 14 | SA2507001 | E 27 | 12 |
| S05246000 | L 36 | 26 | S15767001 | Ga | 39 | S51282101 | Z2 4 | 36 | SA2511001 | F 2 | 14 |
| S07346101 | E 6 | 12 | S15768001 | Ga | 39 | S51283001 | Z2 2 | 36 | SA2512001 | F 4 | 14 |
| S07349001 | E 20 | 12 | S15771001 | Ga | 39 | S55663001 | Z1 14 | 34 | SA2515001 | F 5 | 14 |
| S07350001 | E 33 | 12 | S15772001 | Ga | 39 | SA1120001 | B 9 | 4 | SA2516001 | F 6 | 14 |
| S07353001 | E 13 | 12 | S15773001 | Ga | 39 | SA1174001 | E 3 | 12 | SA2523001 | F 26 | 14 |
| S07355051 | E 23 | 12 | S15774001 | Ga | 39 | SA1175001 | E 4 | 12 | SA2526001 | F 30 | 14 |
| S07374109 | F 38 | 14 | S15889001 | Z1 25 | 34 | SA1179001 | E 19 | 12 | SA2527001 | F 31 | 14 |
| S07376101 | F 49 | 14 | S17774001 | Z1 4 | 34 | | E 28 | 12 | SA2528101 | F 33 | 14 |
| S07419001 | J1 6 | 18 | S18964001 | D 15 | 10 | | E 30 | 12 | SA2529101 | F 34 | 14 |
| S07420000 | J1 5 | 18 | S20681000 | M 25 | 30 | SA1360101 | N 26 | 32 | SA2530001 | F 37 | 14 |
| S07494001 | H 12 | 22 | S20682105 | M 26 | 30 | SA1692102 | Sp | 38 | SA2531001 | F 39 | 14 |
| S07558309 | Z2 1 | 36 | S21149001 | Ga | 41 | SA1752014 | Z1 10 | 34 | SA2532001 | F 46 | 14 |
| S07575000 | C 23 | 6 | S21150001 | Ga | 41 | SA1752022 | Z1 10 | 34 | SA2533001 | F 50 | 14 |
| S07575001 | C 23 | 6 | S21798001 | Z2 17 | 36 | SA1962001 | Z1 32 | 34 | SA2543001 | G 4 | 16 |
| S07575002 | C 23 | 6 | S23418002 | N 19 | 32 | SA1963001 | Z1 33 | 34 | SA2544001 | G 6 | 16 |
| S07575003 | C 23 | 6 | | Z1 28 | 34 | SA1969001 | Z1 29 | 34 | SA2546001 | G 8 | 16 |
| S07575004 | C 23 | 6 | S23460001 | C 53 | 8 | SA1971101 | N 1 | 32 | SA2550001 | G 24 | 16 |
| S07575005 | C 23 | 6 | S23651001 | B 10 | 4 | SA1975001 | N 3 | 32 | SA2551001 | G 25 | 16 |
| S07575006 | C 23 | 6 | | B 18 | 4 | SA1978001 | N 4 | 32 | SA2553001 | G 16 | 16 |
| S07575007 | C 23 | 6 | | G 9 | 16 | SA1980001 | N 7 | 32 | SA2554001 | G 17 | 16 |
| S07575008 | C 23 | 6 | S25234001 | B 3 | 4 | SA1981101 | N 10 | 32 | SA2555001 | G 27 | 16 |
| S07575009 | C 23 | 6 | S25235001 | B 11 | 4 | SA1982101 | N 11 | 32 | SA2556001 | J1 41 | 20 |
| S07575010 | C 23 | 6 | S25236001 | B 12 | 4 | SA1983001 | N 12 | 32 | | J1 45 | 20 |
| S07575011 | C 23 | 6 | | F 13 | 14 | SA1984001 | N 16 | 32 | SA2557001 | J1 7 | 18 |
| S07588101 | D 26 | 10 | | K 11 | 24 | SA1985001 | N 18 | 32 | SA2560001 | J1 10 | 18 |
| S07746001 | J2 8 | 22 | S25260001 | B 8 | 4 | SA1988001 | N 20 | 32 | SA2562101 | J1 18 | 18 |
| S09259001 | J1 3 | 18 | | C 46 | 8 | SA1989001 | N 21 | 32 | SA2563101 | J1 34 | 18 |
| S09260001 | J1 4 | 18 | S25289001 | E 9 | 12 | SA1990101 | N 22 | 32 | SA2565001 | J1 44 | 20 |
| S09261001 | J1 4 | 18 | S25344001 | Z1 22 | 34 | SA1991001 | N 23 | 32 | SA2566001 | G 14 | 16 |
| S09285051 | Z1 12 | 34 | S25475101 | Z1 23 | 34 | SA1992101 | N 25 | 32 | SA2567001 | J1 46 | 20 |
| S09365001 | Ga 39 | 39 | S25789000 | N 9 | 32 | SA1994101 | N 28 | 32 | SA2568001 | J1 47 | 20 |
| S09367101 | Ga 39 | 39 | S31006001 | E 11 | 12 | SA2040001 | A 22 | 2 | SA2571001 | K 5 | 24 |
| S11244001 | H 7 | 22 | S31032001 | N 31 | 32 | | Wa | 37 | SA2574001 | J1 21 | 18 |
| S12441001 | N 32 | 32 | S31885001 | Z1 55 | 34 | SA2041001 | A 22 | 2 | | J1 24 | 18 |
| S13085001 | H 4 | 22 | S34438051 | A 17 | 2 | | Wa | 37 | | J1 24 | 20 |
| S13160001 | B 15 | 4 | S34561001 | C 11 | 6 | SA2165001 | E 29 | 12 | SA2575001 | J1 22 | 18 |
| S13588001 | Ga 41 | 41 | S34562001 | C 12 | 6 | SA2190001 | N 24 | 32 | | K 7 | 24 |
| S15711001 | Ga 39 | 39 | S34756001 | Z1 52 | 34 | SA2441001 | A 6 | 2 | SA2579001 | J1 35 | 20 |
| S15712001 | Ga 39 | 39 | S36562001 | Ga | 39 | SA2444101 | A 10 | 2 | SA2582001 | Z1 20 | 34 |
| S15713001 | Ga 39 | 39 | S36564001 | Ga | 39 | SA2445101 | A 11 | 2 | SA2584001 | K 8 | 24 |
| S15714001 | Ga 39 | 39 | S36663051 | A 16 | 2 | SA2447001 | A 12 | 2 | SA2585001 | F 12 | 14 |
| S15717001 | Ga 39 | 39 | S37037001 | Z2 31 | 36 | SA2449001 | A 14 | 2 | | K 10 | 24 |
| S15718001 | Ga 39 | 39 | | Z2 35 | 36 | SA2463001 | B 24 | 4 | | K 14 | 24 |
| S15719001 | Ga 39 | 39 | S37038001 | Z2 30 | 36 | SA2469001 | B 26 | 4 | SA2587101 | K 12 | 24 |
| S15720001 | Ga 39 | 39 | S37060001 | A 21 | 2 | SA2474201 | C 3 | 6 | SA2590001 | Z1 21 | 34 |
| S15723001 | Ga 39 | 39 | | Wa | 37 | SA2479001 | A 13 | 2 | SA2596001 | L 42 | 26 |
| S15724001 | Ga 39 | 39 | S37263001 | Z1 40 | 34 | | A 15 | 2 | SA2597001 | L 43 | 26 |
| S15725001 | Ga 39 | 39 | S38212001 | J1 16 | 18 | SA2485001 | C 45 | 8 | SA2598101 | L 45 | 26 |
| S15726001 | Ga 39 | 39 | S38266000 | L 11 | 26 | SA2486101 | C 47 | 8 | SA2599001 | L 27 | 26 |
| S15735001 | Ga 39 | 39 | S38274001 | M 32 | 30 | SA2489001 | C 49 | 8 | | L 31 | 26 |
| S15736001 | Ga 39 | 39 | S38278001 | Z1 51 | 34 | SA2490101 | C 52 | 8 | SA2604001 | L 56 | 26 |
| S15737001 | Ga 39 | 39 | S38300001 | Z1 47 | 34 | SA2493001 | C 58 | 8 | SA2605001 | L 57 | 26 |
| S15738001 | Ga 39 | 39 | S38428001 | F 19 | 14 | SA2494001 | C 59 | 8 | SA2606101 | L 61 | 26 |
| S15747001 | Ga 39 | 39 | S38648001 | Z2 9 | 36 | SA2495001 | E 1 | 12 | SA2607101 | M 1 | 30 |
| S15748001 | Ga 39 | 39 | S38707001 | B 4 | 4 | SA2496001 | E 7 | 12 | SA2613001 | M 4 | 30 |
| S15749001 | Ga 39 | 39 | | K 9 | 24 | SA2498001 | E 8 | 12 | SA2614001 | M 5 | 30 |
| S15750001 | Ga 39 | 39 | S39051001 | E 12 | 12 | SA2499001 | E 10 | 12 | SA2615001 | M 6 | 30 |
| S15753001 | Ga 39 | 39 | S39830101 | F 27 | 14 | SA2500001 | E 16 | 12 | SA2619001 | M 7 | 30 |
| S15754001 | Ga 39 | 39 | S40639001 | Z2 13 | 36 | SA2501001 | E 17 | 12 | SA2620001 | M 9 | 30 |
| S15755001 | Ga 39 | 39 | S48204000 | C 62 | 8 | SA2502001 | E 18 | 12 | SA2621001 | M 10 | 30 |
| S15756001 | Ga 39 | 39 | S48367000 | F 41 | 14 | SA2504001 | E 21 | 12 | SA2623001 | M 8 | 30 |
| S15765001 | Ga 39 | 39 | S49623000 | L 15 | 26 | SA2506001 | E 26 | 12 | SA2624001 | M 13 | 30 |

索引 / INDEX

| CODE | REF.NO | Page | CODE | REF.NO | Page | CODE | REF.NO | Page | CODE | REF.NO | Page |
|-----------|--------|------|-----------|--------|------|-----------|--------|------|------|--------|------|
| SA2625001 | M 14 | 30 | SA3062001 | F 1 | 14 | SA4391001 | C 15 | 6 | | | |
| SA2626001 | M 12 | 30 | SA3065001 | B 30 | 4 | SA4392001 | C 19 | 6 | | | |
| | M 15 | 30 | SA3067001 | F 40 | 14 | SA4393101 | C 34 | 6 | | | |
| SA2627001 | M 16 | 30 | SA3147001 | L 29 | 26 | SA4394001 | C 35 | 6 | | | |
| SA2628001 | M 17 | 30 | | L 33 | 26 | SA4395001 | C 22 | 6 | | | |
| SA2629001 | M 18 | 30 | | L 41 | 26 | SA4396001 | C 26 | 6 | | | |
| SA2630001 | M 21 | 30 | SA3415001 | M 2 | 30 | SA4397001 | C 28 | 6 | | | |
| SA2632001 | M 30 | 30 | SA3416001 | M 2 | 30 | SA4398001 | C 29 | 6 | | | |
| SA2633001 | M 33 | 30 | SA3417101 | M 1 | 30 | SA4399001 | C 31 | 6 | | | |
| SA2634001 | M 36 | 30 | SA3840001 | G 10 | 16 | SA4400001 | C 38 | 6 | | | |
| SA2635001 | M 38 | 30 | SA3855001 | G 1 | 16 | SA4401001 | C 36 | 6 | | | |
| SA2636001 | M 43 | 30 | SA3857001 | J1 8 | 18 | SA4402001 | D 1 | 10 | | | |
| SA2637001 | M 45 | 30 | SA3861001 | J1 9 | 18 | SA4404001 | D 5 | 10 | | | |
| SA2638001 | M 46 | 30 | SA3887001 | G 20 | 16 | SA4405001 | D 7 | 10 | | | |
| SA2639001 | M 40 | 30 | SA3888001 | G 21 | 16 | SA4406001 | D 10 | 10 | | | |
| SA2640001 | M 47 | 30 | SA3889101 | J1 13 | 18 | SA4408001 | D 12 | 10 | | | |
| SA2691101 | Z1 17 | 34 | SA3890001 | K 1 | 24 | SA4409001 | D 13 | 10 | | | |
| SA2692101 | Z1 18 | 34 | SA3891001 | K 3 | 24 | SA4411101 | D 14 | 10 | | | |
| SA2720101 | B 22 | 4 | SA3894001 | J1 31 | 18 | SA4412001 | D 17 | 10 | | | |
| SA2722001 | J1 43 | 20 | | J1 31 | 20 | SA4413001 | D 20 | 10 | | | |
| SA2723001 | L 22 | 26 | SA3896001 | L 26 | 26 | SA4414001 | D 23 | 10 | | | |
| SA2724001 | G 34 | 16 | SA3898001 | L 30 | 26 | SA4415001 | D 24 | 10 | | | |
| | L 23 | 26 | SA3916001 | J1 39 | 20 | SA4416001 | D 27 | 10 | | | |
| SA2727101 | L 35 | 26 | SA3923001 | L 54 | 26 | SA4417001 | D 29 | 10 | | | |
| SA2748001 | B 16 | 4 | SA3924001 | A 2 | 2 | SA4418001 | D 31 | 10 | | | |
| SA2750001 | B 19 | 4 | SA3946001 | L 3 | 26 | SA4419001 | D 15 | 10 | | | |
| SA2759101 | K 6 | 24 | SA3961001 | J1 2 | 18 | SA4437101 | J1 1 | 18 | | | |
| SA2768101 | Z1 37 | 34 | SA3965001 | G 2 | 16 | SA4438101 | J1 33 | 18 | | | |
| SA2769001 | Z1 38 | 34 | SA3988001 | J1 38 | 20 | SA4441001 | D 6 | 10 | | | |
| SA2770101 | Z1 39 | 34 | SA3990001 | G 19 | 16 | SA4444001 | J1 4 | 18 | | | |
| SA2791001 | F 11 | 14 | SA4009001 | G 32 | 16 | SA4506001 | M 34 | 30 | | | |
| SA2793001 | F 14 | 14 | SA4011001 | G 35 | 16 | SA4507001 | M 35 | 30 | | | |
| SA2796001 | F 28 | 14 | SA4012001 | J1 30 | 18 | SA4508001 | L 44 | 26 | | | |
| SA2806001 | G 30 | 16 | | J1 30 | 20 | SA4537001 | B 28 | 4 | | | |
| SA2814201 | L 1 | 26 | SA4014001 | L 66 | 28 | SA4538001 | G 29 | 16 | | | |
| SA2824001 | M 20 | 30 | SA4026001 | J1 14 | 18 | SA4549001 | J1 20 | 18 | | | |
| SA2825001 | J1 40 | 20 | SA4028001 | G 3 | 16 | SA4550001 | B 1 | 4 | | | |
| SA2861001 | B 13 | 4 | SA4033101 | L 13 | 26 | SA4583001 | C 24 | 6 | | | |
| SA2867001 | Z2 7 | 36 | SA4038001 | J1 4 | 18 | SA4585001 | K 2 | 24 | | | |
| SA2927001 | G 12 | 16 | SA4042001 | J1 26 | 18 | | K 4 | 24 | | | |
| SA2928001 | G 28 | 16 | SA4043001 | J1 36 | 20 | SA5154201 | L 17 | 26 | | | |
| SA2929001 | A 20 | 2 | SA4044001 | J1 28 | 18 | SA5155001 | C 40 | 6 | | | |
| | L 10 | 26 | SA4045001 | J1 37 | 20 | SA5224001 | L 12 | 26 | | | |
| | L 19 | 26 | SA4052001 | Ga 39 | 39 | SA5237101 | C 41 | 6 | | | |
| SA2956001 | L 4 | 26 | SA4117001 | C 54 | 8 | SA5293001 | L 16 | 26 | | | |
| SA2957001 | L 5 | 26 | SA4118001 | C 56 | 8 | SA5332001 | C 61 | 8 | | | |
| SA3037001 | L 38 | 26 | SA4149101 | E 31 | 12 | SA5333001 | D 9 | 10 | | | |
| SA3040001 | L 2 | 26 | SA4212001 | M 3 | 30 | SA5336001 | D 3 | 10 | | | |
| | L 39 | 26 | SA4213001 | K 15 | 24 | SA5588001 | D 22 | 10 | | | |
| SA3044001 | L 51 | 26 | SA4214001 | B 23 | 4 | SA6152001 | G 11 | 16 | | | |
| SA3045201 | L 48 | 26 | SA4364001 | A 3 | 2 | SA6166001 | B 5 | 4 | | | |
| SA3046001 | L 49 | 26 | SA4368001 | B 14 | 4 | SA6178001 | L 8 | 26 | | | |
| SA3047001 | L 53 | 26 | SA4370101 | A 8 | 2 | SA6294001 | J1 52 | 18 | | | |
| SA3048101 | L 63 | 26 | SA4373001 | B 2 | 4 | | J1 52 | 20 | | | |
| SA3049001 | L 64 | 28 | SA4376101 | B 29 | 4 | SA6301001 | J1 23 | 18 | | | |
| SA3055101 | L 6 | 26 | SA4377101 | C 1 | 6 | | J1 23 | 20 | | | |
| | L 7 | 26 | SA4378001 | C 2 | 6 | SA6307001 | J1 53 | 18 | | | |
| | L 24 | 26 | SA4382001 | C 5 | 6 | | J1 53 | 20 | | | |
| | L 52 | 26 | SA4385001 | C 6 | 6 | SA6308001 | G 31 | 16 | | | |
| SA3056001 | F 20 | 14 | SA4387001 | C 7 | 6 | | | | | | |
| SA3059101 | B 31 | 4 | SA4387002 | C 7 | 6 | | | | | | |
| SA3060001 | L 40 | 26 | SA4387003 | C 7 | 6 | | | | | | |
| SA3061001 | L 34 | 26 | SA4389001 | C 21 | 6 | | | | | | |

brother[®]



パーツブック
PARTS BOOK

ブラザー工業株式会社

BROTHER INDUSTRIES, LTD.

Printed in Japan

T-8750B
SA4426-001
2005.04.B (1)