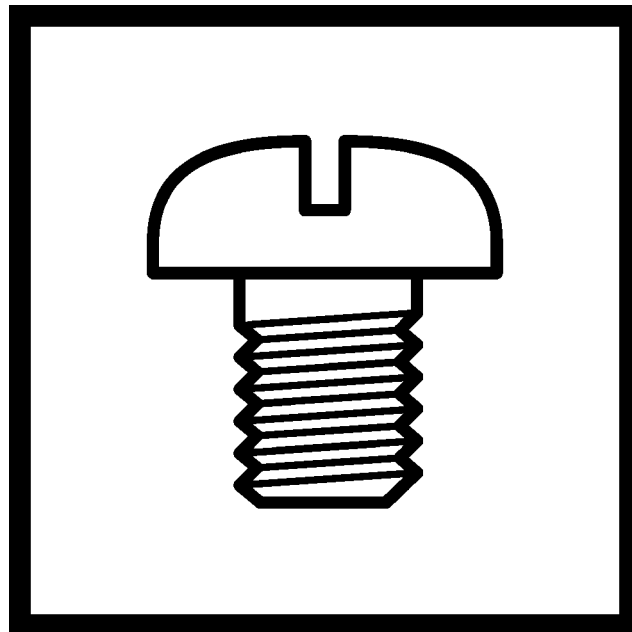


T-8452A

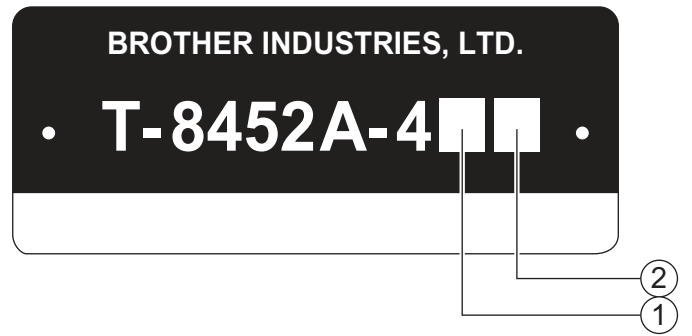
パーツブック
PARTS BOOK

2本針本縫ダイレクトドライブ角縫自動糸切りミシン
TWIN NEEDLE DIRECT DRIVE SPLIT NEEDLE BAR LOCK STITCHER
WITH THREAD TRIMMER



brother®


最新の部品情報は Parts Navigation でご覧いただけます。 <http://partsbook.brother.co.jp/partsnavi/jpn/index.html>
The latest parts information, refer to the Parts Navigation. <http://partsbook.brother.co.jp/partsnavi/eng/index.html>



① — 0: 微量給油仕様 / Minimum lubrication type

② — 3: 中厚物 / Medium-weight materials
5: 厚物 / Heavy-weight materials


パーツブックご利用に際して

1. この本は、2005年01月のデータに基づいて作成されたものです。
2. 部品は予告なしに設計変更される場合があります。
3. 組単位で補給する部品は、破線で示してあります。
4. 部品コード欄が*となっている場合は、仕様別部品一覧表及びゲージ部品一覧表でお調べ下さい。
(52から56ページ)

目 次

| | |
|-------------------------------|----|
| A. 主体関係 | 1 |
| B. 上軸関係 | 3 |
| C. 針棒揺動関係 | 5 |
| D. 針棒切替操作関係 | 9 |
| E. 押え関係 | 11 |
| F. 送り関係 | 13 |
| G. 逆転関係 | 15 |
| H. 逆転スイッチ関係 | 15 |
| J. 送り軸関係 | 17 |
| K1. かま関係 | 19 |
| K2. かま関係 | 23 |
| L. ゲージ関係 | 23 |
| M. 下軸関係 | 25 |
| N. 糸緩め関係 | 25 |
| P. 給油潤滑関係 | 27 |
| Q. 糸通し関係 | 31 |
| R. 糸巻関係 | 33 |
| S. 糸切り関係 | 35 |
| T. 糸払い関係 | 37 |
| U1. コントロールボックス、モータ関係 | 39 |
| U2. コントロールボックス関係 | 41 |
| V. 電装品関係 | 44 |
| W. 電磁押え上げセット関係(オプション部品) | 45 |
| Z1. 付属品関係 | 47 |
| Z2. 付属品関係 | 49 |
| Wa. 警告ラベル | 51 |
| Sp. 仕様別部品一覧表 | 52 |
| Ga1. ゲージ一覧表 | 53 |
| 索引 | 57 |

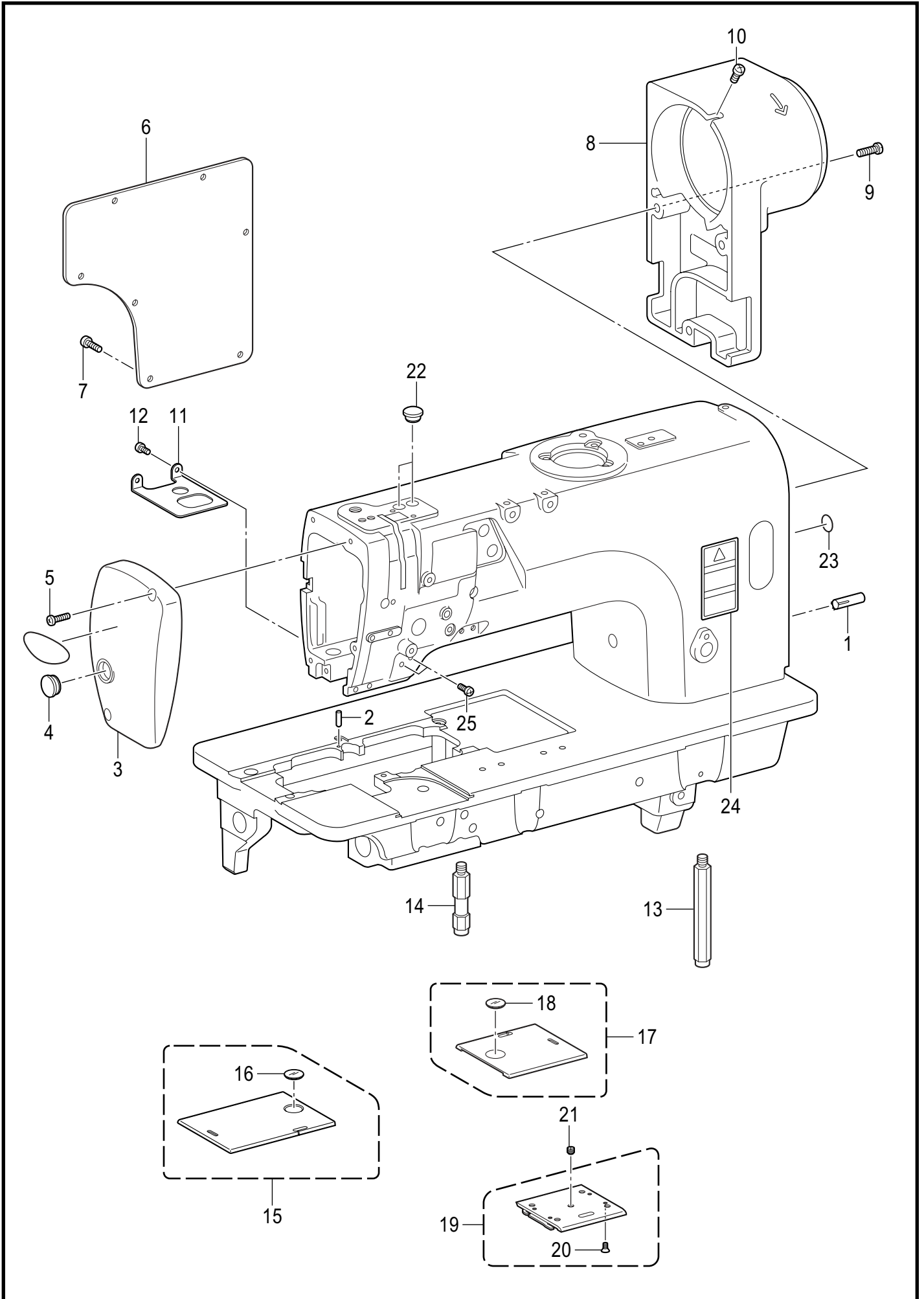
Notes for using this parts book

1. This book was prepared based on information available in January 2005.
2. Parts are subject to changes in design without prior notice.
3. Parts supplied as complete assemblies are circled by a dotted line .
4. If the symbol * is found in the " Parts No." column, refer to the different parts lists, gauge parts list on page 52 -56.

CONTENTS

| | |
|---|----|
| A. Machine body | 1 |
| B. Upper shaft mechanism | 3 |
| C. Needle bar rocking mechanism | 5 |
| D. Needle bar flip-up mechanism | 9 |
| E. Presser foot mechanism | 11 |
| F. Feed mechanism | 13 |
| G. Quick reverse mechanism | 15 |
| H. Quick reverse switch mechanism | 15 |
| J. Feed shaft mechanism | 17 |
| K1. Rotary hook mechanism | 19 |
| K2. Rotary hook mechanism | 23 |
| L. Gauge parts | 23 |
| M. Lower shaft mechanism | 25 |
| N. Tension release mechanism | 25 |
| P. Lubrication | 27 |
| Q. Threading mechanism | 31 |
| R. Bobbin winder mechanism | 33 |
| S. Thread trimmer mechanism | 35 |
| T. Thread wiper mechanism | 37 |
| U1. Control box and motor mechanism | 39 |
| U2. Control box mechanism | 41 |
| V. Power supply equipment mechanism | 44 |
| W. Presser foot lifting solenoid set (Option parts) | 45 |
| Z1. Accessories | 47 |
| Z2. Accessories | 49 |
| Wa. Warning labels | 51 |
| Sp. Different parts list | 52 |
| Ga1. Gauge parts list | 53 |
| Index | 57 |

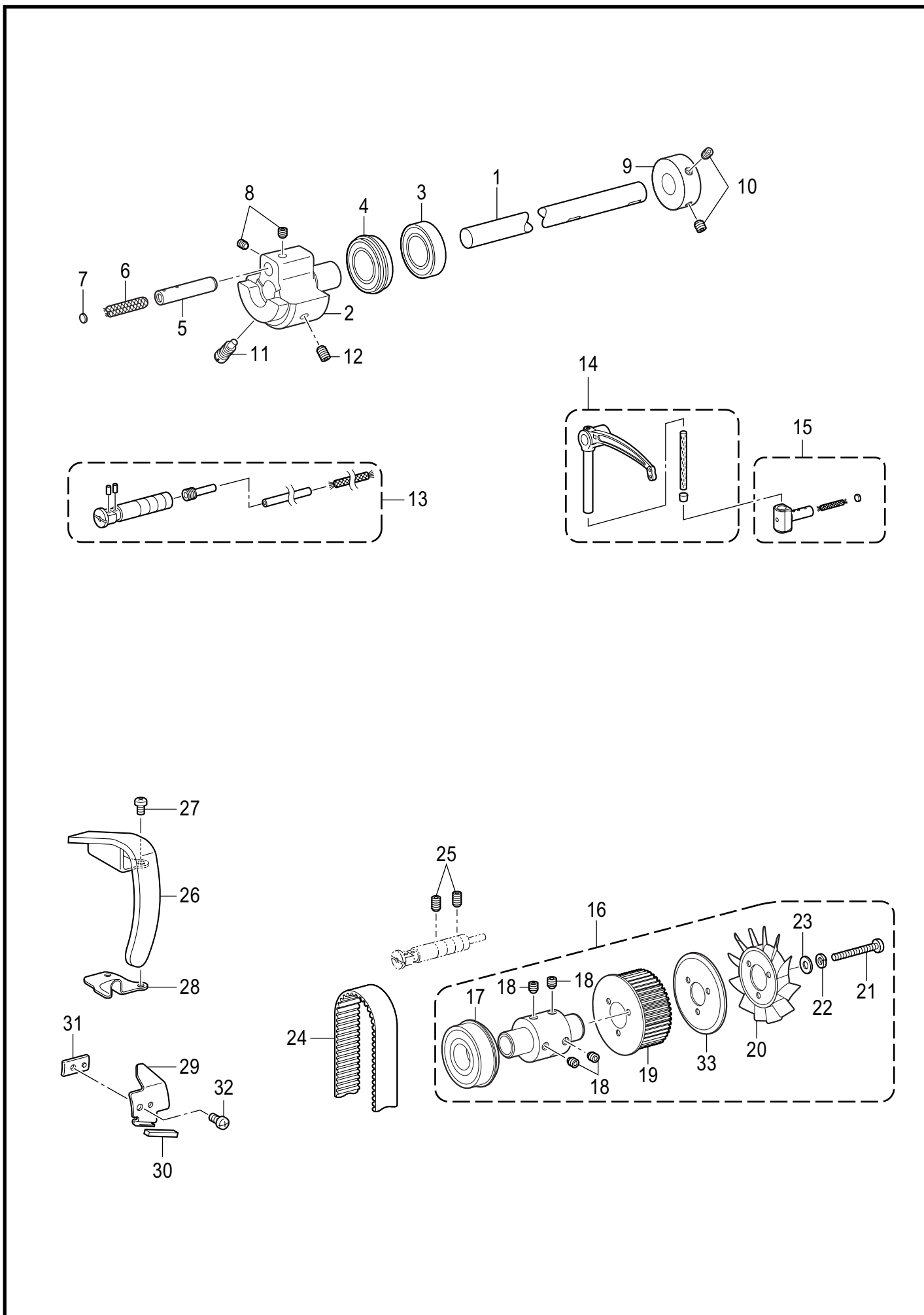
A. 主体関係 / Machine body



A . 主体関係 / Machine body

| REF.NO | CODE | Q'TY | 品名 | NAME OF PARTS | RM |
|--------|-----------|------|---------------------------|--|----|
| 1 | 140063001 | 2 | ミゾツキピン | DOWEL PIN | |
| 2 | SA3924001 | 1 | ハリイタイチキメピン | POSITIONING PIN | |
| 3 | SA4364001 | 1 | メンイタ | FACE PLATE | |
| 4 | 104449001 | 1 | ゴムセン15.5 | RUBBER CAP, 15.5 | |
| 5 | 062501416 | 2 | ナベコ5X14 | SCREW PAN M5X14 | |
| 6 | SA2441001 | 1 | ガワイタ | REAR COVER | |
| 7 | 062501216 | 7 | ナベコ5X12 | SCREW, PAN M5X12 | |
| 8 | SA2442101 | 1 | モータカバー | MOTOR COVER | |
| 9 | 062501416 | 3 | ナベコ5X14 | SCREW, PAN M5X14 | |
| 10 | 062501016 | 1 | ナベコ5X10 | SCREW, PAN M5X10 | |
| 11 | SA4370101 | 1 | ダストプレート | DUST PROTECTOR | |
| 12 | 062500616 | 2 | ナベコ5X6 | SCREW, PAN M5X6 | |
| 13 | SA2444101 | 1 | キヤクチュウL | BED LEG,L | |
| 14 | SA2445101 | 1 | キヤクチュウS | BED LEG,S | |
| 15 | SA2447001 | 1 | スベリイタLクミ | SLIDE PLATE, LA ASSY | |
| 16 | SA2479001 | 1 | スベリイタマド | BOBBIN WINDOW | |
| 17 | SA2449001 | 1 | スベリイタRクミ | SLIDE PLATE ASSY, R | |
| 18 | SA2479001 | 1 | スベリイタマド | BOBBIN WINDOW | |
| 19 | S36663051 | 1 | スベリイタFクミ | SLIDE PLATE F ASSY | |
| 20 | S34438051 | 4 | サラネジ3.18X4 | SCREW, FLAT SM3.18-40X4 | |
| 21 | 116010001 | 1 | トメネジ5.16 | SET SCREW, SM5.16-40X4 | |
| 22 | SA2929001 | 2 | ゴムセン12.5 | RUBBER CAP, 12.5 | |
| 23 | S37060001 | 1 | アースマーク | LABEL, GROUNDING | |
| 24 | SA2040001 | 1 | <日本向用> ラベルチュウイ.ワイ | < For Japan only > LABEL, CAUTION JPN/ENG | |
| 24 | SA2041001 | 1 | <日本向以外用> ラベルチュウイ.チュウエイ | < Except for Japan > LABEL, CAUTION CHN/ENG | |
| 25 | 062500816 | 2 | ナベコ5X8 | SCREW PAN M5X8 | |

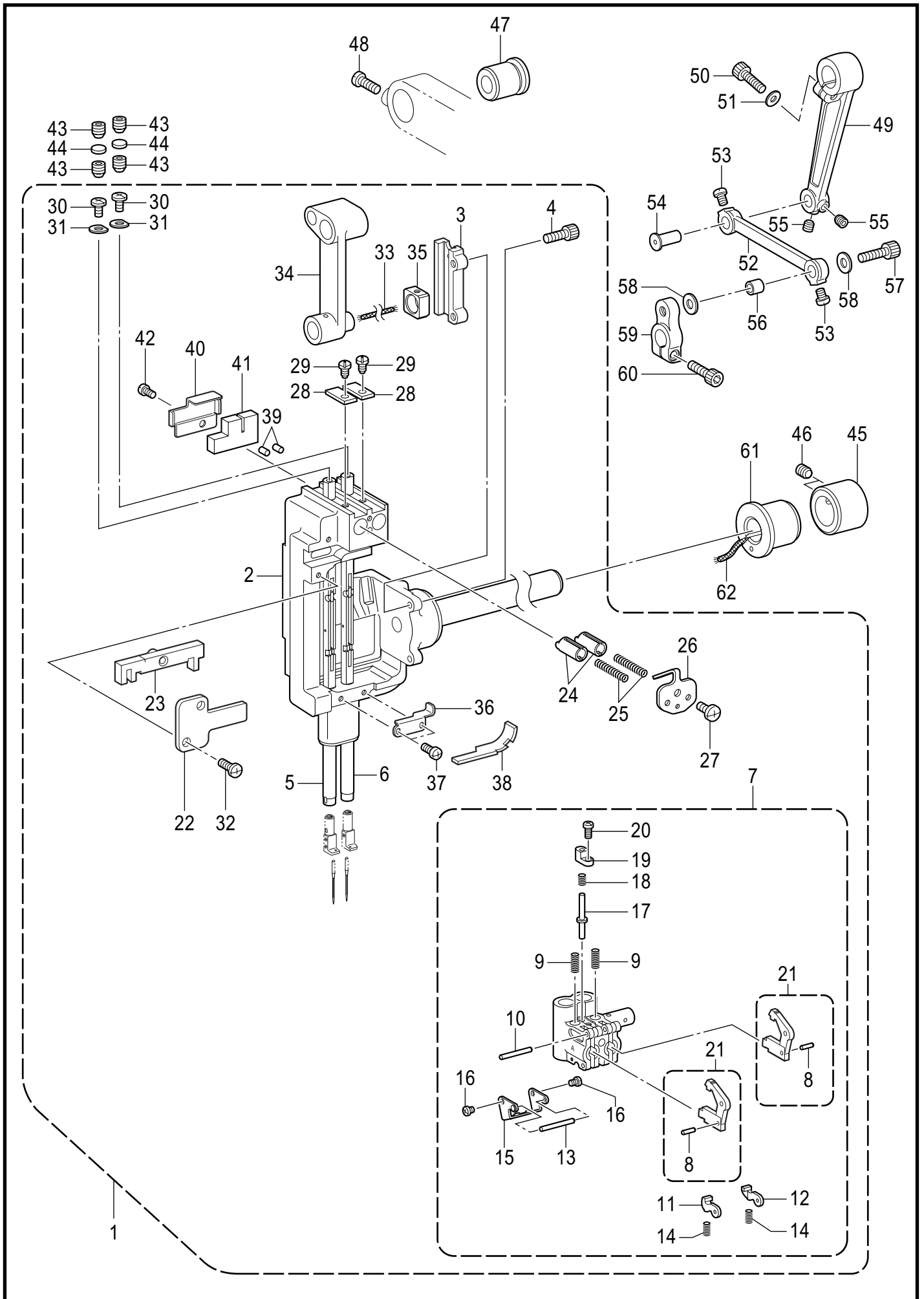
B . 上軸關係 / Upper shaft mechanism



B . 上軸関係 / Upper shaft mechanism

| REF.NO | CODE | Q'TY | 品名 | NAME OF PARTS | RM |
|--------|-----------|------|----------------|---------------------------------|----|
| 1 | SA4551001 | 1 | ウワジクDD | UPPER SHAFT, DD | |
| 2 | SA4373001 | 1 | テンビンクランク | THREAD TAKE-UP CRANK | |
| 3 | S25234001 | 1 | タマジクウケ6004ZZ | BALL BEARING, 6004ZZ | |
| 4 | S38707001 | 1 | タマジクウケ6004ZZNR | BALL BEARING, 6004ZZNR | |
| 5 | SA6166001 | 1 | ハリボウクランクジク | CRANKSHAFT | |
| 6 | 117006001 | 1 | クミヒモ | WICK, L=60 | |
| 7 | 113014000 | 1 | クミヒモフタ | PUSHER | |
| 8 | S25260001 | 2 | アナヒラ6X5ホソメ | SET SCREW, SOCKET (FT) M6X5 | |
| 9 | SA1120001 | 1 | イトマキドウリン | BOBBIN WINDER DRIVING WHEEL | |
| 10 | S23651001 | 2 | アナヒラ6X6ホソメ | SET SCREW, SOCKET (FT) M6X6 | |
| 11 | S25235001 | 1 | シメネジ8 | SCREW, M8 | |
| 12 | S25236001 | 1 | アナヒラ6X10ホソメ | SET SCREW, SOCKET (FT) M6X10 | |
| 13 | SA2861101 | 1 | テンビンササエジクソウクミ | THREAD TAKE-UP S-SHAFT UNIT | |
| 14 | SA2935101 | 1 | テンビンS3-Lクミ | THREAD TAKE-UP LEVER ASSY, S3-L | |
| 15 | S13160001 | 1 | テンビンスベリコ2クミ | T-TAKE-UP SLIDE BLOCK ASSY, 2 | |
| 16 | SA2460001 | 1 | ツギテソウクミ | PRESSER ADJUSTING UNIT | |
| 17 | S38710001 | 1 | タマジクウケ6204ZZNR | BALL BEARING, 6204ZZNR | |
| 18 | S23651001 | 4 | アナヒラ6X6ホソメ | SET SCREW, SOCKET (FT) M6X6 | |
| 19 | SA2461001 | 1 | タイミングプーリU DD | TIMING PULLEY, U DD | |
| 20 | S38713100 | 1 | ファン | FAN | |
| 21 | 062403512 | 3 | ナベコ4X35 | SCREW, PAN M4X35 | |
| 22 | 028040242 | 3 | バネザガネ2-4 | WASHER, SPRING 2-4 | |
| 23 | 025040232 | 3 | ヒラザガネチユウ4 | WASHER, PLAIN M 4 | |
| 24 | SA2463001 | 1 | タイミングベルト | TIMING BELT | |
| 25 | 012061036 | 2 | アナヒラ6X10 | SET SCREW, SOCKET (FT) M6X10 | |
| 26 | SA2469001 | 1 | テンビンカバー | THREAD TAKE-UP LEVER COVER | |
| 27 | 062500816 | 2 | ナベコ5X8 | SCREW, PAN M5X8 | |
| 28 | SA3057001 | 1 | ダストカバー | DUST COVER | |
| 29 | SA4376101 | 1 | シャハイバン | SHELTER PLATE | |
| 30 | SA3065001 | 1 | フェルト | FELT | |
| 31 | SA3059001 | 1 | シャハイバンオサエ | HOLDER, SHELTER PLATE | |
| 32 | 062500816 | 1 | ナベコ5X8 | SCREW, PAN M5X8 | |
| 33 | SA2462001 | 1 | プーリUフランジ | PULLEY U FLANGE | |

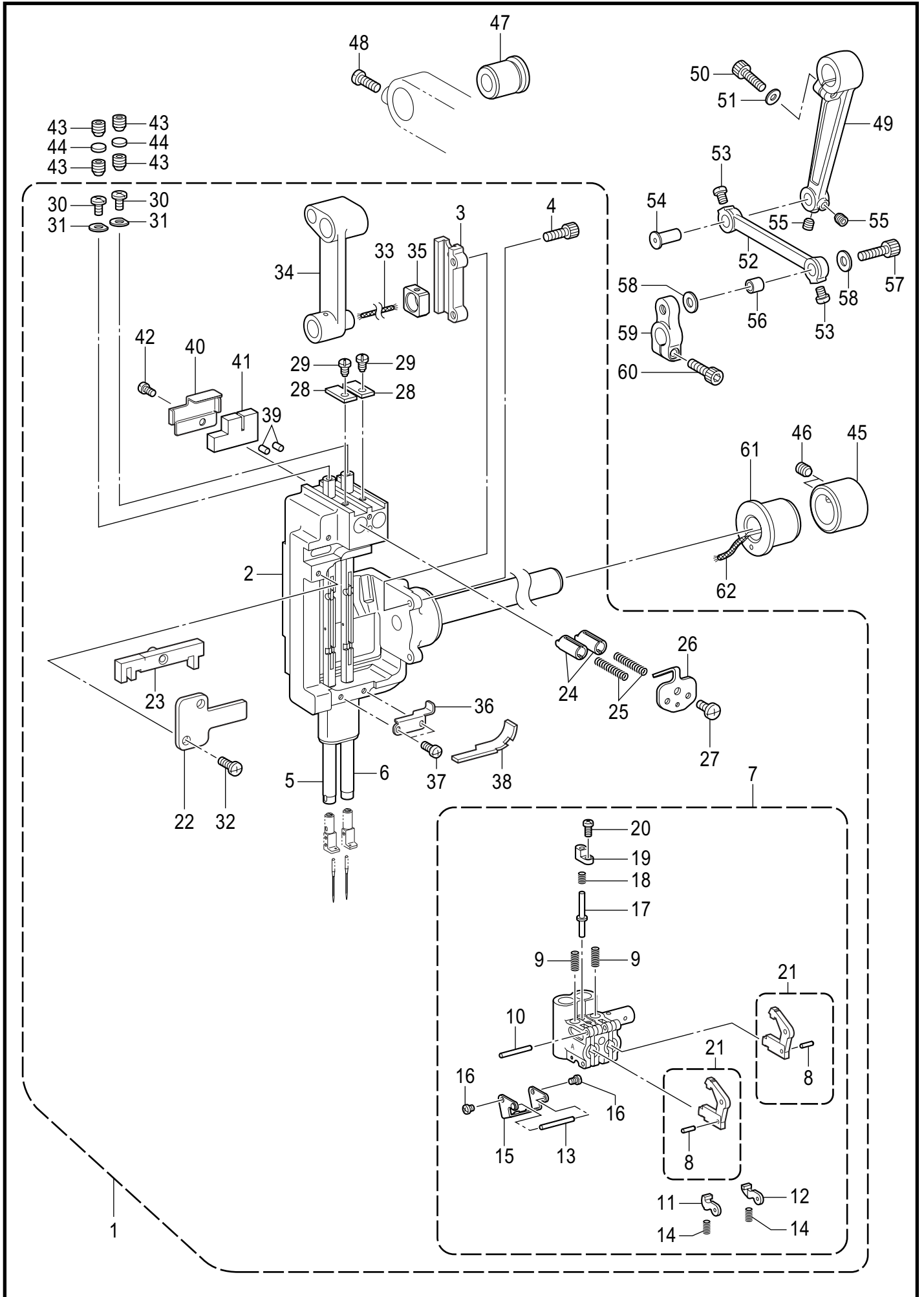
C . 針棒搖動關係 / Needle bar rocking mechanism



C. 針棒揺動関係 / Needle bar rocking mechanism

| REF.NO | CODE | Q'TY | 品名 | NAME OF PARTS | RM |
|--------|-----------|------|----------------|--|----|
| 1 | SA4377001 | 1 | ハリボウヨウドウジクミ | NEEDLE BAR ROCKER SHAFT ASSY | |
| 2 | SA4378001 | 1 | ハリボウダイクミ | NEEDLE BAR BASE ASSY | |
| 3 | SA2474201 | 1 | カクコマスライダ | SLIDE BLOCK SLIDER | |
| 4 | 018401036 | 2 | アナボルト4X10 | BOLT SOCKET M4X10 | |
| 5 | SA4382001 | 1 | ハリボウLクミ | NEEDLE BAR ASSY, L | |
| 6 | SA4385001 | 1 | ハリボウRクミ | NEEDLE BAR ASSY, R | |
| | | | 必ず記号を確認後注文のこと | Need check the "Mark" the following parts before ordering. | |
| 7 | SA4387001 | 1 | ハリボウダキクミ <記号A> | NEEDLE BAR CLAMP ASSY <Mark A> | |
| 7 | SA4387002 | 1 | ハリボウダキクミ <記号B> | NEEDLE BAR CLAMP ASSY <Mark B> | |
| 7 | SA4387003 | 1 | ハリボウダキクミ <記号C> | NEEDLE BAR CLAMP ASSY <Mark C> | |
| 8 | 149604001 | 2 | ピン1.5X5.8 | PIN, 1.5X5.8 | |
| 9 | 149605001 | 2 | クラツチテコバネ | SPRING, CLUTCH LEVER | |
| 10 | 149827001 | 1 | ピン2X15.8 | PIN, 2X15.8 | |
| 11 | S34561001 | 1 | クラツチトメL | CLUTCH STOPPER, L | |
| 12 | S34562001 | 1 | クラツチトメR | CLUTCH STOPPER, R | |
| 13 | 149608001 | 1 | ピン2X17.8 | PIN, 2X17.8 | |
| 14 | 112609001 | 2 | スベリイタストツパバネ | SPRING | |
| 15 | SA4391001 | 1 | バネササエ | SPRING HOLDER | |
| 16 | 062260316 | 2 | ナベコ26X3 | SCREW PAN M2.6X3 | |
| 17 | 149610001 | 1 | リリースピン | PIN | |
| 18 | 149611101 | 1 | リリースピンバネ | SPRING, RELEASE PIN | |
| 19 | SA4392001 | 1 | リリースピンフタ | PIN COVER | |
| 20 | 062260516 | 1 | ナベコ26X5 | SCREW PAN M2.6X5 | |
| 21 | SA4389001 | 2 | クラツチテコクミ | CLUTCH LEVER ASSY | |
| 22 | SA4395001 | 1 | スベリコアンナイイタ | SLIDE BLOCK GUIDE PLATE | |
| | | | 必ず記号を確認後注文のこと | Need check the "Mark" the following parts before ordering. | |
| 23 | S07575000 | 1 | スベリコクミ <記号25> | SLIDE BLOCK ASSY, 25 <Mark 25> | |
| 23 | S07575001 | 1 | スベリコクミ <記号30> | SLIDE BLOCK ASSY, 30 <Mark 30> | |
| 23 | S07575002 | 1 | スベリコクミ <記号35> | SLIDE BLOCK ASSY, 35 <Mark 35> | |
| 23 | S07575003 | 1 | スベリコクミ <記号40> | SLIDE BLOCK ASSY, 40 <Mark 40> | |
| 23 | S07575004 | 1 | スベリコクミ <記号45> | SLIDE BLOCK ASSY, 45 <Mark 45> | |
| 23 | S07575005 | 1 | スベリコクミ <記号50> | SLIDE BLOCK ASSY, 50 <Mark 50> | |
| 23 | S07575006 | 1 | スベリコクミ <記号55> | SLIDE BLOCK ASSY, 55 <Mark 55> | |
| 23 | S07575007 | 1 | スベリコクミ <記号60> | SLIDE BLOCK ASSY, 60 <Mark 60> | |
| 23 | S07575008 | 1 | スベリコクミ <記号65> | SLIDE BLOCK ASSY, 65 <Mark 65> | |
| 23 | S07575009 | 1 | スベリコクミ <記号70> | SLIDE BLOCK ASSY, 70 <Mark 70> | |
| 23 | S07575010 | 1 | スベリコクミ <記号75> | SLIDE BLOCK ASSY, 75 <Mark 75> | |
| 23 | S07575011 | 1 | スベリコクミ <記号80> | SLIDE BLOCK ASSY, 80 <Mark 80> | |
| 24 | SA4583001 | 2 | ハリボウストツパー | STOPPER, N-BAR | |
| 25 | 149622001 | 2 | ハリボウストツパーバネ | SPRING, N-BAR STOPPER | |
| 26 | SA4396001 | 1 | バネフタ | SPRING COVER | |
| 27 | 060350616 | 1 | バインド35X6 | SCREW BIND M3.5X6 | |
| 28 | SA4397001 | 2 | ハリボウマワリトメ | ROTATE STOPPER, N-BAR | |
| 29 | SA4398001 | 2 | シメネジ3.5 | SCREW, SM3.5 | |
| 30 | 060350616 | 2 | バインド35X6 | SCREW BIND M3.5X6 | |
| 31 | SA4399001 | 2 | ザガネ | WASHER, PLANE | |
| 32 | 062350816 | 2 | ナベコ35X8 | SCREW PAN M3.5X8 | |
| 33 | 112728001 | 1 | クミヒモ | WICK, L=50 | |
| 34 | SA4393001 | 1 | ハリボウクランクロツド | CRANK ROD, N-BAR | |
| 35 | SA4394001 | 1 | カクコマ | SLIDE BLOCK | |
| 36 | SA4401001 | 1 | フェルトオサエD | FELT SUPPORT, D | |
| 37 | 062350516 | 2 | ナベコ35X5 | SCREW PAN M3.5X5 | |
| 38 | SA4400001 | 1 | フェルト | FELT | |
| 39 | 107155001 | 2 | フェルト | FELT | |
| 40 | SA5155001 | 1 | フェルトササエ | FELT SUPPORT | |

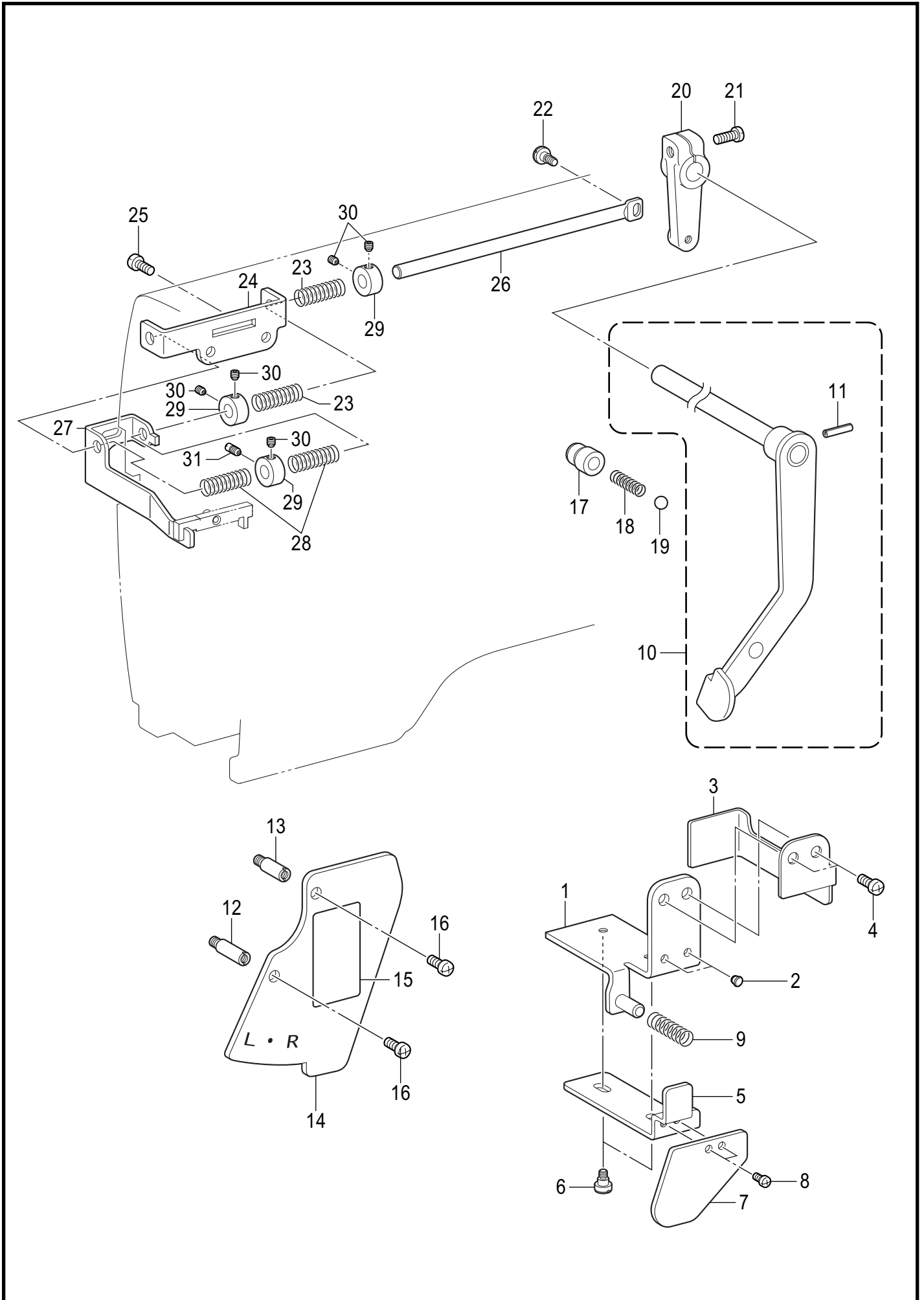
C . 針棒搖動關係 / Needle bar rocking mechanism



C. 針棒揺動関係 / Needle bar rocking mechanism

| REF.NO | CODE | Q'TY | 品名 | NAME OF PARTS | RM |
|--------|-----------|------|-------------|------------------------------|----|
| 41 | SA5237101 | 1 | フェルト | FELT | |
| 42 | 062350516 | 1 | ナベコ35X5 | SCREW PAN M3.5X5 | |
| 43 | 014080831 | 4 | アナクボミ8X8 | SET SCREW SOCKET (CP) M8X8 | |
| 44 | 154567000 | 2 | カンザ5.3 | SPACER, 5.3 | |
| 45 | SA2485001 | 1 | セットカラ- | SET SCREW COLLAR | |
| 46 | S25260001 | 2 | アナヒラ6X5ホソメ | SET SCREW,SOCKET (FT) M6X5 | |
| 47 | SA2486101 | 1 | ヨウドウジクメタルR | BUSH, R | |
| 48 | 062061616 | 1 | ナベコ6X16 | SCREW PAN M6X16 | |
| 49 | SA2489001 | 1 | ハリボウヨウドウレバー | NEEDLE BAR ROCKER LEVER ASSY | |
| 50 | 018062032 | 1 | アナボルト6X20 | BOLT SOCKET M6X20 | |
| 51 | 118735002 | 1 | ザガネ | WASHER | |
| 52 | SA2490101 | 1 | ハリボウヨウドウリンク | ROCKER LINK, N-BAR | |
| 53 | S23460001 | 2 | ナベコ6X5 | SCREW, PAN M6X5 | |
| 54 | SA4117001 | 1 | ヨウドウリンクジクP | LINK SHAFT, N-BAR ROCKER P | |
| 55 | 012060636 | 2 | アナヒラ6X6 | SET SCREW SOCKET (FT) M6X6 | |
| 56 | SA4118001 | 1 | ヨウドウリンクカラ-P | ZIGZAG LINK BUSH, P | |
| 57 | 018062532 | 1 | アナボルト6X25 | BOLT SOCKET M6X25 | |
| 58 | SA2493001 | 2 | ザガネ | WASHER,PLAIN | |
| 59 | SA2494001 | 1 | ハリボウヨウドウウデ | NEEDLE BAR ROCK ARM | |
| 60 | 018062032 | 1 | アナボルト6X20 | BOLT SOCKET M6X20 | |
| 61 | SA5332001 | 1 | ヨウドウジクメタルL | BUSH, L | |
| 62 | S48204000 | 1 | クミヒモ4X4 | WICK, 4X4 L=150 | |

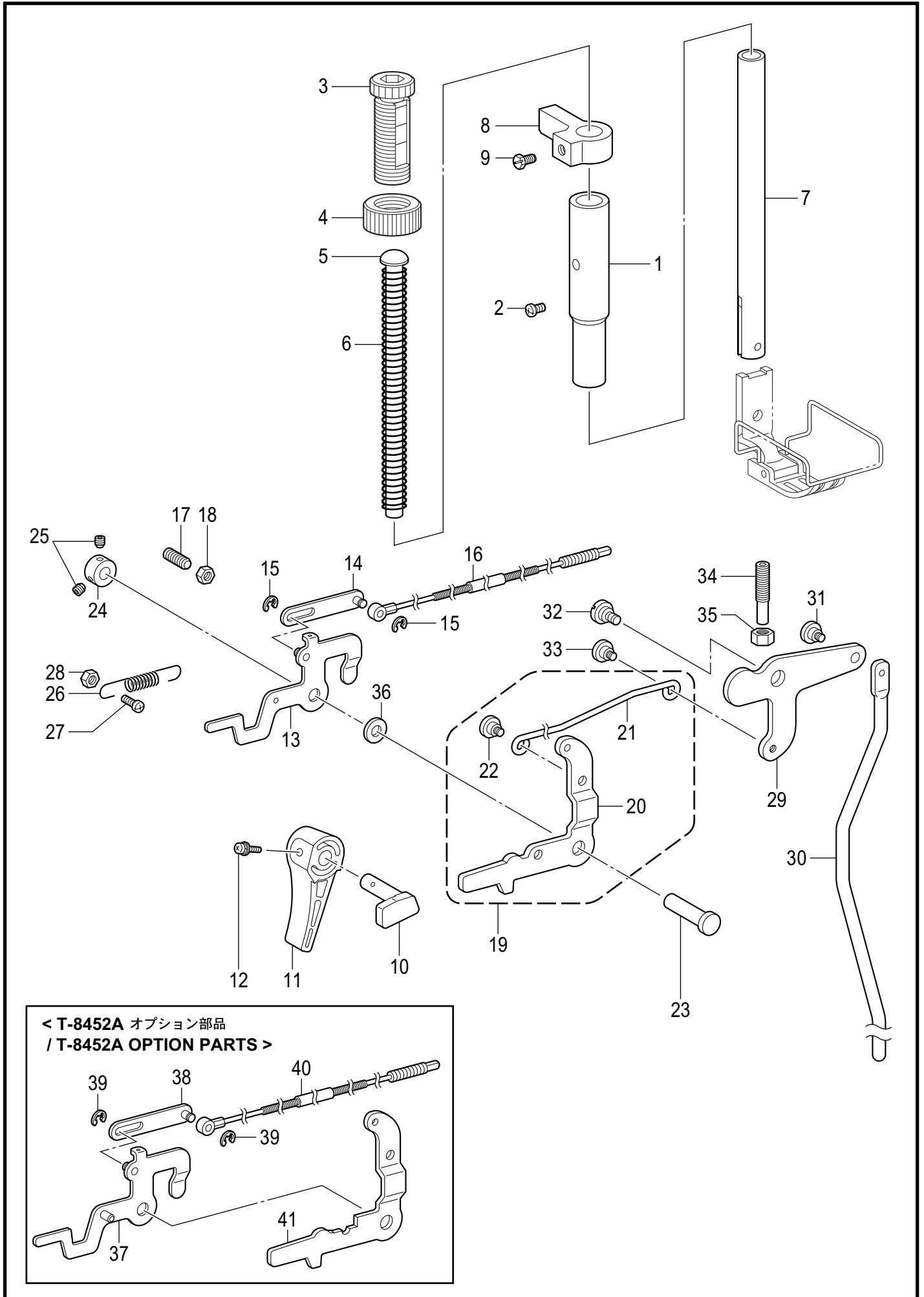
D. 針棒切換操作關係 / Needle bar flip-up mechanism



D. 針棒切替操作関係 / Needle bar flip-up mechanism

| REF.NO | CODE | Q'TY | 品名 | NAME OF PARTS | RM |
|--------|-----------|------|-------------------------------|-----------------------------|----|
| 1 | SA4402001 | 1 | シジイタクミ | INDICATION PLATE ASSY | |
| 2 | 104833001 | 2 | ゴムセン4.3 | RUBBER CAP, 4.3 | |
| 3 | SA5336001 | 1 | シジイタカバー | HOLDER PLATE COVER | |
| 4 | 062501016 | 2 | ナベコ5X10 | SCREW PAN M5X10 | |
| 5 | SA4404001 | 1 | プツシユレバー | PUSH LEVER | |
| 6 | SA4441001 | 2 | ダンネジM4 | SHOULDER SCREW, M4 | |
| 7 | SA4405001 | 1 | プツシユレバーイタ | PLATE, PUSH LEVER | |
| 8 | 062350516 | 2 | ナベコ35X5 | SCREW PAN M3.5X5 | |
| 9 | SA5333001 | 1 | プツシユレバーバネ | SPRING | |
| 10 | SA4406001 | 1 | ストップレバージククミ | STOP LEVER SHAFT ASSY | |
| 11 | 047301842 | 1 | スプリングピンAW3 | PIN SPRING ROLL AW3 | |
| 12 | SA4408001 | 1 | スタツドL | STUD, L | |
| 13 | SA4409001 | 1 | スタツドS | STUD, S | |
| 14 | SA4411101 | 1 | キリカエシジイタ | FLIP-UP HOLDER PLATE | |
| 15 | S18964001 | 1 | <日本向用> キリカエシジイタラベル.ワエイ | <For Japan only> LABEL | |
| 15 | SA4419001 | 1 | <日本向以外用> キリカエシジイタラベル.チュウエイ | <For Except Japan> LABEL | |
| 16 | 062500816 | 2 | ナベコ5X8 | SCREW PAN M5X8 | |
| 17 | SA4412001 | 1 | タマアンナイブツシユ | BALL GUIDE BUSH | |
| 18 | 150820001 | 1 | タマオシバネ | SPRING | |
| 19 | 071063550 | 1 | コウキユウ1/4 | BEARING BALL, 1/4 | |
| 20 | SA4413001 | 1 | レバージクウデ | ARM, LEVER SHAFT | |
| 21 | 062501416 | 1 | ナベコ5X14 | SCREW PAN M5X14 | |
| 22 | SA5588001 | 1 | ダンネジM4 | SHOULDER SCREW M4 | |
| 23 | SA4414001 | 2 | レバージクウデバネ | SPRING | |
| 24 | SA4415001 | 1 | スライドジクウケ | SLIDE SHAFT BRACKET | |
| 25 | 062500816 | 2 | ナベコ5X8 | SCREW PAN M5X8 | |
| 26 | S07588101 | 1 | スライドジク | SLIDE SHAFT | |
| 27 | SA4416001 | 1 | スライドジクウケイタ | SUPPORT PLATE, SLIDE SHAFT | |
| 28 | 149863001 | 2 | ジクウケイタバネ | SPRING, PLATE | |
| 29 | SA4417001 | 3 | セットカラー | SET SCREW COLLAR | |
| 30 | 014400432 | 5 | アナクボミ4X4 | SET SCREW SOCKET (CP) M4X4 | |
| 31 | SA4418001 | 1 | アンナイネジ | GUIDE SCREW | |

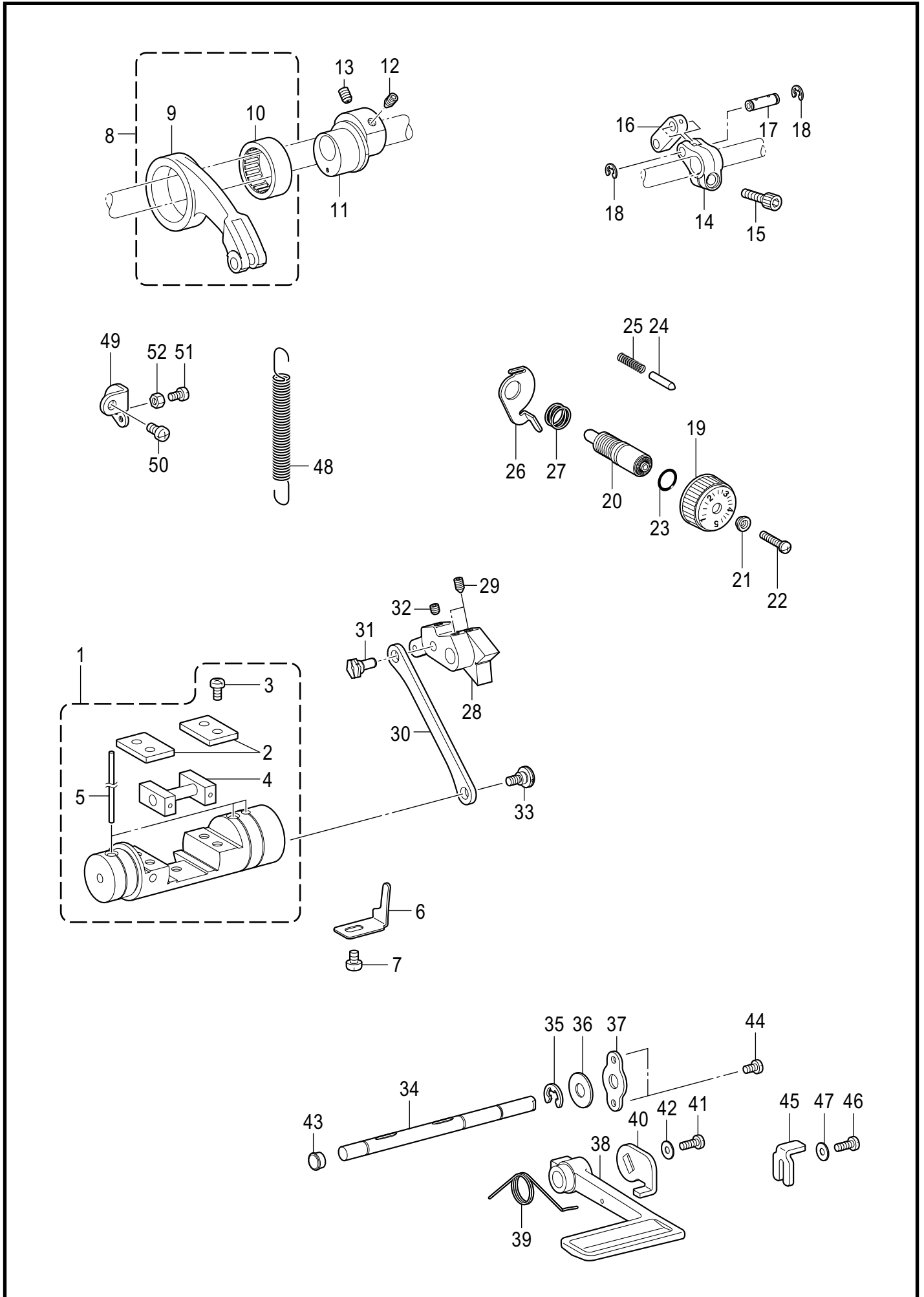
E . 押え関係 / Presser foot mechanism



E . 押え関係 / Presser foot mechanism

| REF.NO | CODE | Q'TY | 品名 | NAME OF PARTS | RM |
|--------|-----------|------|---------------------|-------------------------------|----|
| 1 | SA2495001 | 1 | オサエボウメタル | PRESSER BAR BUSH | |
| 2 | 062500816 | 1 | ナベコ5X8 | SCREW, PAN M5X8 | |
| 3 | SA1174001 | 1 | オサエチヨウセツネジM14 | PRESSER ADJUSTING SCREW, M14 | |
| 4 | SA1175001 | 1 | チヨウセツネジナツトM14 | ADJUST SCREW NUT | |
| 5 | 141208001 | 1 | オサエバネアンナイ | SPRING GUIDE | |
| 6 | S07346101 | 1 | オサエバネ | PRESSER BAR SPRING, -5 | |
| 7 | SA2496001 | 1 | オサエボウ | PRESSER BAR | |
| 8 | SA2498001 | 1 | オサエボウダキ | GUIDE BRACKET, P-BAR | |
| 9 | S25289001 | 1 | ボルト6 | BOLT, (CP) M6X10 | |
| 10 | SA2499001 | 1 | オサエアゲクランク | PRESSER BAR LIFTING CRANK | |
| 11 | S31006001 | 1 | オサエアゲテコ | LIFTING LEVER | |
| 12 | S39051001 | 1 | ナベザクミ35X12 | SCREW, PAN (S/P W) M3.5X12 | |
| 13 | S07351001 | 1 | イトユルメイタクミ | TENSION RELEASE PLATE ASSY | |
| 14 | S07529001 | 1 | イトユルメレンカクミ | T-RELEASE CONNECTING ROD ASSY | |
| 15 | 048030342 | 2 | トメワE3 | RETAINING RING, E3 | |
| 16 | SA2677001 | 1 | イトユルメワイヤー | TENSION RELEASE WIRE | |
| 17 | 012061832 | 1 | アナヒラ6X18 | SET SCREW, SOCKET (FT) M6X18 | |
| 18 | 021060306 | 1 | 3シュナツト6 | NUT, 3 M6 | |
| 19 | SA2500001 | 1 | ヒザアゲレンカクミ | KNEE LIFTER C-ROD ASSY | |
| 20 | SA2501001 | 1 | オサエアゲレバー | PRESSER BAR LIFTING LEVER | |
| 21 | SA2502001 | 1 | ヒザアゲレンカン | KNEE LIFTER CONNECTING ROD | |
| 22 | SA1179001 | 1 | ダンネジ5 | SHOULDER SCREW, M5 | |
| 23 | S07349001 | 1 | オサエアゲレバージク | P-BAR LIFTING LEVER SHAFT | |
| 24 | SA2504001 | 1 | セツトカラ | SET SCREW COLLAR | |
| 25 | 012500536 | 2 | アナヒラ5X5 | SET SCREW, SOCKET (FT) M5X5 | |
| 26 | S07355051 | 2 | オサエアゲレバーバネ | SPRING, EXTENSION | |
| 27 | 062501416 | 1 | ナベコ5X14 | SCREW, PAN M5X14 | |
| 28 | 021500106 | 1 | 1シュナツト5 | NUT, 1 M5 | |
| 29 | SA2506001 | 1 | ヒザアゲレバー | KNEE LIFTER LEVER | |
| 30 | SA2507001 | 1 | ヒザアゲボウ | KNEE LIFTER BAR | |
| 31 | SA1179001 | 1 | ダンネジ5 | SHOULDER SCREW, M5 | |
| 32 | SA2165001 | 1 | ダンネジ6 | SHOULDER SCREW, M6 | |
| 33 | SA1179001 | 1 | ダンネジ5 | SHOULDER SCREW, M5 | |
| 34 | SA4149101 | 1 | チヨウセツネジ6 | ADJUSTING SCREW 6 | |
| 35 | 021060306 | 1 | 3シュナツト6 | NUT, 3 M6 | |
| 36 | S07350001 | 1 | ザガネ | WASHER, PLAIN | |
| | | | < T-8452A オプション部品 > | < T-8452A OPTION PARTS > | |
| 37 | S10780001 | 1 | イトユルメイタクミ | TENSION RELEASE PLATE ASSY | |
| 38 | S07529001 | 1 | イトユルメレンカクミ | T-RELEASE CONNECTING ROD ASSY | |
| 39 | 048030342 | 2 | トメワE3 | RETAINING RING, E3 | |
| 40 | SA2677001 | 1 | イトユルメワイヤー | TENSION RELEASE WIRE | |
| 41 | SA2578001 | 1 | オサエアゲレバー | PRESSER BAR LIFTING LEVER | |

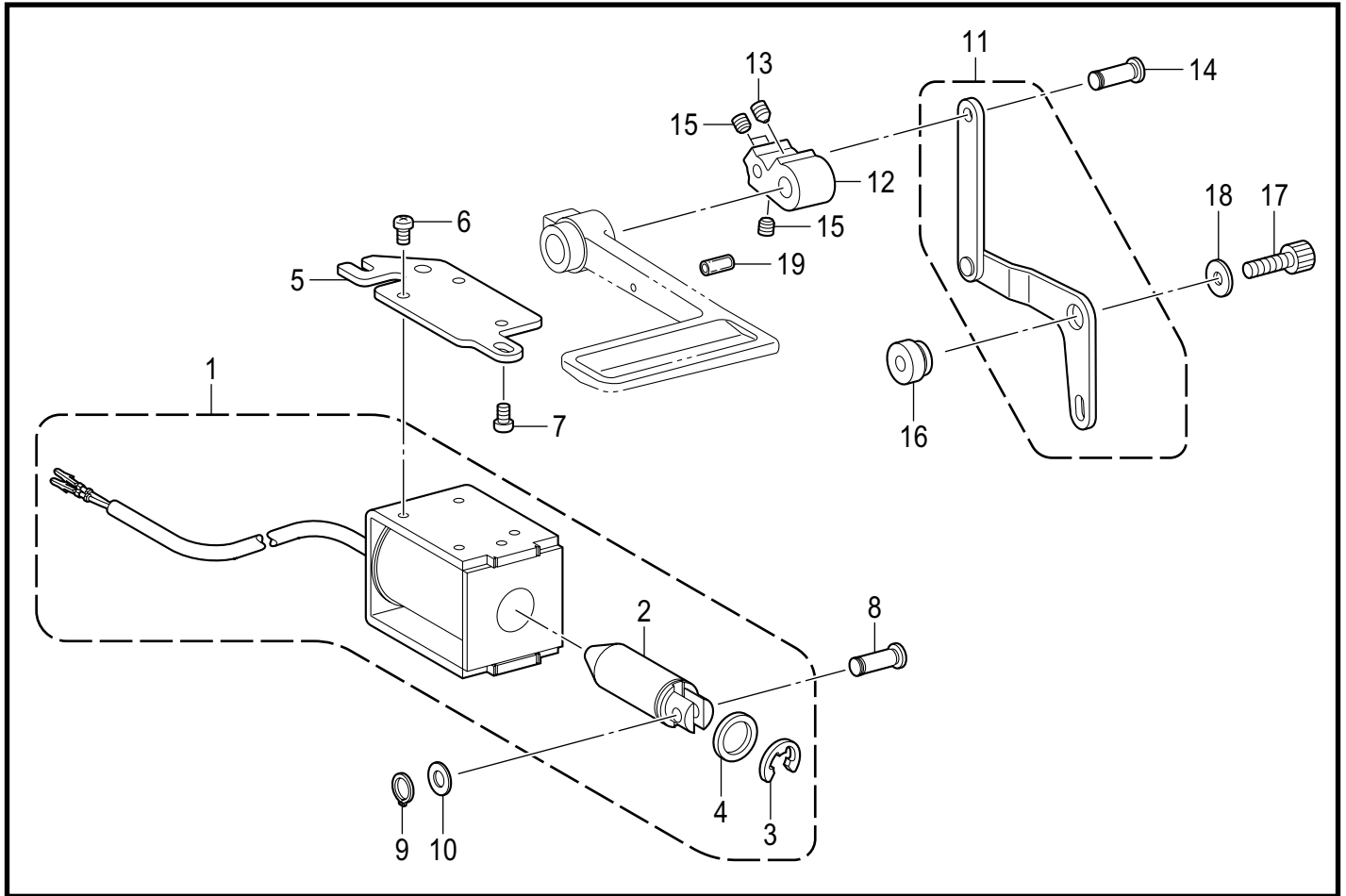
F. 送り関係 / Feed mechanism



F . 送り関係 / Feed mechanism

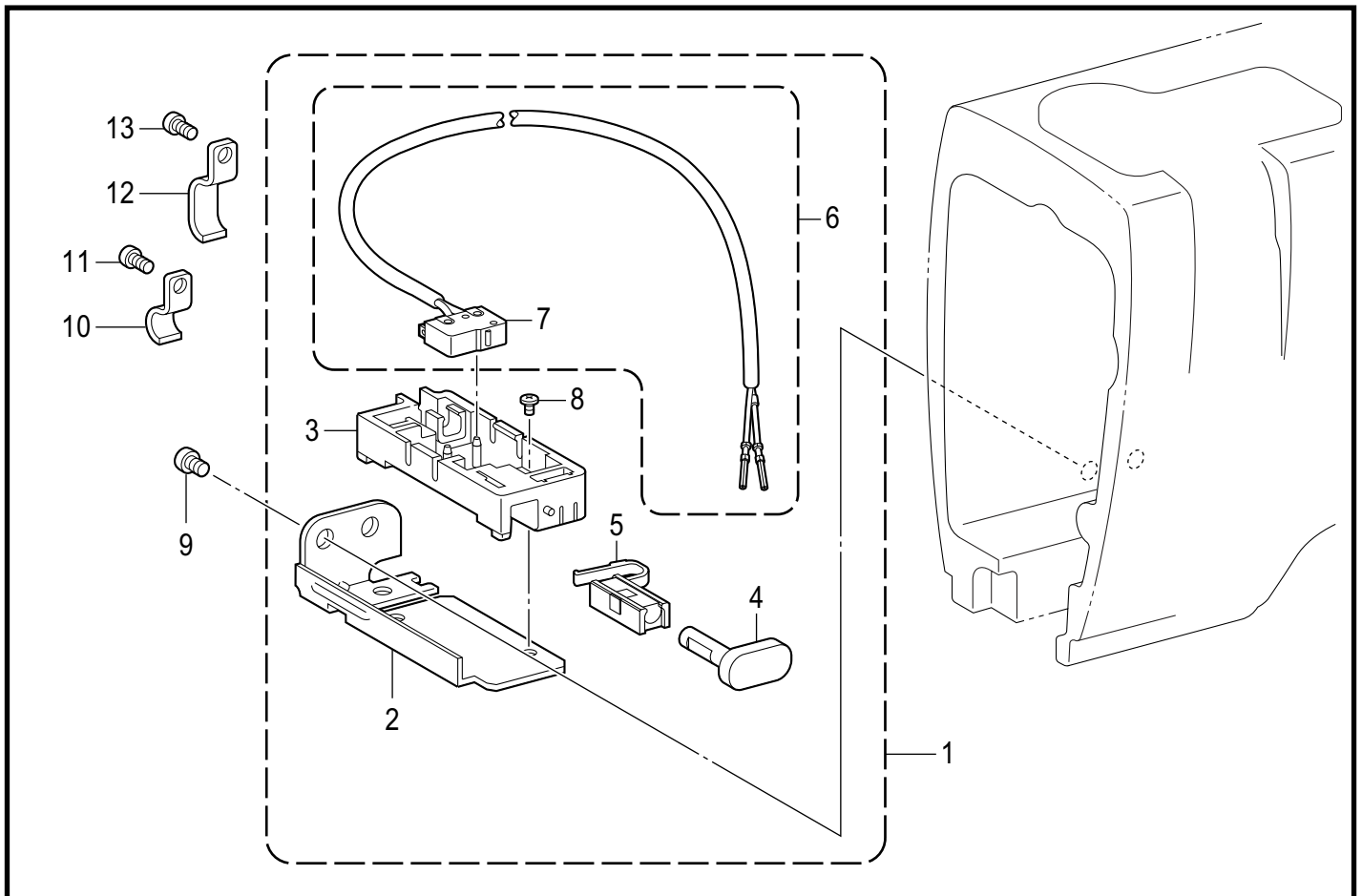
| REF.NO | CODE | Q'TY | 品名 | NAME OF PARTS | RM |
|--------|-----------|------|----------------|-------------------------------|----|
| 1 | SA2509001 | 1 | キリカエキクミ | FEED REGULATOR ASSY | |
| 2 | SA2511001 | 2 | カクコマアンナイタ | GUIDE PLATE | |
| 3 | 062501016 | 4 | ナベコ5X10 | SCREW, PAN M5X10 | |
| 4 | SA2512001 | 1 | キリカエキカクコマクミ | SLIDE BLOCK ASSY | |
| 5 | SA2515001 | 3 | フェルト | FELT | |
| 6 | SA2516001 | 1 | キリカエキトメ | STOPEER | |
| 7 | 062060816 | 1 | ナベコ6X8 | SCREW, PAN M6X8 | |
| 8 | 143611201 | 1 | スイヘイオクリレンカンクミ | F-ROCKER CONNECTING ROD ASSY | |
| 9 | 143612100 | 1 | スイヘイオクリレンカン | FEED ROCKER CONNECTING ROD | |
| 10 | 118954000 | 1 | ニードルベアリング | NEEDLE BEARING | |
| 11 | SA2518001 | 1 | スイヘイヘンシンリン5 | LEVEL FEED ECCENTRIC WHEEL 5 | |
| 12 | SA2585001 | 1 | アナトガリ6X10ホソメ | SET SCREW, SOCKET (FT) M6 | |
| 13 | S25236001 | 1 | アナヒラ6X10ホソメ | SET SCREW, SOCKET (FT) M6X10 | |
| 14 | SA2521001 | 1 | スイヘイオクリウデ5 | FEED ROCKER ARM 5 | |
| 15 | 018062032 | 1 | アナボルト6X20 | BOLT, SOCKET M6X20 | |
| 16 | 143613051 | 1 | スイヘイオクリウデリンク | LINK | |
| 17 | 143616001 | 1 | スイヘイオクリウデジク | SHAFT | |
| 18 | 048060342 | 2 | トメフE6 | RETAINING RING, E6 | |
| 19 | S38427001 | 1 | オクリメモリダイヤル | STITCH LENGTH DIAL, 5 | |
| 20 | SA3056001 | 1 | オクリチヨウセツネジ | FEED REGULATING STUD | |
| 21 | 142746002 | 1 | メモリイタオサエ | FEED REGULATING SUPPORTER | |
| 22 | 129458102 | 1 | シメネジ4.76 | SCREW, SM4.76 | |
| 23 | 108549001 | 1 | Oリング | O RING | |
| 24 | S50098101 | 1 | メモリイチギメピン | POSITIONING PIN | |
| 25 | 100328001 | 1 | メモリイチキメピンバネ | NOTCH SPRING | |
| 26 | SA2523001 | 1 | ダイヤルロックレバー | DIAL LOCK LEVER | |
| 27 | S39830101 | 1 | ダイヤルロックレバーバネ | SPRING | |
| 28 | SA2525001 | 1 | オクリチヨウセツキ5 | FEED REGULATOR 5 | |
| 29 | 016061031 | 2 | アナトガリ6X10 | SET SCREW, SOCKET (CN) M6X10 | |
| 30 | SA2526001 | 1 | キリカエキレンカン | CONNECTING ROD | |
| 31 | SA2527001 | 1 | ヘンシンジク | ECCENTRIC SHAFT | |
| 32 | 012060636 | 1 | アナヒラ6X6 | SET SCREW, SOCKET (FT) M6X6 | |
| 33 | SA2528101 | 1 | ダンネジ6 | SHOULDER SCREW, M6 | |
| 34 | SA2529101 | 1 | カエシヌイレバー-ジクTR | SHAFT, R-LEVER TR | |
| 35 | 048080342 | 1 | トメフE8 | RETAINING RING, E8 | |
| 36 | 025100132 | 1 | ヒラザガネシヨウ10 | WASHER, PLAIN S 10 | |
| 37 | SA2530001 | 1 | カンザ | SPACER | |
| 38 | S07374109 | 1 | カエシヌイレバー | REVERSE STITCHING LEVER | |
| 39 | SA2531001 | 1 | カエシヌイレバー-オサエバネ | SPRING | |
| 40 | SA2541001 | 1 | カエシヌイレバー-イタ | REVERSE STITCHING LEVER PLATE | |
| 41 | 062501216 | 1 | ナベコ5X12 | SCREW, PAN M5X12 | |
| 42 | 025050336 | 1 | ヒラザガネダイ5 | WASHER, PLAIN L 5 | |
| 43 | 104821001 | 1 | ゴムセン10.5 | RUBBER CAP, 10.5 | |
| 44 | 062500816 | 2 | ナベコ5X8 | SCREW, PAN M5X8 | |
| 45 | SA2532001 | 1 | ハンドルストツパ | STOPPER | |
| 46 | 062501216 | 1 | ナベコ5X12 | SCREW, PAN M5X12 | |
| 47 | 025050236 | 1 | ヒラザガネチユウ5 | WASHER, PLAIN M 5 | |
| 48 | S07376001 | 1 | キリカエキバネ | FEED REGULATOR SPRING | |
| 49 | SA2533001 | 1 | バネカケ | SPRING HOOK | |
| 50 | 062060816 | 1 | ナベコ6X8 | SCREW, PAN M6X8 | |
| 51 | 062501216 | 1 | ナベコ5X12 | SCREW, PAN M5X12 | |
| 52 | 021500106 | 1 | 1シユナツト5 | NUT, 1 M5 | |

G . 逆転関係 / Quick reverse mechanism



T-8452A-205

H . 逆転スイッチ関係 / Quick reverse switch mechanism



T-8452A-508

G . 逆転関係 / Quick reverse mechanism

| REF.NO | CODE | Q'TY | 品名 | NAME OF PARTS | RM |
|--------|-----------|------|--------------|------------------------------|----|
| 1 | SA3072001 | 1 | ギヤクテンソレノイドクミ | QUICK REVERSE SOLENOID ASSY | |
| 2 | 154729001 | 1 | プランジャ | PLUNGER | |
| 3 | 154730001 | 1 | トメワE15 | RETAINING RING, E15 | |
| 4 | 154731000 | 1 | ゴムストツパー | RUBBER STOPPER | |
| 5 | SA2535101 | 1 | ソレノイドドダイ | SOLENOID BRACKET | |
| 6 | 062500812 | 3 | ナベコ5X8 | SCREW, PAN M5X8 | |
| 7 | 062061016 | 2 | ナベコ6X10 | SCREW, PAN M6X10 | |
| 8 | SA2992001 | 1 | レンケツピン | PIN | |
| 9 | 048060142 | 1 | トメワジクヨウC6 | RETAINING RING, EXTERNAL C6 | |
| 10 | 153138001 | 1 | ザガネ | WASHER, PLAIN 6.5 | |
| 11 | SA2536001 | 1 | ソレノイドレバークミ | SOLENOID LEVER ASSY | |
| 12 | SA2540001 | 1 | ギヤクテンレバー | QUICK REVERSE LEVER | |
| 13 | 016061031 | 2 | アナトガリ6X10 | SET SCREW, SOCKET (CN) M6X10 | |
| 14 | SA2992001 | 1 | レンケツピン | PIN | |
| 15 | 012060636 | 2 | アナヒラ6X6 | SET SCREW, SOCKET (FT) M6X6 | |
| 16 | SA2539001 | 1 | ソレノイドレバークミ | SOLENOID LEVER SHAFT | |
| 17 | 018062032 | 1 | アナボルト6X20 | BOLT, SOCKET M6X20 | |
| 18 | 149095001 | 1 | ザガネ | WASHER, PLAIN 6 | |
| 19 | 153132000 | 1 | ナイロンチューブ | NYLON TUBE, L=13.5 | |

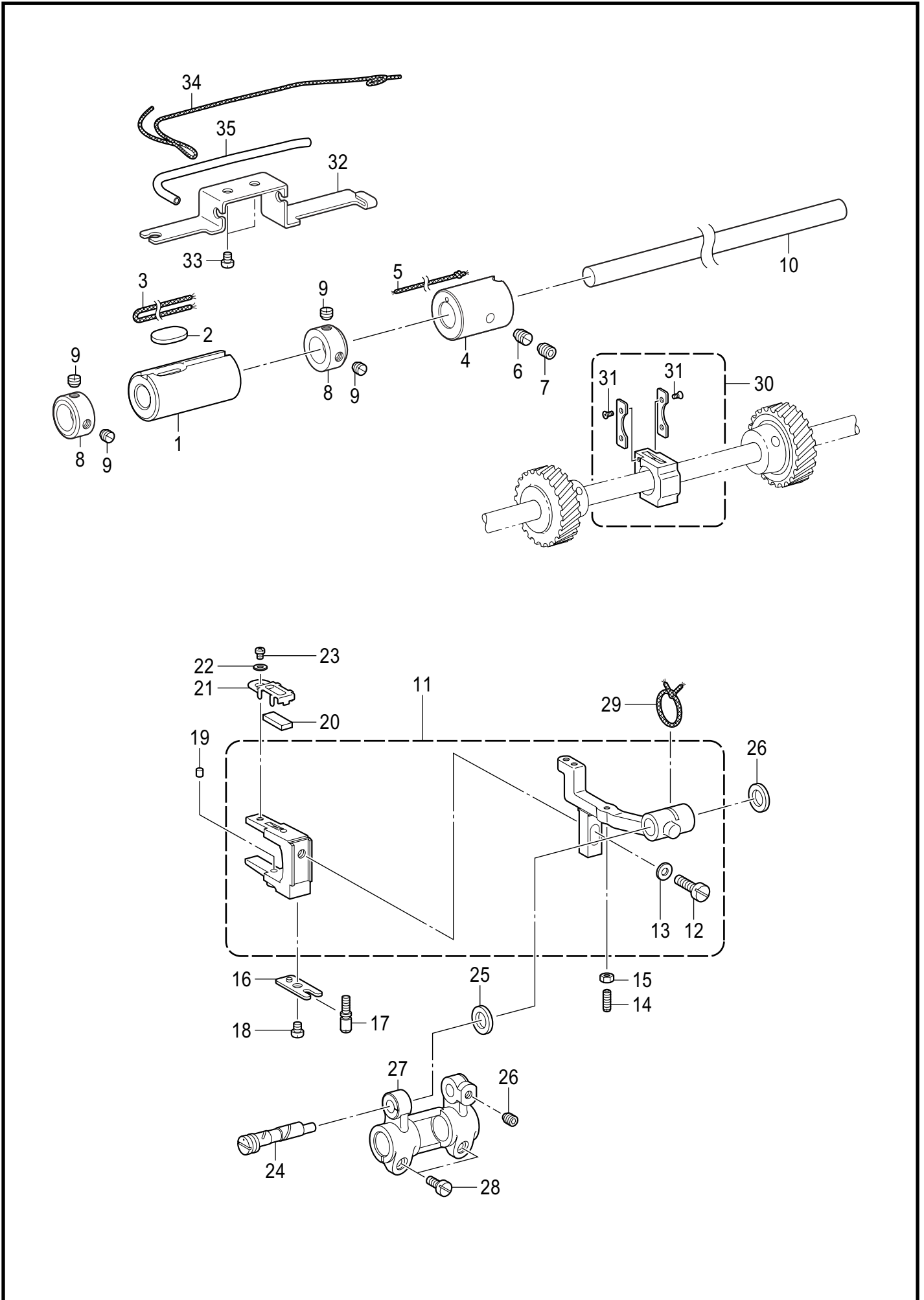
T-8452A-205

H . 逆転スイッチ関係 / Quick reverse switch mechanism

| REF.NO | CODE | Q'TY | 品名 | NAME OF PARTS | RM |
|--------|-----------|------|-------------|------------------------|----|
| 1 | SA2688001 | 1 | Rアクチュエータークミ | REVERSE ACTUATOR ASSY | |
| 2 | SA2270001 | 1 | Rスイッチササエ | REVERSE SWITCH BRACKET | |
| 3 | S34281000 | 1 | Rスイッチダイ | REVERSE SWITCH BRACKET | |
| 4 | S32904000 | 1 | アクチュエーター | ACTUATOR | |
| 5 | S32905000 | 1 | Rスイッチバネ | REVERSE SWITCH SPRING | |
| 6 | SA1390001 | 1 | Rスイッチクミ | R-SWITCH ASSY | |
| 7 | S32907000 | 1 | マイクロスイッチ | MICRO SWITCH | |
| 8 | 060300606 | 1 | バインド3X6 | SCREW, BIND M3X6 | |
| 9 | 062500616 | 2 | ナベコ5X6 | SCREW, PAN M5X6 | |
| 10 | SA2689001 | 1 | コードオサエ | CORD HOLDER | |
| 11 | 062500616 | 1 | ナベコ5X6 | SCREW, PAN M5X6 | |
| 12 | SA1388001 | 3 | コードオサエ | CORD HOLDER | |
| 13 | 062500616 | 1 | ナベコ5X6 | SCREW, PAN M5X6 | |

T-8452A-508

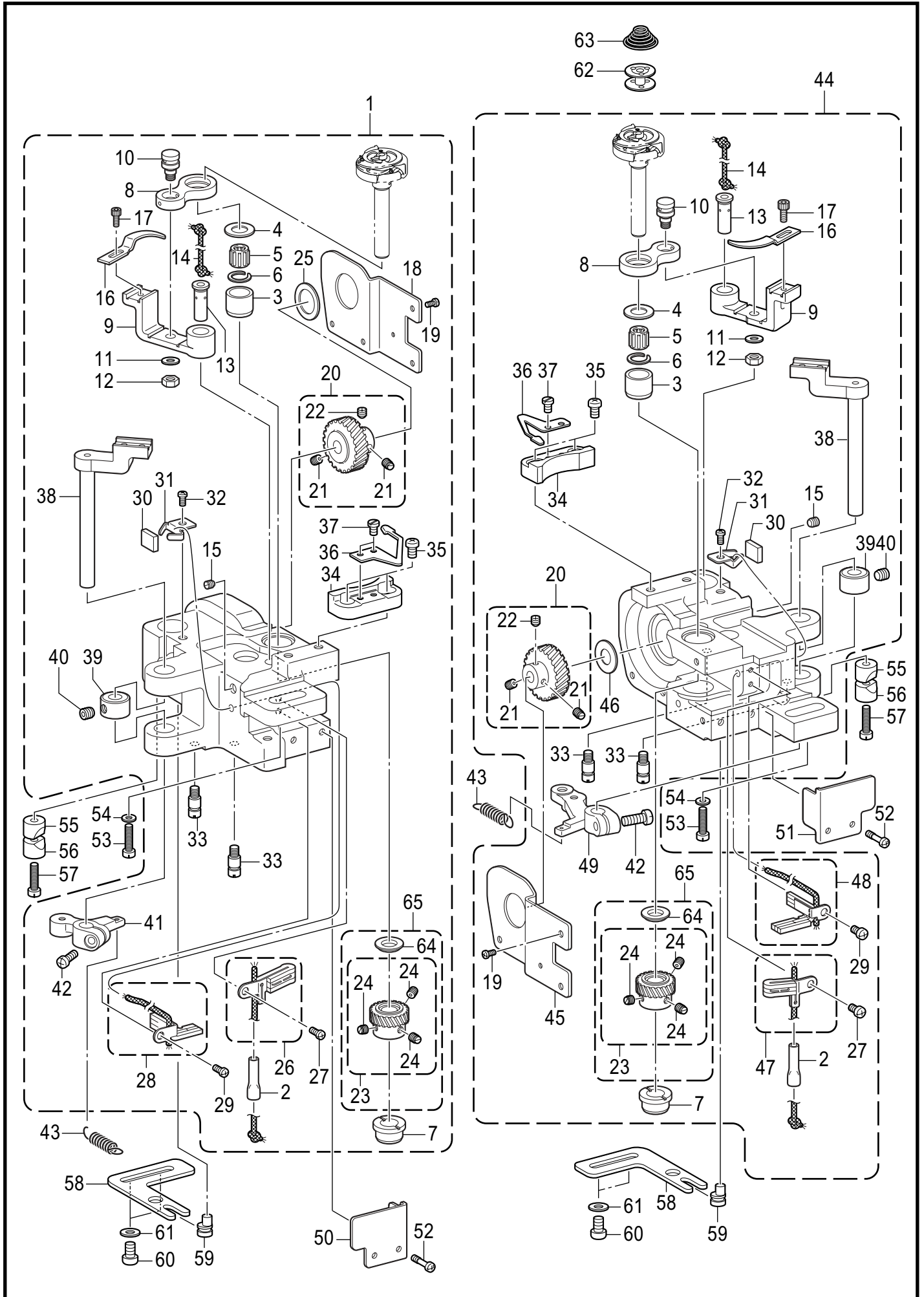
J. 送り軸関係 / Feed shaft mechanism



J . 送り軸関係 / Feed shaft mechanism

| REF.NO | CODE | Q'TY | 品名 | NAME OF PARTS | RM |
|--------|-----------|------|---------------|-----------------------------|----|
| 1 | SA3855001 | 1 | オクリジクメタルL | BUSH,L:F-ROCKER SHAFT | |
| 2 | SA3965001 | 1 | フェルト | FELT | |
| 3 | SA4028001 | 1 | クミヒモ4X4 L=220 | WICK, 4X4 L=220 | |
| 4 | SA2543001 | 1 | オクリジクメタルR | FEED ROCKER SHAFT BUSH, R | |
| 5 | 108802001 | 1 | クミヒモ4X4 | WICK, 4X4 L=250 | |
| 6 | SA2544001 | 1 | トメネジM6 | SET SCREW M6 | |
| 7 | 012060636 | 1 | アナヒラ6X6 | SET SCREW, SOCKET (FT) M6X6 | |
| 8 | SA2546001 | 2 | セツトカラ- | SET SCREW COLLAR | |
| 9 | S23651001 | 4 | アナヒラ6X6ホソメ | SET SCREW, SOCKET (FT) M6X6 | |
| 10 | SA3840001 | 1 | スイヘイオクリジク | FEED ROCKER SHAFT | |
| 11 | SA6150001 | 1 | オクリダイTRフタマタクミ | FEED BAR TR FORK ASSY | |
| 12 | SA2927001 | 1 | シメネジM6X14 | SCREW, M6X14 | |
| 13 | 025060132 | 1 | ヒラザガネシヨウ6 | WASHER, PLAIN S 6 | |
| 14 | SA2566001 | 1 | トメネジ3.5 | SET SCREW, M3.5 | |
| 15 | 021350106 | 1 | 1シュナツト35 | NUT, 1 M3.5 | |
| 16 | SA2553001 | 1 | フタマタプレート | FORKED PLATE | |
| 17 | SA2554001 | 1 | タカサチヨウセツネジ | ADJUSTING SCREW ,HIGHT | |
| 18 | 062400616 | 1 | ナベコ4X6 | SCREW, PAN M4X6 | |
| 19 | SA3990001 | 1 | フェルト | FELT | |
| 20 | SA3887001 | 1 | フェルト | FELT | |
| 21 | SA3888001 | 1 | フェルトオサエ | FELT HOLDER | |
| 22 | 025030132 | 1 | ヒラザガネシヨウ3 | WASHER, PLAIN S 3 | |
| 23 | 062300416 | 1 | ナベコ3X4 | SCREW, PAN M3X4 | |
| 24 | SA2550001 | 1 | オクリダイトリツケジク | FEED BAR SHAFT | |
| 25 | SA2551001 | 2 | スラストリング | THRUST RING | |
| 26 | 012060636 | 1 | アナヒラ6X6 | SET SCREW, SOCKET (FT) M6X6 | |
| 27 | SA2555001 | 1 | スイヘイオクリダイウデ | FEED ROCKER BASE ARM | |
| 28 | SA2928001 | 2 | シメネジM5X12 | SCREW, M5X12 | |
| 29 | SA4538001 | 1 | クミヒモ3X3 L=200 | WICK, 3X3 L=200 | |
| 30 | SA2806001 | 1 | オクリダイカクコマクミ | FEED BAR SLIDE BLOCK ASSY | |
| 31 | W01519001 | 4 | 0サラコ3シュ2X4 | SCREW, FLAT #0 M2X4 | |
| 32 | SA4009001 | 1 | クミヒモササエ | WICK SUPPORT | |
| 33 | 062400616 | 2 | ナベコ4X6 | SCREW, PAN M4X6 | |
| 34 | SA2724001 | 1 | クミヒモ | WICK, L=400 | |
| 35 | SA4011001 | 1 | ビニルチューブ L=100 | OIL TUBE, L=100 | |

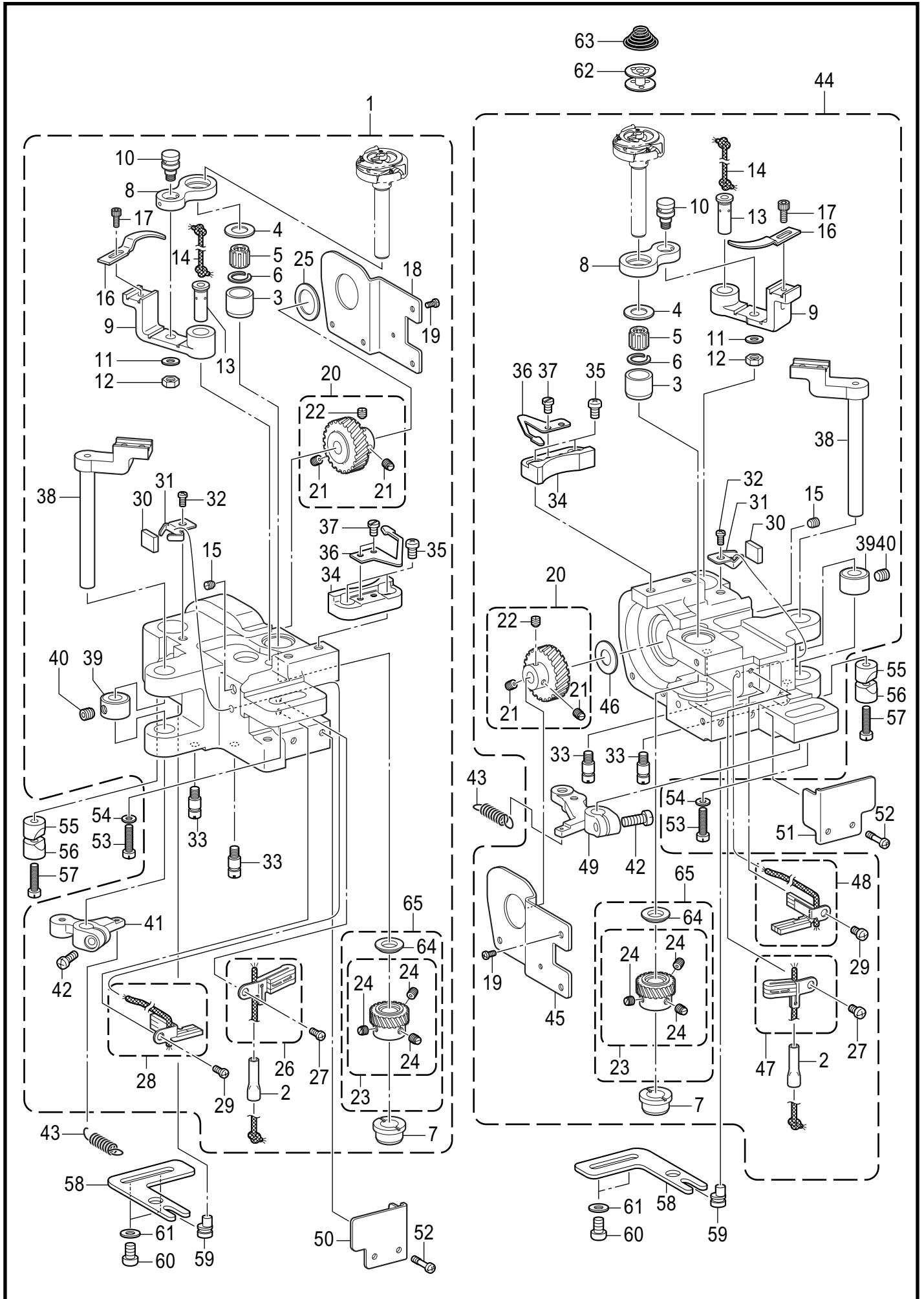
K1 . かま関係 / Rotary hook mechanism



K1 . かま関係 / Rotary hook mechanism

| REF.NO | CODE | Q'TY | 品名 | NAME OF PARTS | RM |
|--------|-----------|------|---------------------|--------------------------------|----|
| 1 | SA4435101 | 1 | カマドダイ845イトキリクミ | ROTARY HOOK BASE,845TR(L) | |
| 2 | SA3961001 | 1 | パイプ | PIPE | |
| 3 | SA4029001 | 1 | カマジクメタルU | ROTARY HOOK SHAFT BUSH | |
| 4 | S09260001 | 1 | スラストリングA< t=1.2 > | THRUST RING, A :1.2MM< t=1.2 > | |
| 4 | SA4038001 | 1 | スラストリング< t=1.0 > | THRUST RING< t=1.0 > | |
| 4 | S09261001 | 1 | スラストリングB< t=1.4 > | THRUST RING, B :1.4MM< t=1.4 > | |
| 4 | SA4444001 | 1 | スラストリング0.8< t=0.8 > | THRUST RING, 0.8MM< t=0.8 > | |
| 5 | S07420000 | 1 | ニードルベアリング | NEEDLE BEARING | |
| 6 | S07419001 | 1 | ストツプリング | RETAINING RING | |
| 7 | SA2557001 | 1 | カマジクメタルD | ROTARY HOOK SHAFT BUSH | |
| 8 | SA3856001 | 1 | オープナーリンク | OPENER LINK | |
| 9 | SA3859001 | 1 | オープナーレバー | OPENER LEVER | |
| 10 | SA2560001 | 1 | オープナーリンクジク | SHAFT, O-LINK | |
| 11 | 025710132 | 1 | ヒラザガネシヨウ4.76 | WASHER PLAIN S SM4.76 | |
| 12 | 021500316 | 1 | 3シュナツト5 | NUT, 3 M5 | |
| 13 | SA3889101 | 1 | オープナーレバージク | O-LEVER SHAFT | |
| 14 | SA4026001 | 1 | クミヒモ4X4 L=100 | WICK, 4X4 L=100 | |
| 15 | 012500536 | 1 | アナヒラ5X5 | SET SCREW, SOCKET (FT) M5X5 | |
| 16 | S38212001 | 1 | オープナー | OPENER | |
| 17 | 154965001 | 1 | アナボルト3.57X8 | BOLT, SOCKET SM3.57X8 | |
| 18 | SA2562101 | 1 | カマドダイカバーL | ROTARY HOOK BASE COVER, L | |
| 19 | 062300612 | 4 | ナベコ3X6 | SCREW, PAN M3X6 | |
| 20 | SA2572001 | 1 | スパイラルギヤ ネジツキ | SPIRAL GEAR SCREW ASSY | |
| 21 | SA2574001 | 2 | トメネジM6ホソメ | SET SCREW, (FT) M6 | |
| 22 | SA2575001 | 1 | トメネジM6ホソメ | SET SCREW, (FT) M6 | |
| 23 | SA6301001 | 1 | ピニオン ネジツキ | PINION GEAR SCREW ASSY | |
| 24 | SA2574001 | 3 | トメネジM6ホソメ | SET SCREW, (FT) M6 | |
| 25 | SA3054001 | 1 | スラストザガネL | THRUST WASHER, L | |
| 26 | SA4042001 | 1 | フェルトULクミ | FELT UL ASSY | |
| 27 | 062400616 | 1 | ナベコ4X6 | SCREW, PAN M4X6 | |
| 28 | SA4044001 | 1 | フェルトDLクミ | FELT DL ASSY | |
| 29 | 062400616 | 1 | ナベコ4X6 | SCREW, PAN M4X6 | |
| 30 | SA4012001 | 1 | フェルト | FELT | |
| 31 | SA3894001 | 1 | フェルトオサエ | FELT SUPPORT | |
| 32 | 062400616 | 1 | ナベコ4X6 | SCREW, PAN M4X6 | |
| 33 | SA2717001 | 2 | ストツパネジ | STOPPER SCREW | |
| 34 | SA2676001 | 1 | イドウハウケ | MOVABLE KNIFE BRACKET | |
| 35 | 062400812 | 2 | ナベコ4X8 | SCREW PAN M4X8 | |
| 36 | S07525000 | 1 | シタイトホジバネ | SPRING, PLATE | |
| 37 | 141544001 | 2 | シメネジ3.18 | SCREW, SM3.18-40X3 | |
| 38 | SA3912001 | 1 | イドウハレバー | MOVABLE KNIFE LEVER | |
| 39 | SA2675001 | 1 | セツトカラー | SET SCREW COLLAR | |
| 40 | S23651001 | 1 | アナヒラ6X6ホソメ | SET SCREW, SOCKET (FT) M6X6 | |
| 41 | SA2671001 | 1 | イトキリレバーL | THREAD TRIMMER LEVER, L | |
| 42 | 062501212 | 1 | ナベコ5X12 | SCREW, PAN M5X12 | |
| 64 | SA6294001 | 1 | スラストリング | THRUST RING | |
| 65 | SA6307001 | 1 | ピニオンセット | PINION GEAR SET | |
| 44 | SA4436101 | 1 | カマドダイ845イトキリクミ | ROTARY HOOK BASE,845TR(R) | |
| 2 | SA3961001 | 1 | パイプ | PIPE | |
| 3 | SA4029001 | 1 | カマジクメタルU | ROTARY HOOK SHAFT BUSH | |
| 4 | S09260001 | 1 | スラストリングA< t=1.2 > | THRUST RING, A :1.2MM< t=1.2 > | |
| 4 | SA4038001 | 1 | スラストリング< t=1.0 > | THRUST RING< t=1.0 > | |
| 4 | S09261001 | 1 | スラストリングB< t=1.4 > | THRUST RING, B :1.4MM< t=1.4 > | |
| 4 | SA4444001 | 1 | スラストリング0.8< t=0.8 > | THRUST RING, 0.8MM< t=0.8 > | |
| 5 | S07420000 | 1 | ニードルベアリング | NEEDLE BEARING | |
| 6 | S07419001 | 1 | ストツプリング | RETAINING RING | |
| 7 | SA2557001 | 1 | カマジクメタルD | ROTARY HOOK SHAFT BUSH | |
| 8 | SA3856001 | 1 | オープナーリンク | OPENER LINK | |
| 9 | SA3859001 | 1 | オープナーレバー | OPENER LEVER | |
| 10 | SA2560001 | 1 | オープナーリンクジク | SHAFT, O-LINK | |
| 11 | 025710132 | 1 | ヒラザガネシヨウ4.76 | WASHER PLAIN S SM4.76 | |
| 12 | 021500316 | 1 | 3シュナツト5 | NUT, 3 M5 | |

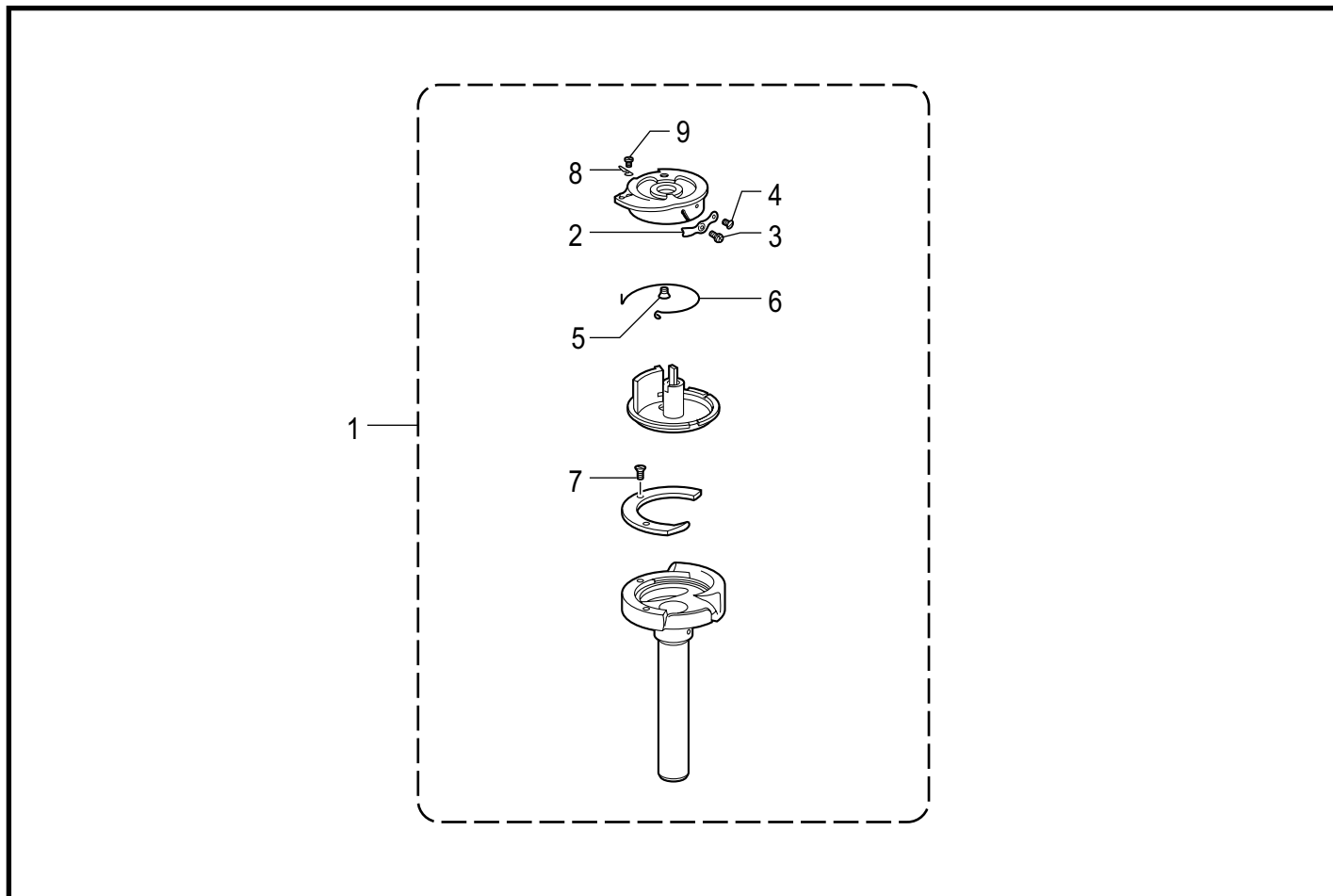
K1 . かま関係 / Rotary hook mechanism



K1 . かま関係 / Rotary hook mechanism

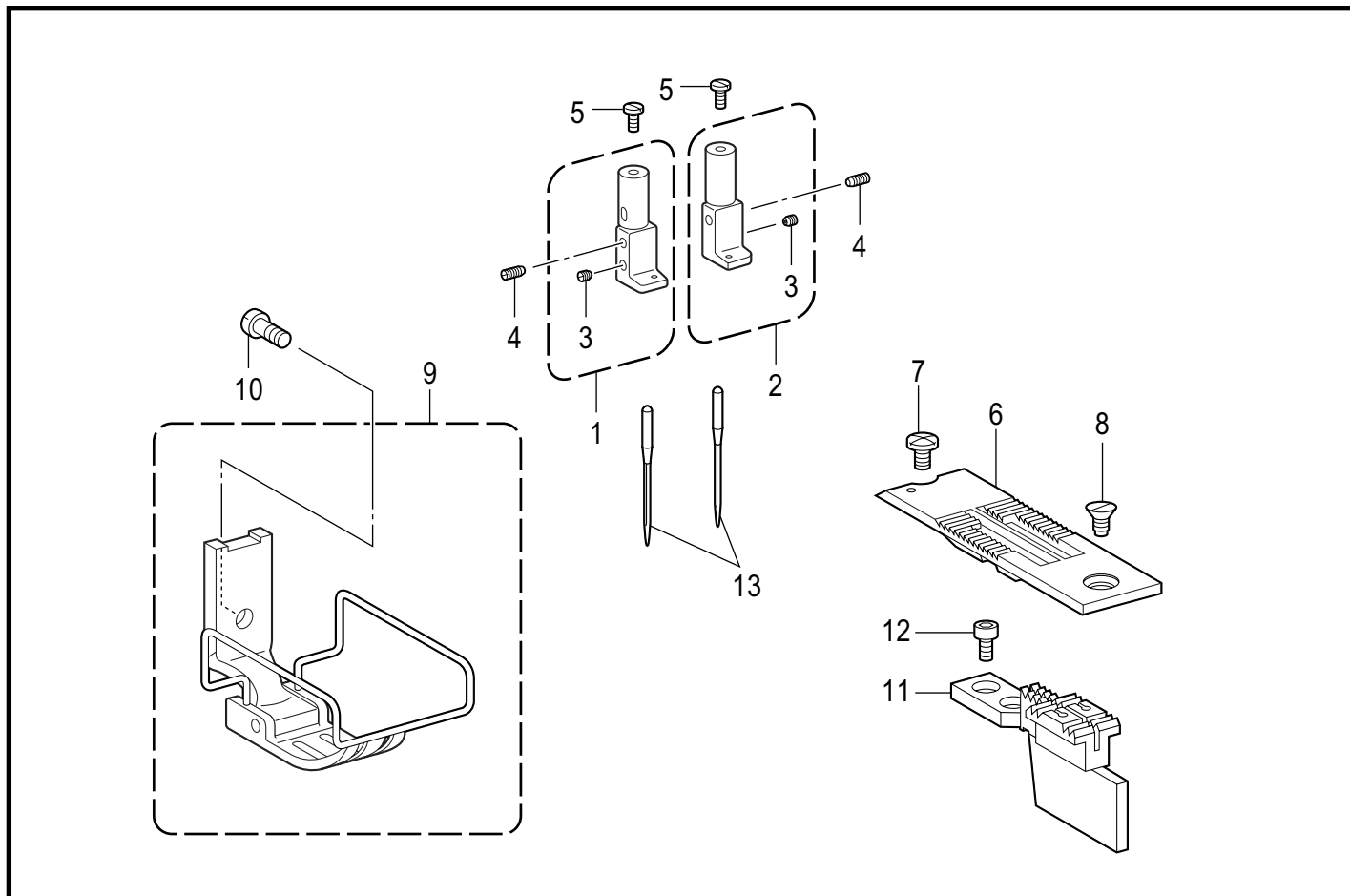
| REF.NO | CODE | Q'TY | 品名 | NAME OF PARTS | RM |
|--------|-----------|------|---------------|--------------------------------|----|
| 13 | SA3889101 | 1 | オープナーレバージク | O-LEVER SHAFT | |
| 14 | SA4026001 | 1 | クミヒモ4X4 L=100 | WICK, 4X4 L=100 | |
| 15 | 012500536 | 1 | アナヒラ5X5 | SET SCREW, SOCKET (FT) M5X5 | |
| 16 | S38212001 | 1 | オープナー | OPENER | |
| 17 | 154965001 | 1 | アナボルト3.57X8 | BOLT, SOCKET SM3.57X8 | |
| 45 | SA2563101 | 1 | カマドダイカバー-R | ROTARY HOOK BASE COVER, R | |
| 19 | 062300612 | 4 | ナベコ3X6 | SCREW, PAN M3X6 | |
| 20 | SA4549001 | 1 | スパイラルギヤ ネジツキ | SPIRAL GEAR SCREW ASSY | |
| 21 | SA2574001 | 2 | トメネジM6ホソメ | SET SCREW, (FT) M6 | |
| 22 | SA2575001 | 1 | トメネジM6ホソメ | SET SCREW, (FT) M6 | |
| 23 | SA6301001 | 1 | ピニオン ネジツキ | PINION GEAR SCREW ASSY | |
| 24 | SA2574001 | 3 | トメネジM6ホソメ | SET SCREW, (FT) M6 | |
| 46 | SA2579001 | 1 | スラストザガネ | SPECER | |
| 47 | SA4043001 | 1 | フェルトURクミ | FELT UR ASSY | |
| 27 | 062400616 | 1 | ナベコ4X6 | SCREW, PAN M4X6 | |
| 48 | SA4045001 | 1 | フェルトDRクミ | FELT DR ASSY | |
| 29 | 062400616 | 1 | ナベコ4X6 | SCREW, PAN M4X6 | |
| 30 | SA4012001 | 1 | フェルト | FELT | |
| 31 | SA3894001 | 1 | フェルトオサエ | FELT SUPPORT | |
| 32 | 062400616 | 1 | ナベコ4X6 | SCREW, PAN M4X6 | |
| 33 | SA2717001 | 2 | ストツパネジ | STOPPER SCREW | |
| 34 | SA2676001 | 1 | イドウハウケ | MOVABLE KNIFE BRACKET | |
| 35 | 062400812 | 2 | ナベコ4X8 | SCREW PAN M4X8 | |
| 36 | S07525000 | 1 | シタイトホジバネ | SPRING, PLATE | |
| 37 | 141544001 | 2 | シメネジ3.18 | SCREW, SM3.18-40X3 | |
| 38 | SA3912001 | 1 | イドウハレバー | MOVABLE KNIFE LEVER | |
| 39 | SA2675001 | 1 | セットカラー | SET SCREW COLLAR | |
| 40 | S23651001 | 1 | アナヒラ6X6ホソメ | SET SCREW, SOCKET (FT) M6X6 | |
| 49 | SA2670001 | 1 | イトキリレバー-R | THREAD TRIMMER LEVER, R | |
| 42 | 062501212 | 1 | ナベコ5X12 | SCREW, PAN M5X12 | |
| 64 | SA6294001 | 1 | スラストリング | THRUST RING | |
| 65 | SA6307001 | 1 | ピニオンセット | PINION GEAR SET | |
| | | | <-□□5用> | <For"-□□5"> | |
| 43 | SA2826001 | 2 | イトキリレバーバネ | SPRING, EXTENSION | |
| | | | <-□□3用> | <For"-□□3"> | |
| 43 | SA4458001 | 2 | イトキリレバーバネB | SPRING, EXTENSION, B | |
| 50 | SA3988001 | 1 | カマドダイカバー-FL | ROTARY HOOK BASE COVER, FL | |
| 51 | SA3916001 | 1 | カマドダイカバー-FR | ROTARY HOOK BASE COVER, FR | |
| 52 | SA2825001 | 4 | シメネジM3X12 | SCREW, M3X12 | |
| 53 | SA2556001 | 2 | シメネジM6X25 | SCREW, M6X25 | |
| 54 | 115947001 | 2 | ザガネ | WASHER, PLAIN 6.35 | |
| 55 | SA2722001 | 2 | ピンチスリーブA | PINCH SLEEVE A | |
| 56 | SA2565001 | 2 | ピンチスリーブB | PINCH SLEEVE B | |
| 57 | SA2556001 | 2 | シメネジM6X25 | SCREW, M6X25 | |
| 58 | SA2567001 | 2 | ハリスキチヨウセツイタ | NEEDLE UPPER POSITIONING PLATE | |
| 59 | SA2568001 | 2 | ハリスキチヨウセツジク | NEEDLE UPPER POSITIONING SHAFT | |
| 60 | 062061016 | 4 | ナベコ6X10 | SCREW, PAN M6X10 | |
| 61 | 025060136 | 4 | ヒラザガネシヨウ6 | WASHER, PLAIN S 6 | |
| 62 | S01928151 | 2 | ボビン | BOBBIN | |
| 63 | 148602001 | 2 | クウテンボウシバネ | ANTI-SPIN SPRING | |

K2 . かま関係 / Rotary hook mechanism



T-8452A-301

L . ゲージ関係 / Gauge parts



T-8452A-231

K2 . かま関係 / Rotary hook mechanism

| REF.NO | CODE | Q'TY | 品名 | NAME OF PARTS | RM |
|---|-----------|------|-------------|-------------------------|----|
| 1 | * | 1 | カマハコクミ | ROTARY HOOK BOX ASSY | |
| 2 | 151025001 | 1 | チヨウシバネ | TENSION SPRING | |
| 3 | S01567001 | 1 | チヨウシネジ | TENSION ADJUSTING SCREW | |
| 4 | S01568001 | 1 | チヨウシバネトメネジ | SET SCREW | |
| 5 | 151035001 | 1 | タルミトリバネトメネジ | SET SCREW | |
| 6 | 151034001 | 1 | シタイトタルミトリバネ | TENSION SPRING | |
| 7 | 151027001 | 2 | ウチカマオサエトメネジ | SET SCREW | |
| 8 | 159801001 | 1 | イトオサエワイヤー | THREAD PRESSER WIRE | |
| 9 | 159802001 | 1 | シメネジ1.59X2 | SCREW, SM1.59X2 | |
| <p>* については、仕様別部品一覧表(P.52)でお調べください。 As for symbol * look it up in the different parts list on page 52.</p> | | | | | |

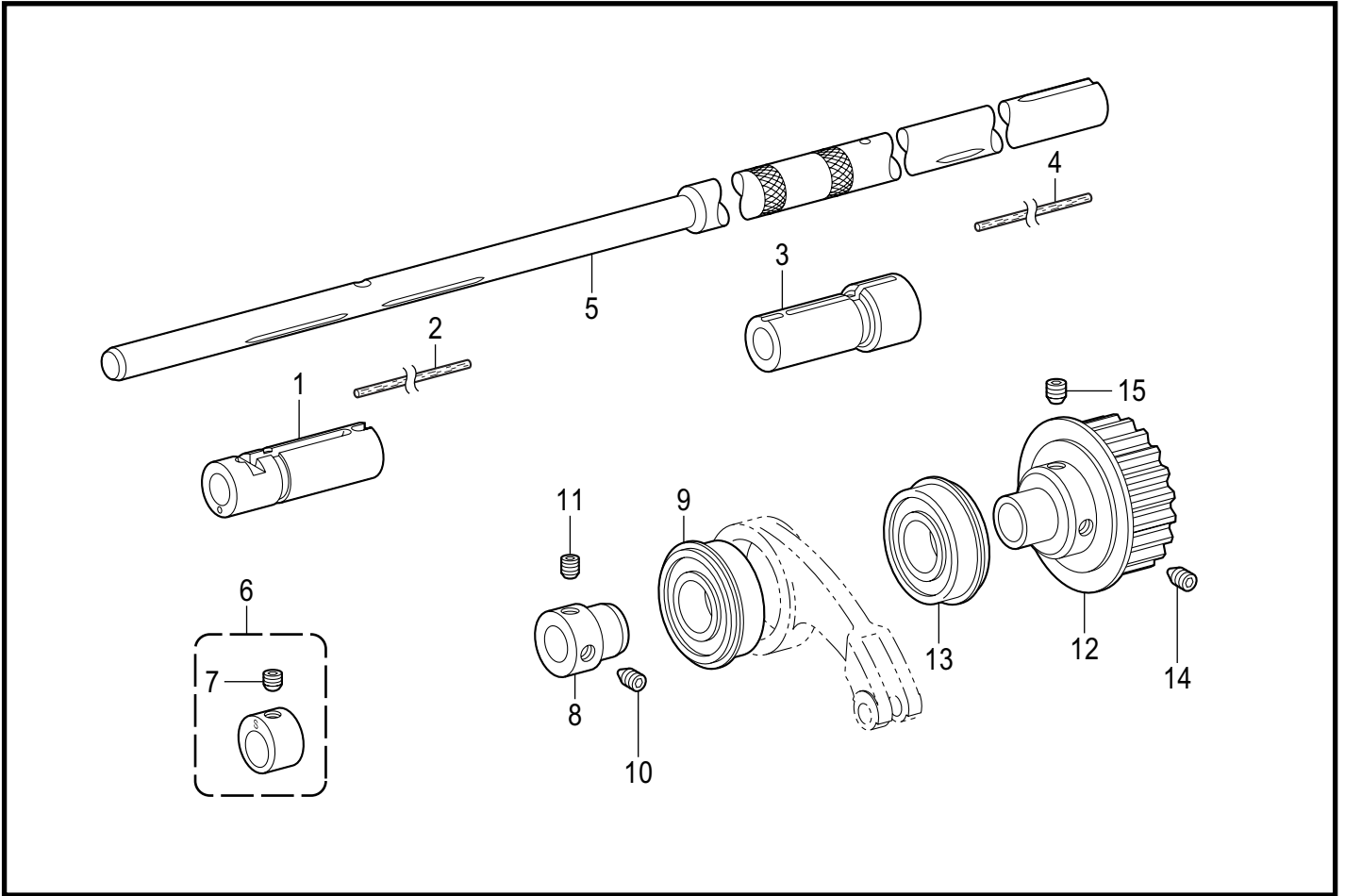
T-8452A-301

L . ゲージ関係 / Gauge parts

| REF.NO | CODE | Q'TY | 品名 | NAME OF PARTS | RM |
|---|-----------|------|----------------|----------------------------|----|
| 1 | * | 1 | ハリダキLクミ | NEEDLE CLAMP ASSY,L | |
| 2 | * | 1 | ハリダキRクミ | NEEDLE CLAMP ASSY,R | |
| 3 | 013660412 | 2 | トメクボミ3.18-40X4 | SET SCREW (CP) SM3.18-40X4 | |
| 4 | S13085001 | 2 | トメネジ3.18 | SET SCREW, SM3.18 | |
| 5 | 149831101 | 2 | アタマツキトメネジ3.18 | SET SCREW, SM3.18 | |
| 6 | * | 1 | ハリイタ | NEEDLE PLATE | |
| 7 | S11244001 | 1 | シメネジ4.37 | SCREW, SM4.37 | |
| 8 | 100032004 | 1 | サラネジ4.37 | SCREW, FLAT SM4.37-40X8 | |
| 9 | * | 1 | オサエクミ | PRESSER FOOT ASSY | |
| 10 | 113050001 | 1 | シメネジ3.57 | SCREW, SM3.57 | |
| 11 | * | 1 | オクリバ | FEED DOG | |
| 12 | S07494001 | 2 | シメネジ3.18 | SCREW, W/SOCKET SM3.18X7 | |
| 13 | * | 2 | ミシンハリDPX5 | NEEDLE, DPX5 | |
| <p>* については、ゲージ部品一覧表(P.53-56)でお調べください。 As for symbol * look it up in the gauge parts list on page 53-56.</p> | | | | | |

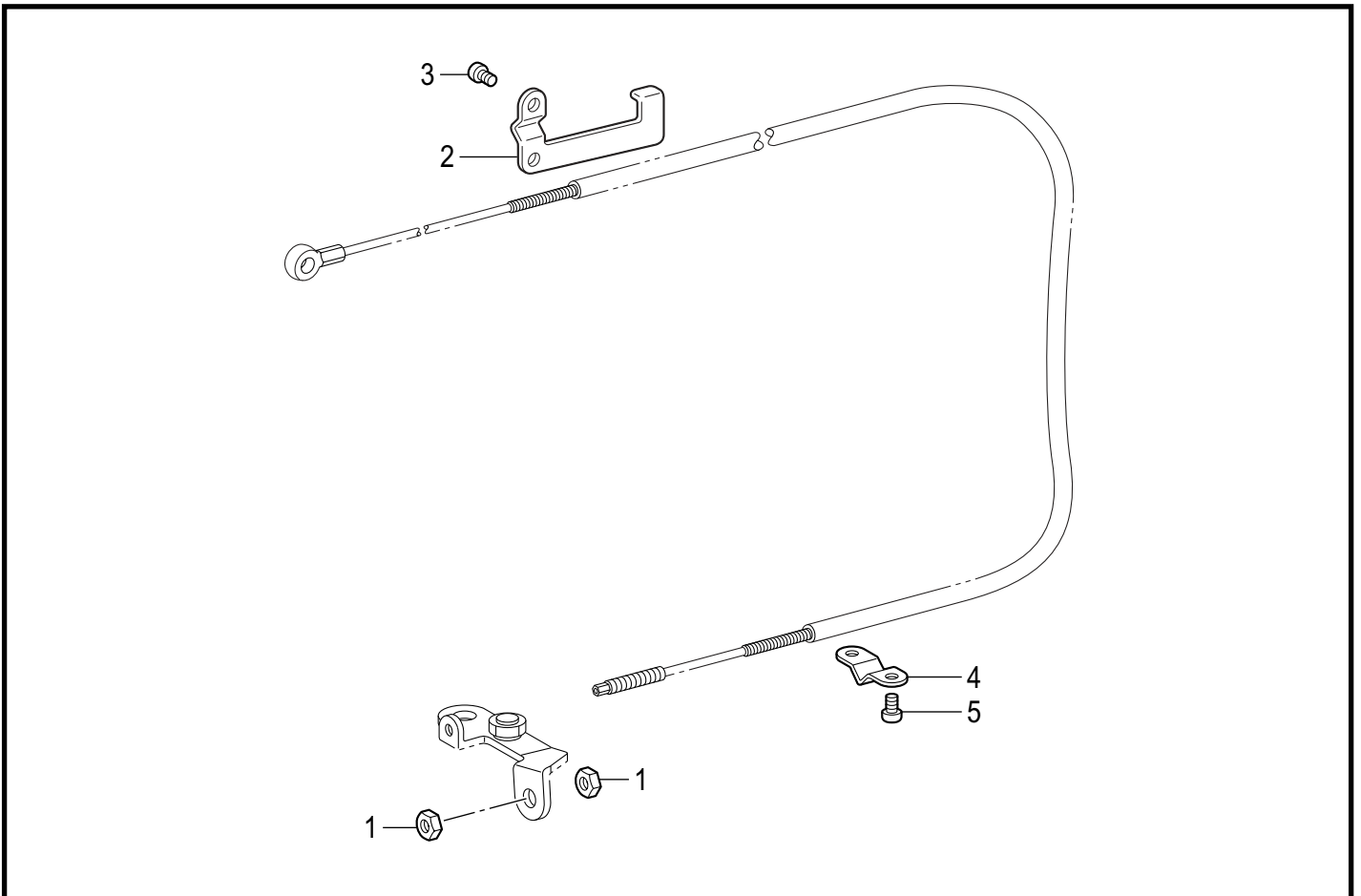
T-8452A-231

M . 下軸関係 / Lower shaft mechanism



T-8452A-305

N . 糸緩め関係 / Tension release mechanism



T-8452A-404

M . 下軸関係 / Lower shaft mechanism

| REF.NO | CODE | Q'TY | 品名 | NAME OF PARTS | RM |
|--------|-----------|------|----------------|--------------------------------|----|
| 1 | SA3890001 | 1 | カマドダイメタルL | ROTARY HOOK BASE BUSH, L | |
| 2 | SA4585001 | 1 | フェルト | FELT | |
| 3 | SA3891001 | 1 | カマドダイメタルR | ROTARY HOOK BASE BUSH, R | |
| 4 | SA4585001 | 1 | フェルト | FELT | |
| 5 | SA2571001 | 1 | シタジク | LOWER SHAFT | |
| 6 | SA2580101 | 1 | ジヨウゲヘンシンリンTRクミ | F-LIFTING ECCENTRIC WHEEL ASSY | |
| 7 | SA4509001 | 1 | トメネジM6ホソメ | SET SCREW (FT) M6 | |
| 8 | SA2584001 | 1 | タマジクウケブツシュ | BALL BEARING BUSH | |
| 9 | 072600480 | 1 | Tタマジクウケ6004ZZ | BALL BEARING, THRUST 6004ZZ | |
| 10 | SA2585001 | 1 | アナトガリ6X10ホソメ | SET SCREW, SOCKET (FT) M6 | |
| 11 | S25236001 | 1 | アナヒラ6X10ホソメ | SET SCREW, SOCKET (FT) M6X10 | |
| 12 | SA2587101 | 1 | タイミングプーリDクミ | TIMING PULLEY ASSY, D | |
| 13 | 158115001 | 1 | タマジクウケ6204ZZNR | BALL BEARING, 6204ZZNR | |
| 14 | SA2585001 | 1 | アナトガリ6X10ホソメ | SET SCREW, SOCKET (FT) M6 | |
| 15 | SA4213001 | 1 | アナトメネジ6X10ホソメ | SET SCREW, SOCKET (CP) M6X10 | |

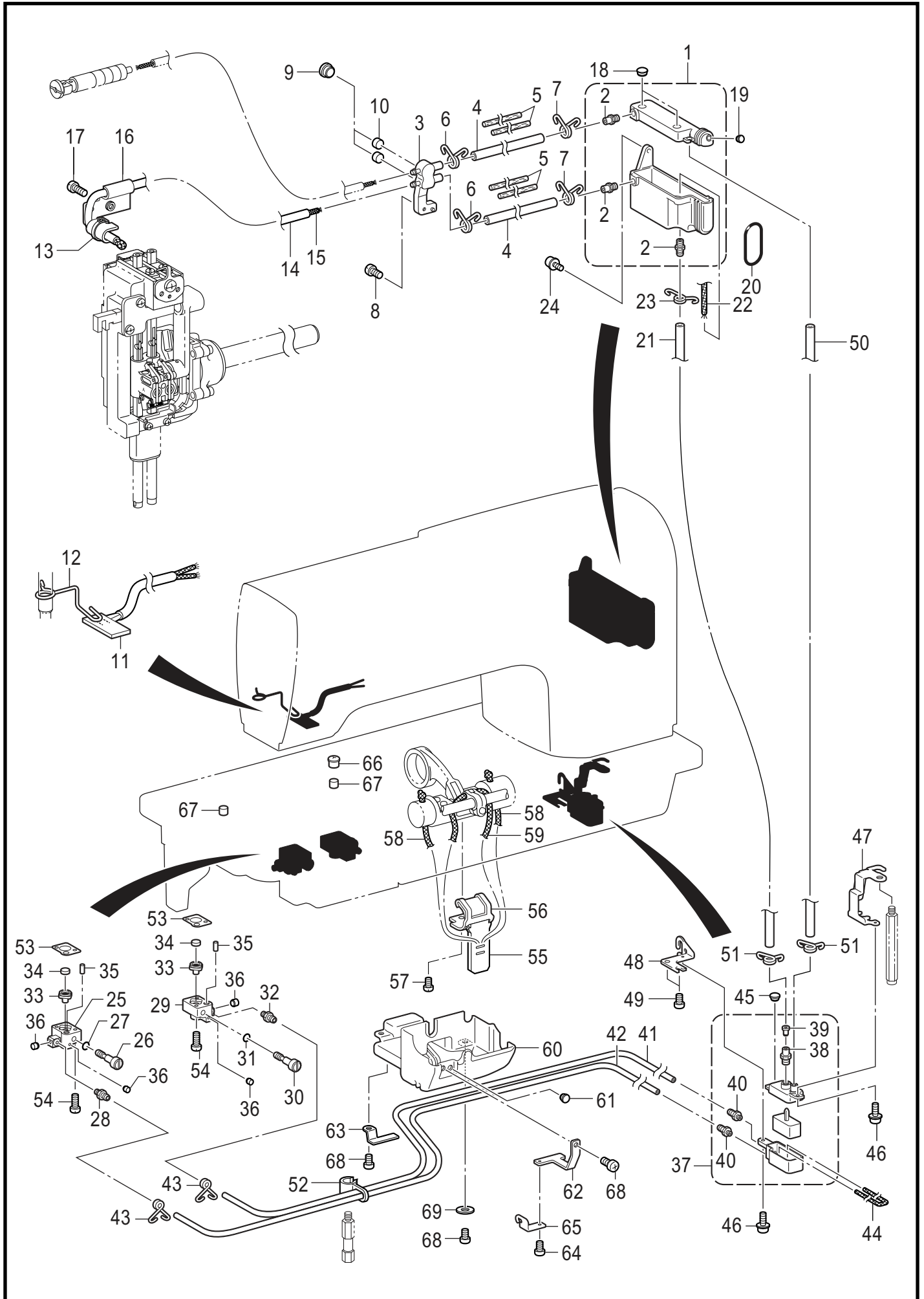
T-8452A-305

N . 系緩め関係 / Tension release mechanism

| REF.NO | CODE | Q'TY | 品名 | NAME OF PARTS | RM |
|--------|-----------|------|--------------|-----------------------------|----|
| 1 | 110161004 | 2 | ナツト4.76 | NUT, SM4.76 | |
| 2 | SA2678001 | 1 | イトユルメワイヤ-オサエ | TENSION RELEASE WIRE HOLDER | |
| 3 | 062500816 | 2 | ナベコ5X8 | SCREW, PAN M5X8 | |
| 4 | SA2679001 | 1 | イトユルメワイヤ-オサエ | TENSION RELEASE WIRE HOLDER | |
| 5 | 062060816 | 2 | ナベコ6X8 | SCREW, PAN M6X8 | |

T-8452A-404

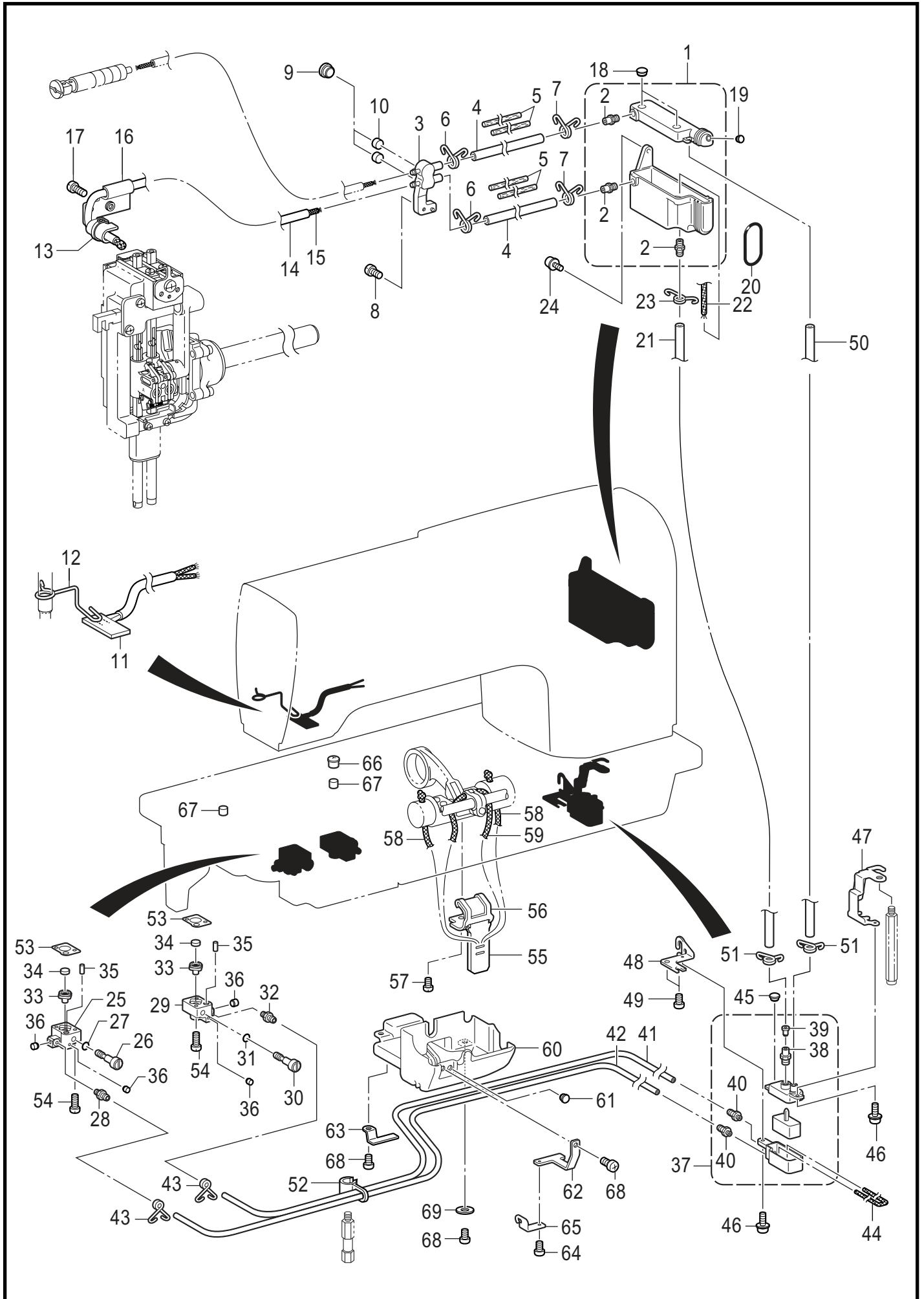
P. 給油潤滑關係 / Lubrication



P. 給油潤滑関係 / Lubrication

| REF.NO | CODE | Q'TY | 品名 | NAME OF PARTS | RM |
|--------|-----------|------|---------------|------------------------------|----|
| 1 | SA2814201 | 1 | オイルタンククミ | OIL TANK ASSY | |
| 2 | SA3040001 | 3 | オイルクチ | OIL FEEDING PIPE | |
| 3 | SA3946001 | 1 | キュウユタ-ミナル | OIL TERMINAL | |
| 4 | SA2956001 | 2 | ビニルチューブ | OIL TUBE, L=135 | |
| 5 | SA2957001 | 4 | フェルト | FELT | |
| 6 | SA3055101 | 2 | チューブストツパー | TUBE CLIP | |
| 7 | SA3055101 | 2 | チューブストツパー | TUBE CLIP | |
| 8 | 062500816 | 1 | ナベコ5X8 | SCREW PAN M5X8 | |
| 9 | SA2929001 | 2 | ゴムセン12.5 | RUBBER CAP, 12.5 | |
| 10 | S38266000 | 2 | カマジクフェルト | ROTARY HOOK SHAFT FELT | |
| 11 | SA5224001 | 1 | フェルトクミ | FELT ASSY | |
| 12 | SA4033101 | 1 | フェルトオサエ | FELT SUPPORT | |
| 13 | 228475000 | 1 | ケツソクバンド1.9X80 | FASTENING BAND, 1.9X80 | |
| 14 | S49623000 | 1 | ビニルチューブ | OIL TUBE, L=280 | |
| 15 | SA5293001 | 1 | クミヒモ4X4 | WICK L=410 | |
| 16 | SA5154201 | 1 | キュウユササエ | OIL SUPPORT | |
| 17 | 062501016 | 1 | ナベコ5X10 | SCREW PAN M5X10 | |
| 18 | SA2929001 | 2 | ゴムセン12.5 | RUBBER CAP, 12.5 | |
| 19 | 104450101 | 1 | ゴムセン8 | RUBBER CAP, 8 | |
| 20 | 081038070 | 1 | リングP38 | O RING P38 | |
| 21 | SA2723001 | 1 | ビニルチューブ | OIL TUBE, L=210 | |
| 22 | SA2724001 | 1 | クミヒモ | WICK, L=400 | |
| 23 | SA3055101 | 1 | チューブストツパー | TUBE CLIP | |
| 24 | 0A5501006 | 2 | +ナベザクミ5X10DB | SCREW PAN (S/P WASHER) M5X10 | |
| 25 | SA3896001 | 1 | キュウユブロックL | OIL BLOCK,L | |
| 26 | SA2599001 | 1 | オイルチヨウセツネジ | OIL ADJUSTING SCREW | |
| 27 | 081004070 | 1 | リングP4 | O RING P4 | |
| 28 | SA3147001 | 1 | オイルクチ2.5 | OIL FEEDING PIPE 2.5 | |
| 29 | SA3898001 | 1 | キュウユブロックR | OIL BLOCK,R | |
| 30 | SA2599001 | 1 | オイルチヨウセツネジ | OIL ADJUSTING SCREW | |
| 31 | 081004070 | 1 | リングP4 | O RING P4 | |
| 32 | SA3147001 | 1 | オイルクチ2.5 | OIL FEEDING PIPE 2.5 | |
| 33 | SA3061001 | 2 | ゴムパツキン | RUBBER PACKING | |
| 34 | SA2727101 | 2 | カマジクフェルト | ROTARY HOOK SHAFT FELT | |
| 35 | S05246000 | 2 | フェルト | FELT | |
| 36 | 142274101 | 4 | ゴムセン4.2 | RUBBER CAP, 4.2 | |
| 37 | SA3037001 | 1 | サブタンククミ | SUB-TANK ASSY | |
| 38 | SA3040001 | 1 | オイルクチ | OIL FEEDING PIPE | |
| 39 | SA3060001 | 1 | バルブパツキン | VALVE PACKING | |
| 40 | SA3147001 | 2 | オイルクチ2.5 | OIL FEEDING PIPE 2.5 | |
| 41 | SA2596001 | 1 | ビニルチューブ | OIL TUBE, L=400 | |
| 42 | SA2597001 | 1 | ビニルチューブ | OIL TUBE, L=500 | |
| 43 | S07876101 | 2 | チューブストツパー | TUBE CLIP | |
| 44 | SA2598101 | 1 | クミヒモ | WICK, L=1250 | |
| 45 | 104450101 | 1 | ゴムセン8 | RUBBER CAP, 8 | |
| 46 | 0A4400806 | 2 | +ナベザクミ4X8DA | SCREW PAN (S/P WASHER) M4X8 | |
| 47 | SA3045201 | 1 | サブタンクトリツケイタA | SUB-TANK SETTING PLATE, A | |
| 48 | SA3046001 | 1 | サブタンクトリツケイタB | SUB-TANK SETTING PLATE, B | |
| 49 | 062060816 | 2 | ナベコ6X8 | SCREW PAN M6X8 | |
| 50 | SA3044001 | 1 | ビニルチューブ | OIL TUBE, L=242 | |
| 51 | SA3055101 | 2 | チューブストツパー | TUBE CLIP | |
| 52 | SA3047001 | 1 | チューブササエ | TUBE SUPPORT | |
| 53 | SA3923001 | 2 | カマドダイDパツキン | ROTARY HOOK BASE D PACKING | |
| 54 | 062401616 | 4 | ナベコ4X16 | SCREW PAN M4X16 | |
| 55 | SA2604001 | 1 | キリカエキフェルト | FEED REGULATOR FELT | |
| 56 | SA2605001 | 1 | フェルトオサエイタ | FELT SUPPORT | |
| 57 | 062500616 | 1 | ナベコ5X6 | SCREW PAN M5X6 | |
| 58 | 108802001 | 2 | クミヒモ4X4 | WICK, 4X4 L=250 | |
| 59 | 108801001 | 1 | クミヒモ4X4 | WICK, 4X4 L=350 | |
| 60 | SA2606101 | 1 | オイルカバー | OIL COVER | |
| 61 | 104450101 | 1 | ゴムセン8 | RUBBER CAP, 8 | |
| 62 | SA3048101 | 1 | チューブオサエA | TUBE SUPPORT, A | |
| 63 | SA3049001 | 1 | チューブオサエB | TUBE SUPPORT, B | |

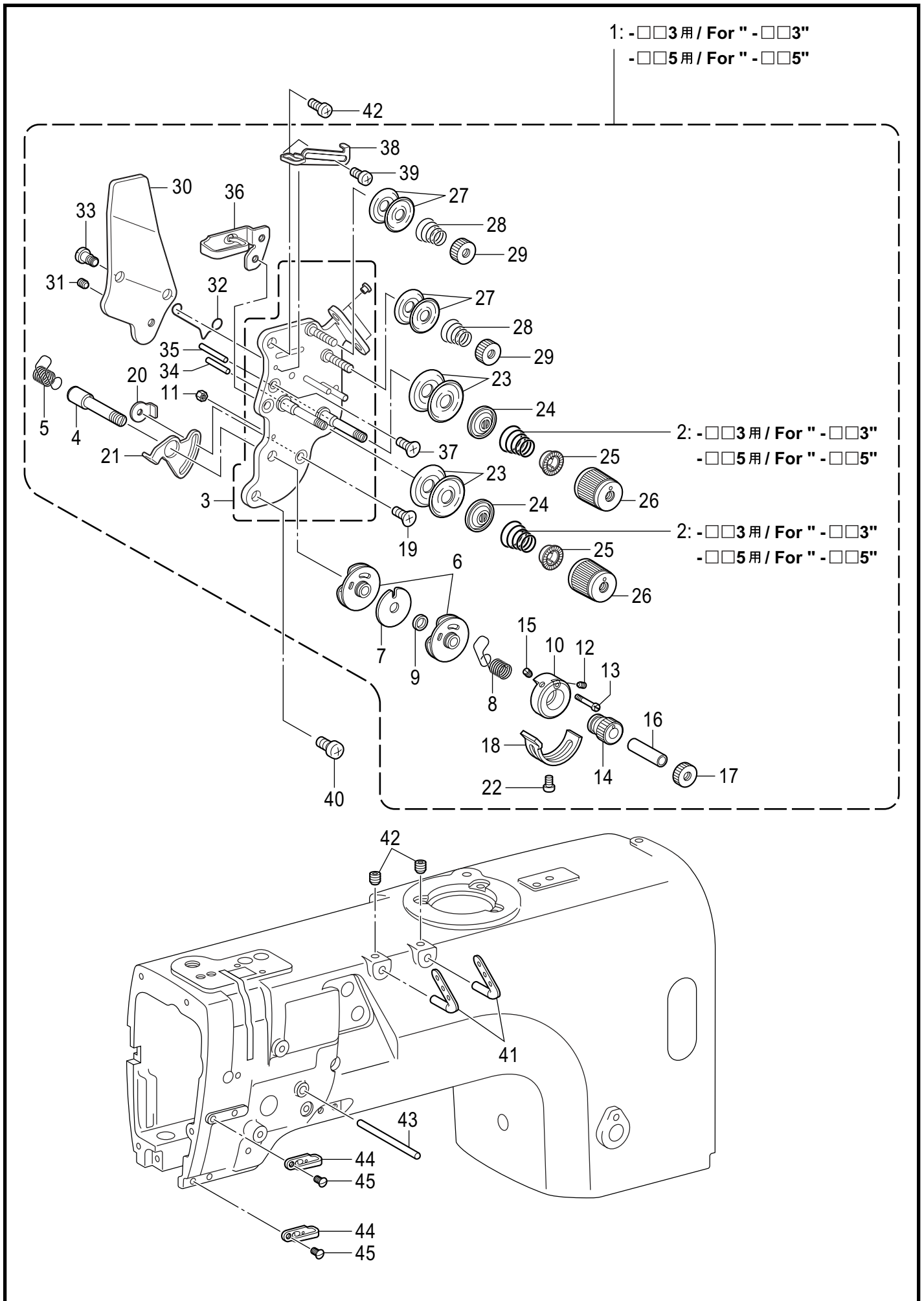
P. 給油潤滑關係 / Lubrication



P. 給油潤滑関係 / Lubrication

| REF.NO | CODE | Q'TY | 品名 | NAME OF PARTS | RM |
|--------|-----------|------|-----------|------------------|----|
| 64 | 062400616 | 1 | ナベコ4X6 | SCREW PAN M4X6 | |
| 65 | SA4014001 | 1 | チューブガイド | TUBE GUIDE | |
| 66 | 140890009 | 1 | オイルカップ | OIL CAP | |
| 67 | 112753001 | 2 | フェルト | FELT | |
| 68 | 062061016 | 3 | ナベコ6X10 | SCREW PAN M6X10 | |
| 69 | 025060236 | 1 | ヒラザガネチュウ6 | WASHER PLAIN M 6 | |

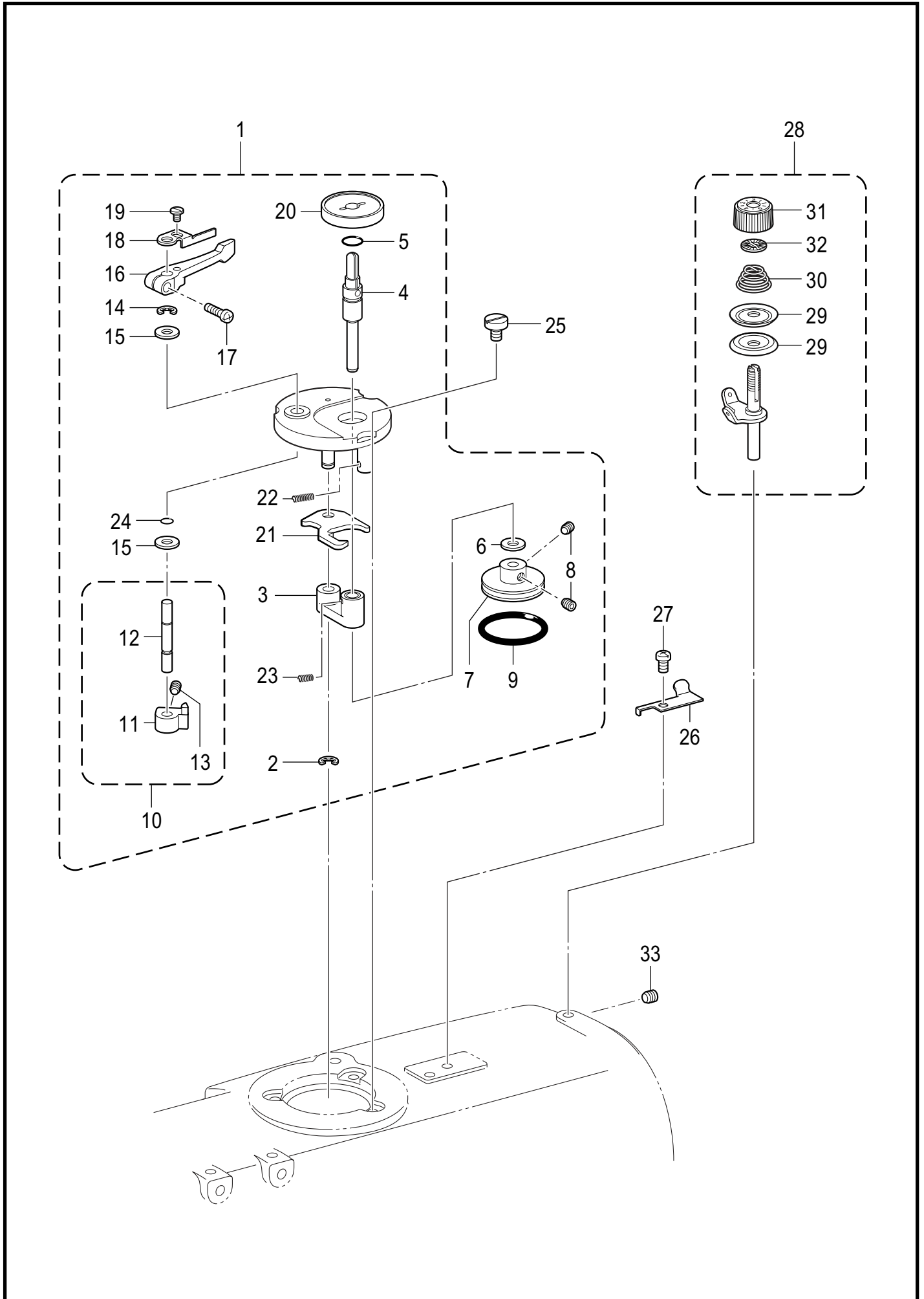
Q . 糸通し関係 / Threading mechanism



Q . 糸通し関係 / Threading mechanism

| REF.NO | CODE | Q'TY | 品名 | NAME OF PARTS | RM |
|--------|-----------|------|-------------------------|--|----|
| 1 | SA3417001 | 1 | <-□□3用> ウワイトチヨウシクミ-3 | <For"-□□3"> UPPER THREAD TENSION ASSY, -3 | |
| 2 | SA3415001 | 2 | イトチヨウシバネL | TENSION SPRING, L | |
| 1 | SA2607001 | 1 | <-□□5用> ウワイトチヨウシクミ-5 | <For"-□□5"> UPPER THREAD TENSION ASSY, -5 | |
| 2 | SA3416001 | 2 | イトチヨウシバネLL | TENSION SPRING, LL | |
| 3 | SA4212001 | 1 | イトチヨウシダイクミ | TENSION PLATE ASSY | |
| 4 | SA2613001 | 1 | チヨウシジク | TENSION STUD | |
| 5 | SA2614001 | 1 | イトトリバネL | THREAD TAKE-UP SPRING, L | |
| 6 | SA2615001 | 2 | イトトリバネアンナイクミ | GUIDE ASSY, T/TAKE-UP SPRING | |
| 7 | SA2619001 | 1 | スペーサー | SPACER | |
| 8 | SA2623001 | 1 | イトトリバネR | THREAD TAKE-UP SPRING, R | |
| 9 | SA2620001 | 1 | カラ- | COLLAR | |
| 10 | SA2621001 | 1 | ストツパウケ | STOPPER SUPPORT | |
| 11 | 021300106 | 1 | 1シユナツト3 | NUT, 1 M3 | |
| 12 | SA2626001 | 1 | トメネジ3.5 | SET SCREW, (CP) M3.5 | |
| 13 | SA2624001 | 1 | バネアンナイトメネジ | SPRING GUIDE SET SCREW | |
| 14 | SA2625001 | 1 | チヨウセツツマミ | ADJUSTING THUMB | |
| 15 | SA2626001 | 1 | トメネジ3.5 | SET SCREW, (CP) M3.5 | |
| 16 | SA2627001 | 1 | カラ- | COLLAR | |
| 17 | SA2628001 | 1 | イトチヨウシナツト | TENSION NUT | |
| 18 | SA2629001 | 1 | イトトリバネストツパ | STOPPER | |
| 19 | 061350616 | 1 | サラコ35X6 | SCREW, FLAT M3.5X6 | |
| 20 | SA2824001 | 1 | マワリドメナツトM3.5 | NUT, WHIRL-STOP M3.5 | |
| 21 | SA2630001 | 1 | イトトリバネストツパ | STOPPER | |
| 22 | 062350512 | 1 | ナベコ35X5 | SCREW, PAN M3.5X5 | |
| 23 | 145446001 | 4 | イトチヨウシサラ | DISC, TENSION | |
| 24 | 159805001 | 2 | イトチヨウシサラオサエ | TENSION DISC PRESSER | |
| 25 | S20681000 | 2 | チヨウシバネウエザガネ | WASHER | |
| 26 | S20682105 | 2 | イトチヨウシナツト | TENSION NUT | |
| 27 | 144504001 | 4 | イトアンナイサラ | THREAD GUIDE DISC | |
| 28 | 154560001 | 2 | プレテンションバネA | PRE-TENSION SPRING, A | |
| 29 | 155510001 | 2 | イトチヨウシナツト | TENSION NUT | |
| 30 | SA2632001 | 1 | イトユルメイタ | TENSION RELEASE PLATE | |
| 31 | 012500536 | 1 | アナヒラ5X5 | SET SCREW, SOCKET (FT) M5X5 | |
| 32 | S38274001 | 1 | イトユルメバネ | T-RELEASE SPRING | |
| 33 | SA2633001 | 2 | ダンネジ3.5 | SHOULDER SCREW, M3.5 | |
| 34 | SA4506001 | 1 | イトユルメピンL | TENSION RELEASE PIN, L | |
| 35 | SA4507001 | 1 | イトユルメピンR | TENSION RELEASE PIN, R | |
| 36 | SA2634001 | 1 | ア-ムイトアンナイU | THREAD GUIDE, U :ARM | |
| 37 | 061350616 | 2 | サラコ35X6 | SCREW, FLAT M3.5X6 | |
| 38 | SA2635001 | 1 | イトリヨウチヨウセイ | THREAD QUANTITY ADJUST | |
| 39 | 062300616 | 1 | ナベコ3X6 | SCREW, PAN M3X6 | |
| 40 | 062500816 | 2 | ナベコ5X8 | SCREW, PAN M5X8 | |
| 41 | SA2636001 | 2 | ミツメイトカケ | THREAD RETAINER | |
| 42 | 012060636 | 2 | アナヒラ6X6 | SET SCREW, SOCKET (FT) M6X6 | |
| 43 | SA2637001 | 1 | イトユルメジク | BAR, TENSION RELEASE | |
| 44 | SA2638001 | 2 | ア-ムイトアンナイM | THREAD GUIDE, M :ARM | |
| 45 | SA2640001 | 2 | サラネジ5X8 | SCREW, FLAT M5X8 | |

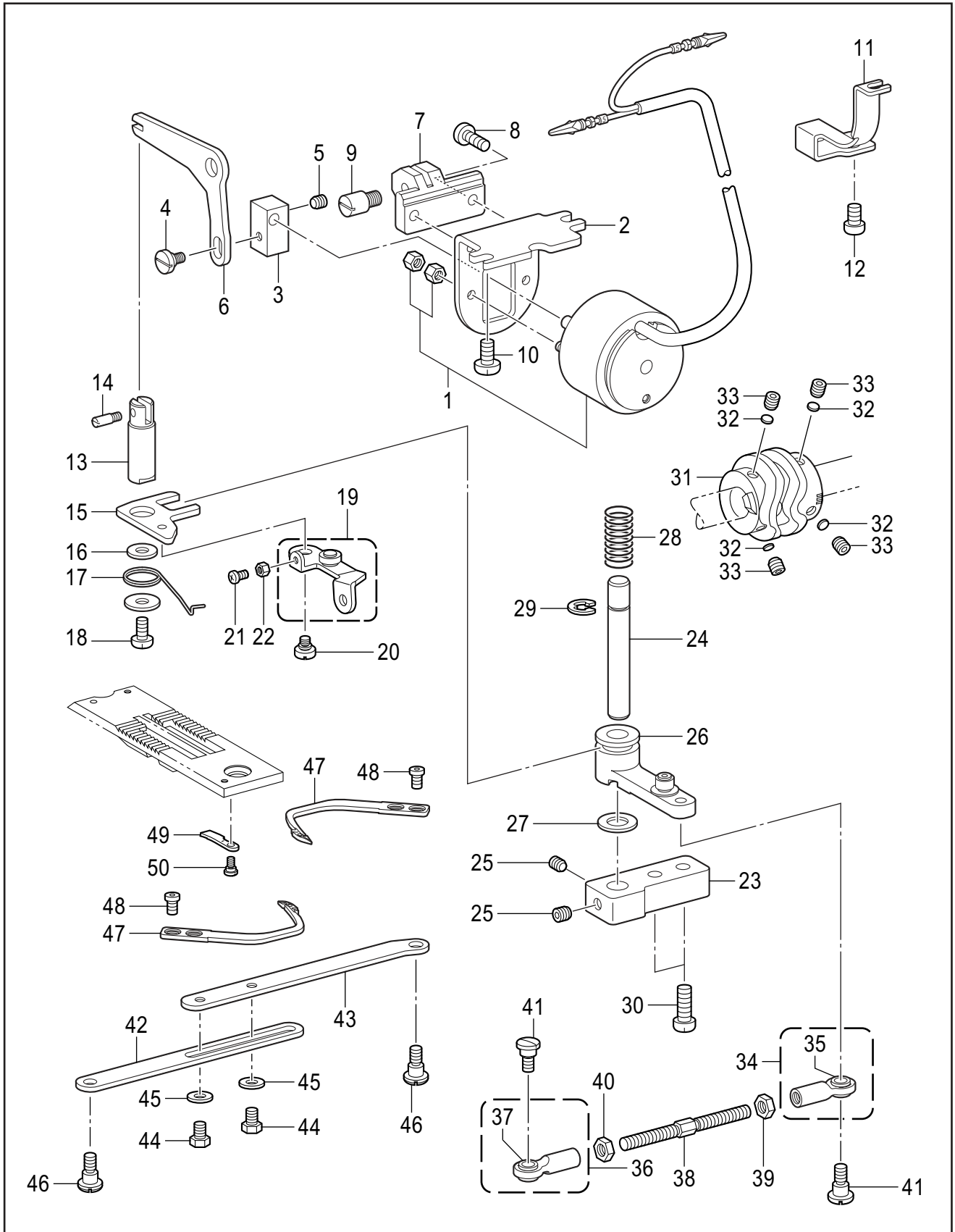
R . 糸巻関係 / Bobbin winder mechanism



R . 糸巻関係 / Bobbin winder mechanism

| REF.NO | CODE | Q'TY | 品名 | NAME OF PARTS | RM |
|--------|-----------|------|-------------|-----------------------------|----|
| 1 | SA1971101 | 1 | イトマキユニット | BOBBIN WINDER UNIT | |
| 2 | 048040342 | 1 | トメワE4 | RETAINING RING, E4 | |
| 3 | SA1975001 | 1 | イトマキジクウケクミ | B-WINDER SHAFT SUPPORT ASSY | |
| 4 | SA1978001 | 1 | イトマキジク | BOBBIN WINDER SHAFT | |
| 5 | 081009070 | 1 | OリングP9 | O RING, P9 | |
| 6 | 025060136 | 1 | ヒラザガネシヨウ6 | WASHER, PLAIN S 6 | |
| 7 | SA1980001 | 1 | イトマキクルマ | BOBBIN WINDER WHEEL | |
| 8 | 012500536 | 2 | アナヒラ5X5 | SET SCREW, SOCKET (FT) M5X5 | |
| 9 | S25789000 | 1 | ゴムワ29 | RUBBER RING, 29 | |
| 10 | SA1981101 | 1 | ボビンオサエカムクミ | BOBBIN PRESSER CAM ASSY | |
| 11 | SA1982101 | 1 | ボビンオサエカム | BOBBIN PRESSER CAM | |
| 12 | SA1983001 | 1 | イトマキウデジク | BOBBIN WINDER ARM SHAFT | |
| 13 | 012500536 | 1 | アナヒラ5X5 | SET SCREW, SOCKET (FT) M5X5 | |
| 14 | 048040342 | 1 | トメワE4 | RETAINING RING, E4 | |
| 15 | 025060136 | 2 | ヒラザガネシヨウ6 | WASHER, PLAIN S 6 | |
| 16 | SA1984001 | 1 | ボビンオサエウデ | BOBBIN PRESSER ARM | |
| 17 | 062401216 | 1 | ナベコ4X12 | SCREW, PAN M4X12 | |
| 18 | SA1985001 | 1 | ボビンオサエ | BOBBIN PRESSER | |
| 19 | S23418002 | 1 | シメネジ4X5 | SCREW, M4X5 | |
| 20 | SA1988001 | 1 | ボビンウケ | BOBBIN SUPPORT | |
| 21 | SA1989001 | 1 | イトマキレバー | BOBBIN WINDER LEVER | |
| 22 | SA1990101 | 1 | モドシバネ | SPRING | |
| 23 | SA1991001 | 1 | イトマキダイバネ | BOBBIN WINDER BASE SPRING | |
| 24 | SA2190001 | 1 | OリングSS5 | O RING, SS5 | |
| 25 | SA1992101 | 3 | イトマキコテイネジ | BOBBIN WINDER FIXED SCREW | |
| 26 | SA1360001 | 1 | メス | KNIFE | |
| 27 | 062500616 | 1 | ナベコ5X6 | SCREW, PAN M5X6 | |
| 28 | SA1994001 | 1 | イトマキチヨウシクミ | BOBBIN WINDER TENSION ASSY | |
| 29 | 145446001 | 2 | イトチヨウシサラ | DISC, TENSION | |
| 30 | 100401021 | 1 | イトチヨウシバネ | TENSION SPRING | |
| 31 | S31032001 | 1 | イトチヨウシナツト | TENSION NUT | |
| 32 | S12441001 | 1 | チヨウシバネウエザガネ | WASHER | |
| 33 | 012500536 | 1 | アナヒラ5X5 | SET SCREW, SOCKET (FT) M5X5 | |

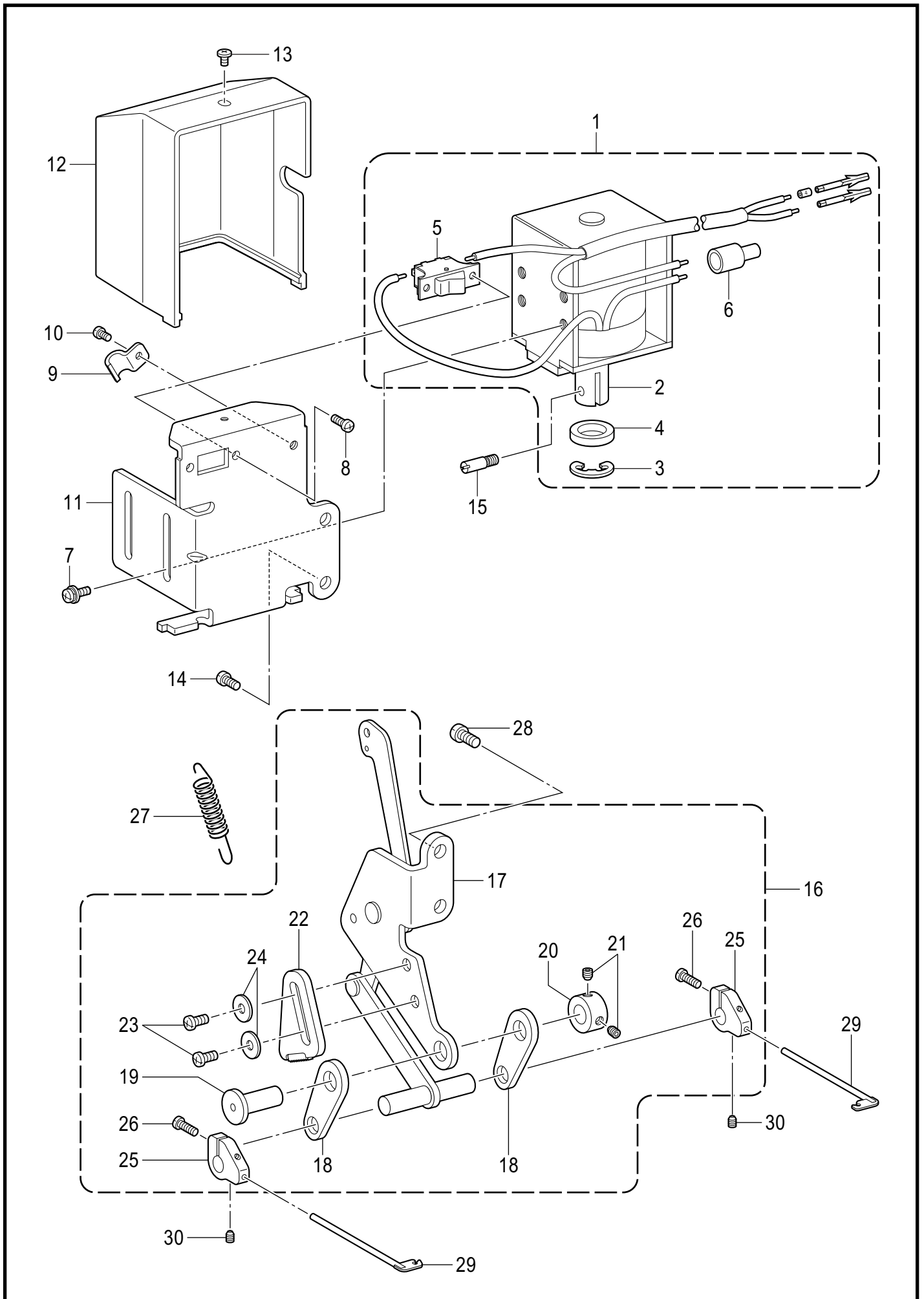
S . 糸切り関係 / Thread trimmer mechanism



S. 糸切り関係 / Thread trimmer mechanism

| REF.NO | CODE | Q'TY | 品名 | NAME OF PARTS | RM |
|--------|-----------|------|--------------|-------------------------------|----|
| 1 | SA2642001 | 1 | イトキリソレノイド | THREAD TRIMMER SOLENOID | |
| 2 | SA2643001 | 1 | ソレノイドシジイタ | SOLENOID BRACKET | |
| 3 | SA2644001 | 1 | ソレノイドツギテ | SOLENOID JOINT | |
| 4 | SA2645001 | 1 | ダンネジM5 | SHOULDER SCREW, M5 | |
| 5 | 012500536 | 1 | アナヒラ5X5 | SET SCREW, SOCKET (FT) M5X5 | |
| 6 | SA2646001 | 1 | ソレノイドレバー | SOLENOID LEVER | |
| 7 | SA2728001 | 1 | ソレノイドレバーウケ | SOLENOID LEVERB RACKET | |
| 8 | 062501016 | 2 | ナベコ5X10 | SCREW, PAN M5X10 | |
| 9 | SA2647001 | 1 | ソレノイドレバージク | SOLENOID LEVER SHAFT | |
| 10 | 062061012 | 2 | ナベコ6X10 | SCREW, PAN M6X10 | |
| 11 | SA2648001 | 1 | コードオサエ | CORD HOLDER | |
| 12 | 062060816 | 1 | ナベコ6X8 | SCREW, PAN M6X8 | |
| 13 | SA2651001 | 1 | イトキリジク | DRIVING ROD | |
| 14 | 148546001 | 1 | プランジヤピン | PLUNGER PIN | |
| 15 | SA2652101 | 1 | イトキリジクイタ | DRIVING ROD PLATE, TR | |
| 16 | SA2860001 | 1 | ザガネ | WASHER | |
| 17 | SA2859000 | 1 | イトユルメレバーバネ | SPRING,TENSION RELEASE LEVER | |
| 18 | 062501016 | 1 | ナベコ5X10 | SCREW, PAN M5X10 | |
| 19 | SA2653001 | 1 | イトユルメレバークミ | TENSION RELEASE LEVER ASSY | |
| 20 | SA2655001 | 1 | ダンネジM4 | SHOULDER SCREW, M4 | |
| 21 | 062351216 | 1 | ナベコ35X12 | SCREW, PAN M3.5X12 | |
| 22 | 021350106 | 1 | 1シュナツト35 | NUT, 1 M3.5 | |
| 23 | SA2657001 | 1 | シュレバージクササエ | MAIN LEVER SUPPORT SHAFT | |
| 24 | SA2658001 | 1 | シュレバージク | MAIN LEVER SHAFT | |
| 25 | 012060636 | 2 | アナヒラ6X6 | SET SCREW, SOCKET (FT) M6X6 | |
| 26 | SA2659001 | 1 | シュレバークミ | MAIN LEVER ASSY, KNIFE | |
| 27 | 148559100 | 1 | ゴム | RUBBER | |
| 28 | S07509001 | 1 | シュレバーバネ | MAIN LEVER SPRING | |
| 29 | 048070342 | 1 | トメワE7 | RETAINING RING, E7 | |
| 30 | 062061616 | 2 | ナベコ6X16 | SCREW, PAN M6X16 | |
| 31 | SA2661001 | 1 | イトキリカム | THREAD TRIMMER CAM | |
| 32 | SA2378001 | 4 | カンザ4.8 | SPACER,4.8 | |
| 33 | S25236001 | 4 | アナヒラ6X10ホソメ | SET SCREW, SOCKET (FT) M6X10 | |
| 34 | SA2663001 | 1 | タマツギテRクミ | ROUND JOINT ASSY, R | |
| 35 | 141331002 | 1 | キュウメンブシュ | BUSH | |
| 36 | SA2665001 | 1 | タマツギテLクミ | ROUND JOINT ASSY, L | |
| 37 | 141331002 | 1 | キュウメンブシュ | BUSH | |
| 38 | SA2667001 | 1 | ナガサチヨウセツレンカン | L-ADJUSTING CONNECTING ROD | |
| 39 | 021060306 | 1 | 3シュナツト6 | NUT, 3 M6 | |
| 40 | SA2668001 | 1 | ナツト6ヒダリ | NUT,M6 LEFT | |
| 41 | SA2669001 | 2 | タマツギテダンネジ | SHOULDER SCREW, SM5.95-28 | |
| 42 | SA2672001 | 1 | イトキリレンカンR | T-TRIMMER CONNECTING ROD, R | |
| 43 | SA2673001 | 1 | イトキリレンカンL | T-TRIMMER CONNECTING ROD, L | |
| 44 | 017500812 | 2 | ボルト5X8 | BOLT, M5X8 | |
| 45 | 025050236 | 2 | ヒラザガネチユウ5 | WASHER, PLAIN M 5 | |
| 46 | SA2645001 | 2 | ダンネジM5 | SHOULDER SCREW, M5 | |
| 47 | S07526201 | 2 | イドウハ | MOVABLE KNIFE | |
| 48 | 148536001 | 4 | シメネジ4.37 | SCREW, W/SOCKET SM4.37-40X4.2 | |
| 49 | S07527001 | 2 | コテイハ | FIXED KNIFE | |
| 50 | 148539101 | 2 | ダンネジ2.38 | SHOULDER SCREW, SM2.38 | |
| 51 | S38687000 | 1 | コネクタ5557-14R | CONNECTOR, 5557-14R | |
| 52 | SA1998001 | 1 | アースセンクミ | GROUND WIRE ASSY | |
| 53 | 062500816 | 1 | ナベコ5X8 | SCREW, PAN M5X8 | |
| 54 | 340400001 | 2 | ユニタイバンド | BEAD BAND | |

T. 糸払い関係 / Thread wiper mechanism



T . 糸払い関係 / Thread wiper mechanism

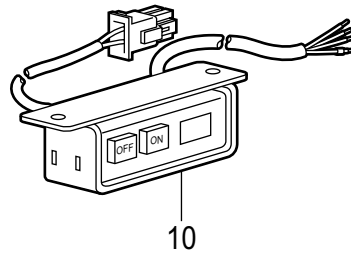
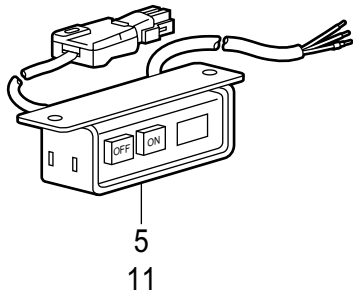
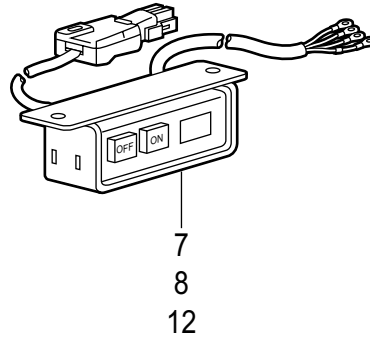
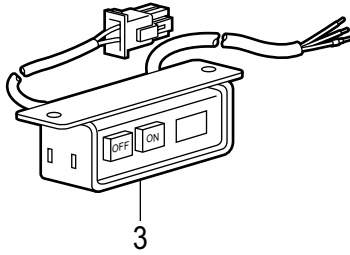
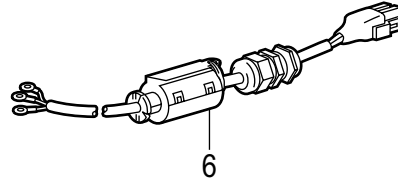
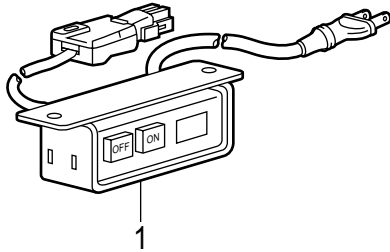
| REF.NO | CODE | Q'TY | 品名 | NAME OF PARTS | RM |
|--------|-----------|------|--------------|------------------------------|----|
| 1 | SA2680001 | 1 | イトハライソレノイドクミ | THREAD WIPER SOLENOID ASSY | |
| 2 | 148511001 | 1 | プランジャ | PLUNGER | |
| 3 | 048090342 | 1 | トメワE9 | RETAINING RING, E9 | |
| 4 | S38426000 | 1 | プランジャゴム | PLUNGER RUBBER | |
| 5 | S02664001 | 1 | イトハライスイッチ | THREAD WIPER SWITCH | |
| 6 | S02665000 | 1 | ヘイタンセツゾクシ | TERMINAL CONNECTOR | |
| 7 | S39048001 | 4 | ナベザクミM4X10 | SCREW, PAN (S/P W) M4X10 | |
| 8 | 062300616 | 2 | ナベコ3X6 | SCREW, PAN M3X6 | |
| 9 | 140647101 | 1 | コードオサエ | CORD HOLDER | |
| 10 | 062400616 | 1 | ナベコ4X6 | SCREW, PAN M4X6 | |
| 11 | SA2732001 | 1 | ソレノイドホジイタ | SOLENOID HOLDING PLATE | |
| 12 | SA2696001 | 1 | ソレノイドカバー | SOLENOID COVER | |
| 13 | 060400516 | 1 | バインド4X5 | SCREW, BIND M4X5 | |
| 14 | 062501016 | 2 | ナベコ5X10 | SCREW, PAN M5X10 | |
| 15 | 148546001 | 1 | プランジャピン | PLUNGER PIN | |
| 16 | SA2682001 | 1 | イトハライリンククミ | THREAD WIPER SOLENOID ASSY | |
| 17 | SA2683001 | 1 | ソレノイドリンク | SOLENOID LINK | |
| 18 | S07549101 | 2 | イトハライリンクC | THREAD WIPER LINK, C | |
| 19 | S07550001 | 1 | リンクジク | LINK STUD | |
| 20 | SA2504001 | 1 | セツカラー | SET SCREW COLLAR | |
| 21 | 012500536 | 2 | アナヒラ5X5 | SET SCREW, SOCKET (FT) M5X5 | |
| 22 | S38421001 | 1 | ストツパ | STOPPER | |
| 23 | 062500816 | 2 | ナベコ5X8 | SCREW, PAN M5X8 | |
| 24 | 025050236 | 2 | ヒラザガネチユウ5 | WASHER, PLAIN M 5 | |
| 25 | S07552001 | 2 | イトハライウケ | THREAD WIPER SUPPORT | |
| 26 | 062661212 | 2 | ナベコ318-40X12 | SCREW, PAN SM3.18-40X12 | |
| 27 | SA2684001 | 1 | イトハライバネ | THREAD WIPER SPRING | |
| 28 | 062501016 | 2 | ナベコ5X10 | SCREW, PAN M5X10 | |
| 29 | S07553001 | 2 | イトハライ | THREAD WIPER | |
| 30 | S07424001 | 2 | トメネジ3.18 | SET SCREW, W/SOCKET SM3.18X4 | |

U1 . コントロールボックス、モータ関係 / Control box and motor mechanism

| REF.NO | CODE | QTY | 品名 | NAME OF PARTS | RM |
|--------|----------------------|-----|---------------------|--|----|
| 1 | SA1385001 | 1 | マイクロスイッチクミ | MICRO SWITCH ASSY | |
| 2 | S38744101 | 1 | スイッチイタバネ | SWITCH PLATE SPRING | |
| 3 | SA2686001 | 1 | スイッチダイ | SWITCH BASE | |
| 4 | 062020806 | 2 | ナベコ2X8 | SCREW, PAN M2X8 | |
| 5 | 140647101 | 1 | コードオサエ | CORD HOLDER | |
| 6 | 062400616 | 1 | ナベコ4X6 | SCREW, PAN M4X6 | |
| 7 | 062401216 | 1 | ナベコ4X12 | SCREW, PAN M4X12 | |
| 8 | 026040236 | 1 | ヒラザガネミガキ4 | WASHER, PLAIN M 4 | |
| 9 | 154514001 | 1 | スペーサ- | SPACER | |
| 10 | 021400106 | 1 | 1シユナツト4 | NUT, 1 M4 | |
| 11 | SA4040001 | 1 | プ-リCDD | PULLEY,CDD | |
| 12 | SA3175001 | 1 | ガードプレート | GUARD PLATE | |
| 13 | 062300616 | 3 | ナベコ3X6 | SCREW, PAN M3X6 | |
| 14 | 028030246 | 3 | バネザガネ2-3 | WASHER, SPRING 2-3 | |
| 15 | 062060812 | 1 | ナベコ6X8 | SCREW, PAN M6X8 | |
| 16 | 025060136 | 1 | ヒラザガネシヨウ6 | WASHER, PLAIN S 6 | |
| 17 | SA2712001 | 1 | コードオサエ | CORD HOLDER | |
| 18 | 062500816 | 1 | ナベコ5X8 | SCREW, PAN M5X8 | |
| 19 | J80990001 | 1 | モ-タクミCDD-HT | MOTOR ASSY, CDD-HT | |
| 20 | 018501632 | 3 | アナボルト5X16 | BOLT, SOCKET M5X16 | |
| 21 | 028050242 | 3 | バネザガネ2-5 | WASHER, SPRING 2-5 | |
| 22 | J03955001 | 1 | ドラムコテイCDD | DRUM CDD | |
| 23 | 014400632 | 2 | アナクボミ4X6 | SET SCREW, SOCKET (CP) M4X6 | |
| 24 | J03956001 | 1 | ジシヤク180P36 | MAGNET 180P36 | |
| 25 | J03957001 | 1 | MRセンサクミ180P | MR SENSOR ASSY 180P | |
| 26 | 0A4300805 | 2 | +ナベザクミ3X8DA | SCREW, PAN (S/P WASHER) M3X8 | |
| 27 | J03958001 | 1 | シヤヘイイタCDD | SHIELD PLATE CDD | |
| 28 | 0A4261005 | 3 | +ナベザクミ26X10DA | SCREW, PAN (S/P WASHE) M2.6X10 | |
| 29 | 0A4401005 | 1 | +ナベザクミ4X10DA | SCREW, PAN (S/P WASHE) M4X10 | |
| 30 | J80971001 | 1 | CDD-ENCキバンクミ | PCB ASSY, CDD-ENC | |
| 33 | 0A5300606 | 3 | +ナベザクミ3X6DB | SCREW, PAN (S/P WASHER) M3X6 | |
| 34 | J04230001 | 1 | コードオサエCDD-HT | CORD HOLDER, CDD-HT | |
| 35 | 0A4401005 | 2 | +ナベザクミ4X10DA | SCREW, PAN (S/P WASHE) M4X10 | |
| 36 | J04296001 | 1 | エンコ-ダカバ-CDD#2 | ENCODER COVER, CDD #2 | |
| 37 | 0A4300805 | 3 | +ナベザクミ3X8DA | SCREW, PAN (S/P WASHER) M3X8 | |
| 38 | J03964001 | 1 | プ-リトリツケタイクミCDD | PULLEY HOLDER ASSY CDD | |
| 39 | 014500632 | 2 | アナクボミ5X6 | SET SCREW, SOCKET (CP) M5X6 | |
| 40 | SA2354001 | 5 | +ナベセットネジ5X18 | SCREW, PAN M5X18 | |
| 41 | SA3025001 | 3 | ナベザクミ4X10DA | SCREW,PAN(S/P WASHER)M4X10 | |
| 42 | SA2687001 | 1 | コードオサエ | CORD HOLDER | |
| 43 | 062500816 | 1 | ナベコ5X8 | SCREW, PAN M5X8 | |
| 44 | SA5200001 | 1 | トウブケンシユツユユニット | HEAD DETECTOR UNIT | |
| 45 | 062500816 | 2 | ナベコ5X8 | SCREW, PAN M5X8 | |
| 46 | 028050246 | 2 | バネザガネ2-5 | WASHER, SPRING 2-5 | |
| 47 | 026050136 | 2 | ヒラザガネコガタ5 | WASHER, PLAIN S 5 | |
| 48 | BMP2060-0000000-CG40 | | < 中国向 > G40パネル | < For China Only > G-40-PANEL-CHINA | |
| 48 | BMP2060-0000000-0G40 | | < 中国以外向 > G40パネル | < Exept for China > G-40-PANEL | |
| 48 | BMP2060-0000000-EG40 | | < 欧州向 > G40パネル | < For Europe > G-40-PANEL-EU | |
| 49 | J80973001 | 1 | G40パネルキバンクミ | G40 PANEL PCB ASSY | |
| 50 | J80974001 | 1 | G40サブキバンクミ | G40 SUB PCB ASSY | |
| 51 | J03975001 | 1 | G40パネルカザリイタ1 | G40 PANEL SEAT 1 | |
| 52 | J03976001 | 1 | G40パネルカザリイタ2 | G40 PANEL SEAT 2 | |
| 53 | J04195001 | 1 | パネルトリツケイタ#2 | PANEL SETTING PLATE#2 | |
| 54 | J04273001 | 3 | ナベザクミ4X10DB | SCREW, PAN(S/P WASHER)M4X10 | |
| 55 | J03983001 | 3 | ホールICE W-400 | HALL ELEMENT:ICE-400 | |
| 56 | J03984001 | 2 | ホールICE W-450 | HALL ELEMENT:ICE-450 | |

U2 . コントロールボックス関係 / Control box mechanism

| REF.NO | CODE | Q'TY | 品名 | NAME OF PARTS | RM |
|--------|-----------|------|-------------------------------------|---|----|
| 1 | J04393001 | 1 | CDDマエフタGO | FRONT BOX COVER CDD GO | |
| 2 | J04438001 | 1 | キートップCDD-GO | KEY TOP | |
| 3 | J04440001 | 1 | パネルリイタGO | PANEL SHEET CDD GO | |
| 4 | J03733001 | 1 | VツマミLCA | SPEED ADJUST KNOB | |
| 5 | 062400863 | 1 | ナベコ4X8 | SCREW, PAN M4X8 | |
| 6 | 028040245 | 1 | ハネサカネ2-4 | WASHER, SPRING 2-4 | |
| 7 | 025040173 | 1 | ヒラサカネシヨウ4 | WASHER, PLAIN S 4 | |
| 8 | J04097001 | 1 | <AC100 - 110V用> トランスCDD-100V | <For " 100 - 110V AC" > TRANSFORMER, CDD-100V | |
| 8 | J04098001 | 1 | <AC200 - 230V用> トランスCDD-200V | <For " 200 - 230V AC" > TRANSFORMER, CDD-200V | |
| 9 | J03939001 | 1 | <AC380 - 415V用> トランス400V | <For " 380 - 415V AC" > TRANSFORMER, 400V | |
| 10 | J04167001 | 1 | DCファンCDDケミ#2 | DC FAN ASSY, CDD #2 | |
| 11 | J01411001 | 2 | <AC100-200Vトランス用> +ナベサクミ4X50DA | <For Transformer of " 100 - 200V AC" > SCREW, PAN (S/P WASHER) M4X50 | |
| 12 | J00494001 | 2 | +ナベセット4X14DA | SCREW, PAN (S/P WASHER) M4X14 | |
| 13 | J03739001 | 1 | CRコテイタ | SPRING PLATE, CR | |
| 14 | J04099001 | 1 | フットプラグケミCDD | FOOT PLUG ASSY, CDD | |
| 15 | J04100001 | 1 | セメントR40/220ケミ#6 | CEMENT RESISTOR ASSY, 40/220#6 | |
| 16 | J04468001 | 2 | <欧州向用> コアESD-SR-120 | <For Europe> CORE:SD-SR-120 | |
| 17 | J02725001 | 1 | アースインダクタ#2 | EARTH INDUCTOR | |
| 18 | J80967001 | 1 | <前一段, 後一段タイプ> フミユニットCDD-コクホ | <Type forward 1 step, backward 1 step > TREADLE UNIT ASSY, CDD G | |
| 18 | J80968001 | 1 | <前二段, 後二段タイプ> フミユニットCDD-ユホ | <Type forward 2 step, backward 2 step > TREADLE UNIT ASSY, CDD H | |
| 19 | J80970001 | 1 | <欧州向用> CEフィルタキハンクミ | <For Europe> CE FILTER PCB ASSY | |
| 20 | J80964201 | 1 | スキハンCDDケミ#GO | CONTROL PCB ASSY CDD#GO | |
| 21 | J80965001 | 1 | <110V AC用> DキハンCDD1-110Vケミ | <For " 110V AC" > POWER PCB ASSY, CDD 1-110V | |
| 21 | J80966101 | 1 | <220 - 240V AC用> DキハンCDD1-230Vケミ | <For " 220 - 240V AC" > POWER PCB ASSY CDD 1-230V | |
| 22 | J04169001 | 1 | <400V AC用> CDDサーミスタ#2 | <For " 400V AC" > THERMISTOR, CDD #2 | |
| 23 | J04168001 | 1 | <400V AC以外用> ショートコネクタ | <For Others> SHORT CONNECTOR | |
| 24 | J04210001 | 1 | カクネ8X65 ケミ | BOLT ASSY, SQUARE M8X65 | |
| 25 | J04243001 | 1 | アースコードネジタイクミ | EARTH CORD SCREW TIE ASSY | |



V . 電装品関係 / Power supply equipment mechanism

| REF.NO | CODE | Q'TY | 品名 | NAME OF PARTS | RM |
|--------|-----------|------|------------------|--------------------------------|----|
| 1 | J04086001 | 1 | デンSWクミ1-100V#6 | POWER SWITCH ASSY, 1-100V #6 | |
| 3 | J04469001 | 1 | デンSWクミ1-110V#8 | POWER SWITCH ASSY, 1-110V #8 | |
| 5 | J04093001 | 1 | デンSWクミ1-240V#6 | POWER SWITCH ASSY, 1-240V #6 | |
| 6 | J04134001 | 1 | デンPGクミ1-240V#6 | POWER PLUG ASSY, 1-240V #6 | |
| 7 | J04096001 | 1 | デンSWクミ3-400V#6 | POWER SWITCH ASSY, 3-400V #6 | |
| 8 | J04149001 | 1 | デンSWクミ3-200V#6 | POWER SWITCH ASSY, 3-200V #6 | |
| 10 | J04470001 | 1 | デンSWクミ3-240V#8 | POWER SWITCH ASSY, 3-240V #8 | |
| 11 | J04251001 | 1 | デンSWクミ1-240V#CCC | POWER SWITCH ASSY, 1-240V #CCC | |
| 12 | J04255001 | 1 | デンSWクミ3-400V#CCC | POWER SWITCH ASSY, 3-400V #CCC | |

T-8452A-515

* 上記の部品は、仕様別部品表で確認後注文して下さい。

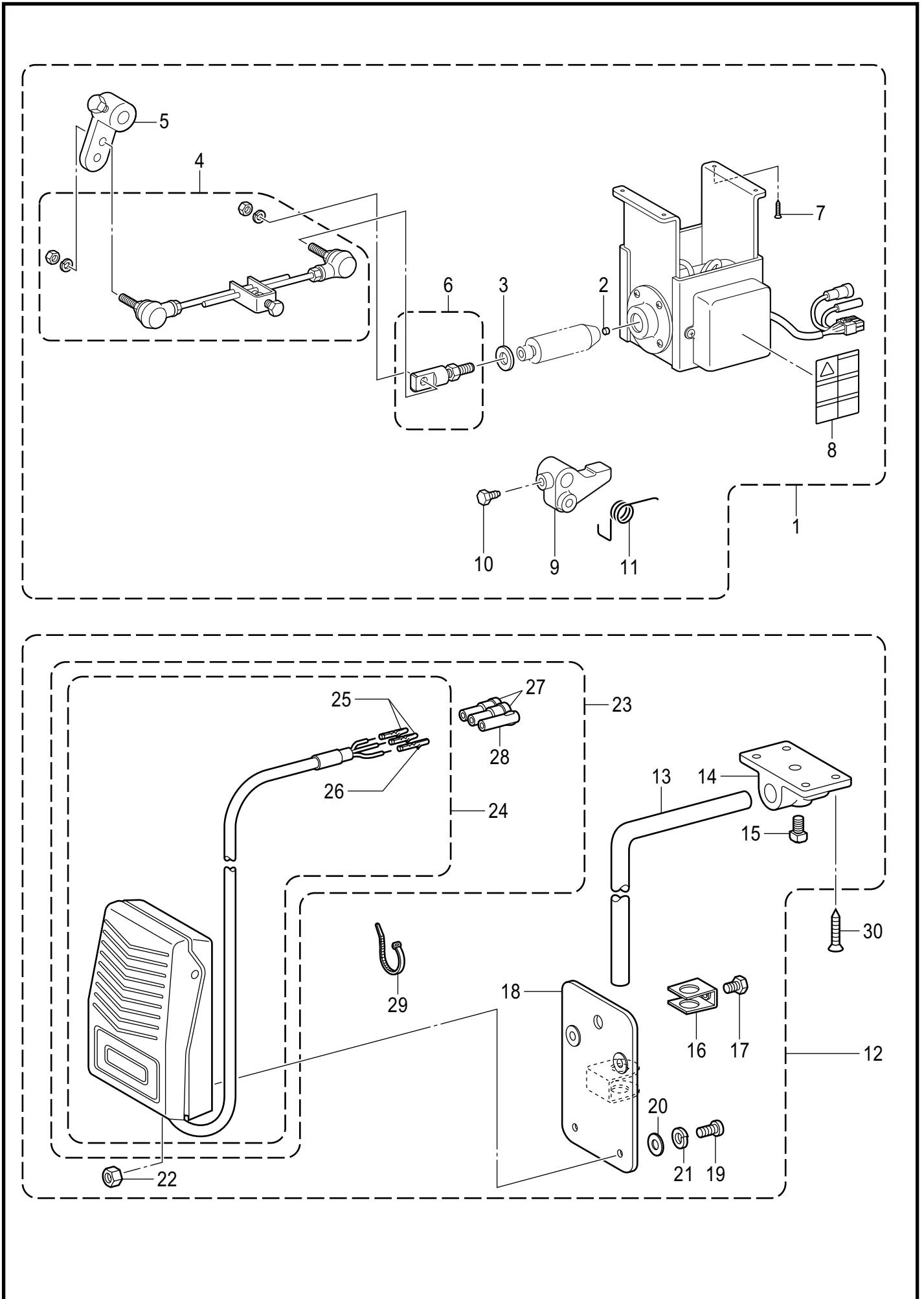
* Check the replacement parts product number in the Different parts list before ordering the above parts.

Sp1 . 仕様別部品一覧表 (電装品関係) / Different parts list (Power supply equipment mechanism)

| REF. | 単相 / Single phase | | | | 三相 / Three phase | | |
|------|----------------------------|-----------------------------------|---|--|----------------------------|-----------------------------------|---|
| | 100V AC | 110V AC | 220V AC | 230V AC CE | 200V AC | 220V AC | 380V AC |
| V-1 | J04086001 < For Japan > | | | | | | |
| V-3 | | J04469001 < For USA & Mexico > | | | | | |
| V-5 | | | J04093001 <For General of Asia & North africa> | | | | |
| V-6 | | | | J04134001 Power SW-less < For Europe > | | | |
| V-7 | | | | | | | J04096001 < For General of Asia & North africa > |
| V-8 | | | | | J04149001 < For Japan > | | |
| V-10 | | | | | | J04470001 < For USA & Mexico > | |
| V-11 | | | J04251001 < For China > | | | | |
| V-12 | | | | | | | J04255001 < For China > |

T-8452A-Sp1

W . 電磁押え上げセット関係 (オプション部品) / Presser foot lifting solenoid set (Option parts)



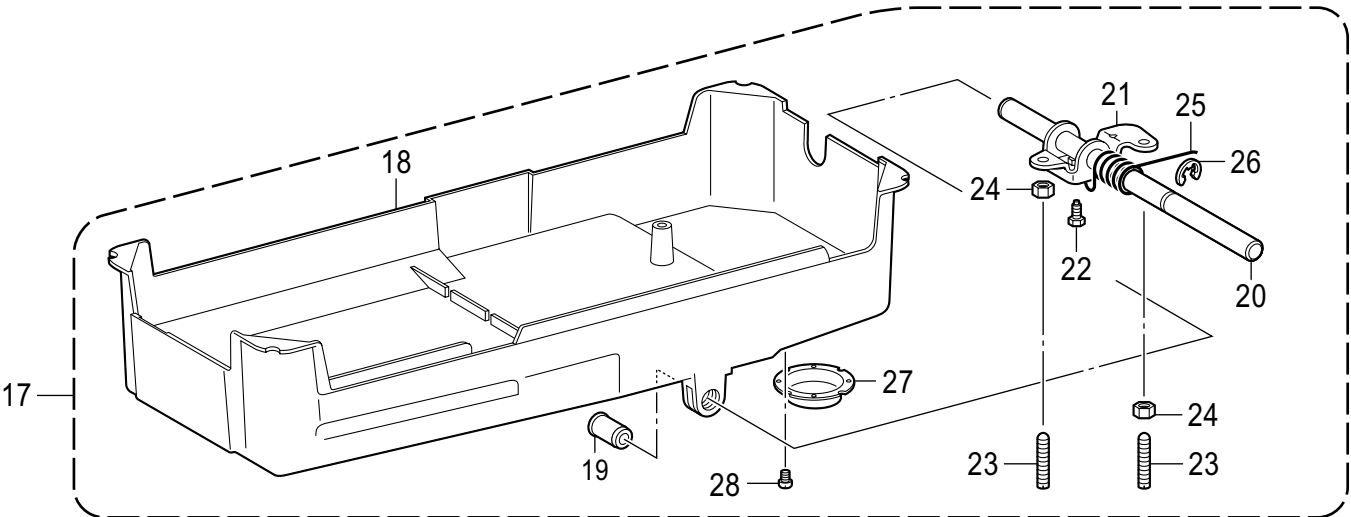
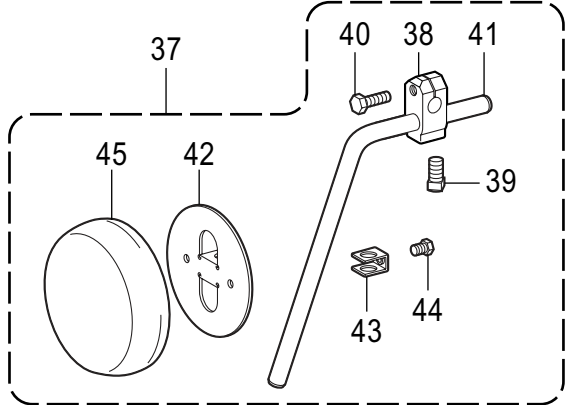
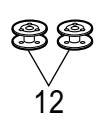
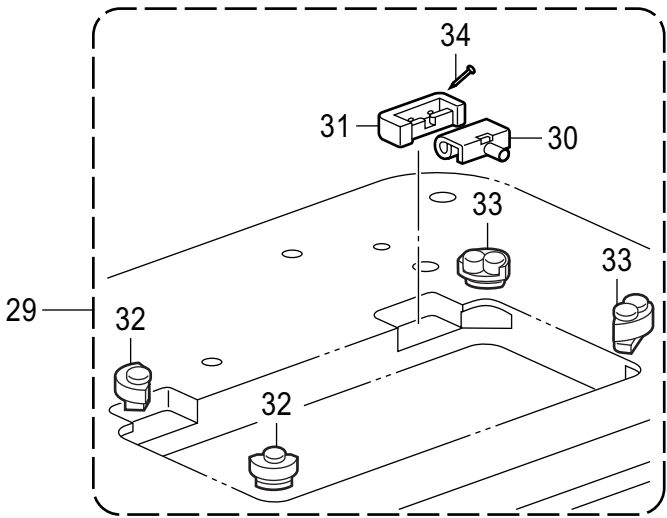
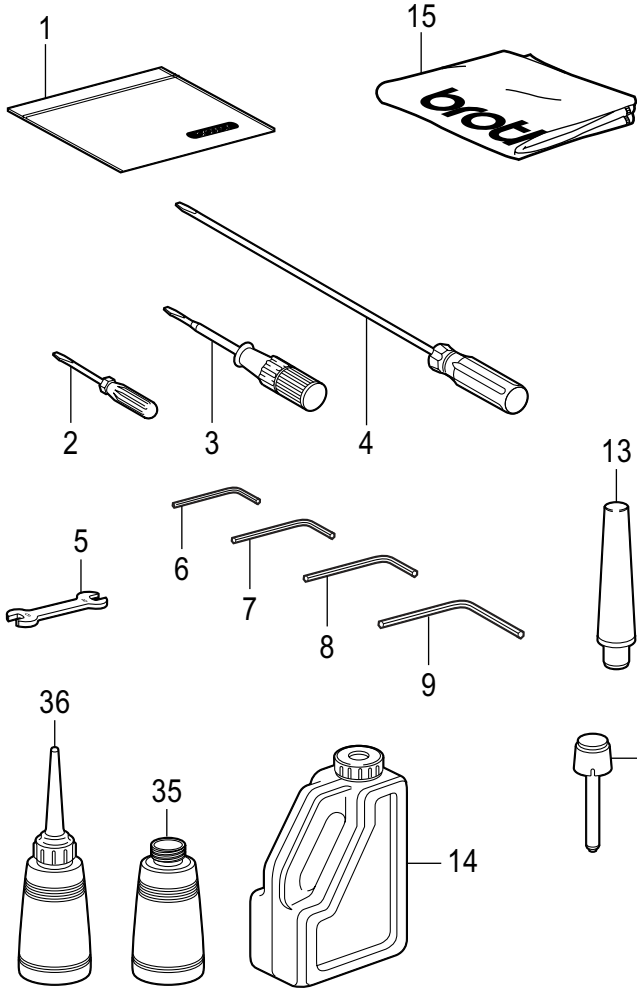
W . 電磁押え上げセット関係(オプション部品)/ Presser foot lifting solenoid set (Option parts)

| REF.NO | CODE | Q'TY | 品名 | NAME OF PARTS | RM |
|--------|-----------|------|---------------|--------------------------------|----|
| 1 | SA2707001 | 1 | デンジオサエアゲセットD2 | P-FOOT LIFTER SOLENOID SET, D2 | |
| 2 | S54025001 | 1 | クッション | CUSHION | |
| 3 | S54024001 | 1 | クッションリング | CUSHION RING | |
| 4 | S42198051 | 1 | オサエアゲロッドクミ | PRESSER FOOT LIFTER ROD ASSY | |
| 5 | S42199051 | 1 | オサエアゲレバークミ | P-FOOT LIFTER LEVER ASSY | |
| 6 | S41955051 | 1 | ロッドツギテクミ | ROD JOINT ASSY | |
| 7 | S42200051 | 4 | モクネジ | WOOD SCREW | |
| 8 | S38351001 | 1 | コウオンラベル | LABEL, HIGH TEMP | |
| 9 | S10550001 | 1 | オサエアゲリンク | PRESSER BAR LIFTER LINK | |
| 10 | 146367001 | 1 | ボルト5.95 | BOLT, SM5.95 | |
| 11 | S07729001 | 1 | ネジリバネ | SPRING, TWIST | |
| 12 | S07045009 | 1 | ヒザスイツチクミ | KNEE LIFTER SWITCH ASSY | |
| 13 | 142026003 | 1 | ヒザスイツチタテジク | KNEE SWITCH SHAFT | |
| 14 | 142027001 | 1 | ヒザスイツチタテジクウケ | BRACKET | |
| 15 | 100463001 | 1 | 4カクボルト7.94 | BOLT, SQUARE SM7.94 | |
| 16 | 114967001 | 1 | ヒザアテストツパ | KNEE LIFTER PLATE STOPPER | |
| 17 | 110087001 | 1 | ボルト5.95 | BOLT, SM5.95-28X8 | |
| 18 | S07027001 | 1 | ヒザスイツチトリツケイタ | K-LIFTER SWITCH SETTING PLATE | |
| 19 | 062401006 | 4 | ナベコ4X10 | SCREW, PAN M4X10 | |
| 20 | 025040233 | 4 | ヒラザガネチユウ4 | WASHER, PLAIN M 4 | |
| 21 | 028040243 | 4 | バネザガネ2-4 | WASHER, SPRING 2-4 | |
| 22 | 021400164 | 4 | 1シユナツト4 | NUT, 1 M4 | |
| 23 | S07030009 | 1 | スイッチコードクミ | SWITCH & HARNESS ASSY | |
| 24 | S07031009 | 1 | フットスイッチクミ | FOOT SWITCH ASSY | |
| 25 | 143549000 | 2 | ピンターミナルオス | TERMINAL PIN, MALE | |
| 26 | 143548000 | 1 | ピンターミナルメス | TERMINAL PIN, FEMALE | |
| 27 | 146046000 | 2 | ナイロンコネクタ | NYLON CONNECTOR | |
| 28 | 146194000 | 1 | ナイロンコネクタ | NYLON CONNECTOR | |
| 29 | 149799000 | 1 | タイラツプS | BEAD BAND, S | |
| 30 | 034422503 | 1 | +2サラモク41X25 | WOOD SCREW, FLAT 2 M4.1X25 | |

Z1 . 付属品関係 / Accessories

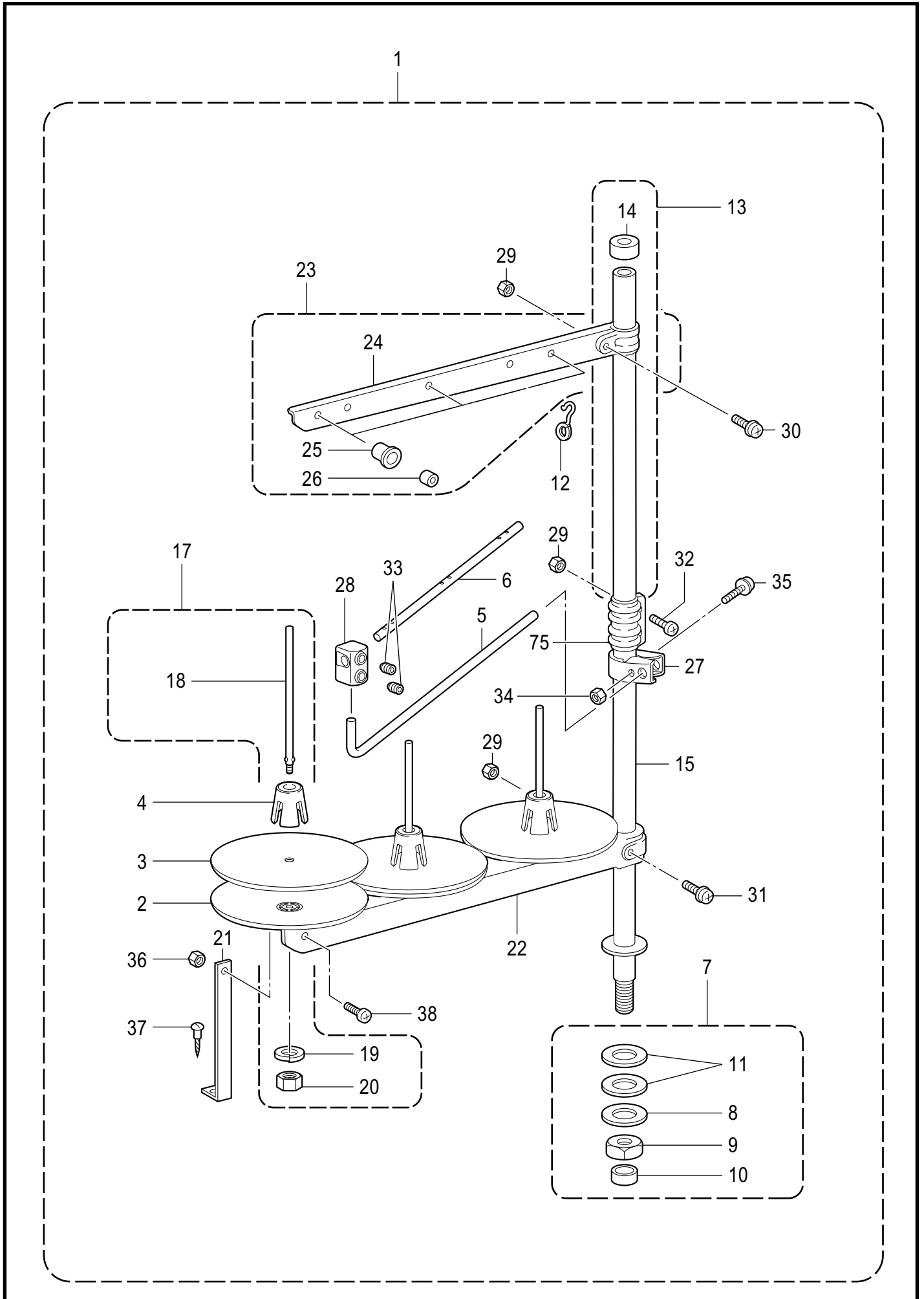
11: -□□3用 / For "-□□3"
 -□□5用 / For "-□□5"

10: -□□3用 / For "-□□3"
 -□□5用 / For "-□□5"



Z1 . 付属品関係 / Accessories





| REF.NO | CODE | Q'TY | 品名 | NAME OF PARTS | RM |
|--------|-----------|------|----------------|----------------------------|----|
| 1 | 122991001 | 1 | フゾクヒンポリフクロ | ACCESSORY BAG | |
| 2 | 142443001 | 1 | ネジマワシ1.9X52 | SCREW-DRIVER, 1.9X52 | |
| 3 | 118837001 | 1 | ネジマワシ3.4X70 | SCREW-DRIVER, 3.4X70 | |
| 4 | S17774001 | 1 | ネジマワシ4.7X250 | SCREW-DRIVER, 4.7X250 | |
| 5 | 100887001 | 1 | スパナ8X9 | WRENCH, 8X9 | |
| 6 | 142002001 | 1 | 6カクボウスパナ2 | HEXAGONAL WRENCH, 2 | |
| 7 | 154125001 | 1 | 6カクボウスパナ2.5 | HEXAGONAL WRENCH, 2.5 | |
| 8 | 142721001 | 1 | 6カクボウスパナ3 | HEXAGONAL WRENCH, 3 | |
| 9 | 149570001 | 1 | 6カクボウスパナ5 | HEXAGONAL WRENCH, 5 | |
| | | | <-□□3用> | <For"-□□3"> | |
| 10 | SA1752014 | 1 | 107415ハリ4コイリクミ | NEEDLE 4PIECE ASSY, 107415 | |
| 11 | 107415014 | 4 | ミシンハリDPX5 | NEEDLE, DPX5 | |
| | | | <-□□5用> | <For"-□□5"> | |
| 10 | SA1752022 | 1 | 107415ハリ4コイリクミ | NEEDLE 4PIECE ASSY, 107415 | |
| 11 | 107415022 | 4 | ミシンハリDPX5 | NEEDLE, DPX5 | |
| 12 | S01928151 | 2 | ボビン | BOBBIN | |
| 13 | 100477009 | 1 | マクラ | HEAD REST | |
| 14 | S55663001 | 1 | オイルタンククミ | OIL TANK ASSY | |
| 15 | 144226001 | 1 | トウブカバー | HEAD COVER | |
| 16 | 145573000 | 1 | ヒザアゲオシボウ | KNEE LIFTER COMPLYING BAR | |
| 17 | SA2691101 | 1 | アブラウケクミ | OIL PAN ASSY | |
| 18 | SA2692101 | 1 | アブラウケ | OIL PAN | |
| 19 | 149578000 | 2 | ヨコジクブツシュ | BUSH | |
| 20 | SA2582001 | 1 | ヒザアゲヨコジク | KNEE LIFTER SHAFT | |
| 21 | SA2590001 | 1 | ヒザアゲ | KNEE LIFTER | |
| 22 | S25344001 | 1 | ボルト6 | BOLT, M6 | |
| 23 | S25475001 | 2 | トメネジ6 | SET SCREW, M6X19 | |
| 24 | 021060306 | 2 | 3シユナツト6 | NUT, 3 M6 | |
| 25 | S15889001 | 1 | ヒザアゲネジリバネ | TWIST SPRING | |
| 26 | 146293001 | 1 | トメワE10 | RETAINING RING, E10 | |
| 27 | 153230101 | 1 | オイルニガシグチ | DRAIN | |
| 28 | S23418002 | 2 | シメネジ4X5 | SCREW, M4X5 | |
| 29 | SA1969001 | 1 | ラバ-ヒンジクミ | RUBBER HINGE ASSY | |
| 30 | 143882001 | 2 | トウブヒンジ | HEAD HINGE | |
| 31 | 143910009 | 2 | トウブヒンジウケゴム | RUBBER CUSHION | |
| 32 | SA1962001 | 2 | トウブシキゴム | HEAD CUSHION | |
| 33 | SA1963001 | 2 | トウブシキゴム | HEAD CUSHION | |
| 34 | 109714000 | 4 | クギ | NAIL | |
| 35 | 114486002 | 1 | ポリオイラータイ | OILER | |
| 36 | 114483002 | 1 | ポリオイラークミ | OILER ASSY | |
| 37 | S38300001 | 1 | ヒザアテクミ | KNEE LIFTER ASSY | |
| 38 | 146039001 | 1 | ヒザアテツギテ | KNEE LIFTER BRACKET | |
| 39 | 100463001 | 1 | 4カクボルト7.94 | BOLT, SQUARE SM7.94 | |
| 40 | 017762013 | 1 | ボルト5.95-28X20 | BOLT, SM5.95-28X20 | |
| 41 | S38278001 | 1 | ヒザアゲタテジク | KNEE LIFTER BAR | |
| 42 | S34756001 | 1 | ヒザアテ | KNEE LIFTER PLATE | |
| 43 | 114967001 | 1 | ヒザアテストップ | KNEE LIFTER PLATE STOPPER | |
| 44 | 110087001 | 1 | ボルト5.95 | BOLT, SM5.95-28X8 | |
| 45 | S31885001 | 1 | ヒザアテカバー | KNEE LIFTER PLATE COVER | |



Z2 . 付属品関係 / Accessories

| REF.NO | CODE | Q'TY | 品名 | NAME OF PARTS | RM |
|--------|-----------|------|----------------|-------------------------------|----|
| 1 | S07558309 | 1 | イトタテダイクミ3DRTHF | COTTON STAND ASSY, 3DRTHF | |
| 2 | S51283001 | 3 | ウケザラ | SPOOL STAND BASE | |
| 3 | 150182000 | 3 | スプールマット | SPOOL MAT | |
| 4 | S51282101 | 3 | スプールクッション | SPOOL CUSHION | |
| 5 | S04109001 | 1 | イトアンナイササエボウ | THREAD GUIDE SUPPORT BAR | |
| 6 | 142997001 | 1 | イトアンナイ3 | THREAD GUIDE, 3 | |
| 7 | SA2867001 | 1 | パイプDネジセットB | PIPE D SCREW SET, B | |
| 8 | 150206002 | 1 | ヒラザガネ16 | WASHER, PLAIN 16 | |
| 9 | S38648001 | 1 | 6カクナツU5/8 | NUT, U5/8-28 | |
| 10 | 150174000 | 1 | コラムキャップ | COLUMN CAP | |
| 11 | S01005000 | 2 | イトタテゴム | RUBBER WASHER | |
| 12 | S02747101 | 1 | イトカケバネ | SPRING | |
| 13 | S40639001 | 1 | コラムパイプキャップツキ | COLUMN PIPE W/CAP | |
| 14 | 150174000 | 1 | コラムキャップ | COLUMN CAP | |
| 15 | 156112003 | 1 | コラムパイプD | COLUMN PIPE, D | |
| 16 | 150173003 | 1 | コラムジョイント | COLUMN JOINT | |
| 17 | S21798001 | 3 | スプールネジセット | SPOOL & SCREW SET | |
| 18 | 150179002 | 3 | スプールジクB | SPOOL SHAFT, B | |
| 19 | 028050246 | 3 | バネザガネ2-5 | WASHER, SPRING 2-5 | |
| 20 | 021500106 | 3 | 1シュナツ5 | NUT, 1 M5 | |
| 21 | 150188009 | 1 | スプールホルダ-ササエA | SPOOL HOLDER SUPPORT, A | |
| 22 | S02779009 | 1 | スプールホルダ-3 | SPOOL HOLDER, 3 | |
| 23 | S02788009 | 1 | スレツドハンガ-クミ3 | THREAD HANGER ASSY, 3 | |
| 24 | S02789009 | 1 | スレツドハンガ-3 | THREAD HANGER, 3 | |
| 25 | 150183000 | 3 | イトカケハンガ-ダイ | THREAD HANGER BASE | |
| 26 | 142990001 | 3 | スレツドブツシュ | THREAD BUSH | |
| 27 | 150185009 | 1 | イトアンナイホルダ- | THREAD GUIDE HOLDER | |
| 28 | 138843001 | 1 | ササエボウツギテ | JOINT | |
| 29 | 021500106 | 4 | 1シュナツ5 | NUT, 1 M5 | |
| 30 | S37038001 | 1 | ナベコヒラザ5X14 | SCREW, PAN(S/P WASHER) M5X14 | |
| 31 | S37037001 | 1 | ナベコヒラザ5X32 | SCREW, PAN (S/P WASHER) M5X32 | |
| 32 | 062501406 | 2 | ナベコ5X14 | SCREW, PAN M5X14 | |
| 33 | 014060632 | 2 | アナクボミ6X6 | SET SCREW, SOCKET (CP) M6X6 | |
| 34 | 021500106 | 1 | 1シュナツ5 | NUT, 1 M5 | |
| 35 | S37037001 | 1 | ナベコヒラザ5X32 | SCREW, PAN (S/P WASHER) M5X32 | |
| 36 | 021500106 | 1 | 1シュナツ5 | NUT, 1 M5 | |
| 37 | 031452206 | 1 | マルモク45X22 | WOOD SCREW, ROUND M4.5X22 | |
| 38 | 062501006 | 1 | ナベコ5X10 | SCREW, PAN M5X10 | |

Wa. 警告ラベル / Warning labels

| 警告ラベル / Warning labels | 品名 / Name of parts | Size(mm) | Code |
|---|---|-----------------|-------------------|
|  | <p>ラベル感電6ヶ国 Label, elec. shock 6 lang</p> | <p>50 X 118</p> | <p>J04115-001</p> |
|  | <p>ラベル注意・和英 Label, caution Jpn / Eng</p> | <p>64 X 40</p> | <p>SA2040-001</p> |
|  | <p>ラベル注意・中英 Label, caution Chn / Eng</p> | <p>64 X 40</p> | <p>SA2041-001</p> |
|  | <p>アースマーク Label, grounding</p> | <p>φ 12</p> | <p>S37060-001</p> |
|  | <p>高温ラベル Label, high temp</p> | <p>72 X 59</p> | <p>S38351-001</p> |

T-8452A-Wa

Sp.仕様別部品一覧表 / Different parts list

■ かま / Rotary hooks

かまは下記のオプションパーツを用意しています。用途に合わせてご使用ください。

(部品コードは、かまが箱に入ったクミコードです)

The following type of rotary hook are available. Select whichever one is suitable for your application.

(The following parts codes are assigned for the rotary hooks in the boxes.)

● 標準 / Normal

| | 全仕様 / For all type |
|----------------------------------|-----------------------|
| かま箱組 / Rotary hook assy | SA1683-111 |
| 内かま押え / Inner rotary hook holder | S07748-001 |
| 調子バネ / Tension spring | 151043-001 |

Ga 1 . ゲージ部品一覧表 / Gauge parts list

標準品 / For normal

- * 最大針幅 5/8"(15.9mm)まで出来ます。
- * 糸切り用固定刃(S07527-001)と取付ネジ(148539-101)は、針板には付けてありませんので、必要に応じて別途ご注文して下さい。
- * 3/32 インチのゲージを使用する場合は、DBX1(#7~#18)の針を使用して下さい。
- * A maximum stitch width specification of 5/8"(15.9mm) is available.
- * The thread trimming fixed knife (part no. S07527-001) and the installation screw (part no. 148539-101) are not provided with the needle plate, so they must be ordered separately if required.
- * In case of using the gauge set (3/32"), use needle size DBX1(#7~#18).

| 針幅 Needle gauge (inch) (mm) | 針抱きセット Needle clamp set | 針抱き組 Needle clamp assy | 針板 Needle plate | 送り歯 Feed dog | | 押え組 Presser foot assy | |
|-----------------------------------|------------------------------|------------------------------|---|-----------------------------------|---------------------------------|-----------------------------------|---------------------------------|
| | | | 中厚物、厚物用 (-3, -5) For medium & heavy materials | 中厚物用 (-3) For medium materials | 厚物用 (-5) For heavy materials | 中厚物用 (-3) For medium materials | 厚物用 (-5) For heavy materials |
| *3/32 (2.4) | L:S15705-001 R:S15706-001 | L:S15707-001 R:S15708-001 | 159398-001 | | 148697-001 | | 148679-001 |
| 1/8 (3.2) | L:S15711-001 R:S15712-001 | L:S15713-001 R:S15714-001 | 155722-001 | 148698-001 | 148699-001 | S36550-001 | S36522-001 |
| 5/32 (4.0) | L:S15717-001 R:S15718-001 | L:S15719-001 R:S15720-001 | 155724-001 | 148700-001 | 148701-001 | 148689-001 | 148683-001 |
| 3/16 (4.8) | L:S15723-001 R:S15724-001 | L:S15725-001 R:S15726-001 | 155851-001 | 148702-001 | 148703-001 | S36554-001 | S36556-001 |
| 7/32 (5.6) | L:S15729-001 R:S15730-001 | L:S15731-001 R:S15732-001 | 156816-001 | 156818-001 | | 156819-001 | |
| 1/4 (6.4) | L:S15735-001 R:S15736-001 | L:S15737-001 R:S15738-001 | 155853-001 | 148704-001 | 148705-001 | SA4051-001 | SA4050-001 |
| 9/32 (7.1) | L:S15741-001 R:S15742-001 | L:S15743-001 R:S15744-001 | S14530-001 | S14532-001 | S14533-001 | S14534-001 | S14536-001 |
| 5/16 (7.9) | L:S15747-001 R:S15748-001 | L:S15749-001 R:S15750-001 | 155855-001 | 149692-001 | 149691-001 | 149689-001 | 149687-001 |
| 3/8 (9.5) | L:S15753-001 R:S15754-001 | L:S15755-001 R:S15756-001 | 155857-001 | 149939-001 | 149938-001 | 149942-001 | 149940-001 |
| 7/16 (11.1) | L:S15759-001 R:S15760-001 | L:S15761-001 R:S15762-001 | S01644-001 | S01646-001 | | S01641-101 | |
| 1/2 (12.7) | L:S15765-001 R:S15766-001 | L:S15767-001 R:S15768-001 | 149677-001 | 149676-001 | 149675-001 | 149673-101 | 149671-101 |
| 5/8 (15.9) | L:S15771-001 R:S15772-001 | L:S15773-001 R:S15774-001 | 149954-001 | 149949-001 | 149948-001 | 149952-101 | 149950-101 |

空縫い用 / For sewing without material

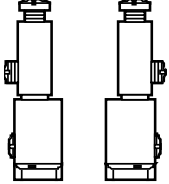
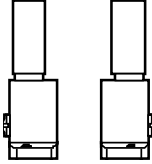
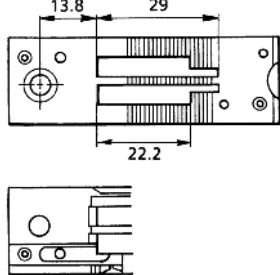
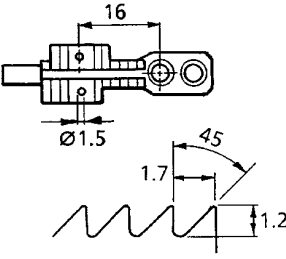
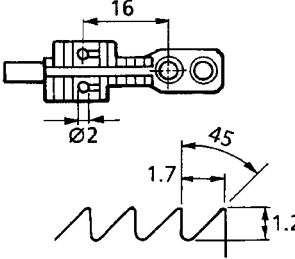
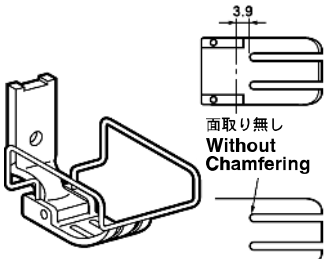
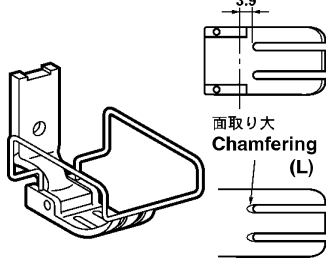
- * 針板と送り歯と押え組が標準品と異なります。**最大送りピッチは4mm以下でご使用下さい。**
- * Needle plate, the feed dog and presser foot assembly is different from normal parts.
- * **Use gauge components of for sewing without material which have a maximum feed pitch of 4mm or less.**

| 針幅 Needle gauge (inch) (mm) | 針抱きセット Needle clamp set | 針抱き組 Needle clamp assy | 針板 Needle plate | 送り歯 Feed dog | 押え組 Presser foot assy |
|-----------------------------------|----------------------------|---------------------------|--------------------|-----------------|--------------------------|
| 3/16 (4.8) | 標準品 / Normal | 標準品 / Normal | S20901-001 | S20905-001 | S20903-001 |
| 1/4 (6.4) | | | S10507-001 | S10509-101 | S10510-001 |

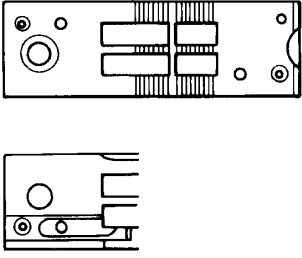
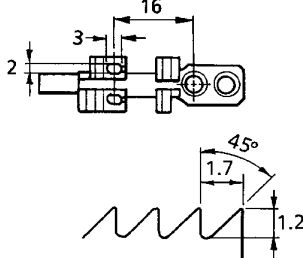
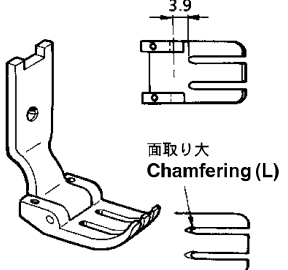
Ga 1 . ゲージ部品一覧表 / Gauge parts list

T-8452A (糸切り用 / For with Thread trimmer)

標準品 / For Normal

| | | | |
|--|--|---|--|
| <p>針抱きセット Needle clamp set</p> | <p>針抱き組 Needle clamp assy</p> | <p>針板 Needle plate 中厚、厚物用(-3, -5) Medium & heavy materials</p> | |
|  |  |  | |
| <p>送り歯 Feed dog</p> | | <p>押え組 Presser foot assy</p> | |
| <p>中厚物用(-3) For medium materials</p> | <p>厚物用(-5) For heavy materials</p> | <p>中厚物用(-3) For medium materials</p> | <p>厚物用(-5) For heavy materials</p> |
|  |  |  |  |

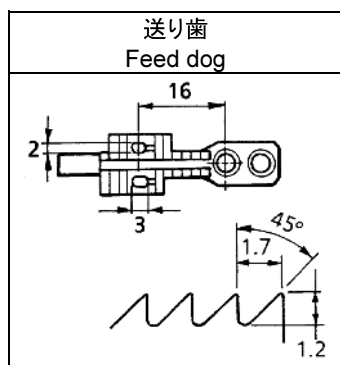
空縫い用 / For sewing without material

| | | |
|---|---|--|
| <p>針板 Needle plate</p> | <p>送り歯 Feed dog</p> | <p>押え組 Presser foot assy</p> |
|  |  |  |

Ga 1 . ゲージ部品一覧表 / Gauge parts list

T-8452A (糸切り用 / For Thread trimmer)

厚物用 / For heavy materials



* 送り歯が標準品と異なります。

* The feed dog is different from normal parts.

| 針幅 Needle gauge (inch) (mm) | 針抱きセット Needle clamp set | 針抱き組 Needle clamp assy | 針板 Needle plate | 送り歯 Feed dog | 押え組 Presser foot assy |
|-----------------------------------|----------------------------|---------------------------|--------------------|-----------------|--------------------------|
| 3/16 (4.8) | 標準品 / Normal | 標準品 / Normal | 標準品 / Normal | S07905-001 | 標準品(-5) / Normal(-5) |
| 1/4 (6.4) | | | | 158756-001 | |

Ga 1. ゲージ部品一覧表 / Gauge parts list

T-8452A (糸切り用 / For with Thread Trimmer)

下送り用 / For Drop Feed

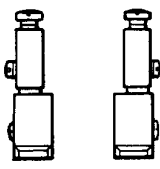
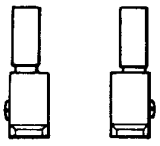
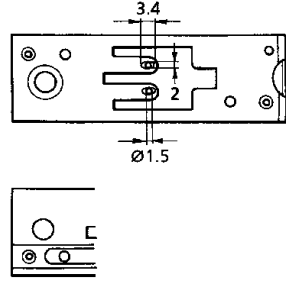
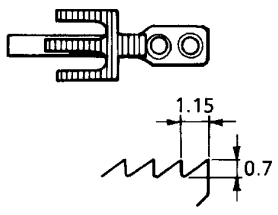
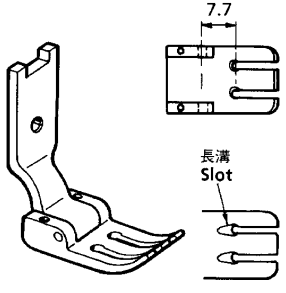
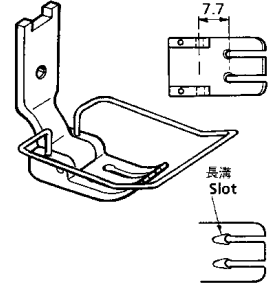
* 糸切り用固定刃 (S07527-001)と取付ネジ (148539-101)は、針板には付けてありませんので、必要に応じて別途ご注文して下さい。

* 最大針幅 5/8"(15.9mm)まで出来ます。

* The thread trimming fixed knife (part no. S07527-001) and the installation screw (part no. 148539-101) are not provided with the needle plate, so they must be ordered separately if required.

* A maximum stitch width specification of 5/8"(15.9mm) is available.

| 針幅 Needle gauge (inch) (mm) | 針抱きセット Needle clamp set | 針抱き組 Needle clamp assy | 針板 Needle plate | 送り歯 Feed dog | 押え組 Presser foot assy |
|-----------------------------------|------------------------------|------------------------------|--------------------|-----------------|--------------------------|
| 1/8 (3.2) | L:S15711-001 R:S15712-001 | L:S15713-001 R:S15714-001 | S07401-001 | S07409-001 | S38544-001 |
| 3/16 (4.8) | L:S15723-001 R:S15724-001 | L:S15725-001 R:S15726-001 | S07403-001 | S07410-001 | S38542-001 |
| 1/4 (6.4) | L:S15735-001 R:S15736-001 | L:S15737-001 R:S15738-001 | S07405-101 | S07411-001 | S38543-001 |
| 5/16 (7.9) | L:S15747-001 R:S15748-001 | L:S15749-001 R:S15750-001 | S07676-001 | S07680-001 | S37682-001 |
| 3/8 (9.5) | L:S15753-001 R:S15754-001 | L:S15755-001 R:S15756-001 | S13621-001 | S13623-101 | S13624-001 |
| 1/2 (12.7) | L:S15765-001 R:S15766-001 | L:S15767-001 R:S15768-001 | S07678-001 | S07681-001 | S07684-101 |

| 針抱きセット Needle clamp set | 針抱き組 Needle clamp assy | 針板 Needle plate |
|---|---|--|
|  |  |  |
| 送り歯 Feed dog | 押え組 Presser foot assy | 押え組 Presser foot assy |
|  |  |  |

索引 / INDEX

| CODE | REF.NO | Page | CODE | REF.NO | Page | CODE | REF.NO | Page | CODE | REF.NO | Page |
|-----------|--------|------|-----------|--------|------|-----------|--------|------|-----------|--------|------|
| 012060636 | C -55 | 8 | 025060136 | U1 -16 | 40 | 062400616 | K1 -27 | 22 | 0A4261005 | U1 -28 | 40 |
| | F -32 | 14 | 025060236 | P -69 | 30 | | K1 -29 | 22 | 0A4300805 | U1 -26 | 40 |
| | G -15 | 16 | 025100132 | F -36 | 14 | | K1 -32 | 22 | | U1 -37 | 40 |
| | J -7 | 18 | 025710132 | K1 -11 | 20 | | P -64 | 30 | 0A4400806 | P -46 | 28 |
| | J -26 | 18 | 026040236 | U1 -8 | 40 | | T -10 | 38 | 0A4401005 | U1 -29 | 40 |
| | Q -42 | 32 | 026050136 | U1 -47 | 40 | | U1 -6 | 40 | | U1 -35 | 40 |
| | S -25 | 36 | 028030246 | U1 -14 | 40 | 062400812 | K1 -35 | 20 | 0A5300606 | U1 -33 | 40 |
| 012061036 | B -25 | 4 | 028040242 | B -22 | 4 | | K1 -35 | 22 | 0A5501006 | P -24 | 28 |
| 012061832 | E -17 | 12 | 028040243 | W -21 | 46 | 062400863 | U2 -5 | 42 | 100032004 | L -8 | 24 |
| 012500536 | E -25 | 12 | 028040245 | U2 -6 | 42 | 062401006 | W -19 | 46 | 100328001 | F -25 | 14 |
| | K1 -15 | 20 | 028050242 | U1 -21 | 40 | 062401216 | R -17 | 34 | 100401021 | R -30 | 34 |
| | K1 -15 | 22 | 028050246 | U1 -46 | 40 | | U1 -7 | 40 | 100463001 | W -15 | 46 |
| | Q -31 | 32 | | Z2 -19 | 50 | 062401616 | P -54 | 28 | | Z1 -39 | 48 |
| | R -8 | 34 | 031452206 | Z2 -37 | 50 | 062403512 | B -21 | 4 | 100477009 | Z1 -13 | 48 |
| | R -13 | 34 | 034422503 | W -30 | 46 | 062500616 | A -12 | 2 | 100887001 | Z1 -5 | 48 |
| | R -33 | 34 | 047301842 | D -11 | 10 | | H -9 | 16 | 104449001 | A -4 | 2 |
| | S -5 | 36 | 048030342 | E -15 | 12 | | H -11 | 16 | 104450101 | P -19 | 28 |
| | T -21 | 38 | | E -39 | 12 | | H -13 | 16 | | P -45 | 28 |
| 013660412 | L -3 | 24 | 048040342 | R -2 | 34 | | P -57 | 28 | | P -61 | 28 |
| 014060632 | Z2 -33 | 50 | | R -14 | 34 | | R -27 | 34 | 104821001 | F -43 | 14 |
| 014080831 | C -43 | 8 | 048060142 | G -9 | 16 | 062500812 | G -6 | 16 | 104833001 | D -2 | 10 |
| 014400432 | D -30 | 10 | 048060342 | F -18 | 14 | 062500816 | A -25 | 2 | 107155001 | C -39 | 6 |
| 014400632 | U1 -23 | 40 | 048070342 | S -29 | 36 | | B -27 | 4 | 107415014 | Z1 -11 | 48 |
| | U1 -39 | 40 | 048080342 | F -35 | 14 | | B -32 | 4 | 107415022 | Z1 -11 | 48 |
| 016061031 | F -29 | 14 | 048090342 | T -3 | 38 | | D -16 | 10 | 108549001 | F -23 | 14 |
| | G -13 | 16 | 060300606 | H -8 | 16 | | D -25 | 10 | 108801001 | P -59 | 28 |
| 017500812 | S -44 | 36 | 060350616 | C -27 | 6 | | E -2 | 12 | 108802001 | J -5 | 18 |
| 017762013 | Z1 -40 | 48 | | C -30 | 6 | | F -44 | 14 | | P -58 | 28 |
| 018062032 | C -50 | 8 | 060400516 | T -13 | 38 | | N -3 | 26 | 109714000 | Z1 -34 | 48 |
| | C -60 | 8 | 061350616 | Q -19 | 32 | | P -8 | 28 | 110087001 | W -17 | 46 |
| | F -15 | 14 | | Q -37 | 32 | | Q -40 | 32 | | Z1 -44 | 48 |
| | G -17 | 16 | 062020806 | U1 -4 | 40 | | S -53 | 36 | 110161004 | N -1 | 26 |
| 018062532 | C -57 | 8 | 062060812 | U1 -15 | 40 | | T -23 | 38 | 112609001 | C -14 | 6 |
| 018401036 | C -4 | 6 | 062060816 | F -7 | 14 | | U1 -18 | 40 | 112728001 | C -33 | 6 |
| 018501632 | U1 -20 | 40 | | F -50 | 14 | | U1 -43 | 40 | 112753001 | P -67 | 30 |
| 021060306 | E -18 | 12 | | N -5 | 26 | | U1 -45 | 40 | 113014000 | B -7 | 4 |
| | E -35 | 12 | | P -49 | 28 | 062501006 | Z2 -38 | 50 | 113050001 | L -10 | 24 |
| | S -39 | 36 | | S -12 | 36 | 062501016 | A -10 | 2 | 114483002 | Z1 -36 | 48 |
| | Z1 -24 | 48 | 062061012 | S -10 | 36 | | D -4 | 10 | 114486002 | Z1 -35 | 48 |
| 021300106 | Q -11 | 32 | 062061016 | G -7 | 16 | | F -3 | 14 | 114967001 | W -16 | 46 |
| 021350106 | J -15 | 18 | | K1 -60 | 22 | | P -17 | 28 | | Z1 -43 | 48 |
| | S -22 | 36 | | P -68 | 30 | | S -8 | 36 | 115947001 | K1 -54 | 22 |
| 021400106 | U1 -10 | 40 | 062061616 | C -48 | 8 | | S -18 | 36 | 116010001 | A -21 | 2 |
| 021400164 | W -22 | 46 | | S -30 | 36 | | T -14 | 38 | 117006001 | B -6 | 4 |
| 021500106 | E -28 | 12 | 062260316 | C -16 | 6 | | T -28 | 38 | 118735002 | C -51 | 8 |
| | F -52 | 14 | 062260516 | C -20 | 6 | 062501212 | K1 -42 | 20 | 118837001 | Z1 -3 | 48 |
| | Z2 -20 | 50 | 062300416 | J -23 | 18 | | K1 -42 | 22 | 118954000 | F -10 | 14 |
| | Z2 -29 | 50 | 062300612 | K1 -19 | 20 | 062501216 | A -7 | 2 | 122991001 | Z1 -1 | 48 |
| | Z2 -34 | 50 | | K1 -19 | 22 | | F -41 | 14 | 129458102 | F -22 | 14 |
| | Z2 -36 | 50 | 062300616 | Q -39 | 32 | | F -46 | 14 | 138843001 | Z2 -28 | 50 |
| 021500316 | K1 -12 | 20 | | T -8 | 38 | | F -51 | 14 | 140063001 | A -1 | 2 |
| 025030132 | J -22 | 18 | | U1 -13 | 40 | 062501406 | Z2 -32 | 50 | 140647101 | T -9 | 38 |
| 025040173 | U2 -7 | 42 | 062350512 | Q -22 | 32 | 062501416 | A -5 | 2 | | U1 -5 | 40 |
| 025040232 | B -23 | 4 | 062350516 | C -37 | 6 | | A -9 | 2 | 140890009 | P -66 | 30 |
| 025040233 | W -20 | 46 | | C -42 | 8 | | D -21 | 10 | 141208001 | E -5 | 12 |
| 025050236 | F -47 | 14 | | D -8 | 10 | | E -27 | 12 | 141331002 | S -35 | 36 |
| | S -45 | 36 | 062350816 | C -32 | 6 | 062661212 | T -26 | 38 | | S -37 | 36 |
| | T -24 | 38 | 062351216 | S -21 | 36 | 071063550 | D -19 | 10 | 141544001 | K1 -37 | 20 |
| 025050336 | F -42 | 14 | 062400616 | J -18 | 18 | 072600480 | M -9 | 26 | | K1 -37 | 22 |
| 025060132 | J -13 | 18 | | J -33 | 18 | 081004070 | P -27 | 28 | 142002001 | Z1 -6 | 48 |
| 025060136 | K1 -61 | 22 | | K1 -27 | 20 | | P -31 | 28 | 142026003 | W -13 | 46 |
| | R -6 | 34 | | K1 -29 | 20 | 081009070 | R -5 | 34 | 142027001 | W -14 | 46 |
| | R -15 | 34 | | K1 -32 | 20 | 081038070 | P -20 | 28 | 142274101 | P -36 | 28 |

| CODE | REF.NO | Page | CODE | REF.NO | Page | CODE | REF.NO | Page | CODE | REF.NO | Page |
|-----------|---------|------|-----------------------|---------|------|-----------|---------|------|-----------|---------|------|
| 142443001 | Z1 - 2 | 48 | 149863001 | D - 28 | 10 | J01411001 | U2 - 11 | 42 | S01641101 | Ga | 53 |
| 142721001 | Z1 - 8 | 48 | 149938001 | Ga | 53 | J02725001 | U2 - 17 | 42 | S01644001 | Ga | 53 |
| 142746002 | F - 21 | 14 | 149939001 | Ga | 53 | J03733001 | U2 - 4 | 42 | S01646001 | Ga | 53 |
| 142990001 | Z2 - 26 | 50 | 149940001 | Ga | 53 | J03739001 | U2 - 13 | 42 | S01928151 | K1 - 62 | 22 |
| 142997001 | Z2 - 6 | 50 | 149942001 | Ga | 53 | J03939001 | U2 - 9 | 42 | | Z1 - 12 | 48 |
| 143548000 | W - 26 | 46 | 149948001 | Ga | 53 | J03955001 | U1 - 22 | 40 | S02664001 | T - 5 | 38 |
| 143549000 | W - 25 | 46 | 149949001 | Ga | 53 | J03956001 | U1 - 24 | 40 | S02665000 | T - 6 | 38 |
| 143611201 | F - 8 | 14 | 149950101 | Ga | 53 | J03957001 | U1 - 25 | 40 | S02747101 | Z2 - 12 | 50 |
| 143612100 | F - 9 | 14 | 149952101 | Ga | 53 | J03958001 | U1 - 27 | 40 | S02779009 | Z2 - 22 | 50 |
| 143613051 | F - 16 | 14 | 149954001 | Ga | 53 | J03964001 | U1 - 38 | 40 | S02788009 | Z2 - 23 | 50 |
| 143616001 | F - 17 | 14 | 150173003 | Z2 - 16 | 50 | J03975001 | U1 - 51 | 40 | S02789009 | Z2 - 24 | 50 |
| 143882001 | Z1 - 30 | 48 | 150174000 | Z2 - 10 | 50 | J03976001 | U1 - 52 | 40 | S04109001 | Z2 - 5 | 50 |
| 143910009 | Z1 - 31 | 48 | | Z2 - 14 | 50 | J03983001 | U1 - 55 | 40 | S05246000 | P - 35 | 28 |
| 144226001 | Z1 - 15 | 48 | 150179002 | Z2 - 18 | 50 | J03984001 | U1 - 56 | 40 | S07027001 | W - 18 | 46 |
| 144504001 | Q - 27 | 32 | 150182000 | Z2 - 3 | 50 | J04086001 | V - 1 | 44 | S07030009 | W - 23 | 46 |
| 145446001 | Q - 23 | 32 | 150183000 | Z2 - 25 | 50 | | Sp1 | 44 | S07031009 | W - 24 | 46 |
| | R - 29 | 34 | 150185009 | Z2 - 27 | 50 | J04093001 | V - 5 | 44 | S07045009 | W - 12 | 46 |
| 145573000 | Z1 - 16 | 48 | 150188009 | Z2 - 21 | 50 | | Sp1 | 44 | S07346101 | E - 6 | 12 |
| 146039001 | Z1 - 38 | 48 | 150206002 | Z2 - 8 | 50 | J04096001 | V - 7 | 44 | S07349001 | E - 23 | 12 |
| 146046000 | W - 27 | 46 | 150820001 | D - 18 | 10 | | Sp1 | 44 | S07350001 | E - 36 | 12 |
| 146194000 | W - 28 | 46 | 151025001 | K2 - 2 | 24 | J04097001 | U2 - 8 | 42 | S07351001 | E - 13 | 12 |
| 146293001 | Z1 - 26 | 48 | 151027001 | K2 - 7 | 24 | J04098001 | U2 - 8 | 42 | S07355051 | E - 26 | 12 |
| 146367001 | W - 10 | 46 | 151034001 | K2 - 6 | 24 | J04099001 | U2 - 14 | 42 | S07374109 | F - 38 | 14 |
| 148511001 | T - 2 | 38 | 151035001 | K2 - 5 | 24 | J04100001 | U2 - 15 | 42 | S07376001 | F - 48 | 14 |
| 148536001 | S - 48 | 36 | 151043001 | Sp | 52 | J04115001 | Wa | 51 | S07401001 | Ga | 56 |
| 148539101 | S - 50 | 36 | 153132000 | G - 19 | 16 | J04134001 | V - 6 | 44 | S07403001 | Ga | 56 |
| 148546001 | S - 14 | 36 | 153138001 | G - 10 | 16 | | Sp1 | 44 | S07405101 | Ga | 56 |
| | T - 15 | 38 | 153230101 | Z1 - 27 | 48 | J04149001 | V - 8 | 44 | S07409001 | Ga | 56 |
| 148559100 | S - 27 | 36 | 154125001 | Z1 - 7 | 48 | | Sp1 | 44 | S07410001 | Ga | 56 |
| 148602001 | K1 - 63 | 22 | 154514001 | U1 - 9 | 40 | J04167001 | U2 - 10 | 42 | S07411001 | Ga | 56 |
| 148679001 | Ga | 53 | 154560001 | Q - 28 | 32 | J04168001 | U2 - 23 | 42 | S07419001 | K1 - 6 | 20 |
| 148683001 | Ga | 53 | 154567000 | C - 44 | 8 | J04169001 | U2 - 22 | 42 | S07420000 | K1 - 5 | 20 |
| 148689001 | Ga | 53 | 154729001 | G - 2 | 16 | J04195001 | U1 - 53 | 40 | S07424001 | T - 30 | 38 |
| 148697001 | Ga | 53 | 154730001 | G - 3 | 16 | J04210001 | U2 - 24 | 42 | S07494001 | L - 12 | 24 |
| 148698001 | Ga | 53 | 154731000 | G - 4 | 16 | J04230001 | U1 - 34 | 40 | S07509001 | S - 28 | 36 |
| 148699001 | Ga | 53 | 154965001 | K1 - 17 | 20 | J04243001 | U2 - 25 | 42 | S07525000 | K1 - 36 | 20 |
| 148700001 | Ga | 53 | | K1 - 17 | 22 | J04251001 | V - 11 | 44 | | K1 - 36 | 22 |
| 148701001 | Ga | 53 | 155510001 | Q - 29 | 32 | | Sp1 | 44 | S07526201 | S - 47 | 36 |
| 148702001 | Ga | 53 | 155722001 | Ga | 53 | J04255001 | V - 12 | 44 | S07527001 | S - 49 | 36 |
| 148703001 | Ga | 53 | 155724001 | Ga | 53 | | Sp1 | 44 | S07529001 | E - 14 | 12 |
| 148704001 | Ga | 53 | 155851001 | Ga | 53 | J04273001 | U1 - 54 | 40 | | E - 38 | 12 |
| 148705001 | Ga | 53 | 155853001 | Ga | 53 | J04296001 | U1 - 36 | 40 | S07549101 | T - 18 | 38 |
| 149095001 | G - 18 | 16 | 155855001 | Ga | 53 | J04393001 | U2 - 1 | 42 | S07550001 | T - 19 | 38 |
| 149570001 | Z1 - 9 | 48 | 155857001 | Ga | 53 | J04438001 | U2 - 2 | 42 | S07552001 | T - 25 | 38 |
| 149578000 | Z1 - 19 | 48 | 156112003 | Z2 - 15 | 50 | J04440001 | U2 - 3 | 42 | S07553001 | T - 29 | 38 |
| 149604001 | C - 8 | 6 | 156816001 | Ga | 53 | J04468001 | U2 - 16 | 42 | S07558309 | Z2 - 1 | 50 |
| 149605001 | C - 9 | 6 | 156818001 | Ga | 53 | J04469001 | V - 3 | 44 | S07575000 | C - 23 | 6 |
| 149608001 | C - 13 | 6 | 156819001 | Ga | 53 | | Sp1 | 44 | S07575001 | C - 23 | 6 |
| 149610001 | C - 17 | 6 | 158115001 | M - 13 | 26 | J04470001 | V - 10 | 44 | S07575002 | C - 23 | 6 |
| 149611101 | C - 18 | 6 | 158756001 | Ga | 55 | | Sp1 | 44 | S07575003 | C - 23 | 6 |
| 149622001 | C - 25 | 6 | 159398001 | Ga | 53 | J80964201 | U2 - 20 | 42 | S07575004 | C - 23 | 6 |
| 149671101 | Ga | 53 | 159801001 | K2 - 8 | 24 | J80965001 | U2 - 21 | 42 | S07575005 | C - 23 | 6 |
| 149673101 | Ga | 53 | 159802001 | K2 - 9 | 24 | J80966101 | U2 - 21 | 42 | S07575006 | C - 23 | 6 |
| 149675001 | Ga | 53 | 159805001 | Q - 24 | 32 | J80967001 | U2 - 18 | 42 | S07575007 | C - 23 | 6 |
| 149676001 | Ga | 53 | 228475000 | P - 13 | 28 | J80968001 | U2 - 18 | 42 | S07575008 | C - 23 | 6 |
| 149677001 | Ga | 53 | 340400001 | S - 54 | 36 | J80970001 | U2 - 19 | 42 | S07575009 | C - 23 | 6 |
| 149687001 | Ga | 53 | BMP2060-0000000- 0G40 | | | J80971001 | U1 - 30 | 40 | S07575010 | C - 23 | 6 |
| 149689001 | Ga | 53 | | U1 - 48 | 40 | J80973001 | U1 - 49 | 40 | S07575011 | C - 23 | 6 |
| 149691001 | Ga | 53 | BMP2060-0000000- CG40 | | | J80974001 | U1 - 50 | 40 | S07588101 | D - 26 | 10 |
| 149692001 | Ga | 53 | | U1 - 48 | 40 | J80990001 | U1 - 19 | 40 | S07676001 | Ga | 56 |
| 149799000 | W - 29 | 46 | BMP2060-0000000- EG40 | | | S01005000 | Z2 - 11 | 50 | S07678001 | Ga | 56 |
| 149827001 | C - 10 | 6 | | U1 - 48 | 40 | S01567001 | K2 - 3 | 24 | S07680001 | Ga | 56 |
| 149831101 | L - 5 | 24 | J00494001 | U2 - 12 | 42 | S01568001 | K2 - 4 | 24 | S07681001 | Ga | 56 |

索引 / INDEX

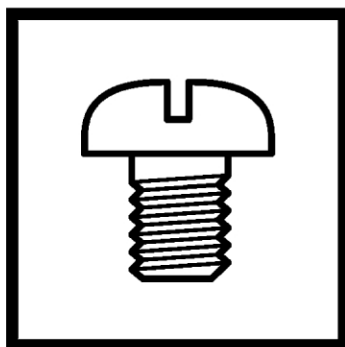
| CODE | REF.NO | Page | CODE | REF.NO | Page | CODE | REF.NO | Page | CODE | REF.NO | Page |
|-----------|--------|------|-----------|--------|------|-----------|--------|------|-----------|--------|------|
| S07684101 | Ga | 56 | S15744001 | Ga | 53 | S31032001 | R -31 | 34 | SA1360001 | R -26 | 34 |
| S07729001 | W -11 | 46 | S15747001 | Ga | 53 | S31885001 | Z1 -45 | 48 | SA1385001 | U1 -1 | 40 |
| S07748001 | Sp | 52 | | Ga | 56 | S32904000 | H -4 | 16 | SA1388001 | H -12 | 16 |
| S07876101 | P -43 | 28 | S15748001 | Ga | 53 | S32905000 | H -5 | 16 | SA1390001 | H -6 | 16 |
| S07905001 | Ga | 55 | | Ga | 56 | S32907000 | H -7 | 16 | SA1683111 | Sp | 52 |
| S09260001 | K1 -4 | 20 | S15749001 | Ga | 53 | S34281000 | H -3 | 16 | SA1752014 | Z1 -10 | 48 |
| S09261001 | K1 -4 | 20 | | Ga | 56 | S34438051 | A -20 | 2 | SA1752022 | Z1 -10 | 48 |
| S10507001 | Ga | 53 | S15750001 | Ga | 53 | S34561001 | C -11 | 6 | SA1962001 | Z1 -32 | 48 |
| S10509101 | Ga | 53 | | Ga | 56 | S34562001 | C -12 | 6 | SA1963001 | Z1 -33 | 48 |
| S10510001 | Ga | 53 | S15753001 | Ga | 53 | S34756001 | Z1 -42 | 48 | SA1969001 | Z1 -29 | 48 |
| S10550001 | W -9 | 46 | | Ga | 56 | S36522001 | Ga | 53 | SA1971101 | R -1 | 34 |
| S10780001 | E -37 | 12 | S15754001 | Ga | 53 | S36550001 | Ga | 53 | SA1975001 | R -3 | 34 |
| S11244001 | L -7 | 24 | | Ga | 56 | S36554001 | Ga | 53 | SA1978001 | R -4 | 34 |
| S12441001 | R -32 | 34 | S15755001 | Ga | 53 | S36556001 | Ga | 53 | SA1980001 | R -7 | 34 |
| S13085001 | L -4 | 24 | | Ga | 56 | S36663051 | A -19 | 2 | SA1981101 | R -10 | 34 |
| S13160001 | B -15 | 4 | S15756001 | Ga | 53 | S37037001 | Z2 -31 | 50 | SA1982101 | R -11 | 34 |
| S13621001 | Ga | 56 | | Ga | 56 | | Z2 -35 | 50 | SA1983001 | R -12 | 34 |
| S13623101 | Ga | 56 | S15759001 | Ga | 53 | S37038001 | Z2 -30 | 50 | SA1984001 | R -16 | 34 |
| S13624001 | Ga | 56 | S15760001 | Ga | 53 | S37060001 | A -23 | 2 | SA1985001 | R -18 | 34 |
| S14530001 | Ga | 53 | S15761001 | Ga | 53 | | Wa | 51 | SA1988001 | R -20 | 34 |
| S14532001 | Ga | 53 | S15762001 | Ga | 53 | S37682001 | Ga | 56 | SA1989001 | R -21 | 34 |
| S14533001 | Ga | 53 | S15765001 | Ga | 53 | S38212001 | K1 -16 | 20 | SA1990101 | R -22 | 34 |
| S14534001 | Ga | 53 | | Ga | 56 | | K1 -16 | 22 | SA1991001 | R -23 | 34 |
| S14536001 | Ga | 53 | S15766001 | Ga | 53 | S38266000 | P -10 | 28 | SA1992101 | R -25 | 34 |
| S15705001 | Ga | 53 | | Ga | 56 | S38274001 | Q -32 | 32 | SA1994001 | R -28 | 34 |
| S15706001 | Ga | 53 | S15767001 | Ga | 53 | S38278001 | Z1 -41 | 48 | SA1998001 | S -52 | 36 |
| S15707001 | Ga | 53 | | Ga | 56 | S38300001 | Z1 -37 | 48 | SA2040001 | A -24 | 2 |
| S15708001 | Ga | 53 | S15768001 | Ga | 53 | S38351001 | W -8 | 46 | | Wa | 51 |
| S15711001 | Ga | 53 | | Ga | 56 | | Wa | 51 | SA2041001 | A -24 | 2 |
| | Ga | 56 | S15771001 | Ga | 53 | S38421001 | T -22 | 38 | | Wa | 51 |
| S15712001 | Ga | 53 | S15772001 | Ga | 53 | S38426000 | T -4 | 38 | SA2165001 | E -32 | 12 |
| | Ga | 56 | S15773001 | Ga | 53 | S38427001 | F -19 | 14 | SA2190001 | R -24 | 34 |
| S15713001 | Ga | 53 | S15774001 | Ga | 53 | S38542001 | Ga | 56 | SA2270001 | H -2 | 16 |
| | Ga | 56 | S15889001 | Z1 -25 | 48 | S38543001 | Ga | 56 | SA2354001 | U1 -40 | 40 |
| S15714001 | Ga | 53 | S17774001 | Z1 -4 | 48 | S38544001 | Ga | 56 | SA2378001 | S -32 | 36 |
| | Ga | 56 | S18964001 | D -15 | 10 | S38648001 | Z2 -9 | 50 | SA2441001 | A -6 | 2 |
| S15717001 | Ga | 53 | S20681000 | Q -25 | 32 | S38687000 | S -51 | 36 | SA2442101 | A -8 | 2 |
| S15718001 | Ga | 53 | S20682105 | Q -26 | 32 | S38707001 | B -4 | 4 | SA2444101 | A -13 | 2 |
| S15719001 | Ga | 53 | S20901001 | Ga | 53 | S38710001 | B -17 | 4 | SA2445101 | A -14 | 2 |
| S15720001 | Ga | 53 | S20903001 | Ga | 53 | S38713100 | B -20 | 4 | SA2447001 | A -15 | 2 |
| S15723001 | Ga | 53 | S20905001 | Ga | 53 | S38744101 | U1 -2 | 40 | SA2449001 | A -17 | 2 |
| | Ga | 56 | S21798001 | Z2 -17 | 50 | S39048001 | T -7 | 38 | SA2460001 | B -16 | 4 |
| S15724001 | Ga | 53 | S23418002 | R -19 | 34 | S39051001 | E -12 | 12 | SA2461001 | B -19 | 4 |
| | Ga | 56 | | Z1 -28 | 48 | S39830101 | F -27 | 14 | SA2462001 | B -33 | 4 |
| S15725001 | Ga | 53 | S23460001 | C -53 | 8 | S40639001 | Z2 -13 | 50 | SA2463001 | B -24 | 4 |
| | Ga | 56 | S23651001 | B -10 | 4 | S41955051 | W -6 | 46 | SA2469001 | B -26 | 4 |
| S15726001 | Ga | 53 | | B -18 | 4 | S42198051 | W -4 | 46 | SA2474201 | C -3 | 6 |
| | Ga | 56 | | J -9 | 18 | S42199051 | W -5 | 46 | SA2479001 | A -16 | 2 |
| S15729001 | Ga | 53 | | K1 -40 | 20 | S42200051 | W -7 | 46 | | A -18 | 2 |
| S15730001 | Ga | 53 | | K1 -40 | 22 | S48204000 | C -62 | 8 | SA2485001 | C -45 | 8 |
| S15731001 | Ga | 53 | S25234001 | B -3 | 4 | S49623000 | P -14 | 28 | SA2486101 | C -47 | 8 |
| S15732001 | Ga | 53 | S25235001 | B -11 | 4 | S50098101 | F -24 | 14 | SA2489001 | C -49 | 8 |
| S15735001 | Ga | 53 | S25236001 | B -12 | 4 | S51282101 | Z2 -4 | 50 | SA2490101 | C -52 | 8 |
| | Ga | 56 | | F -13 | 14 | S51283001 | Z2 -2 | 50 | SA2493001 | C -58 | 8 |
| S15736001 | Ga | 53 | | M -11 | 26 | S54024001 | W -3 | 46 | SA2494001 | C -59 | 8 |
| | Ga | 56 | | S -33 | 36 | S54025001 | W -2 | 46 | SA2495001 | E -1 | 12 |
| S15737001 | Ga | 53 | S25260001 | B -8 | 4 | S55663001 | Z1 -14 | 48 | SA2496001 | E -7 | 12 |
| | Ga | 56 | | C -46 | 8 | SA1120001 | B -9 | 4 | SA2498001 | E -8 | 12 |
| S15738001 | Ga | 53 | S25289001 | E -9 | 12 | SA1174001 | E -3 | 12 | SA2499001 | E -10 | 12 |
| | Ga | 56 | S25344001 | Z1 -22 | 48 | SA1175001 | E -4 | 12 | SA2500001 | E -19 | 12 |
| S15741001 | Ga | 53 | S25475001 | Z1 -23 | 48 | SA1179001 | E -22 | 12 | SA2501001 | E -20 | 12 |
| S15742001 | Ga | 53 | S25789000 | R -9 | 34 | | E -31 | 12 | SA2502001 | E -21 | 12 |
| S15743001 | Ga | 53 | S31006001 | E -11 | 12 | | E -33 | 12 | SA2504001 | E -24 | 12 |

| CODE | REF.NO | Page | CODE | REF.NO | Page | CODE | REF.NO | Page | CODE | REF.NO | Page |
|-----------|--------|------|-----------|--------|------|-----------|--------|------|-----------|--------|------|
| SA2504001 | T -20 | 38 | SA2598101 | P -44 | 28 | SA2680001 | T -1 | 38 | SA3147001 | P -28 | 28 |
| SA2506001 | E -29 | 12 | SA2599001 | P -26 | 28 | SA2682001 | T -16 | 38 | | P -32 | 28 |
| SA2507001 | E -30 | 12 | | P -30 | 28 | SA2683001 | T -17 | 38 | | P -40 | 28 |
| SA2509001 | F -1 | 14 | SA2604001 | P -55 | 28 | SA2684001 | T -27 | 38 | SA3175001 | U1 -12 | 40 |
| SA2511001 | F -2 | 14 | SA2605001 | P -56 | 28 | SA2686001 | U1 -3 | 40 | SA3415001 | Q -2 | 32 |
| SA2512001 | F -4 | 14 | SA2606101 | P -60 | 28 | SA2687001 | U1 -42 | 40 | SA3416001 | Q -2 | 32 |
| SA2515001 | F -5 | 14 | SA2607001 | Q -1 | 32 | SA2688001 | H -1 | 16 | SA3417001 | Q -1 | 32 |
| SA2516001 | F -6 | 14 | SA2613001 | Q -4 | 32 | SA2689001 | H -10 | 16 | SA3840001 | J -10 | 18 |
| SA2518001 | F -11 | 14 | SA2614001 | Q -5 | 32 | SA2691101 | Z1 -17 | 48 | SA3855001 | J -1 | 18 |
| SA2521001 | F -14 | 14 | SA2615001 | Q -6 | 32 | SA2692101 | Z1 -18 | 48 | SA3856001 | K1 -8 | 20 |
| SA2523001 | F -26 | 14 | SA2619001 | Q -7 | 32 | SA2696001 | T -12 | 38 | SA3859001 | K1 -9 | 20 |
| SA2525001 | F -28 | 14 | SA2620001 | Q -9 | 32 | SA2707001 | W -1 | 46 | SA3887001 | J -20 | 18 |
| SA2526001 | F -30 | 14 | SA2621001 | Q -10 | 32 | SA2712001 | U1 -17 | 40 | SA3888001 | J -21 | 18 |
| SA2527001 | F -31 | 14 | SA2623001 | Q -8 | 32 | SA2717001 | K1 -33 | 20 | SA3889101 | K1 -13 | 20 |
| SA2528101 | F -33 | 14 | SA2624001 | Q -13 | 32 | | K1 -33 | 22 | | K1 -13 | 22 |
| SA2529101 | F -34 | 14 | SA2625001 | Q -14 | 32 | SA2722001 | K1 -55 | 22 | SA3890001 | M -1 | 26 |
| SA2530001 | F -37 | 14 | SA2626001 | Q -12 | 32 | SA2723001 | P -21 | 28 | SA3891001 | M -3 | 26 |
| SA2531001 | F -39 | 14 | | Q -15 | 32 | SA2724001 | J -34 | 18 | SA3894001 | K1 -31 | 20 |
| SA2532001 | F -45 | 14 | SA2627001 | Q -16 | 32 | | P -22 | 28 | | K1 -31 | 22 |
| SA2533001 | F -49 | 14 | SA2628001 | Q -17 | 32 | SA2727101 | P -34 | 28 | SA3896001 | P -25 | 28 |
| SA2535101 | G -5 | 16 | SA2629001 | Q -18 | 32 | SA2728001 | S -7 | 36 | SA3898001 | P -29 | 28 |
| SA2536001 | G -11 | 16 | SA2630001 | Q -21 | 32 | SA2732001 | T -11 | 38 | SA3912001 | K1 -38 | 20 |
| SA2539001 | G -16 | 16 | SA2632001 | Q -30 | 32 | SA2806001 | J -30 | 18 | | K1 -38 | 22 |
| SA2540001 | G -12 | 16 | SA2633001 | Q -33 | 32 | SA2814201 | P -1 | 28 | SA3916001 | K1 -51 | 22 |
| SA2541001 | F -40 | 14 | SA2634001 | Q -36 | 32 | SA2824001 | Q -20 | 32 | SA3923001 | P -53 | 28 |
| SA2543001 | J -4 | 18 | SA2635001 | Q -38 | 32 | SA2825001 | K1 -52 | 22 | SA3924001 | A -2 | 2 |
| SA2544001 | J -6 | 18 | SA2636001 | Q -41 | 32 | SA2826001 | K1 -43 | 22 | SA3946001 | P -3 | 28 |
| SA2546001 | J -8 | 18 | SA2637001 | Q -43 | 32 | SA2859000 | S -17 | 36 | SA3961001 | K1 -2 | 20 |
| SA2550001 | J -24 | 18 | SA2638001 | Q -44 | 32 | SA2860001 | S -16 | 36 | SA3965001 | J -2 | 18 |
| SA2551001 | J -25 | 18 | SA2640001 | Q -45 | 32 | SA2861101 | B -13 | 4 | SA3988001 | K1 -50 | 22 |
| SA2553001 | J -16 | 18 | SA2642001 | S -1 | 36 | SA2867001 | Z2 -7 | 50 | SA3990001 | J -19 | 18 |
| SA2554001 | J -17 | 18 | SA2643001 | S -2 | 36 | SA2927001 | J -12 | 18 | SA4009001 | J -32 | 18 |
| SA2555001 | J -27 | 18 | SA2644001 | S -3 | 36 | SA2928001 | J -28 | 18 | SA4011001 | J -35 | 18 |
| SA2556001 | K1 -53 | 22 | SA2645001 | S -4 | 36 | SA2929001 | A -22 | 2 | SA4012001 | K1 -30 | 20 |
| | K1 -57 | 22 | | S -46 | 36 | | P -9 | 28 | | K1 -30 | 22 |
| SA2557001 | K1 -7 | 20 | SA2646001 | S -6 | 36 | | P -18 | 28 | SA4014001 | P -65 | 30 |
| SA2560001 | K1 -10 | 20 | SA2647001 | S -9 | 36 | SA2935101 | B -14 | 4 | SA4026001 | K1 -14 | 20 |
| SA2562101 | K1 -18 | 20 | SA2648001 | S -11 | 36 | SA2956001 | P -4 | 28 | | K1 -14 | 22 |
| SA2563101 | K1 -45 | 22 | SA2651001 | S -13 | 36 | SA2957001 | P -5 | 28 | SA4028001 | J -3 | 18 |
| SA2565001 | K1 -56 | 22 | SA2652101 | S -15 | 36 | SA2992001 | G -8 | 16 | SA4029001 | K1 -3 | 20 |
| SA2566001 | J -14 | 18 | SA2653001 | S -19 | 36 | | G -14 | 16 | SA4033101 | P -12 | 28 |
| SA2567001 | K1 -58 | 22 | SA2655001 | S -20 | 36 | SA3025001 | U1 -41 | 40 | SA4038001 | K1 -4 | 20 |
| SA2568001 | K1 -59 | 22 | SA2657001 | S -23 | 36 | SA3037001 | P -37 | 28 | SA4040001 | U1 -11 | 40 |
| SA2571001 | M -5 | 26 | SA2658001 | S -24 | 36 | SA3040001 | P -2 | 28 | SA4042001 | K1 -26 | 20 |
| SA2572001 | K1 -20 | 20 | SA2659001 | S -26 | 36 | | P -38 | 28 | SA4043001 | K1 -47 | 22 |
| SA2574001 | K1 -21 | 20 | SA2661001 | S -31 | 36 | SA3044001 | P -50 | 28 | SA4044001 | K1 -28 | 20 |
| | K1 -24 | 20 | SA2663001 | S -34 | 36 | SA3045201 | P -47 | 28 | SA4045001 | K1 -48 | 22 |
| | K1 -21 | 22 | SA2665001 | S -36 | 36 | SA3046001 | P -48 | 28 | SA4050001 | Ga | 53 |
| | K1 -24 | 22 | SA2667001 | S -38 | 36 | SA3047001 | P -52 | 28 | SA4051001 | Ga | 53 |
| SA2575001 | K1 -22 | 20 | SA2668001 | S -40 | 36 | SA3048101 | P -62 | 28 | SA4117001 | C -54 | 8 |
| | K1 -22 | 22 | SA2669001 | S -41 | 36 | SA3049001 | P -63 | 28 | SA4118001 | C -56 | 8 |
| SA2578001 | E -41 | 12 | SA2670001 | K1 -49 | 22 | SA3054001 | K1 -25 | 20 | SA4149101 | E -34 | 12 |
| SA2579001 | K1 -46 | 22 | SA2671001 | K1 -41 | 20 | SA3055101 | P -6 | 28 | SA4212001 | Q -3 | 32 |
| SA2580101 | M -6 | 26 | SA2672001 | S -42 | 36 | | P -7 | 28 | SA4213001 | M -15 | 26 |
| SA2582001 | Z1 -20 | 48 | SA2673001 | S -43 | 36 | | P -23 | 28 | SA4364001 | A -3 | 2 |
| SA2584001 | M -8 | 26 | SA2675001 | K1 -39 | 20 | | P -51 | 28 | SA4370101 | A -11 | 2 |
| SA2585001 | F -12 | 14 | | K1 -39 | 22 | SA3056001 | F -20 | 14 | SA4373001 | B -2 | 4 |
| | M -10 | 26 | SA2676001 | K1 -34 | 20 | SA3057001 | B -28 | 4 | SA4376101 | B -29 | 4 |
| | M -14 | 26 | | K1 -34 | 22 | SA3059001 | B -31 | 4 | SA4377001 | C -1 | 6 |
| SA2587101 | M -12 | 26 | SA2677001 | E -16 | 12 | SA3060001 | P -39 | 28 | SA4378001 | C -2 | 6 |
| SA2590001 | Z1 -21 | 48 | | E -40 | 12 | SA3061001 | P -33 | 28 | SA4382001 | C -5 | 6 |
| SA2596001 | P -41 | 28 | SA2678001 | N -2 | 26 | SA3065001 | B -30 | 4 | SA4385001 | C -6 | 6 |
| SA2597001 | P -42 | 28 | SA2679001 | N -4 | 26 | SA3072001 | G -1 | 16 | SA4387001 | C -7 | 6 |

索引 / INDEX

| CODE | REF.NO | Page | CODE | REF.NO | Page | CODE | REF.NO | Page | CODE | REF.NO | Page |
|-----------|--------|------|------|--------|------|------|--------|------|------|--------|------|
| SA4387002 | C -7 | 6 | | | | | | | | | |
| SA4387003 | C -7 | 6 | | | | | | | | | |
| SA4389001 | C -21 | 6 | | | | | | | | | |
| SA4391001 | C -15 | 6 | | | | | | | | | |
| SA4392001 | C -19 | 6 | | | | | | | | | |
| SA4393001 | C -34 | 6 | | | | | | | | | |
| SA4394001 | C -35 | 6 | | | | | | | | | |
| SA4395001 | C -22 | 6 | | | | | | | | | |
| SA4396001 | C -26 | 6 | | | | | | | | | |
| SA4397001 | C -28 | 6 | | | | | | | | | |
| SA4398001 | C -29 | 6 | | | | | | | | | |
| SA4399001 | C -31 | 6 | | | | | | | | | |
| SA4400001 | C -38 | 6 | | | | | | | | | |
| SA4401001 | C -36 | 6 | | | | | | | | | |
| SA4402001 | D -1 | 10 | | | | | | | | | |
| SA4404001 | D -5 | 10 | | | | | | | | | |
| SA4405001 | D -7 | 10 | | | | | | | | | |
| SA4406001 | D -10 | 10 | | | | | | | | | |
| SA4408001 | D -12 | 10 | | | | | | | | | |
| SA4409001 | D -13 | 10 | | | | | | | | | |
| SA4411101 | D -14 | 10 | | | | | | | | | |
| SA4412001 | D -17 | 10 | | | | | | | | | |
| SA4413001 | D -20 | 10 | | | | | | | | | |
| SA4414001 | D -23 | 10 | | | | | | | | | |
| SA4415001 | D -24 | 10 | | | | | | | | | |
| SA4416001 | D -27 | 10 | | | | | | | | | |
| SA4417001 | D -29 | 10 | | | | | | | | | |
| SA4418001 | D -31 | 10 | | | | | | | | | |
| SA4419001 | D -15 | 10 | | | | | | | | | |
| SA4435101 | K1 -1 | 20 | | | | | | | | | |
| SA4436101 | K1 -44 | 20 | | | | | | | | | |
| SA4441001 | D -6 | 10 | | | | | | | | | |
| SA4444001 | K1 -4 | 20 | | | | | | | | | |
| SA4458001 | K1 -43 | 22 | | | | | | | | | |
| SA4506001 | Q -34 | 32 | | | | | | | | | |
| SA4507001 | Q -35 | 32 | | | | | | | | | |
| SA4509001 | M -7 | 26 | | | | | | | | | |
| SA4538001 | J -29 | 18 | | | | | | | | | |
| SA4549001 | K1 -20 | 22 | | | | | | | | | |
| SA4551001 | B -1 | 4 | | | | | | | | | |
| SA4583001 | C -24 | 6 | | | | | | | | | |
| SA4585001 | M -2 | 26 | | | | | | | | | |
| | M -4 | 26 | | | | | | | | | |
| SA5154201 | P -16 | 28 | | | | | | | | | |
| SA5155001 | C -40 | 6 | | | | | | | | | |
| SA5200001 | U1 -44 | 40 | | | | | | | | | |
| SA5224001 | P -11 | 28 | | | | | | | | | |
| SA5237101 | C -41 | 8 | | | | | | | | | |
| SA5293001 | P -15 | 28 | | | | | | | | | |
| SA5332001 | C -61 | 8 | | | | | | | | | |
| SA5333001 | D -9 | 10 | | | | | | | | | |
| SA5336001 | D -3 | 10 | | | | | | | | | |
| SA5588001 | D -22 | 10 | | | | | | | | | |
| SA6150001 | J -11 | 18 | | | | | | | | | |
| SA6166001 | B -5 | 4 | | | | | | | | | |
| SA6294001 | K1 -64 | 20 | | | | | | | | | |
| | K1 -64 | 22 | | | | | | | | | |
| SA6301001 | K1 -23 | 20 | | | | | | | | | |
| | K1 -23 | 22 | | | | | | | | | |
| SA6307001 | K1 -65 | 20 | | | | | | | | | |
| | K1 -65 | 22 | | | | | | | | | |
| W01519001 | J -31 | 18 | | | | | | | | | |

brother[®]



パーツブック
PARTS BOOK

ブラザー工業株式会社

BROTHER INDUSTRIES, LTD. <http://www.brother.com/>

Printed in Japan

T-8452A
SA4425-001
2005.02.B (1)