



Teileliste
Spare Parts List

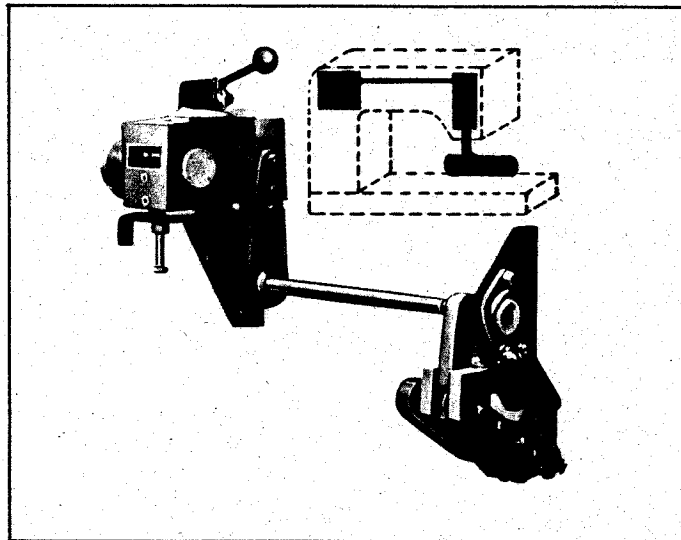
SP 460; SP ...

DÜRKOPP ADLER AG

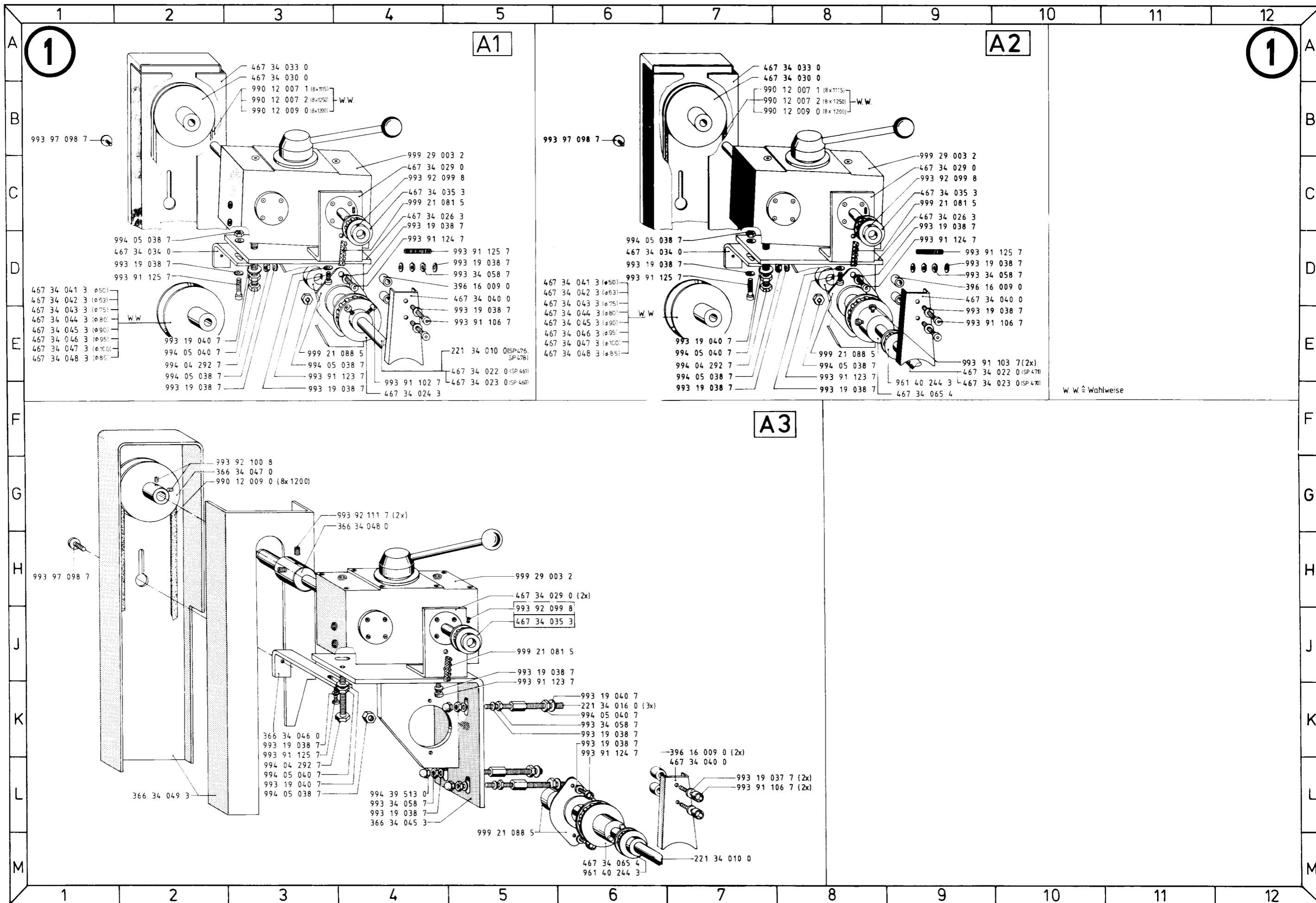


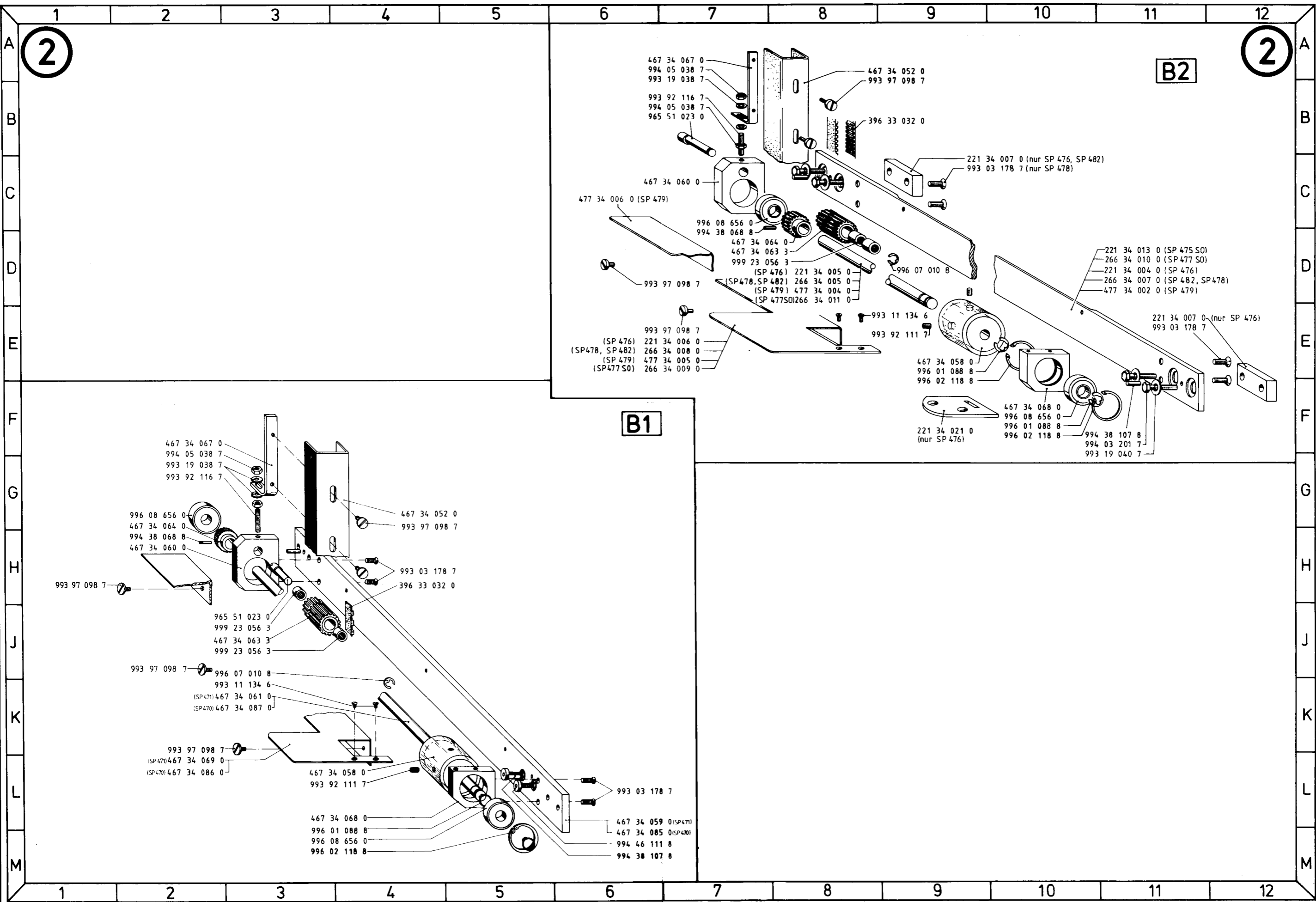
Teileliste
Spare Parts List

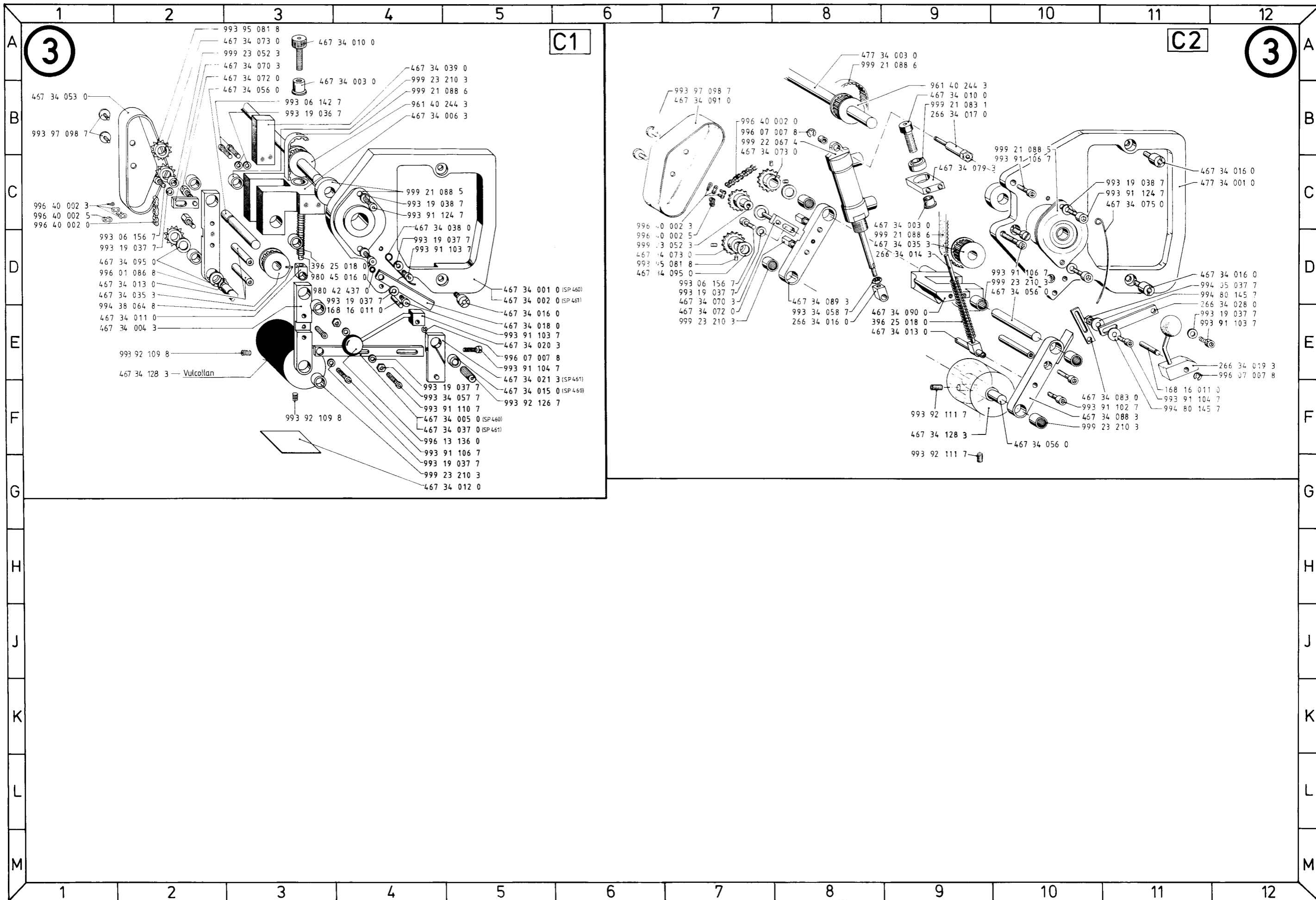
SP 460; SP ...



| Klasse Class | | Teile Nr. Part No. | A1 | A2 | A3 | B1 | B2 | C1 | C2 | C3 | C4 | C5 | C6 | C7 | E1 | | |
|-----------------|---------|-------------------------|--|----|----|----|----|----|----|----|----|----|----|----|----|---|--|
| 467,767 | SP460 | 467 34 751 9 | ● | | | | | ● | | | | | | | | | |
| 467-65 | SP461 | 467 34 752 9 | ● | | | | | ● | | | | | | | | | |
| 467,767 | SP470 | 467 34 754 9 | | ● | | ● | | | | ● | | | | | | | |
| 467-65 | SP471 | 467 34 753 9 | | ● | | ● | | | | | ● | | | | | | |
| 550-21 | SP473 | 467 34 755 4 | siehe Teileliste 550-21 (see parts list 550-21) | | | | | | | | | | | | | | |
| 221-50 | SP475S0 | 221 34 752 4 | | ● | | | ● | | | | | | ● | | | | |
| 221-76 | SP476 | 221 34 753 9 | | ● | | | ● | | | | | | ● | | | | |
| 266-... | SP477S0 | 266 34 750 9 | | ● | | | ● | | | | | ● | | | | ● | |
| 266-76 | SP478 | 266 34 751 9 | | ● | | | ● | | | | | ● | | | | ● | |
| 477 | SP479 | 477 34 751 9 | | ● | | | ● | | ● | | | | | | | | |
| 366 | SP482 | 366 34 751 9 | | | ● | | ● | | | | | | | | ● | | |



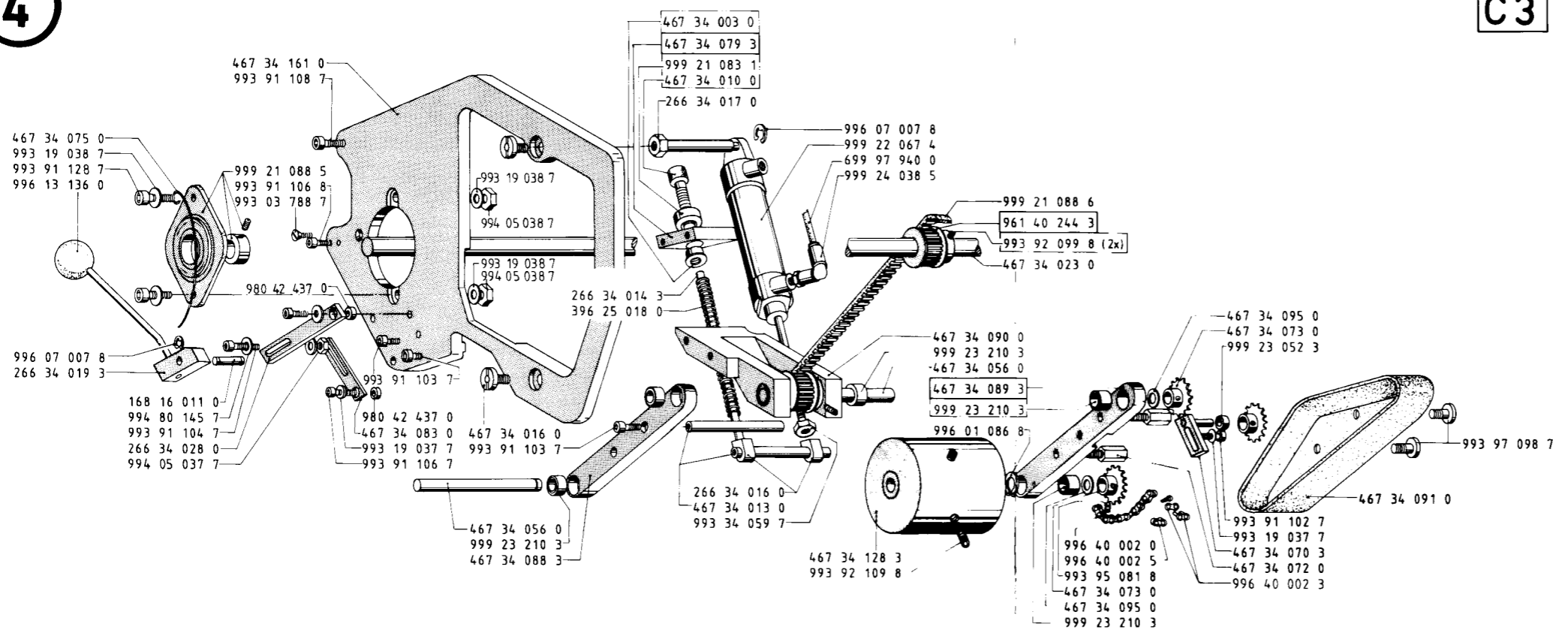




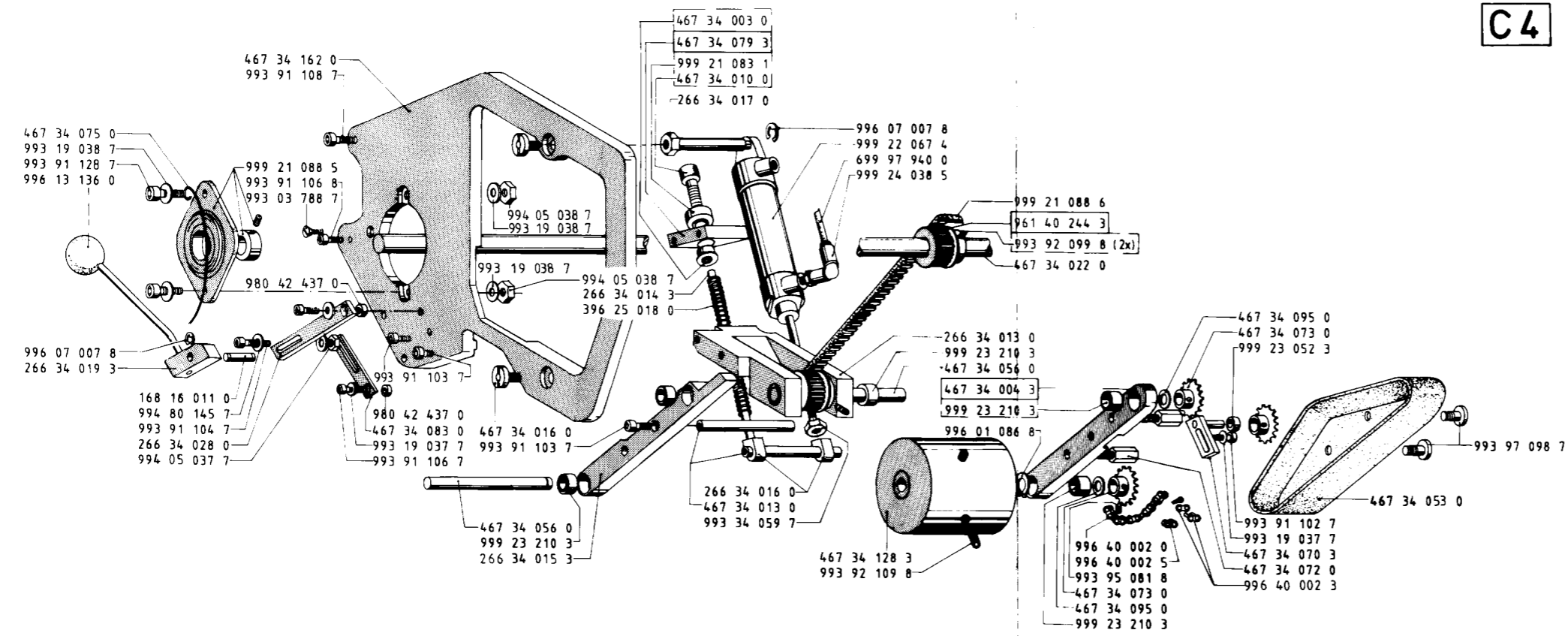
4

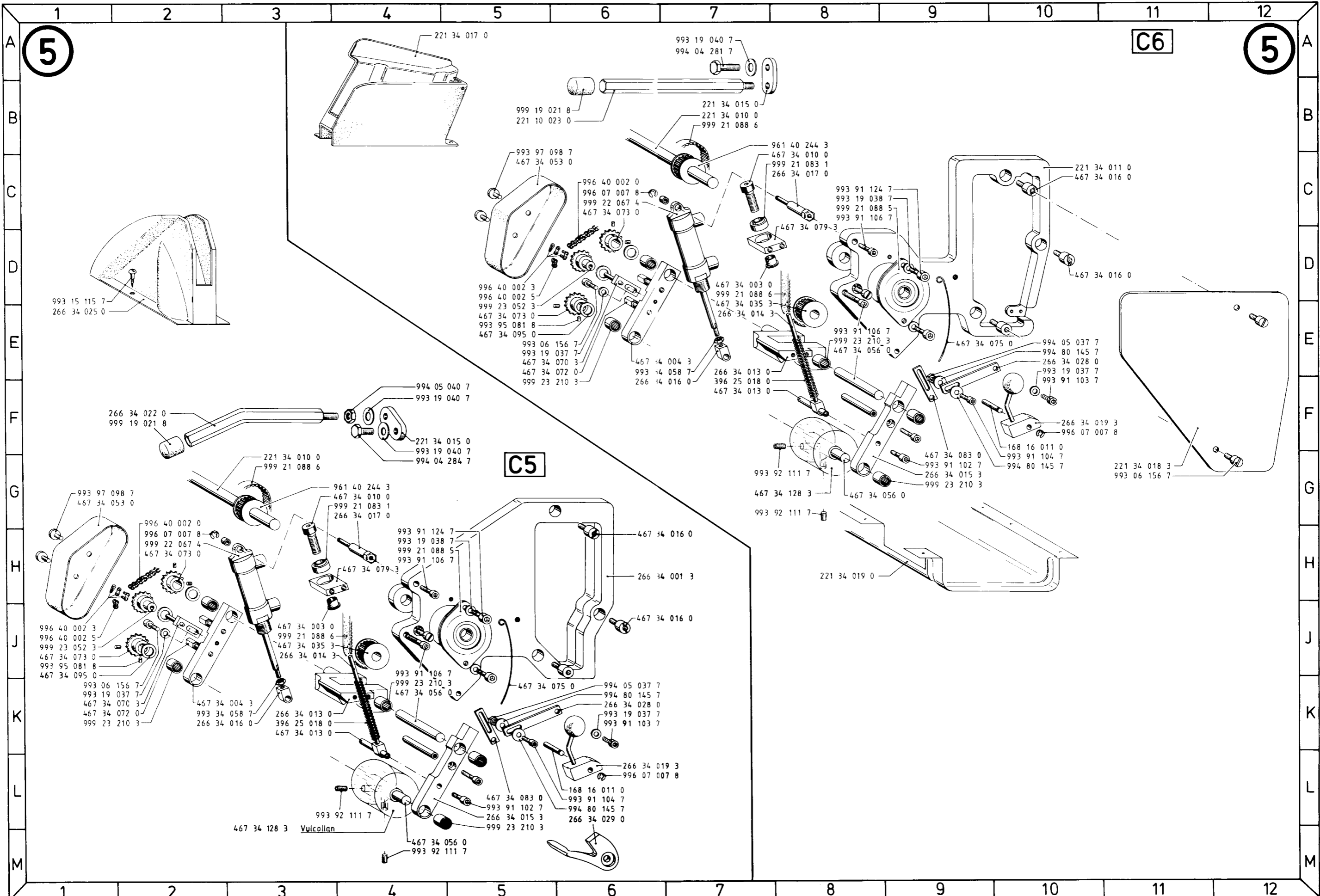
C3

4



C4





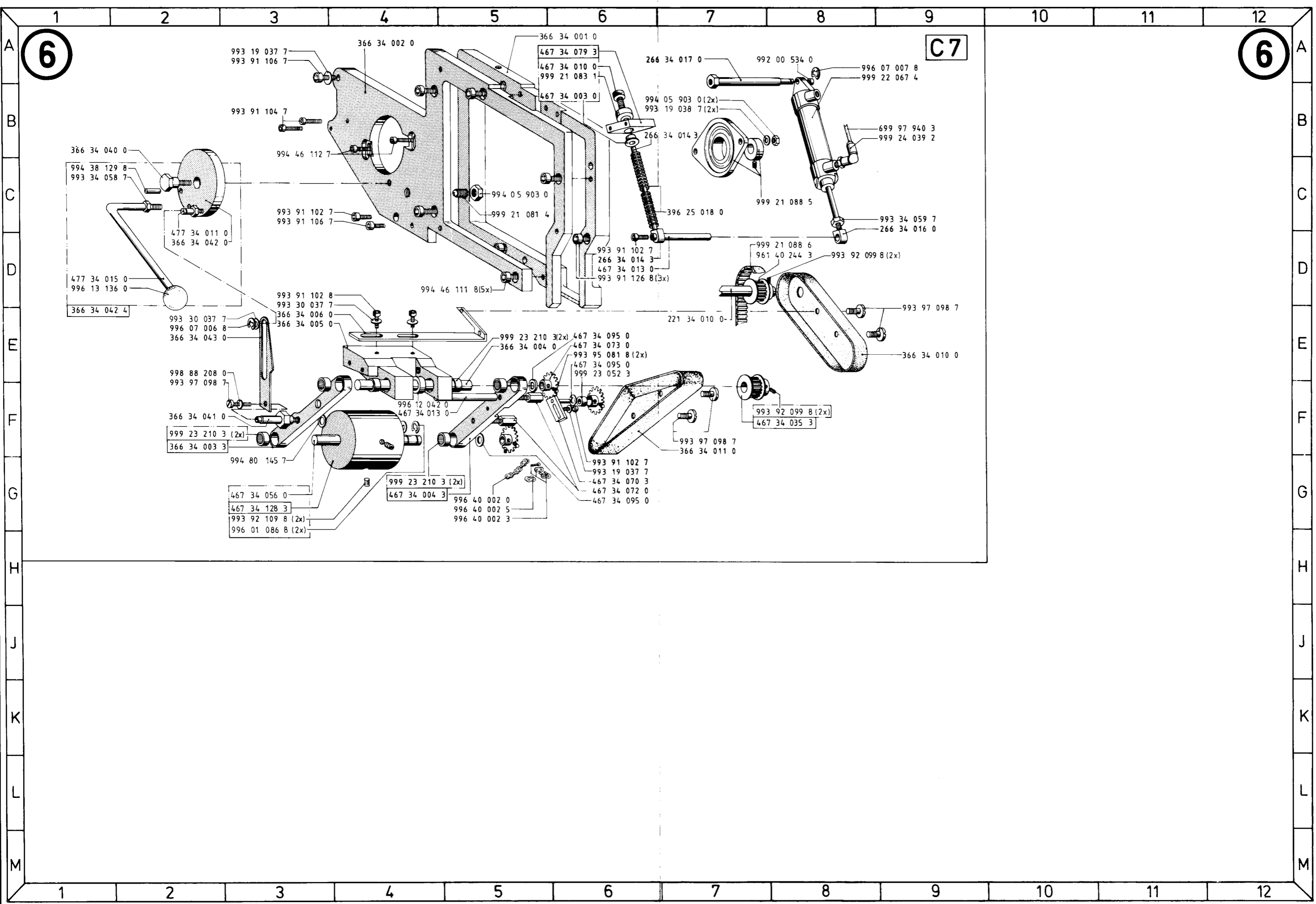
5

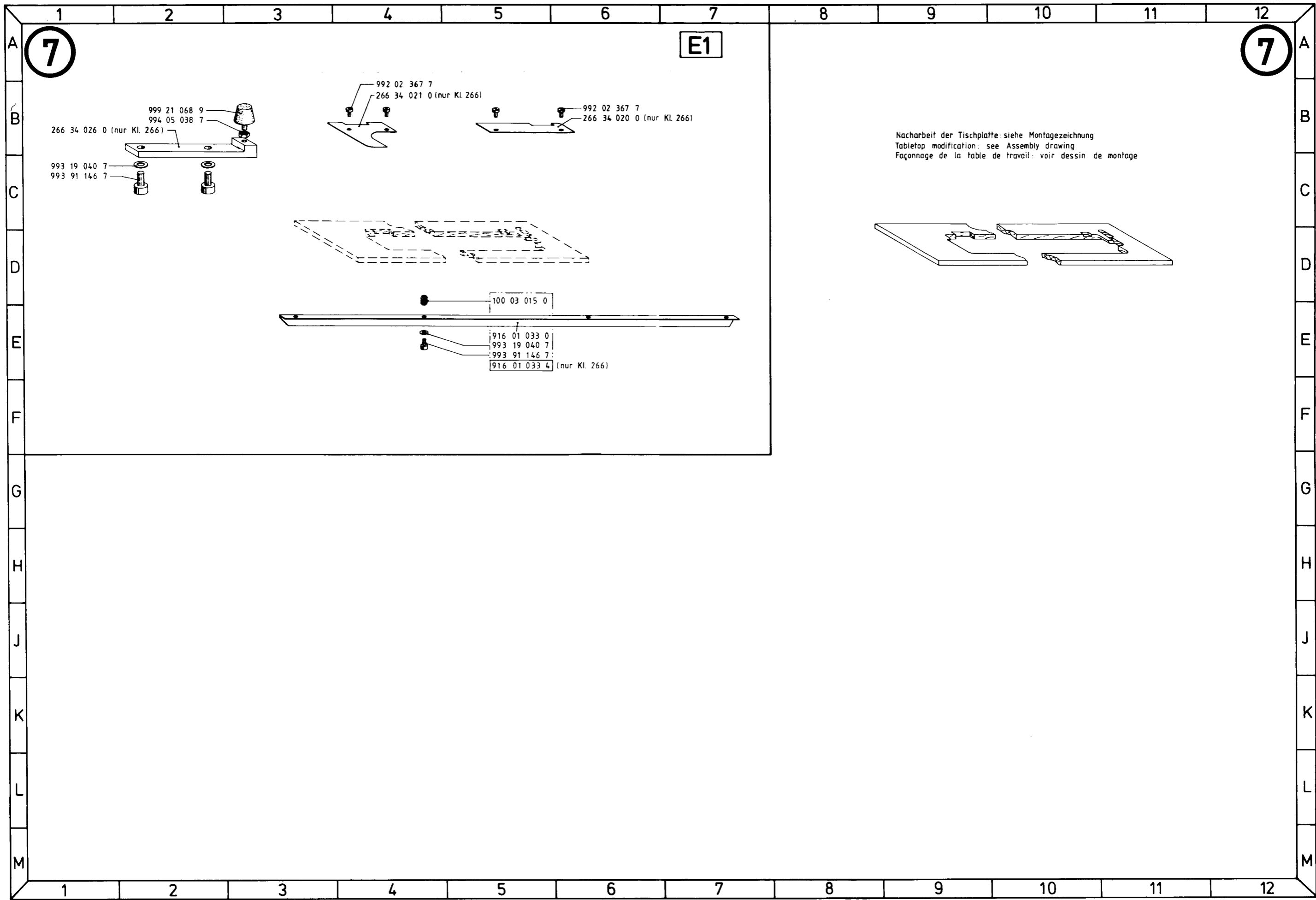
5

C6

C5

Vulcollan





| Teile-Nr. | Benennung | Bildtafel | Teile-Nr. | Benennung | Bildtafel |
|---------------|----------------------------------|-----------------------------------|---------------|--------------------------------|-----------------------------------|
| SP-WALZEN | | | K266 34 020 0 | ABDECKPLATTE, HI HINTEN | 7B6 |
| K100 03 015 0 | EINSATZ INSERT 16X23 M8B | 7D5 7E5 | K266 34 021 0 | ABDECKPLATTE, VO VORN | 7B4 |
| K168 16 011 0 | BOLZEN BOLT | 3E4 3F11 4D2 4K2 5F10 5L6 | K266 34 022 0 | OBERTEILSTUETZE SUPPORT | 5F2 |
| K221 10 023 0 | SECHSKANTSTUETZ | 5B5 | K266 34 025 0 | HAUBE, VORN | 5E1 |
| K221 34 004 0 | LEISTE REGLET | 2D11 | K266 34 026 0 | STUETZE SUPPORT | 7B1 |
| K221 34 005 0 | WELLE, UNTEN | 2D8 | K266 34 028 0 | LASCHE SHACKLE | 3D12 4E2 4K2 5E10 5K6 |
| K221 34 006 0 | ABDECKUNG COVER | 2E7 | K266 34 029 0 | LUEFTERHEBEL LIFTER LEVER | 5L6 |
| K221 34 007 0 | DISTANZSTUECK DISTANCE PIECE | 2C9 2E11 | K266 34 751 9 | WALZENTRANSPORT PULLER FEED | |
| K221 34 010 0 | WELLE, OBEN | 1E5 1M7 5B7 5G3 6E7 | K366 34 001 0 | PLATTE | 6A6 |
| K221 34 011 0 | PLATTE PLATE | 5C10 | K366 34 002 0 | LAGERPLATTE | 6A4 |
| K221 34 013 0 | LEISTE | 2D11 | K366 34 003 3 | ARM V | 6F2 |
| K221 34 015 0 | PLATTE PLATE | 5B7 5F4 | K366 34 004 0 | WELLE | 6E5 |
| K221 34 016 0 | GEM. BOLZEN | 1K6 | K366 34 005 0 | GABEL | 6E3 |
| K221 34 017 0 | RIEMENSCHUTZ BELT GUARD UNTEN | 5A5 | K366 34 006 0 | LASCHE | 6E3 |
| K221 34 018 3 | KOPFDECKEL HEAD COVER | 5G11 | K366 34 010 0 | SCHUTZHAUBE | 6E9 |
| K221 34 019 0 | OELFANGSCHALE OIL DRIP PAN | 5H8 | K366 34 011 0 | SCHUTZHAUBE | 6F7 |
| K221 34 021 0 | SCHARNIERPLATTE | 2F9 | K366 34 040 0 | PASZSCHRAUBE | 6B1 |
| K266 34 001 3 | LAGERPLATTE BEARING PLATE | 5H6 | K366 34 041 0 | BOLZEN | 6F2 |
| K266 34 005 0 | WELLE, UNTEN | 2D8 | K366 34 042 0 | SCHEIBE | 6D2 |
| K266 34 007 0 | LEISTE REGLET | 2D11 | K366 34 042 4 | HEBEL V | 6E1 |
| K266 34 008 0 | ABDECKUNG COVER | 2E7 | K366 34 043 0 | LASCHE | 6E2 |
| K266 34 009 0 | ABDECKUNG COVER | 2E7 | K366 34 045 3 | KONSOLE V | 1L4 |
| K266 34 010 0 | LEISTE REGLET | 2D11 | K366 34 046 0 | WINKEL | 1K3 |
| K266 34 011 0 | WELLE/UNTEN | 2D8 | K366 34 047 0 | RIEMENSCHLEIBE D80 | 1G3 |
| K266 34 013 0 | GABEL FORK | 4K6 5E7 5K3 | K366 34 048 0 | ADAPTER | 1G4 |
| K266 34 014 3 | DRUCKSTANGE PRESSURE ROD | 3D9 4D4 4J4 5E7 5J3 6B7 6D6 | K366 34 049 3 | SCHUTZHAUBE V POLYSTYROL 475 K | 1L2 |
| K266 34 015 3 | ARM ARM | 4L4 5G9 5L5 | K366 34 751 9 | WALZENTRANSPORT PULLER FEED | |
| K266 34 016 0 | ZUGSTANGE PULL ROD | 3E8 4E5 4L5 5F6 5K3 6C9 | K396 16 009 0 | BUCHSE BUSHING | 1D5 1D9 1K7 |
| K266 34 017 0 | BOLZEN BOLT | 3B9 4B5 4H5 5C8 5G4 6A7 | K396 25 018 0 | DRUCKFEDER PRESSURE SPRING | 3D3 3E9 4D4 4J4 5F7 5K3 6C7 |
| K266 34 019 3 | LUEFTERHEBEL LIFTER LEVER | 3E12 4D1 4K1 5F10 5L6 | K396 33 032 0 | ZAHNRIEMEN BELT | 2B9 2H4 |
| | | | | 12T 5/ 410 | |
| | | | K467 34 001 0 | PLATTE | 3D5 |
| | | | K467 34 002 0 | PLATTE PLATE | 3D5 |
| | | | K467 34 003 0 | BUCHSE BUSHING | 3A4 3C9 4A5 4G5 5D7 5J3 6B6 |
| | | | K467 34 004 3 | ARM ARM | 3E2 4K6 5E6 5K2 6G4 |
| | | | K467 34 005 0 | HEBEL | 3F5 |
| | | | K467 34 006 3 | GABEL FORK | 3B4 |

| Teile-Nr. | Benennung | Bildtafel | Teile-Nr. | Benennung | Bildtafel |
|---------------|-------------------------------|---|---------------|------------------------------|--|
| K467 34 010 0 | SPEZIALSCHRAUBE SPECIAL SCREW | 3A4 3B9 4B5 4G5 5C8 5G4 6A6 | K467 34 044 3 | RIEMENSCHLEIBE PULLEY D80 | 1E1 1E6 |
| K467 34 011 0 | LAGERBOCK PILLLOW BLOCK | 3E2 | K467 34 045 3 | RIEMENSCHLEIBE V D90 | 1E1 1E6 |
| K467 34 012 0 | PLATTE PLATE | 3G4 | K467 34 046 3 | RIEMENSCHLEIBE V D95 | 1E1 1E6 |
| K467 34 013 0 | BOLZEN BOLT | 3D2 3E9 4E5 4L5 5F7 5K3 6D6 6F4 | K467 34 047 3 | RIEMENSCHLEIBE V D100 | 1E1 1E6 |
| K467 34 015 0 | ADAPTER KPL ADAPTER CPL | 3F5 | K467 34 048 3 | RIEMENSCHLEIBE V D85 | 1E1 1E6 |
| K467 34 016 0 | NIPPEL NIPPLE | 3C12 3D12 3E5 4E4 4K4 5C10 5D10 5H6 5J6 | K467 34 052 0 | SCHUTZHAUBE BONNET | 2A9 2G4 |
| K467 34 018 0 | HEBEL LEVER | 3E5 | K467 34 053 0 | SCHUTZHAUBE BONNET | 3B1 4L9 5C5 5G1 |
| K467 34 020 3 | HEBEL LEVER | 3E5 | K467 34 056 0 | WELLE SHAFT | 3B3 3D10 3F10 4D6 4E4 4K6 4L4 5E8 5G8 5K4 5M4 6G3 |
| K467 34 021 3 | KLOBEN BLOCK | 3E5 | K467 34 058 0 | WALZE ROLLER | 2E9 2L4 |
| K467 34 022 0 | WELLE SHAFT | 1E5 1E9 4J7 | K467 34 059 0 | LEISTE REGLET | 2L6 |
| K467 34 023 0 | WELLE SHAFT | 1F5 1F9 4C7 | K467 34 060 0 | LAGERBOCK PILLLOW BLOCK | 2C7 2H2 |
| K467 34 024 3 | ZAHNRIEMENRAD BELT PULLEY | 1F4 | K467 34 061 0 | WELLE SHAFT | 2K3 |
| K467 34 026 3 | KONSOLE KPL PANEL CPL | 1C4 1C9 | K467 34 063 3 | ZAHNRAD COG WHEEL | 2D7 2J3 |
| K467 34 029 0 | WINKEL ANGLE | 1C4 1C9 1H5 | K467 34 064 0 | ZAHNRAD COG WHEEL | 2D7 2G2 |
| K467 34 030 0 | RIEMENSCHLEIBE PULLEY | 1A3 1A8 | K467 34 065 4 | KUPPLUNG COUPLER | 1F9 1M6 |
| K467 34 033 0 | SCHUTZHAUBE BONNET | 1A3 1A8 | K467 34 067 0 | WINKEL ANGLE | 2A7 2F2 |
| K467 34 034 0 | WINKEL ANGLE | 1D2 1D6 | K467 34 068 0 | LAGERBOCK PILLLOW BLOCK | 2F10 2L4 |
| K467 34 035 3 | ZAHNRIEMENRAD BELT PULLEY | 1C4 1C9 1J5 3D2 3D9 5E7 5J3 6F8 | K467 34 069 0 | ABDECKUNG COVER | 2L2 |
| K467 34 037 0 | HEBEL LEVER | 3F4 | K467 34 070 3 | HALTER HOLDER | 3A3 3D7 4F8 4L8 5E5 5K1 6G6 |
| K467 34 038 0 | FEDER SPRING | 3C4 | K467 34 072 0 | STEBBOLZEN BOLT | 3A3 3E7 4F8 4L8 5E5 5K1 6G6 |
| K467 34 039 0 | KLOTZ LOG | 3A4 | K467 34 073 0 | KETTENRAD CHAIN WHEEL | 3A3 3B4 3D6 4D8 4F7 4J8 4M7 5C6 5E5 5H2 5J1 6E6 |
| K467 34 040 0 | RIEMENSCHUTZ BELT GUARD | 1D5 1D9 1L7 | K467 34 075 0 | FEDER SPRING | 3C11 4B1 4H1 4J8 5E9 5K5 |
| K467 34 041 3 | RIEMENSCHLEIBE V D50 | 1D1 1D6 | K467 34 079 3 | HALTER HOLDER | 3C9 4A5 4G5 5D8 5H4 6A6 |
| K467 34 042 3 | RIEMENSCHLEIBE PULLEY | 1D1 1D6 | K467 34 083 0 | HEBEL LEVER | 3F11 4E3 4K3 5G9 5L5 |
| K467 34 043 3 | RIEMENSCHLEIBE PULLEY | 1D6 1E1 | | | |

| Teile-Nr. | Benennung | Bildtafel | Teile-Nr. | Benennung | Bildtafel | Teile-Nr. | Benennung | Bildtafel | Teile-Nr. | Benennung | Bildtafel |
|---------------|--------------------------------|---|---------------|---|---|---------------|-------------------------------|-------------------------------------|---------------|--------------------------------|---|
| K467 34 085 0 | LEISTE REGLET | 2M6 | K965 51 023 0 | BOLZEN BOLT | 2B7 2J3 | K993 30 037 7 | SCHEIBE DISC | 6D3 6E2 | K993 92 109 8 | GEW.STIFT M6X6 | 3E2 3F3 4F5 4L6 6G3 |
| K467 34 086 0 | ABDECKUNG COVER | 2L2 | K980 42 437 0 | BUCHSE BUSHING | 3D3 4C2 4E3 4J2 4K3 | K993 34 057 7 | MUTTER NUT | 3F4 | K993 92 111 7 | GEWINDESTIFT THREADED PIN | 1G4 2E9 2L4 3F9 3G9 5G8 |
| K467 34 087 0 | WELLE SHAFT | 2K3 | K980 45 016 0 | WELLE SHAFT | 3D3 | | M5 | | K993 92 116 7 | GEWINDESTIFT THREADED PIN | 5L4 5M4 2B7 2G2 |
| K467 34 088 3 | ARM ARM | 3F11 4F4 | K990 12 007 1 | KEILRIEMEN V BELT | 1B3 1B8 | K993 34 058 7 | MUTTER NUT | 1D5 1D9 1K6 1L4 3E8 5E6 | K993 92 126 7 | GEWINDESTIFT THREADED PIN | 3F5 |
| K467 34 089 3 | ARM ARM | 3D8 4D6 | | 8 X 1115 | | K993 34 059 7 | MUTTER NUT | 5K2 6C1 4E5 4L5 6C9 | K993 92 127 7 | GEWINDESTIFT THREADED PIN | |
| K467 34 090 0 | GABEL FORK | 3E9 4D6 | K990 12 007 2 | KEILRIEMEN V BELT | 1B3 1B8 | | M8 | | K993 95 081 8 | GEWINDESTIFT THREADED PIN | 3A3 3D6 4F7 4L7 5E5 JJ1 |
| K467 34 091 0 | SCHUTZHAUBE BONNET | 3B7 4E9 | K990 12 009 0 | KEILRIEMEN V BELT | 1B3 1B8 1G3 | K993 91 102 7 | SCHRAUBE SCREW | 1E4 3F11 4E8 4L8 5G9 5L5 | K993 97 098 7 | SCHRAUBE SCREW | 1B1 1B6 1H1 2A9 2J2 2K2 3B1 3B7 |
| K467 34 095 0 | SCHEIBE DISC | 3D2 3D6 4D8 4F7 4M7 5E5 5J1 6E6 6G6 | | 8 X 1250 | | K993 91 102 8 | SCHRAUBE SCREW | 6C3 6D6 6G6 6D3 | | M4X8 | 2D7 2E7 2G4 2H1 4E9 4K9 5B5 5G1 6E9 6F2 6F7 |
| K467 34 128 3 | WALZE ROLLER | 3E2 3F9 4F5 4L6 5G8 5M3 | K990 12 011 9 | KEILRIEMEN V BELT | 1B8 | K993 91 103 7 | SCHRAUBE SCREW | 1E9 3D4 3E5 3E12 4D3 4E4 | K994 03 201 7 | SCHRAUBE SCREW | 2F11 |
| K467 34 161 0 | PLATTE PLATE | 6G3 4B2 | K992 00 534 0 | ROLLE ROLLER | 6A8 | | M5X12 | 4K3 4K4 5F10 5K6 | K994 04 281 7 | SCHRAUBE SCREW | 5A7 |
| K467 34 162 0 | PLATTE PLATE | 4G2 | K992 02 367 7 | SCHRAUBE SCREW | 7B4 7B6 | K993 91 104 7 | SCHRAUBE SCREW | 3E5 3F11 4E2 4K2 5G10 5L6 | K994 04 284 7 | SCHRAUBE SCREW | 5G4 |
| K467 34 752 9 | WALZENTRANSPORT PULLER FEED | | K993 03 178 7 | SENKSCHRAUBE SCREW | 2C9 2E11 2H4 2L6 | K993 91 106 7 | SCHRAUBE SCREW | 6B3 1E5 1E9 1L7 3C10 3D10 3F4 | K994 04 292 7 | SCHRAUBE SCREW | 1E2 1E7 1L3 |
| K467 34 753 9 | WALZENTRANSPORT PULLER FEED | | K993 03 788 7 | SENKSCHRAUBE SCREW | 4C2 4H2 | K993 91 106 8 | ZYL.SCHR. M5X20 | 4E3 4K3 5C8 5E8 5H4 5J4 6A3 6C3 | | M8X60 | |
| K467 34 754 9 | WALZENTRANSPORT PULLER FEED | | K993 06 142 7 | SCHRAUBE SCREW | 3B7 | K993 91 108 7 | SCHRAUBE SCREW | 4C2 4H2 | K994 05 037 7 | MUTTER NUT | 3D12 4E2 5E10 5K6 |
| K477 34 001 0 | PLATTE PLATE | 3C12 | K993 06 156 7 | SCHRAUBE SCREW | 3D2 3D7 5E5 5G11 5K1 | K993 91 110 7 | SCHRAUBE SCREW | 3F4 | K994 05 038 7 | MUTTER NUT | 1D2 1D6 1E2 1E3 1E7 1E8 1L3 2A7 2B7 2F2 4C4 4H4 |
| K477 34 002 0 | LEISTE REGLET | 2D11 | K993 11 134 6 | SENKSCHRAUBE SCREW | 2E9 2K3 | K993 91 123 7 | SCHRAUBE SCREW | 1E3 1E8 1J5 | K994 05 040 7 | MUTTER NUT | 1E2 1E7 1K6 1L3 5F4 |
| K477 34 003 0 | WELLE SHAFT | 3A8 | K993 19 036 7 | SCHEIBE DISC | 3B3 | K993 91 124 7 | SCHRAUBE SCREW | 1D4 1D9 1K6 3C4 3C11 5C8 | K994 05 903 0 | GKT.MUTTER M6 | 6B7 6C5 |
| K477 34 004 0 | WELLE SHAFT | 2D8 | | 4,3 | | K993 91 125 7 | SCHRAUBE SCREW | 5H4 1D2 1D5 1D6 1D9 1K3 | K994 38 064 8 | SPANNHUELSE CLAMPING SLEEVE | 3E2 |
| K477 34 005 0 | ABDECKUNG COVER | 2E7 | K993 19 037 7 | SCHEIBE DISC | 1L7 3D2 3D4 3D7 3E12 3F4 | K993 91 126 8 | ZYL.SCHR. M6X20 | 6D6 | K994 38 068 8 | SPANNHUELSE CLAMPING SLEEVE | 2D7 2H2 |
| K477 34 006 0 | ABDECKUNG COVER | 2C6 | | B5,3 | | K993 91 128 7 | ZYL.SCHR. M6X25 | 4B1 4H1 | K994 38 107 8 | SPANNHUELSE CLAMPING SLEEVE | 2F11 2M6 |
| K477 34 011 0 | BOLZEN DISC | 6C2 | | 4K3 4L8 5E5 | | K993 91 146 7 | SCHRAUBE SCREW | 7C1 7E5 | K994 38 129 8 | SPANNHUELSE CLAMPING SLEEVE | 6C1 |
| K477 34 015 0 | HEBEL DISC | 6D1 | | 5E10 5K1 5K6 6A3 6G6 | | K993 92 099 8 | GEW.STIFT M5X6 45H SCHWARZ | 1C4 1C9 1J5 4C7 4J7 6D8 6F8 | K994 39 513 0 | HUTMUTTER CAPNUT | 1L4 |
| K477 34 751 9 | WALZENTRANSPORT PULLER FEED | | K993 19 038 7 | SCHEIBE DISC | 1C4 1C9 1D2 1D5 1D6 1D9 1E5 1E9 1F2 1F3 1F7 1F8 | K993 92 100 8 | GEWINDESTIFT THREADED PIN | 1G3 | | M6 | |
| K699 97 940 3 | SCHLAUCH 4,0LWX1,0 PA11 | 6B9 | | B6,4 | | | M5X8 | | | | |
| K699 97 940 0 | SCHLAUCH 2,7LWX0,65 PA11 | 4B6 4H6 | | 1J5 1K3 1K6 1L4 2A7 2G2 3C4 3C11 4B1 4C4 4H1 4J4 5C8 5H4 6B7 | | | | | | | |
| K916 01 033 0 | WINKEL ANGLE | 7E5 | K993 19 040 7 | SCHEIBE DISC | 1E2 1E7 1K6 1L3 2F11 5A7 5F4 7C1 7E5 | | | | | | |
| K916 01 033 4 | WINKEL ANGLE | 7E5 | | | | | | | | | |
| K961 40 244 3 | ZAHNRIEMENRAD BELT PULLEY | 1E9 1M6 3B4 3B9 4C7 4J7 5B8 5G4 6D8 | | | | | | | | | |

| eile-Nr. | Benennung | Bildtafel | Teile-Nr. | Benennung | Bildtafel |
|--------------|---------------------------------|--------------------------------|---------------|------------------------------|------------------------------------|
| 994 46 111 8 | ZYL.SCHR. M6X12 | 2M6 6D5 | K999 21 081 5 | ZAHNRIEMEN BELT | 1C4 1C9 1J5 |
| 994 46 112 7 | ZYL.SCHR. M6X16 | 6B3 | | BT 5/ 365 | |
| 994 80 145 7 | SCHLEIBE DISC | 3D12 3F11 4E4 4K2 5E10 5G10 | K999 21 083 1 | GELLENKLAGER BEARING | 3B9 4B5 4G5 5C8 5G4 6A6 |
| 996 01 086 8 | SICHERGSS RING CIRCLIP | 5K6 5L6 6G3 3D2 4E6 4K6 6G3 | K999 21 088 5 | GEHAEUSE HOUSING | 1E3 1E8 1L5 3B10 3C4 4B2 |
| 996 01 088 8 | SICHERGSS RING CIRCLIP | 2E9 2F10 2M4 | | 12 X 28,6 | 4H2 5C8 5H4 6C8 |
| 996 02 118 8 | SICHERGSS RING CIRCLIP | 2E9 2F10 2M4 | K999 21 088 6 | ZAHNRIEMEN BELT | 3A8 3B4 3D9 4C7 4H7 5B7 5D7 5G3 |
| 996 07 006 8 | SICHERGSSSCHEIBE SAFETY DISC | 6E2 | | 12T 5/ 255 | 5J3 6D8 |
| 996 07 007 8 | SICHERGSSSCHEIBE SAFETY DISC | 3B7 3E5 3E12 4B6 4D1 4H6 | K999 22 047 6 | HUELSE BUSH | |
| 996 07 010 8 | SICHERGSSSCHEIBE SAFETY DISC | 4K1 5C6 5F10 5H2 5L6 6A9 | | A4X0,3X10 | |
| 996 08 656 0 | RI KUGELLAGER BALL BEARING | 2C7 2F10 2G2 2M4 | K999 22 051 9 | VENTIL VALVE | |
| 996 12 042 0 | STELLRING ADJ RING | 6F4 | | MANUELL- G1/8" | |
| 996 13 136 0 | KUGELKNOPF SPHERIC BUTTON | 3F4 4C1 4H1 6D1 | K999 22 067 4 | ZYLINDER CYLINDER | 3B7 4B6 4H6 5C6 5H2 6A9 |
| 996 40 002 0 | ROLLENKETTE CHAIN | 3B7 3C1 4F7 4L7 5C6 5G2 6G5 | K999 22 076 4 | VENTIL VALVE | |
| 996 40 002 3 | KETTENGLIED CHAIN LINK | 3C1 3C6 4F8 4M8 5D5 5J1 6G5 | | ODER-ELEM.STECKBAR | |
| 996 40 002 5 | KETTENGLIED CHAIN LINK | 3C1 3D7 4F7 4L7 5D5 5J1 6G5 | K999 23 052 3 | NADELHUELSE NEEDLE SOCKET | 3A3 3D7 4D8 4K8 5E5 5J1 6E6 |
| 998 88 208 0 | PASS SCHEIBE WASHER | 6E6 | | HK 0609 | |
| 999 19 021 8 | KAPPE CAP | 5B5 5F2 | K999 23 056 3 | NADELHUELSE NEEDLE SOCKET | 2D7 2J3 |
| 999 21 068 9 | PUFFER BUFFER | 7B2 | | HK 0912 | |
| 999 21 081 4 | DRUCKSTUECK PRESSURE PIECE | 6C5 | K999 23 210 3 | NADELHUELSE NEEDLE SOCKET | 3A4 3D10 3E7 3F11 3G4 4D6 |
| | | | | HK 1012 | 4F4 4F7 4K6 4L4 5K1 5K4 5L5 6E5 |
| | | | K999 24 038 5 | VERSCHRAUBUNG COUPLING | 6F2 6G4 4C6 4H6 |
| | | | | R 1/8"D 4 | |
| | | | K999 24 039 2 | VERSCHRAUBUNG COUPLING | 6B9 |
| | | | | R 1/8"D 6 | |
| | | | K999 29 003 2 | GETRIEBE KPL GEAR CPL | 1B4 1B9 1H5 |
| | | | | SK 4 | |