



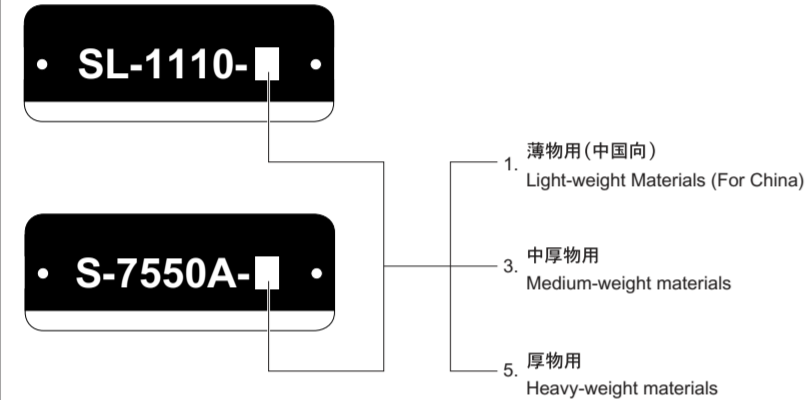
brother

SL-1110 S-7550A

パーツリスト PARTS LIST

1 本針高速本縫ミシン HIGH SPEED SINGLE NEEDLE STRAIGHT LOCK STITCHER

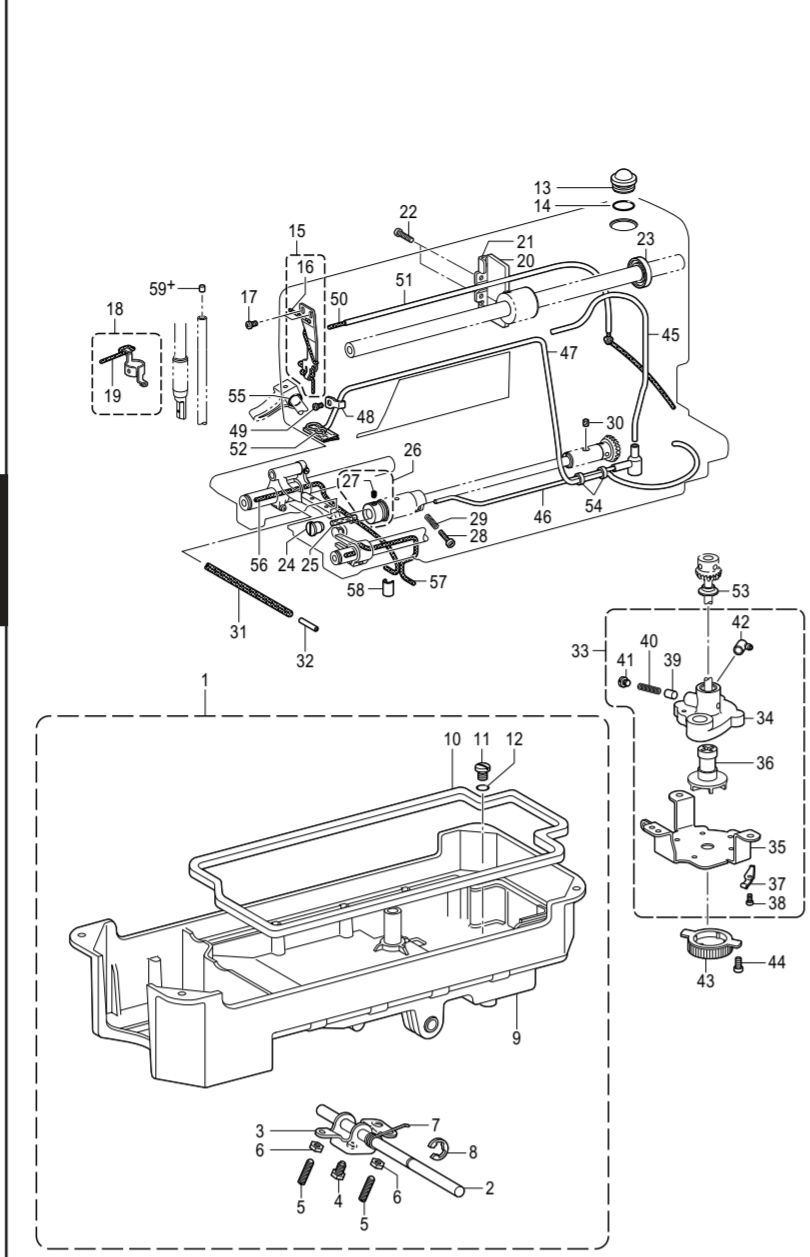
型式板の見方 Description of model plate



- 1. このリストは、2006年09月のデータに基づいて作成されたものです。
2. 部品は予告なしに設計変更される場合があります。
3. 組単位で補給する部品は、破線で示してあります。
4. イラスト中の数字の末尾に "+" が付いている場合は、仕様異なりますのでリストを参照ください。
5. リスト中の CODE 欄に "* Ga." がある場合は、仕様異なりますので、項目 "Ga. ゲージ部品一覧" を参照ください。

- 1. This list was prepared based on information available in September 2006.
2. Parts are subject to changes in design without prior notice.
3. Parts supplied as complete assemblies are circled in a dotted line.
4. If the symbol "+" is found at the end of number in the figure, refer to the parts list, because specification differs.
5. If the symbol "* Ga." is found in CODE column in list, refer to item the "Ga. Gauge parts list", because specification differs.

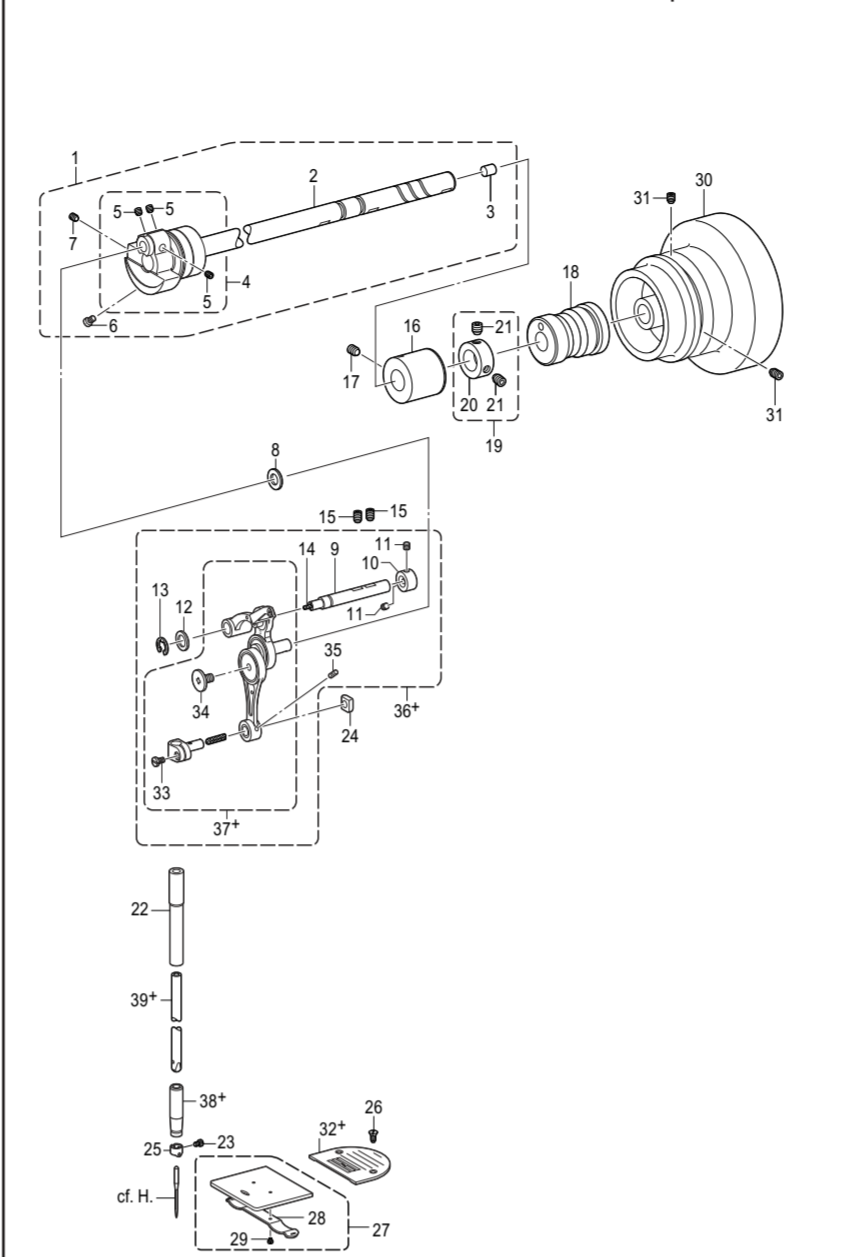
A. 給油潤滑関係 / Lubrication



SL-1110-350

Table with columns: REF.NO, CODE, QTY, 品名, NAME OF PARTS. Lists parts for the lubrication system including oil pan, wick, pump, and various screws and washers.

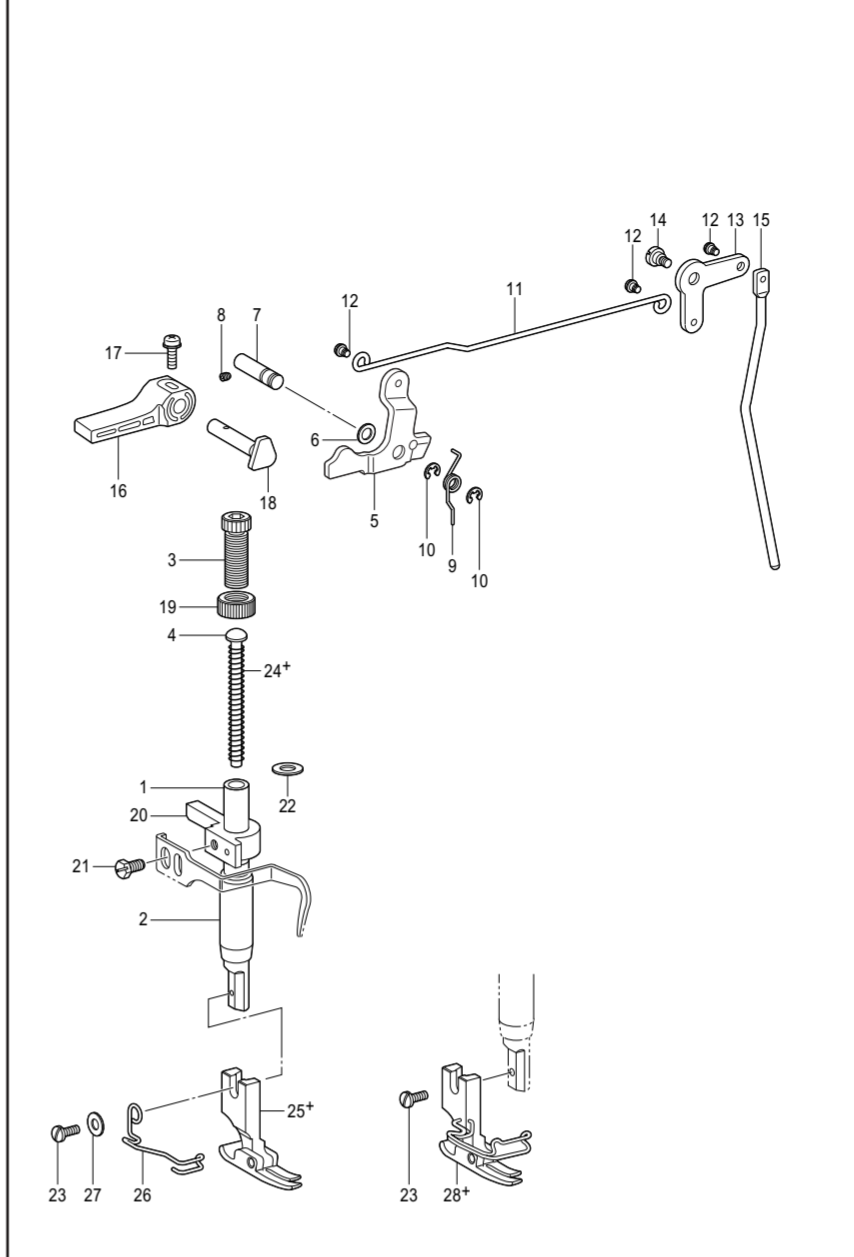
B. 針棒・天秤関係 / Needle bar and thread take-up mechanism



SL-1110-101

Table with columns: REF.NO, CODE, QTY, 品名, NAME OF PARTS. Lists parts for the needle bar and thread take-up mechanism including the upper shaft, needle bar, and thread take-up lever.

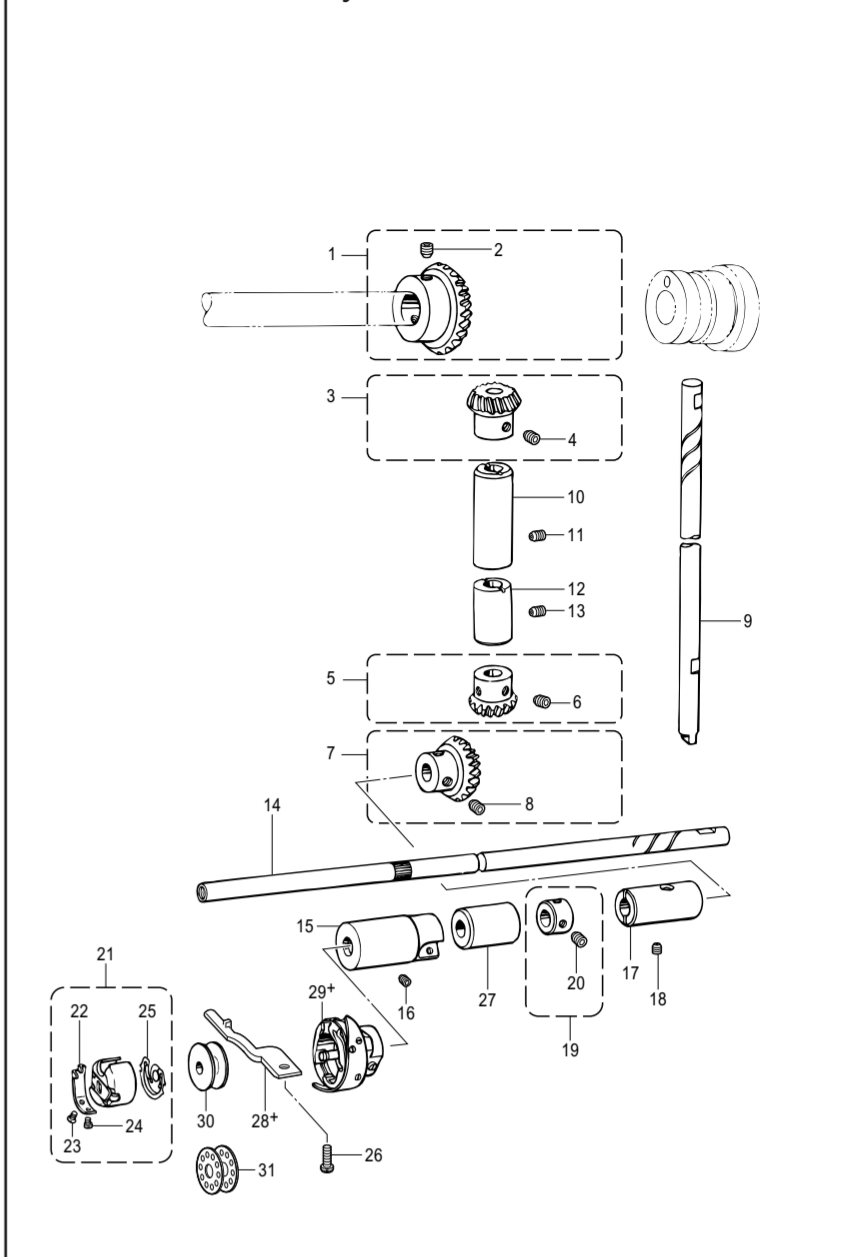
C. 押え関係 / Presser foot mechanism



SL-1110-201

Table with columns: REF.NO, CODE, QTY, 品名, NAME OF PARTS. Lists parts for the presser foot mechanism including the presser bar, lifter lever, and presser foot.

D. かま関係 / Rotary hook mechanism



SL-1110-301

Table with columns: REF.NO, CODE, QTY, 品名, NAME OF PARTS. Lists parts for the rotary hook mechanism including the upper shaft, rotary hook, and bobbin.

