

brother

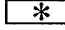
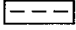
**AC SERVOMOTOR
AC-SERVOMOTOR
SERVOMOTEUR AC
SERVOMOTOR DE AC**

**MD-601 (Single-Phase Type)
MD-611 (Three-Phase Type)**


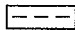
**PARTS BOOK
TEILEKATALOG
LIVRE DES PIECES
LIBRO DE REFERENCIA DE PIEZAS**



Notes for using this parts book

1. If the symbol  is found in the "Parts No." column of the "Assembly No." column, refer to the different parts list on page 18.
2. The symbol  in the "Parts No." column indicates that the parts is not available for supply. If, however, there is a number in the "Assembly No." column, the parts can be ordered as an assembly. Please, therefore, order by using the assembly number.
3. This book was prepared based on information available in March 2000.
4. Parts are subject to changes in design without prior notice.

Hinweise zur Verwendung dieser Teileliste

1. Dieses Zeichen  in der Spalte "Parts No. (Teilnummer)" oder "Assembly No. (Gerätesatznummer)" verweist auf die Gesonderte Stückliste auf Seite 18.
2. Dieses Zeichen  in der Spalte "Teilnummer" bedeutet, daß dieser Teil nicht lieferbar ist. Wenn jedoch in der Spalte "Gerätesatznummer" eine Nummer steht, kann dieser Teil als ein Geräteteilsatz bestellt werden. Bestellen Sie daher bitte mit dieser Gerätesatznummer.
3. Dieses Buch basiert auf den Informationen vom März 2000.
4. Modelländerungen sind vorbehalten.


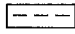
CONTENTS

| | |
|--|----|
| A . Motor mechanism | 1 |
| B . Safety cover | 3 |
| C . Control box (1) | 5 |
| D . Control box (2) | 7 |
| E . Operation panel, switch box mechanism (1) | 9 |
| F . Operation panel, switch box mechanism (2) | 11 |
| G . Material edge sensor related (option) (1) | 13 |
| H . Material edge sensor related (option) (2) | 14 |
| I . Pedal for standing operation | 15 |
| J . Synchronizer | 17 |
| DIFFERENT PARTS LIST | 18 |
| INDEX | 21 |

INHALTSVERZEICHNIS

| | |
|---|----|
| A . Motors | 1 |
| B . Sicherheitsdeckung | 3 |
| C . Schaltkasten (1) | 5 |
| D . Schaltkasten (2) | 7 |
| E . Schaltkasten (1) | 9 |
| F . Schaltkasten (2) | 11 |
| G . Für Materialkantensensor (Sonderausstattung) (1) | 13 |
| H . Für Materialkantensensor (Sonderausstattung) (2) | 14 |
| I . Fusstritt für stehenden Arbeitsplatz | 15 |
| J . Synchronisator | 17 |
| ZUBEHÖRLISTE | 18 |
| VERZEICHNIS | 21 |

Notes sur l'utilisation de ce manuel de pièces détachées

1. Si le symbole  se trouve dans la colonne "Parts No. (N° de pièce)" ou dans la colonne "Assembly No. (N° jeu de pièces)", veuillez vous référer à la liste de pièces annexe page 18.
2. Le symbole  dans la colonne "N° de pièce" signifie que la pièce ne peut être fournie. Si, dans la colonne "N° jeu de pièces", il y a un numéro de nomenclature, la pièce peut être commandée comme faisant partie d'un jeu de pièces. Donc, pour toute commande, veuillez spécifier le n° du jeu de pièces.
3. Ce manuel a été fait d'après les renseignements valables au mois de mars 2000.
4. Les pièces peuvent être sujettes à des modifications sans préavis.

Notas para usar este Libro de Piezas

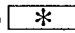
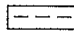
1. De haber un símbolo  junto al "Parts No. (Número de Pieza)" o en la columna del "Assembly No. (Número de juego)", habrá que mirar la lista de piezas separada de la página 18.
2. El símbolo , que se encuentra en la columna del "Número de Pieza", quiere decir que no se dispone de dicha pieza sola. Cuando, empero, hay un número en la columna del "Número de Juego", se podrá ordenar la pieza con todo el juego. Por lo tanto, será mejor hacer el pedido recurriendo al número del juego respectivo.
3. Este libro ha sido compilado basándose en los datos de que se disponía en marzo 2000.
4. Las piezas quedan sujetas a cambios de diseño sin aviso previo.

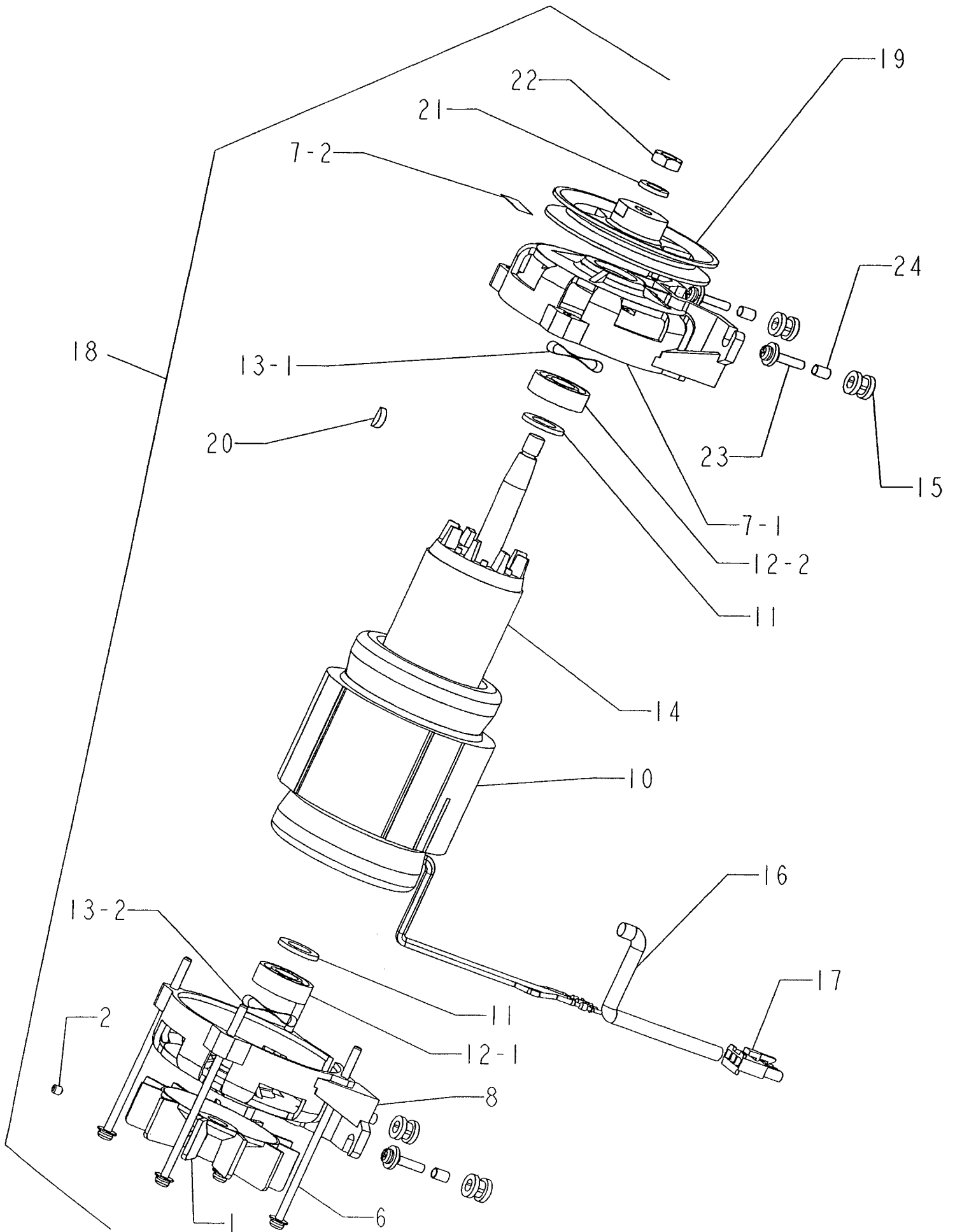
TABLE DES MATIERES

| | |
|---|----|
| A . Mécanisme du moteur | 1 |
| B . Couvercle de sécurité | 3 |
| C . Mécanisme du boîtier de contrôle (1) | 5 |
| D . Mécanisme du boîtier de contrôle (2) | 7 |
| E . Boîtier d'interrupteurs (1) | 9 |
| F . Boîtier d'interrupteurs (2) | 11 |
| G . Capteur de bord de tissu relatif (en option) (1) | 13 |
| H . Capteur de bord de tissu relatif (en option) (2) | 14 |
| I . Pédale pour opération en station debout | 15 |
| J . Synchronisateur | 17 |
| LISTE DES PIECES ACCESSOIRES | 18 |
| INDEX | 21 |

INDICE

| | |
|---|----|
| A . Mecanismo del motor | 1 |
| B . Cubierta de seguridad | 3 |
| C . Mecanismo de la caja de controles (1) | 5 |
| D . Mecanismo de la caja de controles (2) | 7 |
| E . Caja de interruptores (1) | 9 |
| F . Caja de interruptores (2) | 11 |
| G . Piezas relacionadas al detector de borde de tejidos (opcional) (1) | 13 |
| H . Piezas relacionadas al detector de borde de tejidos (opcional) (2) | 14 |
| I . Pedal para operar de pie | 15 |
| J . Sincronizador | 17 |
| LISTA DE PIEZAS ACCESORIAS | 18 |
| INDICE | 21 |

A. Motor mechanism / Motors /
Mécanisme du moteur / Mecanismo del motors



| REF. NO. | CODE | Q'TY | NAME OF PARTS | REF. NO. | CODE | Q'TY | NAME OF PARTS |
|----------|------------|------|--------------------|----------|------------|------|---------------------|
| 1 | J02525-001 | 1 | MOTOR FAN | 14 | * | 1 | ROTOR |
| 2 | 014500-632 | 1 | SCREW 5X6 | 15 | J02991-001 | 4 | RUBBER WASHER, INV |
| 6 | * | 4 | SCREW 5XL | 16 | J02563-001 | 1 | TUBE 8X0.25X200 |
| 7-1 | J03333-001 | 1 | MOTOR BRACKET | 17 | J02560-001 | 1 | 3P PLUG 3191-03R1BL |
| 7-2 | --- | 1 | NAME PLATE | 18 | * | 1 | INV MOTOR ASSY |
| 8 | * | 1 | MOTOR BRACKET | 19 | * | 1 | TAPER PULLEY |
| 10 | * | 1 | STATOR ASSY | 20 | 216205-000 | 1 | KEY 4X13#2 |
| 11 | J02997-001 | 2 | WASHER 2.6X15X26ST | 21 | 028100-246 | 1 | SPRING WASHER 2-10 |
| 12-1 | 076202-801 | 1 | BEARING 6202ZZ #2 | 22 | J02493-001 | 1 | NUT 3-10X1.0 |
| 12-2 | * | 1 | BEARING 6202 | 23 | J02992-001 | 4 | SCREW 5X25DC |
| 13-1 | * | 1 | WAVE WASHER | 24 | J02989-001 | 4 | COLLAR 5.1X0.6X9 |
| 13-2 | * | 1 | WAVE WASHER | | | | |

DIFFERENT PARTS LIST (for B737 etc , LOCK)

| REF. NO. | NAME OF PARTS | MD-601 , MD-611 110V~240V | | MD-611 380V~415V | |
|----------|-------------------|------------------------------|------------|---------------------|------------|
| | | B737 etc | LOCK | B737 etc | LOCK |
| 6 | SCREW 5X110DB | J02537-001 | | | |
| 8 | MOTOR BRACKET | J03314-001 | | | |
| 10 | STATOR ASSY | J80654-001 | J80654-002 | J80656-001 | J80656-002 |
| 12-2 | BEARING 6202ZZ #2 | 076202-801 | | | |
| 13-1 | WAVE WASHER | 203684-001 | | | |
| 13-2 | WAVE WASHER | --- | | | |
| 14 | ROTOR | J02518-001 | | | |
| 18 | INV MOTOR ASSY | J80643-001 | J80643-002 | J80652-001 | J80652-002 |
| | 90 | J02278-001 | --- | J02278-001 | --- |
| 19 | TAPER PULLEY 105 | J02281-001 | | | |

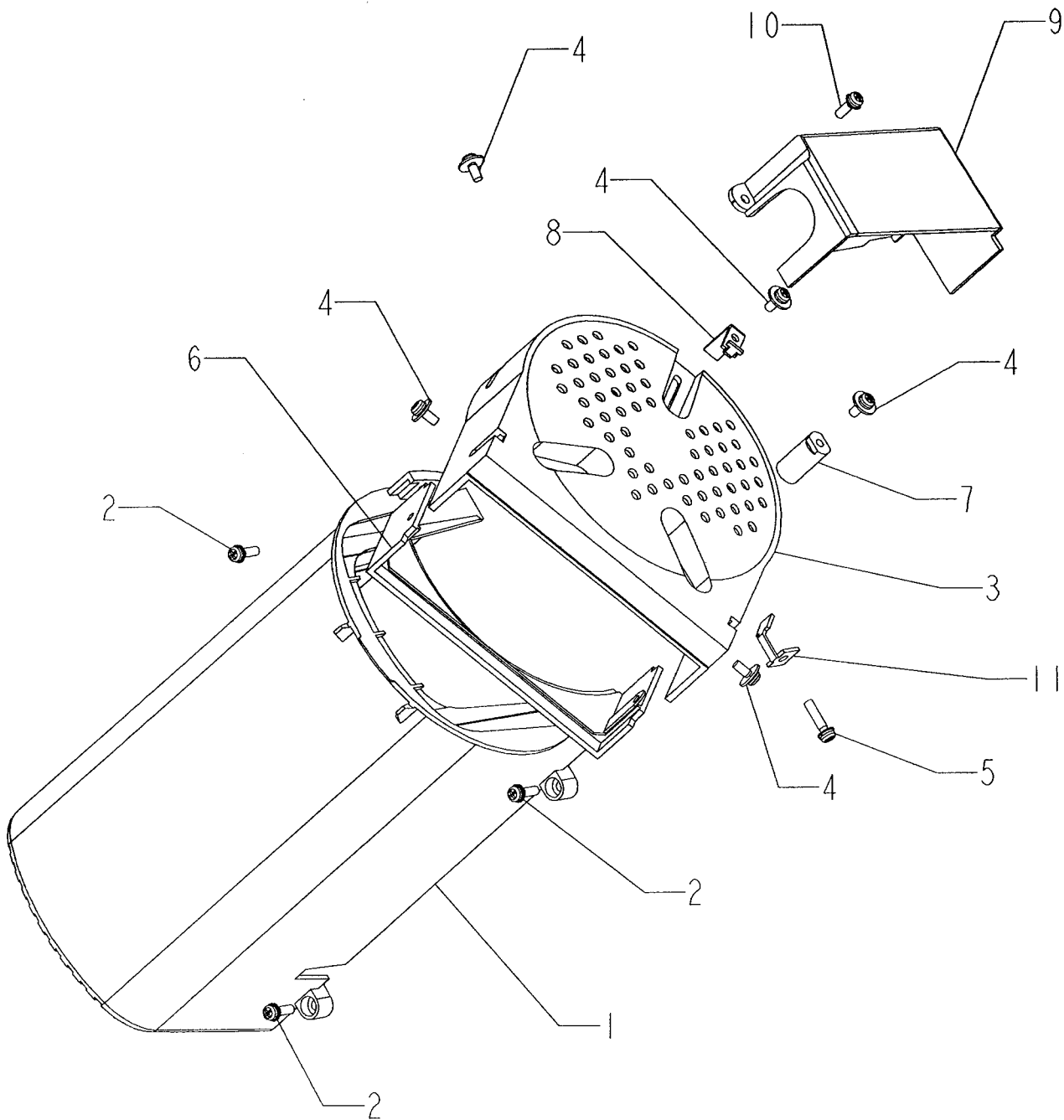
DIFFERENT PARTS LIST (for B891 , B256 etc)

| REF. NO. | NAME OF PARTS | MD-601 , MD-611 110V~240V | | MD-611 380V~415V | |
|----------|------------------|------------------------------|------------|---------------------|------------|
| | | B891 | B256 etc | B891 | B256 etc |
| 6 | SCREW 5X130DB | J02538-001 | | | |
| 8 | MOTOR BRACKET | J03314-001 | | | |
| 10 | STATOR ASSY | J80655-001 | J80655-002 | J80657-001 | J80657-002 |
| 12-2 | BEARING 6202VV | J00715-001 | | | |
| 13-1 | WAVE WASHER | --- | | | |
| 13-2 | WAVE WASHER | 203684-001 | | | |
| 14 | ROTOR | J02521-001 | | | |
| 18 | INV MOTOR ASSY | J80644-001 | J80644-002 | J80653-001 | J80653-002 |
| | 80 | J02276-001 | --- | J02276-001 | --- |
| 19 | TAPER PULLEY 105 | --- | J02281-001 | --- | J02281-001 |

DIFFERENT PARTS LIST (for B883 , C51 , P73 , P81 , B776 , B722/4 , B877/8)

| REF. NO. | NAME OF PARTS | MD-601 , MD-611 110V~240V | | MD-611 380V~415V | |
|----------|-------------------|------------------------------|--|---------------------|--|
| | | | | | |
| 6 | SCREW 5X110DB | J02537-001 | | | |
| 8 | MOTOR BRACKET | J03314-001 | | | |
| 10 | STATOR ASSY | J80654-001 | | J80656-001 | |
| 12-2 | BEARING 6202ZZ #2 | 076202-801 | | | |
| 13-1 | WAVE WASHER | 203684-001 | | | |
| 13-2 | WAVE WASHER | --- | | | |
| 14 | ROTOR | J02518-001 | | | |
| 18 | INV MOTOR ASSY | J80643-001 | | J80652-001 | |
| 19 | TAPER PULLEY 90 | J02278-001 | | | |

B. Safety cover / Sicherheitsdeckung /
Couvercle de sécurité / Cubierta de seguridad



| REF. NO. | CODE | Q' TY | NAME OF PARTS | REF. NO. | CODE | Q' TY | NAME OF PARTS |
|----------|------------|-------|----------------|----------|------------|-------|--------------------|
| 1 | J02513-001 | 1 | MOTOR COVER | 7 | J02293-001 | 1 | FINGER GUARD |
| 2 | J00494-001 | 3 | SCREW 4X14DA | 8 | J00351-001 | 1 | BELT CLAMP PLATE 2 |
| 3 | J02515-001 | 1 | BELT COVER | 9 | J02508-001 | 1 | D-CORD COVER |
| 4 | 224508-001 | 5 | SCREW 4X10DC | 10 | 215082-001 | 1 | SCREW 4X12DA |
| 5 | * | 1 | SCREW 4XL | 11 | * | 1 | BELT COVER STOPPER |
| 6 | J02516-001 | 1 | BELT SUB COVER | | | | |

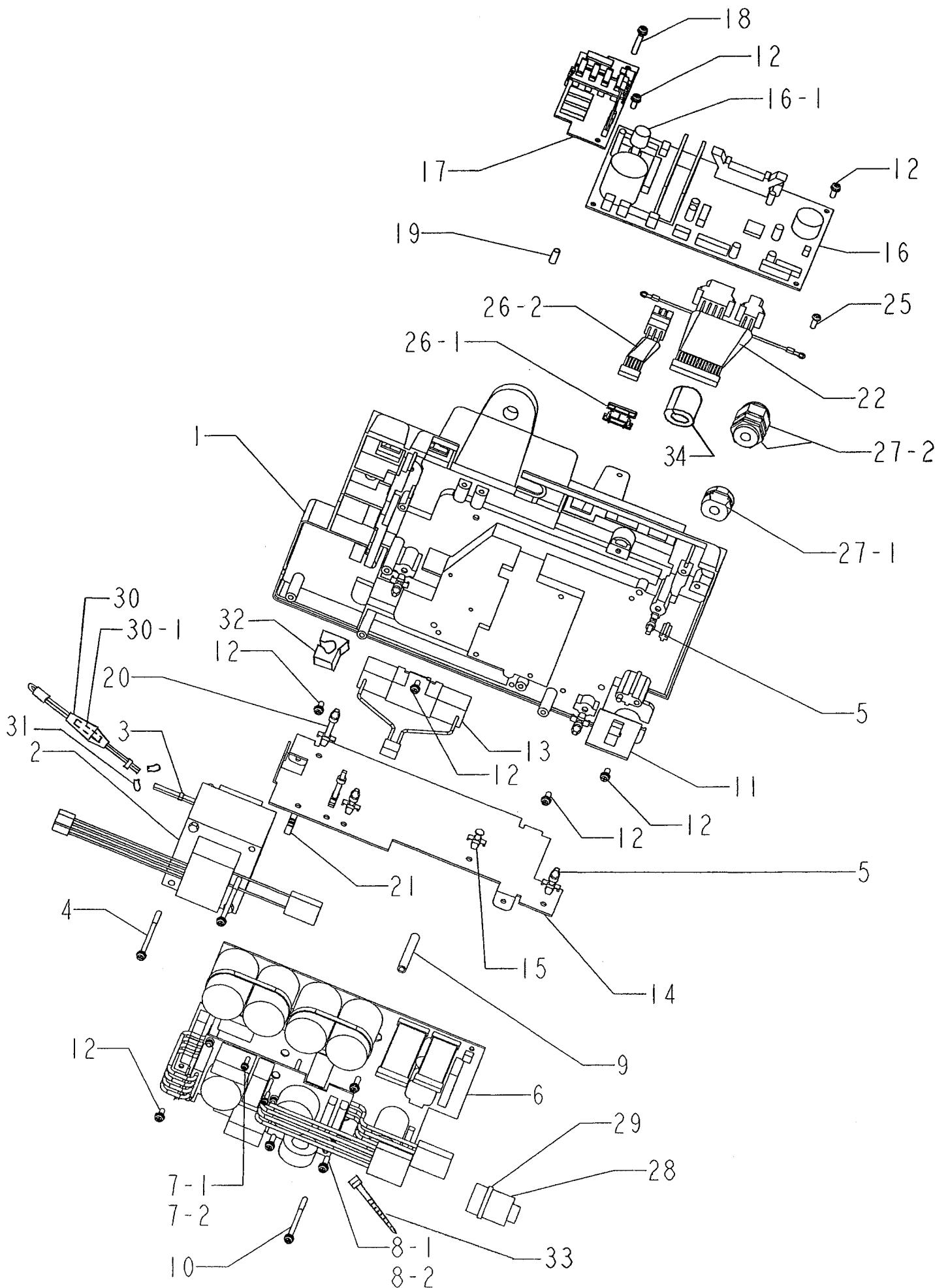
DIFFERENT PARTS LIST (for B737 etc . LOCK , B883 , C51 , P73 , P81 , B776 , B891 , B722/4 , B877/8)

| REF. NO. | NAME OF PARTS | CODE |
|----------|--------------------|------------|
| 5 | SCREW 4X18DA | 217071-001 |
| 11 | BELT COVER STOPPER | --- |

DIFFERENT PARTS LIST (for B256 etc)

| REF. NO. | NAME OF PARTS | CODE |
|----------|--------------------|------------|
| 5 | SCREW 4X10DC | 224508-001 |
| 11 | BELT COVER STOPPER | J03039-001 |

C. Control box (1) / Schaltkasten (1) / Mécanisme du boîtier de contrôle (1) / Mecanismo de la caja de controles (1)



| REF. NO. | CODE | Q' TY | NAME OF PARTS | REF. NO. | CODE | Q' TY | NAME OF PARTS |
|----------|------------|-------|---------------------|----------|------------|-------|-----------------------|
| 1 | J02998-001 | 1 | UPPER BOX | 17 | * | 1 | IMS-ASSY-SUB |
| 2 | * | 1 | TRANSFORMER | 18 | * | 1 | SCREW 4XL |
| 3 | * | 1 | TYING BAND 2. 2X85 | 19 | * | 1 | COLLAR 4. 1X12. 5 |
| 4 | * | 2 | SCREW 4XL | 20 | * | 2 | HOLDER KGLS |
| 5 | 228295-001 | 5 | HOLDER KGLS-6S | 21 | UG4163-000 | 1 | WIRE SADOLE |
| 6 | * | 1 | IMP-ASSY | 22 | * | 1 | MAIN CONNECTOR |
| 7-1 | * | 1 | SCREW 4X14DA | 25 | 229017-001 | 1 | SCREW 4X10DA |
| 7-2 | * | 2 | SCREW 3X12DA | 26-1 | * | 1 | NBN PLUG CAP |
| 8-1 | * | 2 | SCREW 4X10DA | 26-2 | * | 1 | NBN CONNECTOR |
| 8-2 | * | 3 | SCREW 4X14DA | 27-1 | * | 1 | BUSSING SR-7K-2 |
| 9 | * | 1 | COLLAR 7X45-M4 | 27-2 | * | 1 | BUSSING JPG13. 5 |
| 10 | * | 1 | SCREW 4X55DA | 28 | * | 1 | EMC FERRITE CORE |
| 11 | * | 1 | PLUG HOLDER | 29 | * | 1 | TYING BAND 3. 5X150 |
| 12 | 229017-001 | 7 | SCREW 4X10DA | 30 | * | 1 | FUSE ASSEMBLY |
| 13 | * | 1 | RESIST. | 30-1 | * | 1 | FUSE (5A) |
| 14 | J02029-001 | 1 | CIRCUIT UNIT HOLDER | 31 | * | 2 | FLAT CONNECT TERMINAL |
| 15 | J01892-001 | 1 | HOLDER KGPS-6S | 32 | J03365-001 | 1 | MOTOR CORD CAP |
| 16 | * | 1 | IMS-ASSY | 33 | 220681-001 | 1 | TYING BAND 2. 2X85 |
| 16-1 | J01778-001 | 1 | VR CONTROL KNOB | 34 | * | 1 | EMC FERRITE CORE#2 |

DIFFERENT PARTS LIST

| REF. NO. | NAME OF PARTS | MD-601 110V | MD-601 220V-240V | MD-601 230V CE | MD-611 220V | MD-611 380V-415V | MD-611 400V CE |
|----------|--------------------|----------------|---------------------|-------------------|----------------|---------------------|-------------------|
| 2 | TRANSFORMER | J02502-001 | J02503-001 | | J02664-001 | J03127-001 | |
| 3 | TYING BAND 2. 2X85 | 220681-001 | | --- | 220681-001 | | --- |
| 4 | SCREW 4XL | | J02062-001 | | | J02514-001 | |
| 7-1 | SCREW 4X14DA(B891) | | | | --- | | |
| | (OTHER) | J00494-001 | | | --- | | |
| 7-2 | SCREW 3X12DA(B891) | | | | 0A4301-205 | | |
| | (OTHER) | --- | | | 0A4301-205 | | |
| 8-1 | SCREW 4X10DA | | 229017-001 | | | | --- |
| 8-2 | SCREW 4X14DA | | --- | | | J00494-001 | |
| 9 | COLLAR 7X45-M4 | | --- | | | J03125-001 | |
| 10 | SCREW 4X55DA | | --- | | | J02062-001 | |
| 11 | PLUG HOLDER | | J02505-001 | | | J02506-001 | |
| 13 | RESIST. | | J03288-001 | | | J02628-001 | |
| 27-1 | BUSSING SR-7K-2 | J02195-001 | | --- | J02195-001 | | --- |
| 27-2 | BUSSING JPG13. 5 | --- | | J03588-001 | --- | | J03588-001 |

DIFFERENT PARTS LIST (for B737 etc , LOCK , B883 , C51 , P73 , P81 , B722/4)

| REF. NO. | NAME OF PARTS | MD-601 110V | MD-601 220V-240V | MD-601 230VCE & 240V Australia | MD-611 220V | MD-611 380V-415V | MD-611 400V CE |
|----------|---------------|----------------|---------------------|-----------------------------------|----------------|---------------------|-------------------|
| 6 | IMP-ASSY | J80634-001 | J80635-001 | J80636-001 | J80637-001 | J80690-001 | J80691-001 |

DIFFERENT PARTS LIST (for B256 etc , B776 , B877/8)

| REF. NO. | NAME OF PARTS | MD-601 110V | MD-601 220V-240V | MD-601 230VCE & 240V Australia | MD-611 220V | MD-611 380V-415V | MD-611 400V CE |
|----------|---------------|----------------|---------------------|-----------------------------------|----------------|---------------------|-------------------|
| 6 | IMP-ASSY | J80634-001 | J80722-001 | J80724-001 | J80723-001 | J80690-001 | J80691-001 |

DIFFERENT PARTS LIST (for B891)

| REF. NO. | NAME OF PARTS | MD-601 110V | MD-601 220V-240V | MD-601 230VCE & 240V Australia | MD-611 220V | MD-611 380V-415V | MD-611 400V CE |
|----------|---------------|----------------|---------------------|-----------------------------------|----------------|---------------------|-------------------|
| 6 | IMP-ASSY | J80842-001 | J80843-001 | J80844-001 | J80845-001 | J80690-001 | J80691-001 |

DIFFERENT PARTS LIST

| REF. NO. | NAME OF PARTS | B737etc, LOCK, B883, C51, P73, P81, B722/4, B877/8 | B256 etc | B776 | B891 |
|----------|-------------------|---|------------|------------|------------|
| 16 | IMS-ASSY | J80852-001 | J80674-001 | J80762-001 | J80779-001 |
| 17 | IMS-ASSY-SUB | --- | J80675-001 | J80764-001 | J80781-001 |
| 18 | SCREW 4XL | --- | 0A4402-506 | 229017-001 | |
| 19 | COLLAR 4. 1X12. 5 | --- | J03040-001 | --- | |
| 20 | HOLDER KGLS | --- | J03041-001 | 228295-001 | |
| 22 | MAIN CONNECTOR | J02497-001 | J03053-001 | J02497-001 | J03260-001 |
| 26-1 | NBN PLUG CAP | | J02037-001 | | --- |
| 26-2 | NBN CONNECTOR | | --- | | |

DIFFERENT PARTS LIST for CE (EMC regulations)

| REF. NO. | NAME OF PARTS | Industrial environment | | | | Household environment |
|----------|---------------------|---|-------------------|-------------------|-------------------|---|
| | | B737etc, LOCK, B883, C51, P73, P81, B776, B722/4, B877/8 | | | | B737etc, LOCK, B883, C51, P73, P81, B776, B722/4, B877/8 |
| | | MD-601 230V CE | MD-611 400V CE | MD-601 230V CE | MD-611 400V CE | MD-601 230V CE |
| 28 | EMC FERRITE CORE | | | | J80631-001 | --- |
| 29 | TYING BAND 3. 5X150 | | | | J01463-001 | --- |
| 34 | EMC FERRITE CORE#2 | | | | | J80796-001 |

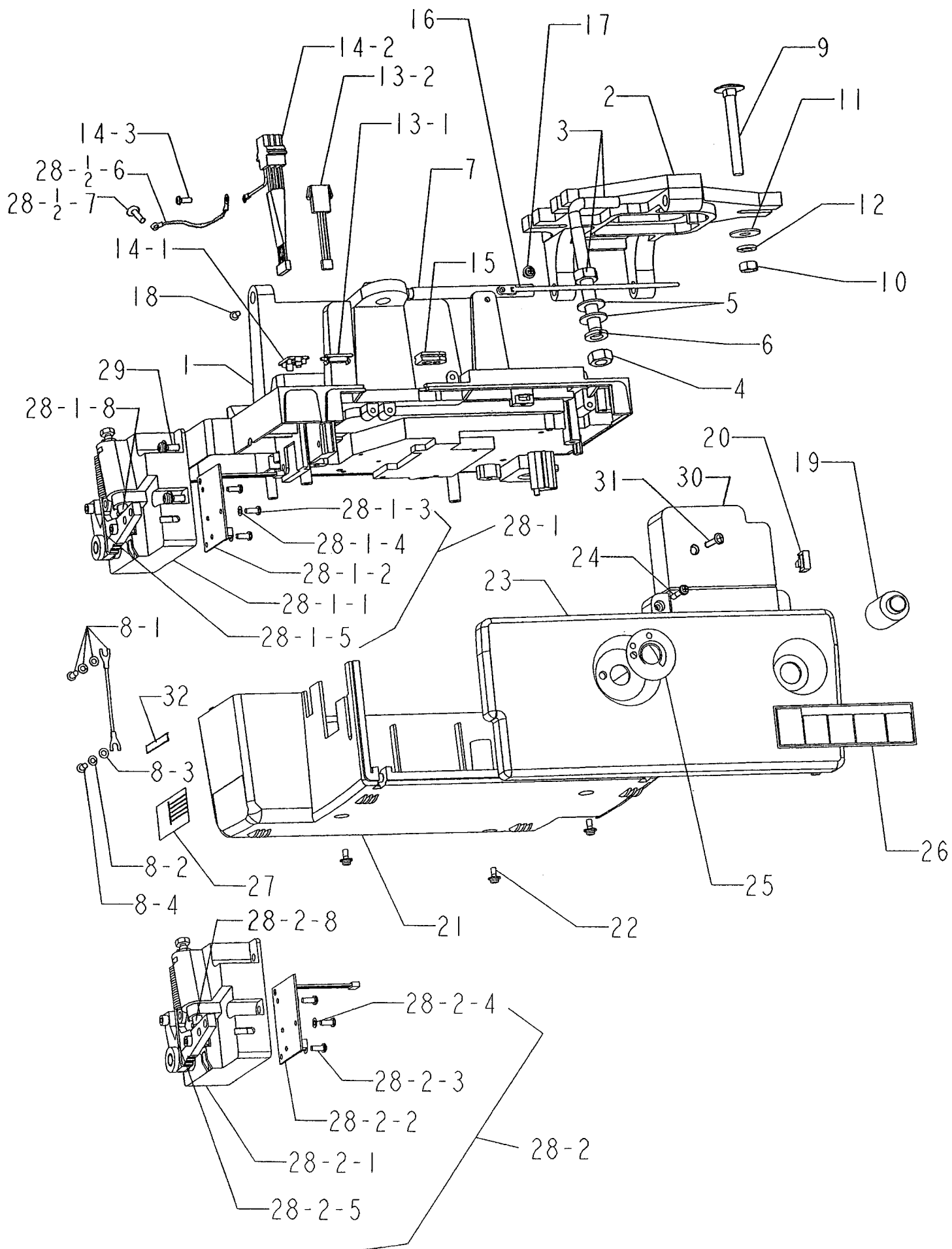
OPTION PARTS

| REF. NO. | NAME OF PARTS | for USA | OTHER |
|----------|-----------------------|------------|------------|
| 30 | FUSE ASSEMBLY | J03122-001 | J01370-001 |
| 30-1 | FUSE (5A) | 215822-000 | |
| 31 | FLAT CONNECT TERMINAL | J00074-001 | |

TRANSFORMER for USA

| REF. NO. | Q' TY | NAME OF PARTS | MD-601 110V | MD-611 220V |
|----------|-------|---------------|----------------|----------------|
| 2 | 1 | | | |
| 30 | 1 | TRANSFORMER | J03123-001 | J03124-001 |
| 31 | 2 | | | |

D. Control box (2) / Schaltkasten (2) / Mécanisme du boîtier de contrôle (2) / Mecanismo de la caja de controles (2)



| REF. NO. | CODE | Q' TY | NAME OF PARTS | REF. NO. | CODE | Q' TY | NAME OF PARTS |
|----------|------------|-------|--------------------|----------|------------|-------|----------------------|
| 1 | J02998-001 | 1 | UPPER BOX | 22 | 215081-001 | 3 | SCREW 4X10DB |
| 2 | J00107-001 | 1 | MD806 BASE #2 | 23 | * | 1 | BOX COVER |
| 3 | J03275-001 | 1 | BOLT(L) 10 ASSY V | 24 | J02568-001 | 1 | SCREW 4X25DA |
| 4 | 021100-206 | 1 | NUT 2-10 | 25 | * | 1 | VR LABEL |
| 5 | 025100-236 | 2 | PLAIN WASHER 10 | 26 | S38352-101 | 1 | WARNING LABEL |
| 6 | 028100-246 | 1 | SPRING WASHER 2-10 | 27 | --- | 1 | NAME PLATE |
| 7 | J02517-001 | 1 | PIN 9.9X116 | 28-1 | J80639-001 | 1 | TREADLE UNIT DOMES. |
| 8-1 | J02832-001 | 1 | EARTH CORD ASSY | 28-1-1 | J03413-001 | 1 | TREADLE BASE ASSY |
| 8-2 | 028040-245 | 1 | SPRING WASHER 2-4 | 28-1-2 | J80640-001 | 1 | PS CIRCUIT BOARD |
| 8-3 | 025040-173 | 1 | PLAIN WASHER 4 | 28-1-3 | 037401-015 | 3 | SCREW 4X10 |
| 8-4 | 062401-063 | 1 | SCREW 4X10 | 28-1-4 | J02130-001 | 3 | SPRING WASHER 03X4.3 |
| 9 | 222372-001 | 3 | BOLT 8X70 | 28-1-5 | J00649-001 | 1 | SPRING |
| 10 | 021080-206 | 3 | NUT 2-8 | 28-1-6 | J03417-001 | 1 | EARTH CORD ASSY |
| 11 | 025080-336 | 3 | PLAIN WASHER 8 | 28-1-7 | 229017-001 | 1 | SCREW 4X10DA |
| 12 | 028080-246 | 3 | SPRING WASHER 2-8 | 28-1-8 | 228260-001 | 1 | PRESSER BAR #3 |
| 13-1 | * | 1 | MVR PLUG CAP | 28-2 | * | 1 | TREADLE UNIT EXPORT. |
| 13-2 | * | 1 | MVR CONNECTOR | 28-2-1 | * | 1 | TREADLE BASE ASSY |
| 14-1 | * | 1 | FOOT PLUG CAP | 28-2-2 | J80640-001 | 1 | PS CIRCUIT BOARD |
| 14-2 | * | 1 | FOOT CONNECTOR | 28-2-3 | 037401-015 | 3 | SCREW 4X10 |
| 14-3 | 229017-001 | 1 | SCREW 4X10DA | 28-2-4 | J02130-001 | 3 | SPRING WASHER 03X4.3 |
| 15 | J02036-001 | 1 | CORD BUSH | 28-2-5 | J00649-001 | 1 | SPRING |
| 16 | J03033-001 | 1 | TYING BAND T30MR | 28-2-6 | J03417-001 | 1 | EARTH CORD ASSY |
| 17 | 215081-001 | 1 | SCREW 4X10DB | 28-2-7 | 229017-001 | 1 | SCREW 4X10DA |
| 18 | 002400-806 | 1 | SCREW 4X8 | 28-2-8 | 228260-001 | 1 | PRESSER BAR #3 |
| 19 | * | 1 | EMC FERRITE CORE | 29 | J00353-001 | 3 | SCREW 5X14DB |
| 20 | * | 1 | WIRE SADOLE | 30 | * | 1 | BOX COVER-S |
| 21 | J02027-001 | 1 | LOWER BOX | 31 | * | 1 | SCREW 4X25DA |
| | | | | 32 | * | 1 | LABEL C-TICK |

DIFFERENT PARTS LIST

| REF. NO. | NAME OF PARTS | B737etc, LOCK, B883, C51, P73, P81, B776, B722/4, B877/8 | | B256 etc | B891 |
|----------|---------------|--|------------|------------|------------|
| | | STANDARD | for Canada | | |
| 20 | WIRE SADOLE | --- | --- | UG4163-000 | --- |
| 23 | BOX COVER | J02028-001 | J02955-001 | J03044-001 | J02955-001 |
| 25 | VR LABEL | J02501-001 | | J03045-001 | J02501-001 |
| 30 | BOX COVER-S | --- | | --- | J03316-001 |
| 31 | SCREW 4X25DA | --- | | --- | J02568-001 |

(for H. K. J02501-002)

DIFFERENT PARTS LIST

| REF. NO. | NAME OF PARTS | for Australia | OTHER |
|----------|---------------|---------------|-------|
| 32 | LABEL C-TICK | UF8582-001 | --- |

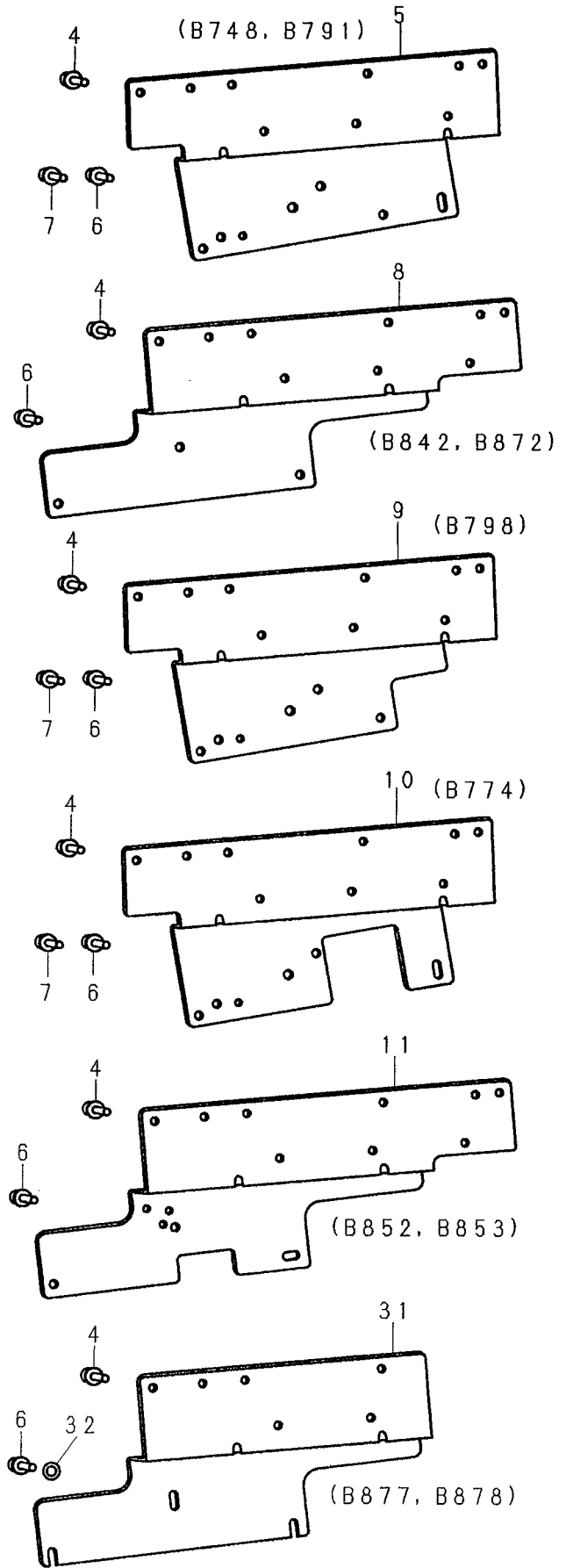
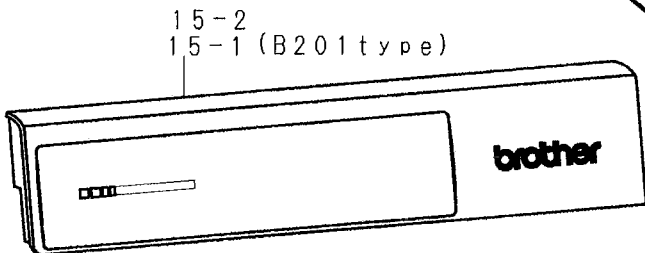
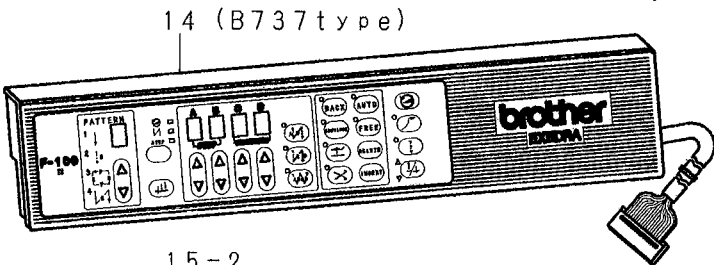
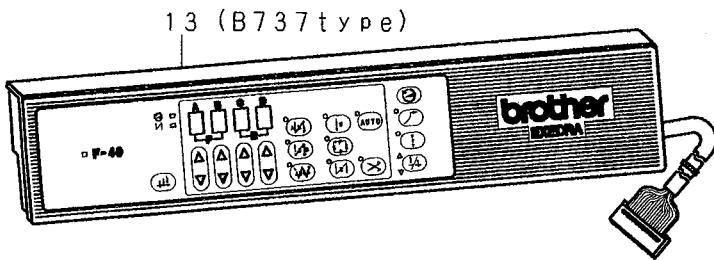
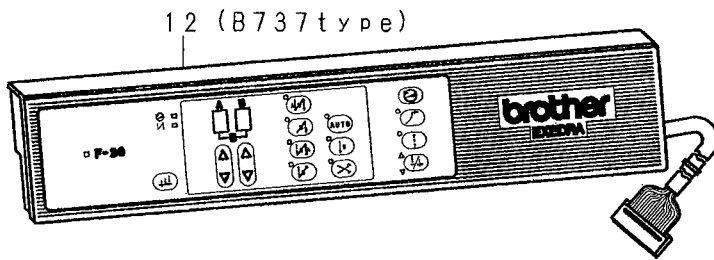
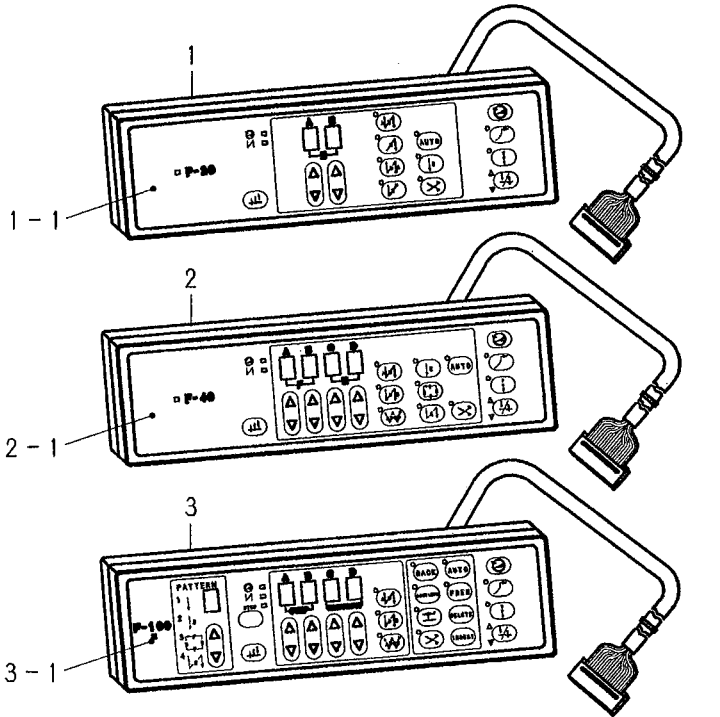
DIFFERENT PARTS LIST

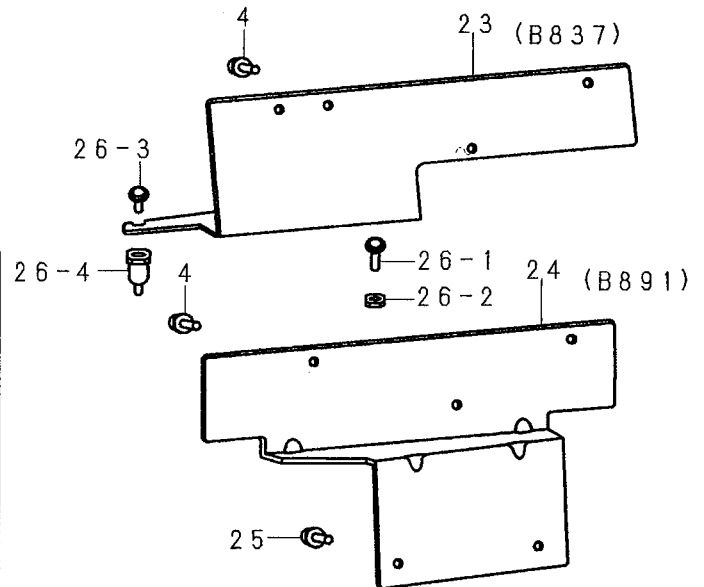
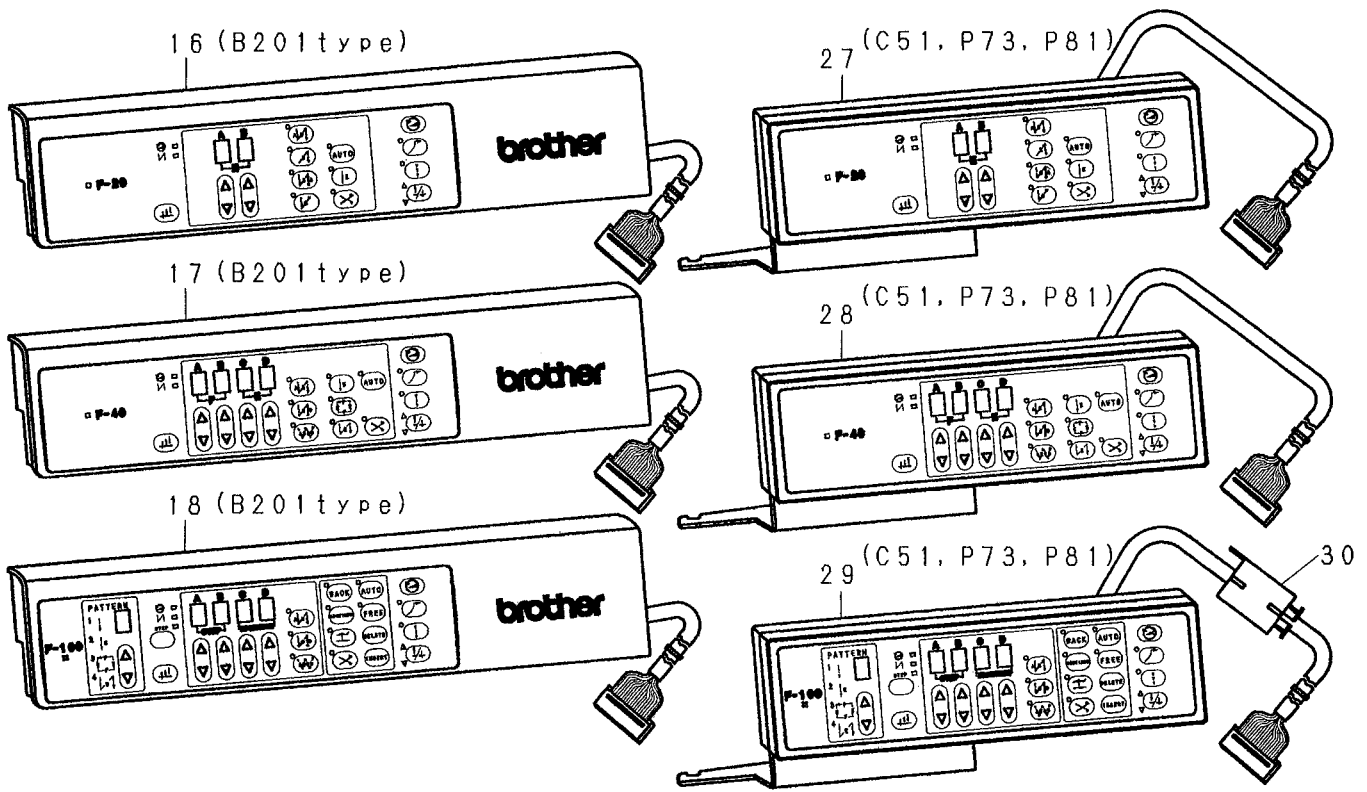
| REF. NO. | NAME OF PARTS | for Hong Kong | OTHER |
|----------|----------------------|---------------|------------|
| 28-2 | TREADLE UNIT EXPORT. | J80857-001 | J80638-001 |
| 28-2-1 | TREADLE BASE ASSY | J03593-001 | J03419-001 |

DIFFERENT PARTS LIST for CE (EMC regulations)

| REF. NO. | NAME OF PARTS | Industrial environment | | | | Household environment |
|----------|------------------|--|-------------------|-----------------------------------|-------------------|--|
| | | B737etc, LOCK, B883, C51, P73, P81, B776, B722/4, B877/8 | | B256 etc, B891 | | B737etc, LOCK, B883, C51, P73, P81, B776, B722/4, B877/8 |
| | | MD-601 230V CE | MD-611 400V CE | MD-601 230VCE & 240V Australia | MD-611 400V CE | MD-601 230V CE |
| 19 | EMC FERRITE CORE | --- | --- | J80631-001 | --- | |

E. Operation panel, switch box mechanism (1) / Schaltkasten (1) /
Boîtier d'interrupteurs (1) / Caja de interruptores (1)





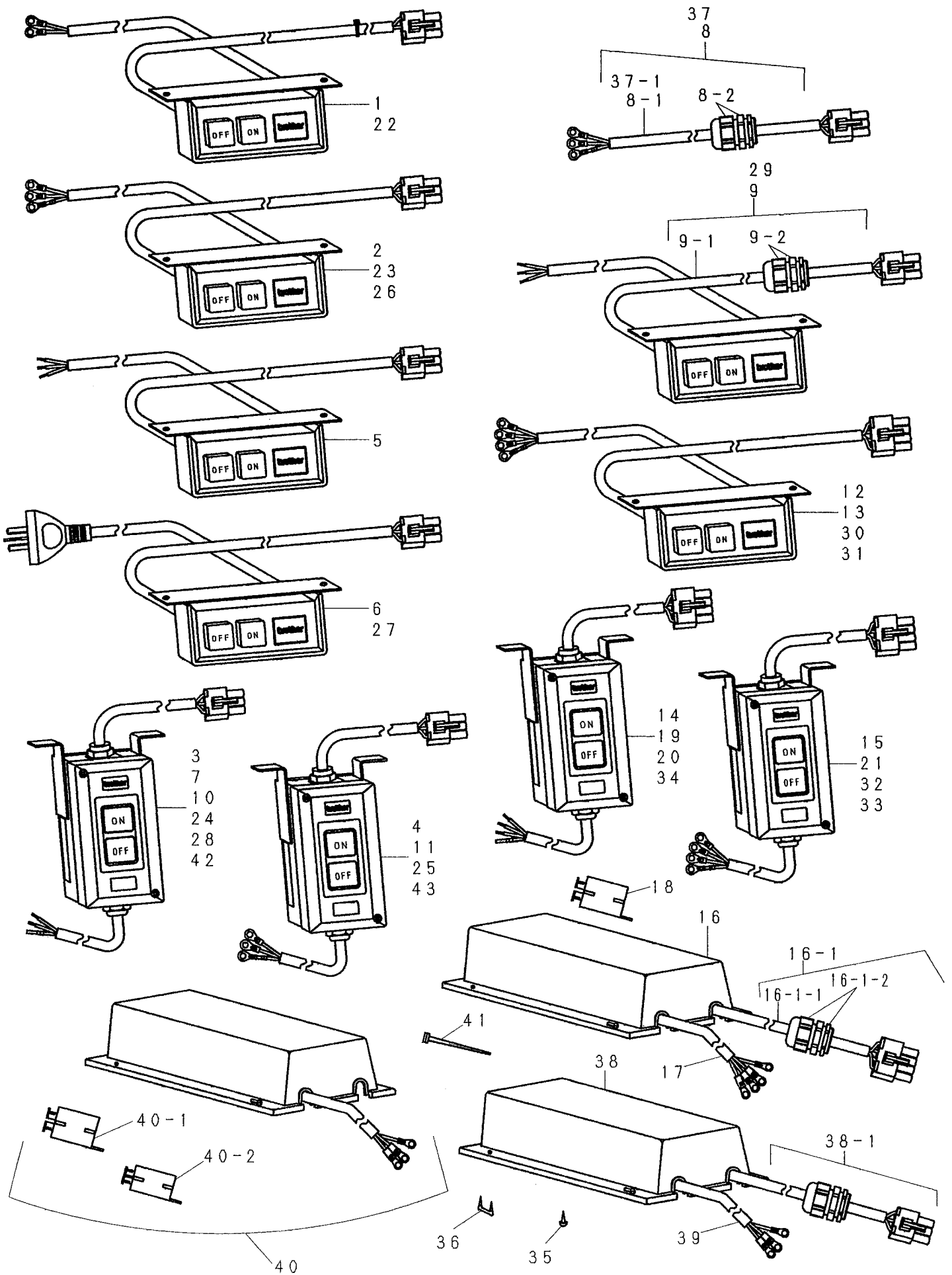
| REF. NO. | CODE | Q'TY | NAME OF PARTS |
|----------|--------------|------|-------------------------|
| 1 | 137207-71110 | 1 | F-20 OPERATION PANEL |
| 1-1 | J01990-001 | 1 | F-20 PANEL PLATE |
| 2 | 137207-71210 | 1 | F-40 OPERATION PANEL |
| 2-1 | J01989-001 | 1 | F-40 PANEL PLATE |
| 3 | 137207-71310 | 1 | F-100 OPERATION PANEL |
| 3-1 | J01988-001 | 1 | F-100 PANEL PLATE |
| 4 | 215081-002 | 3 | SCREW 4X10DB |
| 5 | J02058-001 | 1 | HB-SETTING PLATE#F1 |
| 6 | 062681-212 | 3 | SCREW 437-40X12 |
| 7 | 062671-212 | 3 | SCREW 357-40X12 |
| 8 | J02059-001 | 1 | HB-SETTING PLATE#F3 |
| 9 | J02054-001 | 1 | HB-SETTING PLATE#F1-2 |
| 10 | J02566-001 | 1 | HB-SETTING PLATE#F2 |
| 11 | J02567-001 | 1 | HB-SETTING PLATE#F5 |
| 12 | 137207-71111 | 1 | F-20 OPERATION PANEL |
| 13 | 137207-71211 | 1 | F-40 OPERATION PANEL |
| 14 | 137207-71311 | 1 | F-100 OPERATION PANEL |
| 15-1 | J80633-001 | 1 | BF-0 OPERATION PANEL |
| 15-2 | J80899-001 | 1 | BF-0 OPERATION PANEL TR |
| 16 | 137207-81111 | 1 | BF-20 OPERATION PANEL |
| 17 | 137207-81211 | 1 | BF-40 OPERATION PANEL |
| 18 | 137207-81311 | 1 | BF-100 OPERATION PANEL |
| 23 | J02061-001 | 1 | HB-SETTING PLATE#F6 |
| 24 | J03278-001 | 1 | HB-SETTING PLATE#F7 |

| REF. NO. | CODE | Q'TY | NAME OF PARTS |
|----------|--------------|------|--------------------------|
| 25 | 215082-003 | 2 | SCREW 4X12DA |
| 26-1 | 062401-605 | 1 | SCREW 4X16 |
| 26-2 | 021400-205 | 1 | NUT 2-4 |
| 26-3 | 224508-001 | 2 | SCREW 4X10DC |
| 26-4 | --- | 2 | STUD SM4. 37X29 |
| 27 | 137207-71112 | 1 | F-20 OPERATION PANEL SE |
| 28 | 137207-71212 | 1 | F-40 OPERATION PANEL SE |
| 29 | 137207-71312 | 1 | F-100 OPERATION PANEL SE |
| 30 | J80631-001 | 1 | EMC FERRITE CORE |
| 31 | J03555-001 | 1 | HB-SETTING PLATE#F3-2 |
| 32 | 025680-232 | 3 | PLAIN WASHER 4. 37 |

DIFFERENT PARTS LIST for CE (EMC regulations)

| REF. NO. | CODE | Industrial environment | Household environment |
|----------|------------|--|-----------------------|
| | | B737etc, LOCK, B883, C51, P73 . P81, B776, B722/4, B877/8 | B256 etc, B891 |
| | | 1-230VCE, 3-400VCE | 1-230VCE |
| 30 | J80631-001 | Not necessary | Necessary |

F. Operation panel, switch box mechanism (2) / Schaltkasten (2) /
Boîtier d'interrupteurs (2) / Caja de interruptores (2)

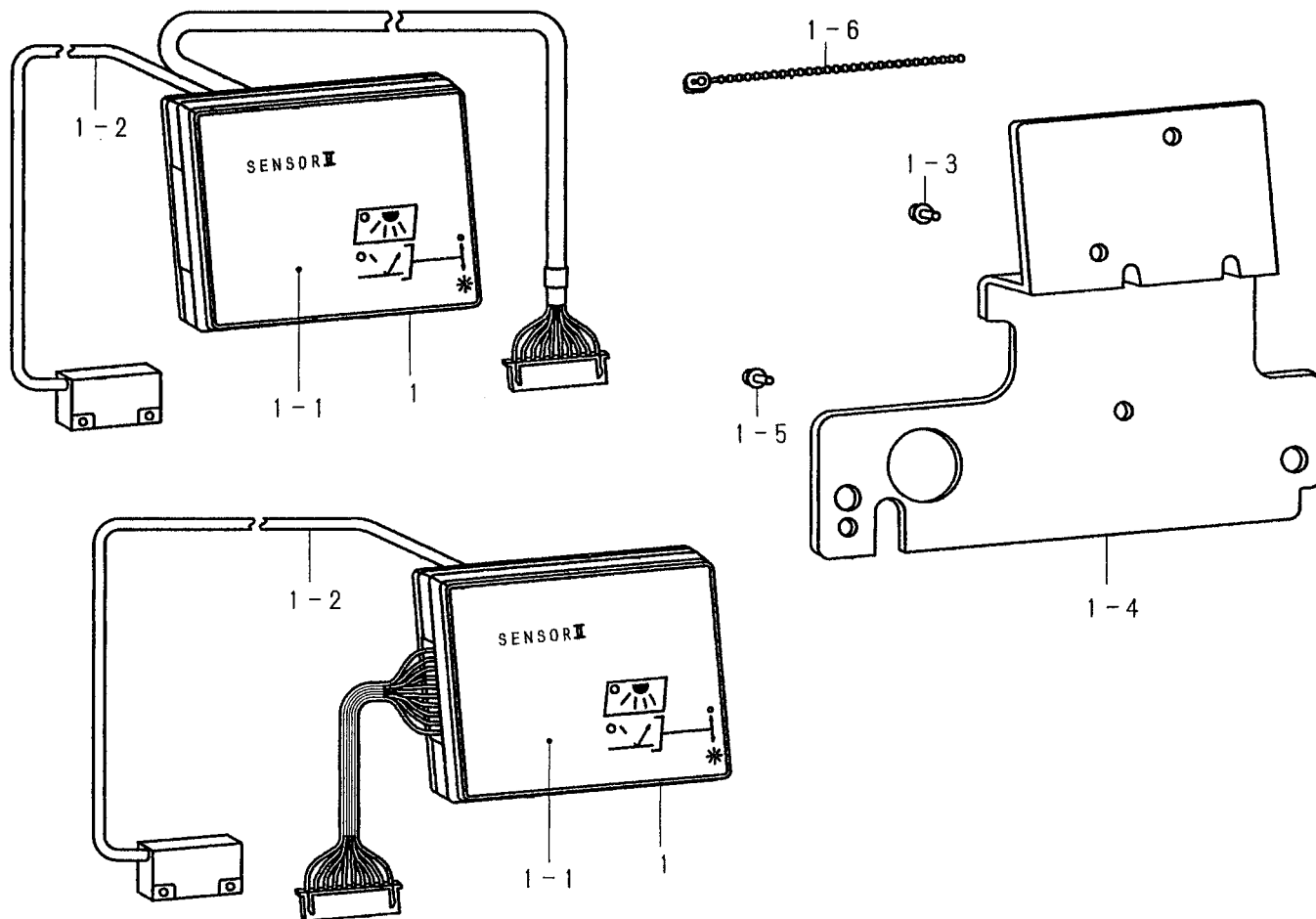


| REF. NO. | CODE | Q' TY | NAME OF PARTS | VOLTAGE , TYPE |
|----------|------------|-------|--------------------------|--|
| 1 | 229240-001 | 1 | 2PSWITCH ASSEMBLY#19-3 | 1-110 V |
| 2 | 230542-001 | 1 | 2PSWITCH ASSEMBLY#19-4 | 1-110 V , SJT (Canada) |
| 3 | J02045-001 | 1 | 2PSWITCH ASSEMBLY#24 | 1-110 V , OCR (USA) |
| 4 | 237272-001 | 1 | 2PSWITCH ASSEMBLY#16-3 | 1-110 V , SJT OCR (Canada) |
| 5 | J01244-001 | 1 | 2PSWITCH ASSEMBLY#31-2 | 1-220 V ~ 240 V |
| 6 | 236127-001 | 1 | 2PSWITCH ASSEMBLY#19-7 | 1-240 V , SAA (Australia, New Zealand) |
| 7 | J02046-001 | 1 | 2PSWITCH ASSEMBLY#25 | 1-220 V , OCR |
| 8 | J03134-001 | 1 | 3P PLUG ASSEMBLY#10K32 | 1-230 V , CE (Europe) |
| 8-1 | J02302-001 | 1 | 3P PLUG ASSEMBLY#10-32 | |
| 8-2 | J03588-001 | 1 | BUSSING JPG13. 5 | |
| 9 | J03238-001 | 1 | 2PSWITCH ASSEMBLY#31K2 | 1-230 V (Greece) |
| 9-1 | J01244-001 | 1 | 2PSWITCH ASSEMBLY#31-2 | |
| 9-2 | J03588-001 | 1 | BUSSING JPG13. 5 | |
| 10 | J03239-001 | 1 | 2PSWITCH ASSEMBLY IN#1-1 | COV 1-110 V , OCR (USA) |
| 11 | J03241-001 | 1 | 2PSWITCH ASSEMBLY IN#1-2 | COV 1-110 V , SJT OCR (Canada) |
| 12 | 229250-001 | 1 | 3PSWITCH ASSEMBLY#11-7 | 3-220 V ~ 415 V |
| 13 | 230545-001 | 1 | 3PSWITCH ASSEMBLY#11-8 | 3-220 V , SJT (Canada) |
| 14 | J02047-001 | 1 | 3PSWITCH ASSEMBLY#15 | 3-220 V , OCR (USA) |
| 15 | 237273-001 | 1 | 3PSWITCH ASSEMBLY#9-16 | 3-220 V , SJT OCR (Canada) |
| 16 | J80727-001 | 1 | EMC BOX ASSEMBLY#3 | 3-400 V , CE (Europe) |
| 16-1 | J03135-001 | 1 | 4P PLUG ASSEMBLY#11K | |
| 16-1-1 | 228272-001 | 1 | 4P PLUG ASSEMBLY#11 | |
| 16-1-2 | J03588-001 | 1 | BUSSING JPG13. 5 | |
| 17 | J02678-001 | 1 | ELECTRIC SUPPLY CORD#5 | 3-400 V , CE (Europe) |
| 18 | J80631-001 | 1 | EMC FERRITE CORE | 3-400 V , CE (Europe) |
| 19 | J03245-001 | 1 | 3PSWITCH ASSEMBLY IN#3-3 | 3-380 V , OCR (South Africa) |
| 20 | J03240-001 | 1 | 3PSWITCH ASSEMBLY IN#3-1 | COV 3-220 V , OCR (USA) |
| 21 | J03242-001 | 1 | 3PSWITCH ASSEMBLY IN#3-2 | COV 3-220 V , SJT OCR (Canada) |
| 22 | J00452-001 | 1 | 2PSWITCH ASSEMBLY#19-23 | B883 1-110 V |
| 23 | J00455-001 | 1 | 2PSWITCH ASSEMBLY#19-24 | B883 1-110 V , SJT (Canada) |
| 24 | J00453-001 | 1 | 2PSWITCH ASSEMBLY#16-12 | B883 1-110 V , OCR (USA) |
| 25 | J00457-001 | 1 | 2PSWITCH ASSEMBLY#16-23 | B883 1-110 V , SJT OCR (Canada) |
| 26 | J00460-001 | 1 | 2PSWITCH ASSEMBLY#19-22 | B883 1-220 V ~ 240 V |
| 27 | J00464-001 | 1 | 2PSWITCH ASSEMBLY#19-27 | B883 1-240 V , SAA (Australia) |
| 28 | J00462-001 | 1 | 2PSWITCH ASSEMBLY#22-11 | B883 1-220 V , OCR |
| 29 | J03247-001 | 1 | 2PSWITCH ASSEMBLY#31L2 | B883 1-230 V (Greece) |
| 30 | J00470-001 | 1 | 3PSWITCH ASSEMBLY#11-17 | B883 3-220 V ~ 415 V |
| 31 | J00473-001 | 1 | 3PSWITCH ASSEMBLY#11-18 | B883 3-220 V , SJT (Canada) |
| 32 | J02432-001 | 1 | 3PSWITCH ASSEMBLY#15-21 | B883 3-220 V , OCR (USA) |
| 33 | J00477-001 | 1 | 3PSWITCH ASSEMBLY#9-26 | B883 3-220 V , SJT OCR (Canada) |
| 34 | J03246-001 | 1 | 3PSWITCH ASSEMBLY IN#3-4 | B883 3-380 V , OCR (South Africa) |
| 35 | S03816-001 | 2 | SCREW 4. 5X16 | |
| 36 | 200190-001 | 5 | STEPLE | |
| 37 | J03313-001 | 1 | 3P PLUG ASSEMBLY#10K22 | B883 1-230 V , CE (Europe) |
| 37-1 | J00461-001 | 1 | 3P PLUG ASSEMBLY#10-22 | |
| 38 | J80783-001 | 1 | EMC BOX ASSEMBLY#4 | 1-230 V , CE (Europe) |
| 38-1 | J03134-001 | 1 | 3P PLUG ASSEMBLY#10K32 | |
| 39 | J02679-001 | 1 | ELECTRIC SUPPLY CORD | 1-230 V , CE (Europe) |
| 40 | J80795-001 | 1 | EMC BOX + EMC CORE SET | 1-230 V , CE (Europe) |
| 40-1 | J80631-001 | 3 | EMC FERRITE CORE | |
| 40-2 | J80796-001 | 1 | EMC FERRITE CORE #2 | |
| 41 | 220681-001 | 1 | TYING BAND 2. 2X85 | CE (Europe) |
| 42 | J03392-001 | 1 | 2PSWITCH ASSEMBLY IN#1-3 | COV 1-220 V , OCR |
| 43 | J03393-001 | 1 | 2PSWITCH ASSEMBLY IN#1-4 | COV 1-220 V , SJT OCR |

DIFFERENT PARTS LIST for CE (EMC regulations)

| REF. NO. | NAME OF PARTS | Industrial environment | | | | Household environment |
|----------|----------------------|--|------------|------------|------------|--|
| | | B737etc, LOCK, C51, P73, P81, B722/4, B877/8, B776, B256, B891 | | B883 | | B737etc, LOCK, B883, C51, P73, P81, B722/4, B877/8, B776 |
| | | 1-230V CE | 3-400V CE | 1-230V CE | 3-400V CE | 1-230V CE |
| 8 | 3P PLUG ASSY#10K32 | J03134-001 | --- | --- | --- | --- |
| 16 | EMC BOX ASSEMBLY#3 | --- | J80727-001 | --- | J80727-001 | --- |
| 17 | ELEC. SUPPLY CORD#5 | --- | J02678-001 | --- | J02678-001 | --- |
| 41 | TYING BAND 2. 2X85 | --- | 220681-001 | --- | 220681-001 | --- |
| 18 | EMC FERRITE CORE | --- | J80631-001 | --- | J80631-001 | --- |
| 37 | 3P PLUG ASSY#10K22 | --- | --- | J03313-001 | --- | --- |
| 38 | EMC BOX ASSEMBLY#4 | --- | --- | --- | --- | J80783-001 |
| 39 | ELECTRIC SUPPLY CORD | --- | --- | --- | --- | J02679-001 |
| 41 | TYING BAND 2. 2X85 | --- | --- | --- | --- | 220681-001 |
| 18 | EMC FERRITE CORE | --- | --- | --- | --- | J80631-001 |
| 18 | EMC FERRITE CORE | --- | --- | --- | --- | J80631-001 |
| 41 | TYING BAND 2. 2X85 | --- | --- | --- | --- | 220681-001 |

G. Material edge sensor related (option) (1) / Für Materialkantensensor (Sonderausstattung) (1) /
 Capteur de bord de tissu relatif (en option) (1) /
 Piezas relacionadas al detector de borde de tejidos (opcional) (1)



SENSOR 2 SET

| REF. NO. | MACHINE MODEL | S 2 (F-20 ~ F-100) | |
|----------|---------------|----------------------|------------|
| | | NAME OF PARTS | CODE |
| 1 | B737, B748A | SENSOR #2-2 | 291657-013 |
| | B748 | SENSOR #2-1 | 291659-011 |
| | TWIN NEEDLE | SENSOR #2-3 | 291674-011 |
| | B791 | SENSOR #2-4 | 291640-011 |
| | B798 | SENSOR #2-6 | 291642-011 |
| | B774 | SENSOR #2-7 | 388706-011 |
| | B722 | SENSOR #2-41 | J80793-001 |

DIFFERENT PARTS LIST

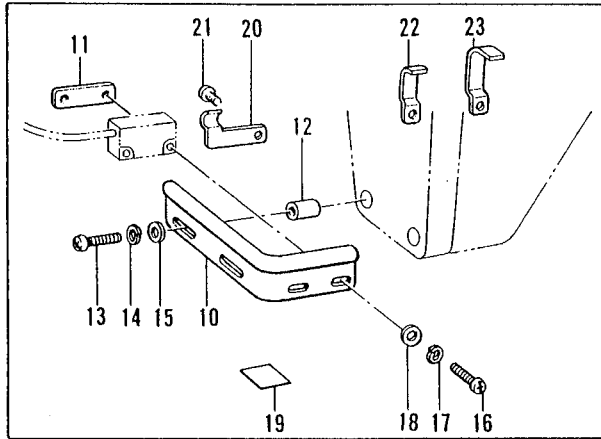
| REF. NO. | MACHINE MODEL | B722 |
|----------|-------------------|--------------|
| | NAME OF PARTS | SENSOR #2-41 |
| 1-1 | EMBLEM PLATE | 233268-002 |
| 1-2 | SENSOR CORD ASSY. | 233263-001 |
| 1-3 | SCREW 4X10DB | 215081-002 |
| 1-4 | SETTING PLATE | 237043-002 |
| 1-5 | SCREW 437-40X12 | 062681-212 |
| 1-6 | TYING BAND N-108 | 233501-001 |

DIFFERENT PARTS LIST

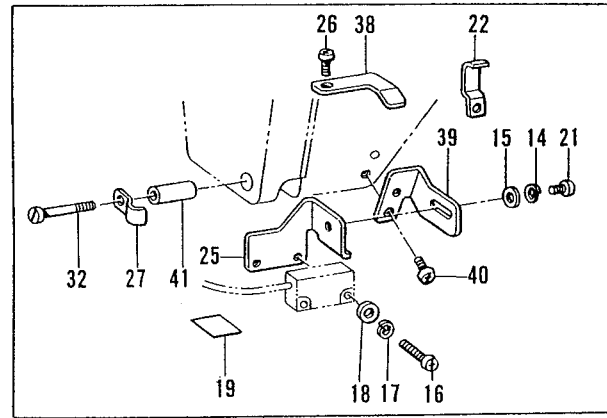
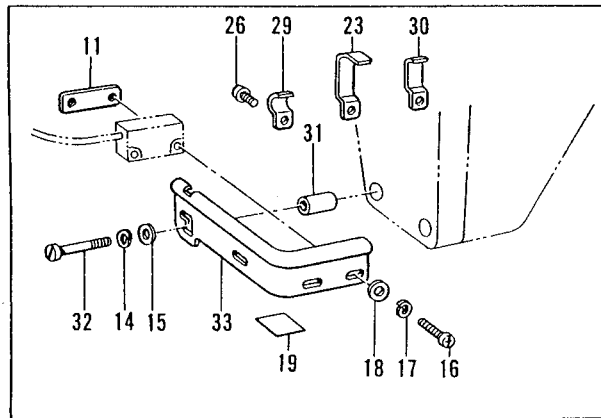
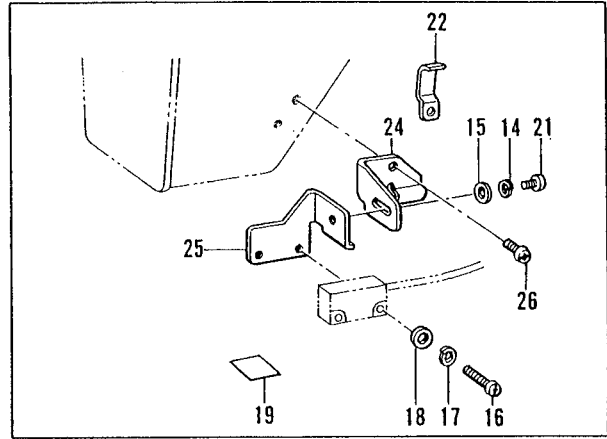
| REF. NO. | MACHINE MODEL | B737, B748A | B748 | TWIN NEEDLE | B791 | B798 | B774 |
|----------|-------------------|-------------|-------------|-------------|-------------|-------------|-------------|
| | NAME OF PARTS | SENSOR #2-2 | SENSOR #2-1 | SENSOR #2-3 | SENSOR #2-4 | SENSOR #2-6 | SENSOR #2-7 |
| 1-1 | EMBLEM PLATE | 233268-002 | | | | | |
| 1-2 | SENSOR CORD ASSY. | 233263-001 | | | 233619-001 | 233263-001 | |
| 1-3 | SCREW 4X10DB | 215081-002 | | | | | |
| 1-4 | SETTING PLATE | 237043-002 | --- | | | | |
| 1-5 | SCREW 437-40X12 | 062681-212 | --- | | | | |
| 1-6 | TYING BAND N-108 | 233501-001 | | | | | |

H. Material edge sensor related (option) (2) / Für Materialkantensensor (Sonderausstattung) (2) /
 Capteur de bord de tissu relatif (en option) (2) /
 Piezas relacionadas al detector de borde de tejidos (opcional) (2)

(B737, B748, B748A)

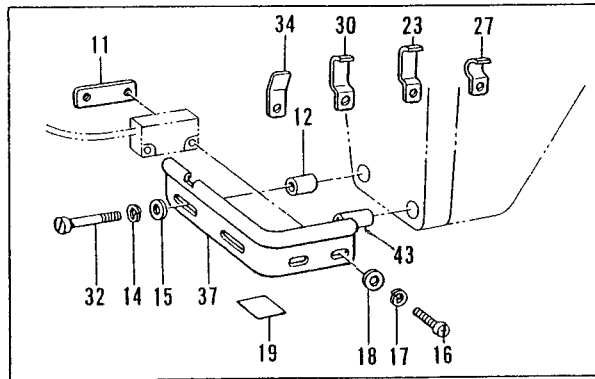


(B842, B872)



(B791, B722)

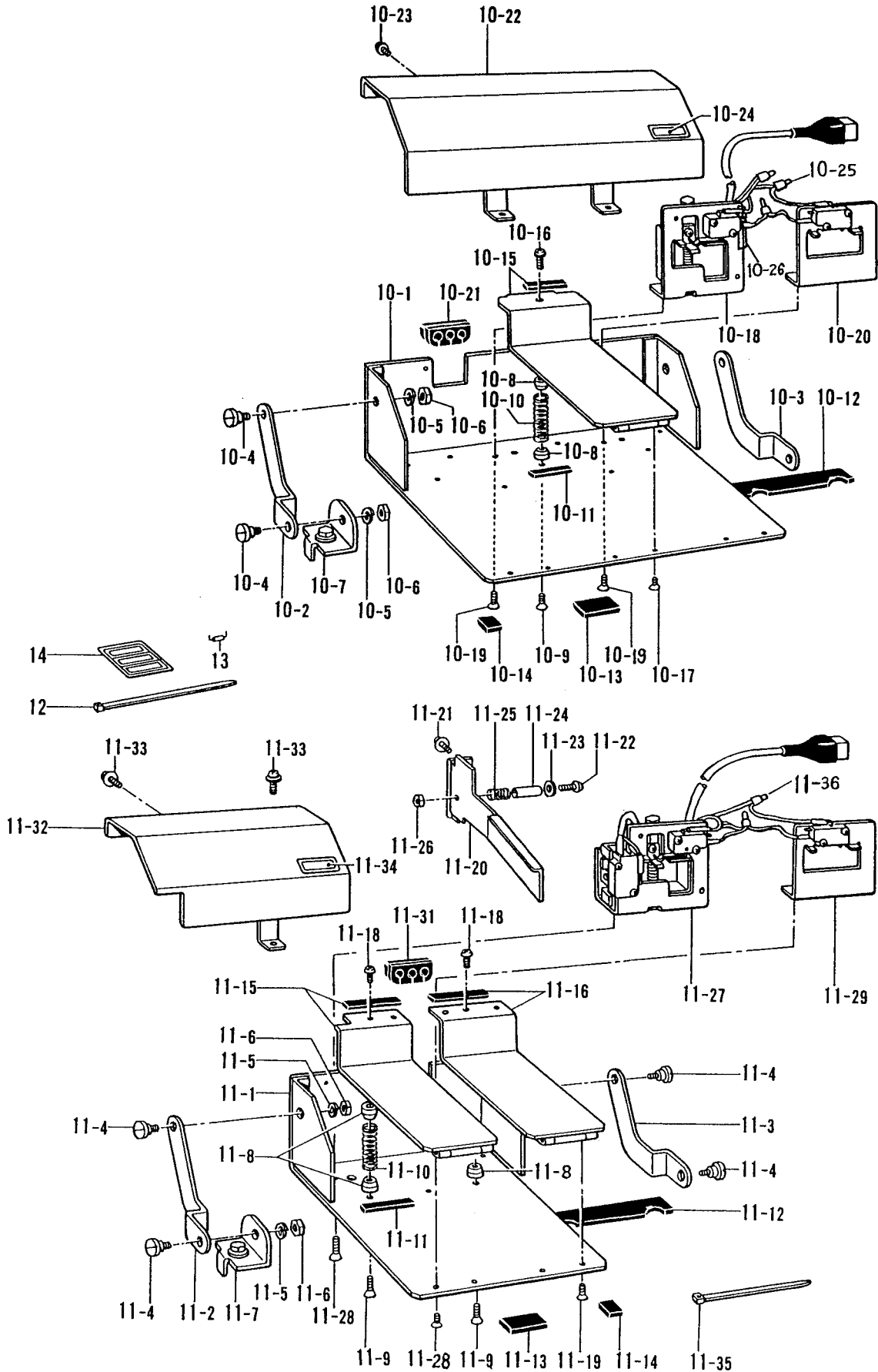
(B798)



(B774)

| REF. NO. | CODE | Q' TY | NAME OF PARTS | REF. NO. | CODE | Q' TY | NAME OF PARTS |
|----------|------------|-------|-----------------------|----------|------------|-------|-------------------------|
| 10 | 233091-002 | 1 | SENSOR PLATE | 25 | 233544-001 | 1 | SENSOR SETTING PLATE#3 |
| 11 | 233092-001 | 1 | SENSOR SETTING PLATE | 26 | 062680-812 | 2 | SCREW 437-40X8 |
| 12 | 233067-001 | 2 | SENSOR SETTING COLLAR | 27 | S02701-001 | 2 | CORD HOLDER#U1 |
| 13 | 062672-012 | 2 | SCREW 357-40X20 | 29 | 233604-001 | 1 | CORD HOLDER#2 |
| 14 | 028350-242 | 2 | SPRING WASHER 2-3.5 | 30 | 142268-001 | 2 | CORD HOLDER#L |
| 15 | 026350-132 | 2 | WASHER 3.5 | 31 | 233575-001 | 2 | SENSOR SETTING COLLAR#2 |
| 16 | 062301-402 | 2 | SCREW 3X14 | 32 | 151431-001 | 2 | SCREW 3.57 |
| 17 | 028030-242 | 2 | SPRING WASHER 2-3 | 33 | 233573-001 | 1 | SENSOR PLATE#B791 |
| 18 | 025030-132 | 2 | WASHER 3 | 34 | 233618-001 | 1 | CORD HOLDER#3 |
| 19 | 233063-001 | 1 | ALUMI SHEET | 37 | 233574-001 | 1 | SENSOR PLATE#B793 |
| 20 | 233500-001 | 1 | CORD HOLDER | 38 | 233696-001 | 1 | CORD HOLDER#4 |
| 21 | 062670-612 | 1 | SCREW 357-40X6 | 39 | 233694-001 | 1 | SENSOR PLATE#B798 |
| 22 | S02702-101 | 2 | CORD HOLDER#U2 | 40 | 062670-812 | 1 | SCREW 357-40X8 |
| 23 | S02703-001 | 2 | CORD HOLDER#U3 | 41 | 233695-001 | 1 | SENSOR SETTING COLLAR#3 |
| 24 | 233545-001 | 1 | SENSOR HOLDER#A | 43 | 236315-001 | 1 | SENSOR COLLAR 17.5 |

I. Pedal for standing operation / Fusstritt für stehenden Arbeitsplatz /
 Pédale pour opération en station debò / Pedal para operar de pie



PEDAL FOR STANDING OPERATION
(VARIABLE SPEED TYPE) (TWO SPEED TYPE)

| REF. NO. | CODE | Q' TY | NAME OF PARTS |
|----------|------------|-------|------------------------|
| 10 | * | 1 | PEDAL ASSEMBLY |
| 10-1 | 233217-002 | 1 | PEDAL BASE ASSEMBLY |
| 10-2 | 233221-003 | 1 | ARM CLAMP#L |
| 10-3 | 233222-003 | 1 | ARM CLAMP#R |
| 10-4 | 233223-001 | 4 | STUD SCREW 8X16.7 |
| 10-5 | 028080-242 | 4 | SPRING WASHER 2-8 |
| 10-6 | 021080-302 | 4 | NUT 8 |
| 10-7 | 233224-002 | 2 | PEDAL CLAMP ASSEMBLY |
| 10-8 | 233231-001 | 6 | SPRING CUSHION#23 |
| 10-9 | 061401-205 | 3 | SCREW 4X12 |
| 10-10 | 233233-001 | 3 | SPRING 1.2X12X57 |
| 10-11 | 233232-001 | 3 | RUBBER PLATE1.6X5X45 |
| 10-12 | 233228-001 | 1 | RUBBER PLATE3.2X20X286 |
| 10-13 | 233229-001 | 2 | RUBBER PLATE3.2X20X46 |
| 10-14 | 233230-001 | 2 | RUBBER PLATE3.2X20X15 |
| 10-15 | 238188-001 | 3 | PEDAL ASSEMBLY PRESSER |
| 10-16 | 217093-001 | 3 | SCREW 4X12D |
| 10-17 | 061400-402 | 6 | SCREW 4X4 |
| 10-18 | * | 1 | SPEED CONTROLLER |
| 10-19 | 061401-205 | 6 | SCREW 4X12 |
| 10-20 | J02950-001 | 2 | M. SWITCH ASSEMBLY |
| 10-21 | 233250-001 | 1 | F. P BUSH |
| 10-22 | 233251-003 | 1 | PEDAL COVER |
| 10-23 | 233236-001 | 4 | SCREW 4X6DA |
| 10-24 | * | 1 | IDENTIFICATION LABEL |
| 10-25 | J01585-001 | 3 | FLAT CONNECTOR CE1 |
| 10-26 | 233516-001 | 1 | EDGING 2.4X40 |
| 12 | 233491-001 | 2 | TYING BAND 3.6X203 |
| 13 | 200190-001 | 4 | STEPLE |
| 14 | 233515-001 | 1 | LABEL |

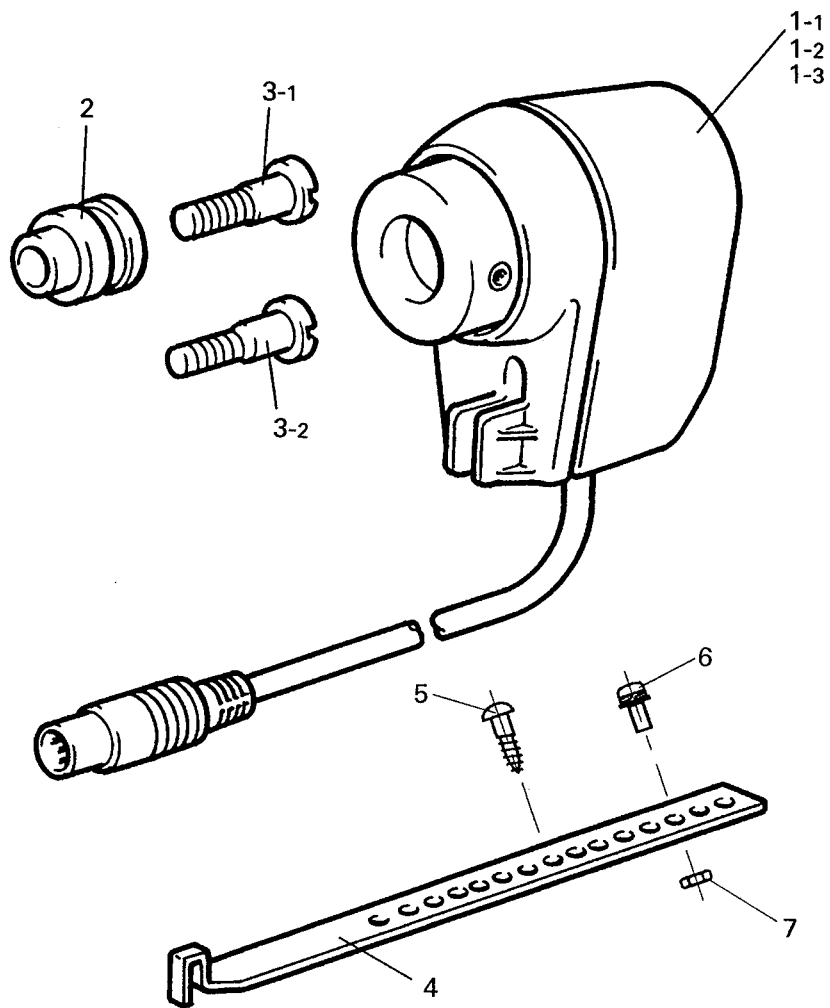
DIFFERENT PARTS LIST

| REF. NO. | VARIABLE SPEED TYPE | TWO SPEED TYPE |
|----------|---------------------|----------------|
| 10 | J80380-040 | J80630-001 |
| 10-18 | J01855-001 | J02949-001 |
| 10-24 | 233487-002 | 233488-002 |

PEDAL FOR STANDING OPERATION
(SIDE ACTION AND VARIABLE SPEED TYPE)

| REF. NO. | CODE | Q' TY | NAME OF PARTS |
|----------|------------|-------|------------------------|
| 11 | J80081-040 | 1 | PEDAL THREAD TRIM #6 |
| 11-1 | 238194-001 | 1 | PEDAL BASE ASSEMBLY#5 |
| 11-2 | 233221-003 | 1 | ARM CLAMP#L |
| 11-3 | 233222-003 | 1 | ARM CLAMP#R |
| 11-4 | 233223-001 | 4 | STUD SCREW 8X16.7 |
| 11-5 | 028080-242 | 4 | SPRING WASHER 2-8 |
| 11-6 | 021080-302 | 4 | NUT 8 |
| 11-7 | 233224-002 | 2 | PEDAL CLAMP ASSEMBLY |
| 11-8 | 233231-001 | 4 | SPRING CUSHION#23 |
| 11-9 | 061401-205 | 2 | SCREW 4X12 |
| 11-10 | 233233-001 | 2 | SPRING 1.2X12X57 |
| 11-11 | 233232-001 | 2 | RUBBER PLATE1.6X5X45 |
| 11-12 | S14823-001 | 1 | RUBBER PLATE3.2X20X186 |
| 11-13 | 233229-001 | 1 | RUBBER PLATE3.2X20X46 |
| 11-14 | 233230-001 | 2 | RUBBER PLATE3.2X20X15 |
| 11-15 | 238186-001 | 1 | PEDAL ASSEMBLY (SREED) |
| 11-16 | 238188-001 | 1 | PEDAL ASSEMBLY PRESSER |
| 11-18 | 217093-001 | 1 | SCREW 4X12D |
| 11-19 | 061400-402 | 4 | SCREW 4X4 |
| 11-20 | 238191-001 | 1 | PEDAL TRIMMER ASS. #2 |
| 11-21 | 225534-001 | 2 | SCREW 4X8DA |
| 11-22 | 062402-005 | 1 | SCREW 4X20 |
| 11-23 | 025040-335 | 1 | WASHER 4 |
| 11-24 | J00021-001 | 1 | TUBE T5X12 |
| 11-25 | 228957-001 | 1 | SPRING 8X30 |
| 11-26 | 021400-305 | 1 | NUT 4 |
| 11-27 | J01084-001 | 1 | SPEED CONTROLLER#6 |
| 11-28 | 061401-205 | 4 | SCREW 4X12 |
| 11-29 | J02950-001 | 1 | M. SWITCH ASSEMBLY |
| 11-31 | 233250-001 | 1 | F. P BUSH |
| 11-32 | 238196-001 | 1 | PEDAL COVER#5 |
| 11-33 | 233236-001 | 3 | SCREW 4X6DA |
| 11-34 | J01089-001 | 1 | IDENTIFICATION LABEL |
| 11-35 | 228475-000 | 2 | TYING BAND 1.9X80 |
| 11-36 | J00074-001 | 2 | FLAT CONNECTOR CE2 |
| 12 | 233491-001 | 2 | TYING BAND 3.6X203 |
| 13 | 200190-001 | 4 | STEPLE |
| 14 | 233515-001 | 1 | LABEL |

J. Synchronizer / Synchronisator / Synchronisateur / Sincronizador



DIFFERENT PARTS LIST

| REF. NO. | MACHINE MODEL | | Over lock, B256 | B891 | G51, P73, P81 |
|----------|-------------------------|-------|-----------------|------------|---------------|
| | NAME OF PARTS | Q' TY | CODE | CODE | CODE |
| 1-1 | SYNCHRONIZER ASSY#17-2 | 1 | J80347-001 | --- | --- |
| 1-2 | SYNCHRONIZER ASSY#17UF | 1 | --- | J80777-001 | --- |
| 1-3 | SYNCHRONIZER ASSY#17G8 | 1 | --- | --- | J80859-001 |
| 2 | SYNCHRO. BOSS 22.2 | 1 | J01251-001 | --- | --- |
| 3-1 | SCREW 11/32-28 (B, M) | 1 | J01252-001 | --- | --- |
| 3-2 | SCREW 5/16-24 (J, S, A) | 1 | J01253-001 | --- | --- |
| 4 | SYNCHRONIZER GUIDE | 1 | J01473-001 | --- | --- |
| 5 | SCREW 4.5X16 | 2 | S03816-001 | --- | --- |
| 6 | SCREW 4X10DA | 1 | 229017-001 | --- | --- |
| 7 | NUT 3-4 | 1 | 021400-303 | --- | --- |

DIFFERENT PARTS LIST / ZUBEHÖRLISTE /
LISTE DES PIÈCES ACCESSOIRES / LISTA DE PIEZAS ACCESORIAS

| Machine Model | | B737 etc | | | | | | |
|---------------|----------------------|-----------------------------|-----------------------------|---------------------------|---|-----------------------------|------------|--|
| Ref. No. | Sub-Class | Single Phase | | | | Three Phase | | |
| | | 110 | 220 ~ 240 | 240 Australia | 230 CE | 220 | 380 ~ 415 | 400 CE |
| A-18 | INV Motor Assembly | J80643-001 | | | | J80652-001 | | |
| A-19 | Taper Pulley | Q90 | J02278-001 | | | | | |
| | | Q105 | J02281-001 | | | | | |
| C-6 | Power Circuit Unit | J80634-001 | J80635-001 | J80636-001 | | J80637-001 | J80690-001 | J80691-001 |
| C-16 | Control Circuit Unit | J80852-001 | | | | | | |
| F-1~ F-43 | Switch Assembly | 229240-001 | J01244-001 | 236127-001 (Australia) | J03134-001 (3P Plug A.) | 229250-001 | | J80727-001 (EMC BOX) + J02678-001 +220681-001 + J80631-001 (EMC CORE) |
| | | J02045-001 (USA) | J02046-001 (OCR) | | J02047-001 (USA) | J03245-001 (OCR) | | |
| | | 230542-001 (Canada) | 236127-001 (New Zealand) | | J80783001+ J02679001+ J80631001x2 | 230545-001 (Canada) | | |
| | | 237272-001 (Canada, OCR) | | | +220681001x2 J03238-001 (Greece) | 237273-001 (Canada, OCR) | | |

| Machine Model | | Over lock (B5**, V**) | | | | | | |
|---------------|----------------------|-----------------------------|-----------------------------|---------------------------|---|-----------------------------|------------|--|
| Ref. No. | Sub-Class | Single Phase | | | | Three Phase | | |
| | | 110 | 220 ~ 240 | 240 Australia | 230 CE | 220 | 380 ~ 415 | 400 CE |
| A-18 | INV Motor Assembly | J80643-002 | | | | J80652-002 | | |
| A-19 | Taper Pulley Q105 | J02281-001 | | | | | | |
| C-6 | Power Circuit Unit | J80634-001 | J80635-001 | J80636-001 | | J80637-001 | J80690-001 | J80691-001 |
| C-16 | Control Circuit Unit | J80852-001 | | | | | | |
| F-1~ F-43 | Switch Assembly | 229240-001 | J01244-001 | 236127-001 (Australia) | J03134-001 (3P Plug A.) | 229250-001 | | J80727-001 (EMC BOX) + J02678-001 +220681-001 + J80631-001 (EMC CORE) |
| | | J02045-001 (USA) | J02046-001 (OCR) | | J02047-001 (USA) | J03245-001 (OCR) | | |
| | | 230542-001 (Canada) | 236127-001 (New Zealand) | | J80783001+ J02679001+ J80631001x2 | 230545-001 (Canada) | | |
| | | 237272-001 (Canada, OCR) | | | +220681001x2 J03238-001 (Greece) | 237273-001 (Canada, OCR) | | |

| Machine Model | | C51 , P73 , P81 | | | | | | |
|---------------|----------------------|-----------------------------|-----------------------------|---------------------------|---|-----------------------------|------------|--|
| Ref. No. | Sub-Class | Single Phase | | | | Three Phase | | |
| | | 110 | 220 ~ 240 | 240 Australia | 230 CE | 220 | 380 ~ 415 | 400 CE |
| A-18 | INV Motor Assembly | J80643-001 | | | | J80652-001 | | |
| A-19 | Taper Pulley Q90 | J02278-001 | | | | | | |
| C-6 | Power Circuit Unit | J80634-001 | J80635-001 | J80636-001 | | J80637-001 | J80690-001 | J80691-001 |
| C-16 | Control Circuit Unit | J80852-001 | | | | | | |
| F-1~ F-43 | Switch Assembly | 229240-001 | J01244-001 | 236127-001 (Australia) | J03134-001 (3P Plug A.) | 229250-001 | | J80727-001 (EMC BOX) + J02678-001 +220681-001 + J80631-001 (EMC CORE) |
| | | J02045-001 (USA) | J02046-001 (OCR) | | J02047-001 (USA) | J03245-001 (OCR) | | |
| | | 230542-001 (Canada) | 236127-001 (New Zealand) | | J80783001+ J02679001+ J80631001x2 | 230545-001 (Canada) | | |
| | | 237272-001 (Canada, OCR) | | | +220681001x2 J03238-001 (Greece) | 237273-001 (Canada, OCR) | | |

| Machine Model | | B883 | | | | | | |
|---------------|----------------------|-----------------------------|-----------------------------|---------------------------|-----------------------------|-----------------------------|---------------------|------------------------------|
| Ref. No. | Sub-Class | Single Phase | | | | Three Phase | | |
| | Voltage (V) | 110 | 220 ~ 240 | 240 Australia | 230 CE | 220 | 380 ~ 415 | 400 CE |
| A-18 | INV Motor Assembly | J80643-001 | | | | J80652-001 | | |
| A-19 | Taper Pulley Q90 | J02278-001 | | | | | | |
| C-6 | Power Circuit Unit | J80634-001 | J80635-001 | J80636-001 | | J80637-001 | J80690-001 | J80691-001 |
| C-16 | Control Circuit Unit | J80852-001 | | | | | | |
| F-1~ F-43 | Switch Assembly | J00452-001 | J00460-001 | J00464-001 (Australia) | J03313-001 (3P Plug A.) | J00470-001 | | J80727-001 (EMC BOX) + |
| | | J00453-001 (USA) | J00462-001 (OCR) | | J80783001+ | J02432-001 (USA) | J03246-001 (OCR) | |
| | | J00455-001 (Canada) | J00464-001 (New Zealand) | | J02679001+ | J00473-001 (Canada) | --- | J80631-001 (EMC CORE) |
| | | J00457-001 (Canada, OCR) | | | J80631001x2 +220681001x2 | J00477-001 (Canada, OCR) | | |

| Machine Model | | B722 , B724 | | | | | | |
|---------------|----------------------|-----------------------------|-----------------------------|---------------------------|-----------------------------|-----------------------------|---------------------|------------------------------|
| Ref. No. | Sub-Class | Single Phase | | | | Three Phase | | |
| | Voltage (V) | 110 | 220 ~ 240 | 240 Australia | 230 CE | 220 | 380 ~ 415 | 400 CE |
| A-18 | INV Motor Assembly | J80643-001 | | | | J80652-001 | | |
| A-19 | Taper Pulley Q90 | J02278-001 | | | | | | |
| C-6 | Power Circuit Unit | J80634-001 | J80635-001 | J80636-001 | | J80637-001 | J80690-001 | J80691-001 |
| C-16 | Control Circuit Unit | J80852-001 | | | | | | |
| F-1~ F-43 | Switch Assembly | 229240-001 | J01244-001 | 236127-001 (Australia) | J03134-001 (3P Plug A.) | 229250-001 | | J80727-001 (EMC BOX) + |
| | | J02045-001 (USA) | J02046-001 (OCR) | | J80783001+ | J02047-001 (USA) | J03245-001 (OCR) | |
| | | 230542-001 (Canada) | 236127-001 (New Zealand) | | J02679001+ | 230545-001 (Canada) | --- | J80631-001 (EMC CORE) |
| | | 237272-001 (Canada, OCR) | | | J80631001x2 +220681001x2 | 237273-001 (Canada, OCR) | | |

| Machine Model | | B877 , B878 | | | | | | |
|---------------|----------------------|-----------------------------|-----------------------------|---------------------------|-----------------------------|-----------------------------|---------------------|------------------------------|
| Ref. No. | Sub-Class | Single Phase | | | | Three Phase | | |
| | Voltage (V) | 110 | 220 ~ 240 | 240 Australia | 230 CE | 220 | 380 ~ 415 | 400 CE |
| A-18 | INV Motor Assembly | J80643-001 | | | | J80652-001 | | |
| A-19 | Taper Pulley Q90 | J02278-001 | | | | | | |
| C-6 | Power Circuit Unit | J80634-001 | J80722-001 | J80724-001 | | J80723-001 | J80690-001 | J80691-001 |
| C-16 | Control Circuit Unit | J80852-001 | | | | | | |
| F-1~ F-43 | Switch Assembly | 229240-001 | J01244-001 | 236127-001 (Australia) | J03134-001 (3P Plug A.) | 229250-001 | | J80727-001 (EMC BOX) + |
| | | J02045-001 (USA) | J02046-001 (OCR) | | J80783001+ | J02047-001 (USA) | J03245-001 (OCR) | |
| | | 230542-001 (Canada) | 236127-001 (New Zealand) | | J02679001+ | 230545-001 (Canada) | --- | J80631-001 (EMC CORE) |
| | | 237272-001 (Canada, OCR) | | | J80631001x2 +220681001x2 | 237273-001 (Canada, OCR) | | |

| Machine Model | | B256/7 , B276/7 | | | | | | |
|---------------|--------------------------|-----------------------------|-----------------------------|---------------------------|----------------------------|-----------------------------|---------------------|------------------------------|
| Ref. No. | Sub-Class Voltage (V) | Single Phase | | | | Three Phase | | |
| | | 110 | 220 ~ 240 | 240 Australia | 230 CE | 220 | 380 ~ 415 | 400 CE |
| A-18 | INV Motor Assembly | J80644-002 | | | | J80653-002 | | |
| A-19 | Taper Pulley Q105 | J02281-001 | | | | | | |
| C-6 | Power Circuit Unit | J80634-001 | J80722-001 | J80724-001 | | J80723-001 | J80690-001 | J80691-001 |
| C-16 | Control Circuit Unit | J80674-001 | | | | | | |
| C-17 | Sub Control Circuit Unit | J80675-001 | | | | | | |
| F-1~ F-43 | Switch Assembly | 229240-001 | J01244-001 | 236127-001 (Australia) | J03134-001 (3P Plug A.) | 229250-001 | | J80727-001 (EMC BOX) + |
| | | J03239-001 (USA) | J03392-001 (OCR) | | --- | J03240-001 (USA) | J03245-001 (OCR) | |
| | | 230542-001 (Canada) | 236127-001 (New Zealand) | | --- | 230545-001 (Canada) | --- | J80631-001 (EMC CORE) |
| | | J03241-001 (Canada, OCR) | J03393-001 (Canada, OCR) | | J03238-001 (Greece) | J03242-001 (Canada, OCR) | --- | |

| Machine Model | | B776 | | | | | | |
|---------------|--------------------------|-----------------------------|-----------------------------|---------------------------|----------------------------|-----------------------------|---------------------|------------------------------|
| Ref. No. | Sub-Class Voltage (V) | Single Phase | | | | Three Phase | | |
| | | 110 | 220 ~ 240 | 240 Australia | 230 CE | 220 | 380 ~ 415 | 400 CE |
| A-18 | INV Motor Assembly | J80643-001 | | | | J80652-001 | | |
| A-19 | Taper Pulley Q90 | J02278-001 | | | | | | |
| C-6 | Power Circuit Unit | J80634-001 | J80722-001 | J80724-001 | | J80723-001 | J80690-001 | J80691-001 |
| C-16 | Control Circuit Unit | J80762-001 | | | | | | |
| C-17 | Sub Control Circuit Unit | J80764-001 | | | | | | |
| F-1~ F-43 | Switch Assembly | 229240-001 | J01244-001 | 236127-001 (Australia) | J03134-001 (3P Plug A.) | 229250-001 | | J80727-001 (EMC BOX) + |
| | | J02045-001 (USA) | J02046-001 (OCR) | | J80783001+ | J02047-001 (USA) | J03245-001 (OCR) | |
| | | 230542-001 (Canada) | 236127-001 (New Zealand) | | J02679001+ | 230545-001 (Canada) | --- | J80631-001 (EMC CORE) |
| | | 237272-001 (Canada, OCR) | --- | | +220681001x2 | 237273-001 (Canada, OCR) | --- | |

| Machine Model | | B891 | | | | | | |
|---------------|--------------------------|-----------------------------|-----------------------------|---------------------------|----------------------------|-----------------------------|---------------------|------------------------------|
| Ref. No. | Sub-Class Voltage (V) | Single Phase | | | | Three Phase | | |
| | | 110 | 220 ~ 240 | 240 Australia | 230 CE | 220 | 380 ~ 415 | 400 CE |
| A-18 | INV Motor Assembly | J80644-001 | | | | J80653-001 | | |
| A-19 | Taper Pulley Q80 | J02276-001 | | | | | | |
| C-6 | Power Circuit Unit | J80842-001 | J80843-001 | J80844-001 | | J80845-001 | J80690-001 | J80691-001 |
| C-16 | Control Circuit Unit | J80779-001 | | | | | | |
| C-17 | Sub Control Circuit Unit | J80781-001 | | | | | | |
| F-1~ F-43 | Switch Assembly | 229240-001 | J01244-001 | 236127-001 (Australia) | J03134-001 (3P Plug A.) | 229250-001 | | J80727-001 (EMC BOX) + |
| | | J03239-001 (USA) | J03392-001 (OCR) | | --- | J03240-001 (USA) | J03245-001 (OCR) | |
| | | 230542-001 (Canada) | 236127-001 (New Zealand) | | --- | 230545-001 (Canada) | --- | J80631-001 (EMC CORE) |
| | | J03241-001 (Canada, OCR) | J03393-001 (Canada, OCR) | | J03238-001 (Greece) | J03242-001 (Canada, OCR) | --- | |

INDEX / VERZEICHNIS /
INDEX / INDICE

| PARTS NO. | REF. NO. | PARTS NO. | REF. NO. | PARTS NO. | REF. NO. |
|--------------|-------------------------------------|------------|--|------------|--------------------|
| 002400-806 | D-18 | 225534-001 | i-11-21 | 291674-011 | G-1 |
| 014500-632 | A-2 | 228260-001 | D-28-1-8, D-28-2-8 | 388706-011 | G-1 |
| 021080-206 | D-10 | 228272-001 | F-16-1-1 | J00021-001 | i-11-24 |
| 021080-302 | i-10-6, i-11-6 | 228295-001 | C-5, C-20 | J00074-001 | C-31, i-11-36 |
| 021100-206 | D-4 | 228475-000 | i-11-35 | J00107-001 | D-2 |
| 021400-205 | E-26-2 | 228957-001 | i-11-25 | J00351-001 | B-8 |
| 021400-303 | J-7 | 229017-001 | C-8-1, C-12, C-18, C-25, D-14-3, D-28-1-7, D-28-2-7, J-6 | J00353-001 | D-29 |
| 021400-305 | i-11-26 | | | J00452-001 | F-22 |
| 025030-132 | H-18 | | | J00453-001 | F-24 |
| 025040-173 | D-8-3 | 229240-001 | F-1 | J00455-001 | F-23 |
| 025040-335 | i-11-23 | 229250-001 | F-12 | J00457-001 | F-25 |
| 025080-336 | D-11 | 230542-001 | F-2 | J00460-001 | F-26 |
| 025100-236 | D-5 | 230545-001 | F-13 | J00461-001 | F-37-1 |
| 025680-232 | E-32 | 233063-001 | H-19 | J00462-001 | F-28 |
| 026350-132 | H-15 | 233067-001 | H-12 | J00464-001 | F-27 |
| 028030-242 | H-17 | 233091-002 | H-10 | J00470-001 | F-30 |
| 028040-245 | D-8-2 | 233092-001 | H-11 | J00473-001 | F-31 |
| 028080-242 | i-10-5, i-11-5 | 233217-002 | i-10-1 | J00477-001 | F-33 |
| 028080-246 | D-12 | 233221-003 | i-10-2, i-11-2 | J00494-001 | B-2, C-7-1, C-8-2 |
| 028100-246 | A-21, D-6 | 233222-003 | i-10-3, i-11-3 | J00649-001 | D-28-1-5, D-28-2-5 |
| 028350-242 | H-14 | 233223-001 | i-10-4, i-11-4 | J00715-001 | A-12-2 |
| 037401-015 | D-28-1-3, D-28-2-3 | 233224-002 | i-10-7, i-11-7 | J01084-001 | i-11-27 |
| 061400-402 | i-10-17, i-11-19 | 233228-001 | i-10-12 | J01089-001 | i-11-34 |
| 061401-205 | i-10-9, i-10-19, i-11-9, i-11-28 | 233229-001 | i-10-13, i-11-13 | J01244-001 | F-5, F-9-1 |
| | | 233230-001 | i-10-14, i-11-14 | J01251-001 | J-2 |
| 062301-402 | H-16 | 233231-001 | i-10-8, i-11-8 | J01252-001 | J-3-1 |
| 062401-063 | D-8-4 | 233232-001 | i-10-11, i-11-11 | J01253-001 | J-3-2 |
| 062401-605 | E-26-1 | 233233-001 | i-10-10, i-11-10 | J01370-001 | C-30 |
| 062402-005 | i-11-22 | 233236-001 | i-10-23, i-11-33 | J01463-001 | C-29 |
| 062670-612 | H-21 | 233250-001 | i-10-21, i-11-31 | J01473-001 | J-4 |
| 062670-812 | H-40 | 233251-003 | i-10-22 | J01585-001 | i-10-25 |
| 062671-212 | E-7 | 233263-001 | G-1-2 | J01778-001 | C-16-1 |
| 062672-012 | H-13 | 233268-002 | G-1-1 | J01855-001 | i-10-18 |
| 062680-812 | H-26 | 233487-002 | i-10-24 | J01892-001 | C-15 |
| 062681-212 | E-6, G-1-5 | 233488-002 | i-10-24 | J01988-001 | E-3-1 |
| 076202-801 | A-12-1, A-12-2 | 233491-001 | i-12 | J01989-001 | E-2-1 |
| 0A4301-205 | C-7-2 | 233500-001 | H-20 | J01990-001 | E-1-1 |
| 0A4402-506 | C-18 | 233501-001 | G-1-6 | J02027-001 | D-21 |
| 137207-71110 | E-1 | 233515-001 | i-14 | J02028-001 | D-23 |
| 137207-71111 | E-12 | 233516-001 | i-10-26 | J02029-001 | C-14 |
| 137207-71112 | E-27 | 233544-001 | H-25 | J02036-001 | D-15 |
| 137207-71210 | E-2 | 233545-001 | H-24 | J02037-001 | C-26-1 |
| 137207-71211 | E-13 | 233573-001 | H-33 | J02038-001 | D-13-1 |
| 137207-71212 | E-28 | 233574-001 | H-37 | J02039-001 | D-14-1 |
| 137207-71310 | E-3 | 233575-001 | H-31 | J02045-001 | F-3 |
| 137207-71311 | E-14 | 233604-001 | H-29 | J02046-001 | F-7 |
| 137207-71312 | E-29 | 233618-001 | H-34 | J02047-001 | F-14 |
| 137207-81111 | E-16 | 233619-001 | G-1-2 | J02054-001 | E-9 |
| 137207-81211 | E-17 | 233694-001 | H-39 | J02058-001 | E-5 |
| 137207-81311 | E-18 | 233695-001 | H-41 | J02059-001 | E-8 |
| 142268-001 | H-30 | 233696-001 | H-38 | J02061-001 | E-23 |
| 151431-001 | H-32 | 236127-001 | F-6 | J02062-001 | C-4, C-10 |
| 200190-001 | F-36, i-13 | 236315-001 | H-43 | J02130-001 | D-28-1-4, D-28-2-4 |
| 203684-001 | A-13-1, A-13-2 | 237043-002 | G-1-4 | J02195-001 | C-27-1 |
| 215081-001 | D-17, D-22 | 237272-001 | F-4 | J02276-001 | A-19 |
| 215081-002 | E-4, G-1-3 | 237273-001 | F-15 | J02278-001 | A-19 |
| 215082-001 | B-10 | 238186-001 | i-11-15 | J02281-001 | A-19 |
| 215082-003 | E-25 | 238188-001 | i-10-15, i-11-16 | J02293-001 | B-7 |
| 215822-000 | C-30-1 | 238191-001 | i-11-20 | J02302-001 | F-8-1 |
| 216205-000 | A-20 | 238194-001 | i-11-1 | J02432-001 | F-32 |
| 217071-001 | B-5 | 238196-001 | i-11-32 | J02493-001 | A-22 |
| 217093-001 | i-10-16, i-11-18 | 291640-011 | G-1 | J02495-001 | D-13-2 |
| 220681-001 | C-3, C-33, F-41 | 291642-011 | G-1 | J02496-001 | D-14-2 |
| 222372-001 | D-9 | 291657-013 | G-1 | J02497-001 | C-22 |
| 224508-001 | B-4, B-5, E-26-3 | 291659-011 | G-1 | J02501-001 | D-25 |

| PARTS NO. | REF. NO. | PARTS NO. | REF. NO. | PARTS NO. | REF. NO. |
|------------|------------------|------------|-----------------------------------|------------|------------|
| J02501-002 | D-25 | J03392-001 | F-42 | S02702-101 | H-22 |
| J02502-001 | C-2 | J03393-001 | F-43 | S02703-001 | H-23 |
| J02503-001 | C-2 | J03413-001 | D-28-1-1 | S03816-001 | F-35, J-5 |
| J02505-001 | C-11 | J03417-001 | D-28-1-6, D-28-2-6 | S14823-001 | i-11-12 |
| J02506-001 | C-11 | J03419-001 | D-28-2-1 | S38352-101 | D-26 |
| J02508-001 | B-9 | J03555-001 | E-31 | UF8582-001 | D-32 |
| J02513-001 | B-1 | J03588-001 | C-27-2, F-8-2, F-9-2, F-16-1-2 | UG4163-000 | C-21, D-20 |
| J02514-001 | C-4 | | | | |
| J02515-001 | B-3 | J03593-001 | D-28-2-1 | | |
| J02516-001 | B-6 | J80081-040 | i-11 | | |
| J02517-001 | D-7 | J80347-001 | J-1-1 | | |
| J02518-001 | A-14 | J80380-040 | i-10 | | |
| J02521-001 | A-14 | J80630-001 | i-10 | | |
| J02525-001 | A-1 | J80631-001 | C-28, D-19, E-30, F-18, F-40-1 | | |
| J02537-001 | A-6 | | | | |
| J02538-001 | A-6 | J80633-001 | E-15-1 | | |
| J02560-001 | A-17 | J80634-001 | C-6 | | |
| J02563-001 | A-16 | J80635-001 | C-6 | | |
| J02566-001 | E-10 | J80636-001 | C-6 | | |
| J02567-001 | E-11 | J80637-001 | C-6 | | |
| J02568-001 | D-24, D-31 | J80638-001 | D-28-2 | | |
| J02628-001 | C-13 | J80639-001 | D-28-1 | | |
| J02664-001 | C-2 | J80640-001 | D-28-1-2, D-28-2-2 | | |
| J02678-001 | F-17 | J80643-001 | A-18 | | |
| J02679-001 | F-39 | J80643-002 | A-18 | | |
| J02832-001 | D-8-1 | J80644-001 | A-18 | | |
| J02949-001 | i-10-18 | J80644-002 | A-18 | | |
| J02950-001 | i-10-20, i-11-29 | J80652-001 | A-18 | | |
| J02955-001 | D-23 | J80652-002 | A-18 | | |
| J02989-001 | A-24 | J80653-001 | A-18 | | |
| J02991-001 | A-15 | J80653-002 | A-18 | | |
| J02992-001 | A-23 | J80654-001 | A-10 | | |
| J02997-001 | A-11 | J80654-002 | A-10 | | |
| J02998-001 | C-1, D-1 | J80655-001 | A-10 | | |
| J03033-001 | D-16 | J80655-002 | A-10 | | |
| J03039-001 | B-11 | J80656-001 | A-10 | | |
| J03040-001 | C-19 | J80656-002 | A-10 | | |
| J03041-001 | C-20 | J80657-001 | A-10 | | |
| J03044-001 | D-23 | J80657-002 | A-10 | | |
| J03045-001 | D-25 | J80674-001 | C-16 | | |
| J03053-001 | C-22 | J80675-001 | C-17 | | |
| J03122-001 | C-30 | J80690-001 | C-6 | | |
| J03123-001 | C-2 | J80691-001 | C-6 | | |
| J03124-001 | C-2 | J80722-001 | C-6 | | |
| J03125-001 | C-9 | J80723-001 | C-6 | | |
| J03127-001 | C-2 | J80724-001 | C-6 | | |
| J03134-001 | F-8, F-38-1 | J80727-001 | F-16 | | |
| J03135-001 | F-16-1 | J80762-001 | C-16 | | |
| J03238-001 | F-9 | J80764-001 | C-17 | | |
| J03239-001 | F-10 | J80777-001 | J-1-2 | | |
| J03240-001 | F-20 | J80779-001 | C-16 | | |
| J03241-001 | F-11 | J80781-001 | C-17 | | |
| J03242-001 | F-21 | J80783-001 | F-38 | | |
| J03245-001 | F-19 | J80793-001 | G-1 | | |
| J03246-001 | F-34 | J80795-001 | F-40 | | |
| J03247-001 | F-29 | J80796-001 | C-34, F-40-2 | | |
| J03260-001 | C-22 | J80842-001 | C-6 | | |
| J03275-001 | D-3 | J80843-001 | C-6 | | |
| J03278-001 | E-24 | J80844-001 | C-6 | | |
| J03288-001 | C-13 | J80845-001 | C-6 | | |
| J03313-001 | F-37 | J80852-001 | C-16 | | |
| J03314-001 | A-8 | J80857-001 | D-28-2 | | |
| J03316-001 | D-30 | J80859-001 | J-1-3 | | |
| J03333-001 | A-7-1 | J80899-001 | E-15-2 | | |
| J03365-001 | C-32 | S02701-001 | H-27 | | |

