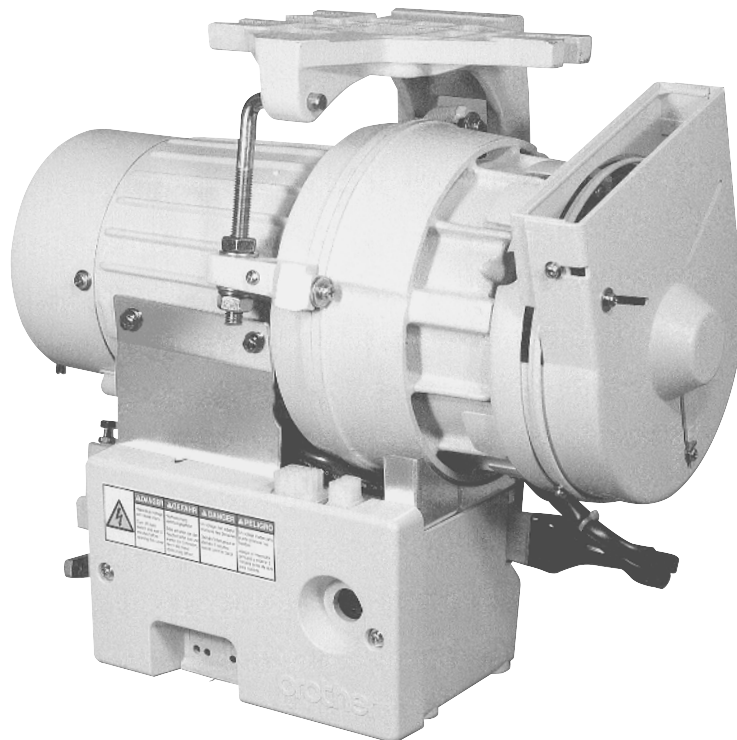


**EC MOTOR
EC-MOTOR
MOTEUR EC
MOTOR EC**

**MD-464-E1, E2, E3
MD-474-E1, E2, E3**

**PARTS BOOK
TEILEKATALOG
LIVRE DES PIECES
LIBRO DE REFERENCIA DE PIEZAS**



Notes for using this parts book

1. If the symbol is found in the "Parts No." column of the "Assembly No." column, refer to the different parts list on page 4.
2. The symbol in the "Parts No." column indicates that the parts is not available for supply. If, however, there is a number in the "Assembly No." column, the parts can be ordered as an assembly. Please, therefore, order by using the assembly number.
3. This book was prepared based on information available in July 2001.
4. Parts are subject to changes in design without prior notice.

CONTENTS

A. Motor mechanism (1)	1
A. Motor mechanism (2)	2
B. Control box	3
DIFFERENT PARTS LIST	4
C. Switch box mechanism	5
D. Synchronizer	6
E. Operation panel	7
F. Pedal for standing operation	9
INDEX	11

Hinweise zur Verwendung dieser Teileliste

1. Dieses Zeichen in der Spalte "Parts No. (Teilnummer)" oder "Assembly No. (Gerätesatznummer)" verweist auf die Gesonderte Stückliste zur Seite 4.
2. Dieses Zeichen in der Spalte "Teilnummer" bedeutet, daß dieser Teil nicht lieferbar ist. Wenn jedoch in der Spalte "Gerätesatznummer" eine Nummer steht, kann dieser Teil als ein Geräteteilsatz bestellt werden. Bestellen Sie daher bitte mit dieser Gerätesatznummer.
3. Dieses Buch basiert auf den Informationen vom Juli 2001.
4. Modelländerungen sind vorbehalten.

INHALTSVERZEICHNIS

A. Motors (1)	1
A. Motors (2)	2
B. Schaltkasten	3
ZUBEHÖRLISTE	4
C. Schaltkasten	5
D. Synchronisator	6
E. Bedienungstafel	7
F. Fusstritt für stehenden Arbeitsplatz	9
VERZEICHNIS	11

Notes sur l'utilisation de ce manuel de pièces détachées

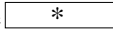
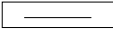
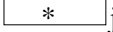
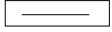
1. Si le symbole  se trouve dans la colonne "Parts No. (N° de pièce)" ou dans la colonne "Assembly No. (N° jeu de pièces)", veuillez vous référer à la liste de pièces annexe page 4.
2. Le symbole  dans la colonné "N° de pièce" signifie que la pièce ne peut être fournie. Si, dans la colonne "N° jeu de pièces", il y a un numéro de nomenclature, la pièce peut être commandée comme faisant partie d'un jeu de pièces. Donc, pour toute commande, veuillez spécifier le n° du jeu de pièces.
3. Ce manuel a été fait d'après les renseignements valables au mois de Juillet 2001.
4. Les pièces peuvent être sujettes à des modifications sans préavis.

TABLE DES MATIERES

A. Mécanisme du moteur (1).....	1
A. Mécanisme du moteur (2).....	2
B. Boîtier de commande.....	3
LISTE DES PIECES ACCESSOIRES	4
C. Boîtier d'interrupteurs	5
D. Synchroniseur	6
E. Panneau de commande	7
F. Pédale pour opération en station debo	9
INDEX	11

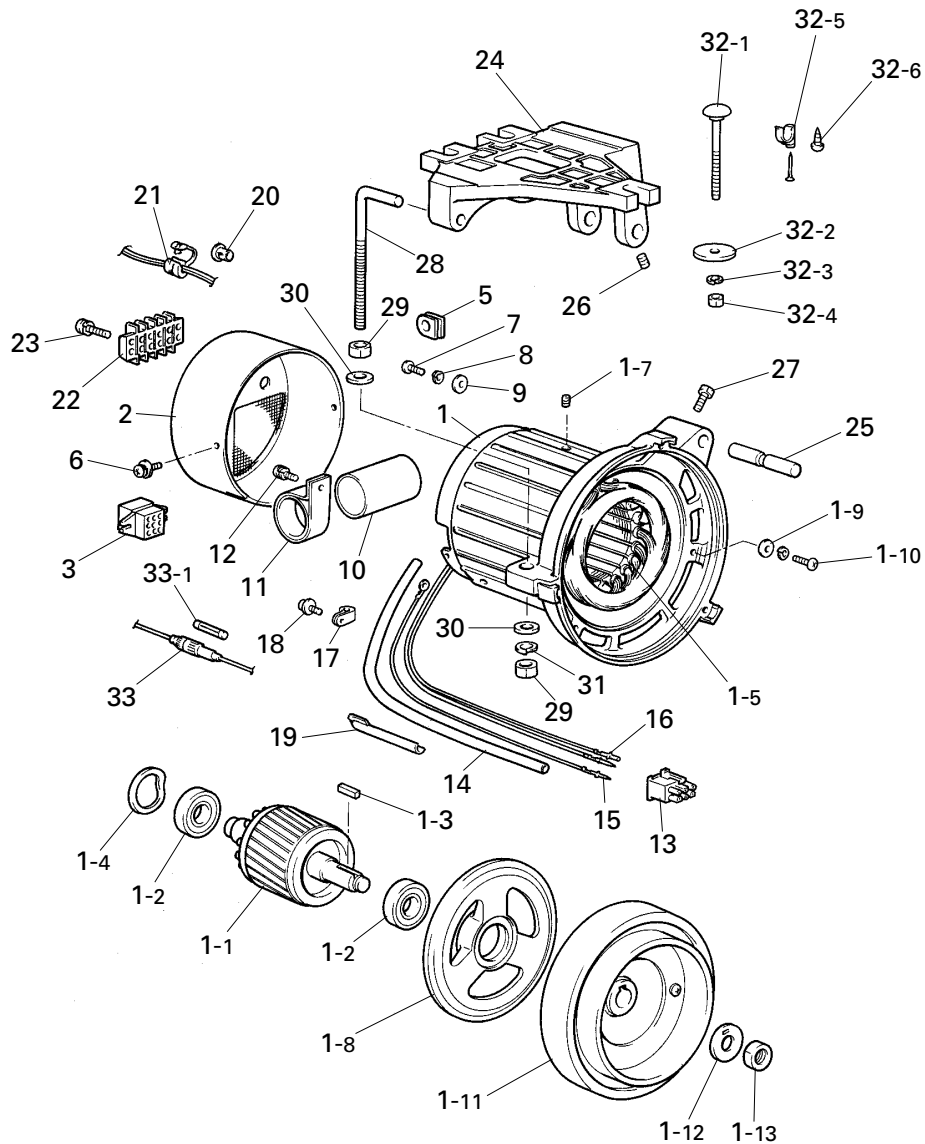
Notas para usar este Libro de Piezas

1. De haber un símbolo  junto al "Parts No. (Número de Pieza)" o en la columna del "Assembly No. (Número de juego)", habrá que mirar la lista de piezas separada de la página 4.
2. El símbolo , que se encuentra en la columna del "Número de Pieza", quiere decir que no se dispone de dicha pieza sola. Cuando, empero, hay un número en la columna del "Número de Juego", se podrá ordenar la pieza con todo el juego. Por lo tanto, será mejor hacer el pedido recurriendo al número del juego respectivo.
3. Este libro ha sido compilado basándose en los datos de que se disponía en julio 2001.
4. Las piezas quedan sujetas a cambios de diseño sin aviso previo.

INDICA

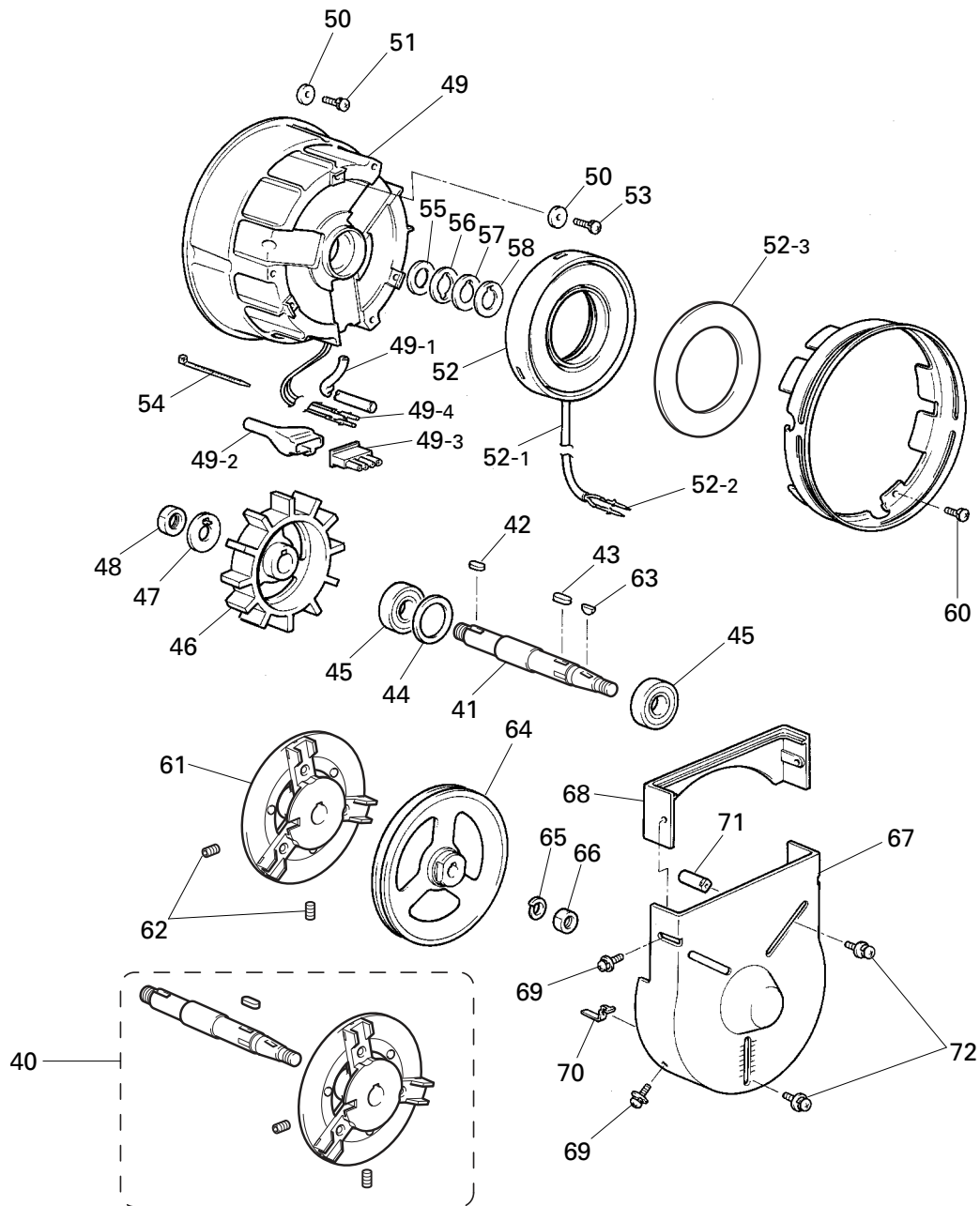
A. Mecanismo del motors (1).....	1
A. Mecanismo del motors (2).....	2
B. Caja de controles	3
LISTA DE PIEZAS ACCESORIAS	4
C. Caja de interruptores	5
D. Sincronizador.....	6
E. Panel de control	7
F. Pedal para operar de pie	9
INDICE.....	11

A. Motor mechanism (1) / Motors (1)
 Mécanisme du moteur (1) / Mecanismo del motors (1)



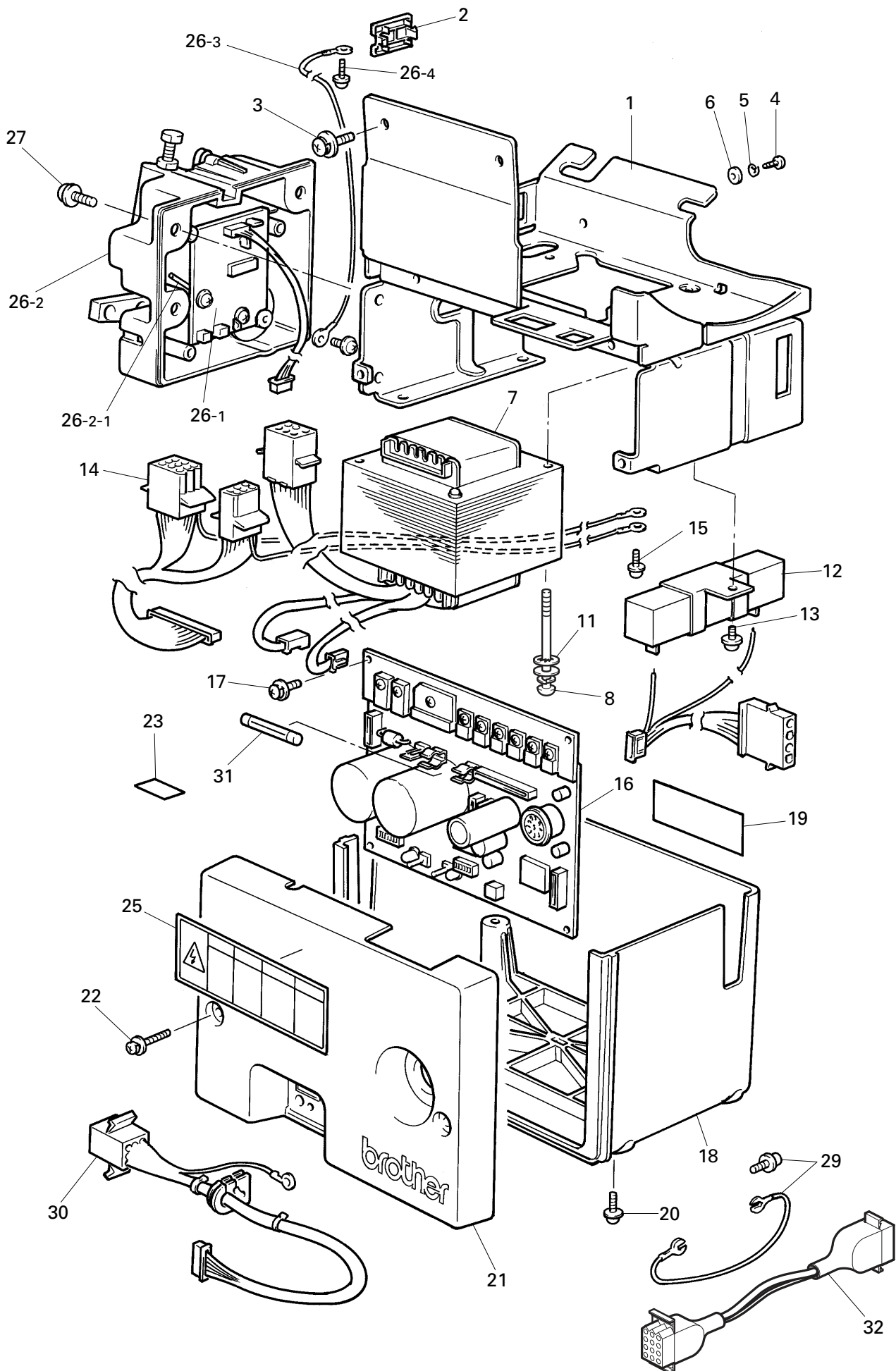
REF. No.	CODE	Q'TY	NAME OF PARTS	REF. No.	CODE	Q'TY	NAME OF PARTS
1	*	1	ROTOR & STATOR ASSY	15	216373-001	2	PLUG PIN 1381
1-1	---	1	ROTOR	16	217133-001	2	PLUG PIN 1380
1-2	076203-601	2	BEALING 6203VV	17	J80559-001	1	CODE HOLDER
1-3	210940-000	1	KEY 5X5X16	18	211528-001	1	SCREW 5X12D
1-4	206156-001	1	WAVE WASHER	19	J02367-001	1	CABLU COVER
1-5	---	1	STATOR	20	J03506-001	1	HOLE PLUG 12.7
1-6	---	1	FRAME	21	J00193-001	1	BUSH 12.7
1-7	011500-612	1	SCREW 5X6	22	J80560-001	1	TERMINAL BLOCK
1-8	J80551-001	1	CENTER BRACKET	23	0A4401-605	2	SCREW 4X16DA
1-9	J02263-001	3	WASHER 3X5X16	24	J02396-001	1	MD464 BASE#2
1-10	0A3501-605	3	SCREW 5X16D	25	J80561-001	1	PIN
1-11	---	1	DRUM ASSY	26	014500-832	2	SCREW 5X8
1-12	388404-001	1	WASHER	27	017501-005	1	BOLT 5X10
1-13	388403-001	1	NUT 14	28	J80562-001	1	L-BLUT 10X120
2	*	1	REAR COVER	29	021100-206	2	NUT 10
3	J80553-001	1	9P SOCKET	30	025100-236	2	WASHER 10
5	J80554-001	1	CODE BUSHING	31	028100-246	1	SPRING WASHER 2-10
6	J00179-001	2	SCREW 5X12DA	32	236918-001	1	BOLT 8X70 ASSY
7	062401-063	1	SCREW 4X10DA	32-1	222372-001	3	BOLT 8X70
8	028040-245	1	SPRING WASHER 2-4	32-2	025080-336	3	WASHER 8
9	025040-173	1	WASHER 4	32-3	028080-246	3	SPRING WASHEW 2-8
10	*	1	CAPACITOR	32-4	021080-206	3	NUT 8
11	J80557-001	1	CAPACITOR BAND	32-5	200190-001	5	STEPLA
12	J00179-001	1	SCREW 5X12DA	32-6	S03816-001	2	SCREW 4.5X16
13	219582-001	1	6P PLAG PM-N	33	J01370-001	1	LAMP FUSE ASSY (OPTION)
14	J80558-001	1	TUBE 0.5X8X500	33-1	215822-000	1	FUSE (5A)

A. Motor mechanism (2) / Motors (2)
 Mécanisme du moteur (2) / Mecanismo del motors (2)



REF. No.	CODE	Q'TY	NAME OF PARTS	REF. No.	CODE	Q'TY	NAME OF PARTS
40	J80910-001	1	EC AMATURE SHAFT ASSY	53	0A3501-005	3	SCREW 5X10D
41	J02368-001	1	CLUTCH SHAFT	54	228475-000	1	TYING BAND 1.9X80
42	J02267-001	1	KEY 5X5X14	55	J02335-001	1	WASHER 1.6X17X28
43	J03341-001	1	KEY 5X5X20	56	J02264-001	2	WASHER 0.3X17X30
44	210938-001	1	RUBBER WASHEW	57	J02265-001	2	WASHER 0.15X17X30
45	076203-601	2	BEALING 6203VV	58	J02266-001	3	WASHER 0.1X17X30
46	J80563-001	1	POLE	59	J02290-001	1	FRONT COVER
47	388403-001	1	WASHER	60	215080-001	3	SCREW 4X10D
48	388404-001	1	NUT 14	61	J02268-001	1	EC BRAKE AMATURE ASSY
49	J02364-001	1	EC BRACKET ASSY	62	014061-232	2	SCREW 6X12
49-1	J80567-001	1	TUBE 0.5X5X150	63	216205-000	1	WODRUFF KEY 4X13
49-2	J03399-001	1	PLUG COVER	64	*	1	PULLY
49-3	J80566-001	1	4P PLUG	65	028100-246	1	SPRING WASHER 2-10
49-4	216373-001	2	PLUG PIN 1381	66	J02289-001	1	NUT M10-P1
50	J02263-001	6	WASHER 3X5X16	67	J02291-001	1	BELT COVER
51	0A3501-605	3	SCREW 5X16D	68	J02292-001	1	SUB BELT COVER
52	J02262-001	1	EC BRAKE STATOR	69	215081-001	4	SCREW 4X10DB
52-1	J80567-001	1	TUBE 0.5X5X150	70	J02294-001	1	BELT DROPPING PROTECTOR
52-2	217133-001	2	PLUG PIN 1380	71	J02293-001	1	FINGER GUARD
52-3	J03303-001	1	CORK PLATE 3.5X73X115	72	224508-001	2	SCREW 4X10DC

B. Control box / Schaltkasten
 Boîtier de commande / Caja de controles



REF. No.	E-1, -2, -3			REF. No.	E-1, -2, -3		
	CODE	Q'TY	NAME OF PARTS		CODE	Q'TY	NAME OF PARTS
1	J03395-001	1	INSTALL PLATE EC#2	25	S38352-101	1	WANING LABEL
2	J02039-001	1	FOOT PLUG CAP	26	J80833-001	1	TREADLE UNIT
3	J00353-001	4	SCREW 5X14DB	26-1	J80834-001	1	P-S CIRCUIT UNIT
4	062401-063	1	SCREW 4X10	26-2	J80911-001	1	TREADLE BASE ASSY
5	028040-245	1	SPRING WASHER 2-4	26-2-1	J03640-001	1	SPRING 1.2X26
6	025040-173	1	WASHER 4	26-3	J03417-001	1	EARTH CODE
7	*	1	TRANSFOMER	26-4	229017-001	1	SCREW 4X10DA
8	J02514-001	2	SCREW 4X60DA	27	J00353-001	3	SCREW 5X14DB
11	027040-126	1	TOOTHED LOCK WASHER 4	28	229017-001	1	SCREW 4X10DA
12	J03401-001	1	CLT/BRK PLUG UNIT#2	29	J02832-001	1	EARTH CODE ASSY
13	229017-001	1	SCREW 4X10DA	30	J80800-001	1	FOOT CONNECTOR (OPTION)
14	J03425-001	1	EC-T PLUG UNIT	31	219225-000	1	FUSE 8A
15	229017-001	1	SCREW 4X10DA	32	J03574-001	1	EC THRAD TRIMMER CONNECTING CORD
16	J80873-001	1	CONTROL CIRCUIT UNIT E-3				
17	215081-001	2	SCREW 4X10DB				
18	J03396-001	1	UNDER COVER#2				
19	---	2	NAME PLATE				
20	215081-001	2	SCREW 4X10DB				
21	J03397-001	1	FRONT COVER EC#2				
22	J03421-001	2	SCREW 4X25DB				
23	J03449-001	1	CODE LABEL				

DIFFERENT PARTS LIST/ZUBEHÖRLISTE
LISTE DES PIECES ACCESSOIRES/LISTA DE PIEZAS ACCESORIAS

MACHINE MODEL		Single phase					Three Phase		
REF.No.	SUB -CLASS	110V	125V	220V	230V	240V	220V	380V	400V
	MOTOR (Plug Type)	J80591-001 (1-110V)		J80592-001 (1-220V)	J80593-001 (1-230V)		J80595-001 (3-220V)	J80596-001 (3-400V)	
	MOTOR (Terminal type)		---		J80594-001 (1-230V)		---	J80597-001 (3-400V)	
A-1	ROTOR&STATOR ASSY	J80769-001		J80770-001	J80771-001		J0773-001	J80774-001	
A-2	REAR COVER(PLUGTYPE)				J02366-001				
	(TAMINAL TYPE)		---		J02299-001		---	J02299-001	
A-10	CAPACITOR	J80555-001(26 F)		J80556-001(6 F)				---	
B-7	TRANSFORMER	J03423-001						J03424-001	
C-11	SWITCH ASSY (OCR)	J02196-001(PLUG TYPE)			J02332-001(PLUG TYPE)				
		J02340-001(TERMINAL TYPE)			J02341-001(TERMINAL TYPE)				
		J02330-001		J02331-001		J02342-001	J02334-001		
C-34	(AUSTRALIA)	---		J02398-001			---		

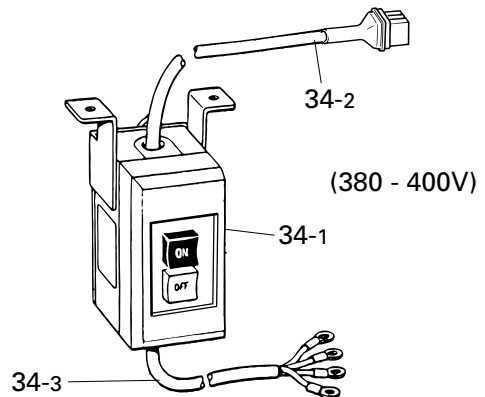
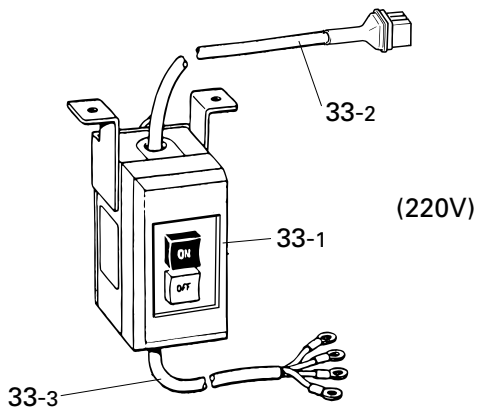
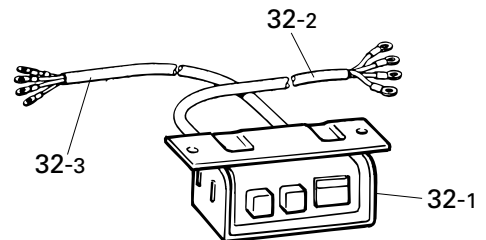
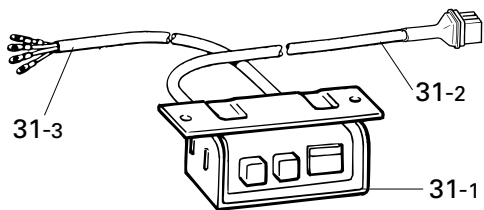
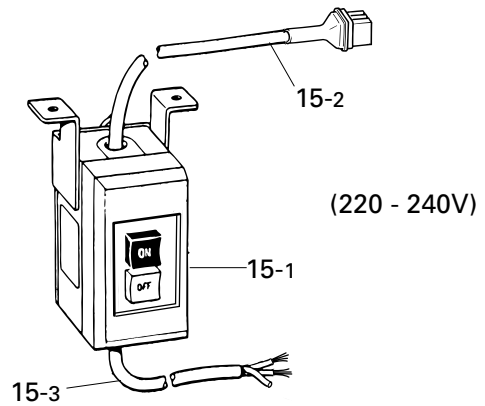
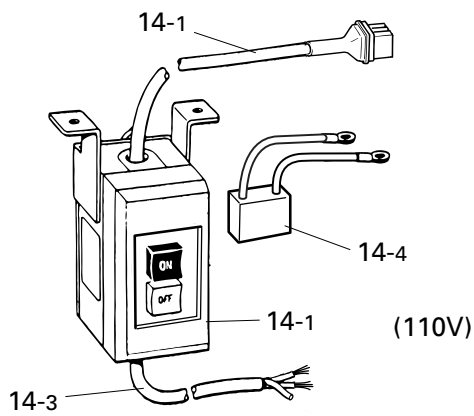
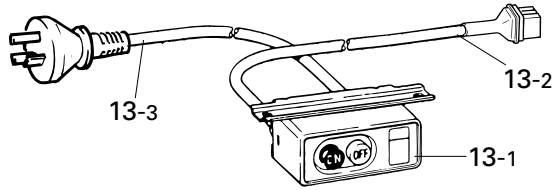
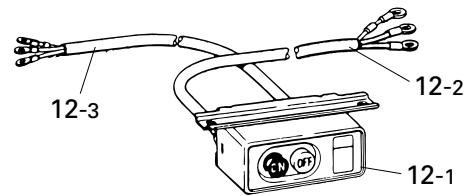
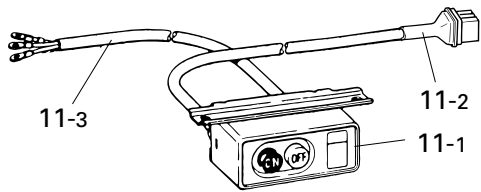
CONTROL BOX FOR SUPPLY LIST

E-1		PARTS No.	7.8.9. DIGIT				
VOLTAGE	TREADLE UNIT		1^6 DIGIT r.p.m.	025	035	040	045
110V	K Type	J80838-	K21	K41	K51	K61	K71
125V							
220V~240V/ 380V/400V	K Type	J80840-	K22	K42	K52	K62	K72

PULLY

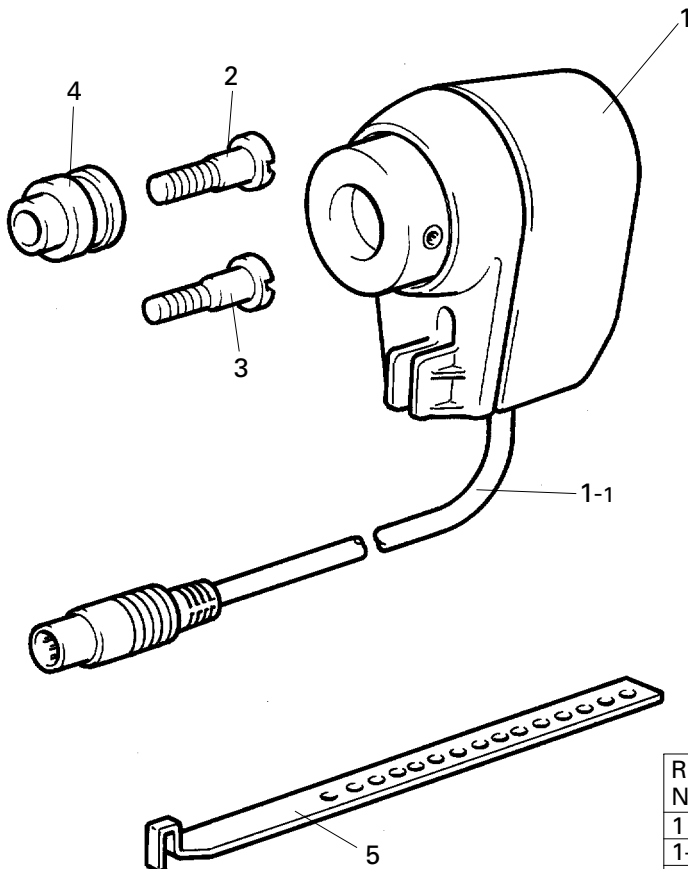
HERTZ						
50		J02274-001 (Q 70)	J02279-001 (Q 95)	J02282-001 (Q 110)	J02283-001 (Q 115)	J02288-001 (Q 140)
60		J02271-001 (Q 55)	J02276-001 (Q 80)	J02278-001 (Q 90)	J02280-001 (Q 100)	J02283-001 (Q 115)

C. Switch box mechanism / Schaltkasten
 Boîtier d'interrupteurs / Caja de interruptores



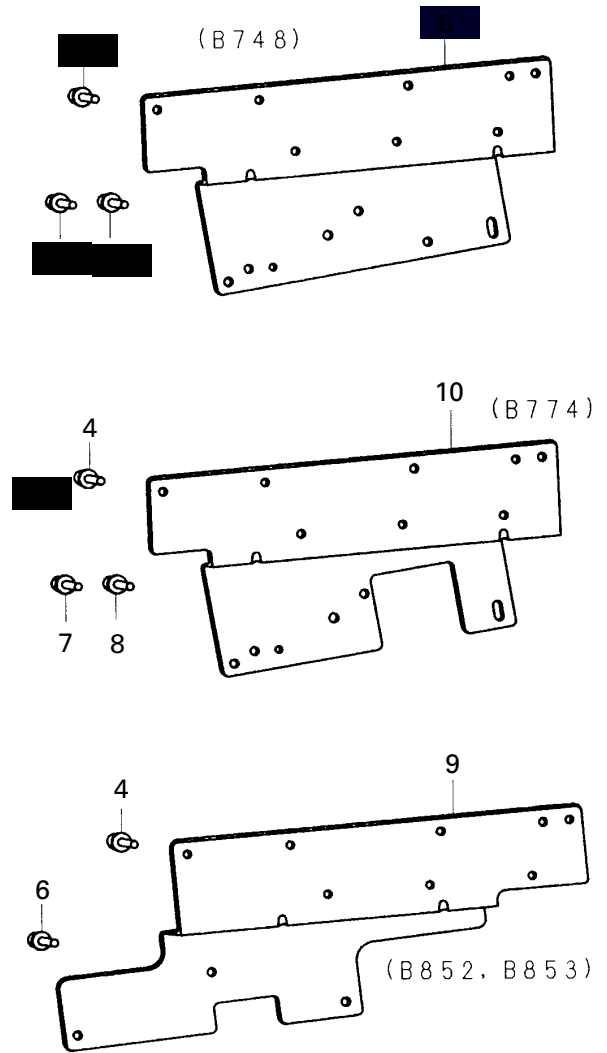
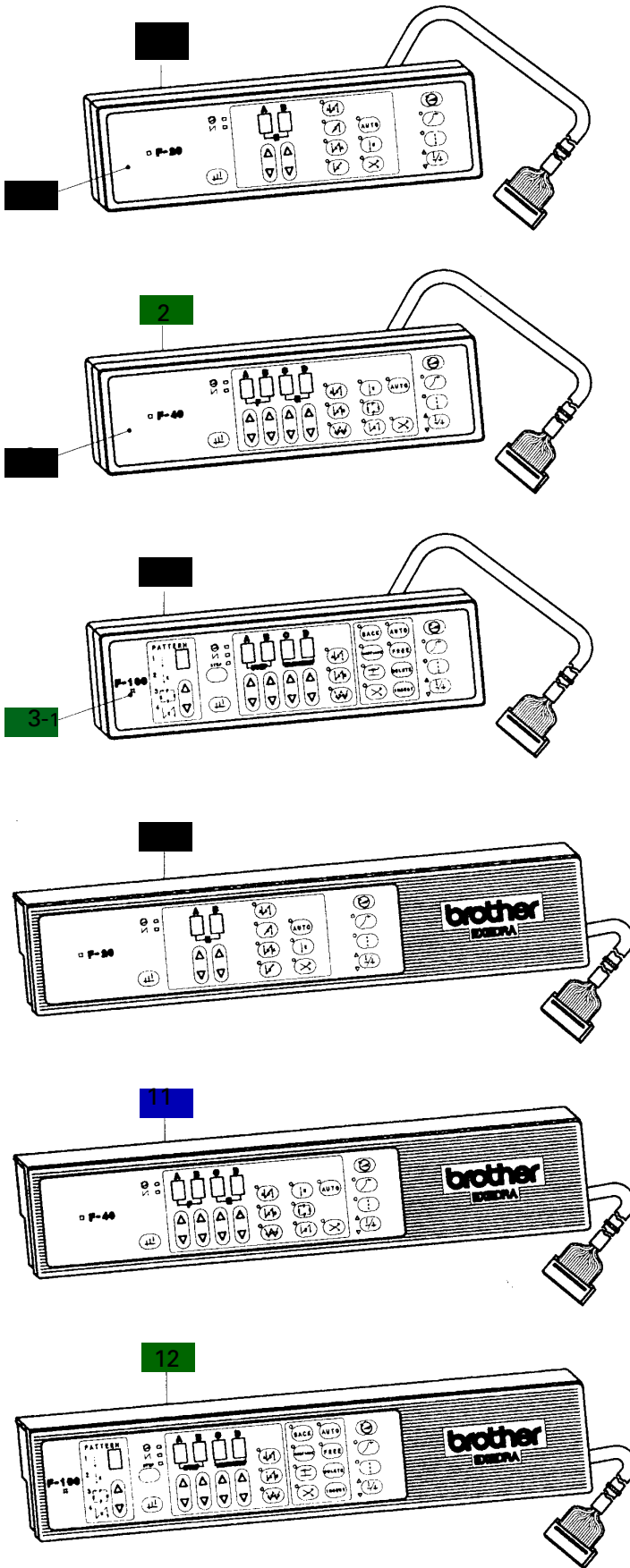
REF. No.	CODE	Q'TY	NAME OF PARTS	REF. No.	CODE	Q'TY	NAME OF PARTS
11	J02196-001	1	SPSWITCH ASSEMBLY#EC1-1	31	J02332-001	1	3P SWITCH ASSEMBLY#EC3-1
11-1	J02657-001	1	3PSWITCH#17	31-1	J02657-001	1	3P SWITCH#17
11-2	J02202-001	1	9P PLUG ASSY#EC1	31-2	J02197-001	1	9P PLUG ASSY#EC3
11-3	J80570-001	1	POWER SUPPLY CORD#EC1	31-3	J80573-001	1	POWER SUPPLY CORD#EC3
12	J02340-001	1	2P SWITCH ASSEMBLY#EC1-2	32	J02341-001	1	3P SWITCH ASSEMBLY#EC3-2
12-1	J02657-001	1	3P SWITCH#17	32-1	J02657-001	1	3P SWITCH#17
12-2	J80574-001	1	3P CORD#EC1-2	32-2	J80575-001	1	4P-CORD#3-2
12-3	J80570-001	1	POWER SUPPLY CORD#EC1	32-3	J80573-001	1	POWER SUPPLY CORD#EC3
13	J02398-001	1	2P SWITCH ASSEMBLY#EC1-3	33	J02342-001	1	3P SWITCH ASSEMBLY#EC3-6
13-1	J02657-001	1	EP SWITCH#17	33-1	J80576-001	1	3P OCR-SWITCH#3-6
13-2	J02202-001	1	9P PLUG ASSY#EC1	33-2	J02197-001	1	9P PLUG ASSY#EC3
13-3	236129-001	1	SA POWER CORD	33-3	J80573-001	1	POWER SUPPLY CORD#EC3
14	J02330-001	1	2P SWITCH ASSEMBLY#EC1-6	34	J02334-001	1	3P SWITCH ASSEMBLY#EC3-7
14-1	J80571-001	1	2P OCR-SWITCH#1-6	34-1	J80577-001	1	3P OCR-SWITCH#3-7
14-2	J02202-001	1	9P PLUG ASSY#EC1	34-2	J02197-001	1	9P PLUG ASSY#EC3
14-3	J80570-001	1	POWER SUPPLY CORD#EC1	34-3	J80573-001	1	POWER SUPPLY CORD#EC3
14-4	J80583-001	1	CAPACITOR(0.1 F)				
15	J02331-001	1	2P SWITCH ASSEMBLY#EC1-7				
15-1	J80572-001	1	SP OCR-SWITCH#1-7				
15-2	J02202-001	1	9P PLUG ASSY#EC1				
15-3	J80570-001	1	POWER SUPPLY CORD#EC154				

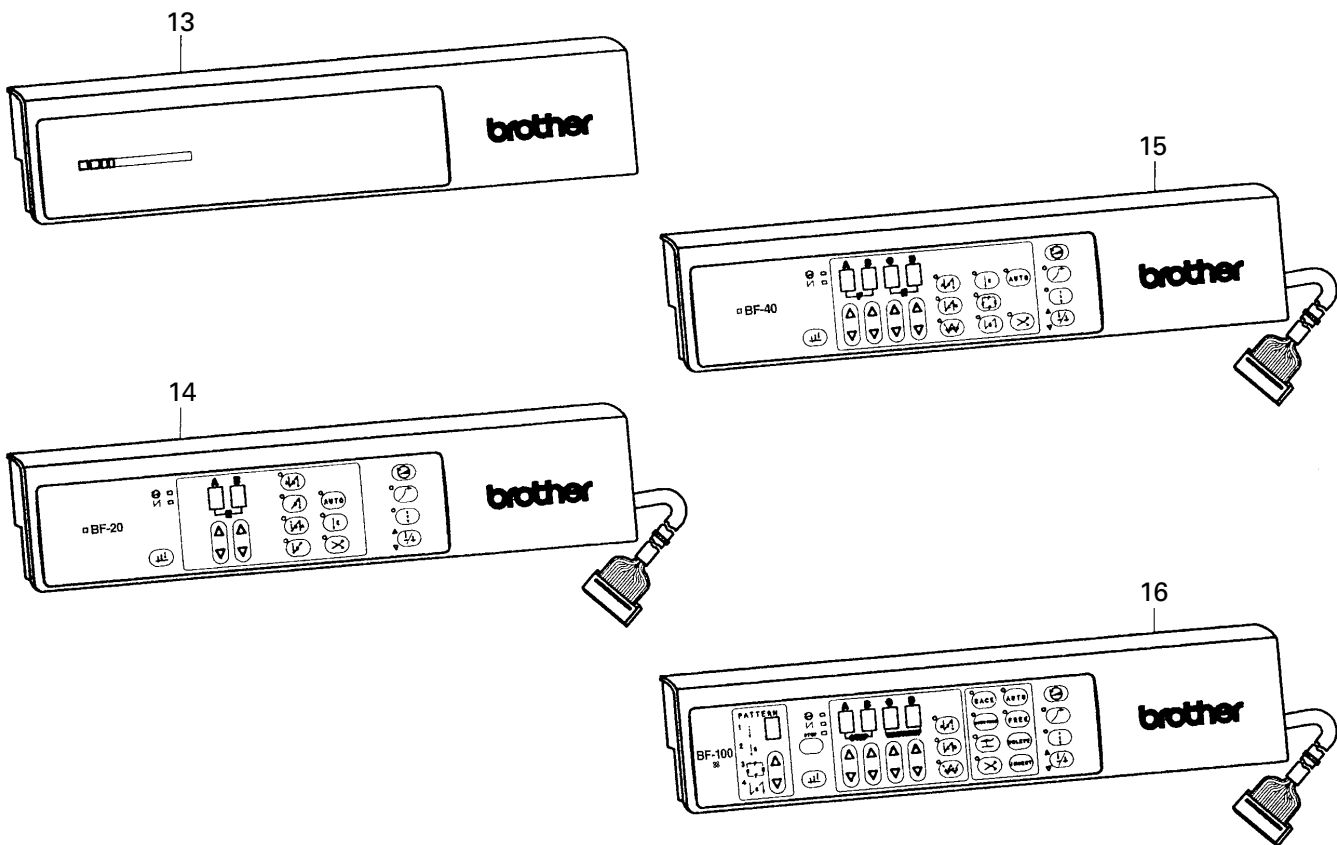
D. Synchronizer / Synchronisator / Synchroniseur / Sincronizador



REF. No.	CODE	Q'TY	NAME OF PARTS
1	J80347-001	1	SYNCHRONIZER#17-2
1-1	J80582-001	1	SY CODE ASSY#17
2	J01252-001	1	SCREW 11/32-28
3	J01253-001	1	SCREW 5/16-24
4	J01251-001	1	BOSS 22.2
5	J01473-001	1	SY-HOLDER

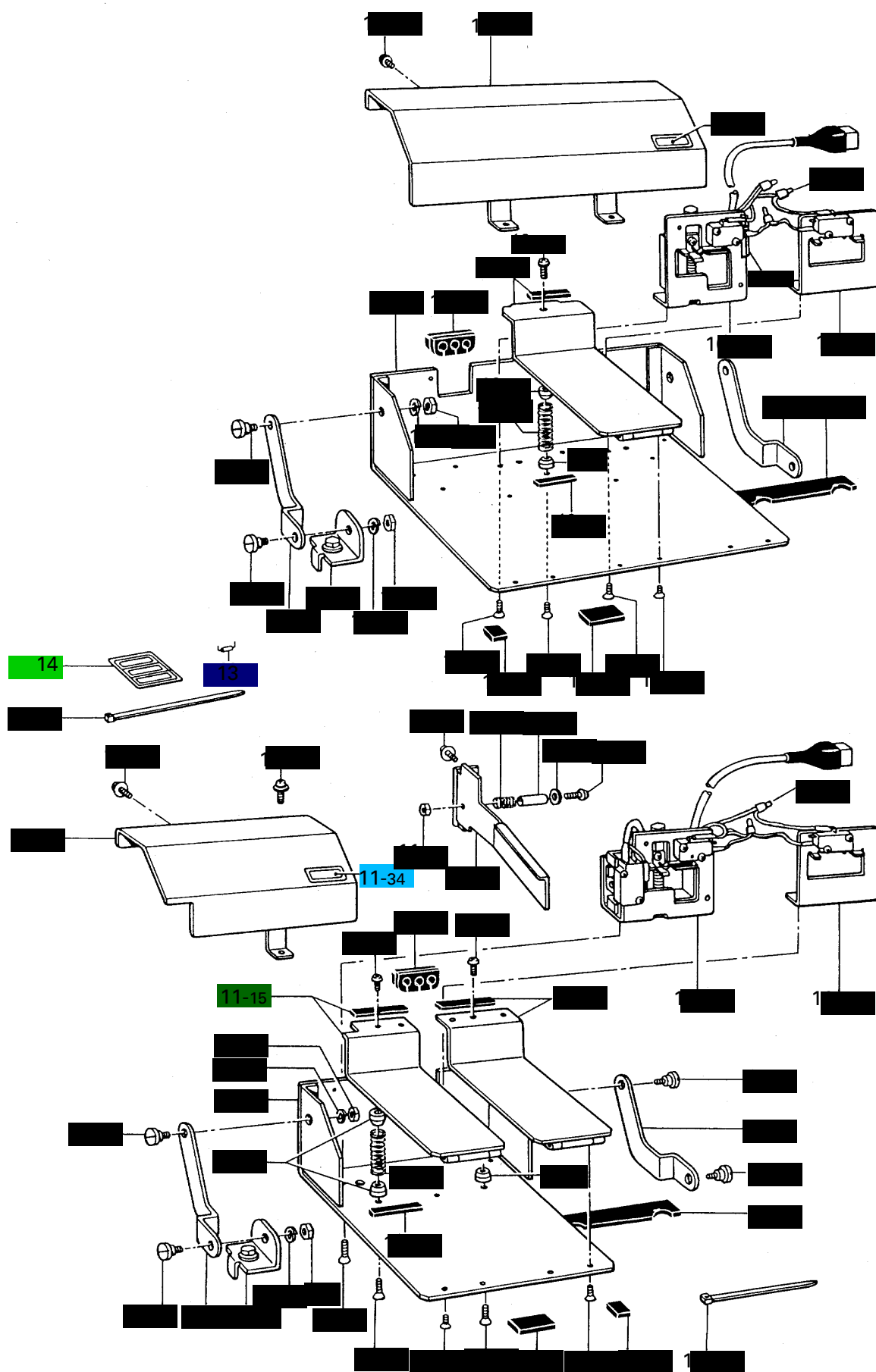
E. Operation panel / Bedienungstafel
 Panneau de commande / Panel de control





REF. No.	CODE	Q'TY	NAME OF PARTS
1	137-207-711-10	1	F-20 OPERATION PANEL
1-1	J01990-001	1	F-20 PANEL PLATE
2	137-207-712-10	1	F-40 OPERATION PANEL
2-1	J01989-001	1	F-40 PANEL PLATE
3	137-207-713-10	1	F-100 OPERATION PANEL
3-1	J01988-001	1	F-100 PANEL PLATE
4	215081-002	3	SCREW 4X10DB
5	J02058-001	1	HB-SETTING-PLATE#F1
6	062681-212	3	SCREW 437-40X12
7	062671-212	3	SCREW 357-40X12
8	J02566-001	1	HB-SETTING-PLATE#F2
9	J02567-001	1	HB-SETTING-PLATE#F5
10	137-207-711-11	1	F-20 OPERATION PANEL
11	137-207-712-11	1	F-40 OPERATION PANEL
12	137-207-713-11	1	F-100 OPERATION PANEL
13	J80633-001	1	BF-0 OPERATION PANEL
14	137-207-811-11	1	BF-20 OPERATION PANEL
15	137-207-812-11	1	BF-40 OPERATION PANEL
16	137-207-813-11	1	BF-100 OPERATION PANEL

F. Pedal for standing operation / Fusstritt für stehenden Arbeitsplatz
Pédale pour opération en station debò / Pedal para operar de pie



PEDAL FOR STANDING OPERATION

REF. No.	CODE	Q'TY	NAME OF PARTS
10	*	1	PEDAL ASSEMBLY
10-1	233217-002	1	PEDAL BASE ASSEMBLY
10-2	233221-003	1	ARM CLAMP#L
10-3	233222-003	1	ARM CLAMP#R
10-4	233223-001	4	STUD SCREW 8X16.7
10-5	028080-242	4	SPRING WASHER 2-8
10-6	021080-302	4	NUT 8
10-7	233224-002	2	PEDAL CLAMP ASSEMBLY
10-8	233231-001	6	SPRING CUSHION#23
10-9	061401-205	3	SCREW 4X12
10-10	233233-001	3	SPRING 1.2X12X57
10-11	233232-001	3	RUBBER PLATE1.6X5X45
10-12	233228-001	1	RUBBER PLATE3.2X20X286
10-13	233229-001	2	RUBBER PLATE3.2X20X46
10-14	233230-001	2	RUBBER PLATE3.2X20X15
10-15	238188-001	3	PEDAL ASSEMBLY
10-16	217093-001	3	SCREW 4X12D
10-17	061400-402	6	SCREW 4X4
10-18	*	1	SPEED CONTROLLER
10-19	061401-205	6	SCREW 4X12
10-20	J02950-001	2	M.SWITCH ASSEMBLY
10-21	233250-001	1	F.P BUSH
10-22	233251-003	1	PEDAL COVER
10-23	233236-001	4	SCREW 4X5DA
10-24	*	1	IDENTIFICATION LABEL
10-25	J01585-001	3	FLAT CONNECTOR CE1
10-26	233516-001	1	EDGING 2.4X40

*

REF. No.	VARIABLE TYPE	TWO SPEED TYPE
10	J80380-040	J80630-001
10-18	J01855-001	J02949-001
10-24	233487-002	233488-002

PEDAL FOR STANDING OPERATION
(SIDE ACTION AND VARIABLE SPEED TYPE)

REF. No.	CODE	Q'TY	NAME OF PARTS
11	J80081-040	1	PEDAL THREAD TRIM #6
11-1	238194-001	1	PEDAL BASE ASSEMBLY#5
11-2	233221-003	1	ARM CLAMP#L
11-3	233222-003	1	ARM CLAMP#R
11-4	233223-001	4	STUD SCREW 8X16.7
11-5	028080-242	4	SPRING WASHER 2-8
11-6	021080-302	4	NUT 8
11-7	233224-002	2	PEDAL CLAMP ASSEMBLY
11-8	233231-001	4	SPRING CUSHION#23
11-9	061401-205	2	SCREW 4X12
11-10	233233-001	2	SPRING 1.2X12X57
11-11	233232-001	2	RUBBER PLATE1.6X5X45
11-12	S14823-001	1	RUBBER PLATE3.2X20X186
11-13	233229-001	1	RUBBER PLATE3.2X20X46
11-14	233230-001	2	RUBBER PLATE3.2X20X15
11-15	238186-001	1	PEDAL ASSEMBLY (SREED)
11-16	238188-001	1	PEDAL ASSEMBLY
11-18	217093-001	1	SCREW 4X12D
11-19	061400-402	4	SCREW 4X4
11-20	238191-001	1	PEDAL TRIMMER ASS.#2
11-21	225534-001	2	SCREW 4X8DA
11-22	062402-005	1	SCREW 4X20
11-23	025040-335	1	WASHER 4
11-24	J00021-001	1	TUBE T5X12
11-25	228957-001	1	SPRING 8X30
11-26	021400-305	1	NUT 4
11-27	J01084-001	1	SPEED CONTROLLER#6
11-28	061401-205	4	SCREW 4X12
11-29	J02950-001	1	M. SWITCH ASSEMBLY
11-31	233250-001	1	F.P BUSH
11-32	238196-001	1	PEDAL COVER#5
11-33	233236-001	3	SCREW 4X6DA
11-34	J01089-001	1	IDENTIFICATION LABEL
11-35	228475-000	2	TYING BAND 1.9X80
11-36	J00074-001	2	FLAT CONNECTOR CE2
12	233491-001	2	TYING BAND 3.6X203
13	200190-001	4	STEPLE
14	233515-001	1	LABEL

INDEX/VERZEICHNIS
INDEX/INDICE

PARTS NO.	REF. NO.	PARTS NO.	REF. NO.
011500-612	A-1-7	233222-003	F-10-3, F-11-3
014500-832	A-26	233223-001	F-10-4, F-11-4
014061-232	A-62	233224-002	F-10-7, F-11-7
017501-005	A-27	233228-001	F-10-12
021080-206	A-32-4	233229-001	F-10-13, F-11-13
021080-302	F-10-6, F-11-6	233230-001	F-10-14, F-11-14
021100-206	A-29	233231-001	F-10-8, F-11-8
021400-305	F-11-26	233231-001	F-11-8
025040-173	A-9, B-6	233232-001	F-10-11, F-11-11
025040-335	F-11-23	233233-001	F-10-10, F-11-10
025080-336	A-32-2	233236-001	F-10-23, F-11-33
025100-236	A-30	233250-001	F-10-21, F-11-31
027040-126	B-11	233251-001	F-10-22
028040-245	A-8, B-5	233487-002	F-10-24, F-11-34
028080-242	F-10-5, F-11-5	233488-002	F-10-24
028080-246	A-32-3	233491-001	F-12
028100-246	A-31, A-65	233515-001	F-14
061400-402	F-10-17, F-11-19	233516-001	F-10-26
061401-205	F-10-9, F-10-19	236129-001	C-13-3
062401-063	A-7, B-4	236918-001	A-32
062402-005	F-11-22	238186-001	F-11-15
062671-212	E-7	238188-001	F-10-15, F-11-16
062681-212	E-6	238191-001	F-11-20
076203-601	A-1-2, A-45	238194-001	F-11-1
0A3501-005	A-53	238196-001	F-11-32
0A3501-605	A-1-10, A-51	388403-001	A-1-13, A-47
0A4401-605	A-23	388404-001	A-1-12, A-48
137-207-711-10	E-1	J00021-001	F-11-24
137-207-711-11	E-10	J00074-001	F-11-36
137-207-712-10	E-2	J00179-001	A-6, A-12
137-207-712-11	E-11	J00193-001	A-21
137-207-713-10	E-3	J00353-001	B-3, B-27
137-207-713-11	E-12	J01084-001	F-11-27
137-207-811-11	E-14	J01089-001	F-11-34
137-207-812-11	E-15	J01251-001	D-4
137-207-813-11	E-16	J01252-001	D-2
200190-001	A-32-5, F-13	J01253-001	D-3
206156-001	A-1-4	J01370-001	A-33
210938-001	A-44	J01473-001	D-5
210940-000	A-1-3	J01585-001	F-10-25
211528-001	A-18	J01855-001	F-10-18
215080-001	A-60	J01988-001	E-3-1
215081-001	A-69, B-17, B-20	J01989-001	E-2-1
215081-002	E-4	J01990-001	E-1-1
215822-000	A-33-1	J02039-001	B-2
216205-000	A-63	J02058-001	E-5
216373-001	A-15, A-49-4	J02196-001	C-11
217093-001	F-10-16, F-11-18	J02197-001	C-31-2, C-33-2
217133-001	A-16, A-52-2	J02202-001	C-11-2, C-13-2
219225-001	B-31	J02262-001	A-52
219582-001	A-13	J02263-001	A-1-9, A-50
222372-001	A-32-1	J02264-001	A-56
224508-001	A-72	J02265-001	A-57
225534-001	F-11-21	J02266-001	A-58
228475-000	A-54, F-11-35	J02267-001	A-42
228957-001	F-11-25	J02268-001	A-61
229017-001	B-13, B-15, B-28	J02271-001	A-64
233217-002	F-10-1	J02274-001	A-64
233221-003	F-10-2, F-11-2	J02276-001	A-64

PARTS NO.	REF. NO.	PARTS NO.	REF. NO.
J02278-001	A-64	J80558-001	A-14
J02279-001	A-64	J80559-001	A-17
J02280-001	A-64	J80560-001	A-22
J02282-001	A-64	J80561-001	A-25
J02283-001	A-64	J80562-001	A-28
J02288-001	A-64	J80563-001	A-46
J02289-001	A-66	J80566-001	A-49-3
J02290-001	A-59	J80567-001	A-49-1, A-52-1
J02291-001	A-67	J80570-001	C-11-3, C-12-3
J02292-001	A-68	J80571-001	C-14-1
J02293-001	A-71	J80572-001	C-15-1
J02294-001	A-70	J80573-001	C-31-3, C-32-3
J02299-001	A-2	J80574-001	C-12-2
J02330-001	C-11, C-14	J80575-001	C-32-2
J02331-001	C-11, C-15	J80576-001	C-33-1
J02332-001	C-31	J80577-001	C-34-1
J02334-001	C-34	J80582-001	D-1-1
J02335-001	A-55	J80583-001	C-14-4
J02340-001	C-11, C-12	J80591-001	DIF. PARTS LIST
J02341-001	C-32	J80592-001	DIF. PARTS LIST
J02342-001	C-33	J80593-001	DIF. PARTS LIST
J02364-001	A-49	J80594-001	DIF. PARTS LIST
J02366-001	A-2	J80595-001	DIF. PARTS LIST
J02367-001	A-19	J80596-001	DIF. PARTS LIST
J02368-001	A-41	J80597-001	DIF. PARTS LIST
J02396-001	A-24	J80630-001	F-10
J02398-001	C-13	J80633-001	E-13
J02514-001	B-8	J80769-001	A-1
J02566-001	E-8	J80770-001	A-1
J02567-001	E-9	J80771-001	A-1
J02657-001	C-31-1	J80773-001	A-1
J02832-001	B-29	J80774-001	A-1
J02949-001	F-10-18	J80800-001	B-30
J02950-001	F-10-20, F-11-29	J80827-001	B-16
J03303-001	A52-3	J80834-001	B-26-1
J03341-001	A-43	J80838-025	CON. BOX LIST
J03395-001	B-1	J80838-035	CON. BOX LIST
J03396-001	B-18	J80838-040	CON. BOX LIST
J03397-001	B-21	J80838-045	CON. BOX LIST
J03399-001	A-49-2	J80838-050	CON. BOX LIST
J03401-001	B-12	J80840-025	CON. BOX LIST
J03417-001	B-26-3	J80840-035	CON. BOX LIST
J03421-001	B-22	J80840-040	CON. BOX LIST
J03423-001	B-7	J80840-045	CON. BOX LIST
J03424-001	B-7	J80840-050	CON. BOX LIST
J03425-001	B-14	J80873-001	B-26
J03449-001	B-23	J80910-001	A-40
J03506-001	A-20	J80911-001	B-26-2
J03574-001	B-32	S03816-001	A-32-6
J03640-001	B-26-2-1	S14823-001	F-11-12
J80081-040	F-11	S38352-101	B-25
J80347-001	D-1		
J80380-040	F-10		
J80551-001	A-1-8		
J80553-001	A-3		
J80554-001	A-5		
J80555-001	A-10		
J80556-001	A-10		
J80557-001	A-11		

