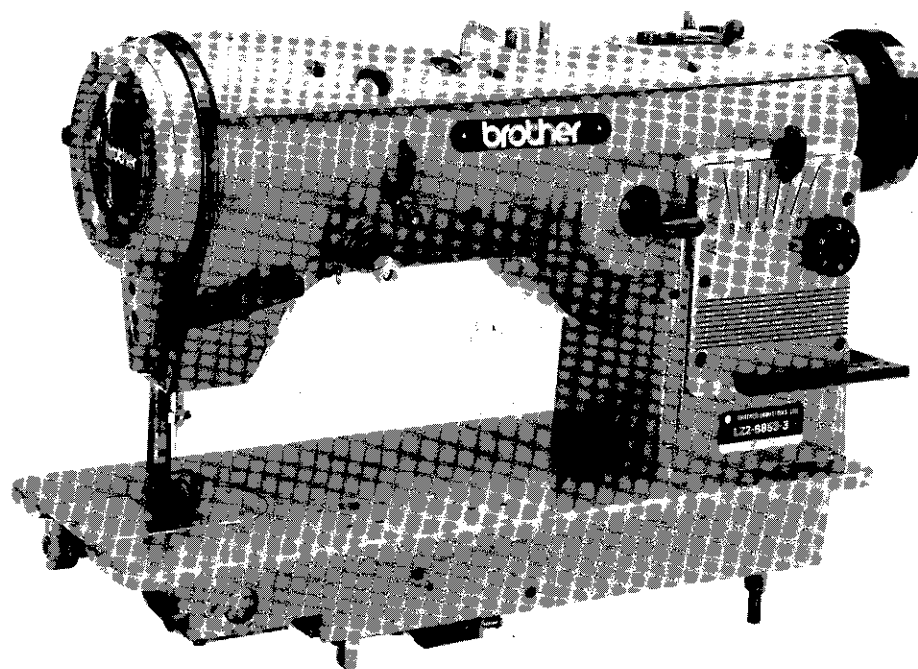


HB

brother

PARTS BOOK

LZ2-B853

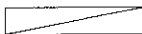


High Speed, Single Needle Lock and
Zigzag Stitch Sewing Machine

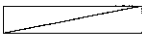
BROTHER INDUSTRIES, LTD.

NAGOYA, JAPAN

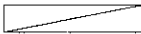
Notes for using this parts book

1. The symbol  in the "Parts No." column indicates that the parts is not available for supply. If, however, there is a number in the "Assembly No." column, the parts can be ordered as an assembly. Please, therefore, order by using the Assembly number.
2. This book was prepared based on information available in May, 1982.
3. Parts are subject to changes in design without prior notice.

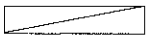
Anmerkungen zum Gebrauch dieses Stücklistebuches

1. Dieses Zeichen  in der Spalte "Teilnummer" bedeutet, daß dieser Teil nicht lieferbar ist. Wenn jedoch in der Spalte "Gerätesatznummer" eine Nummer steht, kann dieser Teil als ein Geräteteilsatz bestellt werden. Bestellen Sie daher bitte mit dieser Gerätesatznummer.
2. Dieses Buch basiert auf den Informationen vom Mai, 1982.
3. Modelländerungen sind vorbehalten.

Notes sur l'utilisation de ce manuel de pièces détachées

1. Le symbole  dans la colonne "N° de pièce" signifie que la pièce ne peut être fournie. Si, dans la colonne "N° jeu de pcs", il y a un numéro de nomenclature, la pièce peut être commandée comme faisant partie d'un jeu de pièces. Donc, pour toute commande, veuillez spécifier le n° du jeu du pièces.
2. Ce manuel a été fait d'après les renseignements valables au mois de Mai, 1982.
3. Les pièces peuvent être sujettes à des modifications sans préavis.

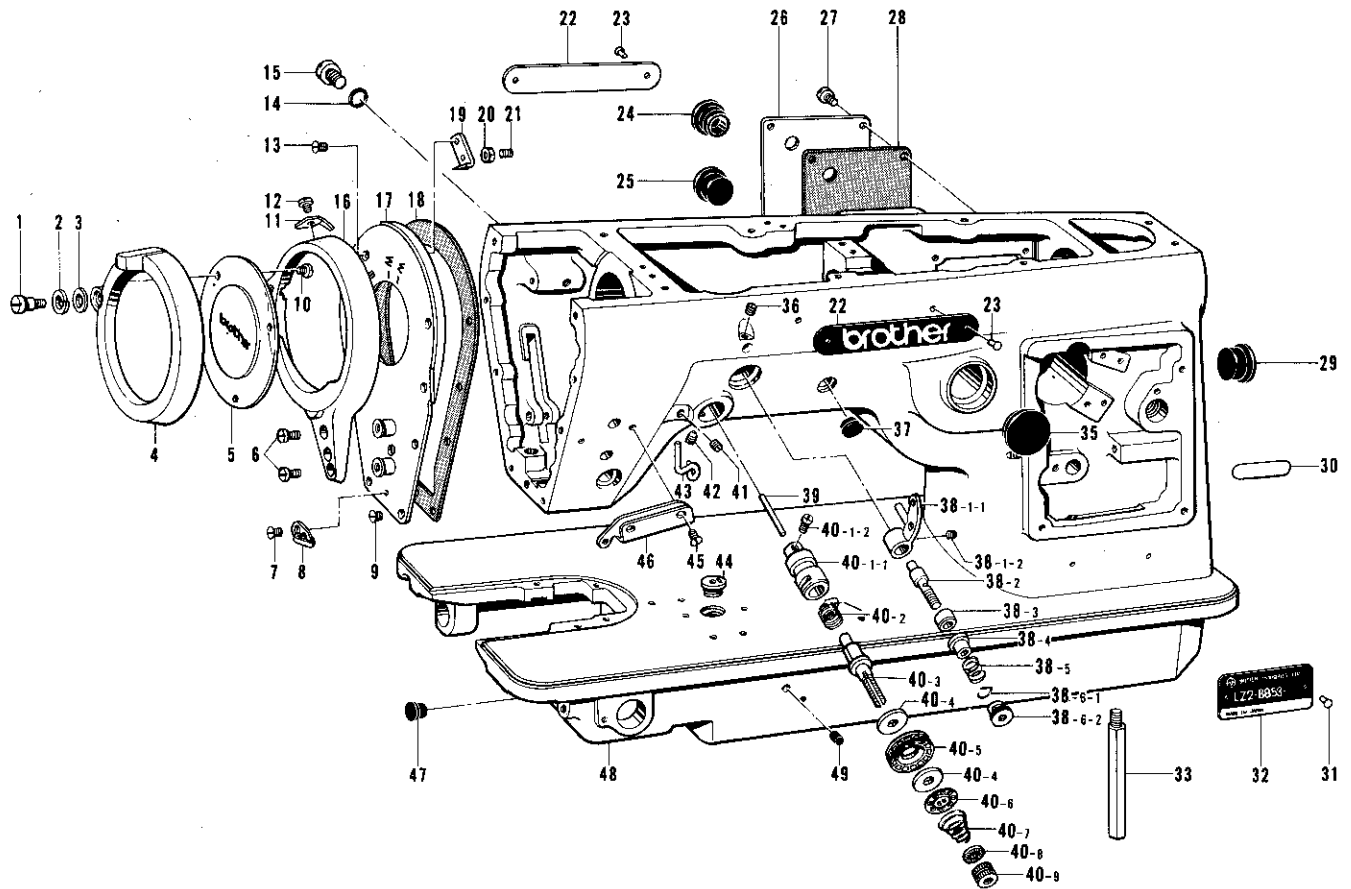
Notas para usar este Libro de Piezas

1. El símbolo , que se encuentra en la columna del "Número de Pieza", quiere decir que no se dispone de dicha pieza sola. Cuando, empero, hay un número en la columna del "Número de Juego", se podrá ordenar la pieza con todo el juego. Por lo tanto, será mejor hacer el pedido recurriendo al número del juego respectivo.
2. Este libro ha sido compilado basándose en los datos de que se disponía en Mayo de 1982.
3. Las piezas quedan sujetas a cambios de diseño sin aviso previo.

CONTENTS

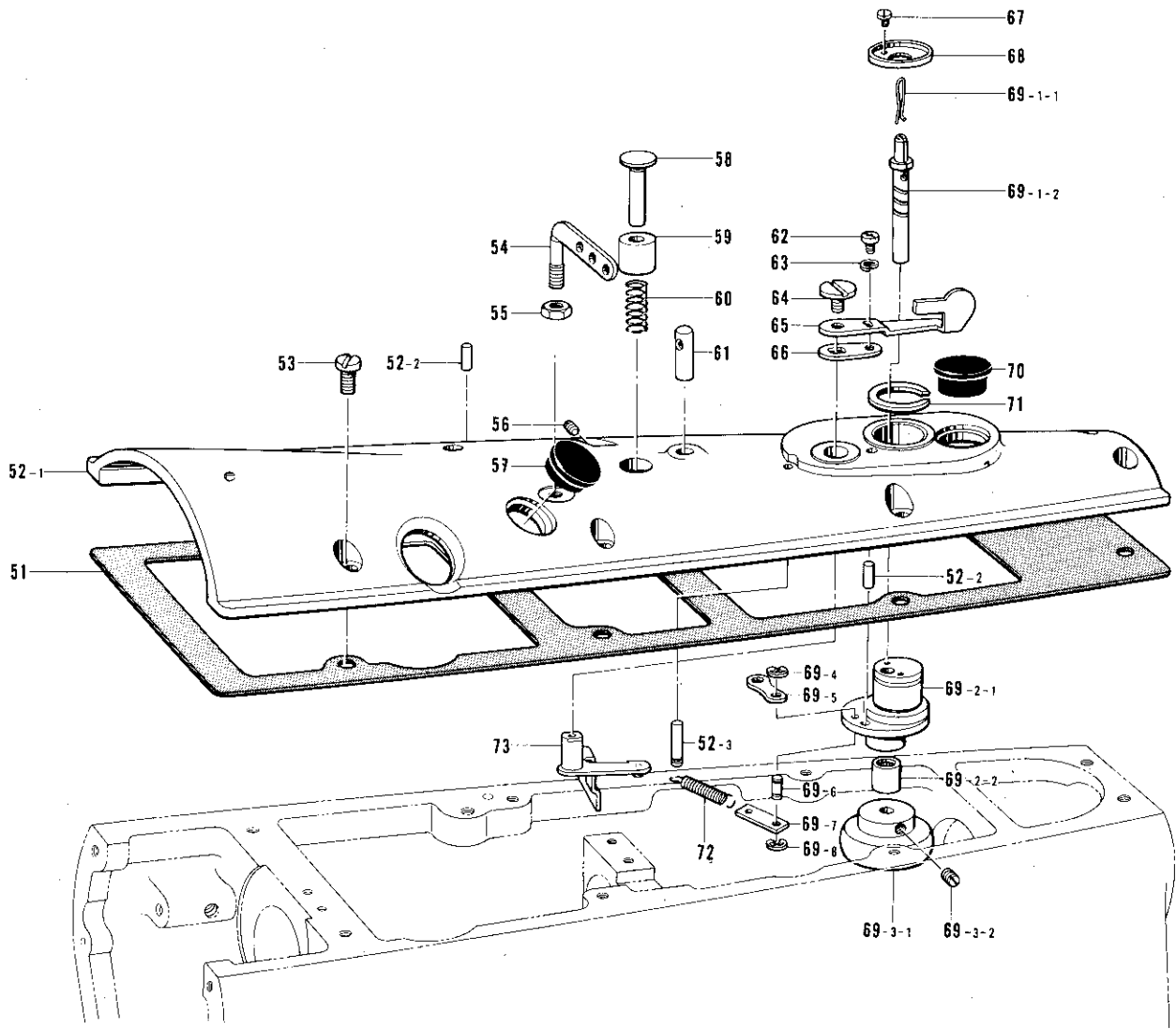
A. Machine Body, Threading and Bobbin Winder Mechanism (1)	1
A. Machine Body, Threading and Bobbin Winder Mechanism (2)	2
B. Needle Bar, Thread Take-up and Rotary Hook Mechanism (1)....	3
B. Needle Bar, Thread Take-up and Rotary Hook Mechanism (2)....	4
C. Feed Mechanism	5
D. Zigzag Mechanism	6
E. Presser Foot and Knee Lifter Mechanism	7
F. Lubrication (1).....	8
F. Lubrication (2).....	9
Z. Accessories	10
INDEX	11

A. Machine Body, Threading and Bobbin Winder Mechanism (1)



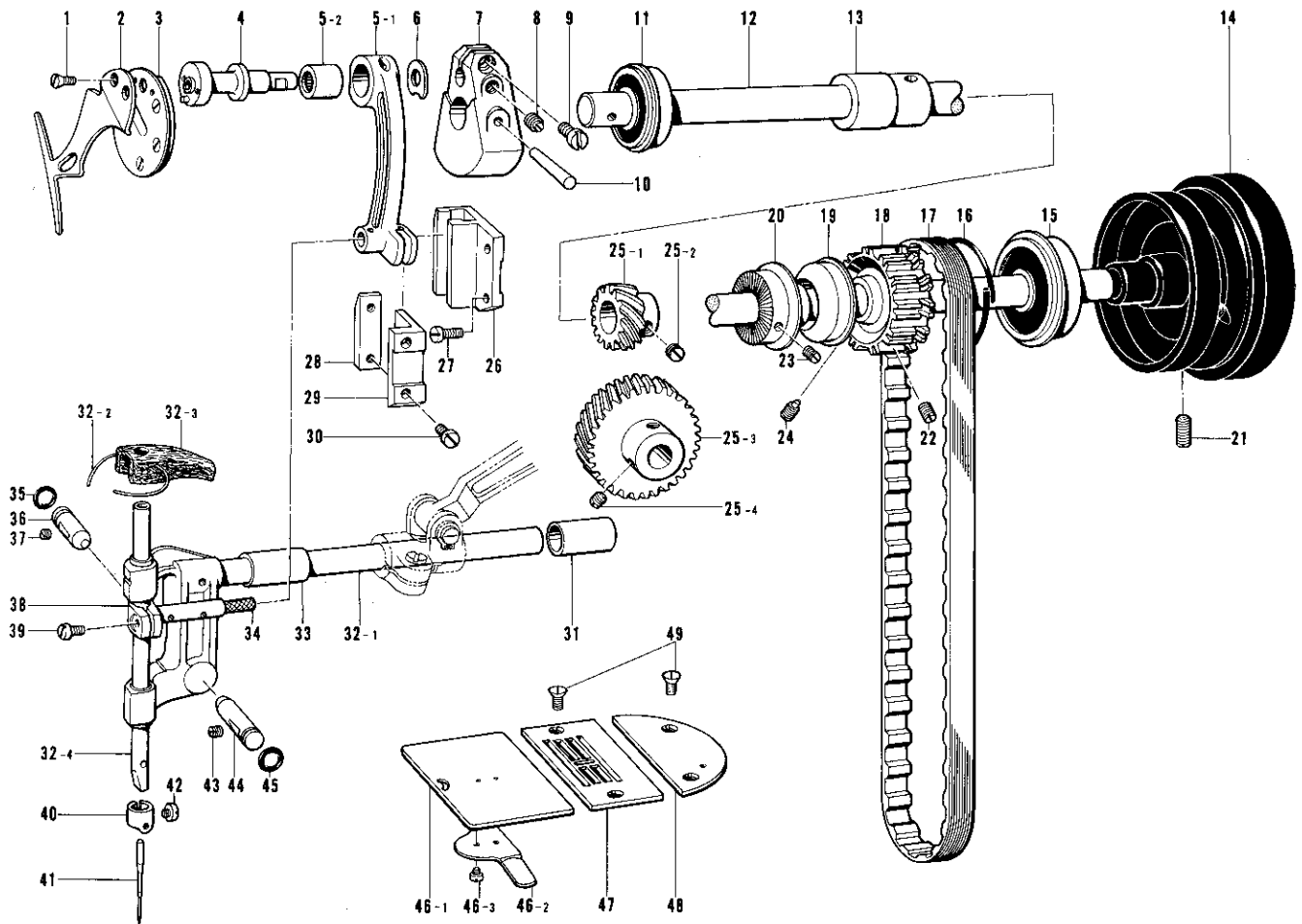
Ref. No.	Name of Parts	Q'ty	Parts No.	Assembly No.	Ref. No.	Name of Parts	Q'ty	Parts No.	Assembly No.
A-1	544298000 Screw	1	158202-0-01		A-36	Screw 3.57	1	013679-4-12	
A-2	Spring Washer 2-6.35	1	028770-2-42		A-37	Oil Cap	1	104821-0-01	
A-3	Washer 6.35	1	025770-2-32		A-38-1-1	Bracket	1		A-38-1 411021000 Bracket with Screw 158181-0-01
A-4	Thread Take-up Guard Cover	1	158047-0-01		A-38-1-2	000460833 Screw	1	158106-0-01	
A-5	Thread Take-up Guard Cover Window	1	158045-0-01		A-38-2	411018000 Stud	1	158182-0-01	A-38 411017000 Pretension Assembly 158105-0-01
A-6	Screw 4.37 x 8	2	009680-8-12		A-38-3	210958000 Disc	1	158184-0-01	
A-7	Screw 3.57	1	108960-0-02		A-38-4	210993000 Sleeve	1	158185-0-01	
A-8	276051000 Thread Guide	1	158197-0-01		A-38-5	272208000 Spring	1	158183-0-01	
A-9	Screw 3.57 x 6	8	003670-6-12		A-38-6-1	411020000 Pin	1	158187-0-01	A-38-6 411019000 Nut with Pin 158175-0-01
A-10	Screw 3.18	3	141544-0-01		A-38-6-2	541181000 Nut	1	158186-0-01	
A-11	50267000 Thread Cutter	1	158342-0-01		A-39	270086000 Release Pin	1	158228-0-01	
A-12	Screw 3.57 x 3.5	1	009679-3-12		A-40-1-1	Thread Take-up Spring Regulator Bracket	1		A-40-1 411026000 Sprig Regulator Bracket 158193-0-01
A-13	Screw 3.57 x 6	1	003670-6-12		A-40-1-2	050305850 Screw	1	158107-0-01	
A-14	O Ring PW5	1	081005-6-70		A-40-2	411153000 Thread Take-up Spring	1	158192-0-01	
A-15	500312850 Screw	1	158336-0-01		A-40-3	411158000 Tension Stud	1	158191-0-01	
A-16	Thread Take-up Guard	1	158046-0-01		A-40-4	411152000 Tension Felt	2	158195-0-01	A-40 411025000 Tension Assembly 158114-0-01
A-17	Face Plate	1	158058-0-01		A-40-5	411155000 Tension Disc Assembly	1	158188-0-01	
A-18	Face Plate Packing	1	158057-0-00		A-40-6	509076000 Tension Releasing Disc	1	158189-0-01	
A-19	411088000 Thread Cutter	1	158201-0-01		A-40-7	272219000 Tension Spring	1	158194-0-01	
A-20	Nut 3.57	1	021670-2-02		A-40-8	4111540001Washer	1	158196-0-01	
A-21	Screw 3.57 x 7	1	013670-7-12		A-40-9	541182000 Nut	1	158190-0-01	
A-22	Name Plate	2			A-41	Screw 5.95	1	103950-0-03	
A-23	Pin	4			A-42	Screw 3.57	1	013679-4-12	
A-24	502751000 Oil Cap	1	158203-0-01		A-43	502666000 Thread Guide	1	158198-0-00	
A-25	Oil Cap	1	108520-0-01		A-44	502925000 Screw	1	158200-0-01	
A-26	Rear Cover R	1	158073-0-01		A-45	Screw 3.57	2	102538-0-02	
A-27	Screw 4.37	6	106629-0-02		A-46	502665000 Thread Guide	1	158199-0-01	
A-28	Rear Cover Packing R	1	158072-0-00		A-47	Oil Cap	1	104450-0-01	
A-29	Oil Cap	1	108520-0-01		A-48	Arm Bed	1		
A-30	Parts Book Number Plate	1			A-49	Lever Stopper	1	154578-0-00	
A-31	Pin	2							
A-32	Model Plate	1							
A-33	Bed Leg	2	156352-0-01						
A-35	Oil Cap	1	151418-0-01						

A. Machine Body, Threading and Bobbin Winder Mechanism (2)



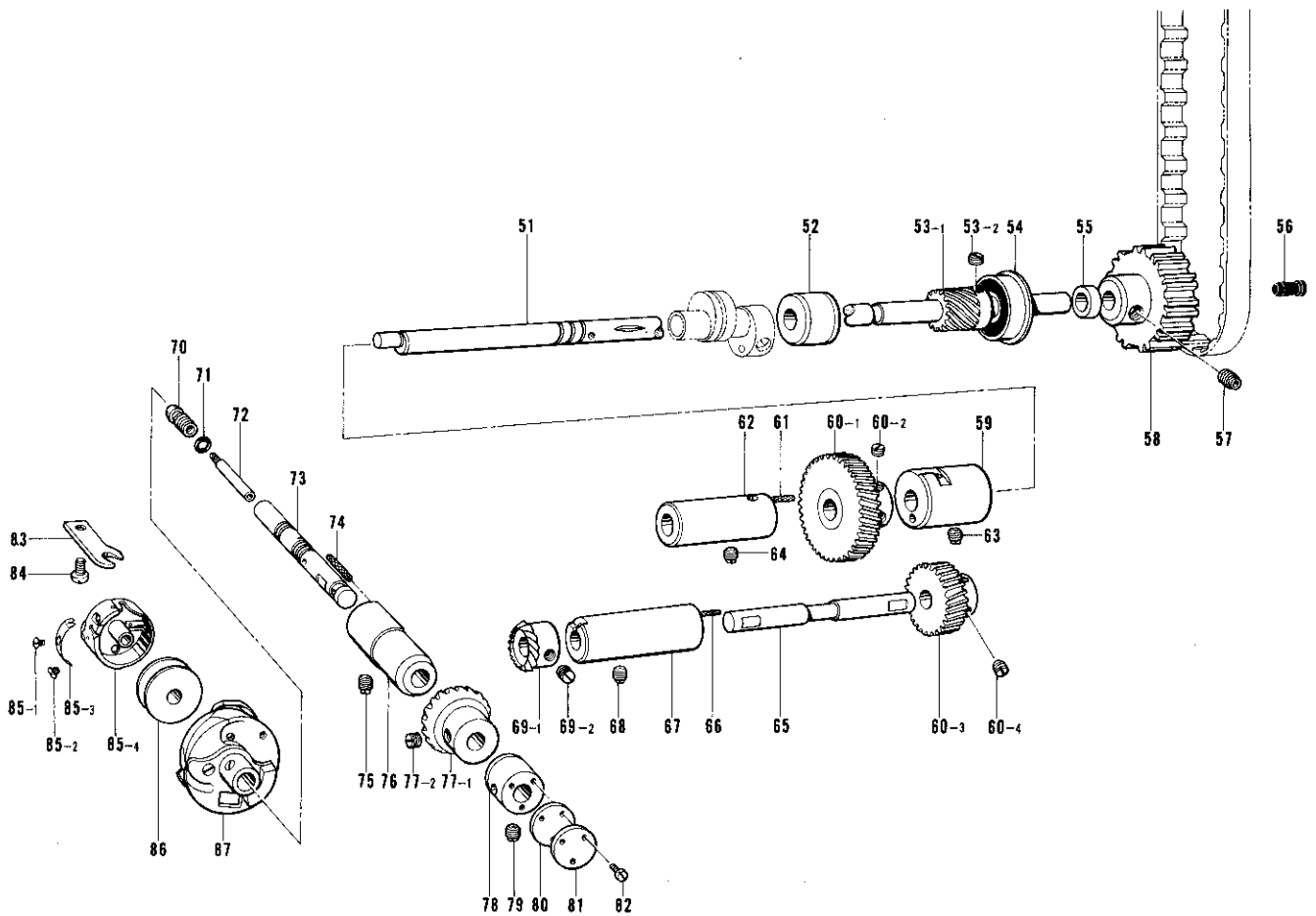
Ref. No.	Name of Parts	Q'ty	Parts No.	Assembly No.	Ref. No.	Name of Parts	Q'ty	Parts No.	Assembly No.
A-51	Arm Cover Packing	1	158030-0-00		A-69-1-1	411097000 Bobbin Snap Spring	1	158109-0-01	A-69-1 411095000 Bobbin Winder Shaft with Snap Spring 158135-0-01
A-52-1	Arm Cover	1	158032-0-00	A-52	A-69-1-2	Bobbin Winder Shaft	1		
A-52-2	Pin	2	158051-0-01	158029-0-01	A-69-2-1	Bobbin Winder Shaft Bushing	1		A-69-2 411094000 Bobbin Winder Shaft Bushing with Bearing 158136-0-01
A-52-3	508558000 Spring Hook	1	158141-0-01		A-69-2-2	411179000 Bearing	1	158111-0-01	
A-53	Screw 5.95 x 12	8	009761-2-12		A-69-3-1	Bobbin Winder Shaft Friction Wheel	1		A-69-3 411098000 Friction Wheel with Screw 158137-0-01
A-54	Thread Retainer	1	140527-0-01		A-69-3-2	050429833 Screw	2	158113-0-01	
A-55	Nut 5.95	1	150553-0-03		A-69-4	547412000 Stop Ring	1	158110-0-01	
A-56	Screw 3.57 x 7	1	013670-7-12		A-69-5	411178000 Connecting Lever	1	158133-0-01	A-69
A-57	Oil Cap	1	104449-0-01		A-69-6	508554000 Pin	1	158131-0-01	411093000 Bobbin Winder Shaft Bushing Assembly 158108-0-01
A-58	508563000 Stud	1	158140-0-01		A-69-7	508553000 Spring Hook	1	158132-0-01	
A-59	508565000 Tension Stud Disc	1	158139-0-01		A-69-8	547412000 Stop Ring	1	158110-0-01	
A-60	508564457 Tension Stud Spring	1	158138-0-01		A-70	Oil Cap	1	108520-0-01	
A-61	508562000 Thread Guide Stud	1	158142-0-01		A-71	508555000 Stop Ring	1	158351-0-01	
A-62	544211051 Screw	1	158352-0-01		A-72	508557457 Spring	1	158134-0-01	
A-63	Spring Washer 2-3	1	028030-2-42		A-73	411101000 Stud Assembly	1	158130-0-01	
A-64	500280850 Screw	1	158126-0-01						
A-65	411107000 Lever (Long)	1	158128-0-01						
A-66	411108000 Lever (Short)	1	158129-0-01						
A-67	544281000 Screw	2	158500-0-01						
A-68	508556000 Thread Guide	1	158127-0-01						

B. Needle Bar, Thread Take-up and Rotary Hook Mechanism (1)



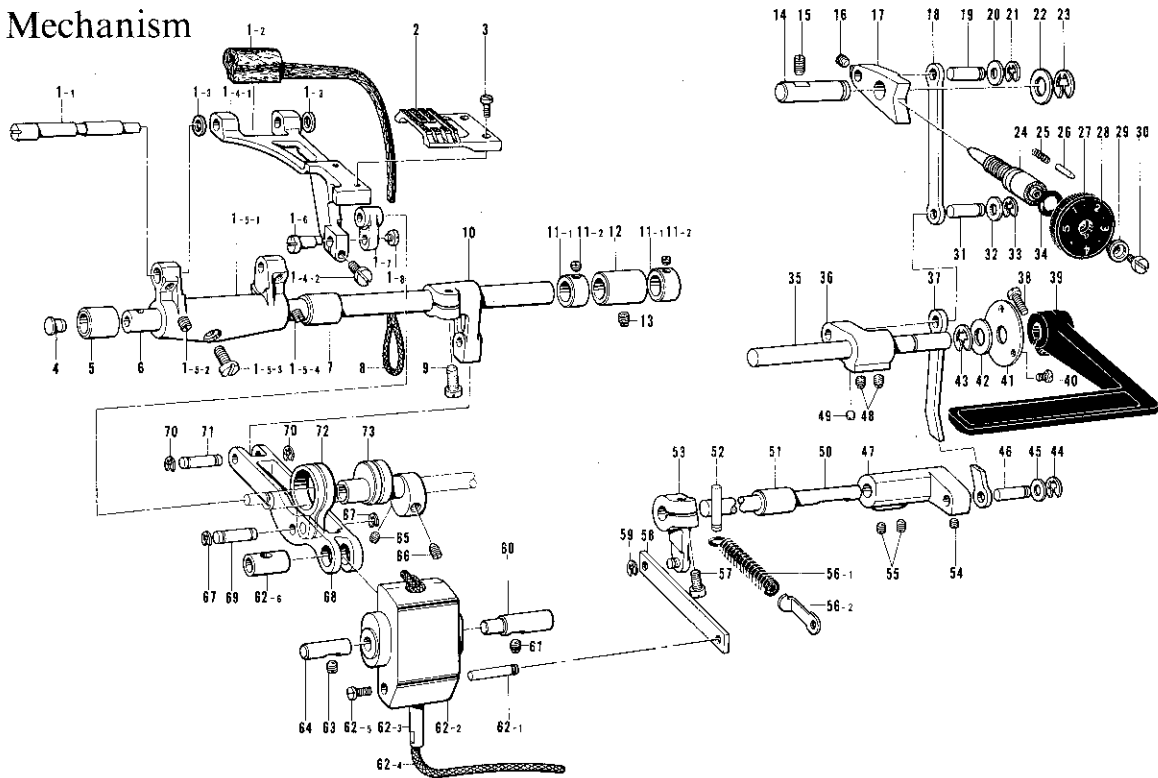
Ref. No.	Name of Parts	Qty	Parts No.	Assembly No.	Ref. No.	Name of Parts	Qty	Parts No.	Assembly No.
B-1	500244000 Screw	2	158168-0-01		B-26	411001000 Needle Bar Connecting Guide	1	158175-0-01	
B-2	509087000 Rotary Take-up	1	158174-0-01		B-27	Screw 4.37	2	105176-0-01	
B-3	502659000 Rotary Take-up Mounting Disc	1	158173-0-01		B-28	411010000 Clamp Plate	1	158177-0-01	
B-4	Needle Bar Crank Stud	1	158052-0-01		B-29	411009000 Guide Block	1	158176-0-01	
B-5-1	508585901 Needle Bar Connecting Link	1		B-5 508585000 Needle Bar Connecting Link Assembly 158372-0-01	B-30	Screw 4.37	2	105176-0-01	
B-5-2	270266000 Needle Bearing	1	158460-0-01		B-31	502672000 Bushing R	1	158151-0-01	
B-6	276114000 Washer	1	158164-0-01		B-32-1	508880000 Needle Bar Support	1	158502-0-01	B-32 508879002 Needle Bar Crank Rod Assembly 158180-0-01
B-7	Counter Weight	1	158053-0-00		B-32-2	502594000 Oil Felt Cord	1	158165-0-01	
B-8	Screw 6.35	1	100251-0-01		B-32-3	502608000 Oil Felt	1	158283-0-01	
B-9	544290000 Screw	1	158158-0-01		B-32-4	502993000 Needle Bar	1	158163-0-01	
B-10	Taper pin 4 x 32	1	152738-0-01		B-33	502674000 Bushing F	1	158152-0-01	
B-11	Bearing 6202 ZZNR	1	158112-0-01		B-34	502603000 Wick	1	158462-0-01	
B-12	Upper Shaft	1	158054-0-01		B-35	502930000 O Ring	1	158464-0-01	
B-13	Upper Shaft Bushing M	1	158048-0-00		B-36	508883000 Pin R	1	158178-0-01	
B-14	Pulley	1	158459-0-01		B-37	Screw 4.76	1	013710-5-12	
B-15	Bearing 6204 ZZNR	1	158115-0-01		B-38	411006900 Clamp	1	158160-0-01	
B-16	214206000 Ring	1	158155-0-01		B-39	545249452 Screw	1	158161-0-01	
B-17	502508000 Connection Belt	1	158153-0-01		B-40	Thread Guide	1	151594-0-01	
B-18	502509000 Connection Belt Wheel U	1	158156-0-01		B-41	Needle SG1965	1	158463-0-11	
B-19	502510000 Oil Rejector	1	158282-0-01		B-42	000223850 Screw	1	158162-0-01	
B-20	411084900 Bobbin Winder Driving Wheel	1	158157-0-01		B-43	Screw 4.76	1	013710-5-12	
B-21	Screw 5.95	2	013761-4-10		B-44	508884000 Pin F	1	158179-0-01	
B-22	500272833 Screw	1	158340-0-01		B-45	502930000 O Ring	1	158464-0-01	
B-23	Screw 3.57 x 7	2	013670-7-12		B-46-1	Slide Plate	1		B-46 508507457 Slide Plate Assembly 158171-0-01
B-24	500274833 Screw	1	158341-0-01		B-46-2	508506000 Slide Plate Spring	1	158170-0-01	
B-25-1	Upper Shaft Gear	1		B-25 Zigzag Driving Gear Assembly 158083-0-01	B-46-3	000238000 Screw	2	158467-0-01	
B-25-2	Screw 6.35	2	105299-0-03		B-47	503682000 Needle Plate 2	1	158172-0-01	
B-25-3	Needle Vibrating Gear	1			B-48	210505000 Bed Plate I	1	158169-0-01	
B-25-4	Screw 6.35	2	123006-0-01		B-49	500244000 Screw	4	158168-0-01	

B. Needle Bar, Thread Take-up and Rotary Hook Mechanism (2)



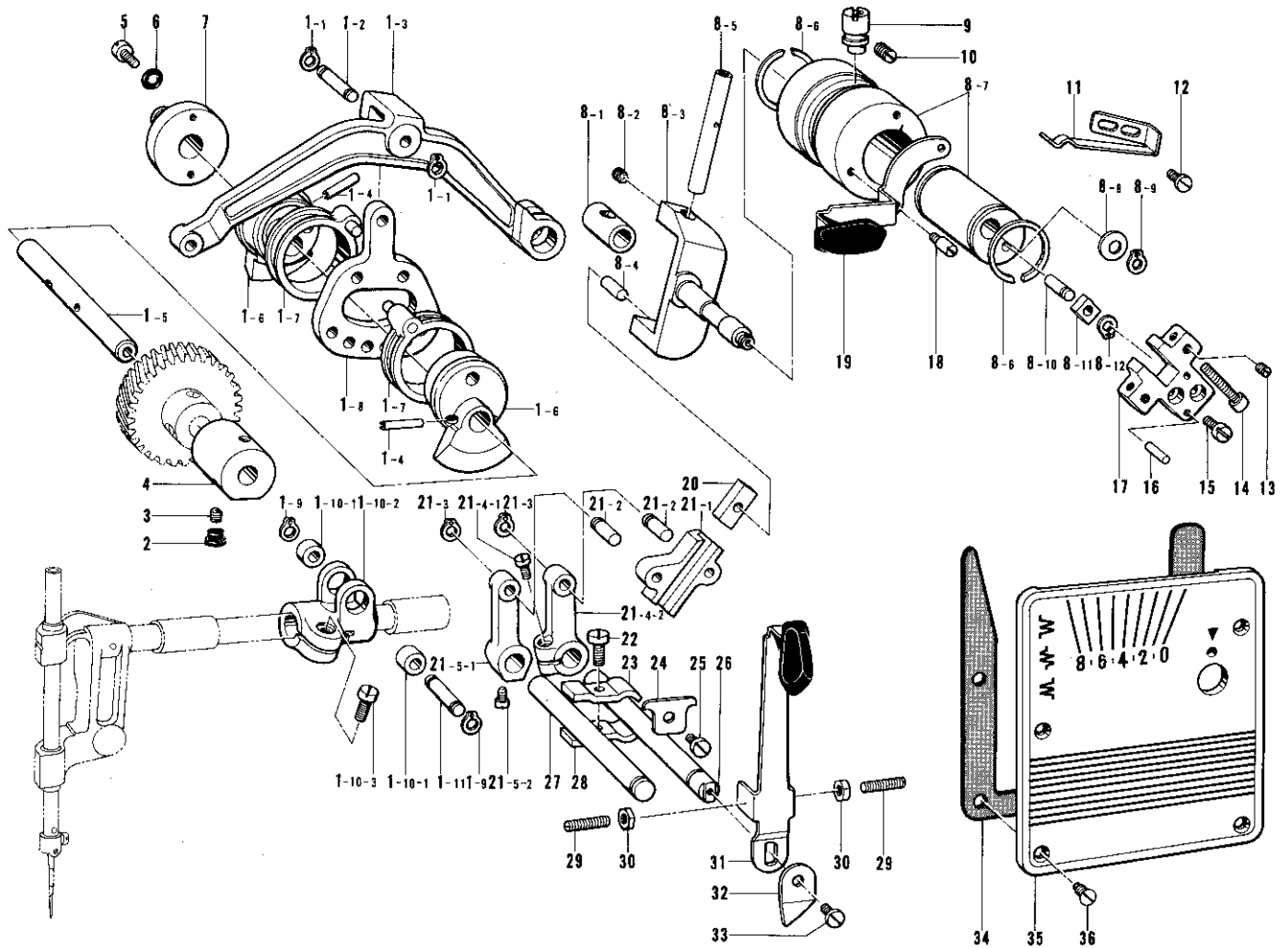
Ref. No.	Name of Parts	Qty	Parts No.	Assembly No.	Ref. No.	Name of Parts	Qty	Parts No.	Assembly No.
B-51	502837000 Lower Shaft	1	158150-0-01		B-70	544320000 Wich Holder	1	158146-0-01	
B-52	Lower Shaft Bushing R	1	158037-0-01		B-71	271808000 O Ring	1	158465-0-01	
B-53-1	Gear	1		B-53 411037000 Gear with Screw 158265-0-01	B-72	502928000 Hook Shaft	1	158343-0-01	
B-53-2	504102000 Screw	2	158344-0-01		B-73	508913901 Rotary Hook Shaft	1	158147-0-01	
B-54	Bearing 6200 ZZNR	1	158119-0-01		B-74	502582000 Wick	1	158280-0-01	
B-55	Connection Belt Wheel Spacer	1	158038-0-01		B-75	Screw 6.35	1	100251-0-01	
B-56	502752000 Oil Cap	1	158281-0-01		B-76	Hook Shaft Bushing R	1	158076-0-01	
B-57	140930869 Screw	2	158468-0-01		B-77-1	021179997 Gear	1		B-77 411039000 Assembly 158480-0-01
B-58	502517000 Connection Belt Wheel D	1	158154-0-01		B-77-2	504101000 Screw	2	158484-0-01	
B-59	Lower Shaft Bushing M	1	158036-0-00		B-78	Hook Shaft Bushing F	1	158035-0-01	
B-60-1	Lower Shaft Gear	1		B-60 Hook Driving Shaft Helical Gear 158085-0-01	B-79	Screw 6.35	1	100251-0-01	
B-60-2	Screw 6.35	2	123006-0-01		B-80	502572000 Packing	1	158279-0-01	
B-60-3	Lower Shaft Pinion Gear	1			B-81	502611000 Cap	1	158278-0-01	
B-60-4	Screw 6.35	2	123006-0-01		B-82	Screw 2.38 x 4	3	009630-4-12	
B-61	502516000 Wick	1	158117-0-01		B-83	502536000 Bobbin Case Position Bracket	1	158149-0-01	
B-62	502515000 Bushing F	1	158143-0-01		B-84	Screw 3.57 x 8	1	001670-8-14	
B-63	Screw 6.35	1	100251-0-01		B-85-1	201016803 Adjusting Screw	1	158536-0-01	
B-64	Screw 6.35	1	100251-0-01		B-85-2	200592803 Screw	1	158534-0-01	
B-65	502565000 Hook Driving Shaft	1	158145-0-01		B-85-3	508530000 Adjusting Spring	1	158535-0-01	
B-66	502516000 Wick	1	158117-0-01		B-85-4	Bobbin Case	1		B-85 502530457 Bobbin Case Assembly 158471-0-01
B-67	502566000 Bushing	1	158144-0-01		B-86	233028457 Bobbin	1	158205-0-01	
B-68	Screw 6.35	1	100251-0-01		B-87	Rotary Hook Assembly	1	158472-0-01	
B-69-1	502569000 Gear	1		B-69 411040000 Gear with Screw 158486-0-01					
B-69-2	504101000 Screw	2	158484-0-01						

C. Feed Mechanism



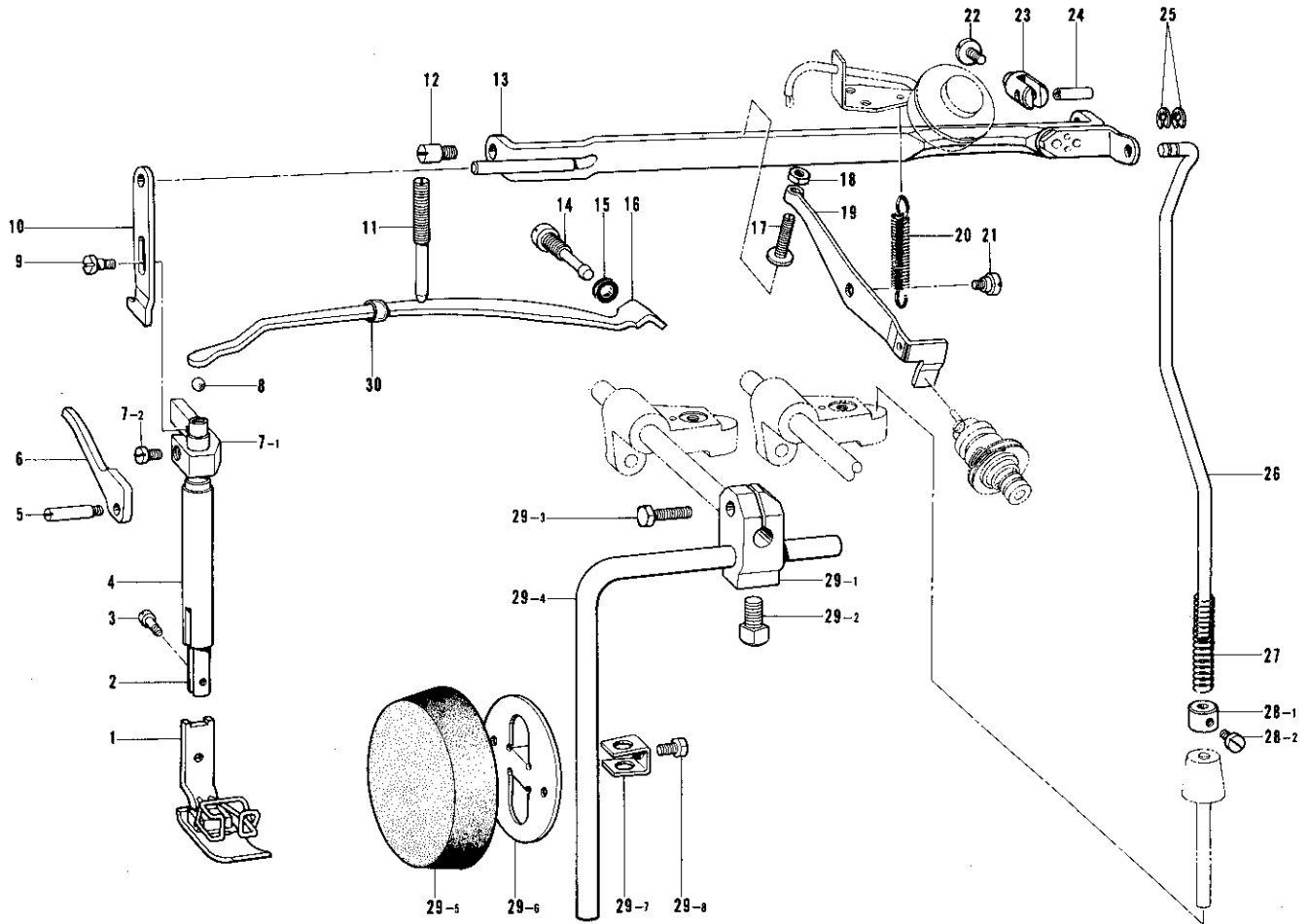
Ref. No.	Name of Parts	Q'ty	Parts No.	Assembly No.	Ref. No.	Name of Parts	Q'ty	Parts No.	Assembly No.
C- 1-1	502541000 Pin	1	158259-0-01	C-1 502675002 Feed Driving Rock Shaft Crank Assembly 158482-0-01	C-33	Stop Ring E5	1	048050-3-42	
C- 1-2	502542000 Felt	1	158483-0-01		C-34	Packing	1	108549-0-01	
C- 1-3	502544000 Washer	2	158260-0-01		C-35	Reverse Lever Shaft	1	158065-0-01	
C- 1-4-1	411031900 Feed Bar	1		C-1-4 411030000 Feed Bar Assembly 158261-0-01	C-36	Feed Regulator Lever U	1	158069-0-00	
C- 1-4-2	544291000 Screw	1	158345-0-01		C-37	Feed Regulator Connecting Rod D	1	158068-0-01	
C- 1-5-1	411029900 Feed Rock Shaft Arm	1		C-1-5 411028000 Feed Rok Shaft Arm Assembly 158258-0-01	C-38	Screw 4.76 x 14	1	009711-4-12	
C- 1-5-2	504048000 Screw	1	158348-0-01		C-39	Reverse Lever	1	145495-0-10	
C- 1-5-3	500257850 Screw	1	158346-0-01		C-40	Screw 3.57	3	100257-0-10	
C- 1-5-4	504134000 Screw	1	158347-0-01		C-41	Washer	1	147504-0-01	
C- 1-6	502546000 Pin	1	158255-0-01		C-42	Washer 10	1	025100-1-32	
C- 1-7	502545000 Link	1	158254-0-01		C-43	Stop Ring E8	1	048080-3-42	
C- 1-8	051388850 Screw	1	158253-0-01		C-44	Stop Ring E5	1	048050-3-42	
C- 2	Feed Dog	1	158034-0-01		C-45	Washer	1	109893-0-02	
C- 3	050624833 Screw	2	158488-0-01		C-46	Feed Regulator Stud	1	158064-0-01	
C- 4	Oil Cap	1	111865-0-01		C-47	Feed Regulator Lever D	1	158044-0-00	
C- 5	502826000 Bushing L	1	158349-0-00		C-48	Screw 6.35	2	100251-0-01	
C- 6	Feed Rock Shaft	1	158043-0-01		C-49	Screw 4.37	1	013680-5-12	
C- 7	502826000 Bushing M	1	158237-0-00		C-50	Feed Regulator Stud	1	158062-0-01	
C- 8	Wick 6 x 6	1	158081-0-00		C-51	502868000 Bushing	1	158236-0-01	
C- 9	Screw 6.35 x 14	1	009711-4-12		C-52	502867000 Spring Hook	1	158252-0-01	
C-10	502848000 Feed Rock Shaft Arm	1	158242-0-01		C-53	411064900 Rock Shaft Arm	1	158238-0-01	
C-11-1	Collar	2		C-11 411118000 Collar with Screw 158256-0-01	C-54	Screw 4.37	1	013680-5-12	
C-11-2	544053000 Screw	4	158257-0-01		C-55	Screw 4.76	2	013710-7-12	
C-12	Feed Driving Rock Shaft Bushing R	1	158042-0-01		C-56-1	502866000 Spring	1	158248-0-01	C-56 502932457 Spring Assembly 158277-0-01
C-13	Screw 6.35	1	100251-0-01		C-56-2	502931000 Spring Hook	1	158249-0-01	
C-14	Feed Regulator Shaft	1	158063-0-01		C-57	544286000 Screw	1	158302-0-01	
C-15	Screw 4.76 x 10	1	013711-0-10		C-58	502862000 Connecting Rod	1	158239-0-01	
C-16	Screw 4.37	1	013680-5-12		C-59	Stop Ring E4	1	048040-3-42	
C-17	Feed Regulator	1	158077-0-01		C-60	502860000 Pin R	1	158251-0-01	
C-18	Feed Regulator Connecting Rod U	1	158067-0-01		C-61	Screw 6.35	1	123006-0-01	
C-19	Feed Regulator Stud	1	158064-0-01		C-62-1	502949000 Stud	1	158246-0-01	
C-20	Washer 6.35	1	025770-2-32		C-62-2	411060000 Feed Regulator Frame	1	158245-0-01	
C-21	Stop Ring E5	1	048050-3-42		C-62-3	502857000 Stud	1	158244-0-01	C-62 411059000 FDC Assembly 158477-0-01
C-22	Washer 10	1	025100-1-32		C-62-4	502858000 Wick	1	158478-0-01	
C-23	Stop Ring E7	1	048070-3-42		C-62-5	051369850 Screw	1	158216-0-01	
C-24	Length Control Screw	1	109151-1-01		C-62-6	502850931 Slider	1	158337-0-01	
C-25	Notch Spring	1	100328-0-01		C-63	Screw 6.35	1	100251-0-01	
C-26	Pin	1	145502-0-01		C-64	502859000 Pin L	1	158250-0-01	
C-27	Length Control Dial	1	153168-0-01		C-65	Screw 4.76	1	107794-0-01	
C-28	Feed Regulator Plate	1	151507-0-01		C-66	500308833 Screw	1	158235-0-01	
C-29	Length Control Supporter	1	142746-0-02		C-67	Stop Ring E4	2	048040-3-42	
C-30	Screw 4.76	1	142747-0-02		C-68	502843000 Feed Driving Lever	1	158241-0-01	
C-31	Feed Regulator Stud	1	158064-0-01		C-69	502845000 Pin	1	158240-0-01	
C-32	Washer 6.35	1	025770-2-32		C-70	Stop Ring E4	2	048040-3-42	
					C-71	502845000 Pin	1	158240-0-01	
					C-72	502844000 Link	1	158234-0-01	
					C-73	502840000 Feed Driving Eccentric	1	158233-0-01	

D. Zigzag Mechanism



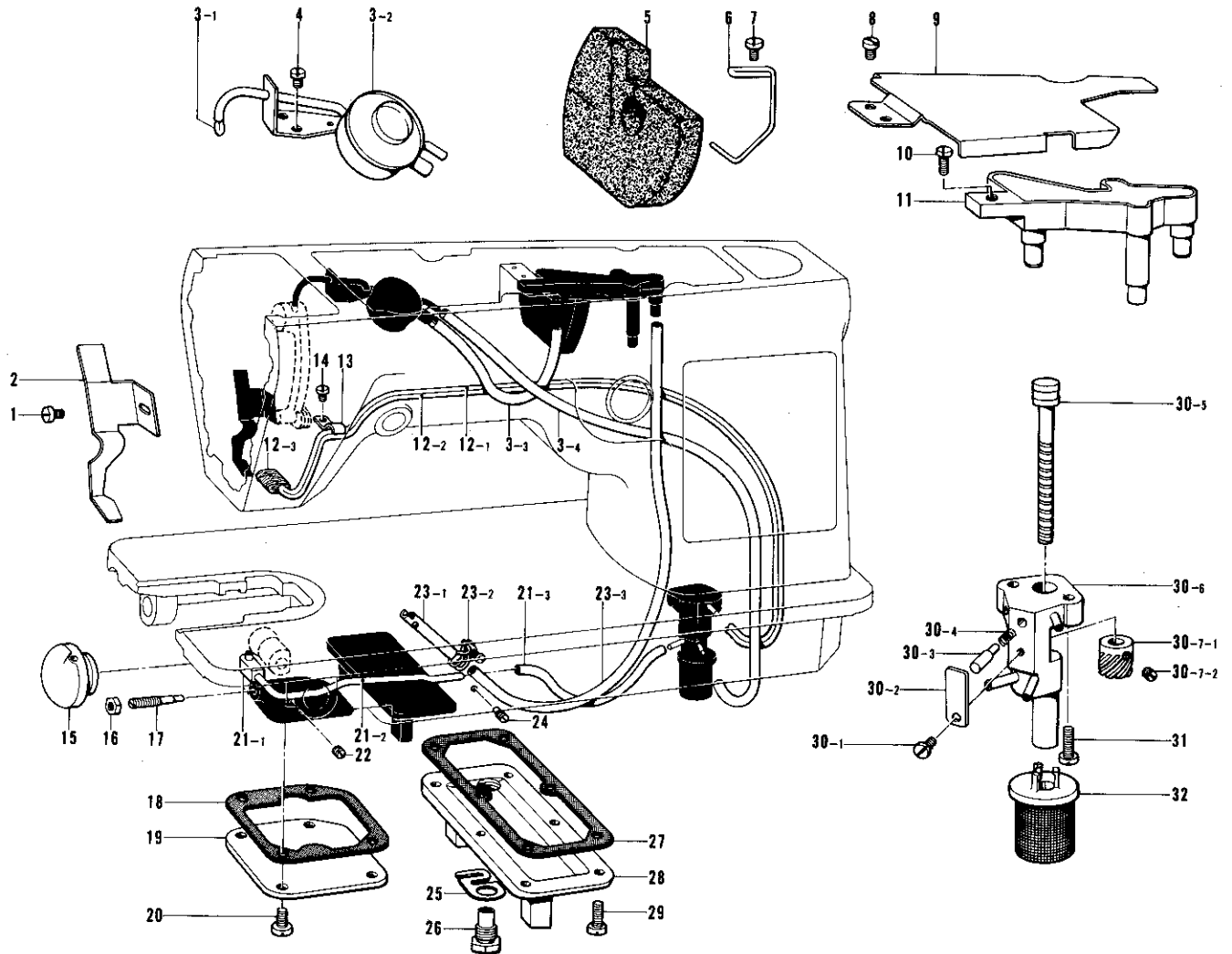
Ref. No.	Name of Parts	Q'ty	Parts No.	Assembly No.	Ref. No.	Name of Parts	Q'ty	Parts No.	Assembly No.
D-1-1	502793000 Stop Ring	2	158492-0-01	D-1 411073000 NBY Assembly 158498-0-01	D-12	Screw 4.37 x 10	2	009681-0-12	
D-1-2	502801000 Link Stud	1	158314-0-01		D-13	500067833 Screw	2	158497-0-01	
D-1-3	502768000 Connecting Link	1	158316-0-01		D-14	544308000 Stopper	2	158496-0-01	
D-1-4	543822007 Pin L	2			D-15	544286000 Screw	2	158302-0-01	
D-1-5	502787000 Cam Shaft	1			D-16	548226000 Pin	2	158303-0-01	
D-1-6	502807901 Cam	2			D-17	411052900 Bracket	1	158301-0-01	
D-1-7	502774900 Ring	2			D-18	500302850 Stopper	2	158305-0-01	
D-1-8	502753934 Cam Guide	1			D-19	509007000 Lever	1	158304-0-01	
D-1-9	502802000 Stop Ring	2	158495-0-01		D-20	502782000 Slide Block	1	158335-0-01	
D-1-10-1	502757000 Bushing	2	158313-0-01		D-21-1	502775000 Bracket	1	158328-0-01	D-21 411041000 Assembly 158333-0-01
D-1-10-2	411076900 Rock Shaft Arm	1			D-21-2	502776000 Pin	2	158329-0-01	
D-1-10-3	544286000 Screw	1	158302-0-01	D-21-3	502793000 Stop Ring	2	158492-0-01	D-21-4 411044000 Crank with Screw 158332-0-01	
D-1-11	502785000 Stud	1	158315-0-01	D-21-4-1	051369850 Screw	1	158216-0-01		
D-2	Oil Cap	1	104450-0-01	D-21-4-2	Needle Vibrating Adjusting Crank	1			
D-3	Screw 6.35 x 6	1	014770-6-22	D-21-5-1	411043900 Needle Vibrating Adjusting Guide Crank	1	158330-0-01		
D-4	502825000 Cam Shaft Bushing F	1	158322-0-01	D-21-5-2	545263000 Screw	1	158331-0-01		
D-5	544286000 Screw	2	158302-0-01	D-22	545361452 Screw	1	158350-0-01		
D-6	Packing	2	118770-0-01	D-23	502922000 Shaft Clamping Bracket U	1	158323-0-01		
D-7	411053000 Cam Shaft Bushing R	1	158321-0-01	D-24	502788000 Retainer	1	158325-0-01		
D-8-1	502850931 Slider	1	158337-0-01	D-25	Screw 4.76 x 7	1	009710-7-12		
D-8-2	504048000 Screw	2	158348-0-01	D-26	411047000 Crank Shaft	1	158327-0-01		
D-8-3	411069000 Carrier Frame	1	158339-0-01	D-27	502783000 Crank Shaft	1	158326-0-01		
D-8-4	502789000 Pin	1	158338-0-01	D-28	411078000 Shaft Clamping Bracket D	1	158324-0-01		
D-8-5	502857000 Shaft	1	158224-0-01	D-29	544302000 Screw	2	158308-0-01		
D-8-6	502762000 Stop Ring	2	158493-0-01	D-30	Nut 4.76	2	021710-1-02		
D-8-7	411072900 Bushing L	1	158309-0-01	D-31	502803000 Lever	1	158307-0-01		
D-8-8	502800000 Washer	1	158494-0-01	D-32	502835000 Oil Guide	1	158285-0-01		
D-8-9	502802000 Stop Ring	1	158495-0-01	D-33	Screw 4.76 x 7	1	009710-7-12		
D-8-10	502776000 Pin	1	158329-0-01	D-34	Packing	1	158070-0-00		
D-8-11	502781000 Slide Block	1	158334-0-01	D-35	Panel	1	158071-0-01		
D-8-12	502793000 Stop Ring	1	158492-0-01	D-36	Screw 4.37	4	100032-0-04		
D-9	411046000 Stud	1	158310-0-01						
D-10	Screw 4.76	1	013711-0-12						
D-11	502794000 Position Spring	1	158306-0-01						

E. Presser Foot and Knee Lifter Mechanism



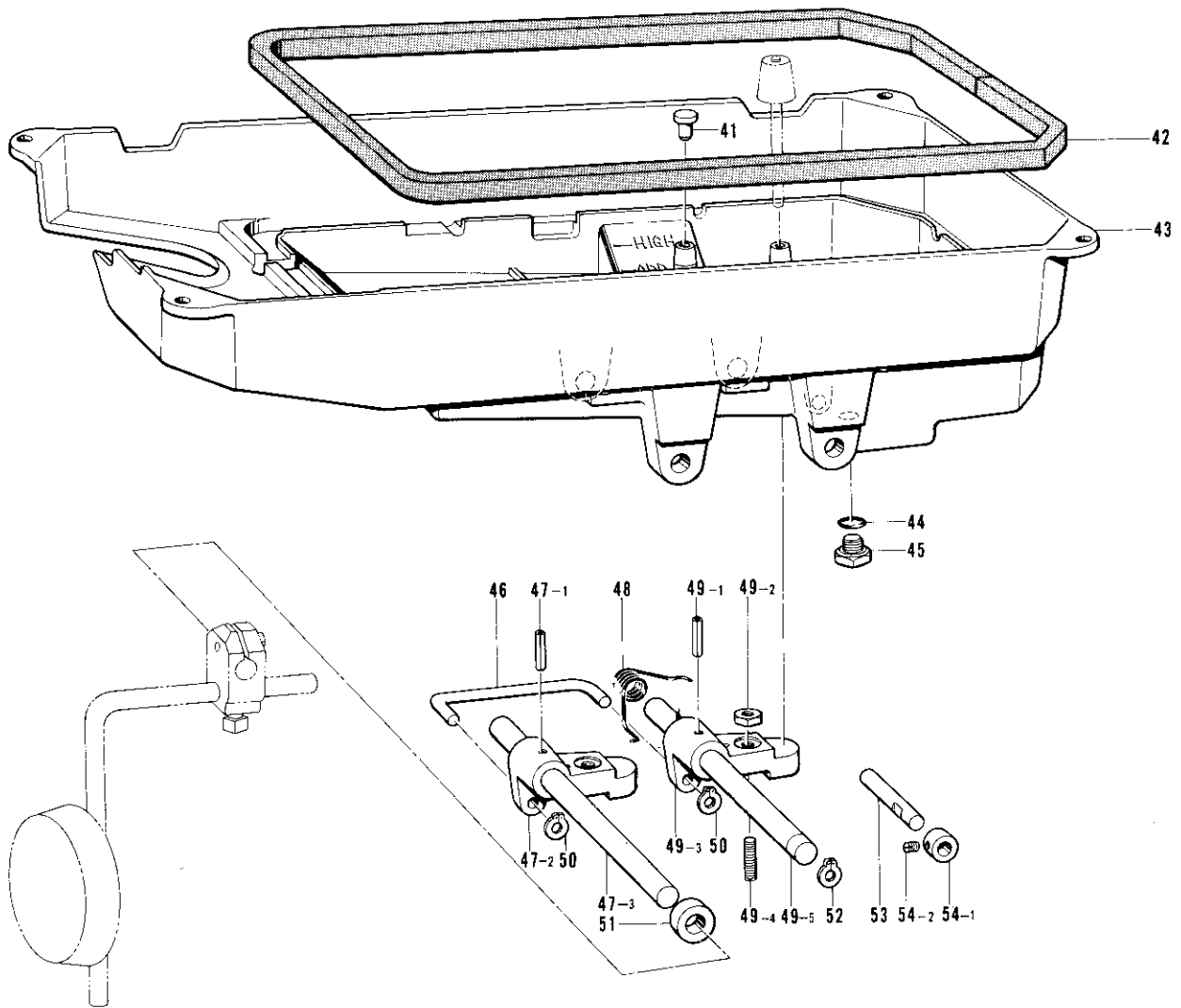
Ref. No.	Name of Parts	Q'ty	Parts No.	Assembly No.	Ref. No.	Name of Parts	Q'ty	Parts No.	Assembly No.
E-1	503818000 Presser Foot	1	158220-0-01		E-20	502662457 Spring	1	158229-0-01	
E-2	502948902 Presser Bar	1	158217-0-01		E-21	544296000 Screw	1	158230-0-01	
E-3	500256000 Screw	1	158218-0-01		E-22	545347452 Screw	1	158224-0-01	
E-4	508652000 Bushing	1	158353-0-01		E-23	411055000 Hinge Stud	1	158075-0-00	
E-5	001349850 Stud	1	158209-0-01		E-24	502679000 Pin	1	158475-0-01	
E-6	276027000 Presser Bar Lifter Lever	1	158208-0-01		E-25	Stop Ring E4	2	048040-3-42	
E-7-1	4110369000 Bracket	1		E-7 411035000 Bracket Assembly 158506-0-01	E-26	411181900 Knee Lifter Lift	1	158226-0-01	
E-7-2	051369850 Screw	1	158216-0-01		E-27	502586457 Spring	1	158222-0-01	
E-8	276025000 Presser Bar Ball	1	158219-0-01		E-28-1	Collar	1		E-28 411120000 Collar with Screw 158221-0-01
E-19	000086850 Screw	1	158211-0-01		E-28-2	545205452 Screw	1	158223-0-01	
E-10	502584000 Knee Lifter Lifting Link	1	158210-0-01		E-29-1	Knee Lifter Joint	1	146039-0-01	E-29 Knee Lifter Assembly 181427-0-01
E-11	500260833 Screw	1	158212-0-01		E-29-2	Bolt 7.94	1	100463-0-01	
E-12	544292000 Screw	1	158225-0-01		E-29-3	Bolt 5.95 x 20	1	017762-0-13	
E-13	502786000 Knee Lifter Lever	1	158227-0-01		E-29-4	Knee Lifter Bar	1	104619-0-02	
E-14	500261850 Screw	1	158213-0-01		E-29-5	Knee Lifter Cover	1	140503-0-01	
E-15	543833004 Packing	1	158474-0-01		E-29-6	Knee Lifter Plate	1	114966-0-01	
E-16	502653000 Presser Plate Spring	1	158214-0-01		E-29-7	Knee Lifter Plate Stopper	1	114967-0-01	
E-17	544295000 Screw	1	158231-0-01		E-29-8	Bolt 5.95	1	110087-0-01	
E-18	Nut 4.76	1	021710-1-02		E-30	Tube	1	156253-0-00	
E-19	411024000 Tension Release Lever	1	158232-0-01						

F. Lubrication (1)



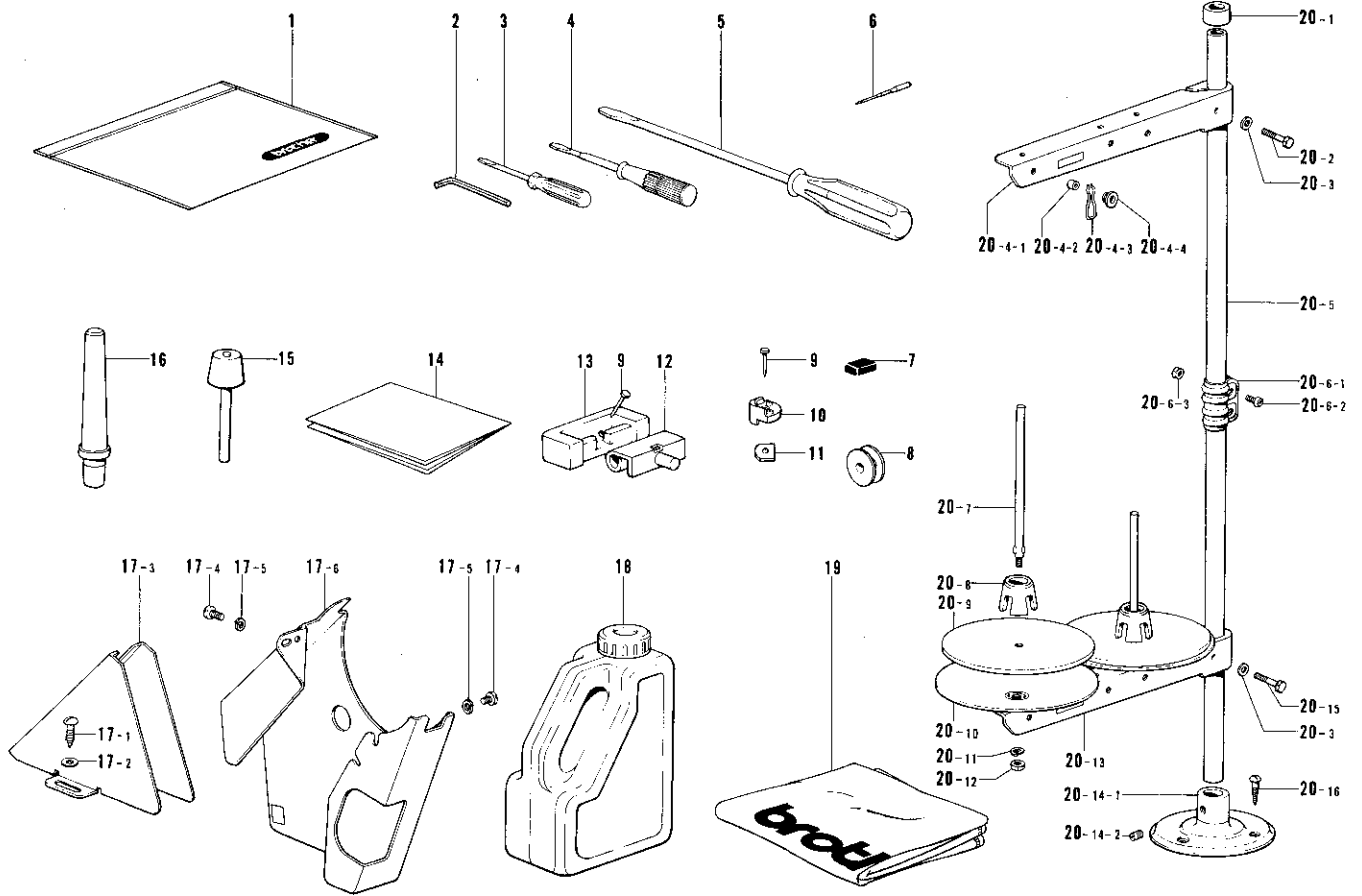
Ref. No.	Name of Parts	Q'ty	Parts No.	Assembly No.	Ref. No.	Name of Parts	Q'ty	Parts No.	Assembly No.
F- 1	Screw 3.57 x 5	1	009670-5-12		F-21-1	Oil Pipe Connector	1	158274-0-01	F-21
F- 2	502919000 Oil Drain Clamp	1	158293-0-01		F-21-2	Oil Pipe	1	158290-0-01	502575940 Oil Pipe Assembly
F- 3-1	502651000 Wick	1	158125-0-01	F-3	F-21-3	508960000 Tube	1	158290-0-01	158286-0-01
F- 3-2	Oil Gauge	1		502650945 Oil Gauge	F-22	Screw 4.37	1	013680-5-12	
F- 3-3	502647002 Tube S	1	158291-0-01	158284-0-01	F-23-1	502917000 Oil Pipe	1	158287-0-01	F-23
F- 3-4	502635002 Tube L	1	158292-0-01		F-23-2	411013000 Tube Clamp	1	158457-0-01	411012000 Tube Assembly
F- 4	Screw 3.57 x 5	2	009670-5-12		F-23-3	502648002 Tube	1	158289-0-01	158456-0-01
F- 5	Arm Oil Shield	1	158050-0-01		F-24	000998833 Screw	1	158288-0-01	
F- 6	Arm Oil Shield Presser Spring	1	158049-0-01		F-25	502543000 Felt Clamp	1	158297-0-01	
F- 7	Screw 3.57	2	112751-0-03		F-26	500245850 Bolt	1	158298-0-01	
F- 8	Screw 4.76 x 6	2	009710-6-12		F-27	502521000 Packing	1	158299-0-01	
F- 9	502764000 Oil Guard	1	158294-0-01		F-28	502881000 Gear Box Cover	1	158066-0-00	
F-10	Screw 3.57 x 10	1	009671-0-12		F-29	Screw 4.37 x 12	6	009681-2-12	
F-11	508943000 Tank Assembly	1	158122-0-01		F-30-1	504010451 Screw	1	158266-0-01	
F-12-1	411217000 Tube Wire	1	158453-0-01	F-12	F-30-2	411211000 Spring Bracket	1	158267-0-01	F-30
F-12-2	411213000 Tube	1	158454-0-01	411212000 Tube Assembly	F-30-3	540556000 Piston	1	158269-0-01	411207000 Oil Pump Assembly
F-12-3	016380000 Felt	1	158452-0-01	158451-0-01	F-30-4	540625000 Spring	1	158268-0-01	158120-0-01
F-13	Tube Holder	1	140647-0-01		F-30-5	411210000 Screw	1	158270-0-01	
F-14	Screw 3.57 x 5	1	009670-5-12		F-30-6	411208000 Pump	1	158271-0-01	
F-15	502818000 Oil Cap	1	158276-0-01		F-30-7-1	411148900 Gear	1		F-30-7
F-16	Nut 4.37	1	102571-0-03		F-30-7-2	504007000 Screw	2	158121-0-01	411147000 Gear Assembly
F-17	500247833 Screw	1	158275-0-01		F-31	Screw 4.37 x 16	2	009681-6-12	158505-0-01
F-18	502574000 Packing	1	158273-0-01		F-32	411110000 Filter	1	158263-0-01	
F-19	502573000 Gear Box Cover	1	158272-0-01						
F-20	Screw 4.37 x 8	4	009680-8-12						

F. Lubrication (2)



Ref. No.	Name of Parts	Q'ty	Parts No.	Assembly No.	Ref. No.	Name of Parts	Q'ty	Parts No.	Assembly No.
F-41	502987000 Oil Cap	1	158374-0-01		F-49-1	508302000 Pin	1	158363-0-01	
F-42	508503000 Packing	1	158354-0-01		F-49-2	500785850 Nut	1	158360-0-01	F-49
F-43	508871901 Oil Pan	1	158355-0-01		F-49-3	502998000 Control Shaft Crank	1	158361-0-01	502996000
F-44	502799000 Packing	1	158356-0-01		F-49-4	500271833 Screw	1	158364-0-01	Control Shaft
F-45	500329850 Bolt	1	158357-0-01		F-49-5	502997000 Control Shaft	1	158362-0-01	Assembly
F-46	508501000 Rock Shaft Connection	1	158366-0-01		F-50	508502000 Stop Ring	2	158367-0-01	158359-0-01
F-47-1	508302000 Pin	1	158363-0-01	F-47	F-51	502994000 Spacer	1	158369-0-01	
F-47-2	502998000 Rock Shaft Crank	1	158361-0-01	502999000 Rock	F-52	503000000 Stop Ring	1	158368-0-01	
F-47-3	502589000 Rock Shaft	1	158371-0-01	Shaft Assembly	F-53	502937000 Pin	1	158358-0-01	
F-48	087018457 Spring	1	158365-0-01	158370-0-01	F-54-1	Collar	1		F-54
					F-54-2	050150833 Screw	1	158103-0-01	411114000
									Collar Assembly
									158102-0-01

Z. Accessories



Ref. No.	Name of Parts	Qty	Parts No.	Assembly No.	Ref. No.	Name of Parts	Qty	Parts No.	Assembly No.
Z- 1	Vinyl Bag	1	122991-0-01		Z-20- 1	Cap	1		
Z- 2	Spanner	1	142002-0-01		Z-20- 2	Bolt 5 x 28	1	017502-8-03	
Z- 3	Screw Driver 1.9 x 52	1	142443-0-01		Z-20- 3	Washer 5	2	025050-2-33	
Z- 4	Screw Driver 3.4 x 70	1	118837-0-01		Z-20- 4-1	Spool Holder 2	1	150178-0-01	Z-20-4 Thread Hanger Assembly 150192-0-01
Z- 5	Screw Driver 5.5 x 190	1	101572-1-01		Z-20- 4-2	Thread Bushing	2	142990-0-01	
Z- 6	Needle SG1965	4	158463-0-11		Z-20- 4-3	Thread Guide Spring	2	150184-0-01	
Z- 7	Magnet	2	112525-0-00		Z-20- 4-4	Thread Hanger	2		
Z- 8	233028457 Bobbin	2	158205-0-01		Z-20- 5	Pipe	2	150172-0-01	
Z- 9	Nail	8	109714-0-00		Z-20- 6-1	Joint	1		Z-20-6 Joint for Cotton Stand 150106-0-01
Z-10	Head Cushion	4	158082-0-01		Z-20- 6-2	Screw 5 x 14	2	150202-0-01	
Z-11	Oil Pan Cushion	4	146004-0-01		Z-20- 6-3	Nut 5	2	021500-1-03	
Z-12	Hinge	2	143882-0-01		Z-20- 7	Spool Shaft B	2	150179-0-01	Z-20 Cotton Stand Assembly 150150-0-03
Z-13	Rubbre Hinge	2	143910-0-01		Z-20- 8	Spool Cushion	2	126863-0-00	
Z-14	Table Sheet	1	144615-0-01		Z-20- 9	Spool Mat	2	150182-0-00	
Z-15	502587002 Complying Bar	1	158104-0-01		Z-20-10	Spool Stand Base	2	150180-0-00	
Z-16	Head Rest	1	100477-0-01		Z-20-11	Spring Washer 2-5	2	025050-2-43	
Z-17- 1	Screw 5.5 x 20	2	100666-0-02		Z-20-12	Nut 5	2	021500-1-03	
Z-17- 2	Washer 5.56	2	025750-1-32	Z-17 Belt Cover Assembly 158033-0-01	Z-20-13	Spool Holder Assembly 2	1	150177-0-01	Z-20-14 Cotton Stand Base Assembly 150139-0-01
Z-17- 3	Belt Cover D	1			Z-20-14-1	Cotton Stand Base	1	150189-0-01	
Z-17- 4	Screw 4.37 x 8	2	009680-8-12		Z-20-14-2	Screw 6 x 10	2	150181-0-01	
Z-17- 5	Spring Washer 2-4.37	2	028680-2-42		Z-20-15	Bolt 5 x 28	1	017502-8-03	
Z-17- 6	Belt Cover UD	1		Z-20-16	Screw 4.5 x 22	3	031452-2-03		
Z-18	Oil Tank	1	154702-0-01						
Z-19	Head Cover	1	144222-0-01						

※ The details of included accessories are subject to change.
 ※ Änderungen in der Aufstellung der mitgelieferten Zubehöre sind vorbehalten.

※ Les détails des accessoires inclus sont sujets à des changements.
 ※ Los detalles de los accesorios incluidos pueden variar.

I N D E X

Parts No.	Ref. No.	Remark	Parts No.	Ref. No.	Remark	Parts No.	Ref. No.	Remark	Parts No.	Ref. No.	Remark
001670-8-14	B-84		100251-0-01	B-79		150182-0-00	Z-20- 9		158112-0-01	B-11	
003670-6-12	A- 9			C-13		150183-0-00	Z-20- 4- 4		158113-0-01	A-69- 3- 2	
	A-13			C-48		150184-0-01	Z-20- 4- 3		158114-0-01	A-40	
009630-4-12	B-82			C-63		150189-0-01	Z-20-14- 1		158115-0-01	B-15	
009670-5-12	F- 1		100257-0-10	C-40		150192-0-01	Z-20- 4		158117-0-01	B-61	
	F- 4		100328-0-01	C-25		150202-0-01	Z-20- 6- 2			B-66	
	F-14		100463-0-01	D-29- 2		150553-0-03	A-55		158119-0-01	B-54	
009671-0-12	F-10		100477-0-01	Z-16		151418-0-01	A-35		158120-0-01	F-30	
009679-3-12	A-12		101572-1-01	Z- 5		151507-0-01	C-28		158121-0-01	F-30- 7- 2	
009680-8-12	A- 6		102538-0-02	A-45		151594-0-01	B-40		158122-0-01	F-11	
	F-20		102571-0-03	F-16		152738-0-01	B-10		158124-0-01	D-21- 5	
	Z-17- 4		103950-0-03	A-41		153168-0-01	C-27		158125-0-01	F- 3- 1	
009681-0-12	D-12		104449-0-01	A-57		154578-0-00	A-49		158126-0-01	A-64	
009681-2-12	F-29		104450-0-01	A-47		154702-0-01	Z-18		158127-0-01	A-68	
009681-6-12	F-31			D- 2		156352-0-01	A-33		158128-0-01	A-65	
009710-6-12	F- 8		104619-0-02	E-29- 4		158929-0-01	A-52		158129-0-01	A-66	
009710-7-12	D-25		104821-0-01	A-37		158030-0-00	A-51		158130-0-01	A-73	
	D-33		105176-0-01	B-27		158032-0-00	A-52- 1		158131-0-01	A-69- 6	
009711-4-12	C-38			B-30		158033-0-01	Z-17		158132-0-01	A-69- 7	
009761-2-12	A-53		105299-0-03	B-25- 2		158034-0-01	C- 2		158133-0-01	A-69- 5	
009781-4-12	C- 9		106629-0-02	A-27		158035-0-00	B-78		158134-0-01	A-72	
013670-7-12	A-21		107794-0-01	C-65		158036-0-00	B-59		158135-0-01	A-69- 1	
	A-56		108520-0-01	A-25		158037-0-01	B-52		158136-0-01	A-69- 2	
	B-23			A-29		158038-0-01	B-55		158137-0-01	A-69- 3	
013679-4-12	A-36			A-70		158042-0-01	C-12		158138-0-01	A-60	
	A-42		108549-0-01	C-34		158043-0-01	C- 6		158139-0-01	A-59	
013680-5-12	C-16		108960-0-02	A- 7		158044-0-00	C-47		158140-0-01	A-58	
	C-49		109151-1-01	C-24		158045-0-01	A- 5		158141-0-01	A-52- 3	
	C-54		109714-0-00	Z- 9		158046-0-01	A-16		158142-0-01	A-61	
	F-22		109893-0-02	C-45		158047-0-01	A- 4		158143-0-01	B-62	
013710-5-12	B-37		110087-0-01	E-29- 8		158048-0-00	B-13		158144-0-01	B-67	
	B-43		111865-0-01	C- 4		158049-0-01	F- 6		158145-0-01	B-65	
	C-55		112525-0-00	Z- 7		158050-0-01	F- 5		158146-0-01	B-70	
013711-0-10	C-15		112751-0-03	F- 7		158051-0-01	A-52- 2		158147-0-01	B-73	
013711-0-12	D-10		114966-0-01	E-29- 6		158052-0-01	B- 4		158149-0-01	B-83	
013761-4-10	B-21		114967-0-01	E-29- 7		158053-0-00	B- 7		158150-0-01	B-51	
014770-6-22	D- 3		118770-0-01	D- 6		158054-0-01	B-12		158151-0-01	B-31	
017502-8-03	Z-20- 2		118837-0-01	Z- 4		158057-0-00	A-18		158152-0-01	B-33	
	Z-20-15		122991-0-01	Z- 1		158058-0-01	A-17		158153-0-01	B-17	
017762-0-13	D-29- 3		123006-0-01	B-25- 4		158061-0-01	A-32		158154-0-01	B-58	
021500-1-03	Z-20- 6- 3			B-60- 2		158062-0-01	C-50		158155-0-01	B-16	
	Z-20-12			B-60- 4		158063-0-01	C-14		158156-0-01	B-18	
				C-61		158064-0-01	C-19		158157-0-01	B-20	
021670-2-02	A-20		126863-0-00	Z-20- 8			C-31		158158-0-01	B- 9	
021710-1-02	E-18		140503-0-01	E-29- 5			C-46		158160-0-01	B-38	
	D-30										
025050-2-33	Z-30- 3		140527-0-01	A-54		158065-0-01	C-35		158161-0-01	B-39	
025050-2-43	Z-20-11		140647-0-01	F-13		158066-0-00	F-28		158162-0-01	B-42	
025100-1-32	C-22		141544-0-01	A-10		158067-0-01	C-18		158163-0-01	B-32- 4	
	C-42		142002-0-01	Z- 2		158068-0-01	C-37		158164-0-01	B- 6	
025750-1-32	Z-17- 2		142443-0-01	Z- 3		158069-0-00	C-36		158165-0-01	B-32- 2	
025770-2-32	A- 3		142746-0-02	C-29		158070-0-00	D-34		158168-0-01	B- 1	
	C-20		142747-0-02	C-30		158071-0-01	D-35			B-49	
	C-32		142990-0-01	Z-20- 4- 2		158072-0-00	A-28		158169-0-01	B-48	
028030-2-42	A-63		143882-0-01	Z-12		158073-0-01	A-26		158170-0-01	B-46- 2	
028680-2-42	Z-17- 5		143910-0-01	Z-13		158075-0-00	E-23		158171-0-01	B-46	
028770-2-42	A- 2		144222-0-01	Z-19		158076-0-01	B-76		158172-0-01	B-47	
031452-2-03	Z-20-16		144615-0-01	Z-14		158077-0-01	C-17		158173-0-01	B- 3	
048040-3-42	C-59		145495-0-01	C-39		158079-0-01	Z-17- 6		158174-0-01	B- 2	
	C-67		145502-0-01	C-26		158081-0-00	C- 8		158175-0-01	B-26	
	C-70		146004-0-01	Z-11		158082-0-01	Z-10		158176-0-01	B-29	
	D-25		146039-0-01	E-29- 1		158083-0-01	B-25		158177-0-01	B-28	
048050-3-42	C-21		147504-0-01	C-41		158085-0-01	B-60		158178-0-01	B-36	
	C-33		150106-0-01	Z-20- 6		158102-0-01	F-54		158179-0-01	B-44	
	C-44		150139-0-01	Z-20-14		158103-0-01	F-54- 2		158180-0-01	B-32	
048070-3-42	C-23		150150-0-03	Z-20		158104-0-01	Z-15		158181-0-01	A-38- 1	
048080-3-42	C-43		150172-0-01	Z-20- 5		158105-0-01	A-38		158182-0-01	A-38- 2	
081005-6-70	A-14		150173-0-01	Z-20- 6- 1		158106-0-01	A-38- 1- 2		158183-0-01	A-38- 5	
100032-0-04	D-36		150174-0-00	Z-20- 1		158107-0-01	A-40- 1- 2		158184-0-01	A-38- 3	
100251-0-01	B- 8		150177-0-01	Z-20-13		158108-0-01	A-69		158185-0-01	A-38- 4	
	B-63		150178-0-01	Z-20- 4- 1		158109-0-01	A-69- 1- 1		158186-0-01	A-38- 6- 2	
	B-64		150179-0-01	Z-20- 7		158110-0-01	A-69- 4		158187-0-01	A-38- 6- 1	
	B-68		150180-0-00	Z-20-10			A-69- 8		158188-0-01	A-40- 5	
	B-75		150181-0-01	Z-20-14- 2		158111-0-01	A-69- 2- 2		158189-0-01	A-40- 6	

Parts No.	Ref. No.	Remark	Parts No.	Ref. No.	Remark	Parts No.	Ref. No.	Remark	Parts No.	Ref. No.	Remark
158190-0-01	A-40- 9		158266-0-01	F-30- 1-		158342-0-01	A-11		158496-0-01	D-14	
158191-0-01	A-40- 3		158267-0-01	F-30- 2		158343-0-01	B-72		158497-0-01	D-13	
158192-0-01	A-40- 2		158268-0-01	F-30- 4		158344-0-01	B-53- 2		158498-0-01	D- 1	
158193-0-01	A-40- 1		158269-0-01	F-30- 3		158345-0-01	C- 1- 4- 2		158500-0-01	A-67	
158194-0-01	A-40- 7		158270-0-01	F-30- 5		158346-0-01	C- 1- 5- 3		158502-0-01	B-32- 1	
158195-0-01	A-40- 4		158271-0-01	F-30- 6		158347-0-01	C- 1- 5- 4		158505-0-01	F-30- 7	
158196-0-01	A-40- 8		158272-0-01	F-19		158348-0-01	C- 1- 5- 2		158506-0-01	E- 7	
158197-0-01	A- 8		158273-0-01	F-18			D- 8- 2		158534-0-01	B-85- 2	
158198-0-00	A-43		158274-0-01	F-21- 1		158349-0-00	C- 5		158535-0-01	B-85- 3	
158199-0-01	A-46		158275-0-01	F-17		158350-0-01	D-22		158536-0-01	B-85- 1	
158200-0-01	A-44		158276-0-01	F-15		158351-0-01	A-71		181427-0-01	E-29	
158201-0-01	A-19		158277-0-01	C-56		158352-0-01	A-62				
158202-0-01	A- 1		158278-0-01	B-81		158353-0-01	D- 4		100666-0-02	Z-17- 1	
158203-0-01	A-24		158279-0-01	B-80		158354-0-01	F-42		156253-0-00	E-30	
158205-0-01	B-86		158280-0-01	B-74		158355-0-01	F-43				
	Z- 8		158281-0-01	B-56		158356-0-01	F-44				
158208-0-01	E- 6		158282-0-01	B-19		158357-0-01	F-45				
158209-0-01	E- 5		158283-0-01	B-32- 3		158358-0-01	F-53				
158210-0-01	E-10		158284-0-01	F- 3		158359-0-01	F-49				
158211-0-01	E- 9		158285-0-01	D-32		158360-0-01	F-49- 2				
158212-0-01	E-11		158286-0-01	F-21		158361-0-01	F-47- 2				
158213-0-01	E-14		158287-0-01	F-23- 1			F-49- 3				
158214-0-01	E-16		158288-0-01	F-24		158362-0-01	F-49- 5				
158216-0-01	C-62- 5		158289-0-01	F-23- 3		158363-0-01	F-47- 1				
	E- 7- 2		158290-0-01	F-21- 3			F-49- 1				
	D-21- 4- 1		158291-0-01	F- 3- 3		158364-0-01	F-49- 4				
158217-0-01	E- 2		158292-0-01	F- 3- 4		158365-0-01	F-48				
158218-0-01	E- 3		158293-0-01	F- 2		158366-0-01	F-46				
158219-0-01	E- 8		158294-0-01	F- 9		158367-0-01	F-50				
158220-0-01	E- 1		158297-0-01	F-25		158368-0-01	F-52				
158221-0-01	E-28		158298-0-01	F-26		158369-0-01	F-51				
158222-0-01	E-27		158299-0-01	F-27		158370-0-01	F-47				
158223-0-01	E-28- 2		158301-0-01	D-17		158371-0-01	F-47- 3				
158224-0-01	E-22		158302-0-01	C-57		158372-0-01	B- 5				
158225-0-01	E-12			D- 1-10- 3		158374-0-01	F-41				
158226-0-01	E-26			D- 5		158375-0-01	A-38- 6				
158227-0-01	E-13			D-15		158451-0-01	F-12				
158228-0-01	A-39		158303-0-01	D-16		158452-0-01	F-12- 3				
158229-0-01	E-20		158304-0-01	D-19		158453-0-01	F-12- 1				
158230-0-01	E-21		158305-0-01	D-18		158454-0-01	F-12- 2				
158231-0-01	E-17		158306-0-01	D-11		158456-0-01	F-23				
158232-0-01	E-19		158307-0-01	D-31		158457-0-01	F-23- 2				
158233-0-01	C-73		158308-0-01	D-29		158459-0-01	B-14				
158234-0-01	C-72		158309-0-01	D- 8- 7		158460-0-01	B- 5- 2				
158235-0-01	C-66		158310-0-01	D- 9		158462-0-01	B-34				
158236-0-01	C-51		158311-0-01	D- 1-10		158463-0-11	B-41				
158237-0-00	C- 7						Z- 6				
158238-0-01	C-53		158313-0-01	D- 1-10- 1		158464-0-01	B-35				
158239-0-01	C-58		158314-0-01	D- 1- 2			B-45				
158240-0-01	C-69		158315-0-01	D- 1-11		158465-0-01	B-71				
	C-71		158316-0-01	D-1- 3		158467-0-01	B-46- 3				
158241-0-01	C-68		158321-0-01	D- 7		158468-0-01	B-57				
158242-0-01	C-10		158322-0-01	D- 4		158471-0-01	B-85				
158244-0-01	C-62- 3		158323-0-01	D-23		158472-0-01	B-87				
	D- 8- 5		158324-0-01	D-28		158474-0-01	E-15				
158245-0-01	C-62- 2		158325-0-01	D-24		158475-0-01	E-24				
158246-0-01	C-62- 1		158326-0-01	D-27		158477-0-01	C-62				
158248-0-01	C-56- 1		158327-0-01	D-26		158478-0-01	C-62- 4				
158249-0-01	C-56- 2		158328-0-01	D-21- 1		158480-0-01	B-77				
158250-0-01	C-64		158329-0-01	D- 8-10		158482-0-01	C- 1				
158251-0-01	C-60			D-21- 2		158483-0-01	C- 1- 2				
158252-0-01	C-52		158331-0-01	D-21- 5- 2		158484-0-01	B-69- 2				
158253-0-01	C- 1- 8		158332-0-01	D-21- 4			B-77- 2				
158254-0-01	C- 1- 7		158333-0-01	D-21		158486-0-01	B-69				
158255-0-01	C- 1- 6		158334-0-01	D- 8-11		158488-0-01	C- 3				
158256-0-01	C-11		158335-0-01	D-20		158491-0-01	D- 8				
158257-0-01	C-11- 2		158336-0-01	A-15		158492-0-01	D- 1- 1				
158258-0-01	C- 1- 5		158337-0-01	C-62- 6			D- 8-12				
158259-0-01	C- 1- 1			D 8- 11			D-21- 3				
158260-0-01	C- 1- 3		158338-0-01	D- 8- 4		158493-0-01	D- 8- 6				
158261-0-01	C- 1- 4		158339-0-01	D- 8- 3		158494-0-01	D- 8- 8				
158263-0-01	F-32		158340-0-01	B-22		158495-0-01	D- 1- 9				
158265-0-01	B-53		158341-0-01	B-24			D- 8- 9				

brother[®]