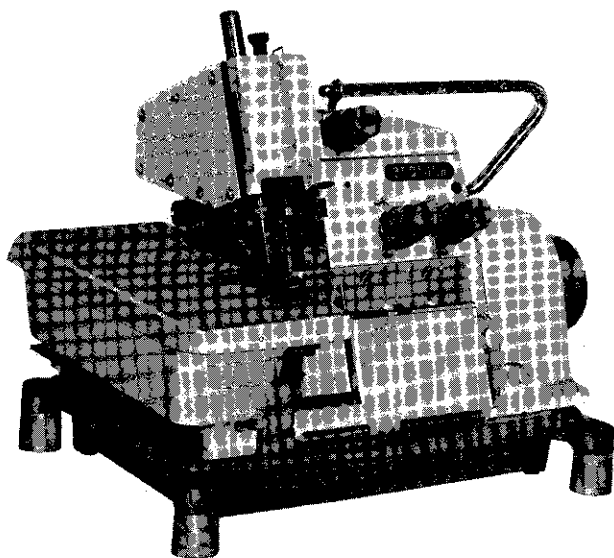


04

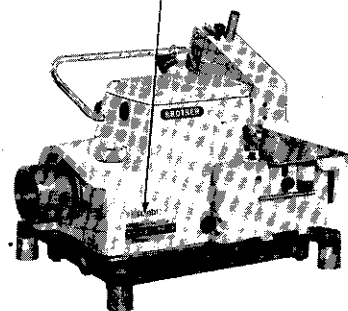
PARTS BOOK

FOR

BROTHER EF4-B561·B571



P561102



Single Needle
Twin Needle Overlock Sewing Machine

BROTHER INDUSTRIES, LTD.
NAGOYA, JAPAN

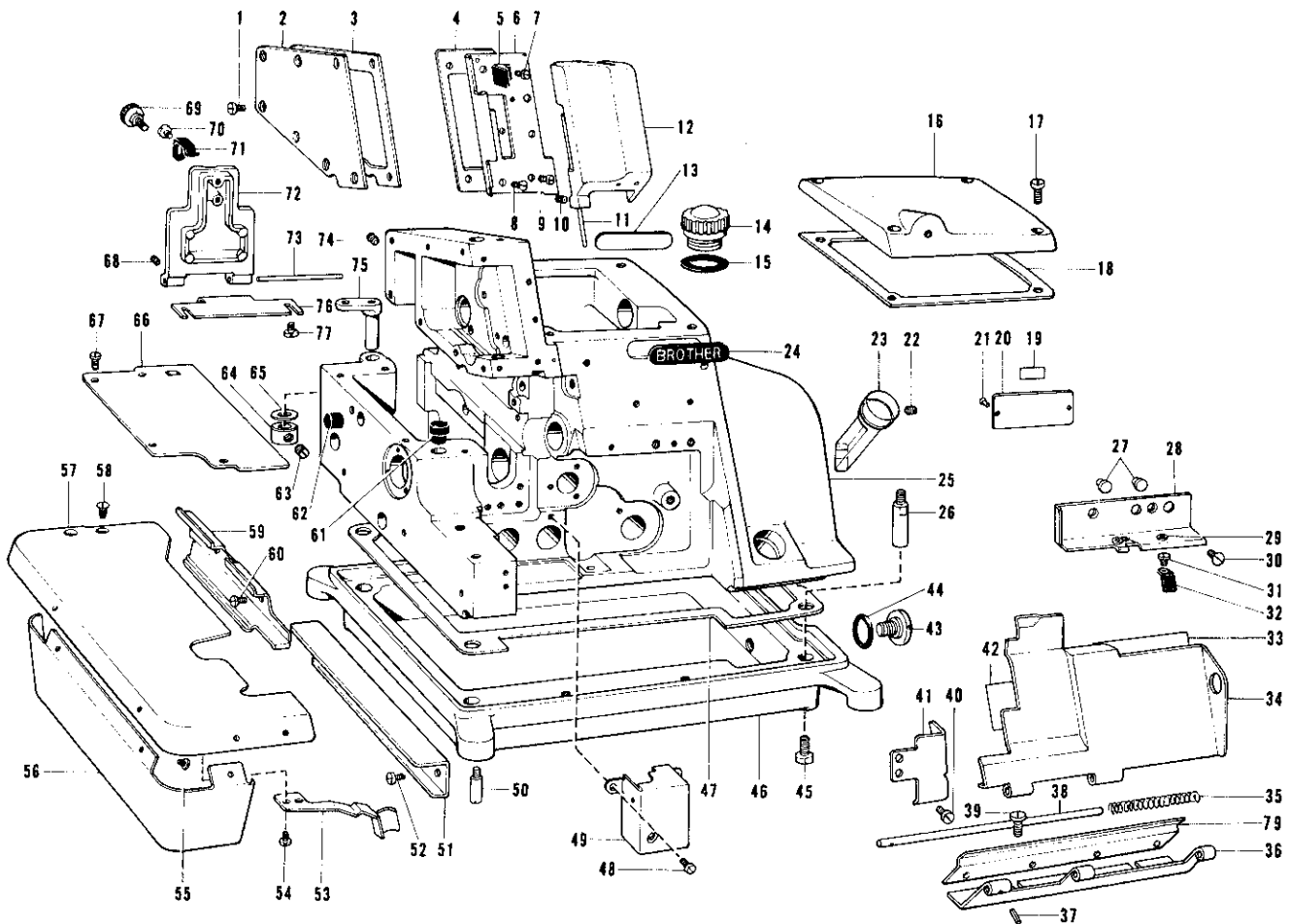
How to use the parts book

1. This parts book can be used for ordering of the parts of the machine whose plate number is same as shown on the upper cover of the book (or correction sheet).
2. Those pages from A ~ F·Z·Y on this parts catalogue show all the parts for EF4-B561·001-○.
3. When the column for the parts number or parts assembly number is , 000000-0-00 please refer to the different parts list on the page 25.
4. When the column for the parts number is , the parts can not be supplied. But when the parts number is shown in the column, please order the parts by the parts assembly number so that the parts can be arranged in the form of assembled parts.
5. After page 7, please refer to the different parts list on the page 25.

CONTENTS

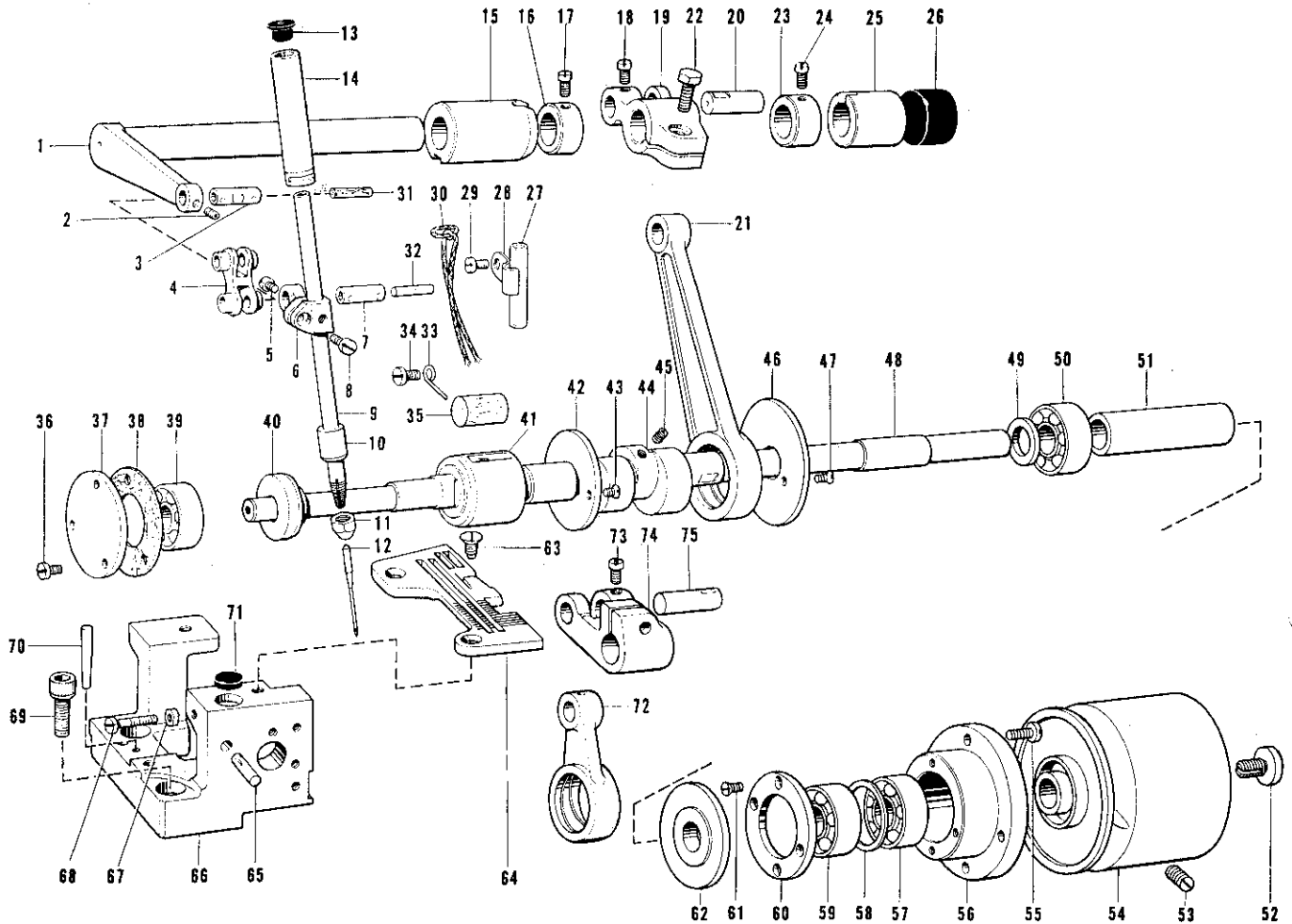
<p>A. 001—○ (Thin, Medium)1 Machine Body</p> <p>B. 001—○ (Thin, Medium)2 Crank Shaft and Needle Bar Mechanism</p> <p>C. 001—○ (Thin, Medium)3 Looper Mechanism</p> <p>D. 001—○ (Thin, Medium)4 Feed Mechanism</p> <p>E. 001—○ (Thin, Medium)5 Knives and Presser Foot Mechanism</p> <p>F. 001—○ (Thin, Medium)6 Threading</p> <p>I. 002—○ (Bulky Knit)7</p> <p>J. 003—○ (Blind Hemming)8</p> <p>J'. 007—○ (Curling)8</p> <p>K. 008—○ (Ruffling)9</p> <p>L. 009—○ (Ruffling (W/Piping))10</p> <p>M. 010—○ (Thin, Medium Taping)11</p> <p>M'. 005—○ (Serging)11</p> <p>N. 011—○ (Bulky, Medium Taping)12</p>	<p>P. Cord Guide13</p> <p>Z. Machine Head Plate and Spool Stand·14</p> <p>Y. Accessories15</p> <p>a. Definite Parts for EF4-B57116</p> <p>b. 021—○ Needle Width 1.8mm (Thin)16</p> <p>c. 022—○ Needle Width 2.2mm (Thin, Medium)17</p> <p>d. 023—○ Needle Width 2.2mm (Thin, Medium)17</p> <p>e. 027—○ Needle Width 2.2mm (Bulky Knit)18</p> <p>f. 031—○ Needle Width 3mm (Extra Heavy)19</p> <p>g. 033—○ Needle Width 2.2mm (Ruffling)20</p> <p>h. 037—○ Needle Width 2.2mm (Ruffling (W/Piping))21</p> <p>j. 041—○ Needle Width 2.2mm (Thin, Medium Taping)22</p> <p>j'. 042—○ Needle Width 2.2mm (Thin, Medium Taping)22</p> <p>k. 045—○ Needle Width 2.2mm (Bulky Knit Taping)23</p> <p>z. Machine Head Plate and Spool Stand·24</p> <p>DIFFERENT PARTS LIST25</p> <p>INDEX30</p>
--	---

A. 001—○ (Thin, Medium)
Machine Body



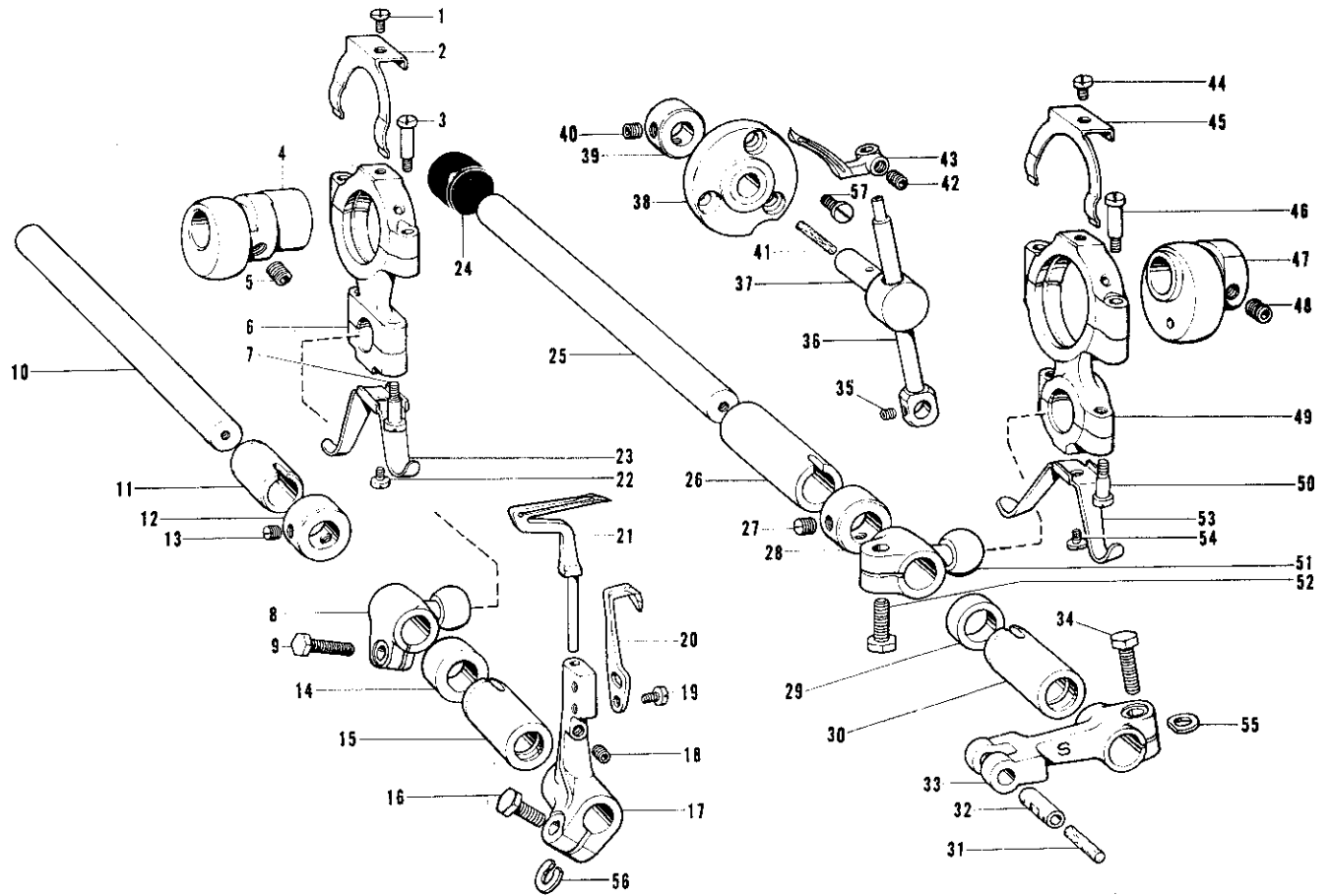
Ref. No.	Name of Parts	Qty	Parts No.	Assembly No.	Ref. No.	Name of Parts	Qty	Parts No.	Assembly No.
A-1	Screw	7	009680-7-14		A-40	Screw	2	009670-6-12	
A-2	Cover for Needle Driving Mechanism	1	148067-0-01		A-41	Front Cover Guide	1	148081-0-01	
A-3	Face Plate Packing	1	148068-0-00		A-42	Looper Threading Level	1	147943-0-01	
A-4	Face Plate Packing	1	148075-0-00		A-43	Screw	1	110641-0-01	
A-5	stopper Spring	1	140041-0-01		A-44	Packing	1	109203-0-01	
A-6	Face plate	1	148074-0-01		A-45	Bolt	4	017771-6-12	
A-7	Screw	1	009670-6-12		A-46	Oil Reservoir	1	148087-0-01	
A-8	Screw	1	102843-0-04		A-47	Packing	1	148088-0-00	
A-9	Screw	3	009670-6-12		A-48	Screw	2	009670-6-12	
A-10	Screw	1	146427-0-01		A-49	Inside Cover	1	148078-0-01	
A-11	Pin for Face Plate	1	146426-0-00		A-50	Set Pin for Cushion	4	140077-0-01	
A-12	Face plate Cover	1	148073-0-01		A-51	Frame Hanger	1	148090-0-01	
A-13	Number Level (P)	1			A-52	Screw	3	009680-7-12	
A-14	Cap for Oil Feeding Hole	1	146421-0-00		A-53	Stopper Spring for Cloth Plate	1	148304-0-01	
A-15	Packing	1	113589-0-01		A-54	Screw	2	009670-6-12	
A-16	Top Cover	1	148065-0-01		A-55	Screw	3	106568-0-01	
A-17	Screw	4	009681-2-12		A-56	Cloth Plate Lower	1	148083-0-01	
A-18	Packing	1	148066-0-00		A-57	Cloth Plate	1	148082-0-01	
A-19	Level	1			A-58	Screw	2	100032-0-03	
A-20	Model Plate B 561	1			A-59	Cloth Guide (L)	1	148089-0-01	
A-21	Model plate Pin	2			A-60	Screw	2	009670-6-12	
A-22	Screw	1	014680-4-22		A-61	Oil Cap	1	148077-0-01	
A-23	Oil Gauge	1	148084-0-01		A-62	Oil Cap	1	146315-0-00	
A-24	Name Plate	2			A-63	Screw	2	101706-0-01	
A-25	Machine Body	1			A-64	Set Collar	1		181969-0-03
A-26	Machine Body Leg	4	148085-0-01		A-65	Washer	1	141183-0-00	
A-27	Oil Cap	2	111865-0-01		A-66	Cover for Feed Mechanism	1	148076-0-01	
A-28	Supporter for Front Cover	1		146713-0-01	A-67	Screw	4	009670-6-12	
A-29	Thread Bushing	2	146924-0-00		A-68	Screw	1	146427-0-01	
A-30	Screw	2	117160-0-01		A-69	Screw	1	106120-0-02	
A-31	Screw	1	009670-4-12		A-70	Screw	1	009670-6-12	
A-32	Stopper Spring for Front Cover	1	146446-0-01		A-71	Stopper Spring	1	148072-0-01	
A-33	Threading Diagram	1	148091-0-01		A-72	Cover for Feed Mechanism (B)	1	148069-0-01	
A-34	Front Cover	1			A-73	Hinge Pin	1	148071-0-00	
A-35	Spring	1	146442-0-01		A-74	Screw	2	013760-6-12	
A-36	Front Cover Hinge	1	146440-0-01		A-75	Cloth Plate Supporter	1	143374-0-01	
A-37	Pin	1	047140-8-42	148982-0-01	A-76	Feed Mechanism Cover Hinge B	1	148070-0-01	
A-38	Shaft for Front Cover	1	146441-0-00		A-77	Screw	2	009680-7-12	
A-79	Hinge Cover	1	148984-0-01		A-78	Packing	1	148859-0-00	
A-39	Screw	2	107407-0-03						

B. 001—○ (Thin, Medium)
Crank Shaft and Needle Bar Mechanism



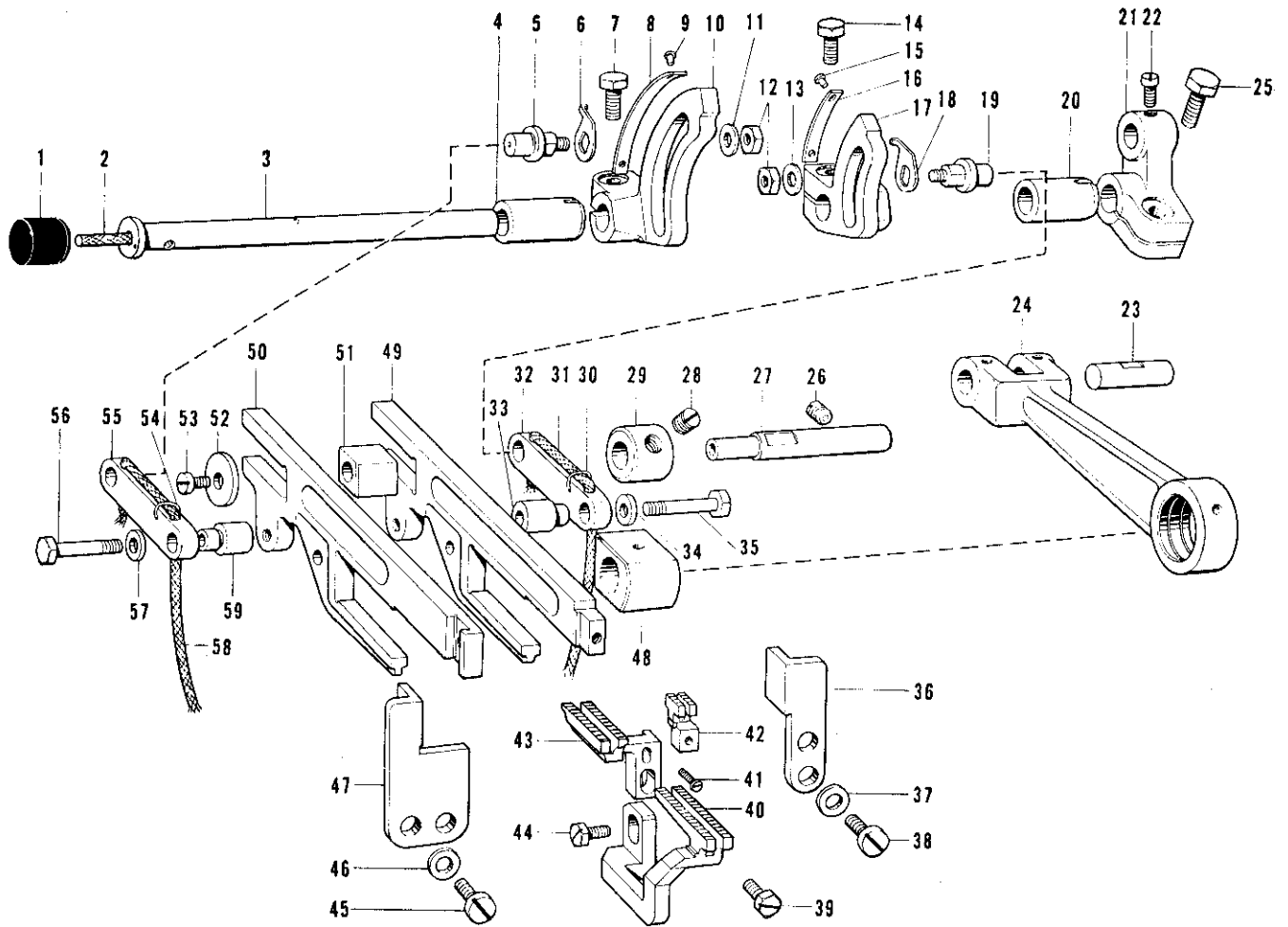
Ref. No.	Name of Parts	Qty	Parts No.	Assembly No.	Ref. No.	Name of Parts	Qty	Parts No.	Assembly No.
B-1	Needle Bar Crank Shaft	1		148269-0-01	B-37	Bearing Cap	1	143311-0-01	
B-2	Screw	1	146427-0-01		B-38	Packing	1	143312-0-00	
B-3	Needle Bar Link Shaft	1			B-39	Bearing 6000	1	072600-0-00	
B-4	Needle Bar Link	1			B-40	Bushing	1	148086-0-00	
B-5	Screw	1	009669-4-12		B-41	Crank Shaft Outer Bushing (L) Assembly	1	148373-0-00	
B-6	Needle Bar Clamp	1			B-42	Looper Connecting Rod Stopper Guide L	1	148225-0-01	
B-7	Needle Bar Link Shaft	1			B-43	Screw	2	102843-0-04	
B-8	Screw	1	009670-8-12	B-44	Needle Bar, Upper knife Eccentric Cam	1			
B-9	Needle Bar	1		B-45	Screw	2	148857-0-01		
B-11	Needle Clamp Nut	1	147631-0-01	B-46	Looper Connecting Rod Stopper Guide R	1	148205-0-01		
B-10	Needle Bar Bushing (D)	1	146486-0-00	B-47	Screw	2	102843-0-04		
B-12	Needle DC×I	1	112297-0-11	B-48	Crank Shaft	1	148109-0-01		
B-13	Cap	1	114255-0-02	B-49	Spacer	1	148112-0-00		
B-14	Needle Bar Bushing (U)	1	148123-0-01	B-50	Bearing 6001	1	072600-1-00		
B-15	Needle Shaft Bushing (Left)	1	148121-0-00	B-51	Collar L	1	148111-0-00		
B-16	Set Collar	1	140092-0-01	B-52	Cap Screw	1	140180-0-01		
B-17	Screw	2	100366-0-01	B-53	Screw	2	013761-4-10		
B-18	Screw	1	100366-0-01	B-54	Pully	1	140085-0-03		
B-19	Needle Arm Driving Lever	1		B-55	Screw	4	009681-0-12		
B-20	Pin	1		B-56	Bearing Case	1	110670-0-00		
B-21	Needle Arm Driving Crank Rod	1		B-57	Bearing 6001	1	072600-1-00		
B-22	Bolt	1	017761-6-12	B-58	Thrust Washer	1	110672-0-00		
B-23	Set Collar	1	140092-0-01	B-59	Bearing 6001	1	072600-1-00		
B-24	Screw	2	100366-0-01	B-60	Bearing Cover	1	110673-0-00		
B-25	Needle Shaft Bushing (Right)	1	148120-0-00	B-61	Screw	4	107244-0-01		
B-26	Oil Cap 20. 30×10	1	140066-0-01	B-62	Oil Rejector	1	140084-0-00		
B-27	Vinyl Tube	1	146644-0-00	B-63	Screw	2	100032-0-03		
B-28	Tube Holder	1	148315-0-01	B-64	Needle Plate	1			
B-29	Screw	1	009680-7-12	B-65	Pin	1	117608-0-01		
B-30	Wick	1	118768-0-01	B-66	Needle Plate Support Bracket	1	148124-0-01		
B-31	Felt	1	147691-0-00	B-67	Nut	1	021670-2-02		
B-32	Felt	1	147691-0-00	B-68	Screw	1	009671-4-12		
B-33	Felt Holder	1	148247-0-01	B-69	Bolt	2	018061-6-22		
B-34	Screw	1	009680-7-12	B-70	Pin 3.5×24	1	107351-0-01		
B-35	Felt	1	112754-0-01	B-71	Cloth Plate Cushion (B)	1	111486-0-01		
B-36	Screw	3	009670-8-12						

C. 001—○ (Thin, Medium)
Looper Mechanism



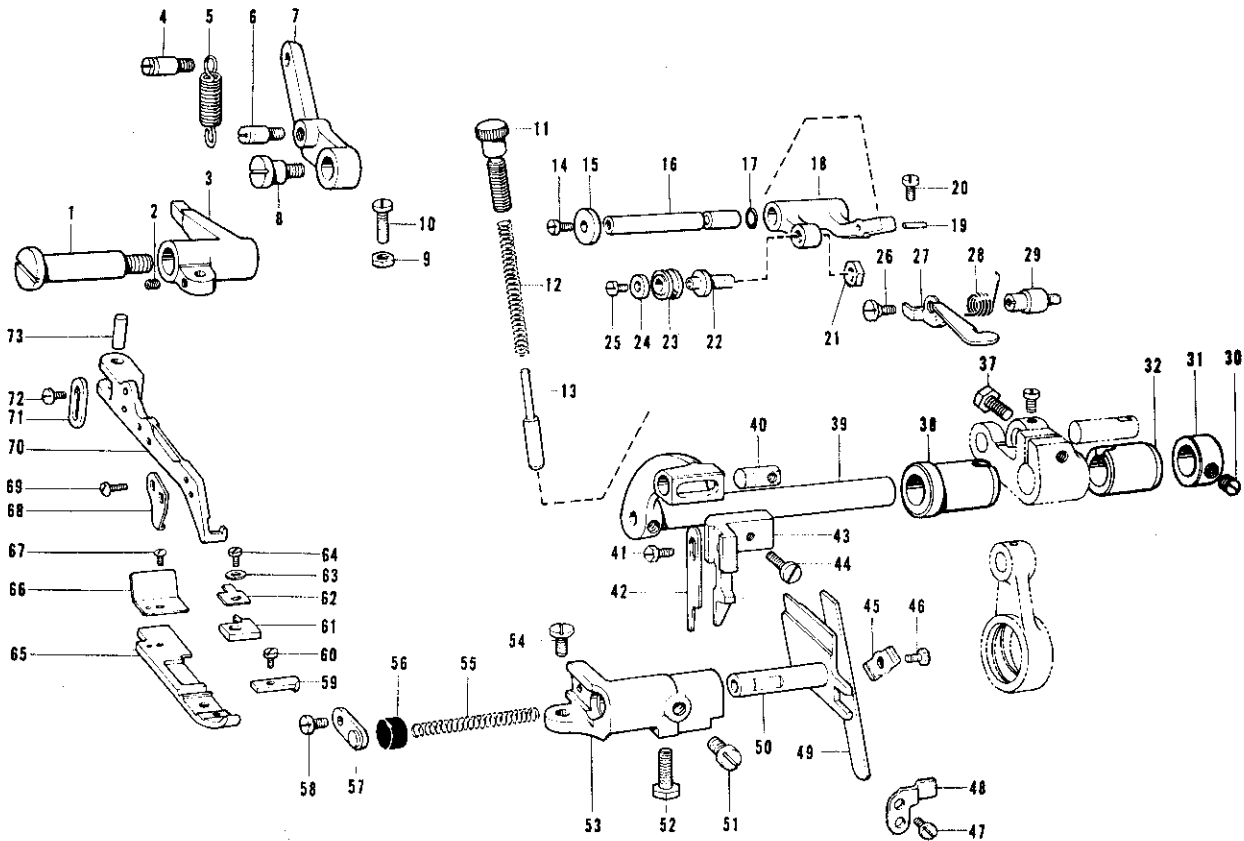
Ref. No.	Name of Parts	Qty	Parts No.	Assembly No.	Ref. No.	Name of Parts	Qty	Parts No.	Assembly No.
C-1	Screw	1	009670-5-12		C-30	Bushing	1	144031-0-00	
C-2	Looper Connecting Rod Stopper	1	148224-0-01		C-31	Wick	1	108809-0-01	
C-4	Under Looper Eccentric Cam	1		181629-0-01	C-32	Over Looper Holder Pin	1		
C-5	Screw	2	148857-0-01		C-33	Over Looper	1		
C-3	Screw	2	142590-0-01		C-34	Bolt	1	017761-4-12	
C-6	Looper Connecting Rod	1		181630-0-01	C-35	Screw	1	146427-0-01	148209-0-01
C-7	Screw	2	142590-0-01		C-36	Over Looper Holder	1		
C-8	Under Looper Connecting Lever	1		148220-0-01	C-37	Over Looper Holder Guide Bolck	1		
C-9	Bolt	1	017771-4-12		C-38	Over Looper Holder Guide Base	1		
C-10	Under Looper Shaft	1	148226-0-01		C-39	Set Collar	1		
C-11	Under Looper Shaft Bushing (B)	1	148227-0-00		C-40	Screw	2	014680-4-22	
C-12	Set Collar	1		180323-0-01	C-55	Spacer	1	148783-0-01	
C-13	Screw	2	013760-6-12		C-42	Screw	1	014680-4-22	147934-0-01
C-14	Trust Collar	1	148229-0-01		C-43	Over Looper	1		
C-15	Under Looper Shaft Bushing (F)	1	148228-0-00		C-44	Screw	1	009670-5-12	
C-16	Bolt	1	017751-4-12		C-45	Looper Connecting Rod Stopper	1	148204-0-01	
C-17	Under Looper Hodler	1	146617-0-01		C-47	Over Looper Eccentric Cam	1		181628-0-01
C-18	Screw	1	014680-4-22		C-48	Screw	2	148857-0-01	
C-19	Screw	2	009670-8-12		C-46	Screw	2	142658-0-01	
C-20	Movable Needle Guard	1	144127-0-01		C-49	Over Looper Connecting Rod	1		181631-0-01
C-21	Under Looper	1	144049-0-01		C-50	Screw	2	142590-0-01	
C-22	Screw	1	009670-5-12		C-51	Over Looper Connecting Lever	1		148200-0-01
C-23	Oil Jumping Plate L	1	148251-0-01		C-52	Bolt	1	017771-6-12	
C-24	Oil Cap 20.30×10	1	140066-0-01		C-53	Oil Jumping Plate R.	1	148250-0-01	
C-25	Over Looper Shaft	1	148206-0-01		C-54	Screw	1	009670-5-12	
C-26	Bushing	1	148207-0-00		C-41	Wick	1	148249-0-00	
C-27	Screw	2	100260-0-01		C-56	Spacer	1	148782-0-01	
C-28	Set Collar	1	146581-0-01		C-57	Screw	3	009680-7-12	
C-29	Thrust Collar	1	148208-0-01						

D. 001—○ (Thin, Medium)
Feed Mechanism



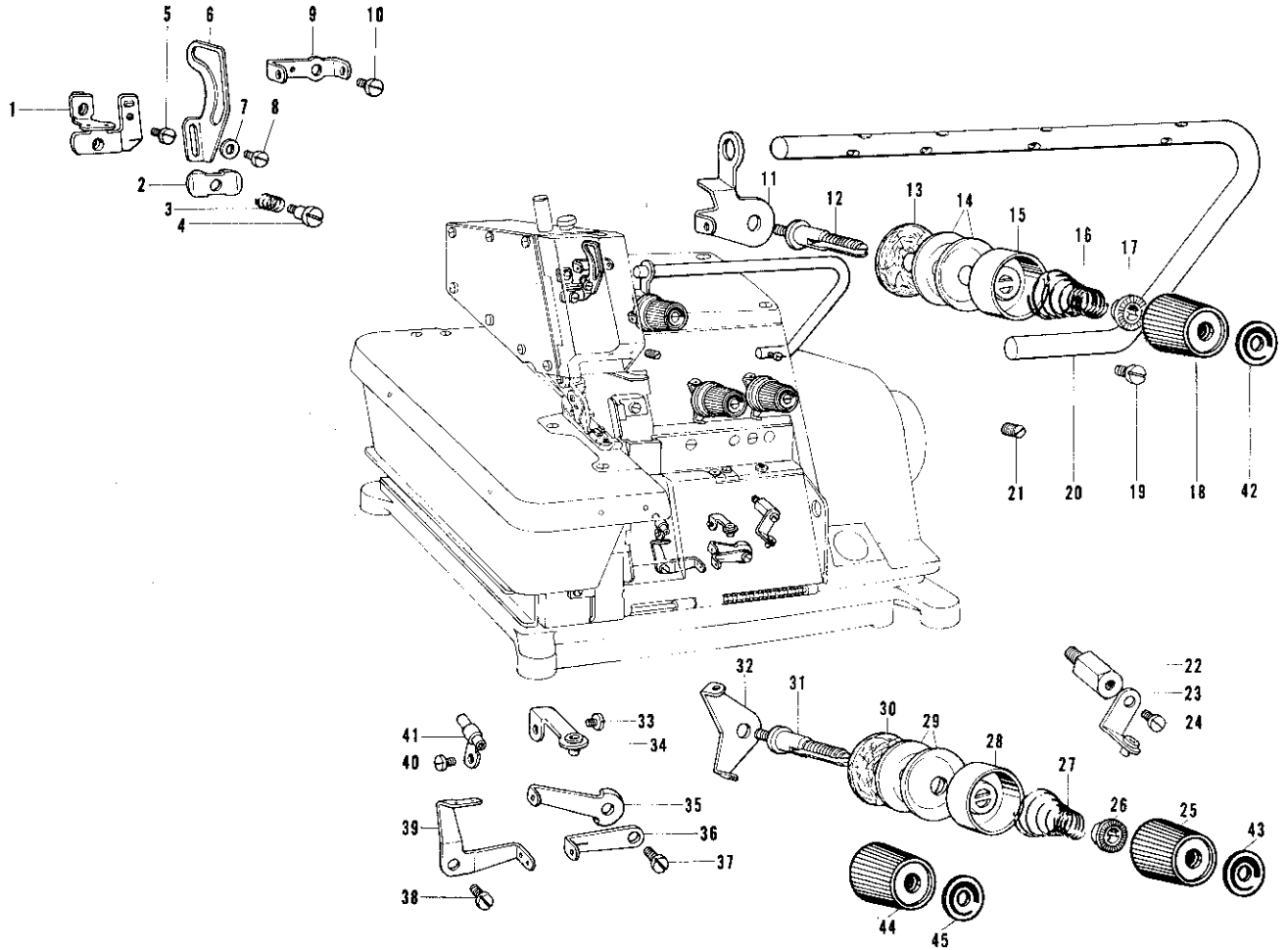
Ref. No.	Name of Parts	Q'ty	Parts No.	Assembly No.	Ref. No.	Name of Parts	Q'ty	Parts No.	Assembly No.
D-1	Oil Cap 14, 30×10	1	140065-0-01		D-31	Wick	1	142674-0-00	
D-2	Wick	1	148248-0-00		D-32	Feed Link	1	148184-0-00	
D-3	Feed Shaft	1	148167-0-01		D-33	Feed Link Bushing	1	148185-0-01	
D-4	Feed Shaft Bushing (L)	1	148168-0-00		D-34	Washer	1	140208-0-01	
D-5	Feed Link Shaft	1	148181-0-01		D-35	Bolt	1	148186-0-01	
D-6	Feed Link Indicator Plate L	1	148183-0-01		D-36	Feed Bar Guide (R)	1	148174-0-00	
D-7	Bolt	1	017761-4-12		D-37	Washer	2	113431-0-02	
D-8	Indicator Plate	1	148180-0-01		D-38	Screw	2	107407-0-03	
D-9	Model Plate Pin	1	116231-0-01		D-39	Bolt	1	117516-0-01	
D-10	Differential Feed Arm	1	148179-0-01		D-40	Differential Feed Dog	1	146748-0-01	
D-11	Washer	1	148847-0-01		D-41	Screw	1	009630-8-12	
D-12	Nut	2	148838-0-01		D-42	Chain Feed Dog	1	146577-0-01	
D-13	Washer	1	148847-0-01		D-43	Main Feed Dog	1	146744-0-01	
D-14	Bolt	1	017761-4-12		D-44	Bolt	1	117516-0-01	
D-15	Model Plate Pin	2	116231-0-01		D-45	Screw	2	107407-0-03	
D-16	Indicator Plate	1	148178-0-01		D-46	Washer	2	113431-0-02	
D-17	Main Feed Arm	1	148177-0-01		D-47	Feed Bar Guide (L)	1	148175-0-00	
D-18	Feed Link Indicator Plate R	1	148182-0-01		D-48	Feed Lifting Slide Block	1	148173-0-00	148262-0-01
D-19	Feed Link Shaft	1	148181-0-01		D-49	Main Feed Bar	1		
D-20	Feed Shaft Bushing (R)	1	148169-0-00		D-50	Differential Feed Bar	1		148170-0-01
D-21	Feed Arm	1			D-51	Feed Bar Guide Block	1	146547-0-00	
D-22	Screw	1	100366-0-01	148163-0-01	D-52	Slide Plate	1	146549-0-01	
D-23	Pin	1	148166-0-01		D-53	Screw	1	009680-7-12	
D-24	Feed Rod	1			D-54	Steel Wire	1	140774-0-00	
D-25	Bolt	1	017761-4-12		D-55	Feed Link	1	148403-0-00	
D-26	Screw	1	148857-0-01		D-56	Bolt	1	148186-0-01	
D-27	Feed Bar Guide Block Shaft	1	148176-0-01		D-57	Washer	1	140208-0-01	
D-28	Screw	2	101706-0-03	181995-0-01	D-58	Wick	1	142674-0-00	
D-29	Set Collar	1			D-59	Feed Link Bushing	1	148404-0-01	
D-30	Steel Wire	1	140774-0-00						

E. 001—○ (Thin, Medium)
Knives and Presser Foot Mechanism



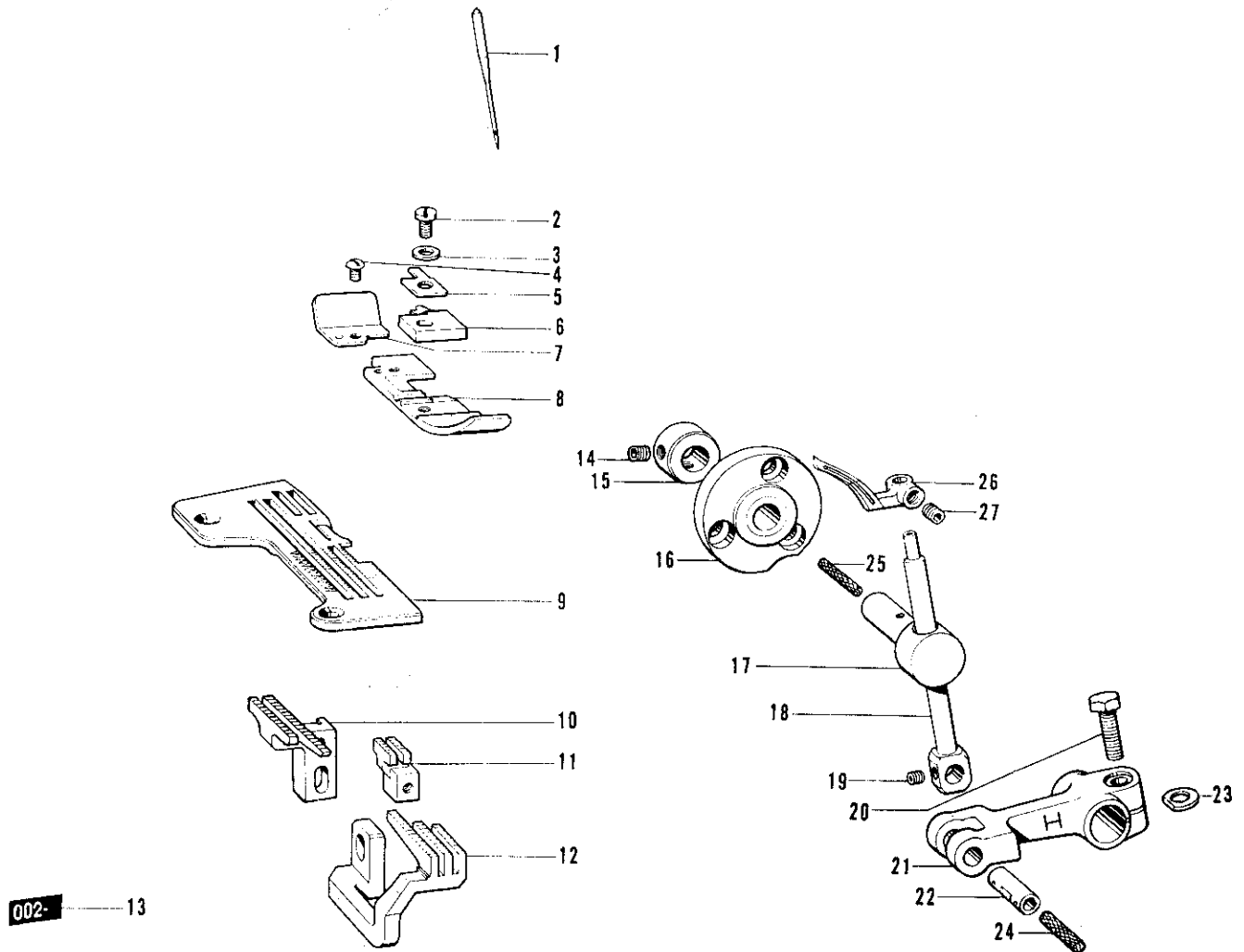
Ref. No.	Name of Parts	Q'ty	Parts No.	Assembly No.	Ref. No.	Name of Parts	Q'ty	Parts No.	Assembly No.
E-1	Screw	1	148147-0-01		E-38	Bushing Left	1	148196-0-00	
E-2	Screw	1	146427-0-01		E-39	Upper Knife Driving Arm	1	146580-0-01	
E-3	Presser Foot Supporter	1	148146-0-01		E-40	Nut	1	148281-0-01	
E-4	Spring Hook	1	148144-0-01		E-41	Bolt	1	144075-0-01	
E-5	Spring	1	148145-0-01		E-42	Upper Knife	1	148198-0-01	
E-6	Spring Hook	1	148144-0-01		E-43	Upper Knife Holder	1	144073-0-01	
E-7	Presser Foot Lifter Lever	1	148143-0-01		E-44	Screw	1	107407-0-03	
E-8	Screw	1	141528-0-01		E-45	Lower Knife Holding Plate	1	117515-0-01	
E-9	Nut	1	021680-2-02		E-46	Bolt	1	117516-0-01	
E-10	Screw	1	009681-4-12		E-47	Screw	2	009670-6-12	
E-11	Screw	1	148128-0-01		E-48	Lower Knife Holder Guide	1	146585-0-01	
E-12	Spring	1	148129-0-01		E-49	Lower Knife	1	112436-0-01	
E-13	Pin	1	148130-0-01		E-50	Lower Knife Holder	1	146754-0-01	
E-14	Screw	1	009680-7-12		E-51	Screw	1	107407-0-03	
E-15	Washer	1	148135-0-01		E-52	Bolt	1	017771-6-12	
E-16	Presser Bar Lever Shaft	1	148134-0-01		E-53	Lower Knife Holder Supporter	1	146582-0-01	
E-17	Packing	1	081002-6-70		E-54	Screw	1	102627-0-01	
E-18	Presser Bar Lever	1		148131-0-01	E-55	Spring	1	146584-0-01	
E-19	Rollar	1	148133-0-01		E-56	Cap	1	146586-0-00	
E-20	Screw	1	104908-0-01		E-57	Lower Knife Holder Spring Stopper	1	140248-0-01	
E-21	Nut	1	100022-0-05		E-58	Screw	1	009680-7-12	
E-22	Presser Arm Rollar Shaft	1			E-59	Presser Foot (Front)	1	146888-0-01	
E-23	Presser Arm Rollar	1		148346-0-01	E-60	Screw	1	009639-3-12	
E-24	Washer	1	148813-0-01		E-61	Presser Foot Stitch Tongue	1	146886-0-01	
E-25	Screw	1	009670-5-12		E-62	Presser Foot Hinge Spring	1	146887-0-01	
E-26	Screw	1	148139-0-01		E-63	Washer	1	025030-1-32	146884-0-01
E-27	Presser Bar Lifter	1	148137-0-01		E-64	Screw	1	100080-0-04	
E-28	Spring	1	148138-0-01		E-65	Presser Foot	1		
E-29	Presser Bar Lifter Bracket	1	148136-0-01		E-66	Presser Foot (Rear)	1		
E-30	Screw	2	100260-0-01		E-67	Screw	1	100105-0-05	
E-31	Set Collar	1	146581-0-01		E-68	Presser Foot Stopper	1	140504-0-01	
E-32	Bushing Right	1	148197-0-00		E-69	Screw	2	001660-5-12	
					E-70	Main Presser Arm	1	148149-0-01	
					E-71	Presser Arm Stopper	1	148148-0-01	
					E-72	Screw	2	009669-4-12	
					E-73	Pin	1	141393-0-01	
E-37	Bolt	1	017761-6-12						

F. 001—○ (Thin, Medium)
Threading



Ref. No.	Name of Parts	Q'ty	Parts No.	Assembly No.	Ref. No.	Name of Parts	Q'ty	Parts No.	Assembly No.
F-1	Needle Thread Guide	1	147344-0-01		F-23	Under Looper Thread Guide	1	146926-0-01	
F-2	Needle Thread Guard	1	112300-0-01		F-24	Screw	1	009670-6-12	
F-3	Needle Thread Guard Spring	1	112299-0-01		F-26	Washer	2	144105-0-00	
F-4	Screw	1	112301-0-01		F-27	Spring	2	144110-0-01	
F-5	Screw	1	009670-6-12		F-28	Tension Disc Washer	2	144103-0-02	
F-6	Needle Thread Take-up	1	144108-0-01		F-29	Tension Disc	4	145446-0-01	
F-7	Washer	1	105248-0-03		F-30	Felt	2	110832-0-01	
F-8	Screw	1	009669-3-12		F-31	Looper Thread Tension Control Stud	2	110820-0-01	
F-9	Needle Thread Guide (A)	1	143757-0-01		F-32	Needle Thread Guide Plate	2	110813-0-01	
F-10	Screw	1	009670-8-12		F-33	Screw	1	009670-6-12	
F-11	Thread Guide Supporter	1	146649-0-01		F-34	Over Looper Thread Guide	1	146929-0-01	
F-12	Looper Thread Tension Control Stud	1	110820-0-01		F-35	Over Looper Thread Take-up (R)	1	146652-0-01	
F-13	Felt	1	110832-0-01		F-36	Under Looper Thread Take-up (R)	1	146653-0-01	
F-14	Tension Disc	2	145446-0-01		F-37	Screw	1	009670-8-12	
F-15	Tension Disc Washer	1	144103-0-02		F-38	Screw	1	009670-6-12	
F-16	Spring	1	144104-0-01		F-39	Looper Thread Take-up (L)	1	146654-0-01	
F-17	Washer	1	144105-0-00		F-40	Screw	1	122771-0-02	
F-19	Screw	1	009681-4-12		F-41	Over Looper Thread Guide	1	142669-0-01	
F-20	Main Thread Guide	1	148253-0-01		F-25	Thread Tension Adjusting Nut	1		149568-0-02
F-21	Screw	1	013689-4-12		F-43	Color Plate	1	147049-0-02	
F-18	Thread Tension Adjusting Nut	1		149568-0-03	F-44	Thread Tension Adjusting Nut	1		149568-0-04
F-42	Color Plate	1	147049-0-03		F-45	Color Plate	1	147049-0-04	
F-22	Thread Guide Holder	1	148254-0-01						

I. 002—○ (Bulky Knit)

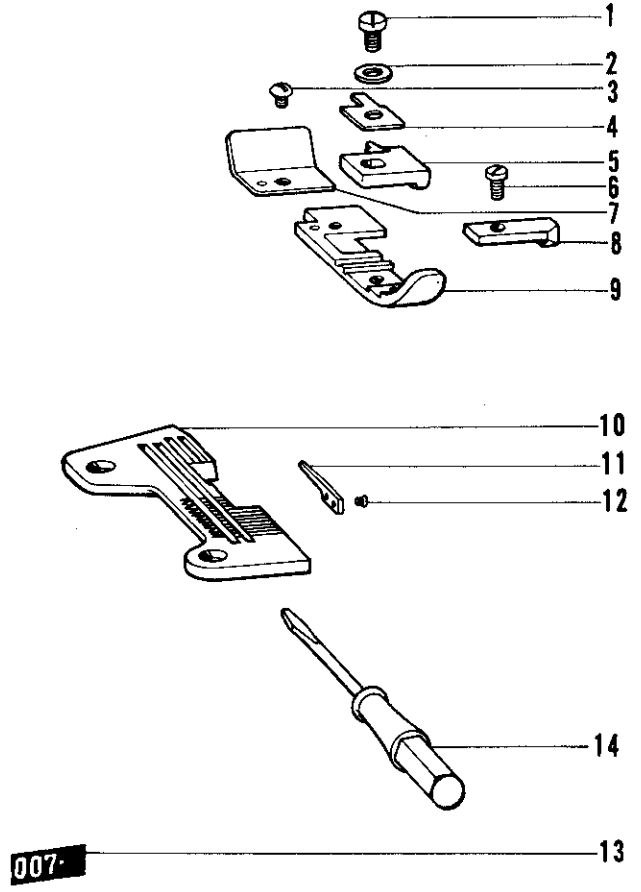
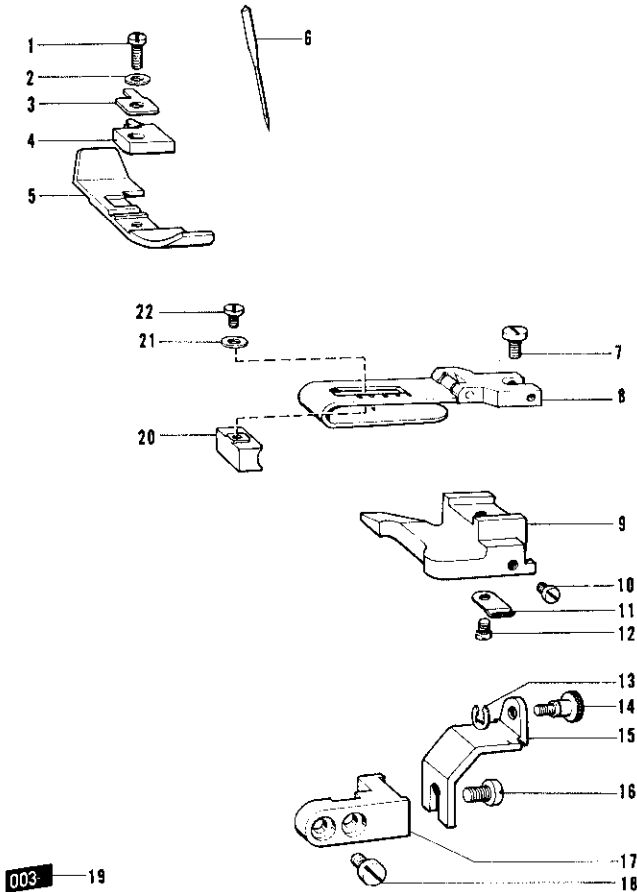


Ref. No.	Name of Parts	Q'ty	Parts No.	Assembly No.	Ref. No.	Name of Parts	Q'ty	Parts No.	Assembly No.
I-1	Needle DC×1	1	112297-0-14	146898-0-01	I-14	Screw	2	014680-4-22	148217-0-01
I-2	Screw	1	100080-0-04		I-15	Set Collar	1		
I-3	Washer	1	025030-1-32		I-16	Over Looper Holder Guide Base	1		
I-4	Screw	1	100105-0-05		I-17	Over Looper Holder Guide Block	1		
I-5	Presser Foot Hinge Spring	1	146887-0-01		I-18	Over Looper Holder	1		
I-6	Presser Foot Stitch Tongue	1	146900-0-01		I-19	Screw	1	146427-0-01	
I-7	Presser Foot (Rear)	1	145774-0-01		I-20	Bolt	1	017761-6-12	
I-8	Presser Foot	1			I-21	Over Looper Driving Lever	1		
I-9	Needle Plate	1			I-22	Over Looper Holding Shaft	1		
I-10	Main Feed Dog	1	148187-0-01		I-23	Spacer	1	148783-0-01	
I-11	Chain Feed Dog	1	148189-0-01		I-24	Wick	1	108809-0-01	
I-12	Differential Feed Dog	1	146750-0-01		I-25	Wick	1	148249-0-00	
I-13	Lavel	1			I-26	Over Looper	1		
				I-27	Screw	1	014680-4-22		

★All other parts except above-mentioned parts are the same as those for 001—○.

J. 003—○ (Blind Hemming)

J'. 007—○ (Curling)



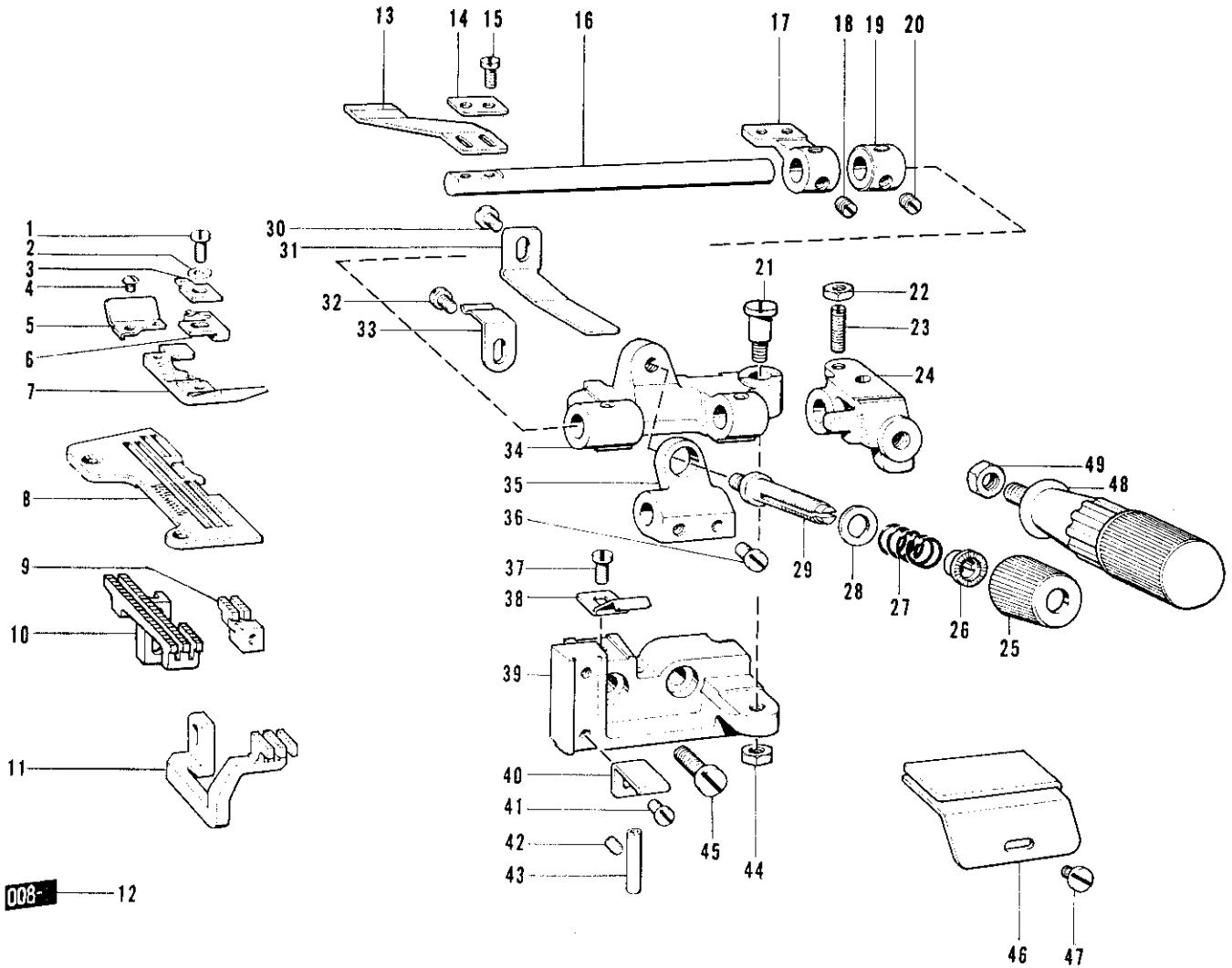
Ref. No.	Name of Parts	Q'ty	Parts No.	Assembly No.
J- 1	Screw	1	100080-0-04	146890-0-01
J- 2	Washer	1	025030-1-32	
J- 3	Presser Foot Hinge Spring	1	146887-0-01	
J- 4	Presser Foot Stitch Tongue	1	146892-0-01	
J- 5	Presser Foot	1		151173-0-01
J- 6	Needle DC×1	1	112297-0-09	
J- 7	Screw	1	001670-6-14	147710-0-01
J- 8	Edge Hemming Ruler A Assembly	1		
J-20	Blind Hemming Ruler Adjuster	1	150339-0-01	
J-21	Washer	1	025030-2-32	
J-22	Screw	1	009660-4-12	
J- 9	Edge Hemming Ruler	1	147711-0-01	
J-10	Screw	1	111443-0-01	
J-11	Flat Spring	1	147713-0-01	
J-12	Screw	1	009679-3-12	
J-13	Stop Ring	1	048030-3-42	
J-14	Adjusting Screw	1	146759-0-01	
J-15	Edge Hemming Ruler Fitting Holder	1	147712-0-01	
J-16	Screw	1	009680-7-12	
J-17	Supporter for Edge Hemming Ruler Fitting	2	146760-0-01	
J-18	Screw	1	009670-6-12	
J-19	Lavel			

Ref. No.	Name of Parts	Q'ty	Parts No.	Assembly No.
J'- 1	Screw	1	100080-0-04	148311-0-01
J'- 2	Washer	1	025030-1-32	
J'- 3	Screw	1	100105-0-05	
J'- 4	Presser Foot Hinge Spring	1	146887-0-01	
J'- 5	Presser Foot Stitch Tongue	1	148313-0-01	148311-0-01
J'- 6	Screw	1	009639-3-12	
J'- 7	Presser Foot (Rear)	1	146889-0-01	148311-0-01
J'- 8	Presser Foot (Front)	1	146888-0-01	
J'- 9	Presser Foot	1		148311-0-01
J'-10	Needle Plate	1		
J'-11	Tongue Plate	1	148354-0-01	148311-0-01
J'-12	Screw	1	148355-0-01	
J'-13	Lavel	1		148311-0-01
J'-14	Screw Driver 2.3×40	1	148925-0-01	

★All other parts except above-mentioned parts are the same as those for 001-○.

★All other parts except above-mentioned parts are the same as those for 001-○.

K. 008—○ (Ruffling)

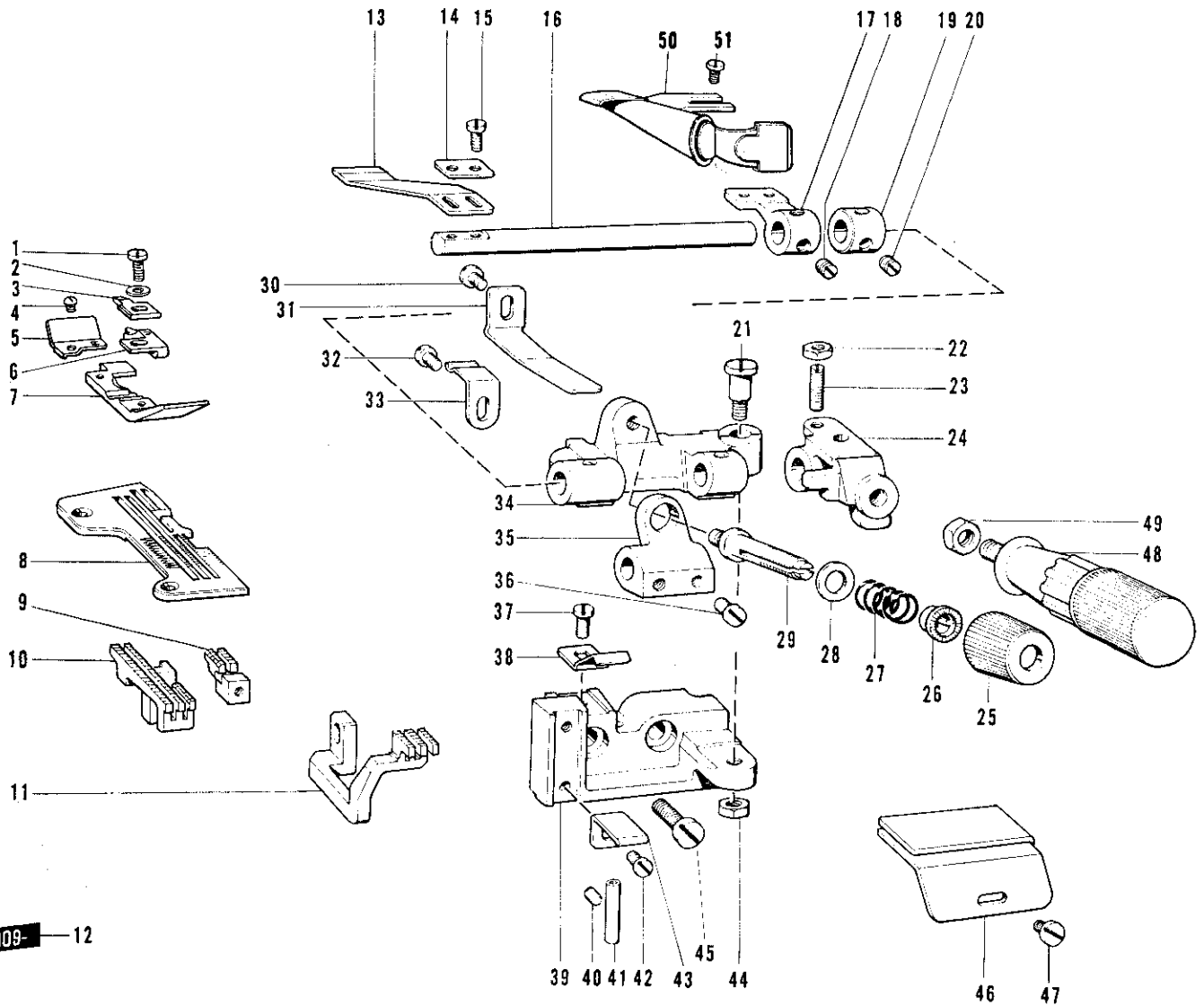


008-12

Ref. No.	Name of Parts	Q'ty	Parts No.	Assembly No.	Ref. No.	Name of Parts	Q'ty	Parts No.	Assembly No.
K-1	Screw	1	100080-0-04	144811-0-01	K-26	Washer	1	144105-0-00	146587-0-01
K-2	Washer	1	025030-1-32		K-27	Spring	1	144788-0-01	
K-3	Presser Foot Plate	1	144091-0-01		K-28	Washer	1	025770-2-32	
K-4	Screw	1	100105-0-05		K-29	Looper Thread Tension Control Stud	1	110820-0-01	
K-5	Presser Foot Chain Shield	1	144100-0-01		K-30	Screw	1	009680-6-12	
K-6	Presser Foot Stitch Tongue(U)	1	144813-0-01		K-31	Spring	1	145811-0-01	
K-7	Presser Foot (U)	1			K-32	Screw	1	001670-5-12	
K-8	Needle Plate	1			K-33	Spring	1	144764-0-01	
K-9	Chain Feed Dog	1	148189-0-01		K-34	Bracket for Ruffling Blade	1		
K-10	Main Feed Dog	1	148188-0-01		K-35	Spring Base	1		
K-11	Differential Feed Dog	1	146751-0-01		K-36	Screw	2	105163-0-01	
K-12	Lavel	1		K-37	Screw	1	009680-6-12		
K-13	Ruffling Blade	1	144783-0-01	K-38	Spring	1	145808-0-01		
K-14	Washer	1	144784-0-01	K-39	Ruffler Base	1			
K-15	Screw	2	009660-7-12	K-40	Ruffling Blade Guide	2	145807-0-01		
K-16	Ruffling Blade Base Shaft	1	145803-0-01	K-41	Screw	2	009680-8-12		
K-17	Wrapper Base	1		K-42	Screw	1	013679-4-12		
K-18	Screw	2	101706-0-01	K-43	Thread Guide Pipe	1	146592-0-01		
K-19	Set Collar	1		K-44	Nut	1	021760-3-03		
K-20	Screw	2	101706-0-01	K-45	Screw	2	009781-8-12		
K-21	Screw	1	147933-0-01	K-46	Ruffler Guide	1	144793-0-00		
K-22	Nut	1	105234-0-03	K-47	Screw	1	112751-0-02		
K-23	Screw	1	110230-0-01	K-48	Handle	1	145809-0-01		
K-24	Handle Fixing Plate	1		K-49	Nut	1	021780-3-03		
K-25	Thread Tension Adjusting Nut	1	144106-0-02						

★All other parts except above-mentioned parts are the same as those for 001—○.

L. 009—○ (Ruffling (W/Piping))



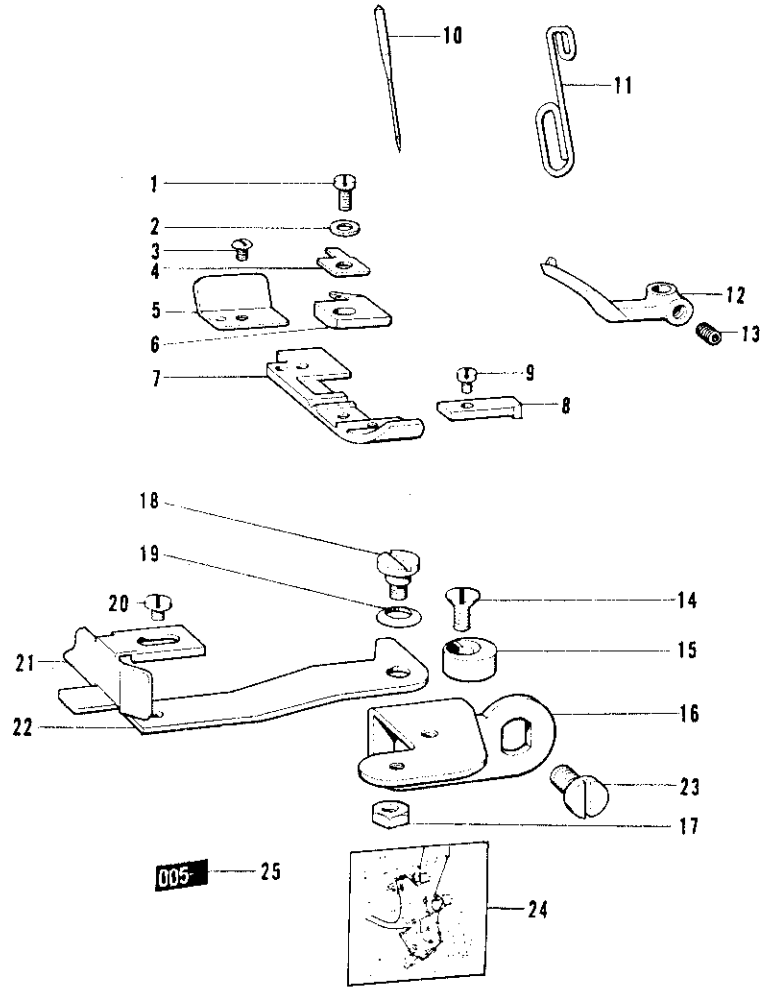
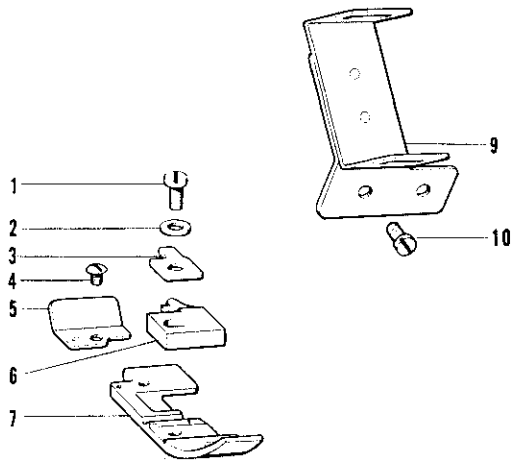
009-12

Ref. No.	Name of Parts	Q'ty	Parts No.	Assembly No.	Ref. No.	Name of Parts	Q'ty	Parts No.	Assembly No.
L-1	Screw	1	100080-0-04	147433-0-01	L-27	Spring	1	144788-0-01	146587-0-01
L-2	Washer	1	025030-1-32		L-28	Washer 6.3	1	025770-2-32	
L-3	Presser Foot Plate	1	144091-0-01		L-29	Looper Thread Tension Control Stud	1	110820-0-01	
L-4	Screw	1	100105-0-05		L-30	Screw	1	009680-6-12	
L-5	Presser Foot Chain Shield	1	144100-0-01		L-31	Spring	1	145811-0-01	
L-6	Presser Foot Stitch Tongue(U)	1	144813-0-01		L-32	Screw	1	001670-5-12	
L-7	Presser Foot	1			L-33	Spring	1	144764-0-01	
L-8	Needle Plate	1			L-34	Bracket for Ruffling Blade	1		
L-9	Chain Feed Dog	1	148753-0-01		L-35	Spring Base	1		
L-10	Main Feed Dog	1	148754-0-01		L-36	Screw	2	105163-0-01	
L-11	Differential Feed Dog	1	146751-0-01		L-37	Screw	1	009680-6-12	
L-12	Lavel	1		L-38	Spring	1	145808-0-01		
L-13	Ruffling Brade	1	144783-0-01	L-39	Ruffler Base	1			
L-14	Washer	1	144784-0-01	L-42	Screw	2	009680-8-12		
L-15	Screw	2	009660-7-12	L-43	Ruffling Blade Guide	2	145807-0-01		
L-16	Ruffling Blade Base Shaft	1	145803-0-01	L-40	Screw	1	013679-4-12		
L-17	Wrapper Base	1		L-41	Thread Guide Pipe	1	146592-0-01		
L-18	Screw	2	101706-0-01	L-44	Nut	1	021760-3-03		
L-19	Set Collar	1		L-45	Screw	2	009781-8-12		
L-20	Screw	2	101706-0-01	L-46	Ruffler Guide	1	144793-0-00		
L-21	Screw	1	147933-0-01	L-47	Screw	1	112751-0-02		
L-22	Nut	1	105234-0-03	L-48	Handle	1	145809-0-01		
L-23	Screw	1	110230-0-01	L-49	Nut	1	021780-3-03		
L-24	Handle Fixing Plate	1		L-50	Wrapper Assembly	1	147440-0-00		
L-25	Thread Tension Adjusting Nut	1	144106-0-02	L-51	Screw	1	009680-6-12		
L-26	Washer	1	144105-0-00						

★All other parts except above-mentioned parts are the same as those for 001—○.

M. 010—○ (Thin, Medium Taping)

M. 005—○ (Serging)



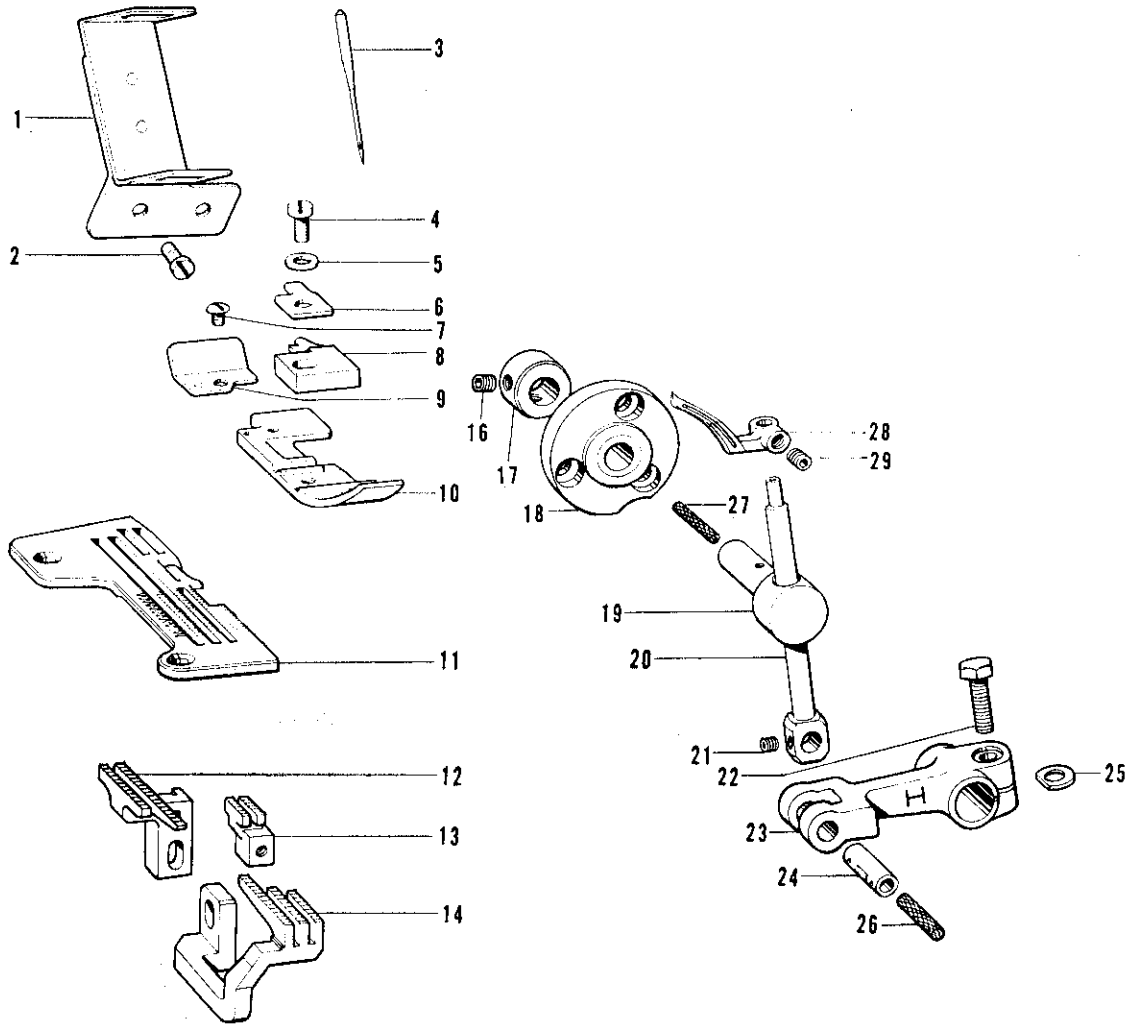
Ref. No.	Name of Parts	Q'ty	Parts No.	Assembly No.
M-1	Screw	1	100080-0-04	146895-0-01
M-2	Washer	1	025030-1-32	
M-3	Presser Foot Hinge Spring	1	146887-0-01	
M-4	Screw	1	100105-0-05	
M-5	Presser Foot (Rear)	1	145774-0-01	
M-6	Presser Foot Stitch Tongue	1	146897-0-01	
M-7	Presser Foot	1		
M-8	Level	1		
M-9	Tape Guide	1	146883-0-01	
M-10	Screw	2	009669-4-12	

★All other parts except above-mentioned parts are the same as those for 001—○.

Ref. No.	Name of Parts	Q'ty	Parts No.	Assembly No.
M'-1	Screw	1	100080-0-04	146893-0-01
M'-2	Washer	1	025030-1-32	
M'-3	Screw	1	100105-0-05	
M'-4	Presser Foot Hinge Spring	1	146887-0-01	
M'-5	Presser Foot (Rear)	1	146889-0-01	
M'-6	Presser Foot Stitch Tongue	1	146894-0-01	
M'-7	Presser Foot	1		
M'-8	Presser Foot (Front)	1	146888-0-01	
M'-9	Screw	1	009639-3-12	
M'-10	Needle DC×1	1	112297-0-14	
M'-11	Needle Thread Take-up	1	142201-0-01	147935-0-01
M'-12	Over Spreader	1		
M'-13	Screw	1	014680-4-22	146761-0-01
M'-14	Screw	1	005710-8-12	
M'-15	Presser Arm Stopper	1	144088-0-01	
M'-16	Edge Hemming Ruller Supportor	1	146599-0-01	
M'-17	Nut	1	021680-2-02	
M'-18	Stud Screw	1	146597-0-01	
M'-19	Spring Washer	1	146598-0-01	
M'-20	Screw	1	009679-3-12	
M'-21	Edge Hemming Ruller	1	146762-0-01	
M'-22	Edge Hemming Ruller Set Plate	1	146596-0-01	
M'-23	Screw	2	110201-0-01	
M'-24	Threading Diagram	1	148092-0-01	
M'-25	Level	1		

★All other parts except above-mentioned parts are the same as those for 001—○.

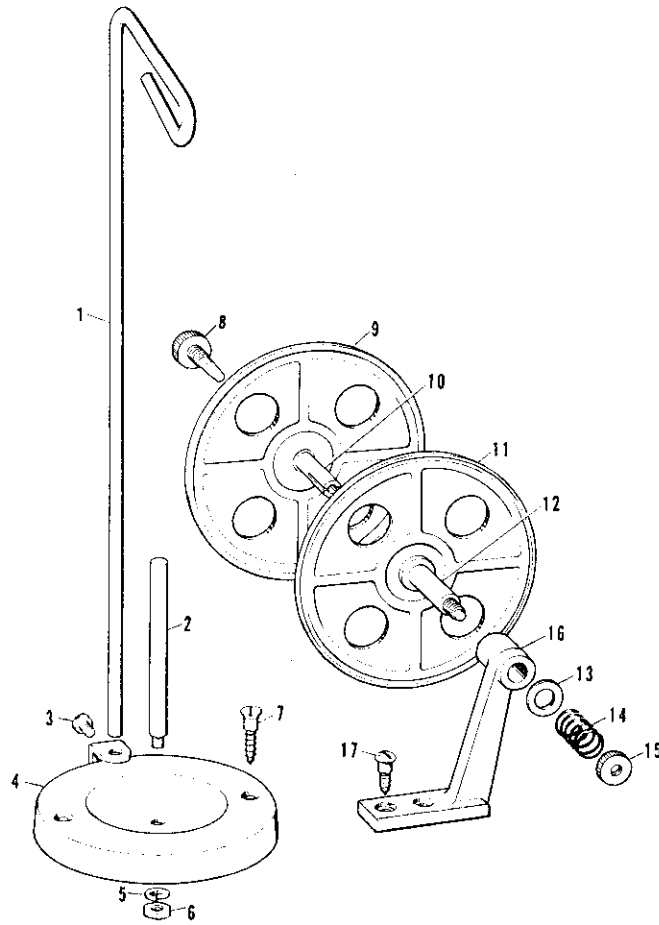
N. 011-○ (Bulky, Medium Taping)



Ref. No.	Name of Parts	Qty	Parts No.	Assembly No.	Ref. No.	Name of Parts	Qty	Parts No.	Assembly No.
N-1	Tape Guide	1	146883-0-01		N-16	Screw	2	014680-4-22	
N-2	Screw	2	009669-4-12		N-17	Set Collar	1		
N-3	Needle DC×1	1	112297-0-14		N-18	Over Looper Holder Guide Base	1		
N-4	Screw	1	100080-0-04		N-19	Over Looper Holder Guide Base	1		
N-5	Washer	1	025030-1-32		N-20	Over Looper Holder	1		
N-6	Presser Foot Hinge Spring	1	146887-0-01		N-21	Screw	1	146427-0-01	148217-0-01
N-7	Screw	1	100105-0-05	146895-0-01	N-22	Bolt	1	017761-6-12	
N-8	Presser Foot Stich Tongue	1	146900-0-01		N-23	Over Looper Driving Lever	1		
N-9	Presser Foot (Rear)	1	145774-0-01		N-24	Over Looper Holding Shaft	1		
N-10	Presser Foot	1			N-25	Spacer	1	148783-0-01	
N-11	Needle Plate	1			N-26	Wick	1	108809-0-01	
N-12	Main Feed Dog	1	148187-0-01		N-27	Wick	1	148249-0-00	
N-13	Chain Feed Dog	1	148189-0-01		N-28	Over Looper	1		
N-14	Differential Feed Dog	1	146750-0-01		N-29	Screw	1	014680-4-22	147937-0-01
N-15	Lavel	1							

★ All other parts except above-mentioned parts are the same as those for 001-○.

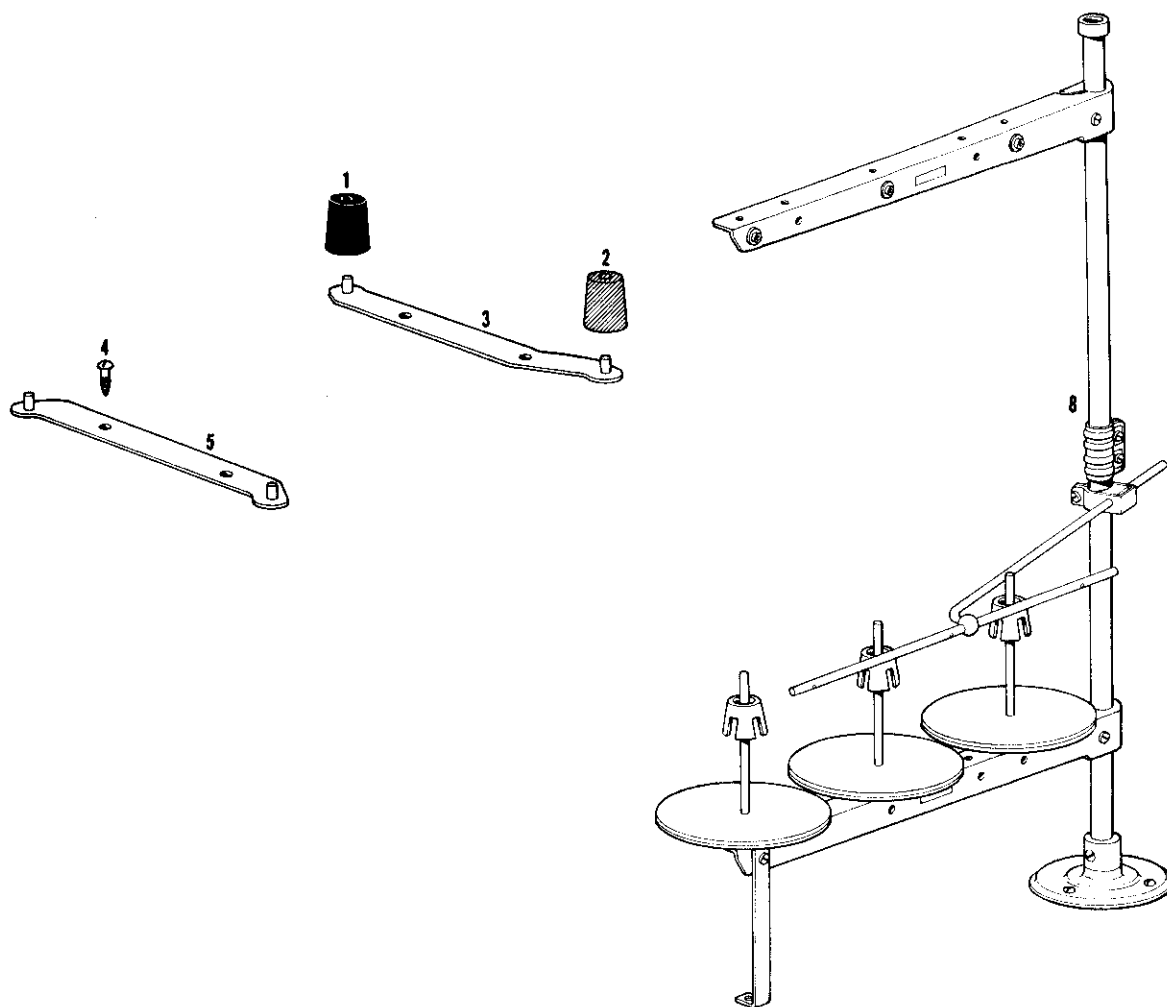
P. Cord Guide



Ref. No.	Name of Parts	Q'ty	Parts No.	Assembly No.
P- 1	Thread Guide	1	109853-0-01	109854-0-01
P- 2	Spool Pin	1	100444-0-02	
P- 3	Screw	1	100080-0-02	
P- 4	Spool Stand Base	1	109852-0-01	
P- 5	Washer	1	028050-2-42	
P- 6	Nut	1	110161-0-03	
P- 7	Screw	2	100447-0-01	181031-0-01
P- 8	Screw	1	143980-0-01	143978-0-01
P- 9	Tape Winder Wheel (L)	1		
P-10	Tape Winder Shaft (L)	1		
P-11	Tape Winder Wheel (R)	1		143976-0-01
P-12	Tape Winder Shaft (R)	1		
P-13	Washer	1	108494-0-01	143767-0-02
P-14	Spring	1	108495-0-01	
P-15	Nut	1	100136-0-01	
P-16	Tape Winder Bracket	1	143750-0-02	
P-17	Screw	2	101118-0-01	

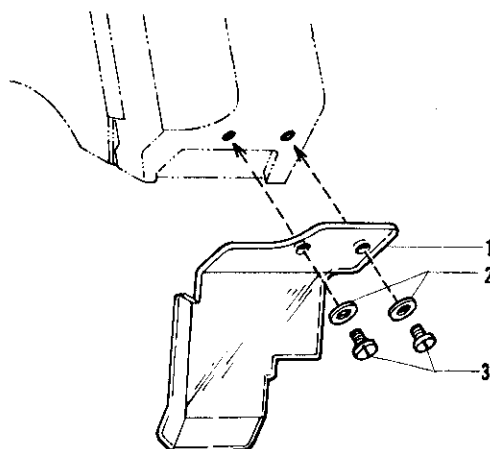
★Above-mentioned parts are accessory parts for B561-009-○·B571-037-○ Piping Ruffler.

Z. Machine Head Plate and Spool Stand



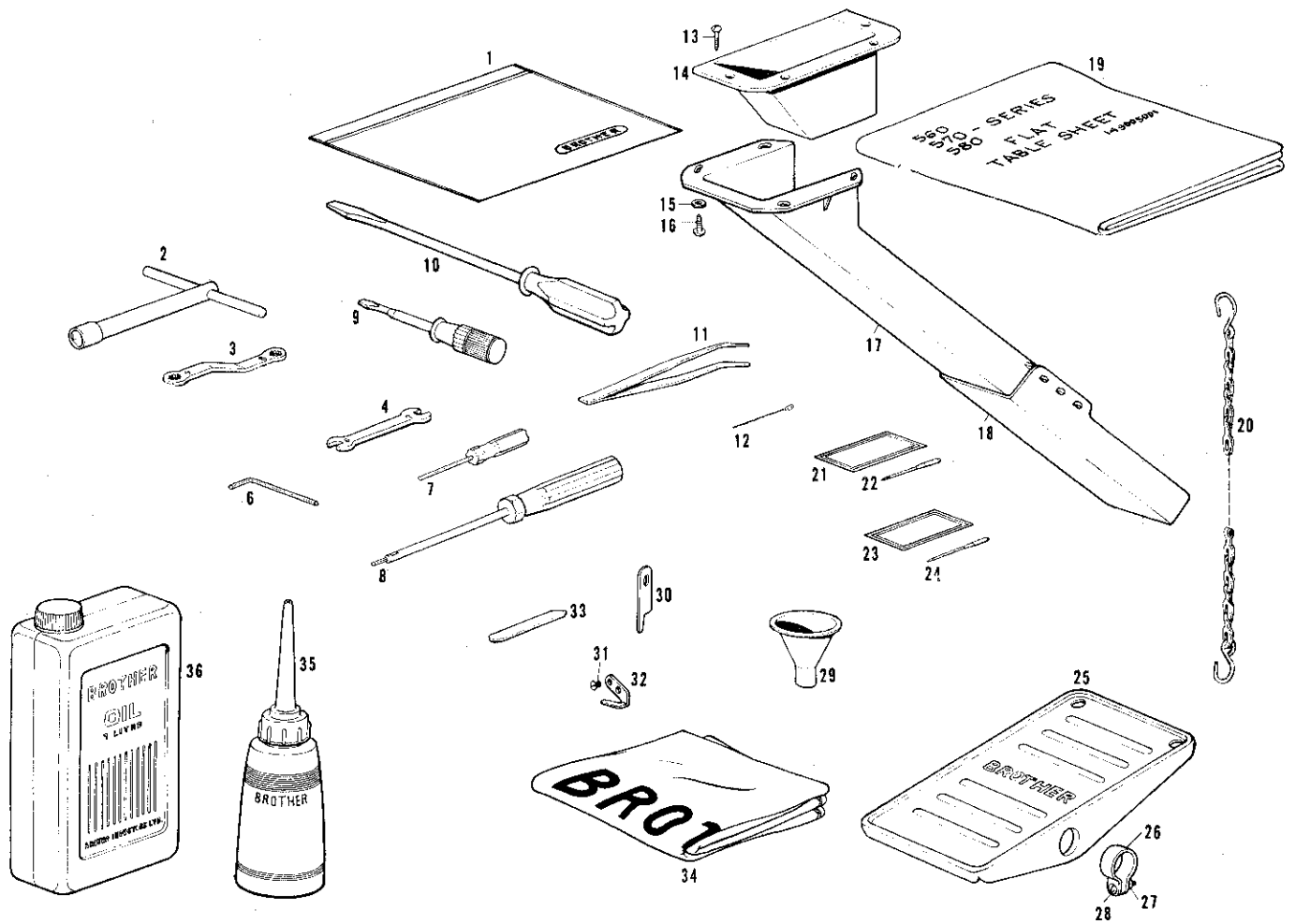
Ref. No.	Name of Parts	Qty	Parts No.	Assembly No.
Z-1	Rubber Cushion	1	147919-0-01	
Z-2	Rubber cushion	3	147919-0-02	
Z-3	Cushion Base (Right)	1	148290-0-01	
Z-4	Screw	4	034151-6-03	
Z-5	Cushion Base (Left)	1	148292-0-01	
Z-8	Cotton Stand Assembly	1	150160-0-01	

Z'. Accessories



Ref. No.	Name of Parts	Qty	Parts No.	Assembly No.
Z'-1	Eye Guard	1		
Z'-2	Washer	2	025030-2-32	151017-0-01
Z'-3	Screw	2	009660-5-12	

Y. Accessories



Ref. No.	Name of Parts	Q'ty	Parts No.	Assembly No.	Ref. No.	Name of Parts	Q'ty	Parts No.	Assembly No.
Y-1	Vinyl Bag		122991-0-01		Y-18	Duster Shoot (S)		148432-0-01	
Y-2	Wrench		140342-0-01		Y-19	Table Sheet		149005-0-01	
Y-3	Wrench		105343-0-01		Y-20	Chain Assembly		142262-0-01	
Y-4	Spanner 6x7		107779-0-01		Y-21	Needle Bag			
Y-6	Spanner 3		142721-0-01		Y-22	Needle DCx1		112297	
Y-7	Screw Driver		144124-0-01		Y-25	Threadie Pedal		147893-0-01	
Y-8	Allen Driver Wrench		146700-0-01		Y-26	Pedal Stopper		116016-0-01	
Y-9	Screw Driver		118837-0-01		Y-27	Nut		021400-1-06	
Y-10	Screw Driver		101572-1-01		Y-28	Screw		001401-4-06	
Y-11	Tweezers		117466-0-00		Y-29	Funnel		140759-0-00	
Y-12	Threader		142125-0-00		Y-30	Upper Knife		148198-0-01	
Y-13	Screw		031311-3-02		Y-31	Screw		141542-0-01	
Y-14	Duster Drop		148430-0-01		Y-32	Trimming Knife		148259-0-01	
Y-15	Screw		025680-2-32		Y-33	Lower Knife		112436-0-01	
Y-16	Screw		009681-0-12		Y-34	Head Cover		144225-0-01	
Y-17	Duster Shoot (L)		148431-0-01		Y-35	Oiler		114483-0-01	
					Y-36	Oil Tank		145277-0-01	

* The details of included accessories are subject to change.

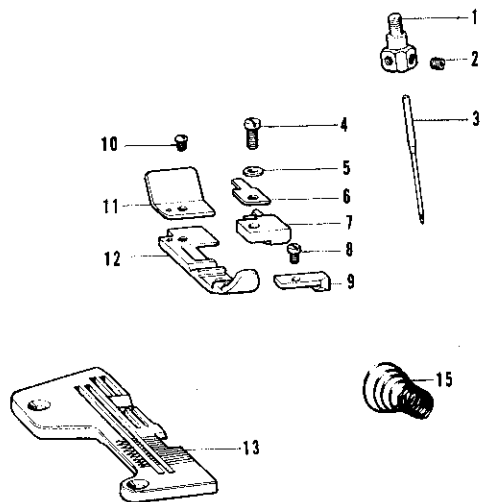
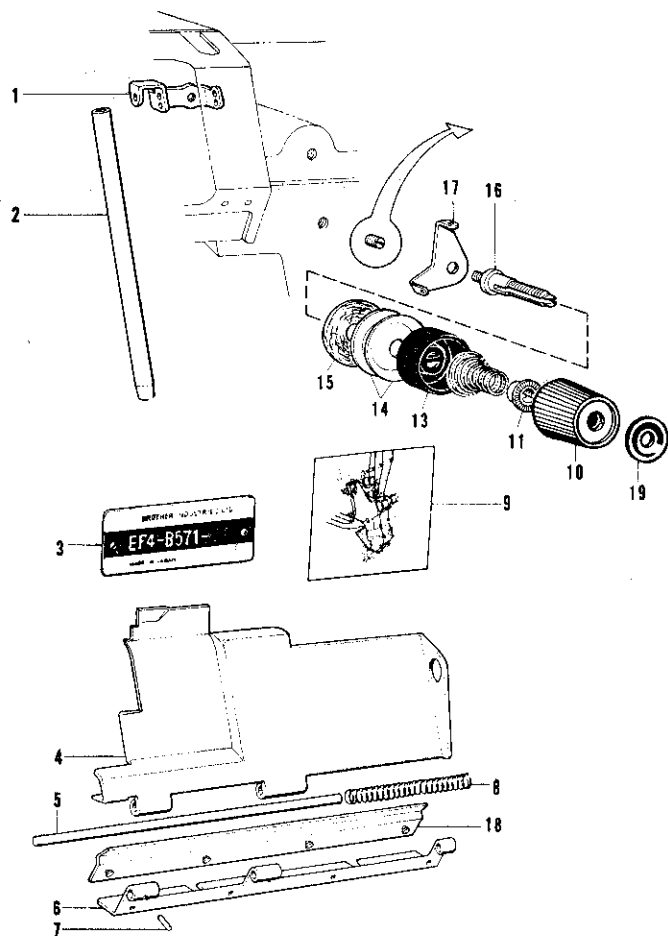
* Änderungen in der Aufstellung der mitgelieferten Zubehöre sind vorbehalten.

* Les détails des accessoires inclus sont sujets à des changements.

* Los detalles de los accesorios incluidos pueden variar.

a. Definite Parts for EF4-B571

b. 021—○ Needle Width 1.8mm (Thin)



021 — 14

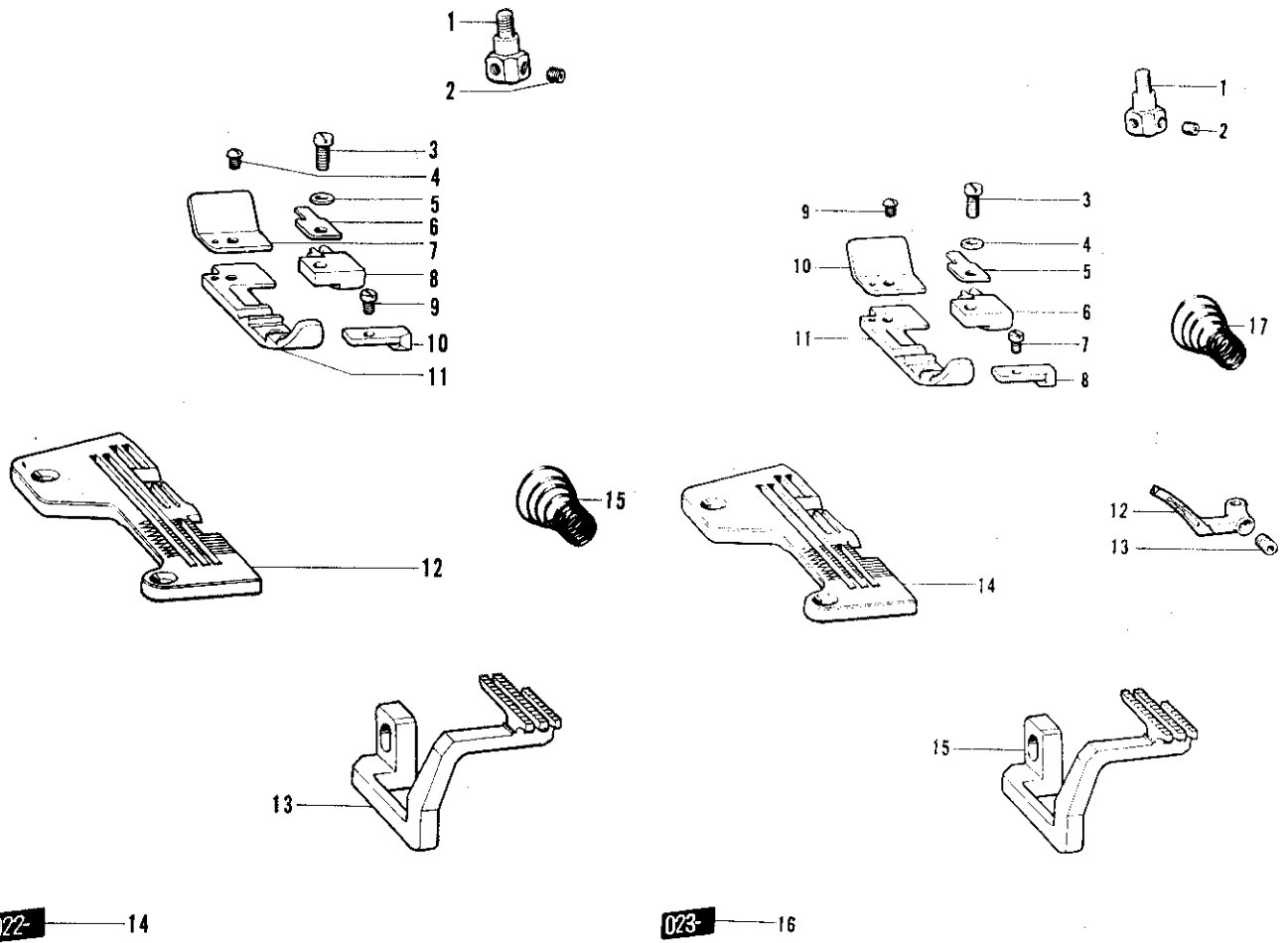
Ref. No.	Name of Parts	Q'ty	Parts No.	Assembly No.
a-1	Needle Thread Guide	1	146793-0-01	
a-2	Needle Bar	1	146483-0-01	
a-3	Model Plate B571	1		
a-4	Front Cover	1		
a-5	Front Cover Hinge Shaft	1	146441-0-01	
a-6	Front Cover Hinge	1	146440-0-01	148985-0-01
a-7	Pin	1	047140-8-42	
a-8	Spring	1	146442-0-01	
a-18	Hinge Cover	1	148984-0-01	
a-9	Threading Diagram	1	148098-0-01	
a-10	Thread Tension Adjusting Nut	1		149568-0-01
a-19	Color Plate	1	147049-0-01	
a-11	Washer	1	144105-0-00	
a-13	Tension Disc Washer	1	144103-0-02	
a-14	Tension Disc	2	145446-0-01	
a-15	Felt	1	110832-0-01	
a-16	Looper Thread Tension Control Stud	1	110820-0-01	
a-17	Needle Thread Guide Plate	1	110813-0-01	

Ref. No.	Name of Parts	Q'ty	Parts No.	Assembly No.
b-1	Needle Clamp 1.8	1		146771-0-01
b-2	Screw	2	146427-0-01	
b-3	Needle DC×3	2	147838-0-11	
b-4	Screw	1	100080-0-04	
b-5	Washer	1	025030-1-32	
b-6	Presser Foot Hinge Spring	1	146887-0-01	146963-0-01
b-7	Presser Foot Stitch Tongue	1	146964-0-01	
b-8	Screw	1	009639-3-12	
b-9	Presser Foot (Front)	1	146888-0-01	
b-10	Screw	1	100105-0-05	
b-11	Presser Foot (Rear)	1	146889-0-01	
b-12	Presser Foot	1		
b-13	Needle Plate	1		
b-14	Level	1		
b-15	Spring	1	144104-0-01	

★ a. Definite parts for B571 and the parts except above-mentioned parts are the same as 001—○(A~F).

c. 022—○ Needle Width 2.2mm
(Thin, Medium)

d. 023—○ Needle Width 2.2mm
(Thin, Medium)




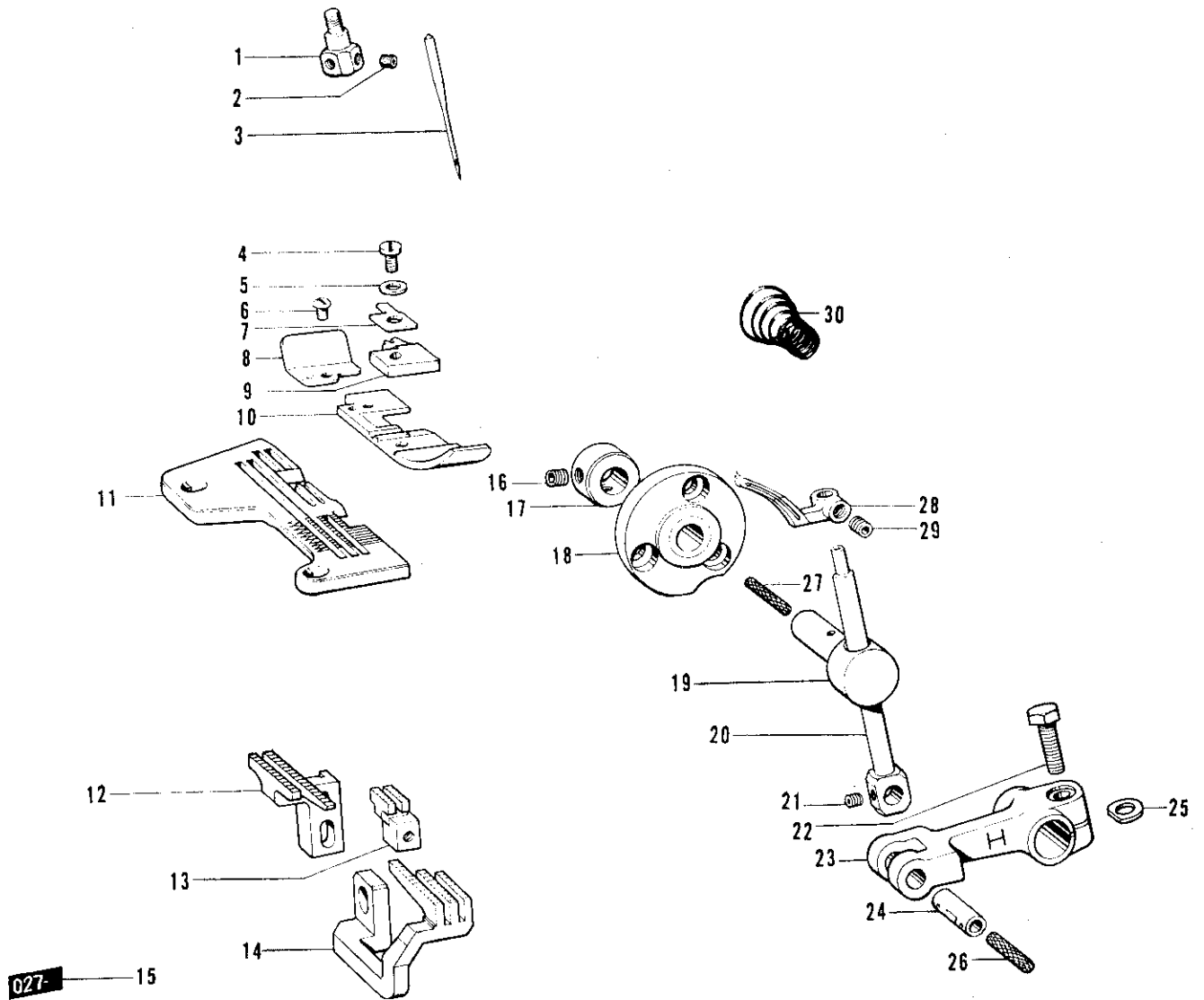
Ref. No.	Name of Parts	Q'ty	Parts No.	Assembly No.
c-1	Needle Clamp 2.2	1		146773-0-01
c-2	Screw	2	146427-0-01	
c-3	Screw	1	100080-0-04	146902-0-01
c-4	Screw	1	100105-0-05	
c-5	Washer	1	025030-1-32	
c-6	Presser Foot Hinge Spring	1	146887-0-01	
c-7	Presser Foot (Rear)	1	146889-0-01	
c-8	Presser Foot Stitch Tongue	1	146903-0-01	
c-9	Screw	1	009639-3-12	
c-10	Presser Foot (Front)	1	146888-0-01	
c-11	Presser Foot	1		
c-12	Needle Plate	1		
c-13	Differential Feed Dog	1	146749-0-01	
c-14	Level	1		
c-15	Spring	1	144104-0-01	

Ref. No.	Name of Parts	Q'ty	Parts No.	Assembly No.
d-1	Needle Clamp 2.2	1		146773-0-01
d-2	Screw	2	146427-0-01	
d-3	Screw	1	100080-0-04	146902-0-01
d-4	Washer	1	025030-1-32	
d-5	Presser Foot Hinge Spring	1	146887-0-01	
d-6	Presser Foot Stitch Tongue	1	146903-0-01	
d-7	Screw	1	009639-3-12	
d-8	Presser Foot (Front)	1	146888-0-01	
d-9	Screw	1	100105-0-05	
d-10	Presser Foot (Rear)	1	146889-0-01	
d-11	Presser Foot	1		
d-12	Over Looper	1		
d-13	Screw	1	014680-4-22	
d-14	Needle Plate	1		
d-15	Differential Feed Dog	1	146749-0-01	
d-16	Level	1		
d-17	Spring	1	144104-0-01	


★a. Definite parts for B571 and the parts except above-mentioned parts are the same as 001—○(A~F).

★a. Definite parts for B571 and the parts except above-mentioned parts are the same as 001—○(A~F).

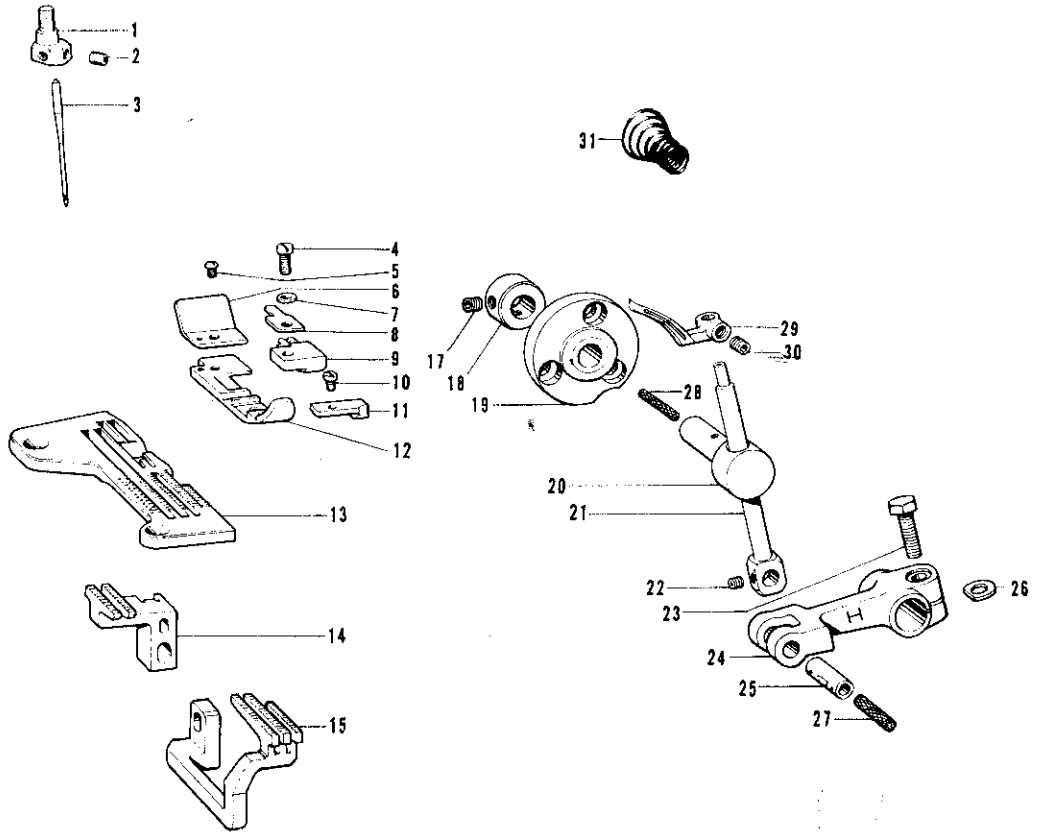
e. 027 —  Needle Width 2.2mm
(Bulky Knit)



Ref. No.	Name of Parts	Q'ty	Parts No.	Assembly No.	Ref. No.	Name of Parts	Q'ts	Parts No.	Assembly No.
e-1	Needle Clamp 2.2	1		146773-0-01	e-16	Screw	2	014680-4-22	148217-0-01
e-2	Screw	2	146427-0-01		e-17	Set Collar	1		
e-3	Needle DC×1	2	112297-0-14	e-18	Over Looper Holder Guide Base	1			
e-4	Screw	1	100080-0-04	e-19	Over Looper Holder Guide Block	1			
e-5	Washer	1	025030-1-32	e-20	Over Looper Holder	1			
e-6	Screw	1	100105-0-05	e-21	Screw	1	146427-0-01		
e-7	Presser Foot Hinge Spring	1	146887-0-01	e-22	Bolt	1	017761-6-12		
e-8	Presser Foot (Rear)	1	145774-0-01	e-23	Over Looper Driving Lever	1			
e-9	Presser Foot Stitch Tongue	1	146905-0-01	e-24	Over Looper Holding Shaft	1			
e-10	Presser Foot	1		e-25	Spacer	1	148783-0-01		
e-11	Needle Plate	1		e-26	Wick	1	108809-0-01	147937-0-01	
e-12	Main Feed Dog	1	148187-0-01	e-27	Wick	1	148249-0-00		
e-13	Chain Feed Dog	1	148189-0-01	e-28	Over Looper	1			
e-14	Differential Feed Dog	1	146750-0-01	e-29	Screw	1	014680-4-22		
e-15	Level	1		e-30	Spring	1	144104-0-01		

★a. Definite parts for B571 and the parts except above-mentioned parts are the same as 001 —  (A~F).

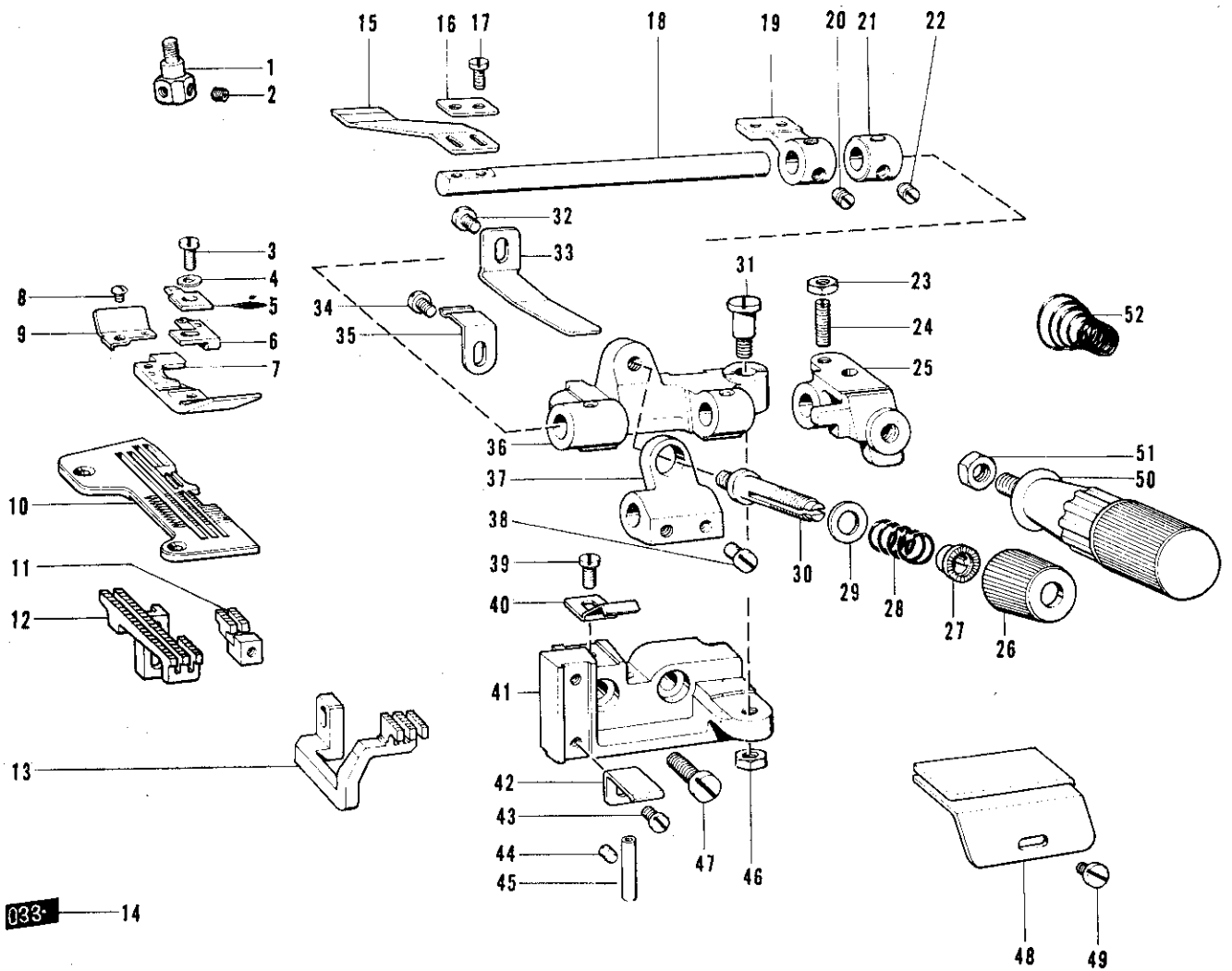
f. 031—○ Needle Width 3mm
(Extra Heavy)



Ref. No.	Name of Parts	Q'ty	Parts No.	Assembly No.	Ref. No.	Name of Parts	Q'ty	Parts No.	Assembly No.
f-1	Needle Clamp 3	1		146775-0-01	f-16	Lavel	1		
f-2	Screw	2	146427-0-01		f-17	Screw	2	014680-4-22	
f-3	Needle DC×1	2	112297-0-21		f-18	Set Collar	1		
f-4	Screw	1	100080-0-04		f-19	Over Looper Holder Guide Base	1		
f-5	Screw	1	100105-0-05		f-20	Over Looper Holder Guide Block	1		
f-6	Presser Foot (Rear)	1	146889-0-01		f-21	Over Looper Holder	1		
f-7	Washer	1	025030-1-32		f-22	Screw	1	146427-0-01	148217-0-01
f-8	Presser Foot Hinge Spring	1	146887-0-01	146965-0-01	f-23	Bolt	1	017761-6-12	
f-9	Presser Foot Stitch Tongue	1	146966-0-01			f-24	Over Looper Driving Lever	1	
f-10	Screw	1	009639-3-12		f-25	Over Looper Holding Shaft	1		
f-11	Presser Foot	1	146888-0-01		f-26	Spacer	1	148783-0-01	
f-12	Presser Foot	1			f-27	Wick	1	108809-0-01	
f-13	Needle Plate	1			f-28	Wick	1	148249-0-00	
f-14	Main Feed Dog	1	146790-0-01		f-29	Over Looper	1		147937-0-01
f-15	Differential Feed Dog	1	146791-0-01		f-30	Screw	1	014680-4-22	
					f-31	Spring	2	148851-0-01	


★a. Definite parts for B571 and the parts except above-mentioned parts are the same as 001—○(A~F).

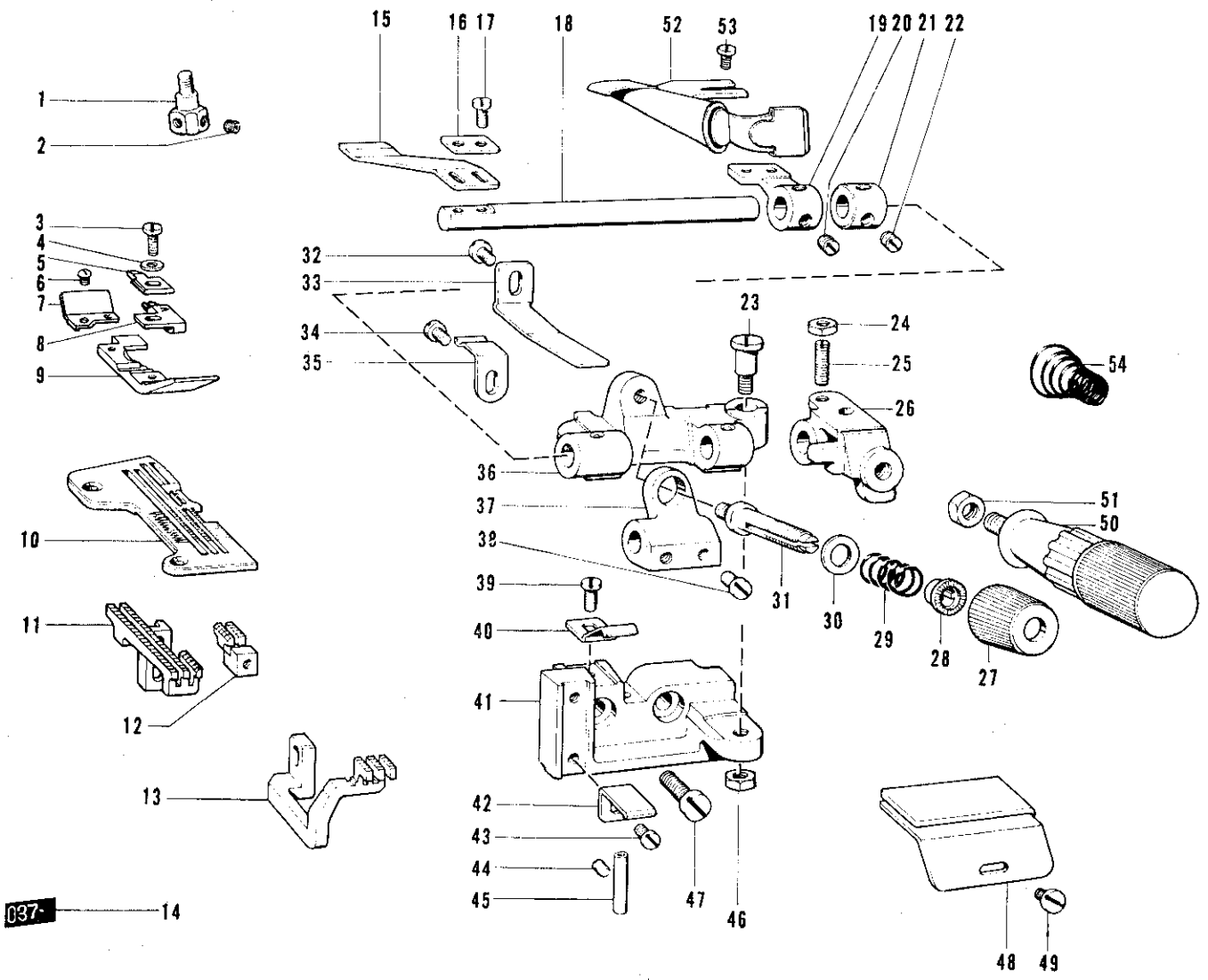
g. 033—○ Needle Width 2.2mm (Ruffling)



Ref. No.	Name of Parts	Q'ty	Parts No.	Assembly No.	Ref. No.	Name of Parts	Q'ty	Parts No.	Assembly No.
g-1	Needle Clamp 2.2	1		146773-0-01	g-27	Washer	1	144105-0-00	146587-0-01
g-2	Screw	2	146427-0-01		g-28	Spring	1	144788-0-01	
g-3	Screw	1	100080-0-04	144815-0-01	g-29	Washer	1	025770-2-32	
g-4	Washer	1	025030-1-32		g-30	Looper Thread Tension Control Stud	1	110820-0-01	
g-5	Presser Foot Plate	1	144091-0-01		g-31	Screw	1	147933-0-01	
g-6	Presser Foot Stitch Tongue (U)	1	144816-0-01		g-32	Screw	1	009680-6-12	
g-7	Presser Foot (U)	1			g-33	Spring	1	145811-0-01	
g-8	Screw	1	100105-0-05		g-34	Screw	1	001670-5-12	
g-9	Presser Foot Chain Shield	1	144100-0-01		g-35	Spring	1	144764-0-01	
g-10	Needle Plate	1			g-36	Bracket for Ruffling Blade	1	146588-0-01	
g-11	Chain Feed Dog	1	148189-0-01		g-37	Spring Base	1		
g-12	Main Feed Dog	1	148188-0-01		g-38	Screw	2	105163-0-01	
g-13	Differential Feed Dog	1	146751-0-01	g-39	Screw	1	009680-6-12		
g-14	Lavel	1		g-40	Spring	1	145808-0-01		
g-15	Ruffling Blade	1	144783-0-01	g-41	Ruffler Base	1			
g-16	Washer	1	144784-0-01	g-42	Ruffling Blade Guide	2	145807-0-01		
g-17	Screw	2	009660-7-12	g-43	Screw	2	009680-8-12		
g-18	Ruffling Blade Base Shaft	1	145803-0-01	g-44	Screw	1	013679-4-12		
g-19	Wrapper Base	1		g-45	Thread Guide Pipe	1	146592-0-01		
g-20	Screw	2	101706-0-01	g-46	Nut	1	021760-3-03		
g-21	Set Collar	1		g-47	Screw	2	009781-8-12		
g-22	Screw	2	101706-0-01	g-48	Ruffler Guide	1	144793-0-00		
g-23	Nut	1	105234-0-03	g-49	Screw	1	112751-0-02		
g-24	Screw	1	110230-0-01	g-50	Handle	1	145809-0-01		
g-25	Handle Fixing Plate	1		g-51	Nut	1	021780-3-03		
g-26	Thread Tension Adjusting Nut	1	144106-0-02	g-52	Spring	1	144104-0-01		

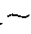
★a. Definite parts for B571 and the parts except above-mentioned parts are the same as 001 —○(A~F).

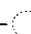
h. 037 —  Needle Width 2.2mm
(Ruffling (W/Piping)).

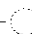


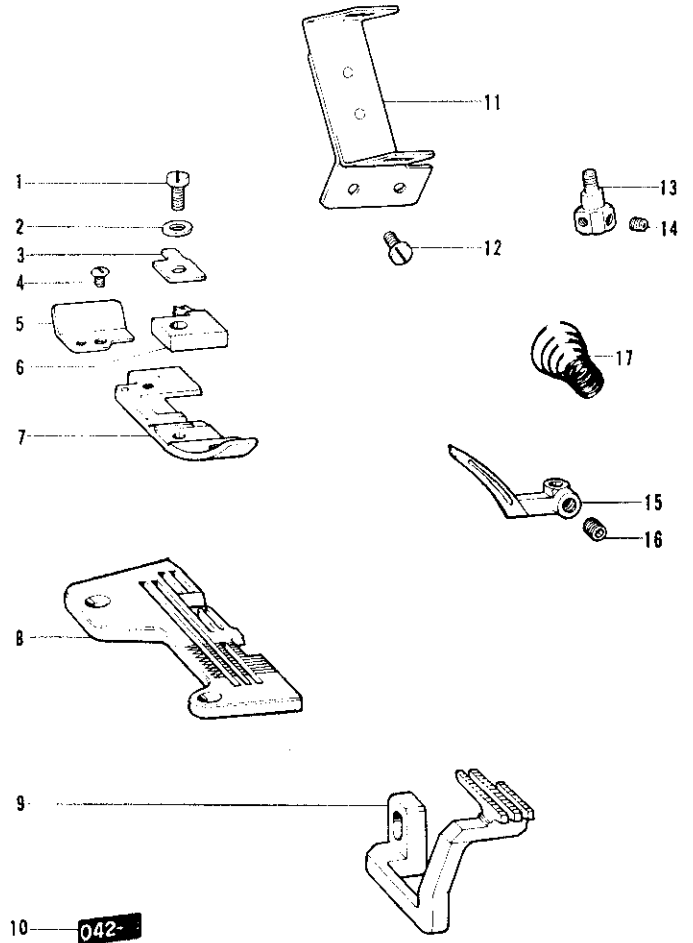
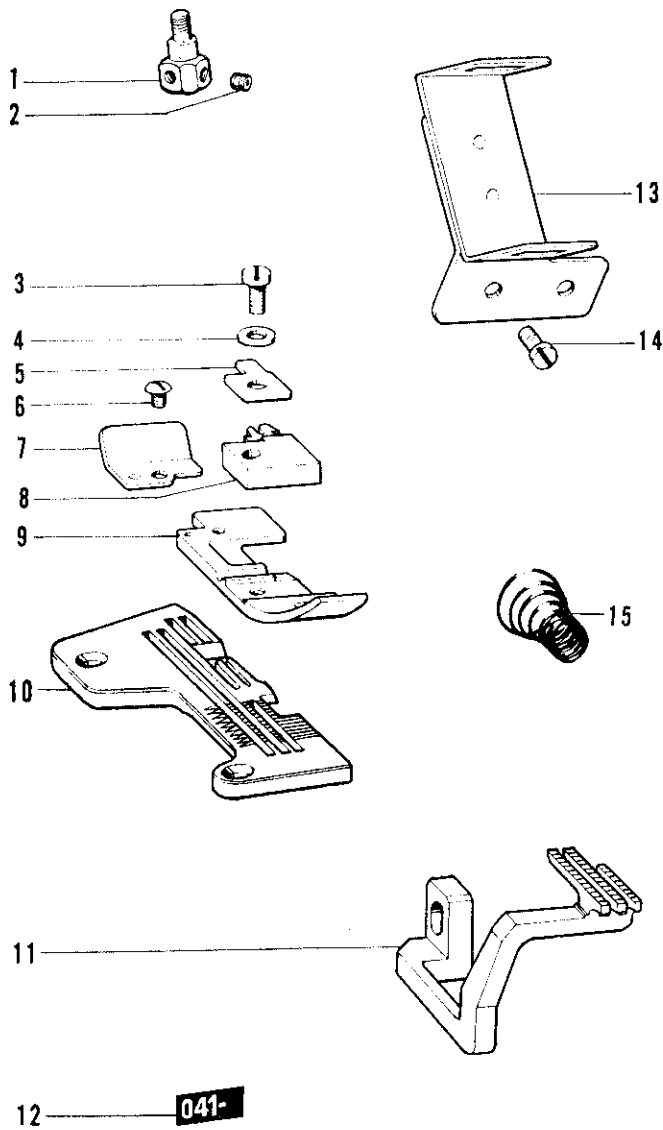
037

Ref. No.	Name of Parts	Q'ty	Parts No.	Assembly No.	Ref. No.	Name of Parts	Q'ty	Parts No.	Assembly No.
h-1	Needle Clamp 2.2	1		146773-0-01	h-28	Washer	1	144105-0-00	
h-2	Screw	2	146427-0-01		h-29	Spring	1	144788-0-01	
h-3	Screw	1	100080-0-04		h-30	Washer 6.35	1	025770-2-32	
h-4	Washer	1	025030-1-32		h-31	Looper Thread Tension Control Stud	1	110820-0-01	
h-5	Presser Foot Plate	1	144091-0-01	147439-0-01	h-32	Screw	1	009680-6-12	
h-6	Screw	1	100105-0-05		h-33	Spring	1	145811-0-01	
h-7	Presser Foot Chain Shield	1	144100-0-01		h-34	Screw	1	001670-5-12	
h-8	Presser Foot Stitch Tongue (V)	1	144816-0-01		h-35	Spring	1	144764-0-01	
h-9	Presser Foot	1			h-36	Bracket for Ruffling Blade	1	146588-0-01	
h-10	Needle Plate	1			h-37	Spring Base	1		146587-0-01
h-11	Main Feed Dog	1	148754-0-01		h-38	Screw	2	105163-0-01	
h-12	Chain Feed Dog	1	148753-0-01		h-39	Screw	1	009680-6-12	
h-13	Differential Feed Dog	1	146751-0-01		h-40	Spring	1	145808-0-01	
h-14	Lavel	1			h-41	Ruffler Base	1		
h-15	Ruffling Blade	1	144783-0-01		h-42	Ruffling Blade Guide	2	145807-0-01	
h-16	Washer	1	144784-0-01		h-43	Screw	2	009680-8-12	
h-17	Screw	2	009660-7-12		h-44	Screw	1	013679-4-12	
h-18	Ruffling Blade Base Shaft	1	145803-0-01		h-45	Thread Guide Pipe	1	146592-0-01	
h-19	Wrapper Base	1			h-46	Nut	1	021760-3-03	
h-20	Screw	2	101706-0-01		h-47	Screw	2	009781-8-12	
h-21	Set Collar	1		181995-0-02	h-48	Ruffer Guide	1	144793-0-00	
h-22	Screw	2	101706-0-01		h-49	Screw	1	112751-0-02	
h-23	Screw	1	147933-0-01		h-50	Handle	1	145809-0-01	
h-24	Nut	1	105234-0-03	146587-0-01	h-51	Nut	1	021780-3-03	
h-25	Screw	1	110230-0-01		h-52	Wrapper	1	147440-0-00	
h-26	Handle Fixing Plate	1			h-53	Screw	2	009680-6-12	
h-27	Thread Tension Adjusting Nut	1	144106-0-02		h-54	Spring	1	144104-0-01	

★a. Definite parts for B571 and the parts except above-mentioned parts are the same as 001 —  (A~F).


j. 041 —  Needle Width 2.2mm
(Thin, Medium Taping)

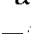
j'. 042 —  Needle Width 2.2mm
(Thin, Medium Taping)

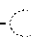


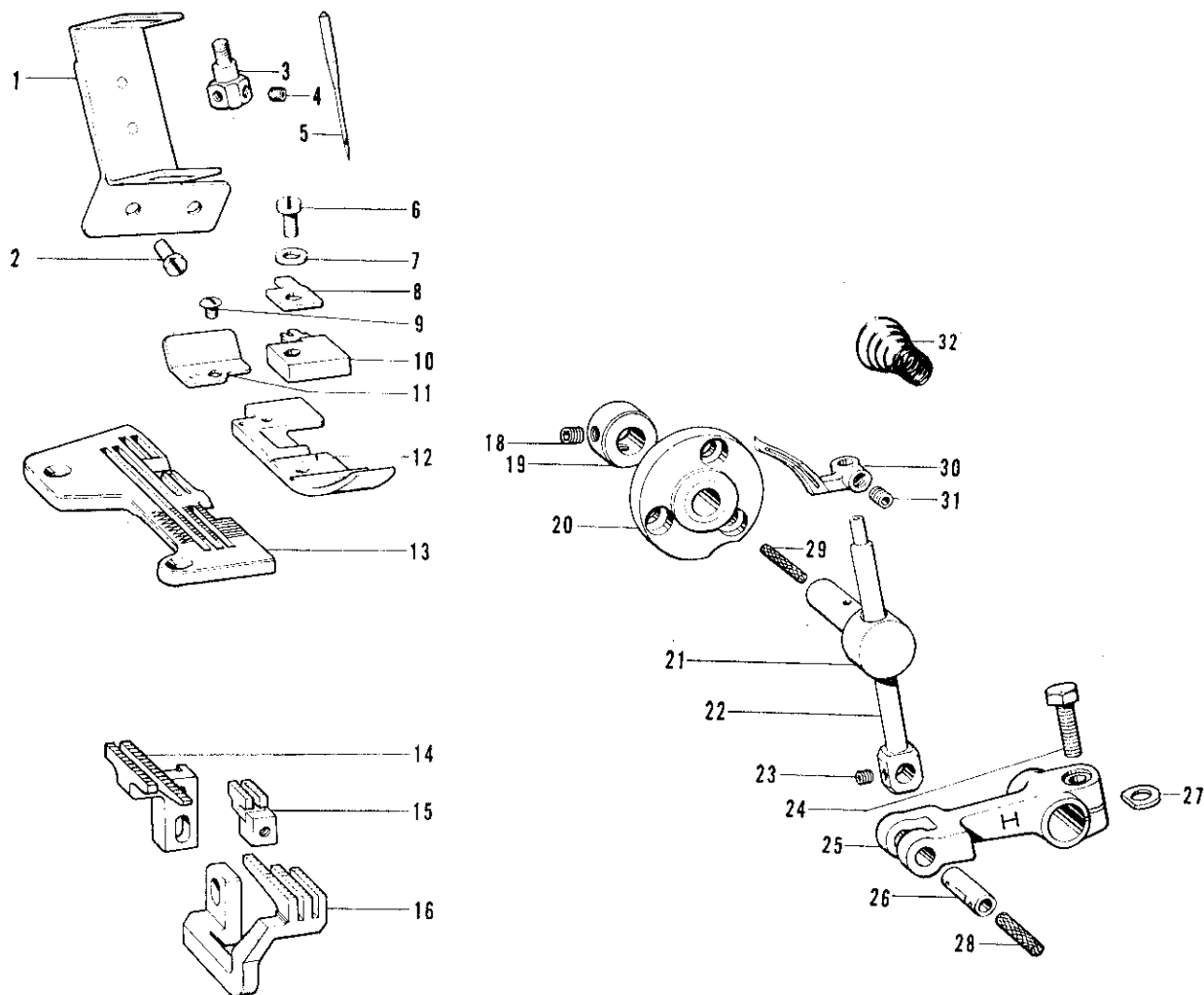
Ref. No.	Name of Parts	Q'ty	Parts No.	Assembly No.
j-1	Needle Clamp 2.2	1		146773-0-01
j-2	Screw	2	146427-0-01	
j-3	Screw	1	100080-0-04	
j-4	Washer	1	025030-1-32	
j-5	Presser Foot Hinge Spring	1	146887-0-01	
j-6	Screw	1	100105-0-05	
j-7	Presser Foot (Rear)	1	145774-0-01	
j-8	Presser Foot Stitch Tongue	1	146907-0-01	
j-9	Presser Foot	1		
j-10	Needle Plate	1		
j-11	Differential Feed Dog	1	146749-0-01	
j-12	Level	1		
j-13	Tape Guide	1	146883-0-01	
j-14	Screw	2	009669-4-12	
j-15	Spring	1	144104-0-01	

Ref. No.	Name of Parts	Q'ty	Parts No.	Assembly No.
j'-1	Screw	1	100080-0-04	146906-0-01
j'-2	Washer	1	025030-1-32	
j'-3	Presser Foot Hinge Spring	1	146887-0-01	
j'-4	Screw	1	100105-0-05	
j'-5	Presser Foot (Rear)	1	145774-0-01	
j'-6	Presser Foot Stitch Tongue	1	146907-0-01	
j'-7	Presser Foot	1		
j'-8	Needle Plate	1		
j'-9	Differential Feed Dog	1	146749-0-01	
j'-10	Level	1		
j'-11	Tape Guide	1	146883-0-01	
j'-12	Screw	2	009669-4-12	
j'-13	Needle Clamp 2.2	1		
j'-14	Screw	2	146427-0-01	
j'-15	Over Looper	1		
j'-16	Screw	1	014680-4-22	
j'-17	Spring	1	144104-0-01	

★a. Definite parts for B571 and the parts except above-mentioned parts are the same as 001 —  (A~F).


★a. Definite parts for B571 and the parts except above-mentioned parts are the same as 001 —  (A~F).

k. 045 —  Needle Width 2.2mm
(Bulky Knit Taping)

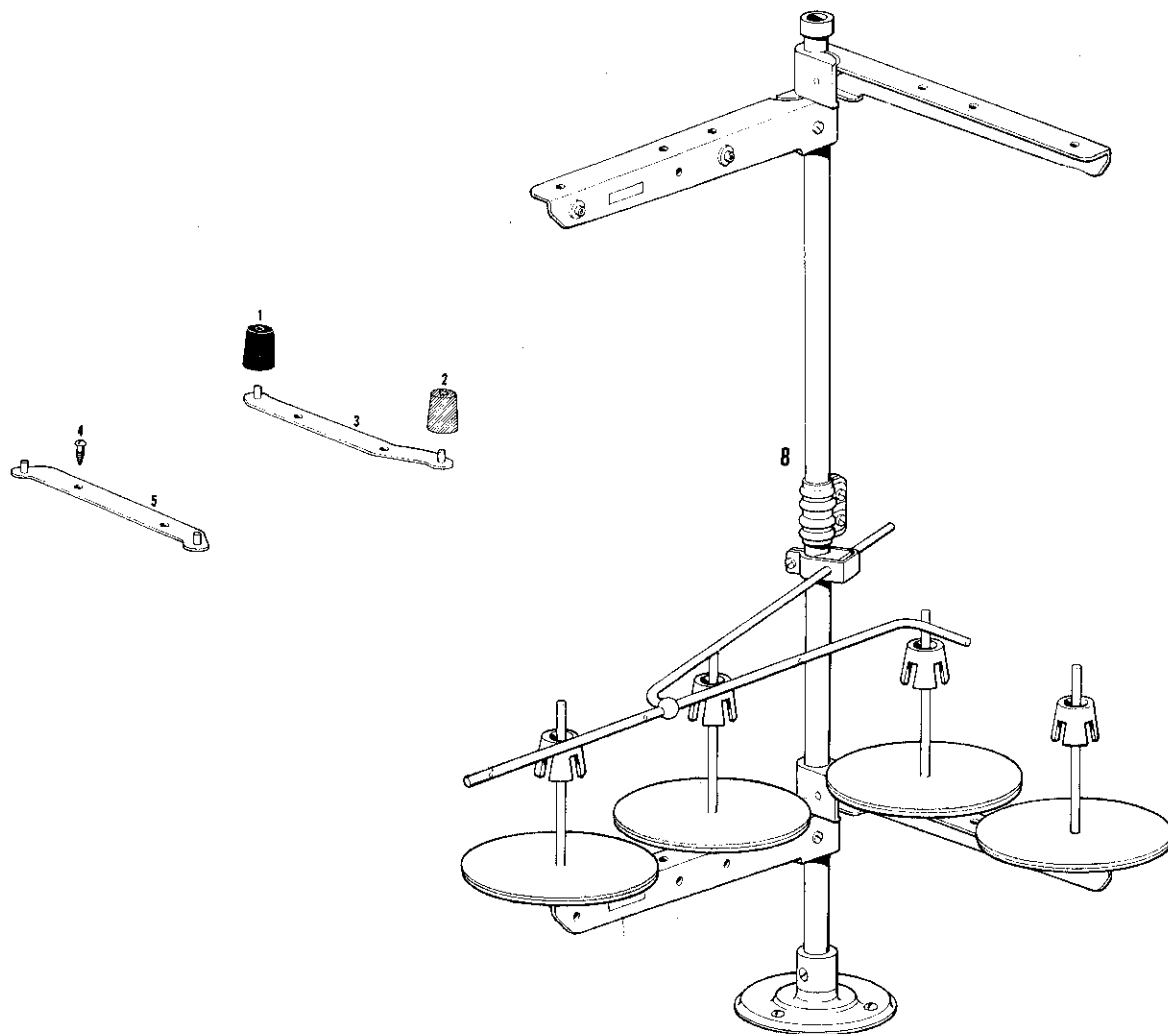


045 — 17

Ref. No.	Name of Parts	Qty	Parts No.	Assembly No.	Ref. No.	Name of Parts	Qty	Parts No.	Assembly No.
k-1	Tape Guide	1	146883-0-01		k-17	Level	1		
k-2	Screw	2	009669-4-12		k-18	Screw	2	014680-4-22	
k-3	Needle Clamp 2.2	1		146773-0-01	k-19	Set Collar	1		
k-4	Screw	2	146427-0-01		k-20	Over Looper Holder Guide Base	1		
k-5	Needle DC×1	2	112297-0-14		k-21	Over Looper Holder Guide Block	1		
k-6	Screw	1	100080-0-04		k-22	Over Looper Holder	1		148217-0-01
k-7	Washer	1	025030-1-32		k-23	Screw	1	146427-0-01	
k-8	Presser Foot Hinge Spring	1	146887-0-01	146906-0-01	k-24	Bolt	1	017761-6-12	
k-9	Screw	1	100105-0-05		k-25	Over Looper Driving Lever	1		
k-10	Presser Foot Stitch Tongue	1	146907-0-01		k-26	Over Looper Holding Shaft	1		
k-11	Presser Foot (Rear)	1	145774-0-01		k-27	Spacer	1	148783-0-01	
k-12	Presser Foot	1			k-28	Wick	1	108809-0-01	
k-13	Needle Plate	1			k-29	Wick	1	148249-0-00	
k-14	Main Feed Dog	1	148187-0-01		k-30	Over Looper	1		147937-0-01
k-15	Chain Feed Dog	1	148189-0-01		k-31	Screw	1	014680-4-22	
k-16	Differential Feed Dog	1	146750-0-01		k-32	Spring	1	144104-0-01	

★a. Definite parts for B571 and the parts except above-mentioned parts are the same as 001 —  (A~F).

Z. Machine Head Plate and Spool Stand



Ref. No.	Name of Parts	Qty	Parts No.	Assembly No.
Z-1	Rubber Cushion	1	147919-0-01	
Z-2	Rubber Cushion	3	147919-0-02	
Z-3	Cushion Base (Right)	1	148290-0-01	
Z-4	Screw	4	034151-6-03	
Z-5	Cushion Base (Left)	1	148292-0-01	
Z-8	Cotton Stand Assembly	1	150161-0-01	

DIFFERENT PARTS LIST

Model	Sub-Class	No. of Needle	No. of Thread	Needle Gauge	Sewing Width	Max. Stitch	Differential Ratio	Presser Foot	Feed Dog		Needle Speed	Sewing Speed	Front Cover Assembly	Oil Cap		Threading Diagram		
									Pitch	Type								
B-561	001 3 4 5	1	3	-	3 4 5	3.6	0.3~1.8	6	1.6		# 11	5000	A 34 A 38 A 79	148982-0-01	A-27	111865-0-01	A-33	148091-0-01
	002-5	1	3	-	5	2.5	0.4~3.6	7	2		# 14	5000	A 34 A 38 A 79	148982-0-01	A-27	111865-0-01	A-33	148091-0-01
	003-3 4	1	3	-	3 4	3.6	0.3~1.8	6	1.6		# 9	5000	A 34 A 38 A 79	148982-0-01	A-27	111865-0-01	A-33	148091-0-01
	005-4	1	2	-	4	3.6	0.3~1.8	4	1.6		# 14	5000	A 34 A 38 A 79	148982-0-01			M'24	148092-0-01
	007-2 4	1	3	-	2 4	3.6	0.3~1.8	6	1.6		# 11	5000	A 34 A 38 A 79	148982-0-01	A-27	111865-0-01	A-33	148091-0-01
	008-5	1	3	-	5	3.3	0.3~2.7	5	1.6		# 11	5000	A 34 A 38 A 79	148079-0-01			A-33	148091-0-01
	009-5	1	3	-	5	3.3	0.3~2.7	5	1.6		# 11	5000	A 34 A 38 A 79	148079-0-01			A-33	148091-0-01
	010-5	1	3	-	5	3.6	0.3~1.8	6	1.6		# 11	5000	A 34 A 38 A 79	148982-0-01	A-27	111865-0-01	A-33	148091-0-01
	011-6	1	3	-	6	2.5	0.4~3.6	7	2		# 14	5000	A 34 A 38 A 79	148982-0-01	A-27	111865-0-01	A-33	148091-0-01
B-571	021-4	2	4	1.8	4	3.6	0.3~1.8	6	1.6		# 11	5000	a 4 a 8 a 18	148985-0-01	A-27	111865-0-01	a-9	148098-0-01
	022-5	2	4	2.2	5	3.6	0.3~1.8	6	1.6		# 11	5000	a 4 a 8 a 18	148985-0-01	A-27	111865-0-01	a-9	148098-0-01
	023-6	2	4	2.2	6	3.6	0.3~1.8	6	1.6		# 11	5000	a 4 a 8 a 18	148985-0-01	A-27	111865-0-01	a-9	148098-0-01
	027-6	2	4	2.2	6	2.5	0.4~3.6	7	2		# 14	5000	a 4 a 8 a 18	148985-0-01	A-27	111865-0-01	a-9	148098-0-01
	031-7	2	4	3	7	3.6	0.3~1.8	7	2.5		# 21	5000	a 4 a 8 a 18	148985-0-01	A-27	111865-0-01	a-9	148098-0-01
	033-5	2	4	2.2	5	3.3	0.3~2.7	5	1.6		# 11	5000	a 4 a 8 a 18	148096-0-01			a-9	148098-0-01
	037-5	2	4	2.2	5	3.3	0.3~2.7	5	1.6		# 11	5000	a 4 a 8 a 18	148096-0-01			a-9	148098-0-01
	041-5	2	4	2.2	5	3.6	0.3~1.8	6	1.6		# 11	5000	a 4 a 8 a 18	148985-0-01	A-27	111865-0-01	a-9	148098-0-01
	042-6	2	4	2.2	6	3.6	0.3~1.8	6	1.6		# 11	5000	a 4 a 8 a 18	148985-0-01	A-27	111865-0-01	a-9	148098-0-01
045-6	2	4	2.2	6	2.5	0.4~3.6	7	2		# 14	5000	a 4 a 8 a 18	148985-0-01	A-27	111865-0-01	a-9	148098-0-01	

Model	Sub-Class	Level	Level	Needle Bar Assembly		Needle Bar	Needle Clamp Assembly	Needle DC×1		Needle Plate		Presser Foot Assembly		Main Feed Dog			
B-561	001-3 -4 -5	A-19 146974-0-01 146974-0-02 146974-0-03	A-42 147943-0-01	B-9 B-11	147629-0-01	/	/	B-12	112297-0-11	B-64	146730-0-01 146731-0-01 146732-0-01	E-59 E-67	146884-0-01	D-43	146744-0-01		
	002-5	I-13 146974-0-04	A-42 147943-0-01	B-9 B-11	147629-0-01	/	/	I-1	112297-0-14	I-9	146734-0-01	I-2 I-8	146898-0-01	I-10	148187-0-01		
	003-3 -4	J-19 146974-0-07 146974-0-08	A-42 147943-0-01	B-9 B-11	147629-0-01	/	/	J-6	112297-0-09	B-64	146730-0-01 146731-0-01	J-1 J-5	146890-0-01	D-43	146744-0-01		
	005-4	M-25 146974-0-14	/	B-9 B-11	147629-0-01	/	/	M-10	112297-0-14	B-64	146731-0-01	M-1 M-9	146893-0-01	D-43	146744-0-01		
	007-2 -4	J-13 146974-0-56 146974-0-57	A-42 147943-0-01	B-9 B-11	147629-0-01	/	/	B-12	112297-0-11	J-10 J-12	148352-0-01 148314-0-01	J-1 J-9	148311-0-01	D-43	146744-0-01		
	008-5	K-12 146974-0-19	A-42 147943-0-01	B-9 B-11	147629-0-01	/	/	B-12	112297-0-11	K-8	146737-0-01	K-1 K-7	144811-0-01	K-10	148188-0-01		
	009-5	L-12 146974-0-20	A-42 147943-0-01	B-9 B-11	147629-0-01	/	/	B-12	112297-0-11	L-8	146737-0-01	L-1 L-7	147433-0-01	L-10	148754-0-01		
	010-5	M-8 146974-0-21	A-42 147943-0-01	B-9 B-11	147629-0-01	/	/	B-12	112297-0-11	B-64	146732-0-01	M-1 M-7	146895-0-01	D-43	146744-0-01		
	011-6	N-15 146974-0-25	A-42 147943-0-01	B-9 B-11	147629-0-01	/	/	N-3	112297-0-14	N-11	146735-0-01	N-4 N-10	146895-0-01	N-12	148187-0-01		
B-571	021-4	b-14 146975-0-39	A-42 147943-0-01	/	/	a-2	146483-0-01	b-1 b-2	146771-0-01	b-3	147838-0-11	b-13 b-12	146779-0-01	b-4 b-12	146963-0-01	D-43	146744-0-01
	022-5	c-14 146975-0-04	A-42 147943-0-01	/	/	a-2	146483-0-01	c-1 c-2	146773-0-01	B-12	112297-0-11	c-12	146781-0-01	c-3 c-11	146902-0-01	D-43	146744-0-01
	023-6	d-16 146975-0-40	A-42 147943-0-01	/	/	a-2	146483-0-01	d-1 d-2	146773-0-01	B-12	112297-0-11	d-14	146782-0-01	d-3 d-11	146902-0-01	D-43	146744-0-01
	027-6 -7	e-15 146975-0-41 146975-0-15	A-42 147943-0-01	/	/	a-2	146483-0-01	e-1 e-2	146773-0-01	e-3	112297-0-14	e-11	146782-0-01 146783-0-01	e-4 e-10	146904-0-01	e-12	148187-0-01
	031-7	f-16 146975-0-17	A-42 147943-0-01	/	/	a-2	146483-0-01	f-1 f-2	146775-0-01	f-3	112297-0-21	f-13	146785-0-01	f-4 f-12	146965-0-01	f-14	146790-0-01
	033-5	g-14 146975-0-19	A-42 147943-0-01	/	/	a-2	146483-0-01	g-1 g-2	146773-0-01	B-12	112297-0-11	g-10	146786-0-01	g-3 g-9	144815-0-01	g-12	148188-0-01
	037-5	h-14 146975-0-21	A-42 147943-0-01	/	/	a-2	146483-0-01	h-1 h-2	146773-0-01	B-12	112297-0-11	h-10	146786-0-01	h-3 h-9	147439-0-01	h-11	148754-0-01
	041-5	j-12 146975-0-23	A-42 147943-0-01	/	/	a-2	146483-0-01	j-1 j-2	146773-0-01	B-12	112297-0-11	j-10	146781-0-01	J-3 J-9	146906-0-01	D-43	146744-0-01
	042-6	j'-10 146975-0-27	A-42 147943-0-01	/	/	a-2	146483-0-01	j'-13 j'-14	146773-0-01	B-12	112297-0-11	j'-8	146782-0-01	J'-1 J'-7	146906-0-01	D-43	146744-0-01
045-6	k-17 146975-0-32	A-42 147943-0-01	/	/	a-2	146483-0-01	k-3 k-4	146773-0-01	K-5	112297-0-14	K-13	146782-0-01	k-6 k-12	146906-0-01	K-14	148187-0-01	

Model	Sub-Class	Differential Feed Dog	Chain Feed Dog	Over Looper Assembly	Over Looper	Needle Thread Take-up	Washer	Edge Hemming Ruler Assembly	Screw	Edge Guide
B 561	001-3 4 5	D 40 146748-0-01	D 42 146577-0-01	C-32 148209-0-01 C-40	C 42 147934-0-01 C-43	F 6 144108-0-01	F-7 105248-0-03			
	002-5	I-12 146750-0-01	I-11 148189-0-01	I-14 148217-0-01 I-23	I-26 147937-0-01 I-27	F-6 144108-0-01	F-7 105248-0-03			
	003-3 4	D-40 146748-0-01	D-42 146577-0-01	C-32 148209-0-01 C-40	C-42 147934-0-01 C-43	F-6 144108-0-01	F-7 105248-0-03	J-7 147710-0-01 J-17	J-18 009670-6-12	
	005-4	D 40 146748-0-01	D 42 146577-0-01	C-32 148209-0-01 C-40	M-12 147935-0-01 M-13	M-11 142201-0-01				M-14 146761-0-01 M-22
	007-2 4	D-40 146748-0-01	D-42 146577-0-01	C-32 148209-0-01 C-40	C-42 147934-0-01 C-43	F-6 144108-0-01	F-7 105248-0-03			
	008-5	K-11 146751-0-01	K-9 148189-0-01	C-32 148209-0-01 C-40	C-42 147934-0-01 C-43	F-6 144108-0-01	F-7 105248-0-03			
	009-5	L-11 146751-0-01	L-9 148753-0-01	C-32 148209-0-01 C-40	C-42 147934-0-01 C-43	F-6 144108-0-01	F-7 105248-0-03			
	010-5	D 40 146748-0-01	D-42 146577-0-01	C-32 148209-0-01 C-40	C-42 147934-0-01 C-43	F-6 144108-0-01	F-7 105248-0-03			
	011-6	N-14 146750-0-01	N-13 148189-0-01	N-16 148217-0-01 N-25	N-28 147937-0-01 N-29	F-6 144108-0-01	F-7 105248-0-03			
	B-571	021-4	D 40 146748-0-01	D-42 146577-0-01	C-32 148209-0-01 C-40	C-42 147934-0-01 C-43	F-6 144108-0-01	F-7 105248-0-03		
022-5		c-13 146749-0-01	D-42 146577-0-01	C-32 148209-0-01 C-40	C-42 147934-0-01 C-43	F-6 144108-0-01	F-7 105248-0-03			
023-6		d-15 146749-0-01	D-42 146577-0-01	C-32 148209-0-01 C-40	d-12 147936-0-01 d-13	F-6 144108-0-01	F-7 105248-0-03			
027-6		e-14 146750-0-01	e-13 148189-0-01	e-16 148217-0-01 e-25	e-28 147937-0-01 e-29	F-6 144108-0-01	F-7 105248-0-03			
031-7		f-15 146791-0-01	D-42 146577-0-01	f-17 148217-0-01 f-26	f-29 147937-0-01 f-30	F-6 144108-0-01	F-7 105248-0-03			
033-5		g-13 146751-0-01	g-11 148189-0-01	C-32 148209-0-01 C-40	C-42 147934-0-01 C-43	F-6 144108-0-01	F-7 105248-0-03			
037-5		h-13 146751-0-01	h-12 148753-0-01	C-32 148209-0-01 C-40	C-42 147934-0-01 C-43	F-6 144108-0-01	F-7 105248-0-03			
041-5		j-11 146749-0-01	D 42 146577-0-01	C-32 148209-0-01 C-40	C-42 147934-0-01 C-43	F-6 144108-0-01	F-7 105248-0-03			
042-6		i-9 146749-0-01	D-42 146577-0-01	C-32 148209-0-01 C-40	J-15 147936-0-01 J-16	F-6 144108-0-01	F-7 105248-0-03			
045-6		k-16 146750-0-01	k-15 148189-0-01	k-18 148217-0-01 k-27	k-30 147937-0-01 k-31	F-6 144108-0-01	F-7 105248-0-03			

Model	Sub-Class	Screw	Ruffling Attachment Assembly	Screw	Handle	Nut	Wrapper Assembly	Screw	Tape Guide	Screw			
B-561	001-3 -4 -5												
	002-5												
	003-3 -4												
	005-4	M-23	110201-0-01										
	007-2 -4												
	008-5		K-13 K-44 146587-0-01	K-45	009781-8-12	K-48	145809-0-01	K-49	021780-3-03				
	009-5		L-13 L-44 146587-0-01	L-45	009781-8-12	L-48	145809-0-01	L-49	021780-3-03	L-50	147440-0-00	L-51	009680-6-12
	010-5									M-9	146883-0-01	M-10	009669-4-12
	011-5									N-1	146883-0-01	N-2	009669-4-12
	B-571	021-4											
022-5													
023-6													
027-6													
031-7													
033-5			g-15 g-46 146587-0-01	g-47	009781-8-12	g-50	145809-0-01	g-51	021780-3-03				
037-5			h-15 h-46 146587-0-01	h-47	009781-8-12	h-50	145809-0-01	h-51	021780-3-03	h-52	147440-0-00	h-53	009680-6-12
041-5										i-13	146883-0-01	J-14	009669-4-12
042-6										J-11	146883-0-01	J-12	009669-4-12
045-6										k-1	146883-0-01	k-2	009669-4-12

Model	Sub-Class	Ruffler Guide	Screw	Spool Stand Assembly	Tape Winder Assembly	Screw	Screw Driver Small	Spring				
B 561	001-3 -4 -5							F-16 144104-0-01				
	002-5							F-16 144104-0-01				
	003-3 -4							F-16 144104-0-01				
	005-4							F-16 144104-0-01				
	007 2 -4						J-14 148925-0-01	F-16 144104-0-01				
	008-5	K-46 144793-0-01	K-47 112751-0-02						F-16 144104-0-01			
	009-5	L-46 144793-0-01	L-47 112751-0-02	P-1 P-7	181031-0-01	P-8 P-16	143767-0-02	P-17 101118-0-01	F-16 144104-0-01			
	010-5							F-16 144104-0-01				
	011-6							F-16 144104-0-01				
B-571	021-4							F-16 144104-0-01				
	022-5							F-16 144104-0-01				
	023-6							F-16 144104-0-01				
	027-6							F-16 144104-0-01				
	031-7							f-31 148851-0-01				
	033-5	g-48 144793-0-00	g-49 112751-0-02						F-16 144104-0-01			
	047-5	h-48 144793-0-00	h-49 112751-0-02	P-1 P-7	181031-0-01	P-8 P-16	143767-0-02	P-17 101118-0-01	F-16 144104-0-01			
	041-5							F-16 144104-0-01				
	042-6							F-16 144104-0-01				
	045-6							F-16 144104-0-01				

INDEX

Pars No.	Ref. No.	Remark	Pars No.	Ref. No.	Remark	Pars No.	Ref. No.	Remark
001401-4-06	Y-28		009680-8-12	K-41		025030-1-32	N-5	
001660-5-12	E-69		"	L-42		"	b-5	
001670-5-12	K-32		"	g-43		"	d-4	
"	L-32		"	h-43		"	e-5	
"	g-34		009681-0-12	B-55		"	f-7	
"	h-34		"	Y-16		"	g-4	
001670-6-14	J-7		009681-2-12	A-17		"	h-4	
005710-8-12	M-14		009681-4-12	F-10		"	j-4	
009630-8-12	D-41		"	F-19		"	j-2	
009639-3-12	C-9		009781-8-12	K-45		"	K-7	
"	E-60		"	L-45		025680-2-32	Y-15	
"	J-6		"	g-47		025770-2-32	K-28	
"	M-9		"	h-47		"	L-28	
"	b-8		013679-4-12	k-42		"	g-29	
"	d-7		"	L-40		"	h-30	
"	f-10		"	g-44		028050-2-42	P-5	
009660-7-12	K-15		"	h-44		031311-3-02	Y-13	
"	L-15		013689-4-12	F-21		034151-6-03	Z-4	
"	g-17		013760-6-12	A-74		047140-8-42	A-37	
"	h-17		"	C-13		"	a-7	
009669-3-12	F-8		013761-4-10	B-53		048030-3-42	J-13	
009669-4-12	B-5		014680-4-22	A-22		072600-0-00	B-39	
"	E-72		"	C-18		072600-1-00	B-50	
"	M-10		"	C-40		"	B-57	
"	N-2		"	C-42		"	B-59	
"	J-14		"	I-14		081002-6-70	E-17	
"	j-12		"	I-27		100022-0-05	E-21	
"	K-2		"	M-13		100032-0-03	A-58	
009670-4-12	A-31		"	N-16		"	B-63	
009670-5-12	C-1		"	N-29		100080-0-02	P-3	
"	C-22		"	d-13		100080-0-04	C-3	
"	C-44		"	e-16		"	E-64	
"	C-54		"	e-29		"	I-2	
"	E-25		"	f-17		"	J-1	
009670-6-12	A-7		"	f-30		"	J-1	
"	A-9		"	j-16		"	K-1	
"	A-40		"	K-18		"	L-1	
"	A-48		"	K-31		"	M-1	
"	A-54		017751-4-12	C-16		"	"	
"	A-60		017761-4-12	C-34		"	N-4	
"	A-67		"	D-7		"	b-4	
"	A-70		"	D-14		"	d-3	
"	E-47		"	D-25		"	e-4	
"	F-5		017761-6-12	B-22		"	f-4	
"	F-24		"	E-37		"	g-3	
"	F-33		"	I-20		"	h-3	
"	F-39		"	N-22		"	j-3	
"	J-18		"	e-22		"	j-1	
009670-8-12	B-8		"	f-23		"	K-6	
"	B-36		"	K-24		100105-0-05	C-4	
"	C-19		017771-4-12	C-9		"	E-67	
"	F-10		017771-6-12	A-45		"	I-4	
"	F-37		"	C-52		"	J-3	
009671-4-12	B-68		"	E-52		"	K-4	
009679-3-12	J-12		018061-6-22	B-69		"	L-4	
"	M-20		021400-1-06	Y-27		"	M-3	
009680-6-12	K-30		021670-2-02	B-67		"	M-4	
"	K-37		021680-2-02	E-9		"	N-7	
"	L-30		"	M-17		"	b-10	
"	L-37		021760-3-03	K-44		"	d-9	
"	L-51		"	L-44		"	e-6	
"	g-32		"	g-46		"	f-5	
"	g-39		"	h-46		"	g-8	
"	h-32		021780-3-03	K-49		"	h-6	
"	h-39		"	L-49		"	j-6	
"	h-53		"	g-51		"	j-4	
009680-7-12	A-52		"	h-51		"	K-9	
"	A-77		025030-1-32	C-5		100136-0-01	P-15	
"	B-29		"	E-63		100260-0-01	C-27	
"	B-34		"	I-3		"	E-30	
"	C-57		"	J-2		100366-0-01	B-17	
"	D-53		"	J-2		"	B-18	
"	E-14		"	K-2		"	B-24	
"	E-58		"	L-2		"	B-74	
"	J-16		"	M-2		"	D-22	
009680-7-14	A-1		"	"		100444-0-02	P-2	

Pars No.	Ref. No.	Remark	Pars No.	Ref. No.	Remark	Pars No.	Ref. No.	Remark
100447-0-01	P-7		112297-0-09	J-6		143767-0-02	P-8~16	
101118-0-01	P-17		112297-0-11	B-12		143976-0-01	P-11-12	
101572-1-01	Y-10		112297-0-14	I-1		143978-0-01	P-9-10	
101706-0-01	A-63		"	M-10		143980-0-01	P-8	
"	K-18		"	N-3		144031-0-00	C-30	
"	K-20		"	e-3		144049-0-01	C-21	
"	L-18		"	K-5		144073-0-01	E-43	
"	L-20		112297-0-21	f-3		144075-0-01	E-41	
"	g-20		112299-0-01	F-3		144088-0-01	M-15	
"	g-22		112300-0-01	F-2		144091-0-01	K-3	
"	h-20		112301-0-01	F-4		"	L-3	
"	h-22		112436-0-01	E-49		"	g-5	
101706-0-03	D-28		"	Y-33		"	h-5	
102627-0-01	E-54		112751-0-02	K-47		144100-0-01	K-5	
102843-0-04	A-8		"	L-47		"	L-5	
"	B-43		"	g-49		"	g-9	
"	B-47		"	h-49		"	h-7	
104908-0-01	E-20		112754-0-01	B-35		144103-0-02	F-15	
105163-0-01	K-36		113431-0-02	D-37		"	F-28	
"	L-36		"	D-46		"	a-13	
"	g-38		113589-0-01	A-15		144104-0-01	F-16	
"	h-38		114255-0-02	B-13		144105-0-00	F-17	
105234-0-03	K-22		114483-0-01	Y-35		"	F-26	
"	L-22		116016-0-01	Y-26		"	K-26	
"	g-23		116231-0-01	D-9		"	L-26	
"	h-24		"	D-15		"	a-11	
105248-0-03	F-7		117160-0-01	A-30		"	g-27	
105343-0-01	Y-3		117466-0-00	Y-11		"	h-28	
105344-0-01	J-14		117515-0-01	E-45		144106-0-02	F-18	
106120-0-02	A-69		117516-0-01	D-39		"	F-25	
106368-0-01	A-55		"	D-44		"	K-25	
107244-0-01	B-61		"	E-46		"	L-25	
107351-0-01	B-70		117608-0-01	B-65		"	a-10	
107407-0-03	A-39		118768-0-01	B-30		"	g-26	
"	D-38		118837-0-01	Y-9		"	h-27	
"	D-45		122771-0-02	F-40		144108-0-01	F-6	
"	E-44		122991-0-01	Y-1		144110-0-01	F-27	
"	E-51		140041-0-01	A-5		144124-0-01	Y-7	
107779-0-01	Y-4		140065-0-01	D-1		144127-0-01	C-20	
108494-0-01	P-13		140066-0-01	B-26		144225-0-01	Y-34	
108495-0-01	P-14		"	C-24		144764-0-01	K-33	
108809-0-01	C-31		140077-0-01	A-50		"	L-33	
"	J-24		140084-0-00	B-62		"	g-35	
"	N-26		140085-0-03	B-54		"	h-35	
"	e-26		140092-0-01	B-16		144783-0-01	K-13	
"	f-27		"	B-23		"	L-13	
"	k-28		140180-0-01	B-52		"	g-15	
109203-0-01	A-44		140208-0-01	D-34		"	h-15	
109852-0-01	P-4		"	D-57		144784-0-01	K-14	
109853-0-01	P-1		140248-0-01	E-57		"	L-14	
109854-0-01	P-1~6		140342-0-01	Y-2		"	g-16	
100161-0-03	P-6		140504-0-01	E-68		"	h-16	
110201-0-01	M-23		140759-0-00	Y-29		144788-0-01	K-27	
110230-0-01	K-23		140774-0-00	D-30		"	L-27	
"	L-23		"	D-54		"	g-28	
"	g-24		141183-0-00	A-65		"	h-29	
"	h-25		141393-0-01	E-73		144793-0-00	K-46	
110641-0-01	A-43		141528-0-01	E-8		"	L-46	
110670-0-00	B-56		141542-0-01	Y-31		"	g-48	
110672-0-00	B-58		142125-0-00	Y-12		"	h-48	
110673-0-00	B-60		142201-0-01	M-11		144811-0-01	K-1~7	
110813-0-01	F-32-a-17		142262-0-01	Y-20		144813-0-01	K-6	
110820-0-01	F-12		142590-0-01	C-3		"	L-6	
"	F-31		"	C-7		144815-0-01	g-3~9	
"	K-29		"	C-50		144816-0-01	g-6	
"	L-29		142658-0-01	C-46		"	h-8	
"	a-16		142669-0-01	F-41		145277-0-01	Y-36	
"	g-30		142674-0-00	D-31		145446-0-01	F-14	
"	h-31		"	D-58		"	F-29	
110832-0-01	F-13		142721-0-01	Y-6		"	a-24	
"	F-30		143311-0-01	B-37		145774-0-01	I-7	
"	a-15		143312-0-00	B-38		"	M-5	
111443-0-01	J-10		143374-0-01	A-75		"	N-9	
111486-0-01	B-71		143552-0-01	J-8		"	e-8	
111865-0-01	A-27		143750-0-02	P-16		"	j-7	
112297-	Y-22		143757-0-01	F-9		"	j-5	

Pars No.	Ref. No.	Remark	Pars No.	Ref. No.	Remark	Pars No.	Ref. No.	Remark
145774-0-01	K-11		146598-0-01	M-19		146887-0-01	b-6	
145803-0-01	K-16		146599-0-01	M-16		"	d-5	
"	L-16		146617-0-01	C-17		"	e-7	
"	g-18		146644-0-00	B-27		"	f-8	
"	h-18		146649-0-01	F-11		"	j-5	
145807-0-01	K-40					"	j-3	
"	L-43		146652-0-01	F-35		"	K-8	
"	g-42		146653-0-01	F-36		146888-0-01	C-10	
"	h-42		146654-0-01	F-38		"	E-59	
145808-0-01	k-38		146700-0-01	Y-8		"	J-8	
"	L-38		146713-0-01	A-28-29		"	M-8	
"	g-40		146730-0-01	B-64		"	b-9	
"	h-40		146731-0-01	"		"	d-8	
145809-0-01	K-48		146732-0-01	"		"	f-11	
"	L-48		146734-0-01	I-9		146889-0-01	C-7	
"	g-50		146735-0-01	N-11		"	J-7	
"	h-50		146737-0-01	K-8		"	M-5	
145811-0-01	K-31		"	L-8		"	b-11	
"	L-31		146744-0-01	D-43		"	d-10	
"	g-33		146748-0-01	D-40		"	f-6	
"	h-33		146749-0-01	C-13		146890-0-01	J-1~5	
146315-0-00	A-62		"	d-15		146892-0-01	J-4	
146421-0-00	A-14		"	j-11		146893-0-01	M-1~9	
146426-0-00	A-11		"	j-9		146894-0-01	M-6	
146427-0-01	A-10		146750-0-01	I-12		146895-0-01	M-1~7	
"	A-68		"	N-14		"	N-4~10	
"	B-2		"	c-14		146897-0-01	M-6	
"	C-2		"	K-16		146898-0-01	I-1~8	
"	C-35		146751-0-01	K-11		146900-0-01	I-6	
"	E-2		"	L-11		"	N-8	
"	I-19		"	g-13		146902-0-01	c-3~11	
"	N-21		"	h-13		"	d-3~11	
"	b-2		146754-0-01	E-50		146903-0-01	C-8	
"	d-2		146759-0-01	J-14		"	d-6	
"	e-2		146760-0-01	J-17		146904-0-01	e-4~10	
"	e-21		146761-0-01	M-14-22		146905-0-01	e-9	
"	f-2		146762-0-01	M-21		146906-0-01	j-3~9	
"	f-22		146771-0-01	b-1-2		"	j-1~7	
"	g-2		146773-0-01	c-1-2		"	K-5~12	
"	h-2		"	d-1-2		146907-0-01	j-8	
"	j-2		"	e-1-2		"	j-6	
"	j-14		"	g-1-2		"	K-10	
"	K-4		"	h-1-2		146924-0-00	A-29	
"	K-23		"	j-1-2		146926-0-01	F-23	
164440-0-01	A-36		"	j-13-14		146929-0-01	F-34	
"	a-6		"	K-3-4		146963-0-01	b-4~12	
146441-0-00	A-38		146775-0-01	f-1-2		146964-0-01	b-7	
146441-0-01	a-5		146779-0-01	b-13		146965-0-01	f-4~12	
146442-0-01	A-35		146781-0-01	C-12		146966-0-01	f-9	
"	a-8		"	j-10		146974-0-01	A-19	
146446-0-01	A-32		146782-0-01	K-13		146974-0-02	"	
146483-0-01	a-2		"	d-14		146974-0-03	"	
146486-0-00	B-10		"	j-8		146974-0-04	I-13	
146547-0-00	D-51		"	e-11		146974-0-07	J-19	
146549-0-01	D-52		146783-0-01	"		146974-0-08	"	
146577-0-01	D-42		146785-0-01	f-13		146974-0-14	M-25	
146580-0-01	E-39		146786-0-01	g-10		146974-0-19	K-12	
146581-0-01	C-28		"	h-10		146974-0-20	L-12	
"	E-31		146790-0-01	f-14		146974-0-21	M-8	
146582-0-01	E-53		146791-0-01	f-15		146974-0-25	N-15	
146584-0-01	E-55		146793-0-01	a-1		146974-0-56	J-13	
146585-0-01	E-48		146883-0-01	M-9		146975-0-04	C-14	
146586-0-00	E-56		"	N-1		146975-0-15	e-15	
146587-0-01	K-13-44		"	j-13		146975-0-17	f-16	
"	"		"	j-11		146975-0-19	g-14	
"	L-13~44		"	K-1		146975-0-21	h-14	
"	g-15~46		146884-0-01	E-59-67		146975-0-23	j-12	
"	h-15~46		146886-0-01	E-61		146975-0-27	j-10	
146588-0-01	g-36		146887-0-01	C-6		146975-0-32	K-17	
"	h-36		"	E-62		146975-0-39	b-14	
146592-0-01	K-43		"	I-5		146975-0-40	d-16	
"	L-41		"	J-3		146975-0-41	e-15	
"	g-45		"	J-4		147344-0-01	F-1	
"	h-45		"	M-3		147433-0-01	L-1~7	
146596-0-01	M-22		"	M-4		147439-0-01	h-3~9	
146597-0-01	M-18		"	N-6		147440-0-00	L-50	

Pars No.	Ref. No.	Remark	Pars No.	Ref. No.	Remark	Pars No.	Ref. No.	Remark
147440-0-01	h-52		148144-0-01	E-6		148259-0-01	Y-32	
147629-0-01	B-9-11		148145-0-01	E-5		148262-0-01	D-48-50	
147631-0-01	B-11		148146-0-01	E-3		148269-0-01	B-1-8	
147691-0-00	B-31		148147-0-01	E-1		148281-0-01	E-40	
"	B-32		148148-0-01	E-71		148290-0-01	Z-3	
147710-0-01	J-7-17		148149-0-01	E-70		148292-0-01	Z-5	
147711-0-01	J-9		148163-0-01	D-21-24		148304-0-01	A-53	
147712-0-01	J-15		148166-0-01	D-23		148311-0-01	J-1-9	
147713-0-01	J-11		148167-0-01	D-3		148313-0-01	J-5	
147838-0-11	b-3		148168-0-00	D-4		148314-0-01	J-10-12	
147893-0-01	Y-25		148169-0-00	D-20		148315-0-01	B-28	
147919-0-01	Z-1		148170-0-01	D-49-50		148346-0-01	E-22-25	
147919-0-02	Z-2		148173-0-00	D-48		148352-0-01	J-10-12	
147933-0-01	K-21		148174-0-00	D-36		148354-0-01	J-11	
"	L-21		148175-0-00	D-47		148355-0-01	J-12	
"	g-31		148176-0-01	D-27		148373-0-00	B-41	
"	h-23		148177-0-01	D-17		148403-0-00	D-55	
147934-0-01	C-42-43		148178-0-01	D-16		148404-0-01	D-59	
147935-0-01	M-12-13		148179-0-01	D-10		148430-0-01	Y-14	
147936-0-01	d-12-13		148180-0-01	D-8		148431-0-01	Y-17	
"	j-15-16		148181-0-01	D-5		148432-0-01	Y-18	
147937-0-01	I-26-27		"	D-19		148753-0-01	L-9	
"	K-30-31		148182-0-01	D-18		"	h-12	
"	N-28-29		148183-0-01	D-6		148754-0-01	L-10	
"	e-28-29		148184-0-00	D-32		"	h-11	
"	f-29-30		148185-0-01	D-33		148782-0-01	C-56	
147943-0-01	A-42		148186-0-01	D-35		148783-0-01	C-55	
148065-0-01	A-16		"	D-56		"	I-23	
148066-0-00	A-18		148187-0-01	I-10		"	N-25	
148067-0-01	A-2		"	N-12		"	e-25	
148068-0-00	A-3		"	e-12		"	f-26	
148069-0-01	A-72		"	K-14		"	K-27	
148070-0-01	A-76		148188-0-01	K-10		148813-0-01	E-24	
148071-0-00	A-73		"	g-12		148838-0-01	D-12	
148072-0-01	A-71		148189-0-01	I-11		148847-0-01	D-11	
148073-0-01	A-12		"	K-9		"	D-13	
148074-0-01	A-6		"	N-13		148851-0-01	f-31	
148075-0-00	A-4		"	e-13		148857-0-01	B-45	
148076-0-01	A-66		"	g-11		"	C-5	
148077-0-01	A-61		"	k-15		"	C-48	
148078-0-01	A-49		148196-0-00	E-38		"	D-26	
148079-0-01	A-34-38		148197-0-00	E-32		148858-0-01	B-10	
148081-0-01	A-41		148198-0-01	E-42		"	B-12-17	
148082-0-01	A-57		"	Y-30		"	B-18-21	
148083-0-01	A-56		148200-0-01	C-51-52		"	B-44	
148084-0-01	A-23		148204-0-01	C-45		"	B-72-75	
148085-0-01	A-26		148205-0-01	B-46		148859-0-00	A-78	
148086-0-00	B-40		148206-0-01	C-25		149005-0-01	Y-19	
148087-0-01	A-46		148207-0-00	C-26		150160-0-01	Z-8	
148088-0-00	A-47		148208-0-01	C-29		150161-0-01	Z-8	
148089-0-01	A-59		148209-0-01	C-32-40		180323-0-01	C-12-13	
148090-0-01	A-51		148217-0-01	I-14-23		181031-0-01	P-1-7	
148091-0-01	A-33		"	K-18-27		181628-0-01	C-47-48	
148092-0-01	M-24		"	N-16-24		181629-0-01	C-2-4-5	
148096-0-01	a-5-8		"	e-16-25		181630-0-01	C-3-6-7	
148098-0-01	a-9		"	f-17-26		181631-0-01	C-46-49	
148109-0-01	B-48		148220-0-01	C-2-7		"	C-50	
148111-0-00	B-51		148224-0-01	C-2		181969-0-03	A-63-64	
148112-0-00	B-49		148225-0-01	B-42		181995-0-01	D-28-29	
148120-0-00	B-25		148226-0-01	C-10		"	L-19-20	
148121-0-00	B-15		148227-0-00	C-11		181995-0-02	K-19-20	
148123-0-01	B-14		148228-0-00	C-15		"	g-21-22	
148124-0-01	B-66		148229-0-01	C-14		"	h-21-22	
148128-0-01	E-11		148247-0-01	B-33		148925-0-01	J-14	
148129-0-01	E-12		148248-0-00	D-2				
148130-0-01	E-13		148249-0-00	C-41				
148131-0-01	E-18-19		"	I-25				
148133-0-01	E-19		"	N-27				
148134-0-01	F-16		"	e-27				
148135-0-01	E-15		"	f-28				
148136-0-01	E-29		"	K-29				
148137-0-01	E-27		148250-0-01	C-53				
148138-0-01	E-28		148251-0-01	C-23				
148139-0-01	E-26		148253-0-01	F-20				
148143-0-01	E-7		148254-0-01	F-22				
148144-0-01	E-4		148258-0-01	Y-19				

