



## Teileliste und Näheinrichtungen Spare Parts List and Sewing Equipment

# 745-7

### Inhaltsverzeichnis

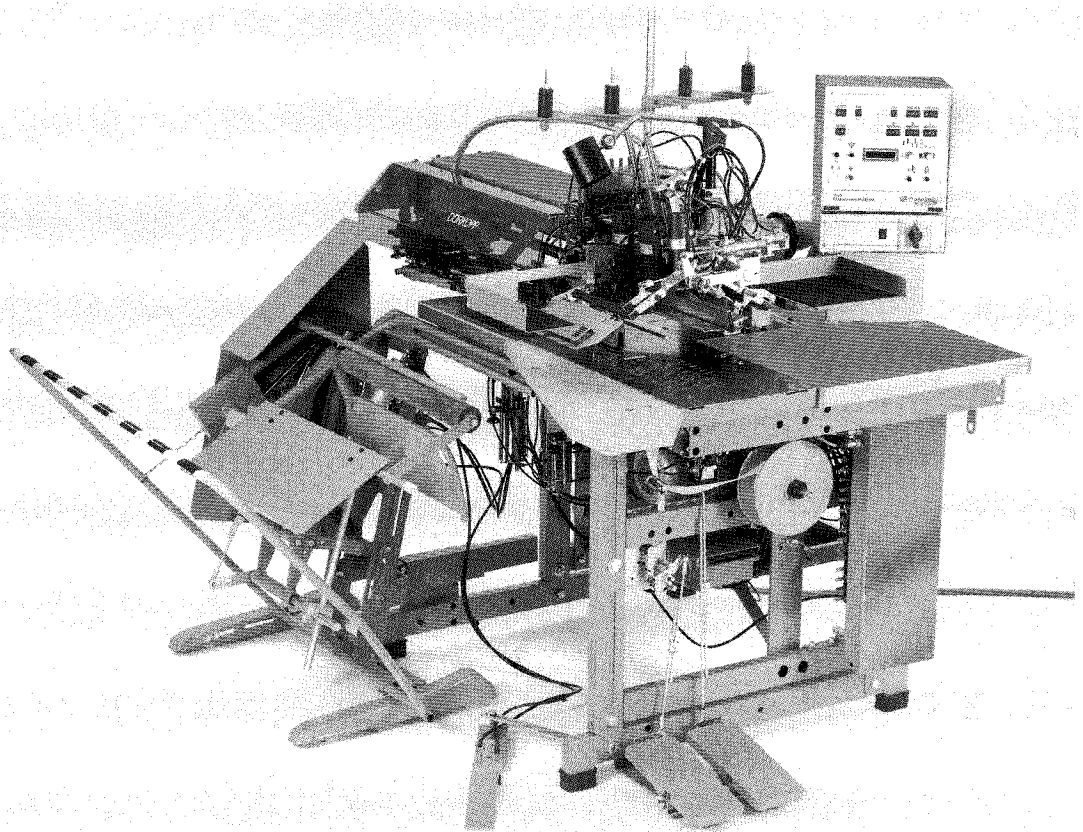
|   |                      |
|---|----------------------|
| Gestellteile  | Tafel 1, 2, 3        |
| Mechanische Teile                                   | Tafel 4 bis 8, 11    |
| Getriebeteile                                       | Tafel 9, 10          |
| Schneideeinrichtung                                 | Tafel 12, 13         |
| Messersperre  | Tafel 13             |
| Klammereinrichtungen                                | Tafel 14 bis 22, 52  |
| Einlegestation                                      | Tafel 23 bis 25a     |
| Dritte Markierungsleuchte                           | Tafel 23             |
| Stempelinrichtungen                                 | Tafel 26 bis 29      |
| Maschinen-Oberteil<br>935-246-41                    | Tafel 30 bis 39      |
| Tischplatte,<br>Tischverbreiterungen                | Tafel 40, 75         |
| Pneumatikteile                                      | Tafel 41             |
| Verteiler   | Tafel 42             |
| Steuergerät   | Tafel 43 bis 48      |
| Motorteile  | Tafel 49             |
| Elektroteile  | Tafel 30, 50         |
| Beipackteile  | Tafel 51             |
| Autom. Zuführeinrichtung,<br>rechts                 | Tafel 53, 55         |
| Autom. Zuführeinrichtung<br>links                   | Tafel 54, 56         |
| Zuführeinrichtung<br>links und rechts               | Tafel 57, 58, 59     |
| Staplerteile  | Tafel 60, 61, 62     |
| Rollüberwurfstapler                                 | Tafel 63, 64, 65     |
| Klemmvorrichtung für<br>Hinterhose u. Taschenbeutel | Tafel 66, 67         |
| Abzugsvorrichtung                                   | Tafel 68, 69         |
| Staplerzusatzgerät                                  | Tafel 65, 70, 71     |
| Pneum. Bündelklammer<br>mit Fußventil               | Tafel 72             |
| Band-Zuführ.- und<br>Abschneideautomatik            | Tafel 73, 74         |
| Teilesatz für Brust-<br>leistentaschen              | Tafel 76             |
| Ausstreifeinrichtung                                | Tafel 77             |
| Anlegevorrichtung für<br>Brustleisten               | Tafel 24, 78, 79, 80 |
| Teilesatz zum Aufschneiden<br>des Paspelstreifens   | Tafel 81, 82         |
| Zuführeinrichtung für<br>Paspelschneideinrichtung   | Tafel 83, 84, 85     |
| Teilesatz „Taschenbeutel<br>über Patte“             | Tafel 86             |
| Teilesatz für Reißverschluss<br>links und rechts    | Tafel 87             |
| Restfadenwächter<br>für Unterfäden                  | Tafel 88             |
| Näheinrichtungen                                    | Tafel 89 u. Anhang   |

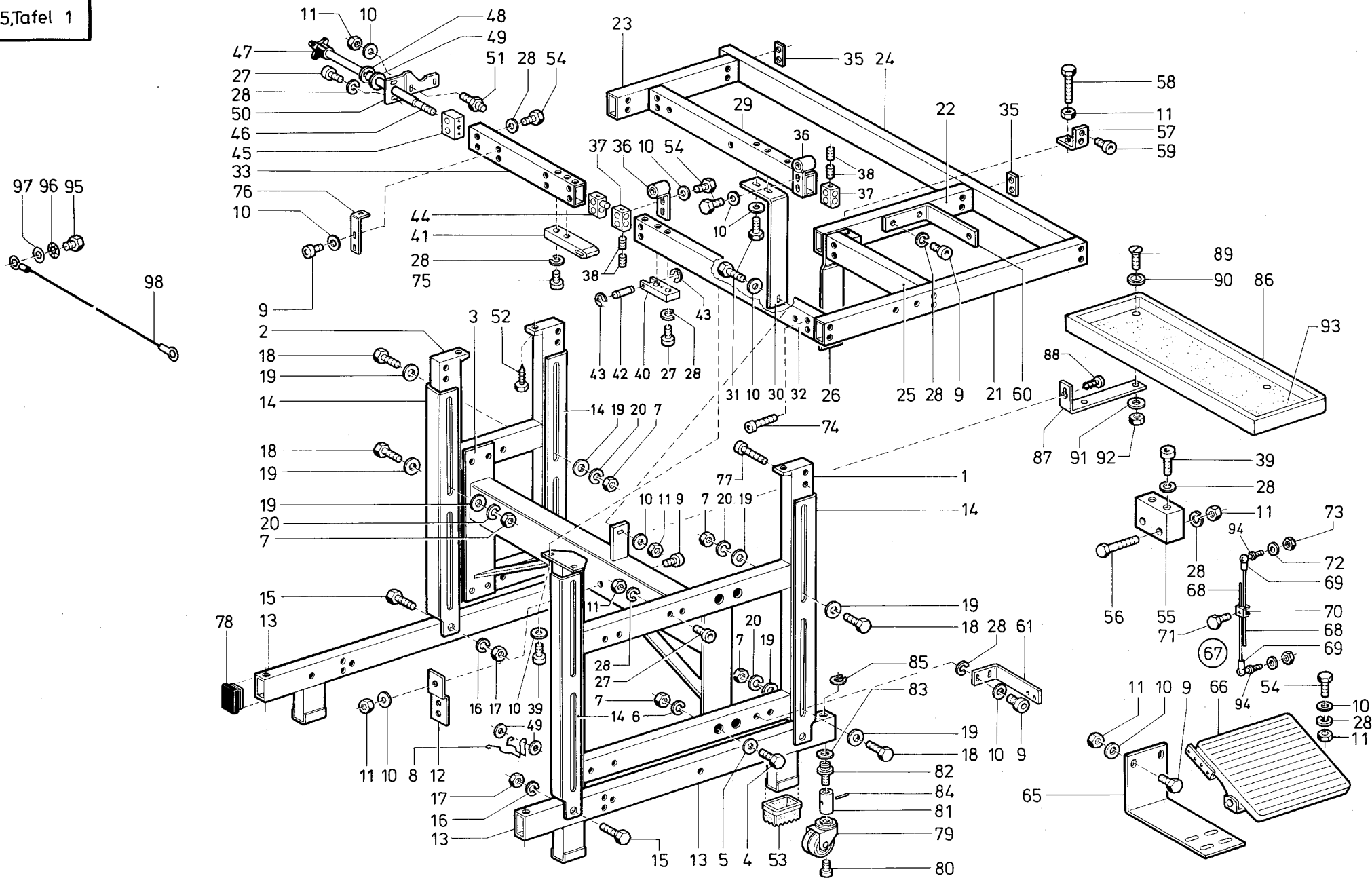
### Contents

|  |                       |
|--|-----------------------|
| Stand Parts  | Table 1, 2, 3         |
| Mechanical Parts                                       | Table 4 up to 8, 11   |
| Gearing Parts  | Table 9, 10           |
| Cutter Device  | Table 12, 13          |
| Knife Stop-work  | Table 13              |
| Clamping Equipments                                    | Table 14 up to 22, 52 |
| Loading Station  | Table 23 up to 25a    |
| Third Mark. Lamp                                       | Table 23              |
| Folding Equipments                                     | Table 26 up to 29     |
| Machine Head<br>935-246-41                             | Table 30 up to 39     |
| Table Plate,<br>Table Extensions                       | Table 40, 75          |
| Pneumatic Parts  | Table 41              |
| Distributor  | Table 42              |
| Control Instrument                                     | Table 43 up to 48     |
| Motor Parts  | Table 49              |
| Electric Parts   | Table 30, 50          |
| Accessories  | Table 51              |
| Automatic Feeding<br>Mechanism, right hand             | Table 53, 55          |
| Automatic Feeding<br>Mechanism, left hand              | Table 54, 56          |
| Feeding Mechanism, left<br>hand and right hand         | Table 57, 58, 59      |
| Stacker Parts  | Table 60, 61, 62      |
| Roll and Throw-Over Stacker                            | Table 63, 64, 65      |
| Clamping Device for Rear<br>Trousers and Pocket Bags   | Table 66, 67          |
| Pulling-Off Device                                     | Table 68, 69          |
| Stacker Supplement                                     | Table 65, 70, 71      |
| Pneumatic Bundle Clamp,<br>with Foot valve             | Table 72              |
| Automatic Tape Feeder and<br>Cutting Device            | Table 73, 74          |
| Set of Parts for<br>Breast Pocket Welts                | Table 76              |
| Smoothing Device                                       | Table 77              |
| Positioning Device for<br>Breast Pocket Welts          | Table 24, 78, 79, 80  |
| Set of Parts for<br>Piping Cutting                     | Table 81, 82          |
| Feeder for the<br>Piping Cutting Device                | Table 83, 84, 85      |
| Set of Parts „Two Pocket Bag<br>halves Above the Flap“ | Table 86              |
| Set of Parts, for left and right<br>hand zipper        | Table 87              |
| Rest-Thread Catcher for<br>under-threads               | Table 88              |
| Sewing Equipments                                      | Table 89 and Appendix |

DÜRKOPP ADLER 745-7

Gesamtansicht  
Total View

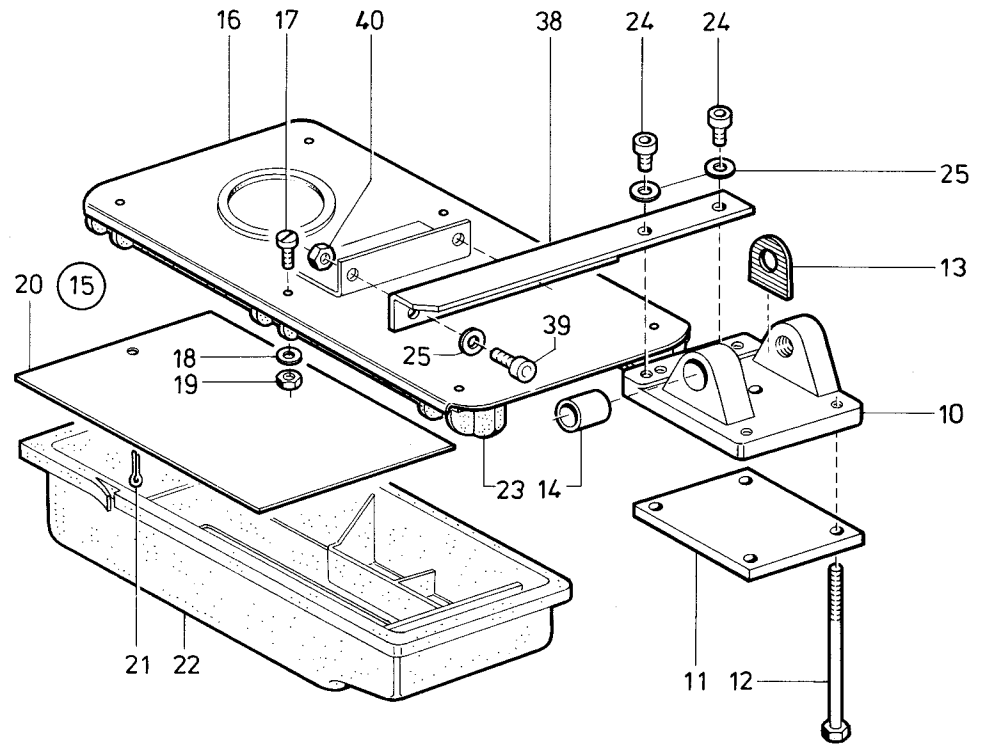
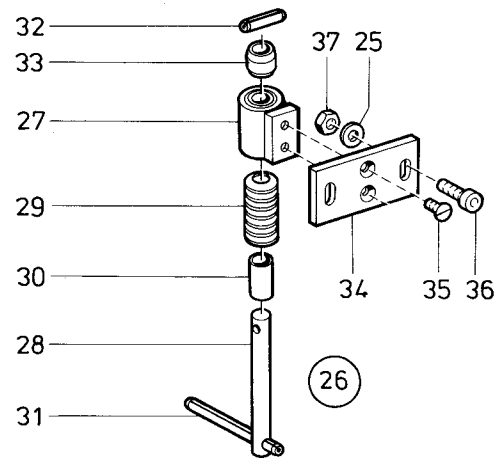
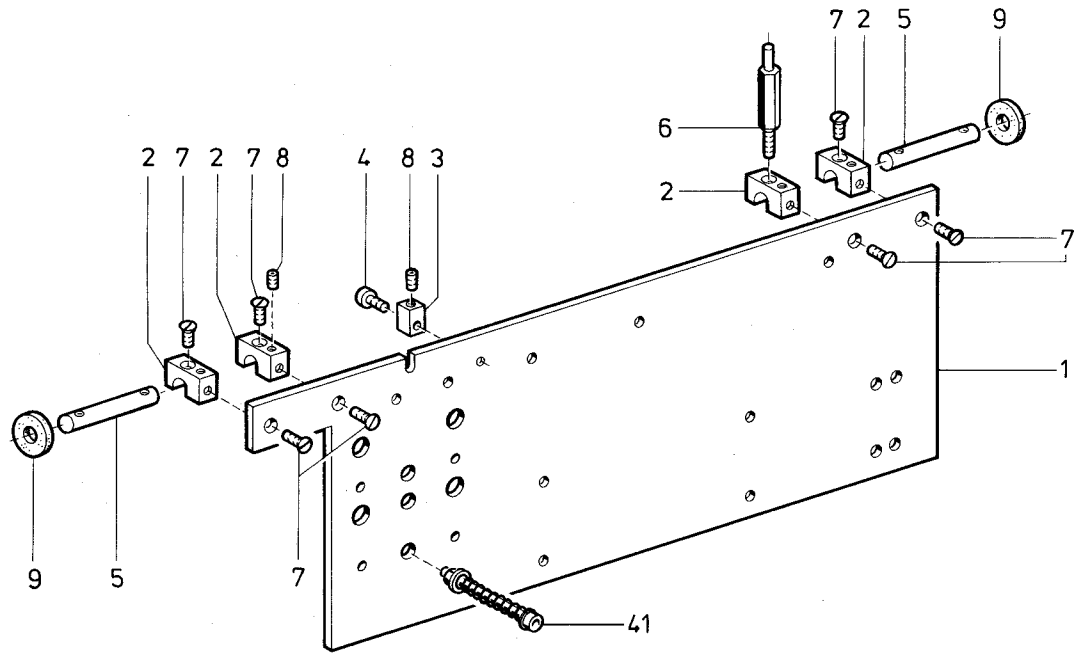




| Pos. Det. | Teile Nr. Part No. | Benennung           | Denomination          |
|-----------|--------------------|---------------------|-----------------------|
|           |                    | <b>Gestellteile</b> | <b>Mounting parts</b> |
| 1         | MG 50/1011         | Seitenteil          | Side part             |
| 2         | MG 50/2521         | Seitenteil          | Side part             |
| 3         | MG 50/2531         | Querverbindung      | Cross tie             |
| 4         | MG 41/1263         | 6kt.-Schraube       | Hexagonal screw       |
| 5         | 7425027            | Scheibe             | Washer                |
| 6         | MG 43/12           | Federring           | Spring ring           |
| 7         | MG 43/13           | 6kt.-Mutter         | Hexagonal nut         |
| 8         | MG 43/62           | Klemme              | Clamp                 |
| 9         | 7425098            | Zyl.-Schraube       | Cyl. head screw       |
| 10        | 72043              | Scheibe             | Washer                |
| 11        | 72042a             | 6kt.-Mutter         | Hexagonal nut         |
| 12        | 7462241            | Halteblech          | Holding plate         |
| 13        | MG 50/2554         | Fuß                 | Foot                  |
| 14        | MG 50/2551         | Ständer             | Stand                 |
| 15        | 74240121           | 6kt.-Schraube       | Hexagonal screw       |
| 16        | 7425110            | Federring           | Spring ring           |
| 17        | 7425110a           | 6kt.-Mutter         | Hexagonal nut         |
| 18        | 725497             | 6kt.-Schraube       | Hexagonal screw       |
| 19        | MG 43/14           | Scheibe             | Washer                |
| 20        | 911415             | Federring           | Spring ring           |
| 21        | MG 50/1151         | Querholm            | Cross bar             |
| 22        | MG 50/1152         | Querholm            | Cross bar             |
| 23        | MG 50/1153         | Querholm            | Cross bar             |
| 24        | MG 50/1161         | Längsholm           | Longitudinal bar      |
| 25        | MG 50/1162         | Längsholm           | Longitudinal bar      |
| 26        | MG 50/1171         | Stütze              | Supporting plate      |
| 27        | 7425098            | Zyl.-Schraube       | Cyl. head screw       |
| 28        | 725520b            | Federring           | Spring ring           |
| 29        | MG 50/1181         | Längsholm           | Longitudinal bar      |
| 30        | MG 50/1191         | Winkel              | Angle                 |
| 31        | 720127             | 6kt.-Schraube       | Hexagonal screw       |
| 32        | MG 50/1221         | Längsholm           | Longitudinal bar      |
| 33        | MG 50/1227         | Längsholm           | Longitudinal bar      |
| 34        | MG 50/1239         | Verbinder           | Connector             |
| 35        | MG 50/1240         | Lasche              | Shackle               |
| 36        | MG 50/1242         | Halter              | Carrier               |
| 37        | MG 50/1247         | Lagerbock           | Bearing block         |
| 38        | 74240189           | Gewindestift        | Threaded stud         |
| 39        | 911376             | Zyl.-Schraube       | Cyl. head screw       |
| 40        | MG 50/1261         | Halter              | Holder                |
| 41        | MG 50/1262         | Halter              | Holder                |
| 42        | 74241422           | Bolzen              | Bolt                  |
| 43        | 7443142            | Sicher.-Scheibe     | Lock washer           |

| Pos. Det. | Teile Nr. Part No. | Benennung   | Denomination  |
|-----------|--------------------|---|---|
| 44        | MG 50/1285         | Lagerbock   | Bearing block   |
| 45        | MG 50/1288         | Rohrverbinder   | Tube connector  |
| 46        | MG 50/1281         | Gewindestange kpl.<br>(mit Pos. 47)                   | Threaded rod cpl.<br>(with pos. 47)                       |
| 47        | MG 50/1283         | Kreuzgriff  | Cross handle  |
| 48        | 650353             | Sicher.-Scheibe                                       | Lock washer   |
| 49        | MG 4/6             | Scheibe   | Washer  |
| 50        | MG 50/1308         | Platte  | Plate   |
| 51        | MG 50/1303         | Bolzen  | Bolt  |
| 52        | 5571494a           | Holzschraube  | Wood screw  |
| 53        | 74656              | Schalldämpfer   | Silencer  |
| 54        | App. 20160         | 6kt.-Schraube   | Hexagonal screw   |
| 55        | 7441013            | Rohrverbinder   | Tube connector  |
| 56        | 720607             | 6kt.-Schraube   | Hexagonal screw   |
| 57        | MG 50/1351         | Winkel  | Angle   |
| 58        | 7461416            | 6kt.-Schraube   | Hexagonal screw   |
| 59        | 246984             | Zyl.-Schraube   | Cyl. head screw   |
| 60        | MG 50/1371         | Winkel  | Angle   |
| 61        | MG 50/1379         | Winkel  | Angle   |
| 65        | MG 50/1491         | Winkel  | Angle   |
| 66        | MG 43/2599         | Fußpedal  | Pedal   |
| 67        | MG 43/401          | Trittstange kpl.<br>(best. aus Pos. 68<br>bis 73, 94) | Connecting rod cpl.<br>(cons. of pos. 68 up<br>to 73, 94) |
| 68        | MG 43/402          | Stange  | Rod   |
| 69        | 211616             | Kugelpfanne   | Ball receiver   |
| 70        | MG 43/403          | Klemme  | Clamp   |
| 71        | MG 43/404          | 6kt.-Schraube   | Hexagonal screw   |
| 72        | MG 43/2510         | Scheibe   | Washer  |
| 73        | MG 43/409          | 6kt.-Mutter   | Hexagonal nut   |
| 74        | 7442013            | Zyl.-Schraube   | Cyl. head screw   |
| 75        | 570522             | Zyl.-Schraube   | Cyl. head screw   |
| 76        | MG 50/1271         | Winkel  | Angle   |
| 77        | 7442013            | Zyl.-Schraube   | Cyl. head screw   |
| 78        | 71811043           | Verschlußkappe  | Cap   |
| 79        | MG 50/4558         | Apparaterolle   | Roll  |
| 80        | 2492               | Zyl.-Schraube   | Cyl. head screw   |
| 81        | MG 50/4559         | Buchse  | Bush  |
| 82        | MG 50/4563         | Spezialschraube                                       | Special screw   |
| 83        | MG 50/4565         | Scheibe   | Washer  |
| 84        | MG 50/4567         | Spannhülse  | Clamping sleeve   |
| 85        | 2921229            | Sicher.-Ring  | Circlip   |
| 86        | 7002302            | Ablagekasten kpl.<br>(mit Pos. 93)                    | Wood box cpl.<br>(with pos. 93)                           |
| 87        | MG 50/1612         | Winkel  | Angle   |

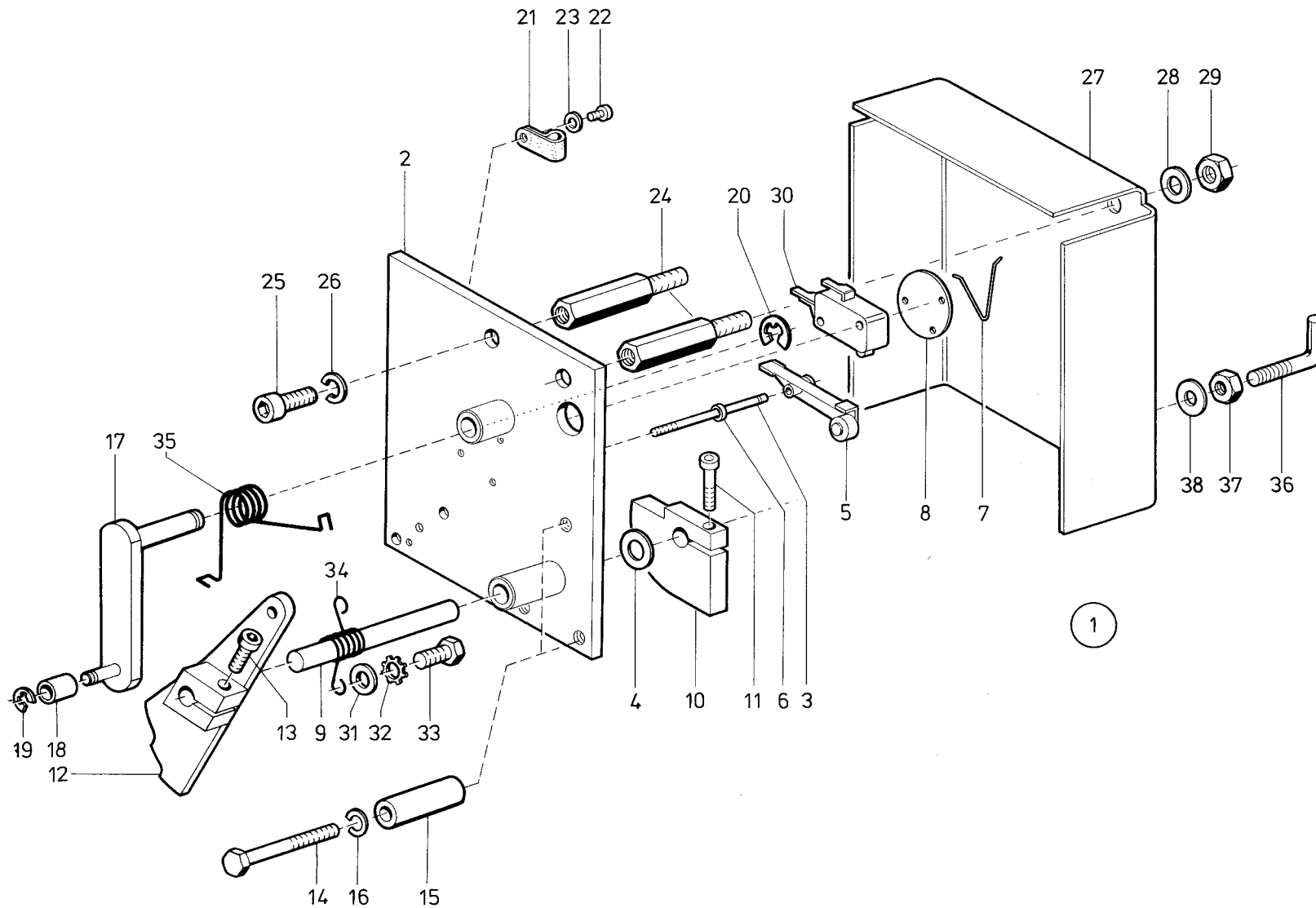
| Pos. Det. | Teile Nr. Part No. | Benennung     | Denomination      |
|-----------|--------------------|---------------|-------------------|
| 88        | MG 43/2509         | Blechschrabe  | Tin-plate screw   |
| 89        | 570939a            | Senkschraube  | Countersunk screw |
| 90        | 739163             | Scheibe       | Washer            |
| 91        | 739595             | Scheibe       | Washer            |
| 92        | 935625             | 6kt.-Mutter   | Hexagonal nut     |
| 93        | 7002304            | Einlage       | Rubber insert     |
| 94        | 5701220            | Kugelbolzen   | Ball pin          |
| 95        | P 121110           | 6kt.-Schraube | Hexagonal screw   |
| 96        | 211609             | Zahnscheibe   | Tooth lock washer |
| 97        | MG 43/2510         | Scheibe       | Washer            |
| 98        | 798700161          | Leitung       | Cable             |



| Pos. Det. | Teile Nr. Part No. | Benennung   | Denomination                                   |
|-----------|--------------------|---|--|
| 1         | MG 50/1347         | Platte kpl.<br>(mit Pos. 2 und 7)                 | Plate cpl.<br>(with pos. 2 and 7)              |
| 2         | MG 50/1334         | Bock  | Support  |
| 3         | MG 50/1335         | Bock  | Support  |
| 4         | 93311296           | Zyl.-Schraube                                     | Cyl. head screw                                |
| 5         | MG 50/1337         | Bolzen  | Bolt   |
| 6         | MG 50/1338         | Gewindebolzen                                     | Threaded bolt                                  |
| 7         | 55613153           | Senkschraube                                      | Countersunk screw                              |
| 8         | 74690312           | Gewindestift                                      | Threaded stud                                  |
| 9         | 746272             | Scheibe   | Washer   |
| 10        | MG 50/1392         | Motorträger                                       | Motor carrier                                  |
| 11        | MG 50/1393         | Platte  | Plate  |
| 12        | Z 112390           | 6kt.-Schraube                                     | Hexagonal screw                                |
| 13        | MG 50/1398         | Druckplatte                                       | Pressure plate                                 |
| 14        | MG 44/160          | Buchse  | Bush   |
| 15        | 741481k            | Schubkasten kpl.<br>(best. aus Pos. 16<br>bis 23) | Drawer cpl.<br>(cons. of pos. 16 up<br>to 23)  |
| 16        | 741481             | Deckblech   | Cover plate                                    |
| 17        | MG 43/80           | Zyl.-Schraube                                     | Cyl. head screw                                |
| 18        | 70048              | Scheibe   | Washer   |
| 19        | MG 43/82           | 6kt.-Mutter                                       | Hexagonal nut                                  |
| 20        | 70045              | Ablageblech                                       | Deposit plate                                  |
| 21        | 5571219            | Splint  | Split pin                                      |
| 22        | 70043              | Schubkasten                                       | Drawer   |
| 23        | 70044              | Leiste  | Reglet   |
| 24        | 7441107            | Zyl.-Schraube                                     | Cyl. head screw                                |
| 25        | 72043              | Scheibe   | Washer   |
| 26        | MG 50/1442         | Raste kpl.<br>(best. aus Pos. 27<br>bis 33)       | Ratchet cpl.<br>(cons. of pos. 27 up<br>to 33) |
| 27        | 746265             | Lagerbock   | Bearing block                                  |
| 28        | MG 50/1444         | Bolzen  | Bolt   |
| 29        | 21127              | Tellerfeder                                       | Cup spring                                     |
| 30        | 93320251           | Buchse  | Bush   |
| 31        | 74240297           | Spannhülse  | Clamping sleeve                                |
| 32        | 74240296           | Spannhülse  | Clamping sleeve                                |
| 33        | 74240298           | Konus   | Kone   |
| 34        | MG 50/1452         | Platte  | Plate  |
| 35        | 211249             | Senkschraube                                      | Countersunk screw                              |
| 36        | 7425098            | Zyl.-Schraube                                     | Cyl. head screw                                |
| 37        | 72042a             | 6kt.-Mutter                                       | Hexagonal nut                                  |
| 38        | MG 50/1403         | Winkel  | Angle  |
| 39        | 7425098            | Zyl.-Schraube                                     | Cyl. head screw                                |
| 40        | 72042a             | 6kt.-Mutter                                       | Hexagonal nut                                  |

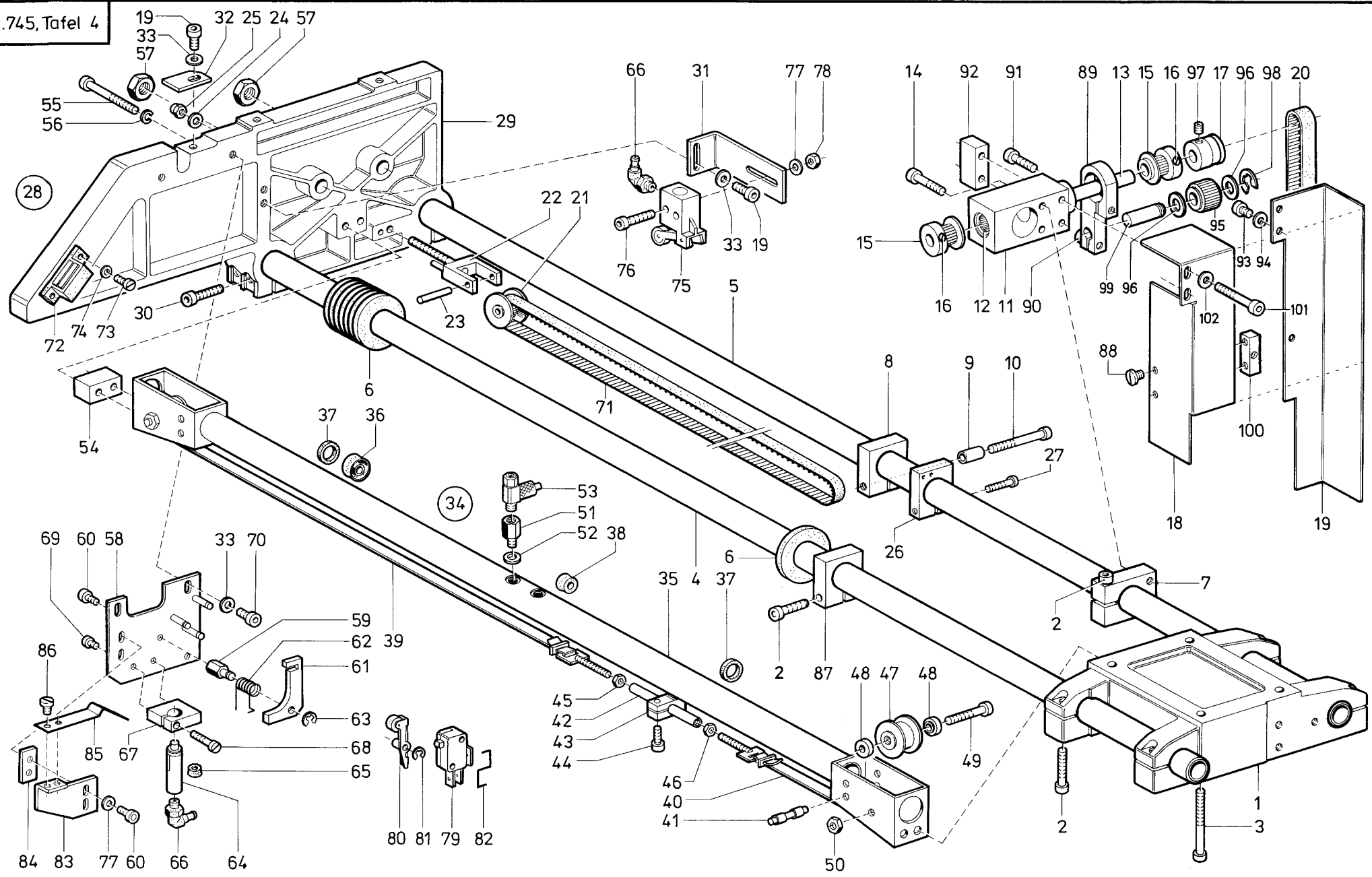
| Pos. Det. | Teile Nr. Part No. | Benennung        | Denomination     |
|-----------|--------------------|------------------|------------------|
| 41        | 7927771            | Federbolzen kpl. | Spring bolt cpl. |

| Pos. Det. | Teile Nr. Part No. | Benennung | Denomination |
|-----------|--------------------|-----------|--------------|
|-----------|--------------------|-----------|--------------|





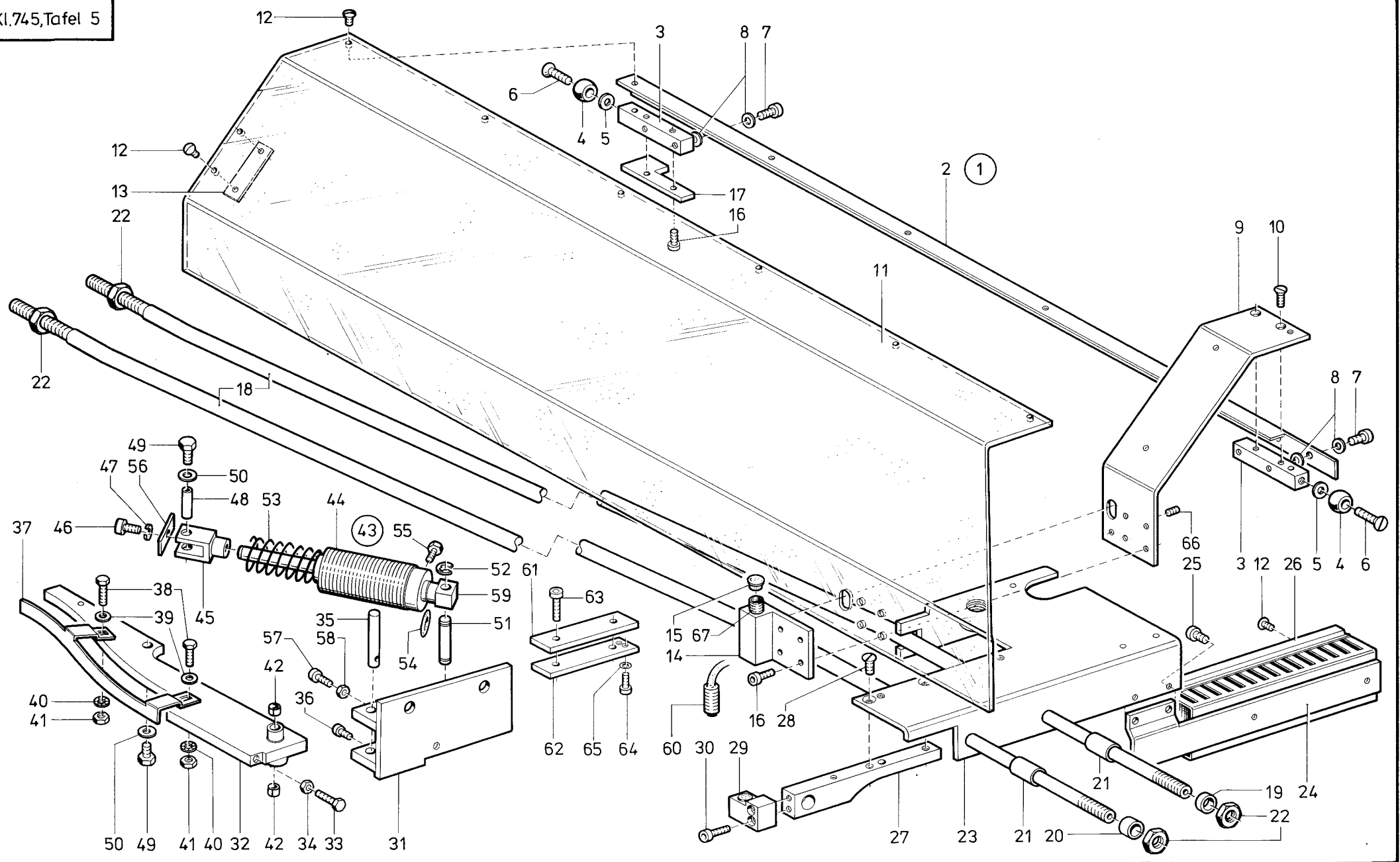




| Pos. Det. | Teile Nr. Part No. | Benennung  | Denomination  |
|-----------|--------------------|--|---|
| 1         | 7925014            | Lagerbock  | Bearing block   |
| 2         | 2124882            | Zyl.-Schraube  | Cyl. head screw   |
| 3         | 5701368            | Zyl.-Schraube  | Cyl. head screw   |
| 4         | 7925021            | Welle  | Shaft   |
| 5         | 7925022            | Welle  | Shaft   |
| 6         | 74241326           | Ring   | Ring  |
| 7         | 7925041            | Klemmstück kpl. (mit Pos. 2)                                       | Clamping piece cpl. (with pos. 2)                                       |
| 8         | 7925045            | Klemmstück kpl. (mit Pos. 9 und 10)                                | Clamping piece cpl. (with pos. 9 and 10)                                |
| 9         | 558312a            | Buchse   | Bush  |
| 10        | 7461077            | Zyl.-Schraube  | Cyl. head screw   |
| 11        | 7925051            | Lagerbock kpl. (mit Pos. 12)                                       | Bearing block cpl. (with pos. 12)                                       |
| 12        | 7925054            | Nadellager   | Needle bearing  |
| 13        | 7925056            | Welle  | Shaft   |
| 14        | 558312             | Zyl.-Schraube  | Cyl. head screw   |
| 15        | 7926058            | Ritzel kpl. (mit Pos. 16)  | Pinion cpl. (with pos. 16)  |
| 16        | 935410             | Gewindestift   | Threaded stud   |
| 17        | 7925073            | Buchse kpl. (mit Pos. 97)  | Bush cpl. (with pos. 97)  |
| 18        | 7925101            | Schutzblech  | Guard plate   |
| 19        | 7925107            | Schutzblech  | Guard plate   |
| 20        | 7926148            | Zahnriemen   | Toothed belt  |
| 21        | 7925085            | Ritzel   | Pinion  |
| 22        | 7925091            | Gabel  | Fork  |
| 23        | 74241349           | Lagernadel   | Bearing needle  |
| 24        | 557263             | Scheibe  | Washer  |
| 25        | 793316             | 6kt.-Mutter  | Hexagonal nut   |
| 26        | 7925111            | Klemmstück kpl. (mit Pos. 27)                                      | Clamping piece cpl. (with pos. 27)                                      |
| 27        | 7461212            | Zyl.-Schraube  | Cyl. head screw   |
| 28        | 7925121            | Klemmblock kpl. (best. aus Pos. 29, 30, 31, 32, 33, 19, 58 bis 70) | Clamping block cpl. (cons. of pos. 29, 30, 31, 32, 33, 19, 58 up to 70) |
| 29        | 7925123            | Klemmbock  | Clamping block  |
| 30        | 5701594            | Zyl.-Schraube  | Cyl. head screw   |
| 31        | 7925127            | Winkel   | Angle   |
| 32        | 7925128            | Anschlag   | Stop  |
| 33        | 74450243           | Scheibe  | Washer  |
| 34        | 7925271            | Zylinder kpl. (best. aus Pos. 35 bis 52)                           | Cylinder cpl. (cons. of pos. 35 up to 52)                               |

| Pos. Det. | Teile Nr. Part No. | Benennung                     | Denomination                       |
|-----------|--------------------|-------------------------------|------------------------------------|
| 35        | 7925273            | Zylinderrohr                  | Cylinder tube                      |
| 36        | 7461547            | Lippenring                    | Lip seal                           |
| 37        | 0020083083325      | Filtzteil                     | Felt                               |
| 38        | 74241517           | Lippenring                    | Lip seal                           |
| 39        | 79220315           | Kolben kpl. (Linksgewinde)    | Piston cpl. (left hand thread)     |
| 40        | 79220318           | Kolben kpl. (Rechtsgewinde)   | Piston kpl. (right hand thread)    |
| 41        | 74241545           | Stift                         | Pin                                |
| 42        | 74241546           | Gewindebuchse                 | Threaded bush                      |
| 43        | 74241547           | Lagerbock                     | Bearing block                      |
| 44        | 93370175           | Zyl.-Schraube                 | Cyl. head screw                    |
| 45        | 558101             | 6kt.-Mutter                   | Hexagonal nut                      |
| 46        | 74450244           | 6kt.-Mutter                   | Hexagonal nut                      |
| 47        | 74241551           | Rolle                         | Roll                               |
| 48        | 74241555           | Buchse                        | Bush                               |
| 49        | P 12547            | Zyl.-Schraube                 | Cyl. head screw                    |
| 50        | 74450244           | 6kt.-Mutter                   | Hexagonal nut                      |
| 51        | 7972646            | Anschl.-Stück                 | Joining piece                      |
| 52        | 74241533           | Scheibe                       | Washer                             |
| 53        | 797411             | Drosselventil                 | Throttle valve                     |
| 54        | 7925335            | Leiste                        | Reglet                             |
| 55        | P 12162            | Zyl.-Schraube                 | Cyl. head screw                    |
| 56        | 7441426            | Federring                     | Spring ring                        |
| 57        | 55614146           | 6 kt.-Mutter                  | Hexagonal nut                      |
| 58        | 7925752            | Platte                        | Plate                              |
| 59        | 7925757            | Bolzen                        | Bolt                               |
| 60        | 7461033            | Zyl.-Schraube                 | Cyl. head screw                    |
| 61        | 7925761            | Hebel                         | Lever                              |
| 62        | 7925762            | Drehfeder                     | Torsion spring                     |
| 63        | 211100a            | Sicher.-Scheibe               | Lock washer                        |
| 64        | 246968             | Zylinder kpl. (mit Pos. 65)   | Cylinder cpl. (with pos. 65)       |
| 65        | 55614030           | Lippenring                    | Lip seal                           |
| 66        | 797411             | Drosselventil                 | Throttle valve                     |
| 67        | 7925766            | Klemmstück kpl. (mit Pos. 68) | Clamping piece cpl. (with pos. 68) |
| 68        | 74420778           | Zyl.-Schraube                 | Cyl. head screw                    |
| 69        | 246360             | Zyl.-Schraube                 | Cyl. head screw                    |
| 70        | 7441509            | Zyl.-Schraube                 | Cyl. head screw                    |
| 71        | 7925081            | Zahnriemen                    | Toothed belt                       |
| 72        | 7925731            | Magnethalter                  | Magnet holder                      |
| 73        | 1001360            | Zyl.-Schraube                 | Cyl. head screw                    |
| 74        | 1005233            | Scheibe                       | Washer                             |
| 75        | Z 112611           | 3/2-Wege-Ventil               | 3/2-Distributor valve              |

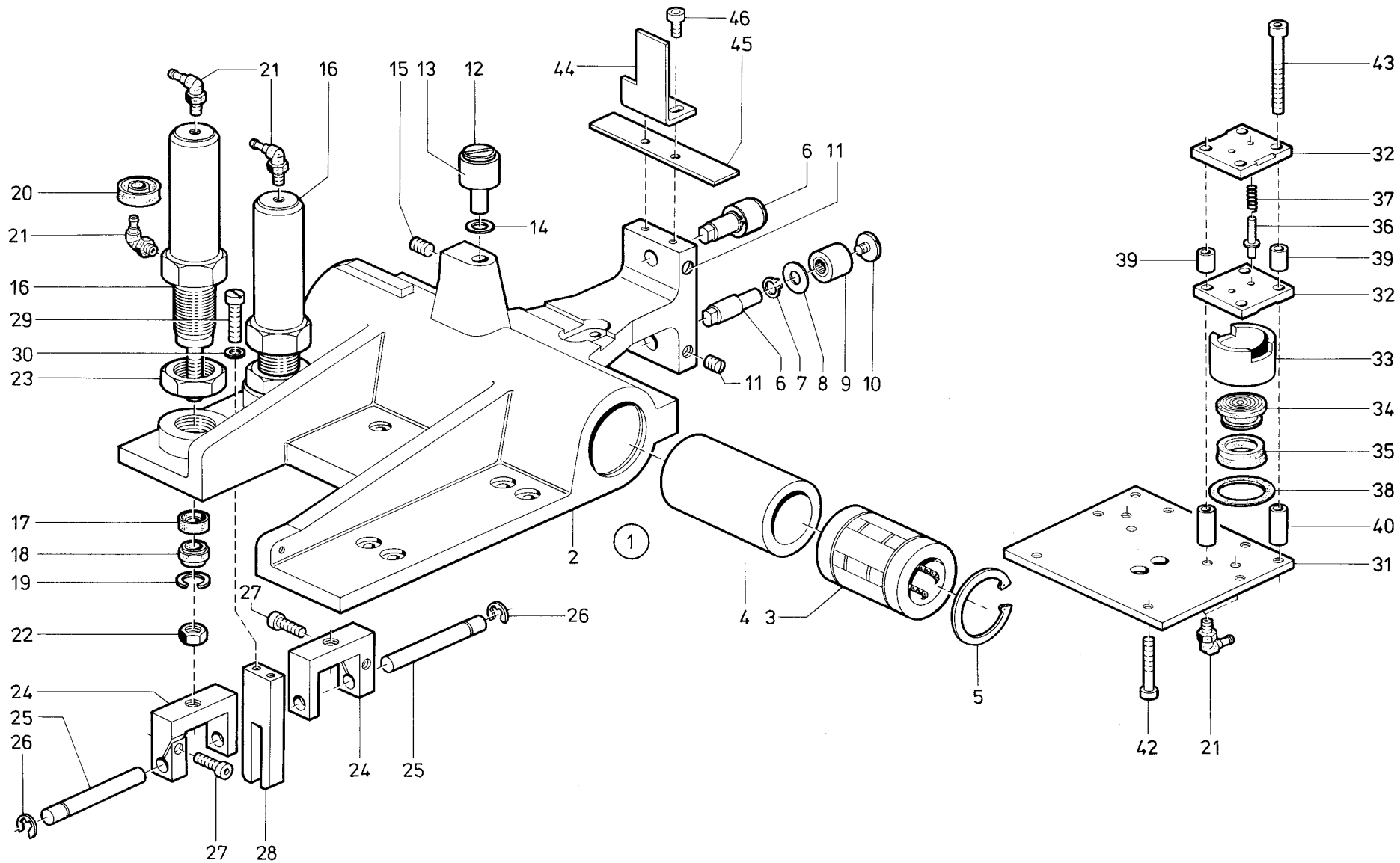
| Pos. Det. | Teile Nr. Part No. | Benennung                            | Denomination                              |
|-----------|--------------------|--------------------------------------|---|
| 76        | Z 111162           | Zyl.-Schraube                        | Cyl. head screw                           |
| 77        | 798795             | Scheibe                              | Washer                                    |
| 78        | 202704             | 6kt.-Mutter                          | Hexagonal nut                             |
| 79        | 739878             | Mikroschalter                        | Micro switch                              |
| 80        | 7463259            | Gelenkhebel                          | Articulated lever                         |
| 81        | 10019228           | Sicher.-Scheibe                      | Lock washer                               |
| 82        | 74221574           | Draht                                | Wire                                      |
| 83        | 7925781            | Winkel                               | Angle                                     |
| 84        | 5701228            | Gewindelasche                        | Threaded shackle                          |
| 85        | 7925782            | Blattfeder                           | Leaf spring                               |
| 86        | 223723             | Zyl.-Schraube                        | Cyl. head screw                           |
| 87        | 7925049            | Klemmstück kpl. (mit Pos. 2)         | Clamping piece cpl. (with pos. 2)         |
| 88        | 10019148           | Linsenschraube                       | Fillister head screw                      |
| 89        | 7925061            | Klemmstück kpl. (mit Pos. 90 und 91) | Clamping piece cpl. (with pos. 90 and 91) |
| 90        | 93311296           | Zyl.-Schraube                        | Cyl. head screw                           |
| 91        | 2386530            | Zyl.-Schraube                        | Cyl. head screw                           |
| 92        | 7925102            | Kloben                               | Block                                     |
| 93        | 265565             | Zyl.-Schraube                        | Cyl. head screw                           |
| 94        | 74450243           | Scheibe                              | Washer                                    |
| 95        | 7925066            | Ritzel                               | Pinion                                    |
| 96        | 291347             | Scheibe                              | Washer                                    |
| 97        | 244700             | Gewindestift                         | Threaded stud                             |
| 98        | 216656             | Sicher.-Scheibe                      | Lock washer                               |
| 99        | 7925068            | Bolzen                               | Bolt                                      |
| 100       | 7925103            | Kloben                               | Block                                     |
| 101       | P 12162            | Zyl.-Schraube                        | Cyl. head screw                           |
| 102       | 74450243           | Scheibe                              | Washer                                    |



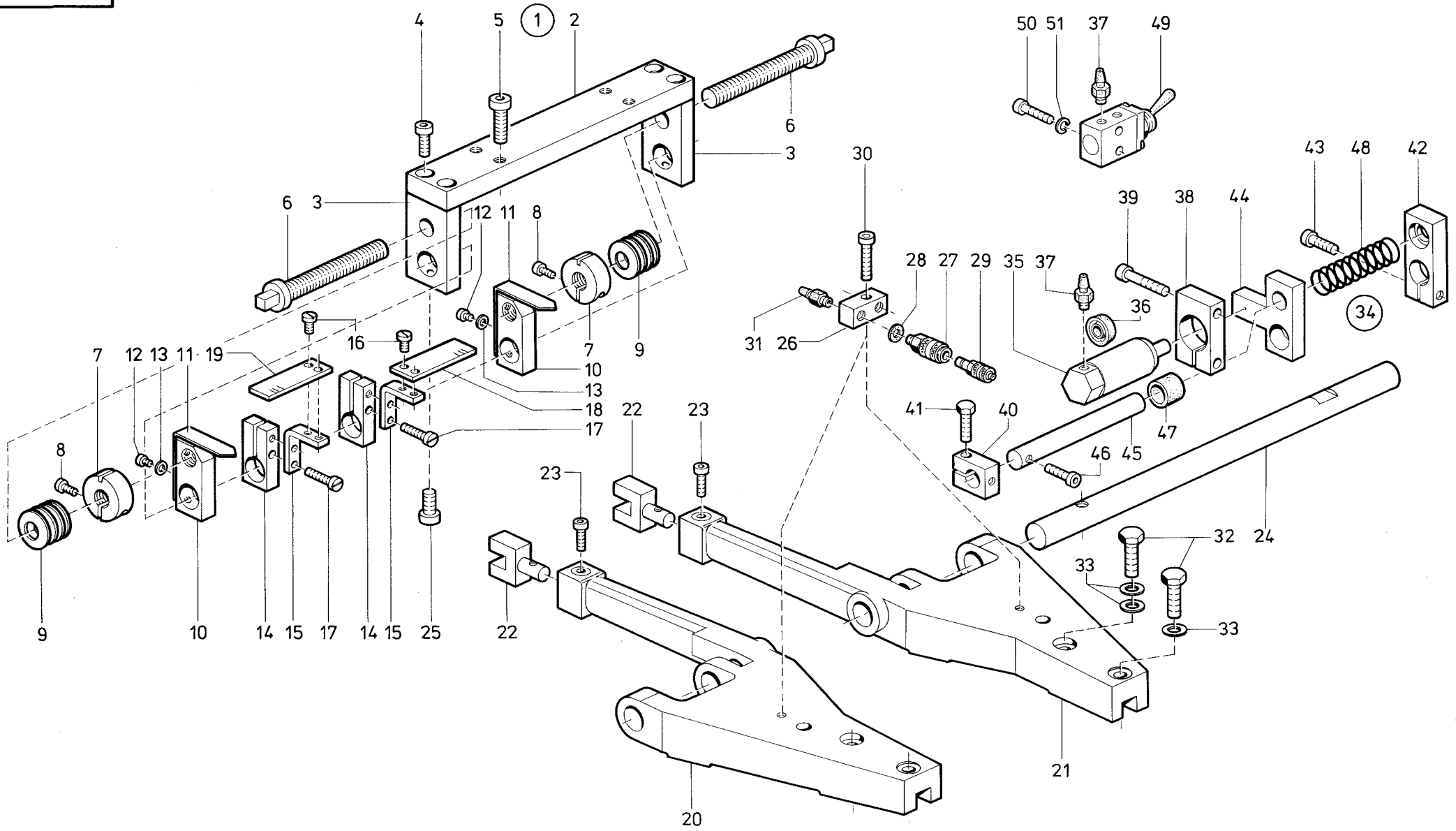
| Pos. Det. | Teile Nr. Part No. | Benennung                                     | Denomination                                    |
|-----------|--------------------|---|---|
| 1         | 7925701            | Abdeckhaube kpl.<br>(best. aus Pos. 2 bis 17) | Covering cap cpl.<br>(cons. of pos. 2 up to 17) |
| 2         | 7925703            | Leiste  | Reglet  |
| 3         | 7925706            | Halter  | Holder  |
| 4         | 93379123           | Rolle   | Roll  |
| 5         | 739595             | Scheibe                                       | Washer  |
| 6         | 5702382            | Senkschraube                                  | Countersunk screw                               |
| 7         | 265565             | Zyl.-Schraube                                 | Cyl. head screw                                 |
| 8         | 74450243           | Scheibe                                       | Washer  |
| 9         | 7925714            | Winkel  | Angle   |
| 10        | 90297              | Senkschraube                                  | Countersunk screw                               |
| 11        | 7925717            | Abdeckhaube                                   | Covering cap                                    |
| 12        | 10019130           | Linsenschraube                                | Fillister head screw                            |
| 13        | 7925720            | Lasche  | Shackle   |
| 14        | 7925721            | Halter  | Holding device                                  |
| 15        | 911150             | Verschlußkappe                                | Cap   |
| 16        | 7441968            | Zyl.-Schraube                                 | Cyl. head screw                                 |
| 17        | 7925729            | Anschlag                                      | Stop  |
| 18        | 7925141            | Strebe  | Prop  |
| 19        | 74241385           | Buchse  | Bush  |
| 20        | 965298             | Buchse  | Bush  |
| 21        | 74241387           | Buchse  | Bush  |
| 22        | 55614146           | 6kt.-Mutter                                   | Hexagonal nut                                   |
| 23        | 7925150            | Haltewinkel                                   | Holding angle                                   |
| 24        | 7925153            | Halter  | Carrier   |
| 25        | 746879             | Zyl.-Schraube                                 | Cyl. head screw                                 |
| 26        | 798200136          | Kabelkanal                                    | Cable duct                                      |
| 27        | 7925161            | Halter  | Carrier   |
| 28        | 5692900            | Senkschraube                                  | Countersunk screw                               |
| 29        | 7925165            | Anschlag                                      | Stop block                                      |
| 30        | 74420778           | Zyl.-Schraube                                 | Cyl. head screw                                 |
| 31        | 74241392           | Platte  | Plate   |
| 32        | 74241397           | Bremskeil kpl.<br>(mit Pos. 42)               | Brake block cpl.<br>(with pos. 42)              |
| 33        | 702604             | 6kt.-Schraube                                 | Hexagonal screw                                 |
| 34        | 74450244           | 6kt.-Mutter                                   | Hexagonal nut                                   |
| 35        | 74241404           | Bolzen  | Bolt  |
| 36        | 570912             | Zyl.-Schraube                                 | Cyl. head screw                                 |
| 37        | 74241406           | Führungsblech                                 | Guide rail                                      |
| 38        | 5562622            | 6kt.-Schraube                                 | Hexagonal screw                                 |
| 39        | 798795             | Scheibe                                       | Washer  |
| 40        | 911267             | Zahnscheibe                                   | Tooth lock washer                               |
| 41        | 202704             | 6kt.-Mutter                                   | Hexagonal nut                                   |
| 42        | NBO/2431           | Buchse  | Bush  |

| Pos. Det. | Teile Nr. Part No. | Benennung   | Denomination  |
|-----------|--------------------|---|---|
| 43        | 74241412           | Stoßdämpfer kpl.<br>(best. aus Pos. 44, 45, 46, 47, 53, 54, 56) | Shock absorber cpl.<br>(cons. of pos. 44, 45, 46, 47, 53, 54, 56) |
| 44        | 74241414           | Stoßdämpfer   | Shock absorber  |
| 45        | 74241415           | Gabel   | Fork  |
| 46        | 7441968            | Zyl.-Schraube   | Cyl. head screw   |
| 47        | 5561075            | Federring   | Spring ring   |
| 48        | 94357              | Bolzen  | Bolt  |
| 49        | 914330             | 6kt.-Schraube   | Hexagonal screw   |
| 50        | 55890              | Scheibe   | Washer  |
| 51        | 74241422           | Bolzen  | Bolt  |
| 52        | 7443142            | Sicher.-Scheibe   | Lock washer   |
| 53        | 74241414a          | Druckfeder  | Pressure spring   |
| 54        | 9335660            | Gummiring   | Rubber ring   |
| 55        | 556387             | 6kt.-Schraube   | Hexagonal screw   |
| 56        | 74241415a          | Blech   | Plate   |
| 57        | 5701392            | Zyl.-Schraube   | Cyl. head screw   |
| 58        | MG 43/409          | 6kt.-Mutter   | Hexagonal nut   |
| 59        | 74241418           | Kloben  | Block   |
| 60        | 798361031          | Empfänger   | Light barrier (receiver)  |
| 61        | 7925922            | Lasche  | Shackle   |
| 62        | 7925923            | Lasche  | Shackle   |
| 63        | 7422036            | Zyl.-Schraube   | Cyl. head screw   |
| 64        | 10019162           | Zyl.-Schraube   | Cyl. head screw   |
| 65        | 1005233            | Scheibe   | Washer  |
| 66        | 7461315            | Gewindestift  | Threaded stud   |
| 67        | 7925724            | Gewindebuchse   | Threaded bush   |

| Pos. Det. | Teile Nr. Part No. | Benennung | Denomination |
|-----------|--------------------|-----------|--------------|
|-----------|--------------------|-----------|--------------|

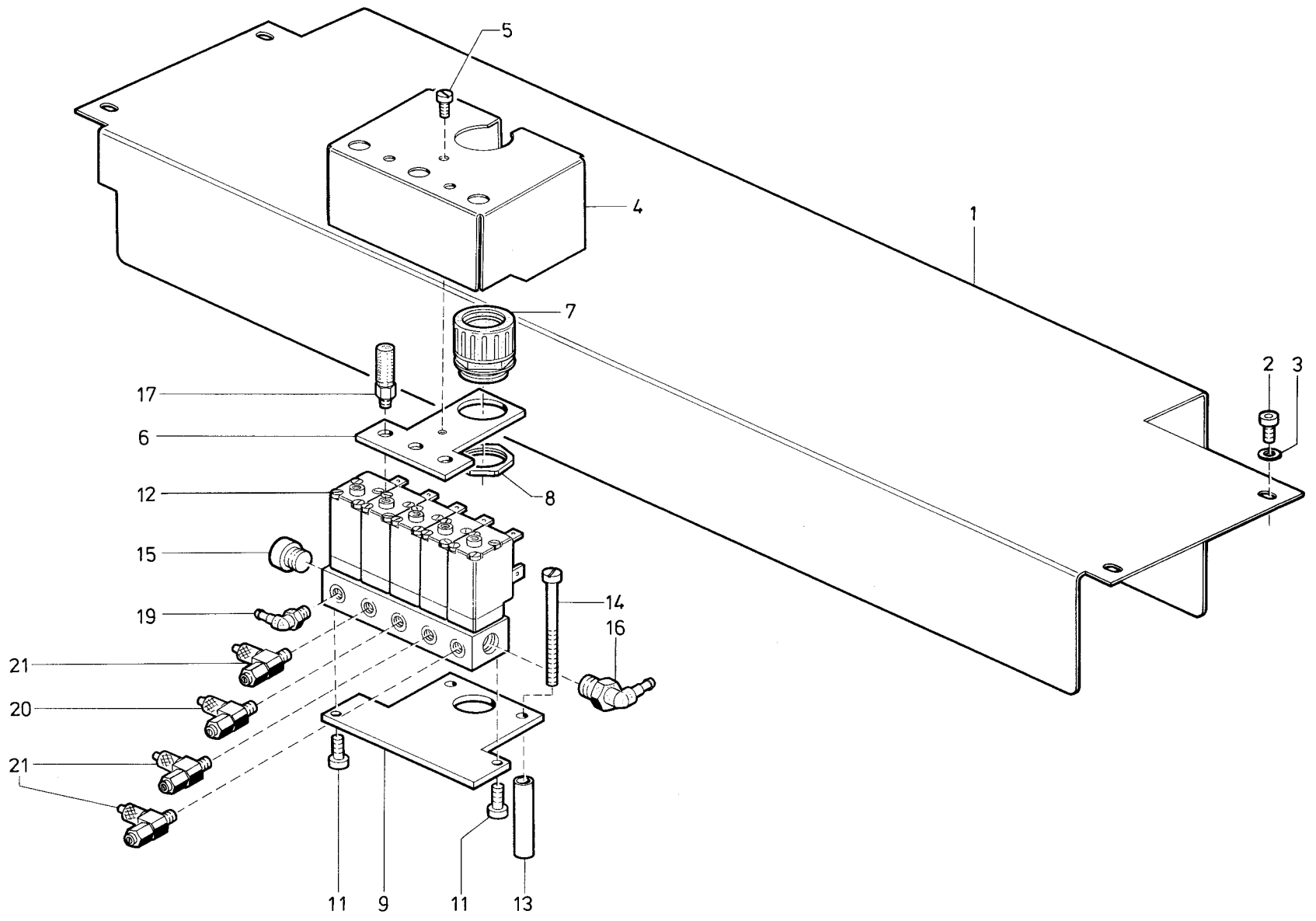




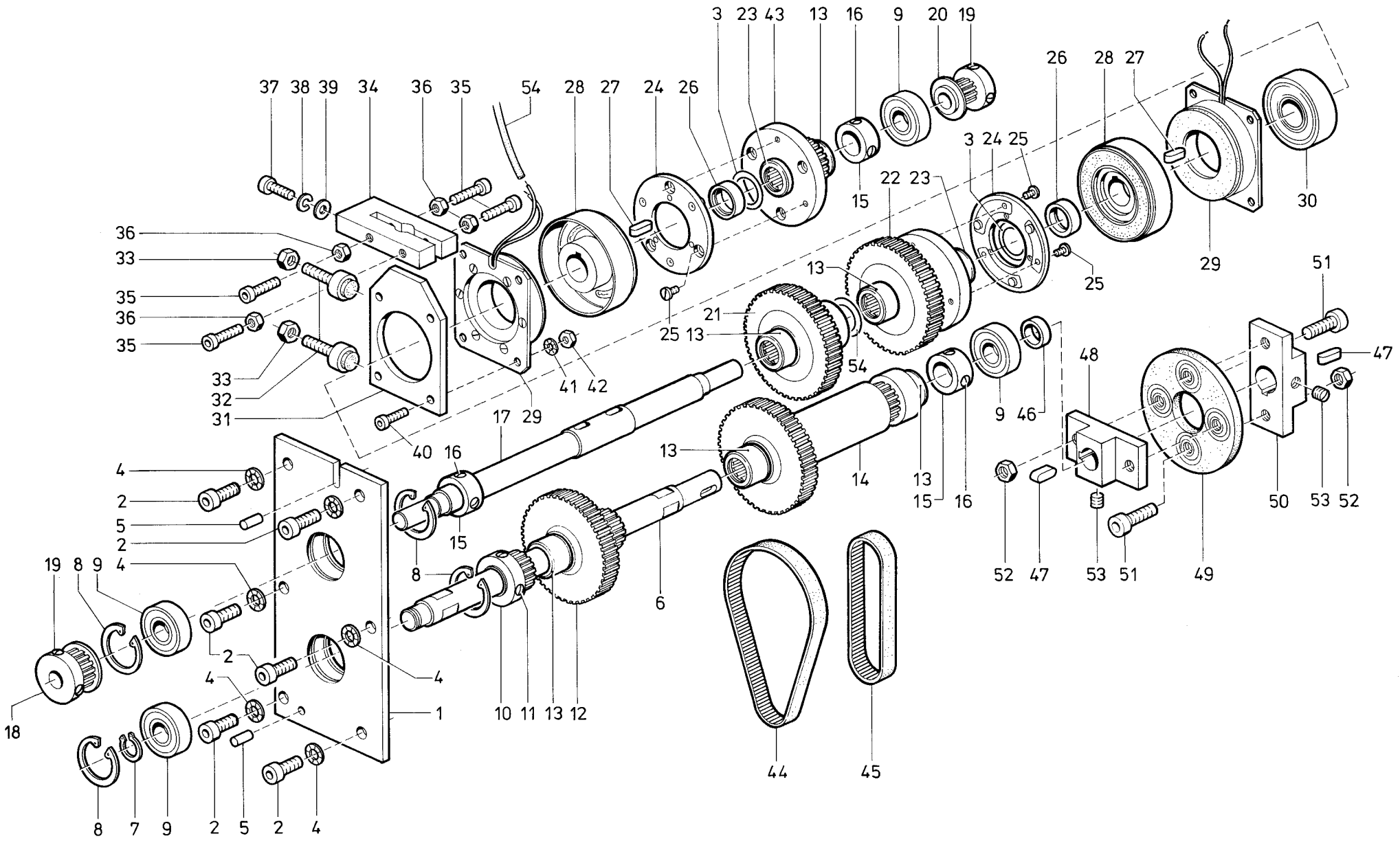


| Pos. Det. | Teile Nr. Part No. | Benennung                                  | Denomination                                 | Pos. Det. | Teile Nr. Part No. | Benennung   | Denomination   | Pos. Det. | Teile Nr. Part No. | Benennung | Denomination |
|-----------|--------------------|--|--|-----------|--------------------|---|--|-----------|--------------------|-----------|--------------|
| 1         | 7925541            | Lagerbock kpl.<br>(best. aus Pos. 2, 3, 4) | Pillow block cpl.<br>(cons. of pos. 2, 3, 4) | 21        | 7925596            | Klammerarm, rechts  | Cramp arm, right hand  |           |                    |           |              |
| 2         | 7925542            | Leiste                                     | Reglet                                       | 22        | 7925601            | Gabelkopf   | Fork head  |           |                    |           |              |
| 3         | 7925543            | Lagerbock                                  | Pillow block                                 | 23        | 7441968            | Zyl.-Schraube   | Cyl. head screw  |           |                    |           |              |
| 4         | 7441509            | Zyl.-Schraube                              | Cyl. head screw                              | 24        | 7461903            | Achse   | Axle   |           |                    |           |              |
| 5         | 7441236            | Zyl.-Schraube                              | Cyl. head screw                              | 25        | 74240277           | Zyl.-Schraube   | Cyl. head screw  |           |                    |           |              |
| 6         | 746732             | 4kt.-Schraube                              | Square screw                                 | 26        | 74640376           | Anschlußstück   | Coupling piece   |           |                    |           |              |
| 7         | 746737a            | Mutter kpl.<br>(mit Pos. 8)                | Nut cpl.<br>(with pos. 8)                    | 27        | 74640378           | Kuppl.-Dose   | Coupling socket  |           |                    |           |              |
| 8         | 933335             | Zyl.-Schraube                              | Cyl. head screw                              | 28        | 74242167           | Dichtung  | Gasket   |           |                    |           |              |
| 9         | 7391108            | Tellerfeder                                | Cup spring                                   | 29        | 74640379           | Kuppl.-Stecker  | Coupler plug   |           |                    |           |              |
| 10        | 746731             | Einstellstück                              | Adjusting piece                              | 30        | 93370175           | Zyl.-Schraube   | Cyl. head screw  |           |                    |           |              |
| 11        | 7925562            | Zeiger                                     | Tongue                                       | 31        | 7972016            | Schlauchtülle   | Hose nozzle  |           |                    |           |              |
| 12        | 216508             | Zyl.-Schraube                              | Cyl. head screw                              | 32        | 719127             | 6kt.-Schraube   | Hexagonal screw  |           |                    |           |              |
| 13        | 1005233            | Scheibe                                    | Washer                                       | 33        | 557263             | Scheibe   | Washer   |           |                    |           |              |
| 14        | 7925571            | Klemmstück kpl.<br>(mit Pos. 15 und 17)    | Clamping piece cpl.<br>(with pos. 15 and 17) | 34        | 7925941            | Klammer-Schnell-<br>verstellung kpl.<br>(best. aus Pos. 35<br>bis 51) | Clamp quick adjust-<br>ment cpl.<br>(cons. of pos. 35 up<br>to 51) |           |                    |           |              |
| 15        | 7925573            | Winkel                                     | Angle  | 35        | 7925944            | Zylinder kpl.<br>(mit Pos. 36)  | Cylinder cpl.<br>(with pos. 36)                                    |           |                    |           |              |
| 16        | 223700             | Zyl.-Schraube                              | Cyl. head screw                              | 36        | 2462566            | Lippenring  | Lip seal   |           |                    |           |              |
| 17        | 933182             | Zyl.-Schraube                              | Cyl. head screw                              | 37        | 7972016            | Schlauchtülle   | Hose nozzle  |           |                    |           |              |
| 18        | 7925582            | Skalablech, rechts                         | Scale plate, right hand                      | 38        | 7925951            | Klemmstück kpl.<br>(mit Pos. 39)                                      | Clamping piece cpl.<br>(with pos. 39)                              |           |                    |           |              |
|           | 7925584            | Skalablech, rechts                         | Scale plate, right hand                      | 39        | 902380             | Zyl.-Schraube   | Cyl. head screw  |           |                    |           |              |
|           | 7925586            | Skalablech, rechts                         | Scale plate, right hand                      | 40        | 7925958            | Klemmstück kpl.<br>(mit Pos. 41)                                      | Clamping piece cpl.<br>(with pos. 41)                              |           |                    |           |              |
|           | 7925588            | Skalablech, rechts                         | Scale plate, right hand                      | 41        | 2658878            | 6kt.-Schraube   | Hexagonal screw  |           |                    |           |              |
|           | 7925590            | Skalablech, rechts                         | Scale plate, right hand                      | 42        | 7925954            | Klemmstück kpl.<br>(mit Pos. 43)                                      | Clamping piece cpl.<br>(with pos. 43)                              |           |                    |           |              |
|           | 7925594            | Skalablech, rechts                         | Scale plate, right hand                      | 43        | P 12110            | Zyl.-Schraube   | Cyl. head screw  |           |                    |           |              |
|           | 7925594            | Skalablech, rechts                         | Scale plate, right hand                      | 44        | 7925961            | Führung   | Guide  |           |                    |           |              |
|           | 7925581            | Skalablech, links                          | Scale plate, left hand                       | 45        | 7925963            | Achse   | Axle   |           |                    |           |              |
|           | 7925583            | Skalablech, links                          | Scale plate, left hand                       | 46        | 7461212            | Zyl.-Schraube   | Cyl. head screw  |           |                    |           |              |
|           | 7925585            | Skalablech, links                          | Scale plate, left hand                       | 47        | 7925965            | Buchse  | Bush   |           |                    |           |              |
|           | 7925587            | Skalablech, links                          | Scale plate, left hand                       | 48        | 7925966            | Druckfeder  | Pressure spring  |           |                    |           |              |
|           | 7925589            | Skalablech, links                          | Scale plate, left hand                       | 49        | 797111             | Ventil  | Valve  |           |                    |           |              |
|           | 7925593            | Skalablech, links                          | Scale plate, left hand                       | 50        | 7422036            | Zyl.-Schraube   | Cyl. head screw  |           |                    |           |              |
|           | 7925595            | Klammerarm, links                          | Cramp arm, left hand                         |           | 71810508           | Zyl.-Schraube<br>für 2 Ventile  | Cyl. head screw<br>for two valves                                  |           |                    |           |              |
|           |                    |  |  | 51        | 5561075            | Federring   | Spring ring  |           |                    |           |              |





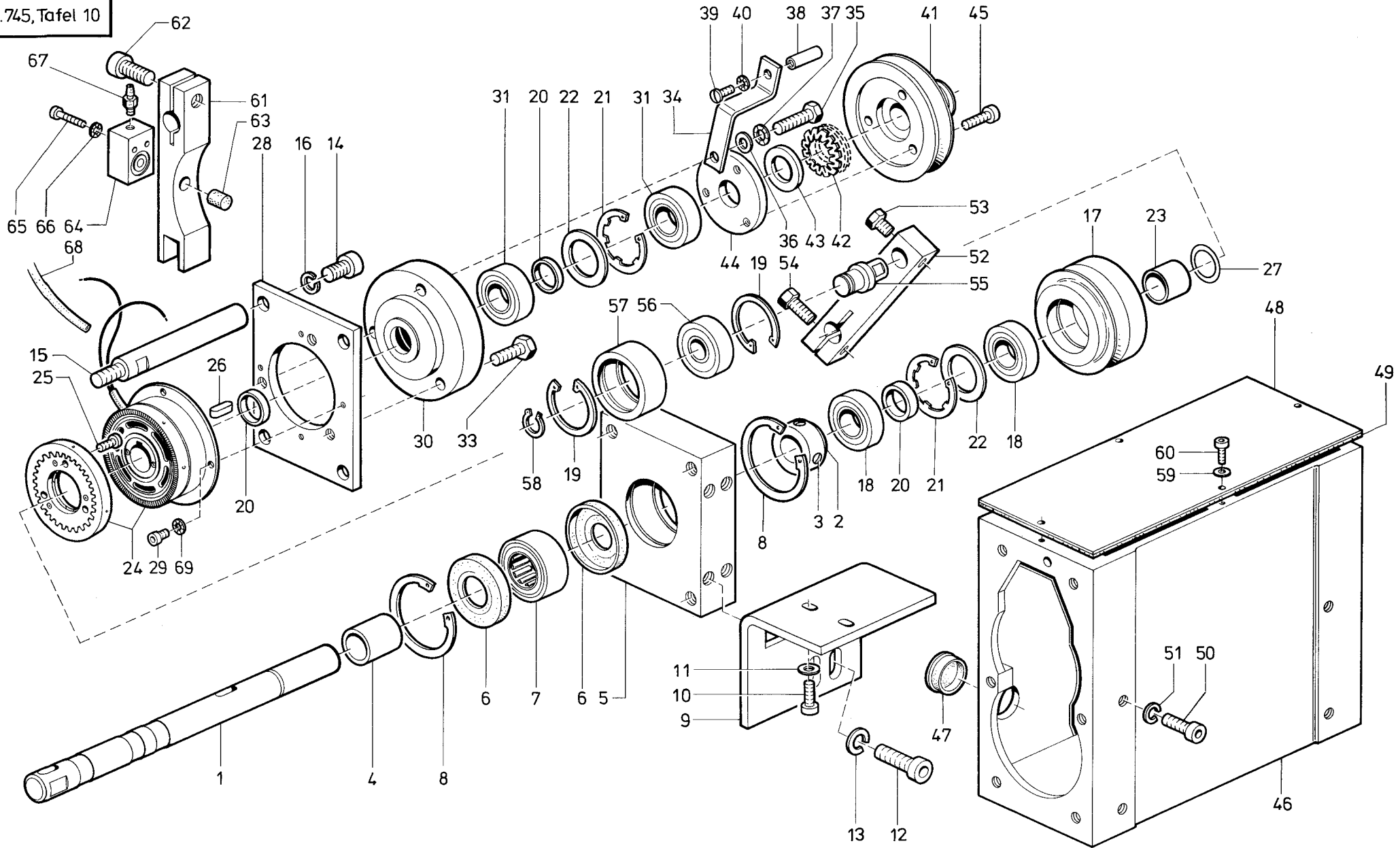




| Pos. Det. | Teile Nr. Part No. | Benennung                                | Denomination                             |
|-----------|--------------------|--|--|
|           |                    | <b>Getriebeteile</b>                     | <b>Gearing Parts</b>                     |
|           | 7926001            | Getriebe kpl.                            | Gear cpl.                                |
| 1         | 7926006            | Platte                                   | Plate                                    |
| 2         | 556362             | Zyl.-Schraube                            | Cyl. head screw                          |
| 3         | 74420566           | Scheibe                                  | Washer                                   |
| 4         | 211609             | Zahnscheibe                              | Tooth lock washer                        |
| 5         | 21150346           | Bolzen                                   | Bolt                                     |
| 6         | 7926015            | Welle                                    | Shaft                                    |
| 7         | 211109             | Sicher.-Ring                             | Safety ring                              |
| 8         | 93370043           | Sicher.-Ring                             | Safety ring                              |
| 9         | 7926019            | Rillenkugellager                         | Grooved ball bearing                     |
| 10        | 7926021            | Ritzel kpl.<br>(mit Pos. 11)             | Pinion cpl.<br>(with pos. 11)            |
| 11        | 223648             | Gewindestift                             | Threaded stud                            |
| 12        | 7926031            | Zahnscheibe kpl.<br>(mit Pos. 13)        | Gear wheel cpl.<br>(with pos. 13)        |
| 13        | 93378058           | Nadelhülse                               | Needle sleeve                            |
| 14        | 7926041            | Zahnscheibe kpl.<br>(mit Pos. 13)        | Gear wheel cpl.<br>(with pos. 13)        |
| 15        | 5561099k           | Stellring kpl.<br>(mit Pos. 16)          | Set collar cpl.<br>(with pos. 16)        |
| 16        | 42084              | Gewindestift                             | Threaded stud                            |
| 17        | 7926056            | Welle                                    | Shaft                                    |
| 18        | 7926069            | Ritzel kpl.<br>(mit Pos. 19)             | Pinion cpl.<br>(with pos. 19)            |
| 19        | 935410             | Gewindestift                             | Threaded stud                            |
| 20        | 7926058            | Ritzel kpl.<br>(mit Pos. 19)             | Pinion cpl.<br>(with pos. 19)            |
| 21        | 93378051           | Zahnscheibe kpl.<br>(mit Pos. 13)        | Gear wheel cpl.<br>(with pos. 13)        |
| 22        | 7926081            | Zahnscheibe kpl.<br>(mit Pos. 13 und 23) | Gear wheel cpl.<br>(with pos. 13 and 23) |
| 23        | 7926088            | Nadelhülse                               | Needle sleeve                            |
| 24        | 7462329            | Anker                                    | Armature                                 |
| 25        | 902670             | Zyl.-Schraube                            | Cyl. head screw                          |
| 26        | 7926094            | Distanzring                              | Distance ring                            |
| 27        | 7462303            | Paßfeder                                 | Fitting key                              |
| 28        | 7462328            | Magnetkörper                             | Magnet substance                         |
| 29        | 7462326            | Magnetgehäuse                            | Magnet housing                           |
| 30        | 7926099            | Rillenkugellager                         | Grooved ball bearing                     |
| 31        | 7926100            | Platte                                   | Plate                                    |
| 32        | 24414619           | Anschlagschraube                         | Stop screw                               |
| 33        | 74450244           | 6kt.-Mutter                              | Hexagonal nut                            |
| 34        | 7926104            | Gabel                                    | Fork                                     |

| Pos. Det. | Teile Nr. Part No. | Benennung                           | Denomination                         |
|-----------|--------------------|-------------------------------------|--------------------------------------|
| 35        | 93370175           | Zyl.-Schraube                       | Cyl. head screw                      |
| 36        | MG 8/7d            | 6kt.-Mutter                         | Hexagonal nut                        |
| 37        | P 12110            | Zyl.-Schraube                       | Cyl. head screw                      |
| 38        | 7441426            | Federring                           | Spring ring                          |
| 39        | 74450243           | Scheibe                             | Washer                               |
| 40        | 74420778           | Zyl.-Schraube                       | Cyl. head screw                      |
| 41        | 911267             | Zahnscheibe                         | Tooth lock washer                    |
| 42        | 7395105            | 6kt.-Mutter                         | Hexagonal nut                        |
| 43        | 7926131            | Ritzel kpl.<br>(mit Pos. 13 und 23) | Pinion cpl.<br>(with pos. 13 and 23) |
| 44        | 93378254           | Zahnriemen                          | Toothed belt                         |
| 45        | 7926146            | Zahnriemen                          | Toothed belt                         |
| 46        | 7926151            | Distanzring                         | Distance ring                        |
| 47        | 5701364            | Paßfeder                            | Fitting key                          |
| 48        | 7926153            | Flansch                             | Flange                               |
| 49        | 74420876           | Gelenkscheibe                       | Flexible disc                        |
| 50        | 7926159            | Flansch                             | Flange                               |
| 51        | 74420877           | Senkschraube                        | Countersunk screw                    |
| 52        | MG 43/408          | 6kt.-Mutter                         | Hexagonal nut                        |
| 53        | 223237             | Gewindestift                        | Threaded stud                        |
| 54        | 0020071071035      | Schutzschlauch                      | Protective hose                      |

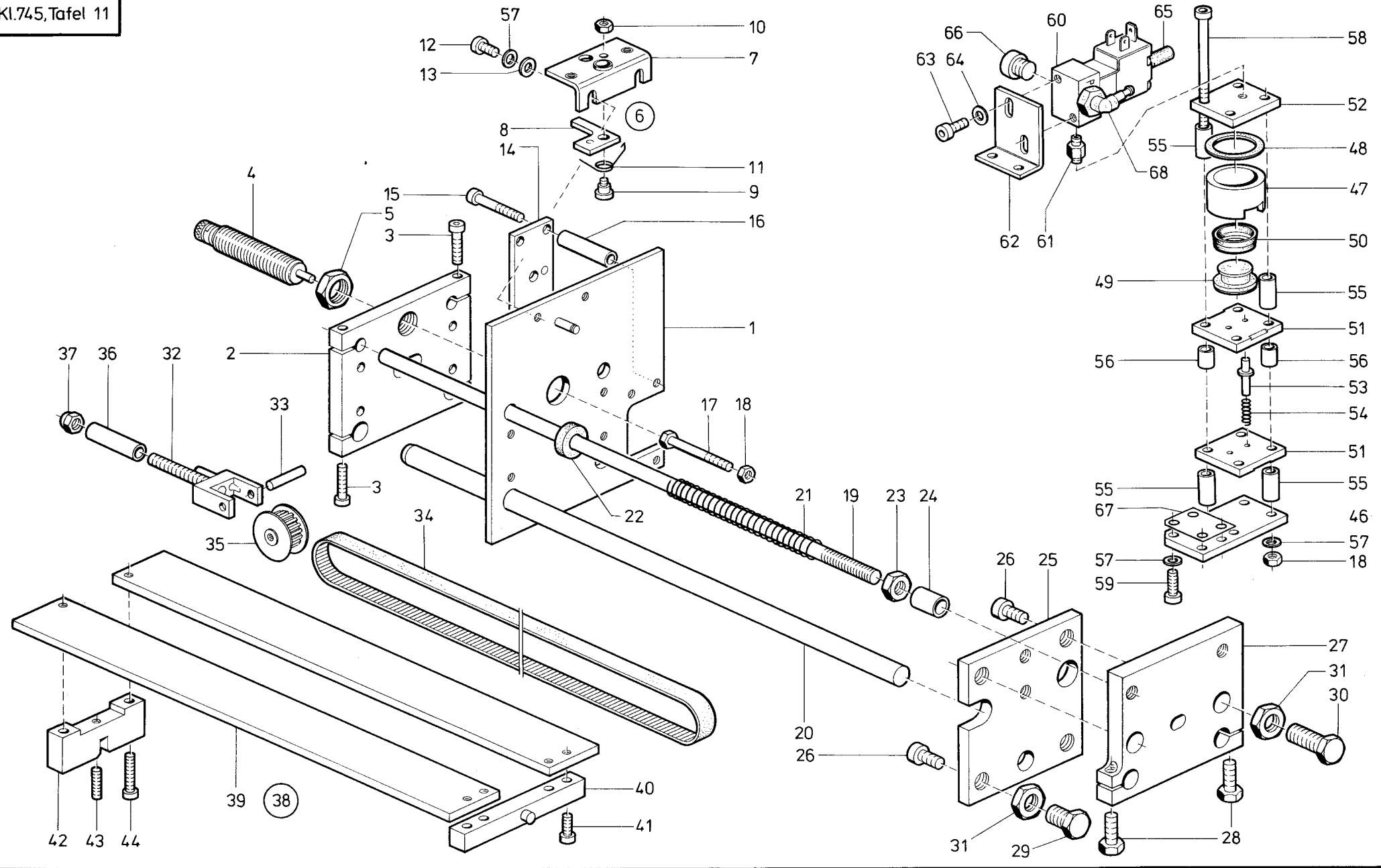
| Pos. Det. | Teile Nr. Part No. | Benennung | Denomination |
|-----------|--------------------|-----------|--------------|
|-----------|--------------------|-----------|--------------|



| Pos. Det. | Teile Nr. Part No. | Benennung                      | Denomination                     |
|-----------|--------------------|--------------------------------|----------------------------------|
|           |                    | <b>Getriebeteile</b>           | <b>Gearing Parts</b>             |
| 1         | 7926171            | Welle                          | Shaft                            |
| 2         | 74420512           | Stellring kpl.<br>(mit Pos. 3) | Set collar cpl.<br>(with pos. 3) |
| 3         | 223648             | Gewindestift                   | Threaded stud                    |
| 4         | 74420855           | Innenring                      | Bearing ring                     |
| 5         | 7926182            | Gehäuse                        | Housing                          |
| 6         | 74420854           | Schutzgehäuse                  | Protective cap                   |
| 7         | 74420853           | Nadellager                     | Needle bearing                   |
| 8         | 74420786           | Sicher.-Ring                   | Safety ring                      |
| 9         | 7926187            | Winkel                         | Angle                            |
| 10        | 7441509            | Zyl.-Schraube                  | Cyl. head screw                  |
| 11        | 74450243           | Scheibe                        | Washer                           |
| 12        | 74421026           | Zyl.-Schraube                  | Cyl. head screw                  |
| 13        | 74244586           | Lasche                         | Shackle                          |
| 14        | 911376             | Zyl.-Schraube                  | Cyl. head screw                  |
| 15        | 7926193a           | Bolzen                         | Bolt                             |
| 16        | 7441017            | Federring                      | Spring ring                      |
| 17        | 7926201            | Riemenscheibe                  | Belt pulley                      |
| 18        | 55615301           | Kugellager                     | Ball bearing                     |
| 19        | 74420610           | Sicher.-Ring                   | Safety ring                      |
| 20        | 74420507           | Distanzring                    | Distance ring                    |
| 21        | 746429             | Sicher.-Ring                   | Lock washer                      |
| 22        | 746430             | Stützscheibe                   | Supporting washer                |
| 23        | 7926211            | Distanzring                    | Distance ring                    |
| 24        | 7926212            | Zahnkupplung                   | Toothed coupler                  |
| 25        | 798796             | Zyl.-Schraube                  | Cyl. head screw                  |
| 26        | 74420576a          | Paßfeder                       | Fitting key                      |
| 27        | 74420566           | Scheibe                        | Washer                           |
| 28        | 7926218            | Platte                         | Plate                            |
| 29        | 2464070            | Zyl.-Schraube                  | Cyl. head screw                  |
| 30        | 7926222            | Gehäuse                        | Housing                          |
| 31        | 55615301           | Kugellager                     | Ball bearing                     |
| 33        | 719127             | 6kt.-Schraube                  | Hexagonal screw                  |
| 34        | 7926231            | Winkel                         | Angle                            |
| 35        | 5581304            | 6kt.-Schraube                  | Hexagonal screw                  |
| 36        | 557263             | Scheibe                        | Washer                           |
| 37        | 557783             | Zahnscheibe                    | Tooth lock washer                |
| 38        | 21150202           | Bolzen                         | Bolt                             |
| 39        | 219353             | Linsenschraube                 | Fillister head screw             |
| 40        | 911267             | Zahnscheibe                    | Tooth lock washer                |
| 41        | 7926241            | Riemenscheibe (50 Hz)          | Belt pulley (50 Hz)              |
| 41        | 7926246            | Riemenscheibe (60 Hz)          | Belt pulley (60 Hz)              |
| 42        | 74420518           | Sternscheibe                   | Special spring washer            |

| Pos. Det. | Teile Nr. Part No.      | Benennung   | Denomination  |
|-----------|-------------------------|---|---|
| 43        | 74420520                | Scheibe   | Washer  |
| 44        | 746356a                 | Scheibe   | Washer  |
| 45        | P 12110                 | Zyl.-Schraube                                       | Cyl. head screw                                     |
| 46        | 7926005                 | Getriebegehäuse                                     | Gearing housing                                     |
| 47        | 911514                  | Verschlusskappe                                     | Plastic cap   |
| 48        | 7926251                 | Deckel kpl.<br>(mit Pos. 49)                        | Cover Plate cpl.<br>(with pos. 49)                  |
| 49        | 002009022<br>90000, 600 | Klebeband   | Adhesive tape                                       |
| 50        | 5701392                 | Zyl.-Schraube                                       | Cyl. head screw                                     |
| 51        | 5692773                 | Federring   | Spring ring   |
| 52        | 7926262                 | Hebel   | Lever   |
| 53        | 9424586                 | 6kt.-Schraube                                       | Hexagonal screw                                     |
| 54        | 719127                  | 6kt.-Schraube                                       | Hexagonal screw                                     |
| 55        | 74420631                | Bolzen  | Bolt  |
| 56        | 7421461                 | Kugellager  | Ball bearing  |
| 57        | 7926268                 | Rolle   | Roll  |
| 58        | 211109                  | Sicher.-Ring  | Safety ring   |
| 59        | 1005233                 | Scheibe   | Washer  |
| 60        | 5691922                 | Zyl.-Schraube                                       | Cyl. head screw                                     |
| 61        | 7926292                 | Klemmhalter kpl.<br>(mit Pos. 62)                   | Clamping holder cpl.<br>(with pos. 62)              |
| 62        | 911376                  | Zyl.-Schraube                                       | Cyl. head screw                                     |
| 63        | 7926295                 | Bolzen  | Bolt  |
| 64        | 7971030                 | Zylinder  | Cylinder  |
| 65        | 746450                  | Zyl.-Schraube                                       | Cyl. head screw                                     |
| 66        | 739298                  | Zahnscheibe   | Tooth lock washer                                   |
| 67        | 7972016                 | Schlauchtülle                                       | Hose nozzle   |
| 68        | 0020089718031           | Schutzschlauch                                      | Protective hose                                     |
| 69        | 739298                  | Zahnscheibe   | Tooth lock washer                                   |
|           | <b>7926272</b>          | <b>Keilriemen (Motor/Getriebe) 10 x 560</b>         | <b>V-Belt (Motor/Gearing) 10 x 560</b>              |
|           | <b>7926274</b>          | <b>Keilriemen (Magnet-Masch.-Oberteil) 10 x 875</b> | <b>V-Belt (Magn. coupler-Machine head) 10 x 875</b> |

| Pos. Det. | Teile Nr. Part No. | Benennung | Denomination |
|-----------|--------------------|-----------|--------------|
|-----------|--------------------|-----------|--------------|

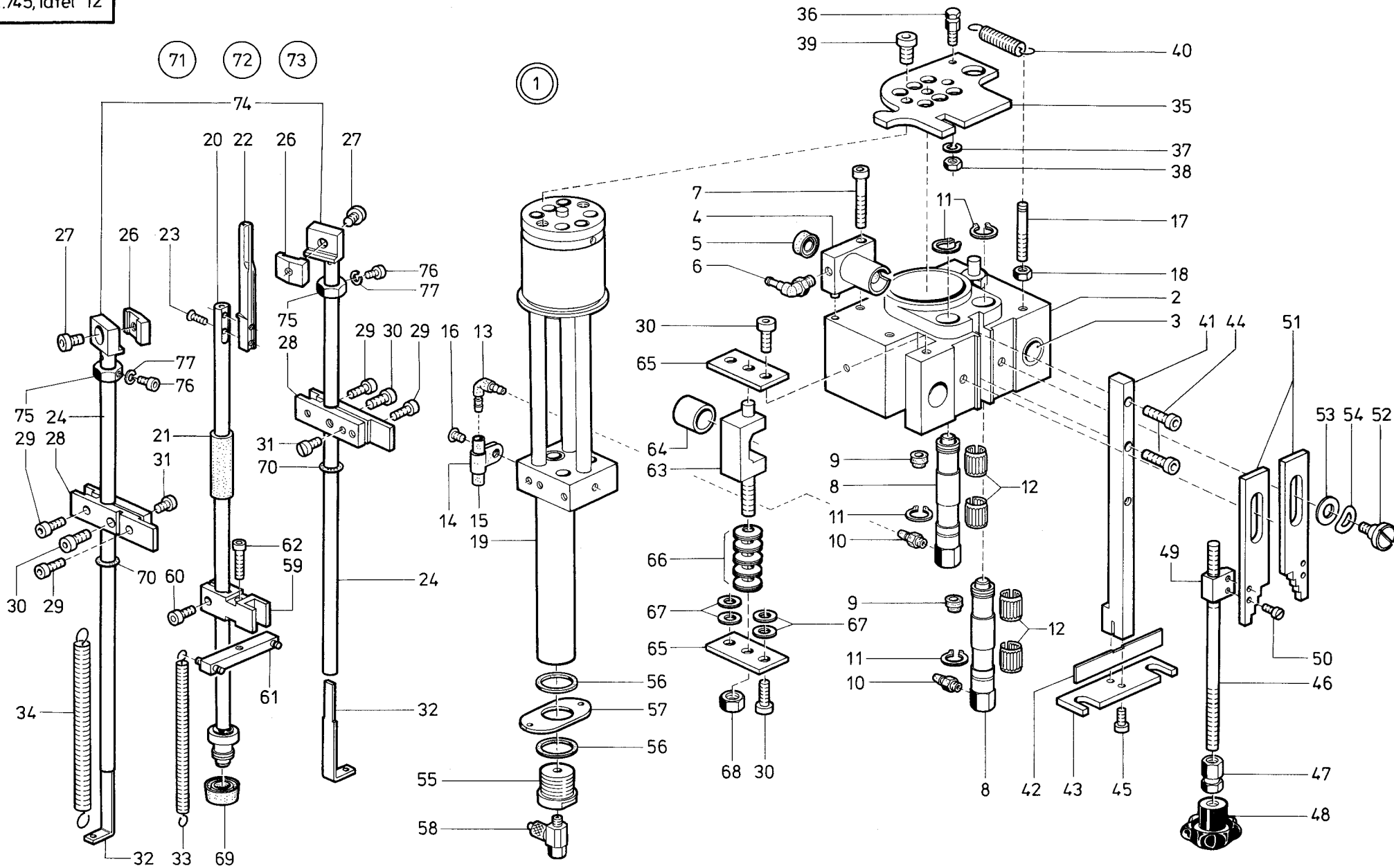


| Pos. Det. | Teile Nr. Part No. | Benennung                               | Denomination                                      |
|-----------|--------------------|---|---|
| 1         | 7927831            | Stegblech                               | Setting rule plate                                |
| 2         | 7927835            | Klemmplatte kpl. (mit Pos. 3)           | Clamping plate cpl. (with pos. 3)                 |
| 3         | P 12110            | Zyl.-Schraube                           | Cyl. head screw                                   |
| 4         | 793243             | Stoßdämpfer kpl. (mit Pos. 5)           | Shock absorber cpl. (with pos. 5)                 |
| 5         | 5573512            | 6kt.-Mutter                             | Hexagonal nut                                     |
| 6         | 7461327            | Winkel kpl. (best. aus Pos. 7 bis 11)   | Angle cpl. (cons. of pos. 7 up to 11)             |
| 7         | 7461328            | Winkel                                  | Angle   |
| 8         | 7461331            | Klinke                                  | Ratchet   |
| 9         | 569137             | Ansatzschraube                          | Shoulder screw                                    |
| 10        | 211198             | 6kt.-Mutter                             | Hexagonal nut                                     |
| 11        | 7461334            | Drehfeder                               | Torsion spring                                    |
| 12        | 2461049            | Zyl.-Schraube                           | Cyl. head screw                                   |
| 13        | 739595             | Scheibe                                 | Washer  |
| 14        | 7927036            | Platte                                  | Plate   |
| 15        | 5562363            | Zyl.-Schraube                           | Cyl. head screw                                   |
| 16        | 7182624            | Hülse                                   | Sleeve  |
| 17        | MG 41/4627         | 6kt.-Schraube                           | Hexagonal screw                                   |
| 18        | MG 8/7d            | 6kt.-Mutter                             | Hexagonal nut                                     |
| 19        | 7927823            | Gewindestange                           | Threaded rod                                      |
| 20        | 7927821            | Welle                                   | Shaft   |
| 21        | 7927828            | Druckfeder                              | Pressure spring                                   |
| 22        | 7925446            | Scheibe                                 | Washer  |
| 23        | 72042a             | 6kt.-Mutter                             | Hexagonal nut                                     |
| 24        | 570579             | Buchse                                  | Bush  |
| 25        | 7927802            | Platte                                  | Plate   |
| 26        | 556362             | Zyl.-Schraube                           | Cyl. head screw                                   |
| 27        | 7927805            | Klemmplatte kpl. (mit Pos. 28)          | Clamping plate cpl. (with pos. 28)                |
| 28        | 7441658            | Zyl.-Schraube                           | Cyl. head screw                                   |
| 29        | 7927812            | 6kt.-Schraube                           | Hexagonal screw                                   |
| 30        | 7927811            | 6kt.-Schraube                           | Hexagonal screw                                   |
| 31        | 55614146           | 6kt.-Mutter                             | Hexagonal nut                                     |
| 32        | 74241342           | Gabel                                   | Fork  |
| 33        | 74241349           | Lagernadel                              | Bearing needle                                    |
| 34        | 7927258            | Zahnriemen                              | Toothed belt                                      |
| 35        | 7927261            | Ritzel                                  | Pinion  |
| 36        | 7421795            | Distanzhülse                            | Distance sleeve                                   |
| 37        | 793316             | Spezialmutter                           | Special nut                                       |
| 38        | 7927301            | Auflage kpl. (best. aus Pos. 39 bis 44) | Supporting plate cpl. (cons. of pos. 39 up to 44) |
| 39        | 7927302            | Auflageplatte                           | Supporting plate                                  |

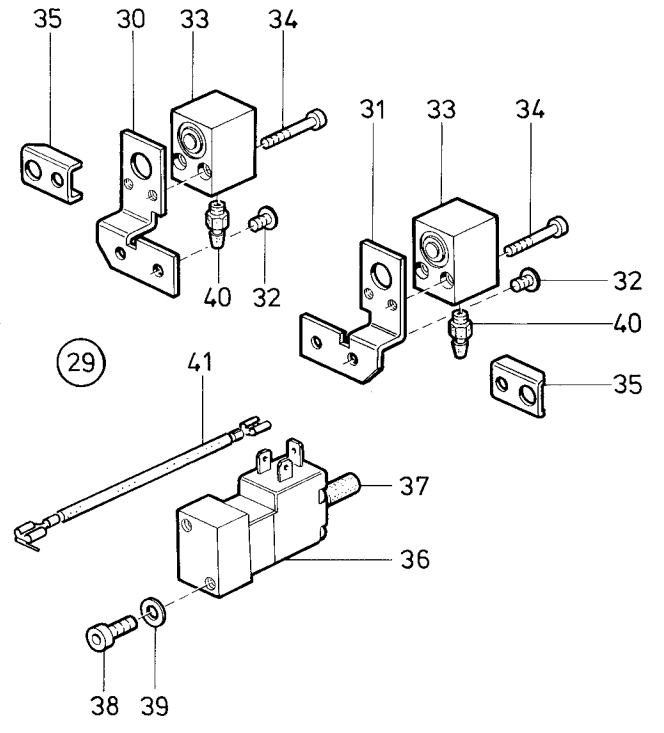
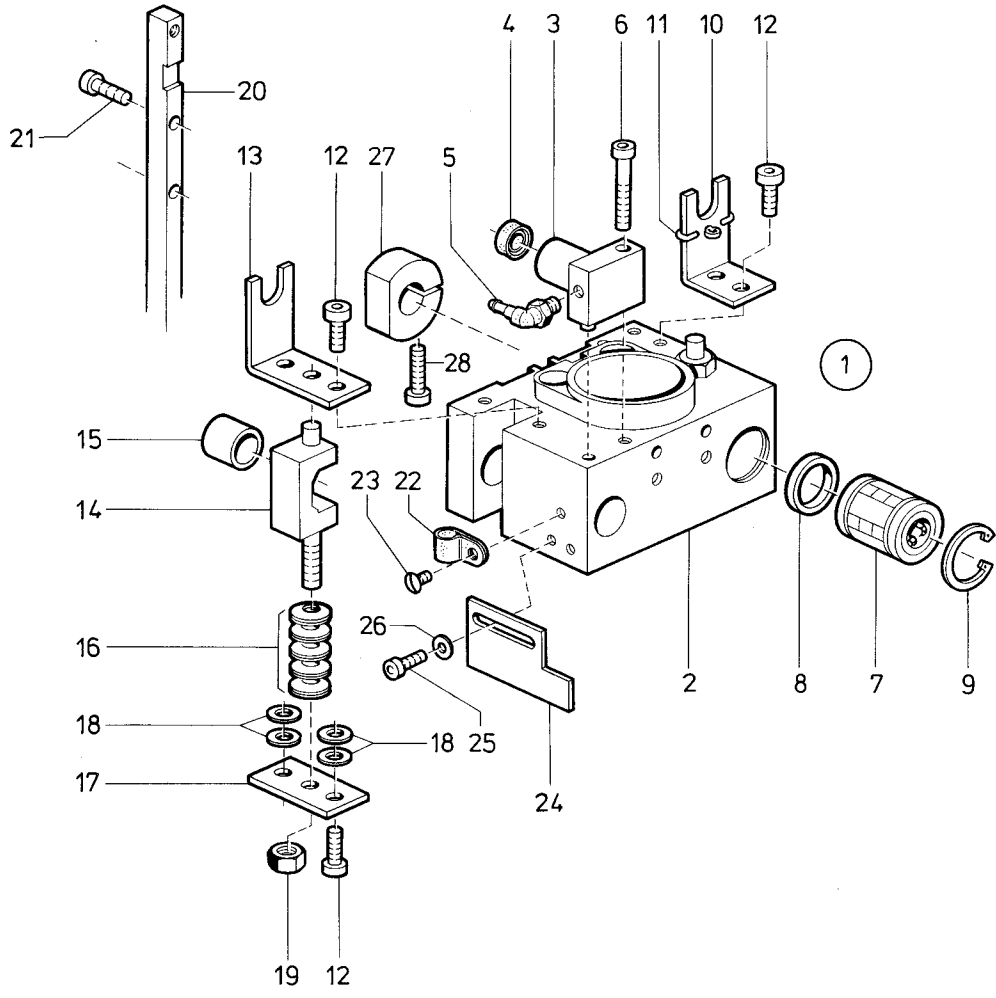
| Pos. Det. | Teile Nr. Part No. | Benennung      | Denomination        |
|-----------|--------------------|----------------|---------------------|
| 40        | 7927303            | Leiste         | Reglet              |
| 41        | 216123             | Zyl.-Schraube  | Cyl. head screw     |
| 42        | 7927306            | Bef.-Stück     | Fastening piece     |
| 43        | 93378909           | Gewindestift   | Threaded stud       |
| 44        | 216377             | Zyl.-Schraube  | Cyl. head screw     |
| 45        | MG 8/7d            | 6kt.-Mutter    | Hexagonal nut       |
| 46        | 7927222            | Grundplatte    | Base plate          |
| 47        | 74241792           | Zylinderrohr   | Cylinder tube       |
| 48        | 74241799           | Dichtung       | Gasket              |
| 49        | 74241795           | Kolben         | Piston              |
| 50        | 7426431            | Lippenring     | Lip seal            |
| 51        | 7927227            | Platte         | Plate               |
| 52        | 7927228            | Platte         | Plate               |
| 53        | 74241797           | Bolzen         | Bolt                |
| 54        | MG 41/4259a        | Druckfeder     | Pressure spring     |
| 55        | 74241807           | Buchse         | Bushing             |
| 56        | 7927234a           | Buchse         | Bushing             |
| 57        | 74450243           | Scheibe        | Washer              |
| 58        | 93378932           | Zyl.-Schraube  | Cyl. head screw     |
| 59        | 7441509            | Zyl.-Schraube  | Cyl. head screw     |
| 60        | 797331             | Magnetventil   | Solenoid valve      |
| 61        | Z 11650            | Doppelnippel   | Double nipple       |
| 62        | 7927230            | Winkel         | Angle               |
| 63        | 7441509            | Zyl.-Schraube  | Cyl. head screw     |
| 64        | 74450243           | Scheibe        | Washer              |
| 65        | Z 11649            | Schalldämpfer  | Silencer            |
| 66        | P 12159            | Zyl.-Schraube  | Cyl. head screw     |
| 67        | 7927238            | Platte         | Plate               |
| 68        | 74423556           | Schl.-Verschr. | Hose coupling screw |

| Pos. Det. | Teile Nr. Part No. | Benennung | Denomination |
|-----------|--------------------|-----------|--------------|
|-----------|--------------------|-----------|--------------|





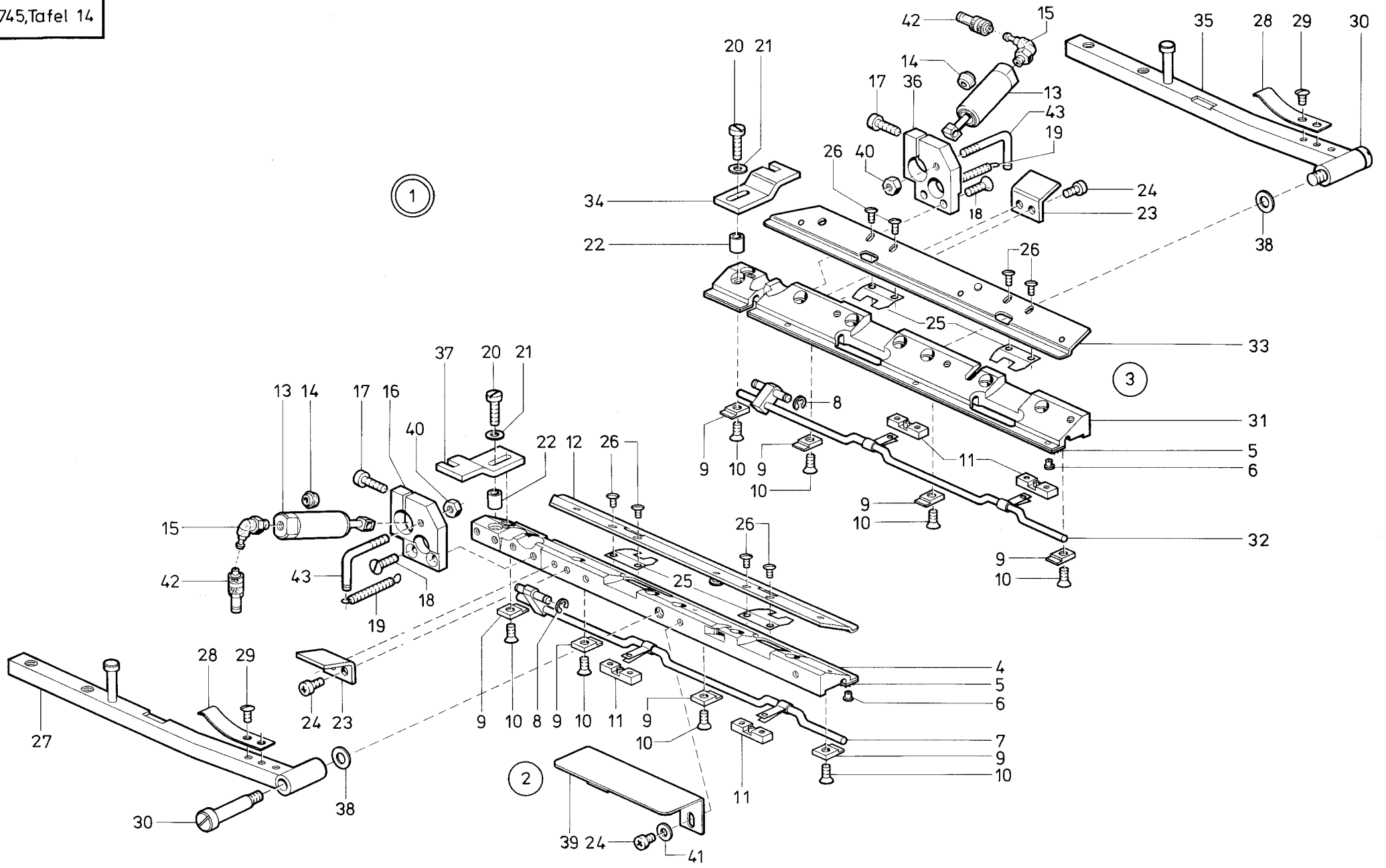
| Pos. Det. | Teile Nr. Part No. | Benennung                             | Denomination                           | Pos. Det. | Teile Nr. Part No. | Benennung   | Denomination   | Pos. Det. | Teile Nr. Part No. | Benennung   | Denomination   |
|-----------|--------------------|---------------------------------------|--|-----------|--------------------|---|--|-----------|--------------------|---|--|
|           |                    | <b>Schneideeinrichtung</b>            | <b>Cutter device</b>                   |           |                    |   |  |           |                    |   |  |
| 1         | 7927505            | Messerbock kpl. (Nahtende)            | Knife block cpl. (end of seam)         | 33        | 746891             | Zugfeder  | Draw spring  | 72        | 7927692            | Messerhalter kpl. (best. aus Pos. 22, 23, 26, 27, 74, 75, 76, 77) | Knife holder cpl. (cons. of pos. 22, 23, 26, 27, 74, 75, 76, 77) |
| 2         | 7927513            | Messerbock kpl. (mit Pos. 3)          | Knife block cpl. (with pos. 3)         | 34        | 746893a            | Zugfeder  | Draw spring  |           |                    | <b>für 16 mm Nadelabstand</b>                                     | <b>for 16 mm needle distance</b>                                 |
| 3         | 2918               | Sinterbuchse                          | Sintered bush                          | 35        | 7927731            | Stellungsplatte kpl. (mit Pos. 36, 37, 38)                        | Locking plate cpl. (with pos. 36, 37, 38)                        | 73        | 7927693            | Messerhalter kpl. (best. aus Pos. 22, 23, 26, 27, 74, 75, 76, 77) | Knife holder cpl. (cons. of pos. 22, 23, 26, 27, 74, 75, 76, 77) |
| 4         | 7927541            | Zylinder kpl. (mit Pos. 5)            | Cylinder cpl. (with pos. 5)            | 36        | 291513             | Spezialschraube   | Special screw  |           |                    | <b>für 20 mm Nadelabstand</b>                                     | <b>for 20 mm needle distance</b>                                 |
| 5         | 21154075           | Lippenring                            | Lip seal                               | 37        | 5561075            | Federring   | Spring ring  | 74        | 7927671            | Kloben für Nadelabstand 8–14 mm (Abb. links)                      | Block for needle distance 8–14 mm (left illustr.)                |
| 6         | 746768             | Schl.-Verschr.                        | Hose coupling screw                    | 38        | 202704             | 6kt.-Mutter   | Hexagonal nut  |           | 7927672            | Kloben für Nadelabstand 8–14 mm (Abb. rechts)                     | Block for needle distance 8–14 mm (right illustr.)               |
| 7         | 2386530            | Zyl.-Schraube                         | Cyl. head screw                        | 39        | 2194240            | Zyl.-Schraube   | Cyl. head screw  | 7927683   |                    | Kloben für Nadelabstand 16 mm (Abb. links)                        | Block for needle distance 16 mm (left illustr.)                  |
| 8         | 7927571            | Zylinder kpl. (mit Pos. 9)            | Cylinder cpl. (with pos. 9)            | 40        | 7927738            | Zugfeder  | Draw spring  | 7927684   |                    | Kloben für Nadelabstand 16 mm (Abb. rechts)                       | Block for needle distance 16 mm (right illustr.)                 |
| 9         | 55614030           | Lippenring                            | Lip seal                               | 41        | 7927742            | Leiste  | Regler   | 7927685   |                    | Kloben für Nadelabstand 20 mm (Abb. links)                        | Block for needle distance 20 mm (left illustr.)                  |
| 10        | 7972016            | Schlauchtülle                         | Hose nozzle                            | 42        | 746943             | Blattfeder  | Leaf spring  | 7927686   |                    | Kloben für Nadelabstand 20 mm (Abb. rechts)                       | Block for needle distance 20 mm (right illustr.)                 |
| 11        | 211109             | Sicher.-Ring                          | Circlip                                | 43        | 746944             | Platte  | Plate  | 75        | 7927696            | Ring  | Ring   |
| 12        | 7927589            | Toleranzring                          | Tolerance ring                         | 44        | 246130             | Zyl.-Schraube   | Cyl. head screw  | 76        | 933335             | Zyl.-Schraube   | Cyl. head screw  |
| 13        | 7972203            | Schl.-Verbindung                      | Hose connection                        | 45        | 7461033            | Zyl.-Schraube   | Cyl. head screw  | 77        | 2464069            | Federring   | Spring ring  |
| 14        | 94210318           | Kabelschelle                          | Cable clip                             | 46        | 746937             | Spindel   | Spindle  |           |                    |   |  |
| 15        | 798101004          | Isoliertülle                          | Isolating hose                         | 47        | 746938             | 6kt.-Mutter   | Hexagonal nut  |           |                    |   |  |
| 16        | 10019130           | Linsenschraube                        | Fillister head screw                   | 48        | 7441559            | Sterngriff  | Star grip  |           |                    |   |  |
| 17        | 7927625            | Bolzen                                | Bolt                                   | 49        | 746932             | Kloben  | Block  |           |                    |   |  |
| 18        | 74450244           | 6kt.-Mutter                           | Hexagonal nut                          | 50        | 933335             | Zyl.-Schraube   | Cyl. head screw  |           |                    |   |  |
| 19        | 7927641            | Lager                                 | Bearing                                | 51        | 7927761            | Anschlagblech   | Stop plate   |           |                    |   |  |
| 20        | 746846a            | Rohr                                  | Tube                                   | 52        | 7927762            | Ansatzschraube  | Shoulder screw   |           |                    |   |  |
| 21        | 746860             | Anschlagbuchse                        | Stopping sleeve                        | 53        | 570117             | Scheibe   | Washer   |           |                    |   |  |
| 22        | 7927661            | Vorstecher kpl. (mit Pos. 23)         | Pre-cutter cpl. (with pos. 23)         | 54        | 420362             | Federscheibe  | Spring washer  |           |                    |   |  |
|           |                    | <b>für 16–20 mm Nadelabstand</b>      | <b>for 16–20 mm needle distance</b>    | 55        | 746864a            | Spezialschraube   | Special screw  |           |                    |   |  |
|           | 746977             | Vorstecher kpl. (mit Pos. 23)         | Pre-cutter cpl. (with pos. 23)         | 56        | 746865a            | Dichtung  | Gasket   |           |                    |   |  |
|           |                    | <b>für 8–14 mm Nadelabstand</b>       | <b>for 8–14 mm needle distance</b>     | 57        | 746863a            | Platte  | Plate  |           |                    |   |  |
| 23        | 74424194           | Senkschraube                          | Countersunk screw                      | 58        | 797411             | Drosselventil   | Throttle valve   |           |                    |   |  |
| 24        | 7927695            | Stange                                | Rod                                    | 59        | 7927121            | Klemmstück kpl. (mit Pos. 60)                                     | Clamping piece cpl. (with pos. 60)                               |           |                    |   |  |
| 26        | 746878             | Klemmstück                            | Clamping piece                         | 60        | 7441968            | Zyl.-Schraube   | Cyl. head screw  |           |                    |   |  |
| 27        | 746879             | Zyl.-Schraube                         | Cyl. head screw                        | 61        | 746855             | Leiste  | Reglet   |           |                    |   |  |
| 28        | 7927701            | Gabelstück kpl. (mit Pos. 29, 30, 31) | Fork piece cpl. (with pos. 29, 30, 31) | 62        | 74420778           | Zyl.-Schraube   | Cyl. head screw  |           |                    |   |  |
| 29        | 7441968            | Zyl.-Schraube                         | Cyl. head screw                        | 63        | 7927161            | Kloben  | Block  |           |                    |   |  |
| 30        | 7441509            | Zyl.-Schraube                         | Cyl. head screw                        | 64        | 7927165            | Buchse  | Bush   |           |                    |   |  |
| 31        | 223676             | Zyl.-Schraube                         | Cyl. head screw                        | 65        | 7927169            | Platte  | Plate  |           |                    |   |  |
| 32        | 746875a            | Verlängerung                          | Lengthening plate                      | 66        | 933587             | Tellerfeder   | Cup spring   |           |                    |   |  |
|           |                    |                                       |  | 67        | 739595             | Scheibe   | Washer   |           |                    |   |  |
|           |                    |                                       |  | 68        | 793316             | Stop-Mutter   | Stop nut   |           |                    |   |  |
|           |                    |                                       |  | 69        | 2462566            | Lippenring  | Lip seal   |           |                    |   |  |
|           |                    |                                       |  | 70        | 746889             | Gummiring   | Rubber ring  |           |                    |   |  |
|           |                    |                                       |  | 71        | 7927671            | Messerhalter kpl. (best. aus Pos. 22, 23, 26, 27, 74, 75, 76, 77) | Knife holder cpl. (cons. of pos. 22, 23, 26, 27, 74, 75, 76, 77) |           |                    |   |  |
|           |                    |                                       |  |           |                    | <b>für 8–14 mm Nadelabstand</b>                                   | <b>for 8–14 mm needle distance</b>                               |           |                    |   |  |



| Pos. Det. | Teile Nr. Part No. | Benennung   | Denomination  |
|-----------|--------------------|---|---|
| 1         | 7927507            | Messerbock kpl.<br>(Nahtanfang)*                          | Knife block cpl.<br>(beginning of seam)*                      |
| 2         | 7927515            | Messerbock  | Knife block   |
| 3         | 7927542            | Zylinder kpl.<br>(mit Pos. 4)                             | Cylinder cpl.<br>(with pos. 4)                                |
| 4         | 21154075           | Lippenring  | Lip seal  |
| 5         | 746768             | Schl.-Verschr.  | Hose coupling screw   |
| 6         | 2386530            | Zyl.-Schraube   | Cyl. head screw   |
| 7         | 746826             | Kugelbüchse   | Ball sleeve   |
| 8         | 74420507           | Distanzscheibe  | Distance washer   |
| 9         | 21125              | Sicher.-Ring  | Safety ring   |
| 10        | 7927621            | Winkel kpl.<br>(mit Pos. 11)                              | Angle cpl.<br>(with pos. 11)                                  |
| 11        | 249674             | Splint  | Split pin   |
| 12        | 7441509            | Zyl.-Schraube   | Cyl. head screw   |
| 13        | 7927167            | Winkel  | Angle   |
| 14        | 7927161            | Kloben  | Block   |
| 15        | 7927165            | Buchse  | Bush  |
| 16        | 933587             | Tellerfeder   | Cup spring  |
| 17        | 7927169            | Platte  | Plate   |
| 18        | 739595             | Scheibe   | Washer  |
| 19        | 793316             | Stop Mutter   | Stop nut  |
| 20        | 7927741            | Leiste  | Reglet  |
| 21        | 246130             | Zyl.-Schraube   | Cyl. head screw   |
| 22        | 94210318           | Schelle   | Clip  |
| 23        | 10019130           | Linsenschraube  | Fillister head screw  |
| 24        | 7927628            | Platte  | Plate   |
| 25        | 570912             | Zyl.-Schraube   | Cyl. head screw   |
| 26        | 798795             | Scheibe   | Washer  |
| 27        | 7927275            | Klemmring kpl.<br>(mit Pos. 28)                           | Clamping ring cpl.<br>(with pos. 28)                          |
| 28        | 93311296           | Zyl.-Schraube   | Cyl. head screw   |
| 29        | 7927871            | <b>Messersperre kpl.</b><br>(best. aus Pos. 30<br>bis 41) | <b>Knife stop-work cpl.</b><br>(cons. of pos. 30 up<br>to 41) |
| 30        | 7927873            | Winkel, vorn  | Angle, front side   |
| 31        | 7927874            | Winkel, hinten  | Angle, back side  |
| 32        | 10019130           | Linsenschraube  | Fillister head screw  |
| 33        | 7971032            | Zylinder  | Cylinder  |
| 34        | 746450             | Zyl.-Schraube   | Cyl. head screw   |
| 35        | 7927880            | Anschlag  | Stop  |
| 36        | 797331             | Magnetventil  | Solenoid valve  |
| 37        | Z 11649            | Schalldämpfer   | Silencer  |
| 38        | 7441509            | Zyl.-Schraube   | Cyl. head screw   |
| 39        | 024275             | Scheibe   | Washer  |

| Pos. Det. | Teile Nr. Part No. | Benennung                          | Denomination                     |
|-----------|--------------------|------------------------------------|----------------------------------|
| 40        | 7972016            | Schlauchtülle                      | Hose nozzle                      |
| 41        | 74221623           | Leitung kpl.                       | Cable cpl.                       |
|           |                    | * Weitere Teile<br>siehe Tafel 12! | * Further parts<br>see table 12! |

| Pos. Det. | Teile Nr. Part No. | Benennung | Denomination |
|-----------|--------------------|-----------|--------------|
|-----------|--------------------|-----------|--------------|



| Pos. Det. | Teile Nr. Part No.  | Benennung  | Denomination   |
|-----------|---------------------|--|--|
| 1         | 79210001            | <b>Klammereinrichtung „K 11“ kpl.</b><br>(best. aus Pos. 2 und 3)  | <b>Clamp equipment „K 11“ cpl.</b><br>(cons. of pos. 2 and 3)  |
| 2         | 79210003            | Klammer links kpl.<br>(best. aus Pos. 4 bis 30, 37 bis 43)   | Clamp, left hand cpl.<br>(cons. of pos. 4 up to 30, 37 up to 43)   |
| 3         | 79210153            | Klammer rechts kpl.<br>(best. aus Pos. 5, 6, 8 bis 11, 13, 14, 15, 17 bis 26, 28 bis 36, 38, 40, 42, 43) | Clamp, right hand cpl.<br>(cons. of pos. 5, 6, 8 up to 11, 13, 14, 15, 17 up to 26, 28 up to 36, 38, 40, 42, 43) |
| 4         | 79210005            | Druckleiste kpl.<br>(mit Pos. 5 und 6)   | Pressure border cpl.<br>(with pos. 5 and 6)  |
| 5         | 74640006<br>7928010 | Transportstreifen, lang<br>Transportstreifen, kurz   | Transport strip, long<br>Transport strip, short  |
| 6         | 71812786            | Rohrniet   | Pipe rivet   |
| 7         | 79210021            | Kurbel   | Crank  |
| 8         | 10019228            | Sicher.-Scheibe  | Lock washer  |
| 9         | 74640014            | Platte   | Plate  |
| 10        | 74255716            | Senkschraube   | Countersunk screw  |
| 11        | 74640017            | Führungsbock   | Guide block  |
| 12        | 74640024            | Faltblech  | Fold plate   |
| 13        | 79210061            | Zylinder kpl.<br>(mit Pos. 14)   | Cylinder cpl.<br>(with pos. 14)  |
| 14        | 246348              | Lippenring   | Lip seal   |
| 15        | 746768              | Stecknippel  | Plug nipple  |
| 16        | 79210051            | Klemmstück kpl.<br>(mit Pos. 17, 40, 43)   | Clamping piece cpl.<br>(with pos. 17, 40, 43)  |
| 17        | 74420778            | Zyl.-Schraube  | Cyl. head screw  |
| 18        | 271169              | Senkschraube   | Countersunk screw  |
| 19        | 216152              | Zugfeder   | Draw spring  |
| 20        | 21646               | Zyl.-Schraube  | Cyl. head screw  |
| 21        | 531460              | Scheibe  | Washer   |
| 22        | 74640118a           | Hülse  | Sleeve   |
| 23        | 7928055             | Winkel   | Angle  |
| 24        | 271189              | Linsenschraube   | Fillister head screw   |
| 25        | 74640021            | Blattfeder   | Leaf spring  |
| 26        | 911339              | Linsenschraube   | Fillister head screw   |
| 27        | 7928057             | Klammerhalter  | Clamp holder   |
| 28        | 7928063             | Blattfeder   | Leaf spring  |
| 29        | 10019130            | Linsenschraube   | Fillister head screw   |
| 30        | 7928066             | Ansatzschraube   | Shoulder screw   |
| 31        | 79210155            | Druckleiste kpl.<br>(mit Pos. 5 und 6)   | Pressure border cpl.<br>(with pos. 5 and 6)  |
| 32        | 79210171            | Kurbel   | Crank  |

| Pos. Det. | Teile Nr. Part No. | Benennung                                | Denomination                                  |
|-----------|--------------------|--|---|
| 33        | 74640164           | Faltblech                                | Fold plate                                    |
| 34        | 7928153            | Platte                                   | Plate   |
| 35        | 7928157            | Klammerhalter                            | Clamp holder                                  |
| 36        | 79210201           | Klemmstück kpl.<br>(mit Pos. 17, 40, 43) | Clamping piece cpl.<br>(with pos. 17, 40, 43) |
| 37        | 7928053            | Platte                                   | Plate   |
| 38        | 7928065            | Scheibe                                  | Washer  |
| 39        | 7928091            | Winkel                                   | Angle   |
| 40        | 202704             | 6kt.-Mutter                              | Hexagonal nut                                 |
| 41        | 5691895            | Scheibe                                  | Washer  |
| 42        | 74640379           | Kupplungsstecker                         | Coupler plug                                  |
| 43        | 79210054           | Federbolzen                              | Spring holder                                 |

| Pos. Det. | Teile Nr. Part No. | Benennung | Denomination |
|-----------|--------------------|-----------|--------------|
|-----------|--------------------|-----------|--------------|

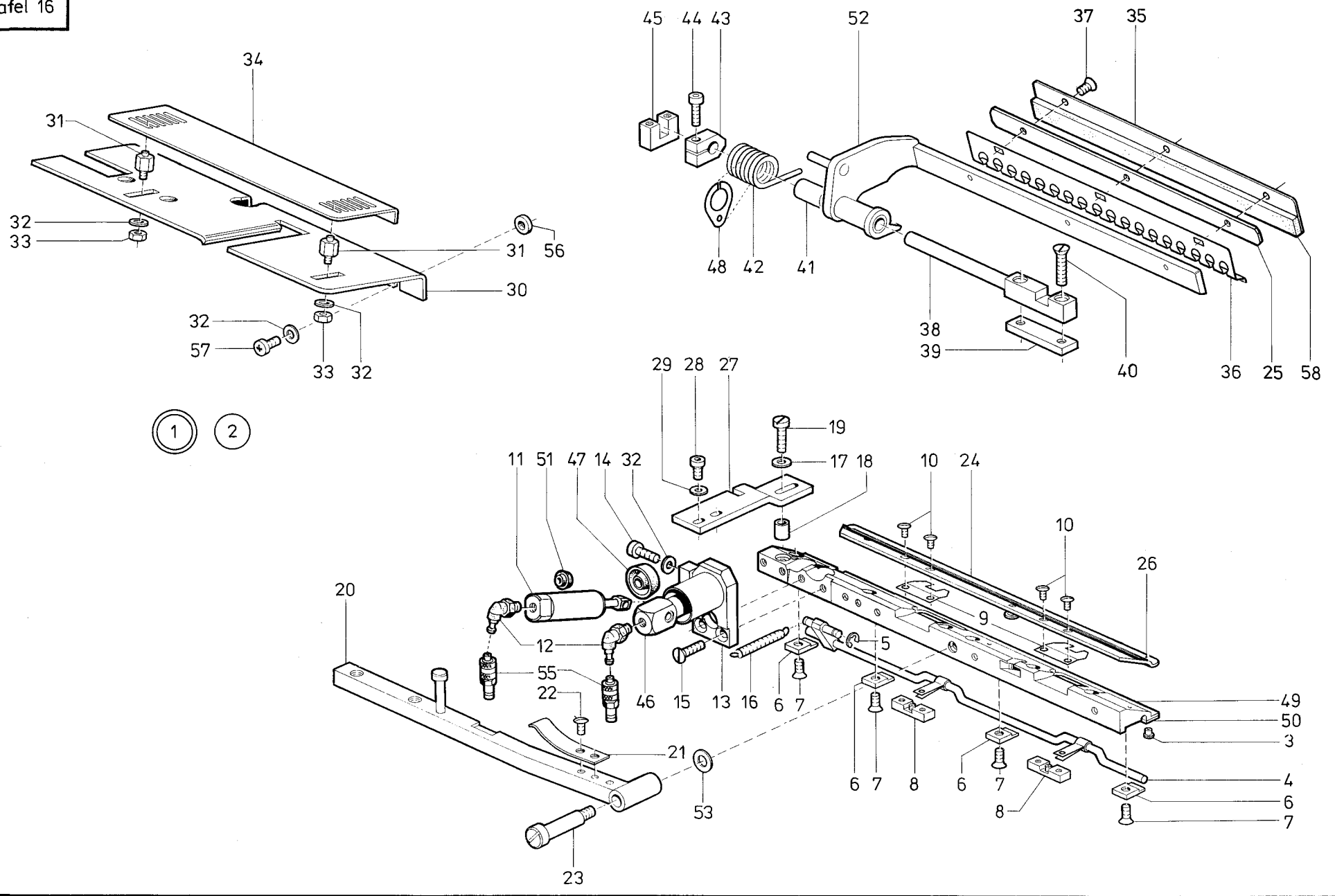


| Pos. Det. | Teile Nr. Part No.  | Benennung   | Denomination   |
|-----------|---------------------|---|--|
| 1         | 79310301            | Klammereinrichtung „K 12“ kpl. für 180 mm (best. aus Pos. 2 und auf Tafel 14, Pos. 2) | Clamp equipment „K 12“ cpl. for 180 mm (cons. of pos. 2 and on the table 14, pos. 2) |
| 2         | 79210303            | Klammer rechts kpl. (best. aus Pos. 3 bis 77)   | Clamp right hand cpl. (cons. of pos. 3 up to 77)                                     |
| 3         | 79210155            | Druckleiste kpl. (mit Pos. 4 und 5)   | Pressure border cpl. (with pos. 4 and 5)   |
| 4         | 74640006<br>7928010 | Transportstreifen, lang<br>Transportstreifen, kurz                                    | Transport strip, long<br>Transport strip, short                                      |
| 5         | 71812786            | Rohrniet  | Pipe rivet   |
| 6         | 79210171            | Kurbel  | Crank  |
| 7         | 10019228            | Sicher.-Scheibe   | Lock washer  |
| 8         | 74640014            | Platte  | Plate  |
| 9         | 74255716            | Senkschraube  | Countersunk screw  |
| 10        | 74640017            | Führungsbock  | Guide block  |
| 11        | 74640021            | Blattfeder  | Leaf spring  |
| 12        | 911339              | Linsenschraube  | Fillister head screw   |
| 13        | 79210061            | Zylinder kpl. (mit Pos. 14)   | Cylinder cpl. (with pos. 14)   |
| 14        | 246348              | Lippenring  | Lip seal   |
| 15        | 746768              | Stecknippel   | Plug nipple  |
| 16        | 79210321            | Klemmstück kpl. (mit Pos. 17 und 32)  | Clamping piece cpl. (with pos. 17 and 32)  |
| 17        | 74420778            | Zyl.-Schraube   | Cyl. head screw  |
| 18        | 271169              | Senkschraube  | Countersunk screw  |
| 19        | 216152              | Zugfeder  | Draw spring  |
| 20        | 531460              | Scheibe   | Washer   |
| 21        | 74640118a           | Hülse   | Sleeve   |
| 22        | 7928157             | Klammerhalter   | Clamp holder   |
| 23        | 7928163             | Blattfeder  | Leaf spring  |
| 24        | 10019130            | Linsenschraube  | Fillister head screw   |
| 25        | 7928066             | Ansatzschraube  | Shoulder screw   |
| 26        | 21646               | Zyl.-Schraube   | Cyl. head screw  |
| 27        | 74640323            | Faltblech kpl. (mit Pos. 29)  | Fold plate cpl. (with pos. 29)   |
| 28        | 7928225             | Leiste  | Reglet   |
| 29        | 74640027            | Reflexfolie   | Reflex foil  |
| 30        | 79210311            | Auflage   | Supporting plate   |
| 31        | 74640074            | Distanzstück  | Distance piece   |
| 32        | 5691895             | Scheibe   | Washer   |
| 33        | 202704              | 6kt.-Mutter   | Hexagonal nut  |
| 34        | 79210351            | Pattenklemme  | Flap clamping  |
| 35        | 7928226             | Leiste kpl. (mit Pos. 75)   | Reglet cpl. (with pos. 75)   |

| Pos. Det. | Teile Nr. Part No. | Benennung                                    | Denomination                                |
|-----------|--------------------|--|---|
| 36        | 74640645           | Kralle                                       | Claw  |
| 37        | 551987             | Senkschraube                                 | Countersunk screw                           |
| 38        | 74640098           | Lagerbolzen                                  | Bearing bolt                                |
| 39        | 74640100           | Gewindelasche                                | Threaded shackle                            |
| 40        | 5702382            | Senkschraube                                 | Countersunk screw                           |
| 41        | 79210372           | Buchse                                       | Bushing                                     |
| 42        | 74640325           | Drehfeder                                    | Torsion spring                              |
| 43        | 74640091           | Kloben kpl. (mit Pos. 44)                    | Block cpl. (with pos. 44)                   |
| 44        | 7441968            | Zyl.-Schraube                                | Cyl. head screw                             |
| 45        | 7928311            | Formanschlag kpl. (best. aus Pos. 46 bis 55) | Shape stop cpl. (cons. of pos. 46 up to 55) |
| 46        | 74640338           | Halter                                       | Holder                                      |
| 47        | 7928321            | Stange                                       | Rod   |
| 48        | 7928326            | Kloben kpl. (mit Pos. 49)                    | Block cpl. (with pos. 49)                   |
| 49        | 570912             | Zyl.-Schraube                                | Cyl. head screw                             |
| 50        | 7928328            | Anschlag kpl. (mit Pos. 49)                  | Stop cpl. (with pos. 49)                    |
| 51        | 7928334            | Führung                                      | Guidance                                    |
| 52        | 939394             | Zyl.-Schraube                                | Cyl. head screw                             |
| 53        | 55890              | Scheibe                                      | Washer                                      |
| 54        | 933335             | Zyl.-Schraube                                | Cyl. head screw                             |
| 55        | 1005233            | Scheibe                                      | Washer                                      |
| 66        | 74640379           | Kupplungsstecker                             | Coupler plug                                |
| 67        | 2462566            | Lippenring                                   | Lip seal                                    |
| 68        | 10019243           | Scheibe                                      | Washer                                      |
| 69        | 74640119           | Führungsstück                                | Guide piece                                 |
| 70        | 271189             | Zyl.-Schraube                                | Cyl. head screw                             |
| 71        | 531460             | Scheibe                                      | Washer                                      |
| 72        | 7928211            | Halter                                       | Holding plate                               |
| 73        | 7929065            | Scheibe                                      | Washer                                      |
| 74        | 271125             | Linsenschraube                               | Fillister head screw                        |
| 75        | 002902272000       | Gummistreifen                                | Rubber strip                                |
| 76        | 79210373           | Lasche                                       | Shackle                                     |
| 77        | 79210331           | Kolbenstange                                 | Piston rod                                  |

| Pos. Det. | Teile Nr. Part No. | Benennung | Denomination |
|-----------|--------------------|-----------|--------------|
|-----------|--------------------|-----------|--------------|

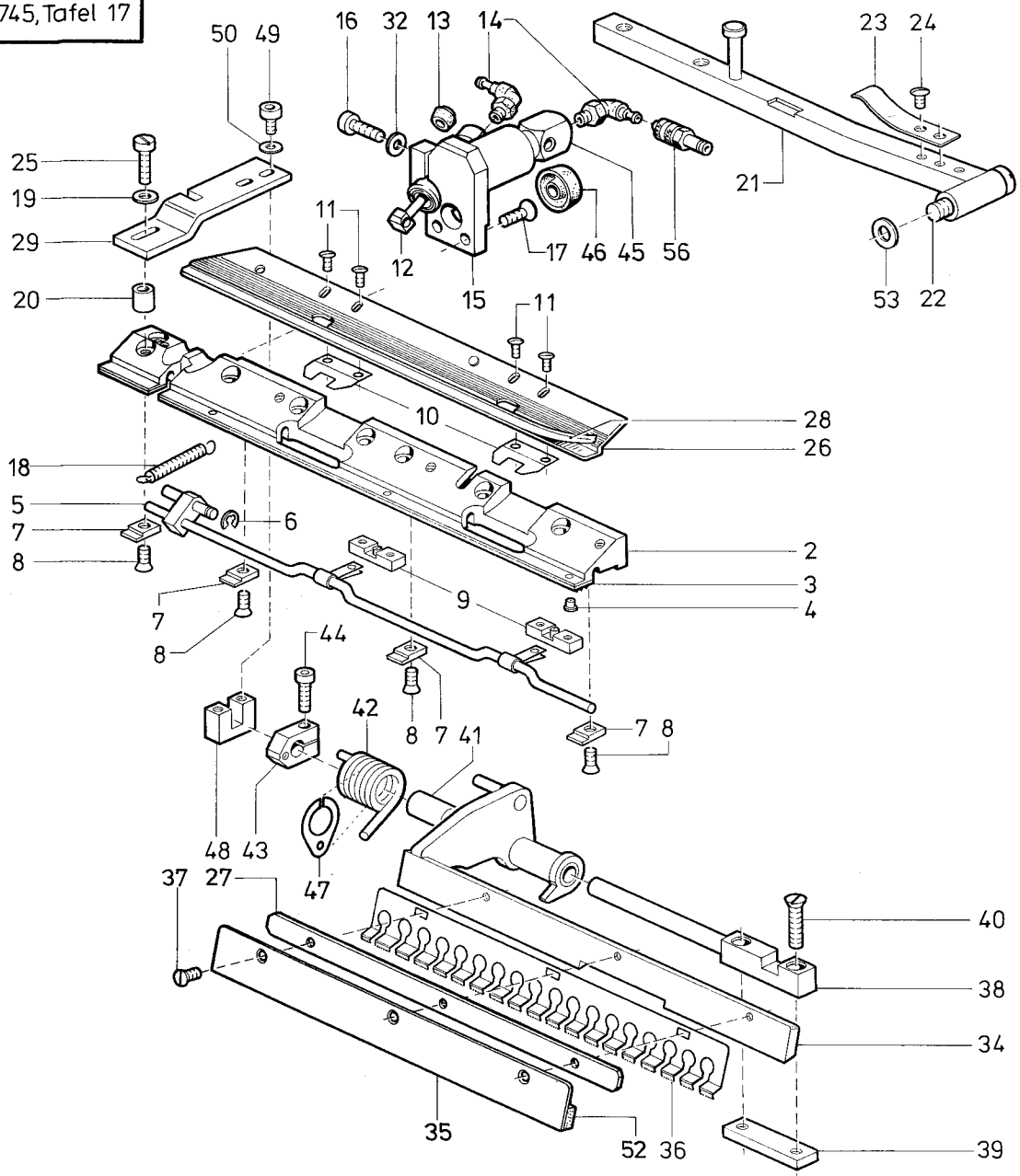




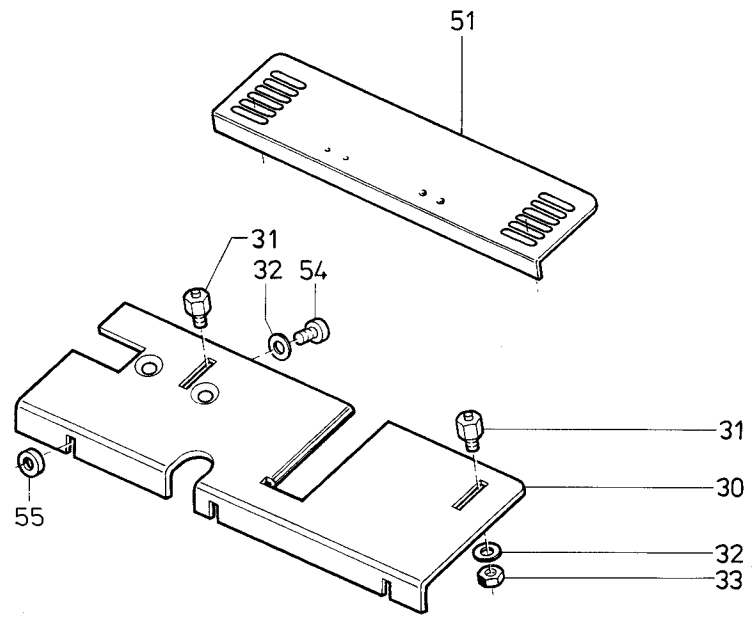
| Pos. Det. | Teile Nr. Part No. | Benennung  | Denomination  |
|-----------|--------------------|--|---|
| 1         | 79210501           | Klammereinrichtung<br>„K 13“ kpl. für 180 mm<br>(best. aus Pos. 2 und<br>auf Tafel 17, Pos. 1) | Clamp equipment<br>„K 13“ cpl. for 180 mm<br>(cons. of pos. 2 and<br>on table 17, pos. 1) |
| 2         | 79210503           | Klammer links, kpl.<br>(best. aus Pos. 3<br>bis 58)  | Clamp, left hand cpl.<br>(cons. of pos. 3 up<br>to 58)                                    |
| 3         | 71812786           | Rohrniet   | Pipe rivet  |
| 4         | 79210021           | Kurbel   | Crank   |
| 5         | 10019228           | Sicher.-Scheibe  | Lock washer   |
| 6         | 74640014           | Platte   | Plate   |
| 7         | 74255716           | Senkschraube   | Countersunk screw   |
| 8         | 74640017           | Führungsbock   | Guide block   |
| 9         | 74640021           | Blattfeder   | Leaf spring   |
| 10        | 911339             | Linsenschraube   | Fillister head screw  |
| 11        | 79210061           | Zylinder kpl.<br>(mit Pos. 51)   | Cylinder cpl.<br>(with pos. 51)   |
| 12        | 746768             | Stecknippel  | Plug nipple   |
| 13        | 79210521           | Klemmstück kpl.<br>(mit Pos. 14 und 32)  | Clamping piece cpl.<br>(with pos. 14 and 32)  |
| 14        | 74420778           | Zyl.-Schraube  | Cyl. head screw   |
| 15        | 271169             | Senkschraube   | Countersunk screw   |
| 16        | 216152             | Zugfeder   | Draw spring   |
| 17        | 531460             | Scheibe  | Washer  |
| 18        | 74640118a          | Hülse  | Sleeve  |
| 19        | 21646              | Zyl.-Schraube  | Cyl. head screw   |
| 20        | 7928057            | Klammerhalter  | Clamp holder  |
| 21        | 7928063            | Blattfeder   | Leaf spring   |
| 22        | 10019130           | Linsenschraube   | Fillister head screw  |
| 23        | 7928066            | Ansatzschraube   | Shoulder screw  |
| 24        | 74640023           | Faltblech kpl.<br>(mit Pos. 26)  | Fold plate cpl.<br>(with pos. 26)   |
| 25        | 7928229            | Leiste   | Reglet  |
| 26        | 74640027           | Reflexfolie  | Reflex foil   |
| 27        | 7928406            | Platte   | Plate   |
| 28        | 271189             | Zyl.-Schraube  | Cyl. head screw   |
| 29        | 531460             | Scheibe  | Washer  |
| 30        | 79210511           | Auflage  | Support plate   |
| 31        | 74640074           | Distanzstück   | Distance piece  |
| 32        | 5691895            | Scheibe  | Washer  |
| 33        | 202704             | 6kt.-Mutter  | Hexagonal nut   |
| 34        | 74640075           | Anschlag   | Stop  |
| 35        | 7928226            | Leiste kpl.<br>(mit Pos. 58)   | Reglet cpl.<br>(with pos. 58)   |
| 36        | 74640645           | Kralle   | Claw  |

| Pos. Det. | Teile Nr. Part No. | Benennung                               | Denomination                                 |
|-----------|--------------------|---|--|
| 37        | 551987             | Senkschraube                            | Countersunk screw                            |
| 38        | 74640098           | Lagerbolzen                             | Bearing bolt                                 |
| 39        | 74640100           | Gewindelasche                           | Threaded shackle                             |
| 40        | 5702382            | Senkschraube                            | Countersunk screw                            |
| 41        | 79210372           | Buchse                                  | Bushing                                      |
| 42        | 74640221           | Drehfeder                               | Torsion spring                               |
| 43        | 74640091           | Kloben kpl.<br>(mit Pos. 44)            | Block cpl.<br>(with pos. 44)                 |
| 44        | 7441968            | Zyl.-Schraube                           | Cyl. head screw                              |
| 45        | 74640119           | Führungsstück                           | Guide piece                                  |
| 46        | 79210331           | Kolbenstange                            | Piston rod                                   |
| 47        | 2462566            | Lippenring                              | Lip seal                                     |
| 48        | 79210373           | Lasche                                  | Shackle                                      |
| 49        | 79210005           | Druckleiste kpl.<br>(mit Pos. 3 und 50) | Pressure border cpl.<br>(with pos. 3 and 50) |
| 50        | 74640006           | Transportstreifen, lang                 | Transport strip, long                        |
|           | 7928010            | Transportstreifen, kurz                 | Transport strip, short                       |
| 51        | 246348             | Lippenring                              | Lip seal                                     |
| 52        | 79210551           | Pattenklemme                            | Flap clamping                                |
| 53        | 7928065            | Scheibe                                 | Washer                                       |
| 55        | 74640379           | Kupplungsstecker                        | Coupler plug                                 |
| 56        | 10019243           | Scheibe                                 | Washer                                       |
| 57        | 271125             | Linsenschraube                          | Fillister head screw                         |
| 58        | 00290227200        | Gummistreifen                           | Rubber strip                                 |

| Pos. Det. | Teile Nr. Part No. | Benennung | Denomination |
|-----------|--------------------|-----------|--------------|
|-----------|--------------------|-----------|--------------|



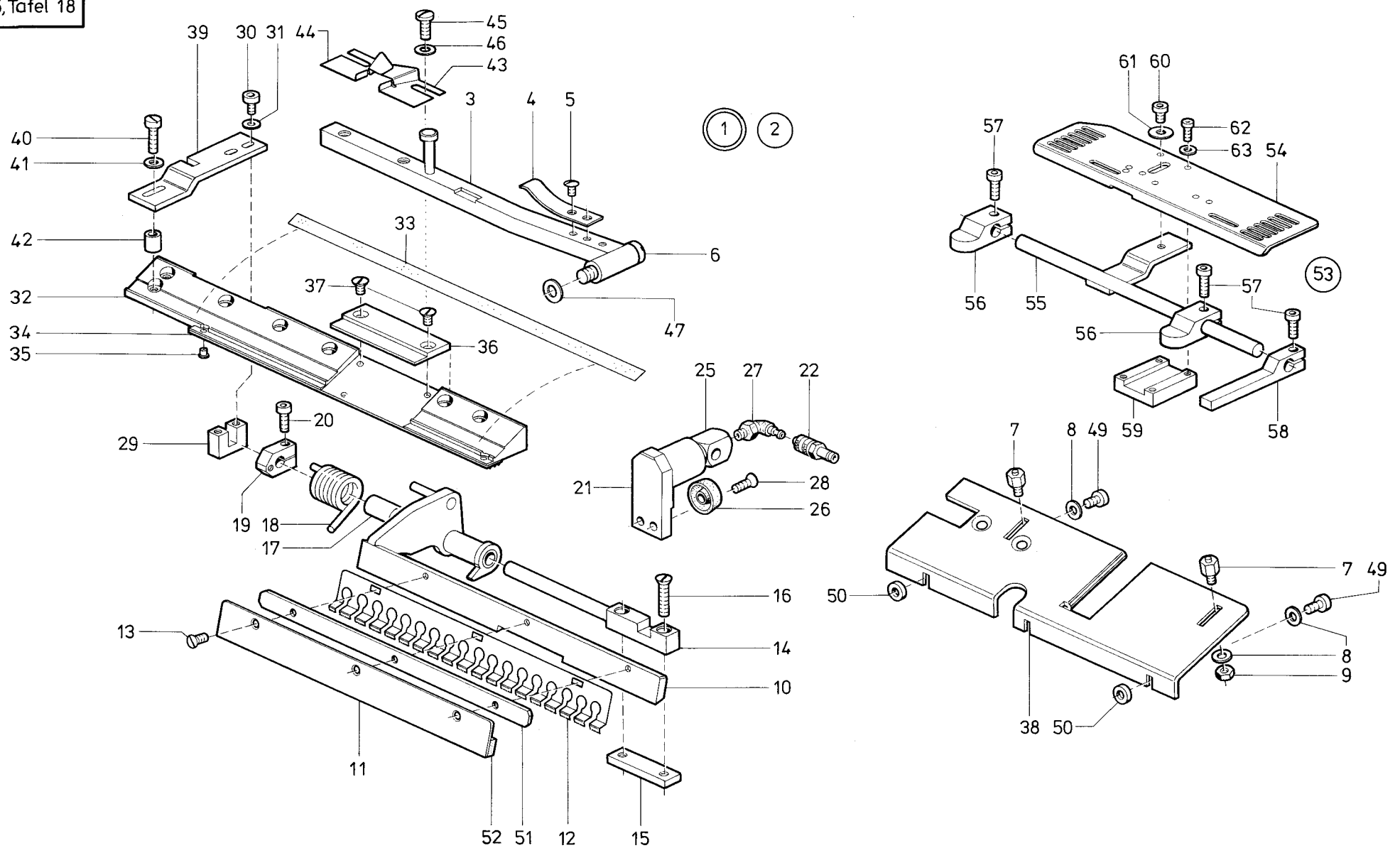
1



| Pos. Det. | Teile Nr. Part No. | Benennung   | Denomination  |
|-----------|--------------------|---|---|
| 1         | 79210653           | Klammer, rechts kpl.<br>(best. aus Pos. 2 bis 56) | Clamp, right hand, cpl.<br>(cons. of pos. 2 up to 56) |
| 2         | 79210155           | Druckleiste kpl.<br>(mit Pos. 3 und 4)            | Pressure border cpl.<br>(with pos. 3 and 4)           |
| 3         | 74640006           | Transportstreifen, lang                           | Transport strip, long                                 |
|           | 7928010            | Transportstreifen, kurz                           | Transport strip, short                                |
| 4         | 71812786           | Rohrniet  | Pipe rivet  |
| 5         | 79210171           | Kurbel  | Crank   |
| 6         | 10019228           | Sicher.-Scheibe                                   | Lock washer   |
| 7         | 74640014           | Platte  | Plate   |
| 8         | 74255716           | Senkschraube                                      | Countersunk screw                                     |
| 9         | 74640017           | Führungsbock                                      | Guide block   |
| 10        | 74640021           | Blattfeder  | Leaf spring   |
| 11        | 911339             | Linsenschraube                                    | Fillister head screw                                  |
| 12        | 79210061           | Zylinder kpl.<br>(mit Pos. 13)                    | Cylinder cpl.<br>(with pos. 13)                       |
| 13        | 246348             | Lippenring  | Lip seal  |
| 14        | 746768             | Stecknippel                                       | Plug nipple   |
| 15        | 79210321           | Klemmstück kpl.<br>(mit Pos. 16 und 32)           | Clamping piece cpl.<br>(with pos. 16 and 32)          |
| 16        | 74420778           | Zyl.-Schraube                                     | Cyl. head screw                                       |
| 17        | 271169             | Senkschraube                                      | Countersunk screw                                     |
| 18        | 216152             | Zugfeder  | Draw spring   |
| 19        | 531460             | Scheibe   | Washer  |
| 20        | 74640118a          | Hülse   | Sleeve  |
| 21        | 7928157            | Klammerhalter                                     | Clamp holder  |
| 22        | 7928066            | Ansatzschraube                                    | Shoulder screw  |
| 23        | 7928163            | Blattfeder  | Leaf spring   |
| 24        | 10019130           | Linsenschraube                                    | Fillister head screw                                  |
| 25        | 21646              | Zyl.-Schraube                                     | Cyl. head screw                                       |
| 26        | 74640323           | Faltblech kpl.<br>(mit Pos. 28)                   | Fold plate cpl.<br>(with pos. 28)                     |
| 27        | 7928225            | Leiste  | Reglet  |
| 28        | 74640027           | Reflexfolie                                       | Reflex foil   |
| 29        | 7928211            | Platte  | Plate   |
| 30        | 79210311           | Auflage   | Support plate   |
| 31        | 74640074           | Distanzstück                                      | Distance piece  |
| 32        | 5691895            | Scheibe   | Washer  |
| 33        | 202704             | 6kt.-Mutter                                       | Hexagonal nut   |
| 34        | 79210351           | Pattenklemme                                      | Flap clamping   |
| 35        | 7928226            | Leiste kpl.<br>(mit Pos. 52)                      | Reglet cpl.<br>(with pos. 52)                         |
| 36        | 74640645           | Kralle  | Claw  |
| 37        | 551987             | Senkschraube                                      | Countersunk screw                                     |

| Pos. Det. | Teile Nr. Part No. | Benennung                    | Denomination                 |
|-----------|--------------------|------------------------------|------------------------------|
| 38        | 74640098           | Lagerbolzen                  | Bearing bolt                 |
| 39        | 74640100           | Gewindelasche                | Threaded shackle             |
| 40        | 5702382            | Senkschraube                 | Countersunk screw            |
| 41        | 79210372           | Buchse                       | Bushing                      |
| 42        | 74640325           | Drehfeder                    | Torsion spring               |
| 43        | 74640091           | Kloben kpl.<br>(mit Pos. 44) | Block cpl.<br>(with pos. 44) |
| 44        | 7441968            | Zyl.-Schraube                | Cyl. head screw              |
| 45        | 79210331           | Kolbenstange                 | Piston rod                   |
| 46        | 2462566            | Lippenring                   | Lip seal                     |
| 47        | 79210373           | Lasche                       | Shackle                      |
| 48        | 74640119           | Führungsstück                | Guide piece                  |
| 49        | 271189             | Zyl.-Schraube                | Cyl. head screw              |
| 50        | 531460             | Scheibe                      | Washer                       |
| 51        | 74640310           | Anschlag                     | Stop                         |
| 52        | 00290227200        | Gummistreifen                | Rubber strip                 |
| 53        | 7928065            | Scheibe                      | Washer                       |
| 54        | 271125             | Linsenschraube               | Fillister head screw         |
| 55        | 10019243           | Scheibe                      | Washer                       |
| 56        | 74640379           | Kupplungsstecker             | Coupler plug                 |

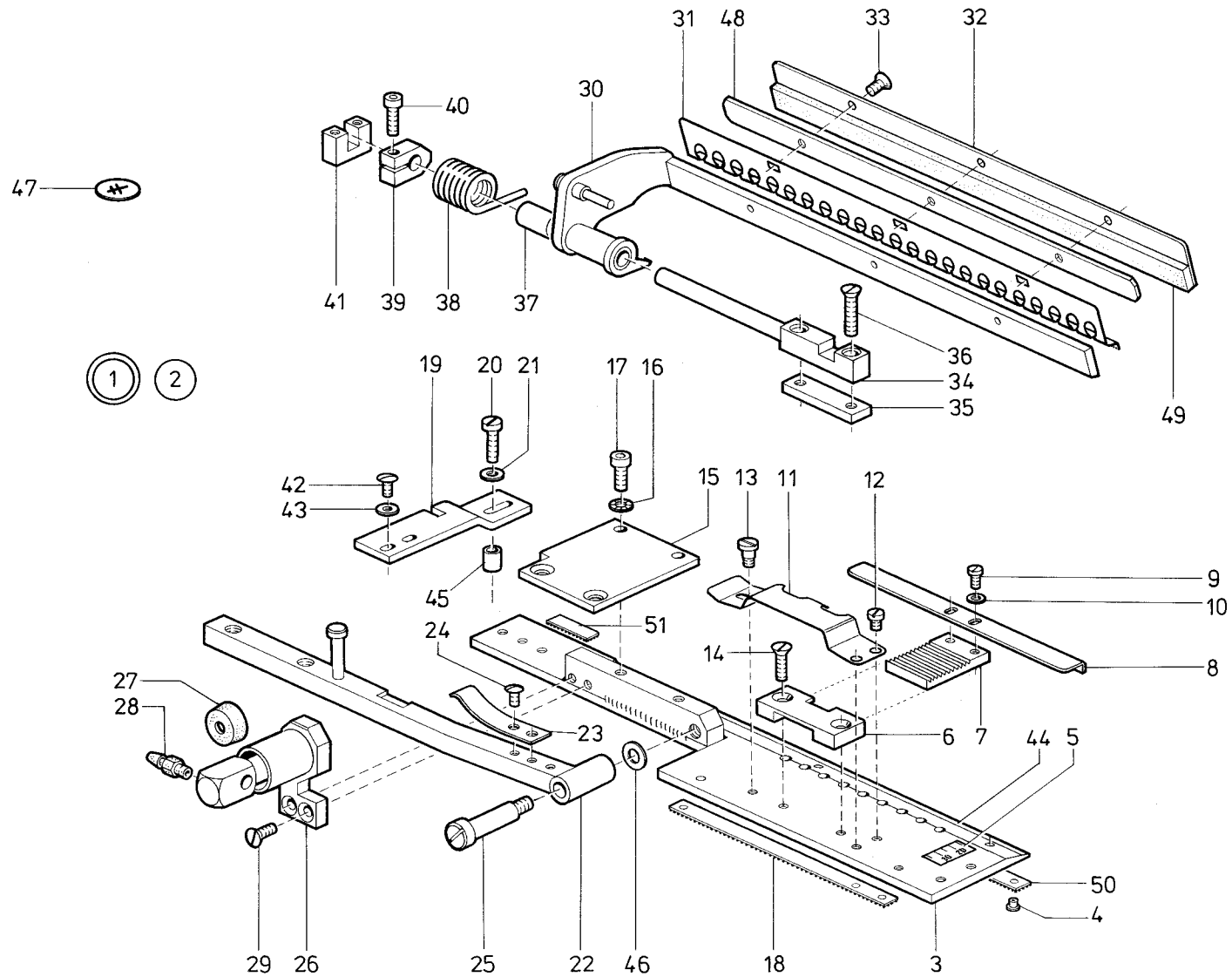
| Pos. Det. | Teile Nr. Part No. | Benennung | Denomination |
|-----------|--------------------|-----------|--------------|
|-----------|--------------------|-----------|--------------|



| Pos. Det. | Teile Nr. Part No. | Benennung   | Denomination   |
|-----------|--------------------|---|--|
| 1         | 79210701           | Klammereinrichtung<br>„K 14“ kpl., für 180 mm<br>(best. aus Pos. 2 und<br>auf Tafel 14, Pos. 2) | Clamp equipment<br>„K 14“ cpl., for 180 mm<br>(cons. of pos. 2 and<br>on table 14, pos. 2) |
| 2         | 79210703           | Klammer rechts, kpl.<br>(best. aus Pos. 3 bis 63)   | Clamp, right hand cpl.<br>(cons. of pos. 3 up to 63)                                       |
| 3         | 7928157            | Klammerhalter   | Clamp holder   |
| 4         | 7926163            | Blattfeder  | Leaf spring  |
| 5         | 10019130           | Linsenschraube  | Fillister head screw   |
| 6         | 7928066            | Ansatzschraube  | Shoulder screw   |
| 7         | 74640074           | Distanzstück  | Distance piece   |
| 8         | 5691895            | Scheibe   | Washer   |
| 9         | 202704             | 6kt.-Mutter   | Hexagonal nut  |
| 10        | 79210351           | Pattenklemme  | Flap clamping  |
| 11        | 7928226            | Leiste kpl.<br>(mit Pos. 52)  | Reglet cpl.<br>(with pos. 52)  |
| 12        | 74640645           | Kralle  | Claw   |
| 13        | 551987             | Senkschraube  | Countersunk screw  |
| 14        | 74640098           | Lagerbolzen   | Bearing bolt   |
| 15        | 74640100           | Gewindelasche   | Threaded shackle   |
| 16        | 5702382            | Senkschraube  | Countersunk screw  |
| 17        | 79210372           | Buchse  | Bushing  |
| 18        | 74640325           | Drehfeder   | Torsion spring   |
| 19        | 74640091           | Kloben kpl.<br>(mit Pos. 20)  | Block cpl.<br>(with pos. 20)   |
| 20        | 7441968            | Zyl.-Schraube   | Cyl. head screw  |
| 21        | 79210711           | Halter  | Holder   |
| 22        | 74640379           | Kupplungsstecker  | Coupler plug   |
| 25        | 79210331           | Kolbenstange  | Piston rod   |
| 26        | 2462566            | Lippenring  | Lip seal   |
| 27        | 746768             | Stecknippel   | Plug nipple  |
| 28        | 90297              | Senkschraube  | Countersunk screw  |
| 29        | 74640119           | Führungsstück   | Guide piece  |
| 30        | 271189             | Zyl.-Schraube   | Cyl. head screw  |
| 31        | 531460             | Scheibe   | Washer   |
| 32        | 79210705           | Druckleiste kpl.<br>(mit Pos. 33, 34, 35)   | Pressure border cpl.<br>(with pos. 33, 34, 35)   |
| 33        | 74640027           | Reflexfolie   | Reflex foil  |
| 34        | 74640006           | Transportstreifen, lang   | Transport strip, long  |
|           | 7928010            | Transportstreifen, kurz   | Transport strip, short   |
| 35        | 71812786           | Rohmriet  | Pipe rivet   |
| 36        | 74640351           | Aufnahme  | Plate  |
| 37        | 7395024            | Senkschraube  | Countersunk screw  |
| 38        | 79210311           | Auflage   | Supporting plate   |
| 39        | 7928211            | Halter  | Holder   |

| Pos. Det. | Teile Nr. Part No. | Benennung  | Denomination                                      |
|-----------|--------------------|--|---|
| 40        | 21646              | Zyl.-Schraube                                      | Cyl. head screw                                   |
| 41        | 531460             | Scheibe  | Washer  |
| 42        | 74640118a          | Hülse  | Sleeve  |
| 43        | 74640353           | Schlaufenführung                                   | Loop guidance                                     |
| 44        | 74640354           | Schlaufenführung                                   | Loop guidance                                     |
| 45        | 9336268            | Linsenschraube                                     | Fillister head screw                              |
| 46        | 024275             | Scheibe  | Washer  |
| 47        | 7928065            | Scheibe  | Washer  |
| 49        | 271125             | Linsenschraube                                     | Fillister head screw                              |
| 50        | 10019243           | Scheibe  | Washer  |
| 51        | 7928225            | Leiste   | Reglet  |
| 52        | 00290227200        | Gummistreifen                                      | Rubber strip                                      |
| 53        | 7928311            | Formanschlag kpl.<br>(best. aus Pos. 54<br>bis 63) | Shape stop cpl.<br>(cons. of pos. 54 up<br>to 63) |
| 54        | 74640338           | Halter   | Holder  |
| 55        | 7928321            | Stange   | Rod   |
| 56        | 7928326            | Kloben kpl.<br>(mit Pos. 57)                       | Block cpl.<br>(with pos. 57)                      |
| 57        | 570912             | Zyl.-Schraube                                      | Cyl. head screw                                   |
| 58        | 7928328            | Anschlag kpl.<br>(mit Pos. 57)                     | Stop cpl.<br>(with pos. 57)                       |
| 59        | 7928334            | Führung  | Guidance  |
| 60        | 939394             | Zyl.-Schraube                                      | Cyl. head screw                                   |
| 61        | 55890              | Scheibe  | Washer  |
| 62        | 933335             | Zyl.-Schraube                                      | Cyl. head screw                                   |
| 63        | 1005233            | Scheibe  | Washer  |

| Pos. Det. | Teile Nr. Part No. | Benennung | Denomination |
|-----------|--------------------|-----------|--------------|
|-----------|--------------------|-----------|--------------|

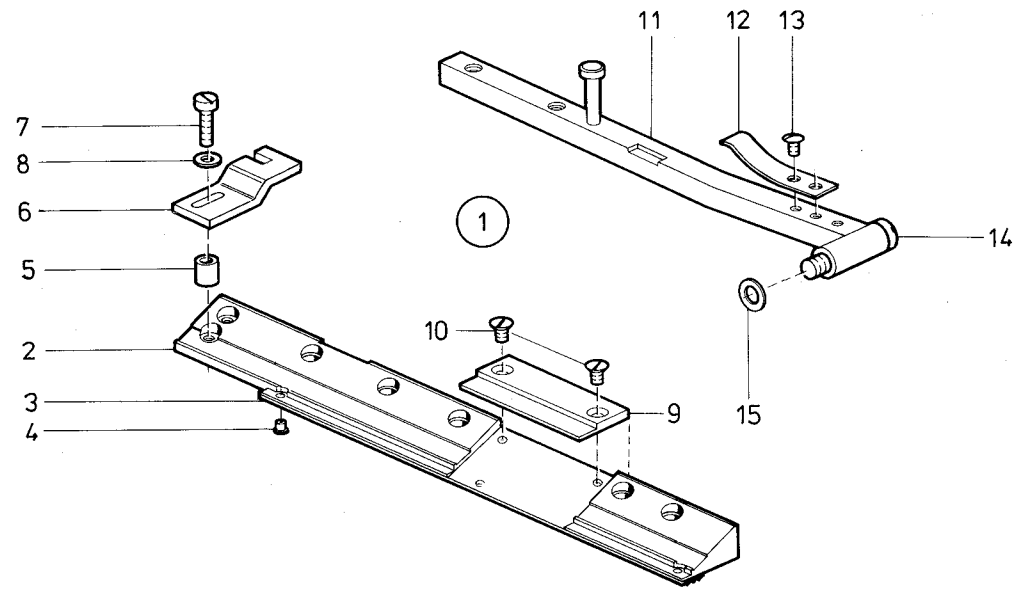


| Pos. Det. | Teile Nr. Part No. | Benennung  | Denomination  |
|-----------|--------------------|--|---|
| 1         | 7928801            | Klammereinrichtung „K 5“ kpl. (best. aus Pos. 2 und auf Tafel 20 Pos. 1) | Cramp equipment „K 5“ cpl. (cons. of pos. 2 and on table 20 pos. 1) |
| 2         | 7928803            | Klammer links, kpl. (best. aus Pos. 3 bis 46)                            | Cramp, left hand, cpl. (cons. of pos. 3 up to 46)                   |
| 3         | 74640505           | Druckleiste kpl. (mit Pos. 4, 18, 44, 50, 51)                            | Pressure border cpl. (with pos. 4, 18, 44, 50, 51)                  |
| 4         | 7463265            | Niet   | Rivet   |
| 5         | 74640530           | Skala  | Scale foil  |
| 6         | 74640511           | Führung  | Guidance  |
| 7         | 74640527           | Leiste   | Reglet  |
| 8         | 74640528           | Anschlag   | Stop  |
| 9         | 5561686            | Zyl.-Schraube  | Cyl. head screw   |
| 10        | 1005233            | Scheibe  | Washer  |
| 11        | 74640523           | Blattfeder   | Leaf spring   |
| 12        | 556947             | Zyl.-Schraube  | Cyl. head screw   |
| 13        | 2196367            | Ansatzschraube   | Shoulder screw  |
| 14        | 90297              | Senkschraube   | Countersunk screw   |
| 15        | 74640513           | Platte   | Plate   |
| 16        | MG 43/2950a        | Fächerscheibe  | Lock Washer   |
| 17        | 2461049            | Zyl.-Schraube  | Cyl. head screw   |
| 18        | 74640509           | Transportstreifen  | Transport strip   |
| 19        | 7928406            | Platte   | Plate   |
| 20        | 21646              | Zyl.-Schraube  | Cyl. head screw   |
| 21        | 531460             | Scheibe  | Washer  |
| 22        | 7928057            | Klammerhalter  | Cramp holder  |
| 23        | 7928847            | Blattfeder   | Leaf spring   |
| 24        | 10019130           | Linsenschraube   | Fillister head screw  |
| 25        | 7928066            | Ansatzschraube   | Shoulder screw  |
| 26        | 74640222           | Zylinder kpl. (mit Pos. 27)  | Cylinder cpl. (with pos. 27)  |
| 27        | 2462566            | Lippenring   | Lip seal  |
| 28        | 7972016            | Schlauchtülle  | Hose nozzle   |
| 29        | 90297              | Senkschraube   | Countersunk screw   |
| 30        | 74640412           | Pattenklemme   | Flap clamping   |
| 31        | 74640419           | Kralle   | Claw  |
| 32        | 7928835            | Leiste kpl. (mit Pos. 49)  | Reglet cpl. (with pos. 49)  |
| 33        | 551987             | Senkschraube   | Countersunk screw   |
| 34        | 74640098           | Lagerbolzen  | Bearing bolt  |
| 35        | 74640100           | Gewindelasche  | Thread shackle  |
| 36        | 5702382            | Senkschraube   | Countersunk screw   |

| Pos. Det. | Teile Nr. Part No. | Benennung                 | Denomination              |
|-----------|--------------------|---------------------------|---------------------------|
| 37        | 79210372           | Buchse                    | Bushing                   |
| 38        | 74640221           | Drehfeder                 | Torsion spring            |
| 39        | 74640091           | Kloben kpl. (mit Pos. 40) | Block cpl. (with pos. 40) |
| 40        | 7441968            | Zyl.-Schraube             | Cyl. head screw           |
| 41        | 74640119           | Führungsstück             | Guide piece               |
| 42        | 219353             | Linsenschraube            | Fillister head screw      |
| 43        | 531460             | Scheibe                   | Washer                    |
| 44        | 74640027           | Reflexfolie               | Reflex foil               |
| 45        | 74640118a          | Hülse                     | Sleeve                    |
| 46        | 7928065            | Scheibe                   | Washer                    |
| 47        | 7928802            | Blende                    | Diaphragm insert          |
| 48        | 7928834            | Leiste                    | Reglet                    |
| 49        | 00290227200        | Gummistreifen             | Rubber strip              |
| 50        | 74640006           | Transportstreifen         | Transport strip           |
| 51        | 7928010            | Transportstreifen         | Transport strip           |

| Pos. Det. | Teile Nr. Part No. | Benennung | Denomination |
|-----------|--------------------|-----------|--------------|
|-----------|--------------------|-----------|--------------|

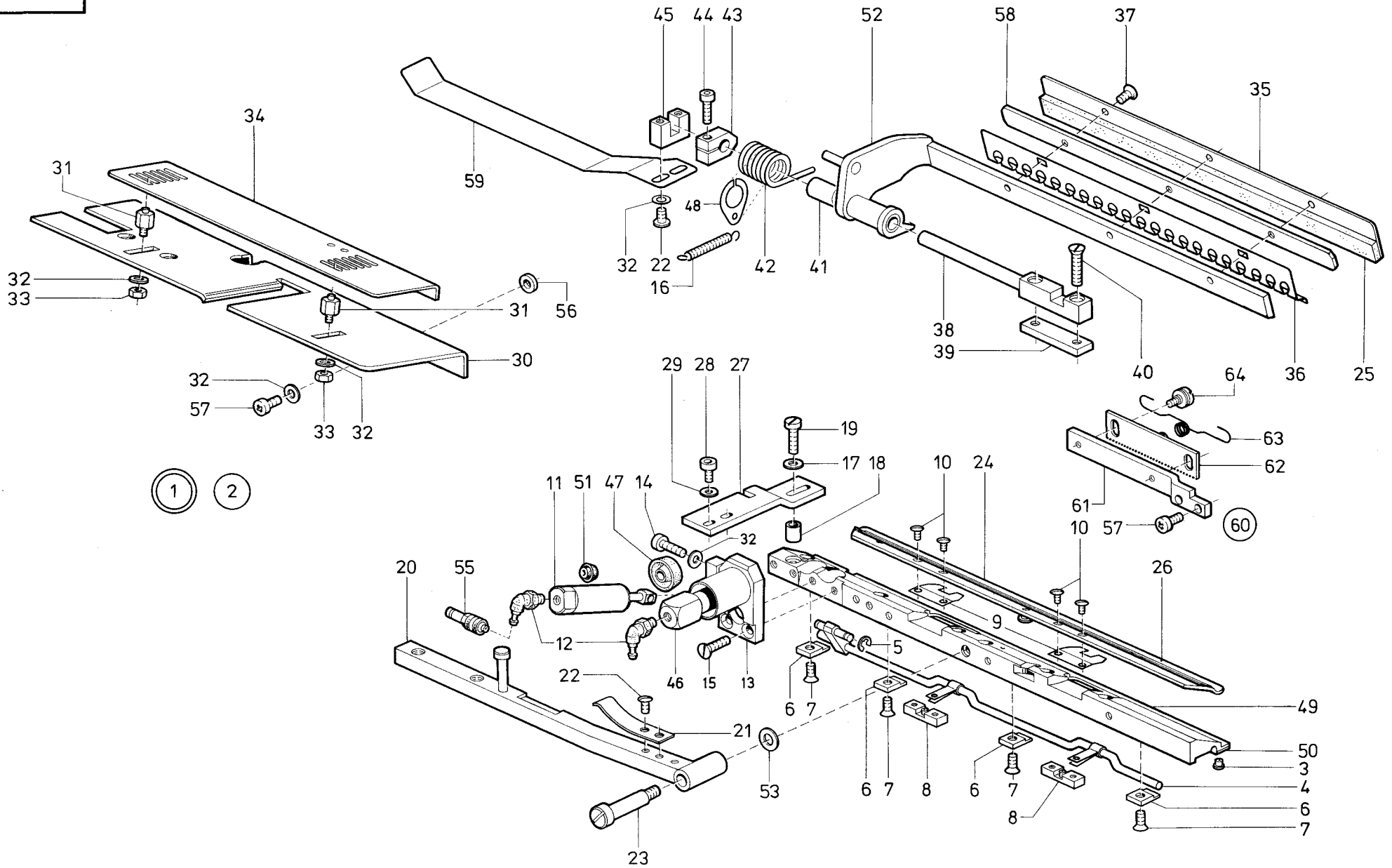




| Pos. Det. | Teile Nr. Part No. | Benennung   | Denomination  |
|-----------|--------------------|---|---|
| 1         | 7928853            | Klammer rechts, kpl.<br>(best. aus Pos. 2 bis 15) | Cramp, right hand, cpl.<br>(cons. of pos. 2 up to 15) |
| 2         | 7928855            | Druckleiste kpl.<br>(mit Pos. 3 und 4)            | Pressure border cpl.<br>(with pos. 3 and 4)           |
| 3         | 74640006           | Transportstreifen                                 | Transport strip                                       |
| 4         | 71812786           | Rohrniet  | Pipe rivet  |
| 5         | 74640118a          | Hülse   | Sleeve  |
| 6         | 7928153            | Platte  | Plate   |
| 7         | 21646              | Zyl.-Schraube                                     | Cyl. head screw                                       |
| 8         | 531460             | Scheibe   | Washer  |
| 9         | 74640351           | Aufnahme  | Plate   |
| 10        | 7395024            | Senkschraube                                      | Countersunk screw                                     |
| 11        | 7928157            | Klammerhalter                                     | Cramp holder  |
| 12        | 7928163            | Blattfeder  | Leaf spring   |
| 13        | 10019128           | Linsenschraube                                    | Fillister head screw                                  |
| 14        | 7928066            | Ansatzschraube                                    | Shoulder screw  |
| 15        | 7928065            | Scheibe   | Washer  |

| Pos. Det. | Teile Nr. Part No. | Benennung | Denomination |
|-----------|--------------------|-----------|--------------|
|-----------|--------------------|-----------|--------------|

| Pos. Det. | Teile Nr. Part No. | Benennung | Denomination |
|-----------|--------------------|-----------|--------------|
|-----------|--------------------|-----------|--------------|



| Pos. Det. | Teile Nr. Part No. | Benennung   | Denomination   |
|-----------|--------------------|---|--|
| 1         | 79210901           | Klammereinrichtung „K 16“ kpl. für 220 mm (best. aus Pos. 2 und auf Tafel 22, Pos. 1) | Clamp equipment „K 16“ cpl. for 220 mm (cons. of pos. 2 and on table 22, pos. 1) |
| 2         | 79210903           | Klammer links, kpl. (best. aus Pos. 3 bis 64)   | Clamp, left hand cpl. (cons. of pos. 3 up to 64)                                 |
| 3         | 71812786           | Rohrniet  | Pipe rivet   |
| 4         | 79210021           | Kurbel  | Crank  |
| 5         | 10019228           | Sicher.-Scheibe   | Lock washer  |
| 6         | 74640014           | Platte  | Plate  |
| 7         | 74255716           | Senkschraube  | Countersunk screw  |
| 8         | 74640017           | Führungsbock  | Guide block  |
| 9         | 74640021           | Blattfeder  | Leaf spring  |
| 10        | 911339             | Linsenschraube  | Fillister head screw   |
| 11        | 79210061           | Zylinder kpl. (mit Pos. 51)   | Cylinder cpl. (with pos. 51)   |
| 12        | 746768             | Stecknippel   | Plug nipple  |
| 13        | 79210521           | Klemmstück kpl. (mit Pos. 14 und 32)  | Clamping piece cpl. (with pos. 14 and 32)  |
| 14        | 74420778           | Zyl.-Schraube   | Cyl. head screw  |
| 15        | 271169             | Senkschraube  | Countersunk screw  |
| 16        | 216152             | Zugfeder  | Draw spring  |
| 17        | 531460             | Scheibe   | Washer   |
| 18        | 74640118a          | Hülse   | Sleeve   |
| 19        | 21646              | Zyl.-Schraube   | Cyl. head screw  |
| 20        | 79210951           | Klammerhalter   | Clamp holder   |
| 21        | 7928063            | Blattfeder  | Leaf spring  |
| 22        | 10019130           | Linsenschraube  | Fillister head screw   |
| 23        | 7928066            | Ansatzschraube  | Shoulder screw   |
| 24        | 74640401           | Faltblech kpl. (mit Pos. 26)  | Fold plate cpl. (with pos. 26)   |
| 25        | 00290227200        | Gummistreifen   | Rubber strip   |
| 26        | 74640027           | Reflexfolie   | Reflex foil  |
| 27        | 7928406            | Platte  | Plate  |
| 28        | 271189             | Zyl.-Schraube   | Cyl. head screw  |
| 29        | 531460             | Scheibe   | Washer   |
| 30        | 79210916           | Auflage   | Supporting plate   |
| 31        | 74640074           | Distanzstück  | Distance piece   |
| 32        | 5691895            | Scheibe   | Washer   |
| 33        | 202704             | 6kt.-Mutter   | Hexagonal nut  |
| 34        | 79210917           | Anschlag  | Stop   |
| 35        | 7928835            | Leiste kpl. (mit Pos. 25)   | Reglet cpl. (with pos. 25)   |
| 36        | 74640419           | Kralle  | Claw   |

| Pos. Det. | Teile Nr. Part No. | Benennung                                       | Denomination                                      |
|-----------|--------------------|---|---|
| 37        | 551987             | Senkschraube                                    | Countersunk screw                                 |
| 38        | 74640098           | Lagerbolzen                                     | Bearing bolt                                      |
| 39        | 74640100           | Gewindelasche                                   | Threaded shackle                                  |
| 40        | 5702382            | Senkschraube                                    | Countersunk screw                                 |
| 41        | 79210372           | Buchse  | Bushing   |
| 42        | 74640221           | Drehfeder                                       | Torsion spring                                    |
| 43        | 74640091           | Kloben kpl. (mit Pos. 44)                       | Block cpl. (with pos. 44)                         |
| 44        | 7441968            | Zyl.-Schraube                                   | Cyl. head screw                                   |
| 45        | 74640119           | Führungsstück                                   | Guide piece                                       |
| 46        | 79210331           | Kolbenstange                                    | Piston rod  |
| 47        | 2462566            | Lippenring                                      | Lip seal  |
| 48        | 79210373           | Lasche  | Shackle   |
| 49        | 79210905           | Druckleiste kpl. (mit Pos. 3 und 50)            | Pressure border cpl. (with pos. 3 and 50)         |
| 50        | 74640398           | Transportstreifen, lang                         | Transport strip, long                             |
|           | 7928010            | Transportstreifen, kurz                         | Transport strip, short                            |
| 51        | 246348             | Lippenring                                      | Lip seal  |
| 52        | 79210921           | Pattenklemme                                    | Flap clamping                                     |
| 53        | 7928065            | Scheibe   | Washer  |
| 55        | 74640379           | Kupplungsstecker                                | Coupler plug                                      |
| 56        | 10019243           | Scheibe   | Washer  |
| 57        | 271125             | Linsenschraube                                  | Fillister head screw                              |
| 58        | 7928834            | Leiste  | Reglet  |
| 59        | 7928931            | Federblech                                      | Spring sheet                                      |
| 60        | 74640061           | Transportleiste kpl. (best. aus Pos. 61 bis 64) | Transport reglet cpl. (cons. of pos. 61 up to 64) |
| 61        | 74640062           | Haltewinkel                                     | Base angle  |
| 62        | 74640063           | Transportleiste                                 | Transport reglet                                  |
| 63        | 74640067           | Drehfeder                                       | Torsion spring                                    |
| 64        | 74640066           | Ansatzschraube                                  | Shoulder screw                                    |

| Pos. Det. | Teile Nr. Part No. | Benennung | Denomination |
|-----------|--------------------|-----------|--------------|
|-----------|--------------------|-----------|--------------|

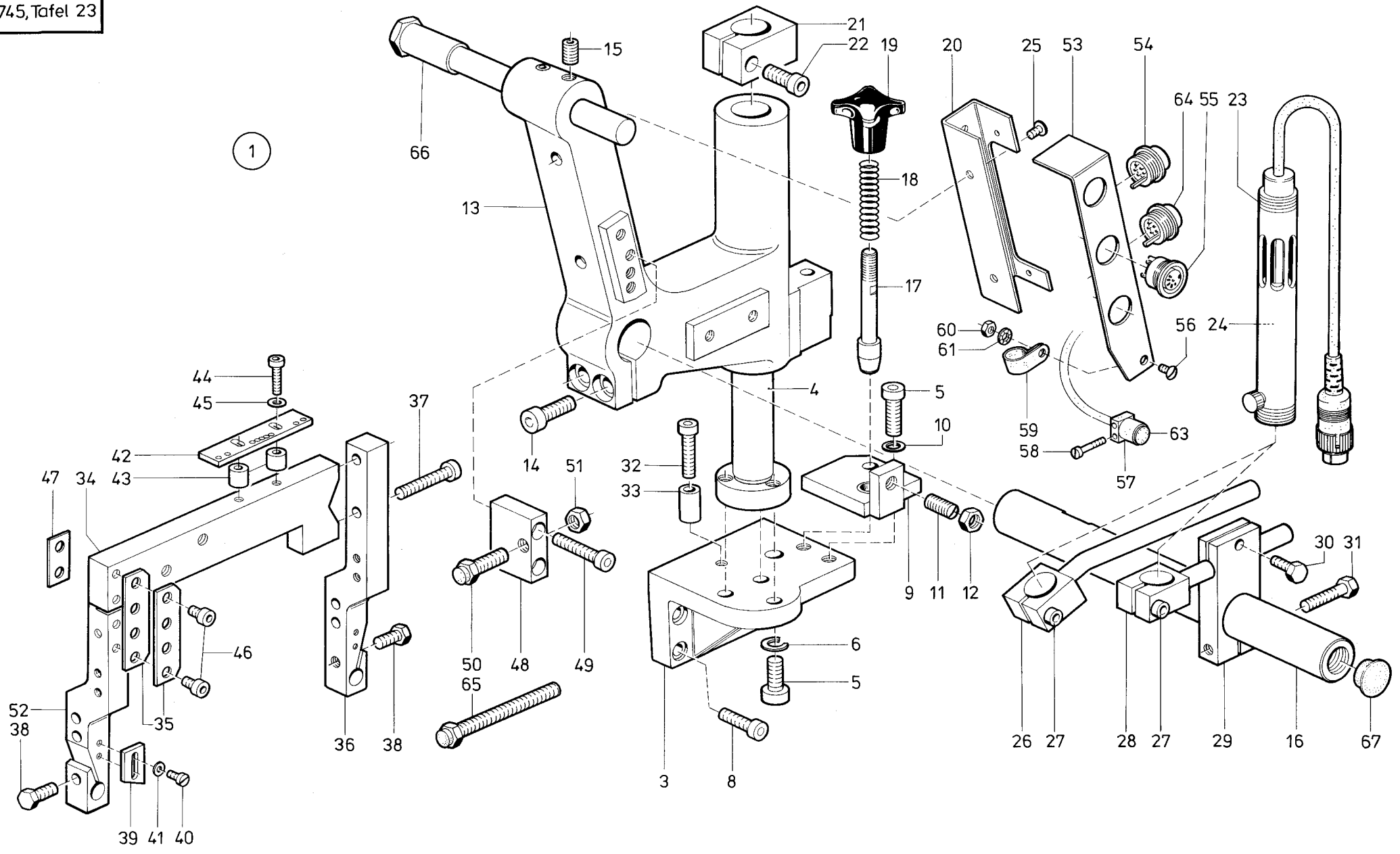


| Pos. Det. | Teile Nr. Part No. | Benennung   | Denomination  |
|-----------|--------------------|---|---|
| 1         | 79211003           | Klammer rechts, kpl. für 220 mm (best. aus Pos. 2 bis 66) | Clamp, right hand, cpl. for 220 mm (cons. of pos. 2 up to 66) |
| 2         | 79211005           | Druckleiste kpl. (mit Pos. 3 und 4)                       | Pressure border cpl. (with pos. 3 and 4)                      |
| 3         | 74640398           | Transportstreifen, lang                                   | Transport strip, long   |
|           | 7928010            | Transportstreifen, kurz                                   | Transport strip, short  |
| 4         | 71812786           | Rohrniet  | Pipe rivet  |
| 5         | 79210171           | Kurbel  | Crank   |
| 6         | 10019228           | Sicher.-Scheibe   | Lock washer   |
| 7         | 74640014           | Platte  | Plate   |
| 8         | 74255716           | Senkschraube  | Countersunk screw   |
| 9         | 74640017           | Führungsbock  | Guide   |
| 10        | 74640021           | Blattfeder  | Leaf spring   |
| 11        | 911339             | Linsenschraube  | Fillister head screw  |
| 12        | 79210061           | Zylinder kpl. (mit Pos. 13)                               | Cylinder cpl. (with pos. 13)                                  |
| 13        | 21154075           | Lippenring  | Lip seal  |
| 14        | 746768             | Stecknippel   | Plug nipple   |
| 15        | 79210321           | Klemmstück kpl. (mit Pos. 16 und 32)                      | Clamping piece cpl. (with pos. 16 and 32)                     |
| 16        | 74420778           | Zyl.-Schraube   | Cyl. head screw   |
| 17        | 271169             | Senkschraube  | Countersunk screw   |
| 18        | 216152             | Zugfeder  | Draw spring   |
| 19        | 531460             | Scheibe   | Washer  |
| 20        | 74640118a          | Hülse   | Sleeve  |
| 21        | 79211051           | Klammerhalter   | Clamp holder  |
| 22        | 7928066            | Ansatzschraube  | Shoulder screw  |
| 23        | 7928163            | Blattfeder  | Leaf spring   |
| 24        | 74640379           | Kupplungsstecker  | Coupler plug  |
| 25        | 21646              | Zyl.-Schraube   | Cyl. head screw   |
| 26        | 74640446           | Faltblech kpl. (mit Pos. 28)                              | Fold plate cpl. (with pos. 28)                                |
| 27        | 00290227200        | Gummistreifen   | Rubber strip  |
| 28        | 74640027           | Reflexfolie   | Reflex foil   |
| 29        | 7928211            | Platte  | Plate   |
| 30        | 79211016           | Auflage   | Supporting plate  |
| 31        | 74640074           | Distanzstück  | Distance piece  |
| 32        | 5691895            | Scheibe   | Washer  |
| 33        | 202704             | 6kt.-Mutter   | Hexagonal nut   |
| 34        | 79211021           | Pattenklemme  | Flap clamping   |
| 35        | 7928835            | Leiste kpl. (mit Pos. 27)                                 | Reglet cpl. (with pos. 27)                                    |
| 36        | 74640419           | Kralle  | Claw  |
| 37        | 551987             | Senkschraube  | Countersunk screw   |

| Pos. Det. | Teile Nr. Part No. | Benennung  | Denomination   |
|-----------|--------------------|--|--|
| 38        | 74640098           | Lagerbolzen  | Bearing bolt   |
| 39        | 74640100           | Gewindelasche  | Threaded shackle                                     |
| 40        | 5702382            | Senkschraube   | Countersunk screw                                    |
| 41        | 79210372           | Buchse   | Bushing  |
| 42        | 74640325           | Drehfeder  | Torsion spring                                       |
| 43        | 74640091           | Kloben kpl. (mit Pos. 44)                            | Block cpl. (with pos. 44)                            |
| 44        | 7441968            | Zyl.-Schraube  | Cyl. head screw                                      |
| 45        | 79210331           | Kolbenstange   | Piston rod   |
| 46        | 2462566            | Lippenring   | Lip seal   |
| 48        | 74640119           | Führungsstück  | Guide piece  |
| 49        | 271189             | Zyl.-Schraube  | Cyl. head screw                                      |
| 50        | 531460             | Scheibe  | Washer   |
| 51        | 74611017           | Anschlag   | Stop   |
| 53        | 7928065            | Scheibe  | Washer   |
| 54        | 271125             | Linsenschraube                                       | Fillister head screw                                 |
| 55        | 10019243           | Scheibe  | Washer   |
| 56        | 79210373           | Lasche   | Shackle  |
| 58        | 7928834            | Leiste   | Reglet   |
| 59        | 7929039            | Federblech   | Leaf-spring sheet                                    |
| 60        | 10019130           | Linsenschraube                                       | Fillister head screw                                 |
| 61        | 74640201           | Transportleiste kpl. (best. aus Pos. 62, 64, 65, 66) | Transport reglet cpl. (cons. of pos. 62, 64, 65, 66) |
| 62        | 74640202           | Haltewinkel  | Base angle   |
| 64        | 74640203           | Transportleiste                                      | Transport reglet                                     |
| 65        | 74640067           | Drehfeder  | Torsion spring                                       |
| 66        | 74640066           | Ansatzschraube                                       | Shoulder screw                                       |

| Pos. Det. | Teile Nr. Part No. | Benennung | Denomination |
|-----------|--------------------|-----------|--------------|
|-----------|--------------------|-----------|--------------|

1

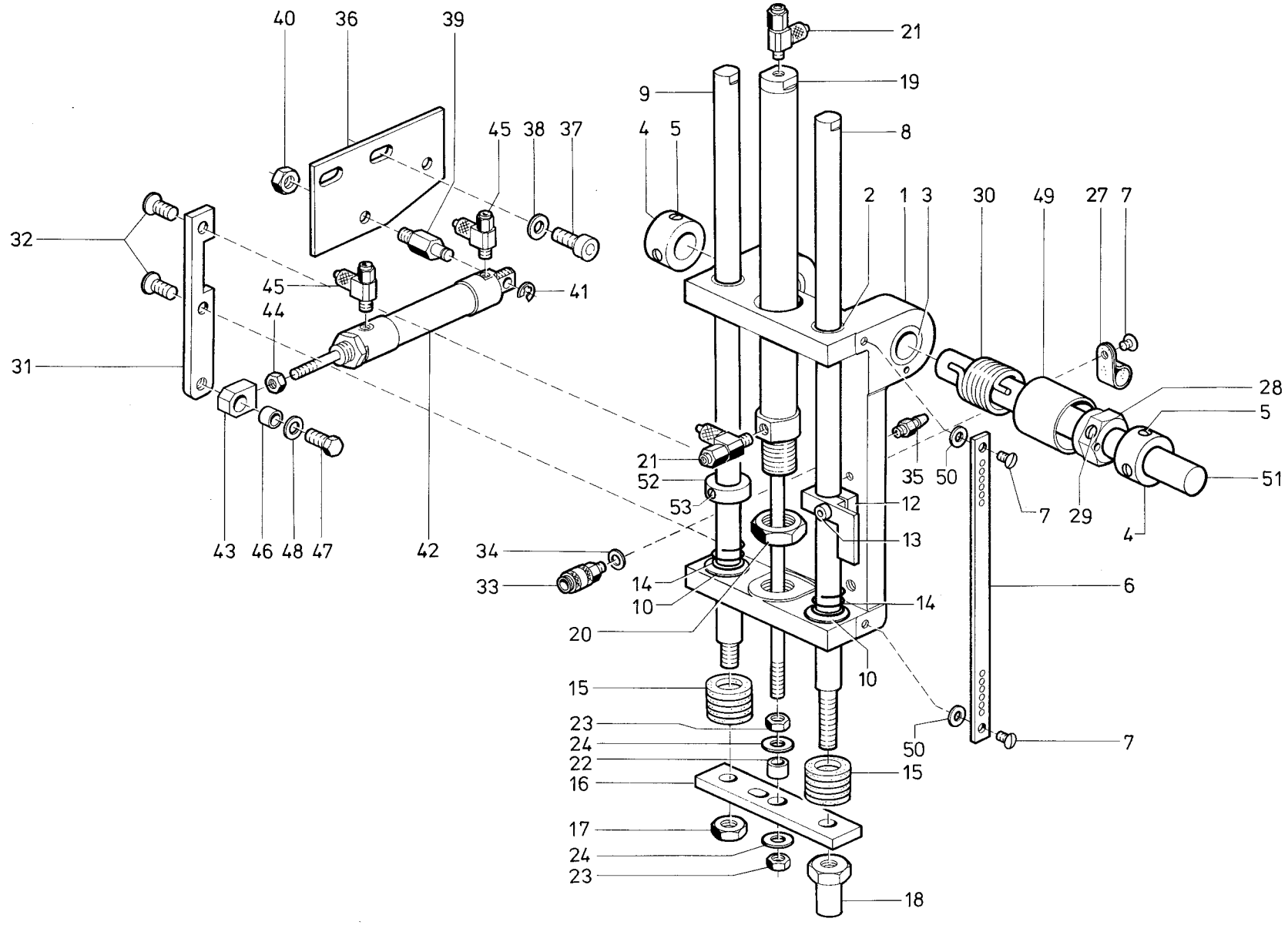


| Pos. Det. | Teile Nr. Part No. | Benennung  | Denomination   |
|-----------|--------------------|--|--|
|           |                    | <b>Einlegestation</b>  | <b>Loading station</b>   |
| 1         | 79320502           | Einlegestation kpl.<br>(best. aus Pos. 3 bis<br>67, Tafel 24, Tafel 25<br>und Tafel 25a) | Loading station cpl.<br>(cons. of pos. 3 up to<br>67, Table 24, Table 25<br>and Table 25a) |
| 3         | 79320092           | Lagerbock  | Bearing block  |
| 4         | 74660807           | Achse  | Axle   |
| 5         | 7425098            | Zyl.-Schraube  | Cyl. head screw  |
| 6         | 7441017            | Federring  | Spring ring  |
| 8         | 5701594            | Zyl.-Schraube  | Cyl. head screw  |
| 9         | 79320101           | Grundplatte  | Base plate   |
| 10        | 72043              | Scheibe  | Washer   |
| 11        | 558769             | Gewindestift   | Threaded stud  |
| 12        | 231454             | 6kt.-Mutter  | Hexagonal nut  |
| 13        | 79320122           | Ständer  | Stay   |
| 14        | 570522             | Zyl.-Schraube  | Cyl. head screw  |
| 15        | 211354             | Gewindestift   | Threaded stud  |
| 16        | 79320126           | Achse  | Axle   |
| 17        | 79320128           | Bolzen   | Bolt   |
| 18        | 74611277           | Druckfeder   | Pressure spring  |
| 19        | 7421708            | Kreuzgriff   | Star grip  |
| 20        | 79320135           | Gehäuse  | Housing  |
| 21        | 74660819           | Klemmstück   | Clamping piece   |
| 22        | 74421026           | Zyl.-Schraube  | Cyl. head screw  |
| 23        | 798281502          | Markierungsleuchte kpl.<br>(mit Pos. 24)   | Mark. lamp cpl.<br>(with pos. 24)  |
| 24        | 798281510          | Glühlampe  | Filament bulb  |
| 25        | 10019130           | Linsenschraube   | Fillister head screw   |
| 26        | 79321428           | Halter kpl.<br>(mit Pos. 27)   | Holder cpl.<br>(with pos. 27)  |
| 27        | 7422036            | Zyl.-Schraube  | Cyl. head screw  |
| 28        | 79320237           | Halter kpl.<br>(mit Pos. 27)   | Holder cpl.<br>(with pos. 27)  |
| 29        | 79320222           | Halter kpl.<br>(mit Pos. 30 und 31)  | Holder cpl.<br>(with pos. 30 and 31)   |
| 30        | 7441658            | 6kt.-Schraube  | Hexagonal screw  |
| 31        | TG 13/42           | 6kt.-Schraube  | Hexagonal screw  |
| 32        | 5701594            | Zyl.-Schraube  | Cyl. head screw  |
| 33        | 74611858           | Buchse   | Bush   |
| 34        | 79320545           | Halter   | Holder   |
| 35        | 79320575           | Blattfeder   | Leaf spring  |
| 36        | 79320551           | Halter   | Holder   |
| 37        | 558312             | Zyl.-Schraube  | Cyl. head screw  |
| 38        | 7441658            | 6kt.-Schraube  | Hexagonal screw  |

| Pos. Det. | Teile Nr. Part No. | Benennung                                      | Denomination  |
|-----------|--------------------|--|---|
| 39        | 74660874           | Anschlag                                       | Stop  |
| 40        | 237624             | Zyl.-Schraube                                  | Cyl. head screw                                     |
| 41        | 1005233            | Scheibe  | Washer  |
| 42        | 79320561           | Leiste   | Reglet  |
| 43        | 74660651           | Buchse   | Bush  |
| 44        | 74420778           | Zyl.-Schraube                                  | Cyl. head screw                                     |
| 45        | 798795             | Scheibe  | Washer  |
| 46        | 746879             | Zyl.-Schraube                                  | Cyl. head screw                                     |
| 47        | 79320577           | Platte   | Plate   |
| 48        | 79320538           | Anschlagblock                                  | Stop block  |
| 49        | 7441694            | Zyl.-Schraube                                  | Cyl. head screw                                     |
| 50        | 7461416a           | Anschlagschraube                               | Buffer screw  |
| 51        | 231454             | 6kt.-Mutter                                    | Hexagonal nut                                       |
| 52        | 79320572           | Halter   | Holder  |
| 53        | 798147001          | Gehäuse  | Housing   |
| 54        | 798480826          | Stecker  | Plug-in connector                                   |
| 55        | Z 151241           | Einbaubuchse                                   | Socket  |
| 56        | 219353             | Linsenschraube                                 | Fillister head screw                                |
| 57        | 798424203          | Klemmstück                                     | Clamping piece                                      |
| 58        | 10019162           | Zyl.-Schraube                                  | Cyl. head screw                                     |
| 59        | 93311424           | Schelle  | Clip  |
| 60        | 202704             | 6kt.-Mutter                                    | Hexagonal nut                                       |
| 61        | 5691895            | Scheibe  | Washer  |
| 63        | 798424202          | Induktivgeber                                  | Proximity switch                                    |
| 64        | 74428939           | Stecker  | Plug-in connector                                   |
| 65        | 746822             | Anschlagschraube<br>(Beipackteil)              | Buffer screw<br>(is included in the<br>Accessories) |
| 66        | 79320140           | Achse  | Axle  |
| 67        | 7441155            | Verschlußkappe                                 | Cap   |
|           | <b>7943001</b>     | <b>3. Markierungs-<br/>leuchte (ohne Abb.)</b> | <b>Third Mark. lamp<br/>(not illustr.)</b>          |

| Pos. Det. | Teile Nr. Part No. | Benennung | Denomination |
|-----------|--------------------|-----------|--------------|
|-----------|--------------------|-----------|--------------|

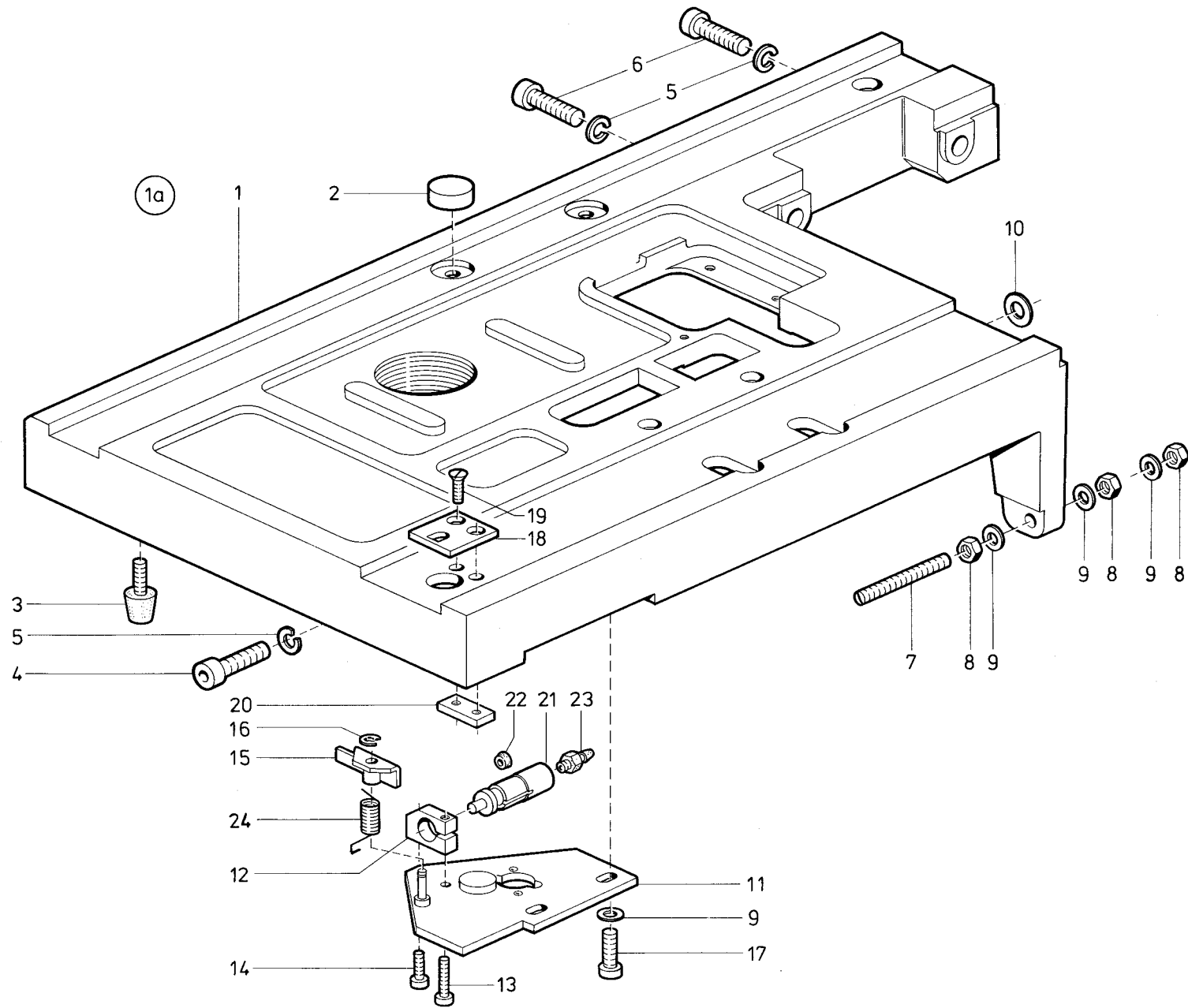




| Pos. Det. | Teile Nr. Part No. | Benennung                              | Denomination                               |
|-----------|--------------------|--|--|
|           |                    | <b>Einlegestation</b>                  | <b>Loading station</b>                     |
| 1         | 79320144           | Schwinge kpl.<br>(mit Pos. 2 und 3)    | Link cpl.<br>(with pos. 2 and 3)           |
| 2         | 746829             | Sinterbuchse                           | Sintered bush                              |
| 3         | 79320147           | Sinterbuchse                           | Sintered bush                              |
| 4         | 212113             | Stellring kpl.<br>(mit Pos. 5)         | Set collar cpl.<br>(with pos. 5)           |
| 5         | 223237             | Gewindestift                           | Threaded stud                              |
| 6         | 79320151           | Leiste                                 | Reglet                                     |
| 7         | 10019130           | Linsenschraube                         | Fillister head screw                       |
| 8         | 79320171           | Führungsstange                         | Guide rod                                  |
| 9         | 79320172           | Führungsstange                         | Guide rod                                  |
| 10        | 21127              | Tellerfeder                            | Cup spring                                 |
| 12        | 79320175           | Klemmstück                             | Clamping piece                             |
| 13        | 74420778           | Zyl.-Schraube                          | Cyl. head screw                            |
| 14        | 79320178           | Druckfeder                             | Pressure spring                            |
| 15        | 7461495            | Scheibe                                | Washer                                     |
| 16        | 79320183           | Leiste                                 | Reglet                                     |
| 17        | 231454             | 6kt.-Mutter                            | Hexagonal nut                              |
| 18        | 79320186           | Aufnahmebolzen                         | Special nut                                |
| 19        | 79320191           | Zylinder                               | Cylinder                                   |
| 20        | 5571842            | 6kt.-Mutter                            | Hexagonal nut                              |
| 21        | 797412             | Drosselventil                          | Throttle valve                             |
| 22        | 2191013            | Buchse                                 | Bush                                       |
| 23        | 2522389            | 6kt.-Mutter                            | Hexagonal nut                              |
| 24        | 557263             | Scheibe                                | Washer                                     |
| 27        | 93311424           | Schelle                                | Clip                                       |
| 28        | 74320506           | Spannring kpl.<br>(mit Pos. 29 und 49) | Tension ring cpl.<br>(with pos. 29 and 49) |
| 29        | 223237             | Gewindestift                           | Threaded stud                              |
| 30        | 74680211           | Drehfeder                              | Torsion spring                             |
| 31        | 79320513           | Hebel                                  | Lever                                      |
| 32        | 558305             | Senkschraube                           | Countersunk screw                          |
| 33        | 74640378           | Kupplungsdose                          | Coupling socket                            |
| 34        | 74242167           | Dichtung                               | Gasket                                     |
| 35        | 7972016            | Schlauchtülle                          | Hose nozzle                                |
| 36        | 79320521           | Platte                                 | Plate                                      |
| 37        | 556362             | Zyl.-Schraube                          | Cyl. head screw                            |
| 38        | 557263             | Scheibe                                | Washer                                     |
| 39        | 79320526           | Bolzen                                 | Bolt                                       |
| 40        | MG 43/409          | 6kt.-Mutter                            | Hexagonal nut                              |
| 41        | 570138             | Sicher.-Scheibe                        | Lock washer                                |
| 42        | 74221996           | Zylinder                               | Cylinder                                   |
| 43        | 74660848           | Kloben                                 | Block                                      |

| Pos. Det. | Teile Nr. Part No. | Benennung                       | Denomination                      |
|-----------|--------------------|---------------------------------|-----------------------------------|
| 44        | MG 8/7d            | 6kt.-Mutter                     | Hexagonal nut                     |
| 45        | 797412             | Drosselventil                   | Throttle valve                    |
| 46        | 79320535           | Buchse                          | Bush                              |
| 47        | 7441658            | 6kt.-Schraube                   | Hexagonal screw                   |
| 48        | 556263             | Scheibe                         | Washer                            |
| 49        | 79320509           | Hülse                           | Sleeve                            |
| 50        | 024275             | Scheibe                         | Washer                            |
| 51        | 79320141           | Achse                           | Axle                              |
| 52        | 748294             | Stellring kpl.<br>(mit Pos. 53) | Set collar cpl.<br>(with pos. 53) |
| 53        | 147203             | Gewindestift                    | Threaded stud                     |

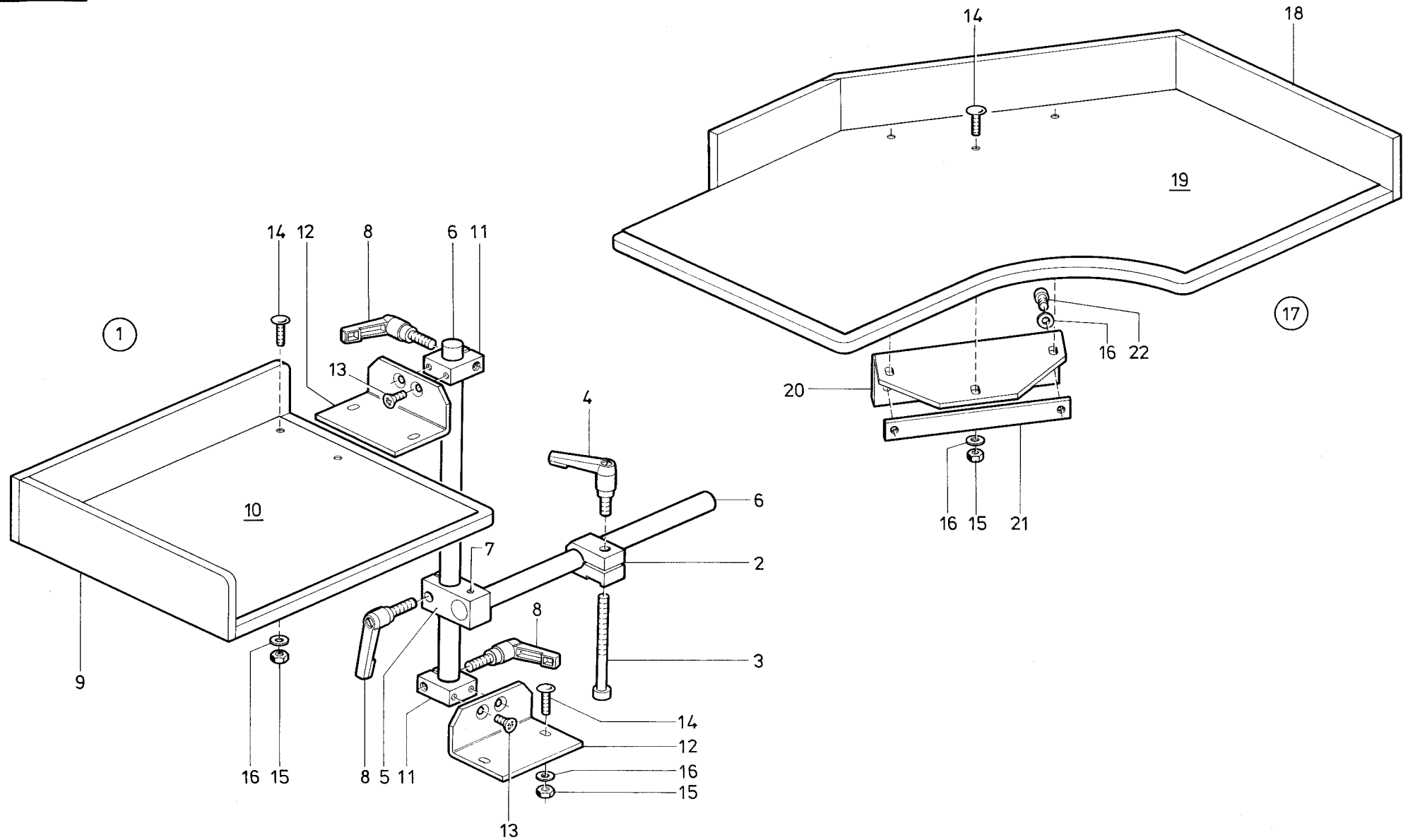
| Pos. Det. | Teile Nr. Part No. | Benennung | Denomination |
|-----------|--------------------|-----------|--------------|
|-----------|--------------------|-----------|--------------|



| Pos.<br>Det. | Teile Nr.<br>Part No. | Benennung   | Denomination   |
|--------------|-----------------------|---|--|
|              |                       | <b>Einlegestation</b>                                   | <b>Loading station</b>                                     |
| 1 a          | 79320005              | Tisch kpl.<br>(best. aus Pos. 1, 2, 3,<br>9, 11 bis 24) | Support cpl.<br>(cons. of pos. 1, 2, 3,<br>9, 11 up to 24) |
| 1            | 79320006              | Tisch   | Support  |
| 2            | 7441304               | Magnet  | Magnet   |
| 3            | 7441339               | Gummipuffer   | Rubber buffer  |
| 4            | 74421026              | Zyl.-Schraube   | Cyl. head screw  |
| 5            | 725520b               | Federring   | Spring ring  |
| 6            | 74420766              | Zyl.-Schraube   | Cyl. head screw  |
| 7            | 74242889              | Gewindestift  | Threaded stud  |
| 8            | 216660                | 6kt.-Mutter   | Hexagonal nut  |
| 9            | 557263                | Scheibe   | Washer   |
| 10           | 420362                | Federscheibe  | Spring washer  |
| 11           | 79320022              | Platte  | Plate  |
| 12           | 79320029              | Klemmstück  | Clamping piece   |
| 13           | 7461212               | Zyl.-Schraube   | Cyl. head screw  |
| 14           | 7441968               | Zyl.-Schraube   | Cyl. head screw  |
| 15           | 79320033              | Hebel   | Lever  |
| 16           | 255129                | Sicher.-Scheibe   | Lock washer  |
| 17           | 7425374               | Zyl.-Schraube   | Cyl. head screw  |
| 18           | 79320055              | Platte  | Plate  |
| 19           | 90297                 | Senkschraube  | Countersunk screw  |
| 20           | 5701228               | Gewindelasche   | Threaded shackle   |
| 21           | 246968                | Zylinder kpl.<br>(mit Pos. 22)                          | Cylinder cpl.<br>(with pos. 22)                            |
| 22           | 55614030              | Lippenring  | Lip seal   |
| 23           | 7972016               | Schlauchtülle   | Hose nozzle  |
| 24           | 79320036              | Drehfeder   | Torsion spring   |

| Pos.<br>Det. | Teile Nr.<br>Part No. | Benennung | Denomination |
|--------------|-----------------------|-----------|--------------|
|--------------|-----------------------|-----------|--------------|

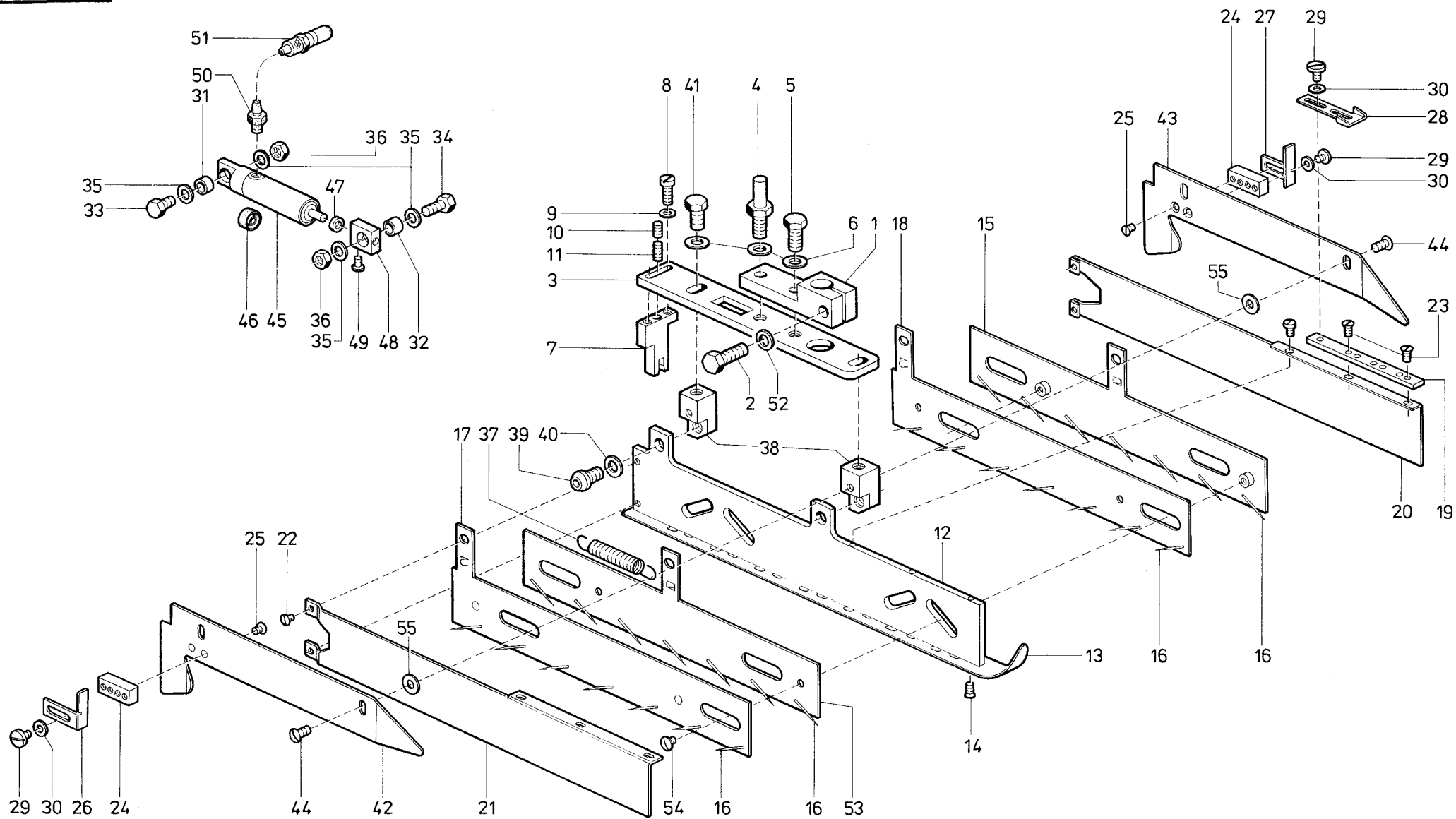
| Pos.<br>Det. | Teile Nr.<br>Part No. | Benennung | Denomination |
|--------------|-----------------------|-----------|--------------|
|--------------|-----------------------|-----------|--------------|



| Pos. Det. | Teile Nr. Part No. | Benennung  | Denomination   |
|-----------|--------------------|--|--|
|           |                    | <b>Einlegestation</b>  | <b>Loading station</b>   |
| 1         | 79320601           | Ablagekasten, links<br>kpl. (best. aus Pos. 2<br>bis 16)               | Deposit box, left hand<br>cpl. (cons. of pos. 2<br>up to 16)               |
| 2         | 79320603           | Klemmstück   | Clamping piece   |
| 3         | 722735             | Zyl.-Schraube  | Cyl. head screw  |
| 4         | 23817325           | Klemmhebel   | Clamping lever   |
| 5         | 79320607           | Klemmstück kpl.<br>(mit Pos. 6 und 7)                                  | Clamping piece cpl.<br>(with pos. 6 and 7)                                 |
| 6         | 79320610           | Stange   | Rod  |
| 7         | 558786             | Spannhülse   | Clamping sleeve  |
| 8         | NB 79/8042         | Klemmhebel   | Clamping lever   |
| 9         | 79320612           | Ablagekasten kpl.<br>(mit Pos. 10)                                     | Deposit box cpl.<br>(with pos. 10)   |
| 10        | 79320614           | Auflage  | Rubber flooring  |
| 11        | 79320616           | Klemmstück   | Clamping piece   |
| 12        | 79320618           | Winkel   | Angle  |
| 13        | 798122268          | Senkschraube   | Countersunk screw  |
| 14        | 70016              | Schraube kpl.<br>(mit Pos. 15)   | Screw cpl.<br>(with pos. 15)   |
| 15        | 74450244           | 6kt.-Mutter  | Hexagonal nut  |
| 16        | 739595             | Scheibe  | Washer   |
| 17        | 79320641           | Ablagekasten, rechts<br>kpl. (best. aus Pos. 14,<br>15, 16, 18 bis 22) | Deposit box, right hand<br>cpl. (cons. of pos. 14,<br>15, 16, 18 up to 22) |
| 18        | 79320642           | Ablagekasten kpl.<br>(mit Pos. 19)                                     | Deposit box cpl.<br>(with pos. 19)   |
| 19        | 79320644           | Auflage  | Rubber flooring  |
| 20        | 79320648           | Winkel   | Angle  |
| 21        | 79320649           | Lasche   | Shackle  |
| 22        | 7441509            | Zyl.-Schraube  | Cyl. head screw  |

| Pos. Det. | Teile Nr. Part No. | Benennung | Denomination |
|-----------|--------------------|-----------|--------------|
|-----------|--------------------|-----------|--------------|

| Pos. Det. | Teile Nr. Part No. | Benennung | Denomination |
|-----------|--------------------|-----------|--------------|
|-----------|--------------------|-----------|--------------|

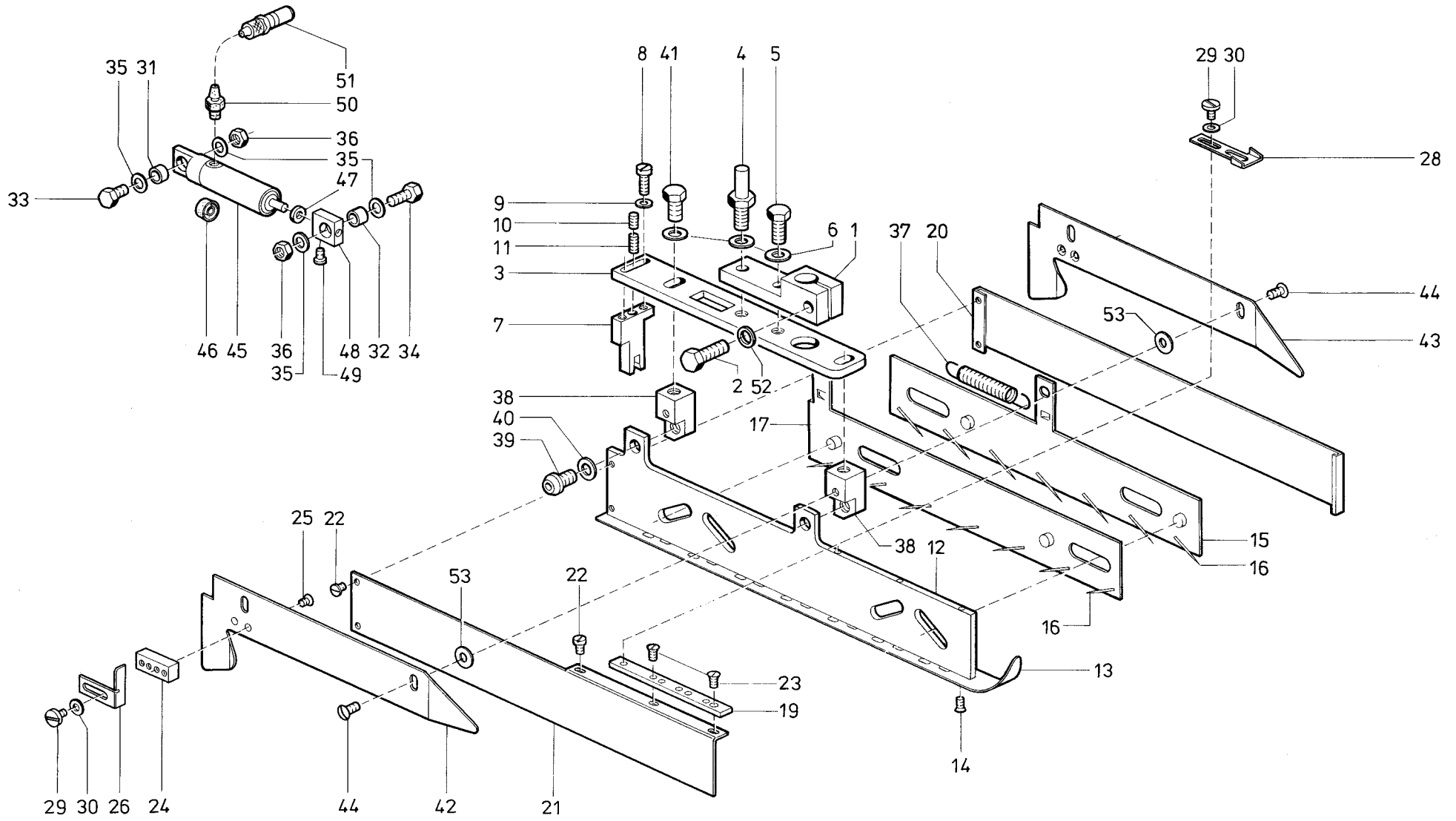


| Pos. Det. | Teile Nr. Part No. | Benennung                                | Denomination                            |
|-----------|--------------------|--|---|
|           |                    | <b>Greiffaltstempel kpl.</b>             | <b>Catch-folder cpl.</b>                |
|           | 79325453           | für Stempelinrichtung<br><b>S26, S27</b> | for folder equipment<br><b>S26, S27</b> |
|           | 79325413           | für Stempelinrichtung<br><b>S24</b>      | for folder equipment<br><b>S24</b>      |
|           | 79325493           | für Stempelinrichtung<br><b>S30, S31</b> | for folder equipment<br><b>S30, S31</b> |
|           | 79325543           | für Stempelinrichtung<br><b>S35</b>      | for folder equipment<br><b>S35</b>      |
|           | 79325293           | für Stempelinrichtung<br><b>S13</b>      | for folder equipment<br><b>S13</b>      |
|           | 79325303           | für Stempelinrichtung<br><b>S16, S17</b> | for folder equipment<br><b>S16, S17</b> |
|           | 79325363           | für Stempelinrichtung<br><b>S20, S21</b> | for folder equipment<br><b>S20, S21</b> |
|           | 79325433           | für Stempelinrichtung<br><b>S25</b>      | for folder equipment<br><b>S25</b>      |
| 1         | 79325004           | Halter                                   | Holder                                  |
| 2         | 719127             | 6kt.-Schraube                            | Hexagonal screw                         |
| 3         | 79325007           | Platte                                   | Plate                                   |
| 4         | 79325008           | Bolzen                                   | Bolt                                    |
| 5         | P 121110           | 6kt.-Schraube                            | Hexagonal screw                         |
| 6         | 557263             | Scheibe                                  | Washer                                  |
| 7         | 74690308           | Anschlag                                 | Stop                                    |
| 8         | 216120             | Zyl.-Schraube                            | Cyl. head screw                         |
| 9         | 5691895            | Scheibe                                  | Washer                                  |
| 10        | 216589             | Gewindestift                             | Threaded stud                           |
| 11        | 74690312           | Gewindestift                             | Threaded stud                           |
| 12        | 79325018           | Faltleiste                               | Folder reglet                           |
| 13        | 79325455           | Sohle, für <b>S26, S27</b>               | Plain base, for <b>S26, S27</b>         |
|           | 79325495           | Sohle, für <b>S30, S31</b>               | Plain base, for <b>S30, S31</b>         |
|           | 79325545           | Sohle, für <b>S35</b>                    | Plain base, for <b>S35</b>              |
|           | 79325435           | Sohle, für <b>S25</b>                    | Plain base, for <b>S25</b>              |
|           | 79325295           | Sohle, für <b>S13</b>                    | Plain base, for <b>S13</b>              |
|           | 79325305           | Sohle, für <b>S16, S17</b>               | Plain base, for <b>S16, S17</b>         |
|           | 79325365           | Sohle, für <b>S20, S21</b>               | Plain base, for <b>S20, S21</b>         |
|           | 79325415           | Sohle, für <b>S24</b>                    | Plain base, for <b>S24</b>              |
| 14        | 9335735            | Senkschraube                             | Countersunk screw                       |
| 15        | 79325028           | Nadelleiste<br>(außen rechts)            | Needle reglet<br>(outside right)        |
| 16        | 74650517           | Nadel                                    | Needle                                  |
| 17        | 79325030           | Nadelleiste<br>(außen links)             | Needle reglet<br>(outside left)         |

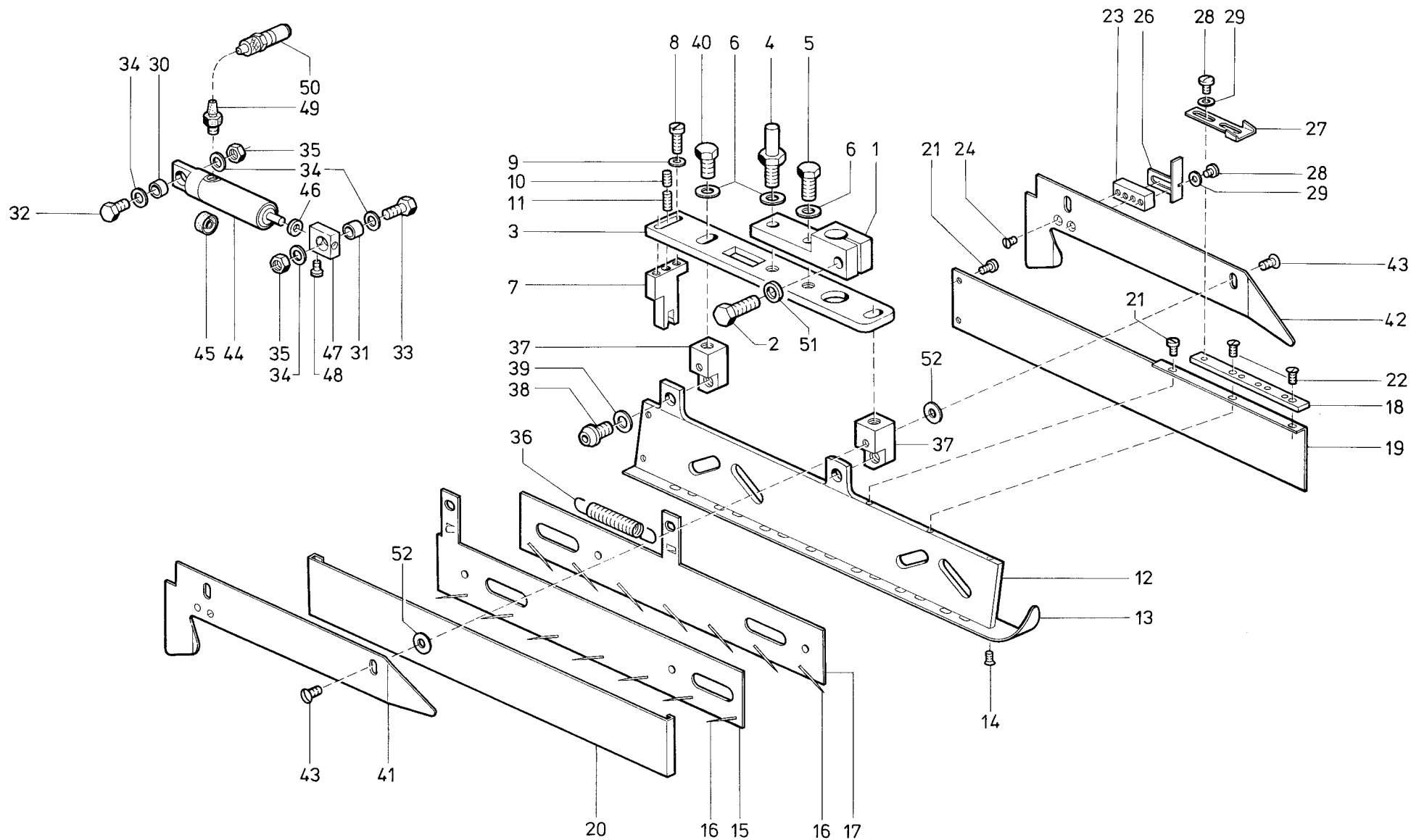
| Pos. Det. | Teile Nr. Part No. | Benennung                             | Denomination                            |
|-----------|--------------------|---------------------------------------|---|
| 18        | 79325026           | Nadelleiste<br>(innen rechts)         | Needle reglet<br>(inside right)         |
| 19        | 79325036           | Leiste                                | Reglet                                  |
| 20        | 79325037a          | Schutzblech, rechts                   | Guard plate, right hand                 |
| 21        | 79325038a          | Schutzblech, links                    | Guard plate, left hand                  |
| 22        | 9024102            | Zyl.-Schraube                         | Cyl. head screw                         |
| 23        | 211268             | Senkschraube                          | Countersunk screw                       |
| 24        | 79325041           | Gewindeplatte                         | Threaded plate                          |
| 25        | 902707             | Senkschraube                          | Countersunk screw                       |
| 26        | 79325044           | Anschlag                              | Stop                                    |
| 27        | 79325045           | Anschlag                              | Stop                                    |
| 28        | 79325046           | Anschlag                              | Stop                                    |
| 29        | 216508             | Zyl.-Schraube                         | Cyl. head screw                         |
| 30        | 570975             | Scheibe                               | Washer                                  |
| 31        | 74650562           | Buchse                                | Bushing                                 |
| 32        | 74650563           | Buchse                                | Bushing                                 |
| 33        | 55881              | 6kt.-Schraube                         | Hexagonal screw                         |
| 34        | 74650985           | 6kt.-Schraube                         | Hexagonal screw                         |
| 35        | 902514             | Scheibe                               | Washer                                  |
| 36        | 237202             | 6kt.-Mutter                           | Hexagonal nut                           |
| 37        | 74650989           | Zugfeder                              | Draw spring                             |
| 38        | 74690365           | Kloben                                | Block                                   |
| 39        | 74690366           | Zyl.-Schraube                         | Cyl. head screw                         |
| 40        | 5511246            | Scheibe                               | Washer                                  |
| 41        | 9424586            | 6kt.-Schraube                         | Hexagonal screw                         |
| 42        | 79325068           | Leitblech                             | Guide plate                             |
| 43        | 79325069           | Leitblech                             | Guide plate                             |
| 44        | 219353             | Linsenschraube                        | Fillister head screw                    |
| 45        | 79325071           | Zylinder kpl.<br>(mit Pos. 46 und 47) | Cylinder cpl.<br>(with pos. 46 and 47)  |
| 46        | 246348             | Lippenring                            | Lip seal                                |
| 47        | 380289             | Scheibe                               | Washer                                  |
| 48        | 74650555           | Anschlußstück kpl.<br>(mit Pos. 49)   | Joining piece cpl.<br>(with pos. 49)    |
| 49        | 420324             | Zyl.-Schraube                         | Cyl. head screw                         |
| 50        | 7972016            | Schlauchtülle                         | Hose nozzle                             |
| 51        | 74640379           | Kupplungsstecker                      | Coupler plug                            |
| 52        | 79325006           | Scheibe                               | Washer                                  |
| 53        | 79325029           | Nadelleiste<br>(innen links)          | Needle reglet<br>(inside left)          |
| 54        | 93363984           | Linsenschraube                        | Fillister head screw                    |
| 55        | 55890              | Scheibe<br>(Nur bei Bedarf)           | Washer<br>(In case of requirement only) |

| Pos. Det. | Teile Nr. Part No. | Benennung | Denomination |
|-----------|--------------------|-----------|--------------|
|-----------|--------------------|-----------|--------------|





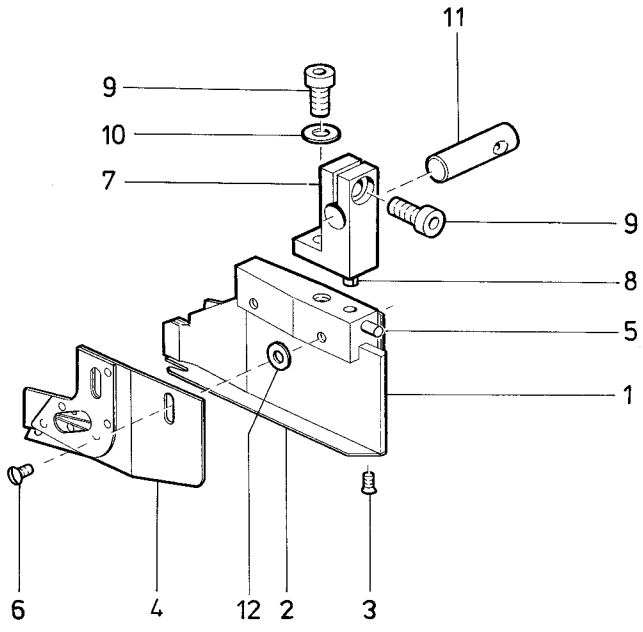




| Pos. Det. | Teile Nr. Part No. | Benennung                            | Denomination                       |
|-----------|--------------------|--------------------------------------|------------------------------------|
|           |                    | <b>Greiffaltstempel kpl.</b>         | <b>Catch folder cpl.</b>           |
|           | 79325193           | für Stempeleinrichtung<br><b>S29</b> | for Folder equipment<br><b>S29</b> |
|           | 79325273           | für Stempeleinrichtung<br><b>S33</b> | for Folder equipment<br><b>S33</b> |
|           | 79325343           | für Stempeleinrichtung<br><b>S19</b> | for Folder equipment<br><b>S19</b> |
|           | 79325403           | für Stempeleinrichtung<br><b>S23</b> | for Folder equipment<br><b>S23</b> |
|           | 79325553           | für Stempeleinrichtung<br><b>S36</b> | for Folder equipment<br><b>S36</b> |
|           | 79325573           | für Stempeleinrichtung<br><b>S38</b> | for Folder equipment<br><b>S38</b> |
|           | 79325833           | für Stempeleinrichtung<br><b>S60</b> | for Folder equipment<br><b>S60</b> |
| 1         | 79325004           | Halter                               | Holder                             |
| 2         | 719127             | 6kt.-Schraube                        | Hexagonal screw                    |
| 3         | 79325007           | Platte                               | Plate                              |
| 4         | 79325008           | Bolzen                               | Bolt                               |
| 5         | P 121110           | 6kt.-Schraube                        | Hexagonal screw                    |
| 6         | 557263             | Scheibe                              | Washer                             |
| 7         | 74690308           | Anschlag                             | Stop                               |
| 8         | 216120             | Zyl.-Schraube                        | Cyl. head screw                    |
| 9         | 5691895            | Scheibe                              | Washer                             |
| 10        | 216589             | Gewindestift                         | Threaded stud                      |
| 11        | 74690312           | Gewindestift                         | Threaded stud                      |
| 12        | 79325195           | Faltleiste                           | Folder reglet                      |
| 13        | 79325196           | Sohle, für <b>S6</b>                 | Plain base, for <b>S6</b>          |
|           | 79325275           | Sohle, für <b>S10</b>                | Plain base, for <b>S10</b>         |
|           | 79325225           | Sohle, für <b>S19</b>                | Plain base, for <b>S19</b>         |
|           | 79325405           | Sohle, für <b>S23</b>                | Plain base, for <b>S23</b>         |
|           | 79325555           | Sohle, für <b>S36</b>                | Plain base, for <b>S36</b>         |
|           | 79325575           | Sohle, für <b>S38</b>                | Plain base, for <b>S38</b>         |
|           | 79325835           | Sohle, für <b>S60</b>                | Plain base, for <b>S60</b>         |
| 14        | 9335735            | Senkschraube                         | Countersunk screw                  |
| 15        | 79325198           | Nadelleiste<br>(außen, links)        | Needle reglet<br>(outside left)    |
| 16        | 74650517           | Nadel                                | Needle                             |
| 17        | 79325199           | Nadelleiste<br>(innen, links)        | Needle reglet<br>(inside left)     |
| 18        | 79325036           | Leiste                               | Reglet                             |
| 19        | 79325200           | Schutzblech                          | Guard plate                        |
| 20        | 79325160           | Schutzblech                          | Guard plate                        |
| 21        | 221583             | Zyl.-Schraube                        | Cyl. head screw                    |

| Pos. Det. | Teile Nr. Part No. | Benennung                             | Denomination                            |
|-----------|--------------------|---------------------------------------|---|
| 22        | 211268             | Senkschraube                          | Countersunk screw                       |
| 23        | 79325041           | Gewindeplatte                         | Threaded plate                          |
| 24        | 902707             | Senkschraube                          | Countersunk screw                       |
| 26        | 79325045           | Anschlag                              | Stop                                    |
| 27        | 79325046           | Anschlag                              | Stop                                    |
| 28        | 216508             | Zyl.-Schraube                         | Cyl. head screw                         |
| 29        | 570975             | Scheibe                               | Washer                                  |
| 30        | 74650562           | Buchse                                | Bush                                    |
| 31        | 74650563           | Buchse                                | Bush                                    |
| 32        | 55881              | 6kt.-Schraube                         | Hexagonal screw                         |
| 33        | 74650985           | 6kt.-Schraube                         | Hexagonal screw                         |
| 34        | 902514             | Scheibe                               | Washer                                  |
| 35        | 237202             | 6kt.-Mutter                           | Hexagonal nut                           |
| 36        | 74650989           | Zugfeder                              | Draw spring                             |
| 37        | 74690365           | Kloben                                | Block                                   |
| 38        | 74690366           | Zyl.-Schraube                         | Cyl. head screw                         |
| 39        | 5511246            | Scheibe                               | Washer                                  |
| 40        | 9424586            | 6kt.-Schraube                         | Hexagonal screw                         |
| 41        | 79325068           | Leitblech                             | Guide plate                             |
| 42        | 79325069           | Leitblech                             | Guide plate                             |
| 43        | 219353             | Linsenschraube                        | Fillister head screw                    |
| 44        | 79325071           | Zylinder kpl.<br>(mit Pos. 45 und 46) | Cylinder cpl.<br>(with pos. 45 and 46)  |
| 45        | 246348             | Lippenring                            | Lip seal                                |
| 46        | 380289             | Scheibe                               | Washer                                  |
| 47        | 74650555           | Anschlußstück kpl.<br>(mit Pos. 48)   | Joining piece cpl.<br>(with pos. 48)    |
| 48        | 420324             | Zyl.-Schraube                         | Cyl. head screw                         |
| 49        | 7972016            | Schlauchtülle                         | Hose nozzle                             |
| 50        | 74640379           | Kupplungsstecker                      | Coupler plug                            |
| 51        | 79325006           | Scheibe                               | Washer                                  |
| 52        | 55890              | Scheibe<br>(Nur bei Bedarf)           | Washer<br>(In case of requirement only) |

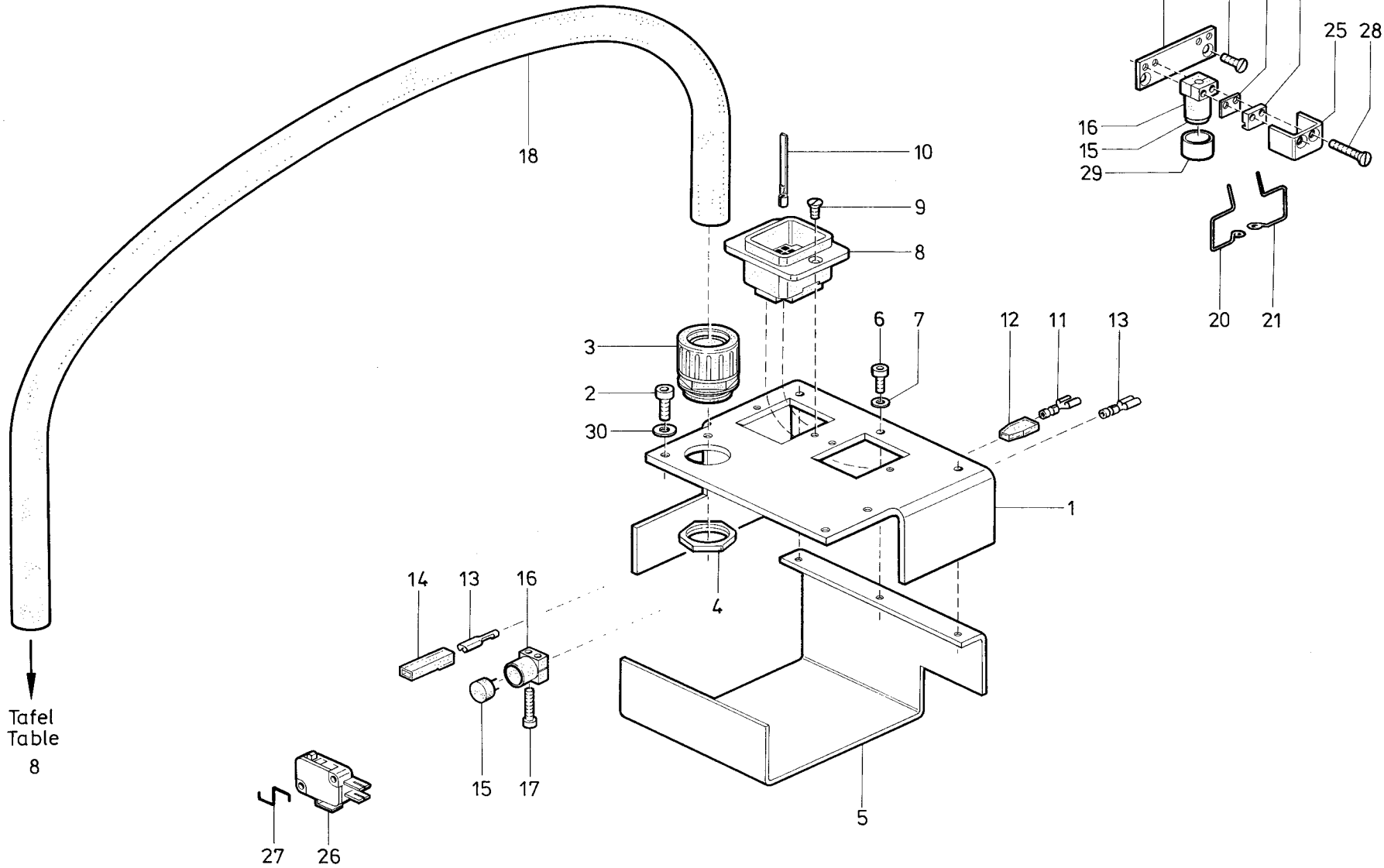
| Pos. Det. | Teile Nr. Part No. | Benennung | Denomination |
|-----------|--------------------|-----------|--------------|
|-----------|--------------------|-----------|--------------|



| Pos. Det. | Teile Nr. Part No. | Benennung                        | Denomination                    |
|-----------|--------------------|----------------------------------|---------------------------------|
|           |                    | <b>Faltstempel komplett</b>      | <b>Folder complet</b>           |
| 79325457  |                    | für Stempelinrichtung <b>S26</b> | for Folder equipment <b>S26</b> |
| 79325467  |                    | für Stempelinrichtung <b>S27</b> | for Folder equipment <b>S27</b> |
| 79325477  |                    | für Stempelinrichtung <b>S28</b> | for Folder equipment <b>S28</b> |
| 79325487  |                    | für Stempelinrichtung <b>S29</b> | for Folder equipment <b>S29</b> |
| 79325497  |                    | für Stempelinrichtung <b>S30</b> | for Folder equipment <b>S30</b> |
| 79325507  |                    | für Stempelinrichtung <b>S31</b> | for Folder equipment <b>S31</b> |
| 79325517  |                    | für Stempelinrichtung <b>S32</b> | for Folder equipment <b>S32</b> |
| 79325527  |                    | für Stempelinrichtung <b>S33</b> | for Folder equipment <b>S33</b> |
| 79324531  |                    | für Stempelinrichtung <b>S19</b> | for Folder equipment <b>S19</b> |
| 79325297  |                    | für Stempelinrichtung <b>S13</b> | for Folder equipment <b>S13</b> |
| 79325307  |                    | für Stempelinrichtung <b>S16</b> | for Folder equipment <b>S16</b> |
| 79325367  |                    | für Stempelinrichtung <b>S20</b> | for Folder equipment <b>S20</b> |
| 79325317  |                    | für Stempelinrichtung <b>S17</b> | for Folder equipment <b>S17</b> |
| 79325337  |                    | für Stempelinrichtung <b>S18</b> | for Folder equipment <b>S18</b> |
| 79325377  |                    | für Stempelinrichtung <b>S21</b> | for Folder equipment <b>S21</b> |
| 79325397  |                    | für Stempelinrichtung <b>S22</b> | for Folder equipment <b>S22</b> |
| 79325407  |                    | für Stempelinrichtung <b>S23</b> | for Folder equipment <b>S23</b> |
| 79325417  |                    | für Stempelinrichtung <b>S24</b> | for Folder equipment <b>S24</b> |
| 79325532  |                    | für Stempelinrichtung <b>S34</b> | for Folder equipment <b>S34</b> |
| 79325547  |                    | für Stempelinrichtung <b>S35</b> | for Folder equipment <b>S35</b> |
| 79325557  |                    | für Stempelinrichtung <b>S36</b> | for Folder equipment <b>S36</b> |

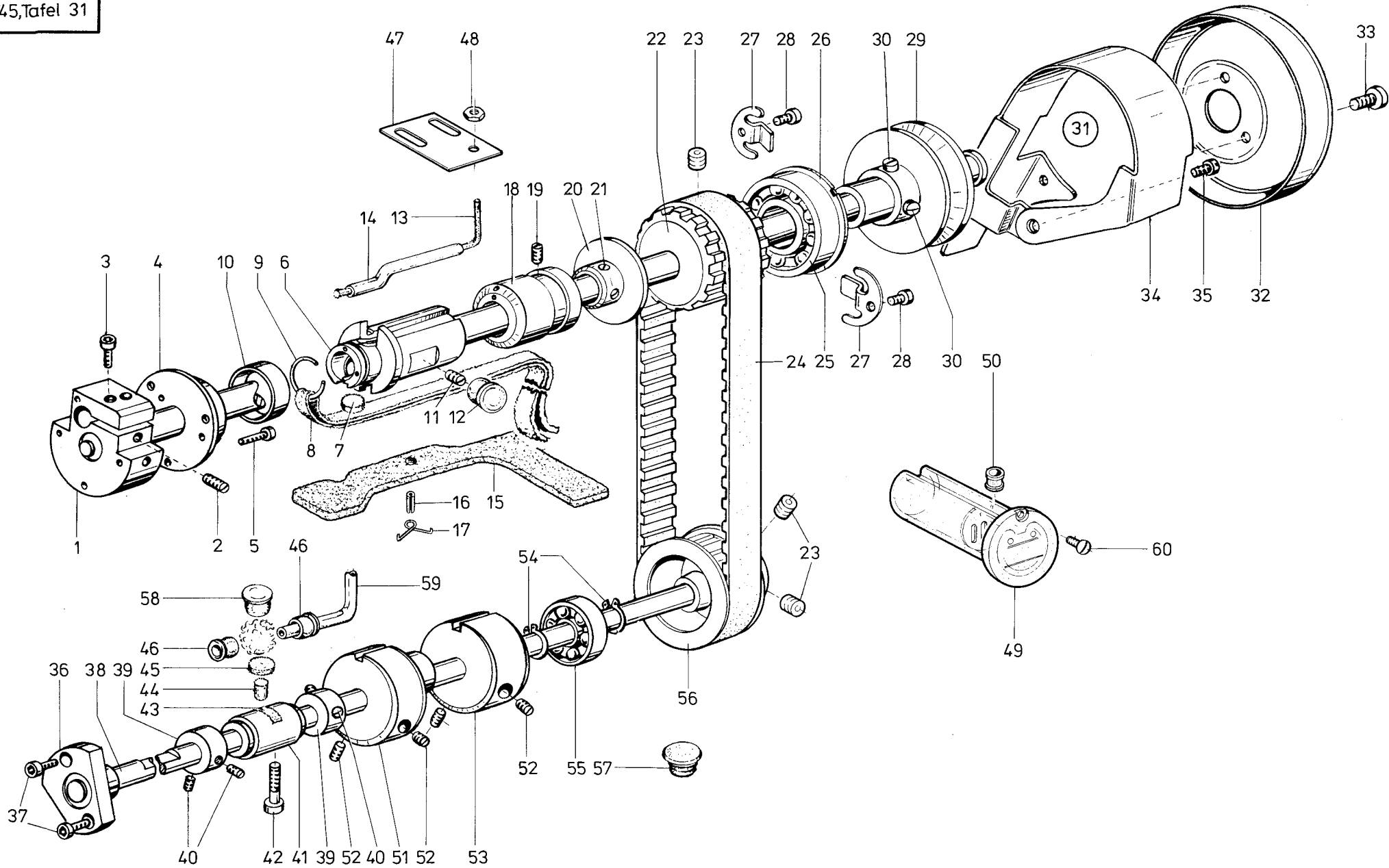
| Pos. Det. | Teile Nr. Part No. | Benennung  | Denomination  |
|-----------|--------------------|--|---|
|           | 79325567           | für Stempelinrichtung <b>S37</b>                               | for Folder equipment <b>S37</b>                               |
|           | 79325577           | für Stempelinrichtung <b>S38</b>                               | for Folder equipment <b>S38</b>                               |
|           | 79325587           | für Stempelinrichtung <b>S39</b>                               | for Folder equipment <b>S39</b>                               |
|           | 79325837           | für Stempelinrichtung <b>S60</b>                               | for Folder equipment <b>S60</b>                               |
|           | 79325557           | für Stempelinrichtung <b>S61</b>                               | for Folder equipment <b>S61</b>                               |
| 1         | 74690393a          | Kloben, für <b>S26, S28, S30, S32, S34, S16, S18, S20, S22</b> | Block, for <b>S26, S28, S30, S32, S34, S16, S18, S20, S22</b> |
|           | 79325419           | Kloben, für <b>S13, S24, S35, S36, S37, S38, S39</b>           | Block, for <b>S13, S24, S35, S36, S37, S38, S39</b>           |
|           | 74690455           | Kloben, für <b>S17, S19, S21, S23, S27, S29, S31, S33</b>      | Block, for <b>S17, S19, S21, S23, S27, S29, S31, S33</b>      |
| 2         | 79325459           | Sohle, für <b>S26</b>  | Plain base, for <b>S26</b>                                    |
|           | 79325469           | Sohle, für <b>S27</b>  | Plain base, for <b>S27</b>                                    |
|           | 79325479           | Sohle, für <b>S28</b>  | Plain base, for <b>S28</b>                                    |
|           | 79325489           | Sohle, für <b>S29</b>  | Plain base, for <b>S29</b>                                    |
|           | 79325499           | Sohle, für <b>S30</b>  | Plain base, for <b>S30</b>                                    |
|           | 79325509           | Sohle, für <b>S31</b>  | Plain base, for <b>S31</b>                                    |
|           | 79325519           | Sohle, für <b>S32</b>  | Plain base, for <b>S32</b>                                    |
|           | 79324533           | Sohle, für <b>S19</b>  | Plain base, for <b>S19</b>                                    |
|           | 79325519           | Sohle, für <b>S33</b>  | Plain base, for <b>S33</b>                                    |
|           | 79325299           | Sohle, für <b>S13</b>  | Plain base, for <b>S13</b>                                    |
|           | 79325309           | Sohle, für <b>S16</b>  | Plain base, for <b>S16</b>                                    |
|           | 79325369           | Sohle, für <b>S20</b>  | Plain base, for <b>S20</b>                                    |
|           | 79325319           | Sohle, für <b>S17</b>  | Plain base, for <b>S17</b>                                    |
|           | 79325339           | Sohle, für <b>S18</b>  | Plain base, for <b>S18</b>                                    |
|           | 79325379           | Sohle, für <b>S21</b>  | Plain base, for <b>S21</b>                                    |
|           | 79325399           | Sohle, für <b>S22</b>  | Plain base, for <b>S22</b>                                    |
|           | 79325409           | Sohle, für <b>S23</b>  | Plain base, for <b>S23</b>                                    |
|           | 79325424           | Sohle, für <b>S24</b>  | Plain base, for <b>S24</b>                                    |
|           | 79325534           | Sohle, für <b>S34</b>  | Plain base, for <b>S34</b>                                    |
|           | 79325549           | Sohle, für <b>S35</b>  | Plain base, for <b>S35</b>                                    |
|           | 79325559           | Sohle, für <b>S36</b>  | Plain base, for <b>S36</b>                                    |
|           | 79325569           | Sohle, für <b>S37</b>  | Plain base, for <b>S37</b>                                    |
|           | 79325579           | Sohle, für <b>S38</b>  | Plain base, for <b>S38</b>                                    |
|           | 79325589           | Sohle, für <b>S39</b>  | Plain base, for <b>S39</b>                                    |
|           | 79325839           | Sohle, für <b>S60</b>  | Plain base, for <b>S60</b>                                    |
|           | 79325849           | Sohle, für <b>S61</b>  | Plain base, for <b>S61</b>                                    |

| Pos. Det. | Teile Nr. Part No. | Benennung  | Denomination   |
|-----------|--------------------|--|--|
| 3         | 9335735            | Senkschraube                                       | Countersunk screw                                      |
| 4         | 74690401           | Leitblech, links                                   | Guide plate, left hand                                 |
| 5         | 74690406           | Leitblech, rechts                                  | Guide plate, right hand                                |
| 6         | 10019130           | Linsenschraube                                     | Fillister head screw                                   |
|           | 219353             | Linsenschraube<br>(Nur bei Verwendung von Pos. 12) | Fillister head screw<br>(Only with the use of pos. 12) |
| 7         | 74690421           | Klemmstück kpl.<br>(mit Pos. 8)                    | Clamping piece cpl.<br>(with pos. 8)                   |
| 8         | 7391171a           | Spannhülse   | Clamping sleeve  |
| 9         | 2124909            | Zyl.-Schraube                                      | Cyl. head screw  |
| 10        | 557263             | Scheibe  | Washer   |
| 11        | 74650636           | Bolzen   | Bolt   |
| 12        | 55890              | Scheibe<br>(Nur bei Bedarf)                        | Washer<br>(In case of requirement only)                |





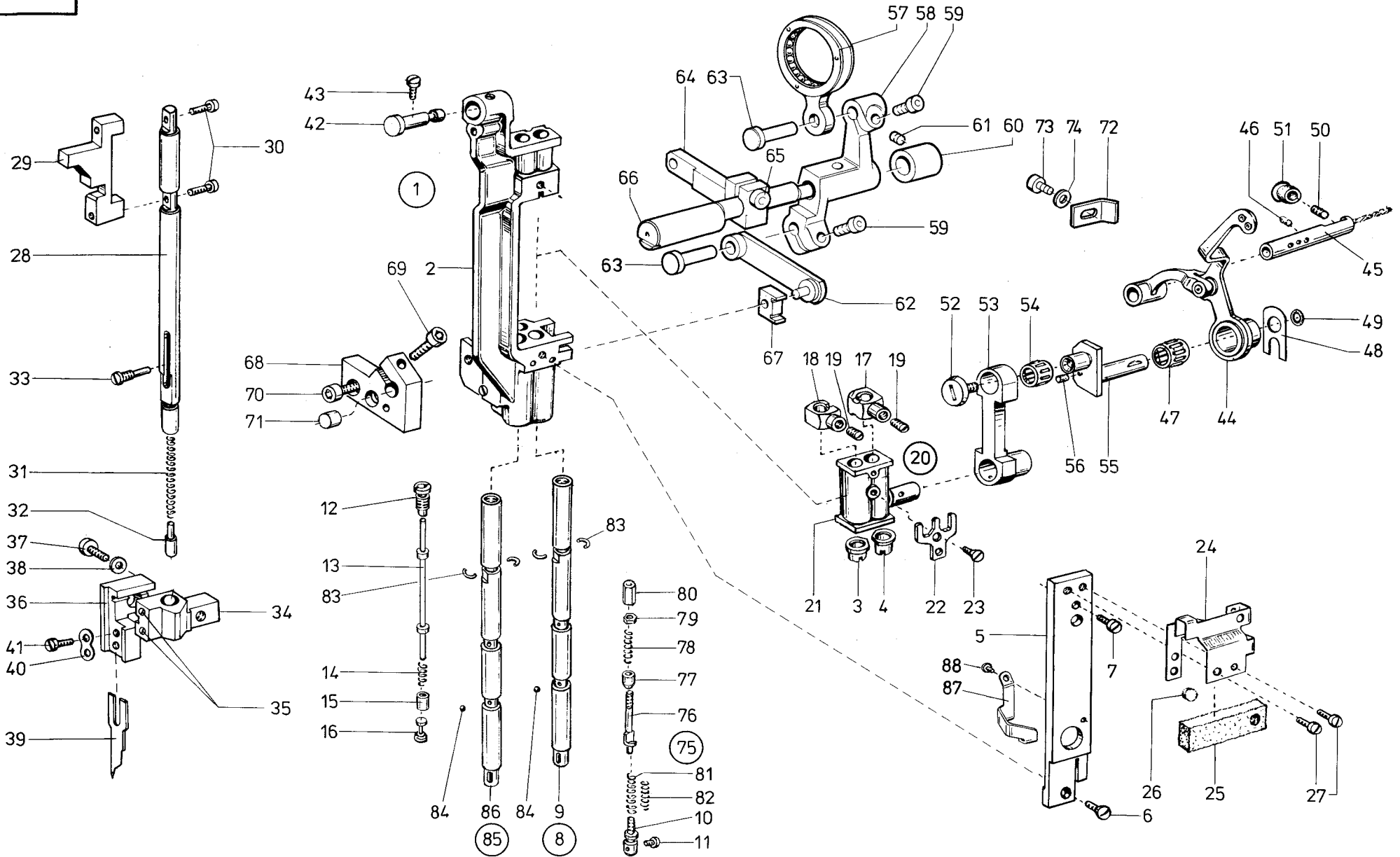




| Pos. Det. | Teile Nr. Part No. | Benennung  | Denomination   |
|-----------|--------------------|--|--|
|           |                    | <b>Teile der Klasse</b>                                    | <b>Parts of Class</b>  |
|           |                    | <b>935-246-41</b>  | <b>935-246-41</b>  |
| 1         | 2462502            | Armwelle kpl.<br>(mit Pos. 2 und 3)                        | Arm shaft cpl.<br>(with pos. 2 and 3)                        |
| 2         | 902140             | Gewindestift   | Threaded stud  |
| 3         | 7441968            | Zyl.-Schraube  | Cyl. head screw  |
| 4         | 2463964            | Exzenter   | Eccentric  |
| 5         | 74420778           | Zyl.-Schraube  | Cyl. head screw  |
| 6         | 24617              | Armlager kpl.<br>(mit Pos. 7, 8, 9, 10, 14)                | Arm bearing cpl.<br>(with pos. 7, 8, 9, 10, 14)              |
| 7         | 211305a            | Filzteil   | Felt   |
| 8         | 211305b            | Öldocht  | Oil wick   |
| 9         | 211306b            | Federring  | Spring ring  |
| 10        | 211306a            | Ring   | Ring   |
| 11        | 21642              | Gewindestift   | Threaded stud  |
| 12        | 10011162           | Verschlußkappe   | Cap  |
| 13        | 211309             | Docht  | Wick   |
| 14        | 211308k            | Schlauch kpl.<br>(mit Pos. 13)                             | Hose cpl.<br>(with pos. 13)                                  |
| 15        | 2124744            | Filzteil   | Felt   |
| 16        | 2124743            | Spannhülse   | Clamping sleeve  |
| 17        | 2124745            | Klemmfeder   | Clamp spring   |
| 18        | 211316             | Armlager   | Arm bearing  |
| 19        | 223448             | Gewindestift   | Threaded stud  |
| 20        | 24668              | Scheibe kpl.<br>(mit Pos. 21)                              | Washer cpl.<br>(with pos. 21)                                |
| 21        | 57055              | Gewindestift   | Threaded stud  |
| 22        | 211351b            | Gurtrad kpl.<br>(mit Pos. 23)                              | Belt wheel cpl.<br>(with pos. 23)                            |
| 23        | 211354             | Gewindestift   | Threaded stud  |
| 24        | 211355             | Zahnriemen   | Toothed belt   |
| 25        | 211361             | Rillenkugellager   | Grooved ball bearing   |
| 26        | 211362             | Sicher.-Ring   | Lock ring  |
| 27        | 93375              | Haltefeder   | Retaining spring   |
| 28        | 223700             | Zyl.-Schraube  | Cyl. head screw  |
| 29        | 211365             | Flansch kpl.<br>(mit Pos. 30)                              | Flange cpl.<br>(with pos. 30)                                |
| 30        | 21668a             | Zyl.-Schraube  | Cyl. head screw  |
| 31        | 935100071          | Handrad kpl.<br>(best. aus Pos. 25, 26,<br>29, 30, 32, 33) | Hand wheel cpl.<br>(cons. of pos. 25, 26,<br>29, 30, 32, 33) |
| 32        | 29147              | Handrad  | Hand wheel   |
| 33        | 216229             | Zyl.-Schraube  | Cyl. head screw  |
| 34        | 211499             | Schutzkappe  | Protective cap   |

| Pos. Det. | Teile Nr. Part No. | Benennung                        | Denomination                          |
|-----------|--------------------|----------------------------------|---------------------------------------|
| 35        | 650292             | Zyl.-Schraube                    | Cyl. head screw                       |
| 36        | 246623             | Nadellager                       | Needle bearing                        |
| 37        | 746879             | Zyl.-Schraube                    | Cyl. head screw                       |
| 38        | 246621             | Unterwelle                       | Lower shaft                           |
| 39        | 267248             | Stellring kpl.<br>(mit Pos. 40)  | Set collar cpl.<br>(with pos. 40)     |
| 40        | 5411395            | Gewindestift                     | Threaded stud                         |
| 41        | 244518             | Nadellager kpl.<br>(mit Pos. 43) | Needle bearing cpl.<br>(with pos. 43) |
| 42        | 650347             | Zyl.-Schraube                    | Cyl. head screw                       |
| 43        | 244522             | Filzteil                         | Felt                                  |
| 44        | 422297             | Filzteil                         | Felt                                  |
| 45        | 42013              | Filzteil                         | Felt                                  |
| 46        | 246610             | Verschlußkappe                   | Cap                                   |
| 47        | 9331572            | Lasche                           | Shackle                               |
| 48        | MG 43/408          | 6kt.-Mutter                      | Hexagonal nut                         |
| 49        | 9331533            | Ölbehälter                       | Oil box                               |
| 50        | 211801             | Stopfen                          | Plug                                  |
| 51        | 2462555            | Exzenter kpl.<br>(mit Pos. 52)   | Eccentric cpl.<br>(with pos. 52)      |
| 52        | 223648             | Gewindestift                     | Threaded stud                         |
| 53        | 2462558            | Exzenter kpl.<br>(mit Pos. 52)   | Eccentric cpl.<br>(with pos. 52)      |
| 54        | 211109             | Sicher.-Ring                     | Lock ring                             |
| 55        | 211108             | Rillenkugellager                 | Grooved ball bearing                  |
| 56        | 211141a            | Gurtrad kpl.<br>(mit Pos. 23)    | Belt wheel cpl.<br>(with pos. 23)     |
| 57        | 911196             | Verschlußkappe                   | Cap                                   |
| 58        | 211257             | Verschlußkappe                   | Cap                                   |
| 59        | 246614             | Schlauch                         | Hose                                  |
| 60        | 10019130           | Linsenschraube                   | Fillister head screw                  |

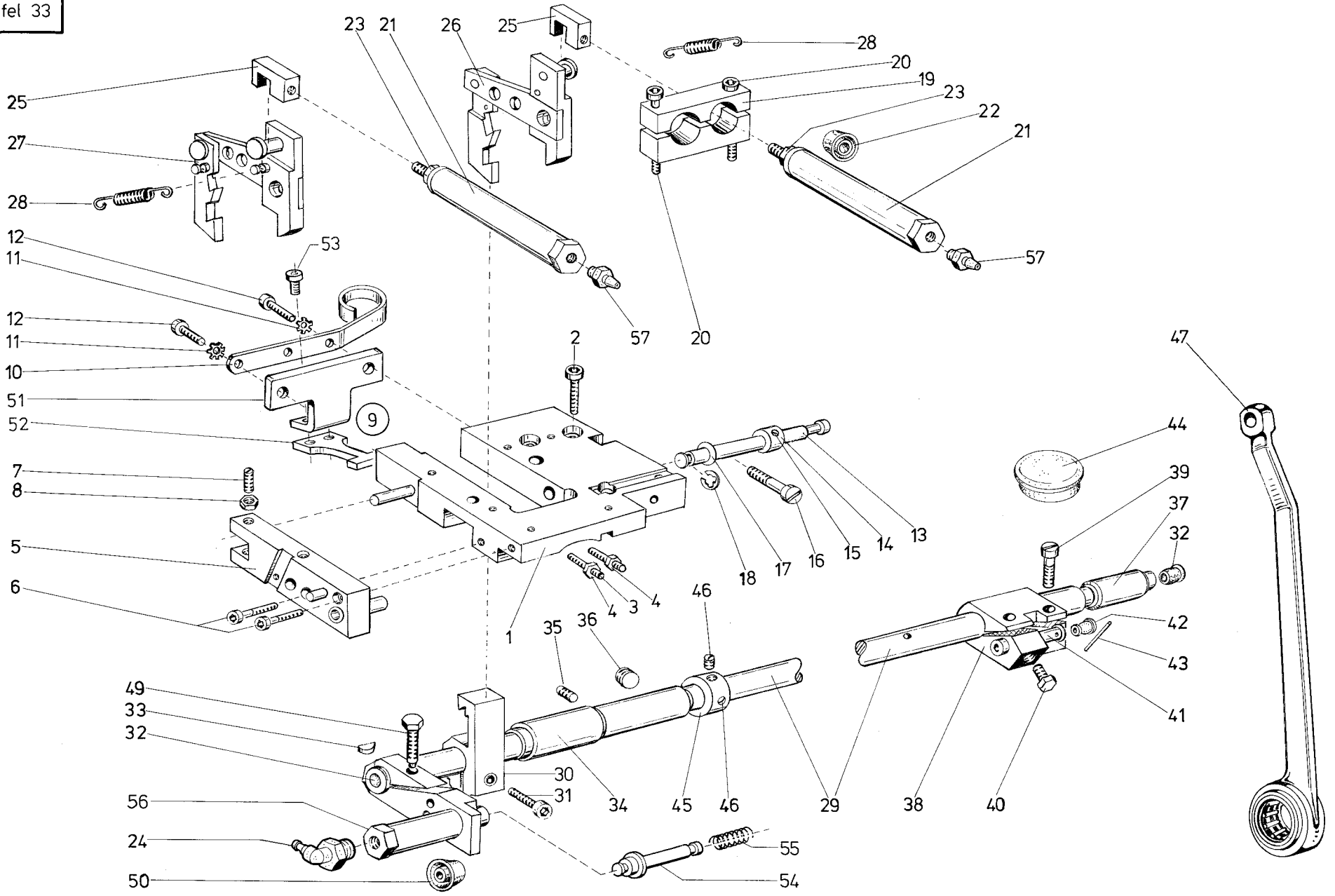
| Pos. Det. | Teile Nr. Part No. | Benennung | Denomination |
|-----------|--------------------|-----------|--------------|
|-----------|--------------------|-----------|--------------|



| Pos. Det. | Teile Nr. Part No. | Benennung                                  | Denomination  |
|-----------|--------------------|--|---|
|           |                    | <b>Teile der Klasse<br/>935-246-41</b>     | <b>Parts of Class<br/>935-246-41</b>                |
| 1         | 935102012          | Nadelstangenkulissee kpl.                  | Needle bar connecting link cpl.                     |
| 2         | 246135a            | Nadelst.-Kulissee kpl. (mit Pos. 3 und 4)  | Needle bar connecting link cpl. (with pos. 3 and 4) |
| 3         | 246136             | Buchse                                     | Bushing   |
| 4         | 246136a            | Buchse                                     | Bushing   |
| 5         | 246146             | Führungsschiene                            | Guide rail  |
| 6         | 216496             | Senkschraube                               | Countersunk screw                                   |
| 7         | 237624             | Zyl.-Schraube                              | Cyl. head screw                                     |
| 8         | 246151             | Nadelstange kpl.                           | Needle bar cpl.                                     |
| 9         | 246152             | Nadelstange, rechts                        | Needle bar, right hand                              |
| 10        | 246169             | Anschlagbolzen                             | Stop bolt   |
| 11        | 380110             | Zyl.-Schraube                              | Cyl. head screw                                     |
| 12        | 38093              | Spezialschraube                            | Special screw                                       |
| 13        | 38094              | Entkuppl.-Stange                           | Releasing rod                                       |
| 14        | 38095              | Druckfeder                                 | Pressure spring                                     |
| 15        | 38096              | Hülse                                      | Sleeve  |
| 16        | 38097              | Kegelbolzen                                | Cone bolt   |
| 17        | 246174             | Klemmring                                  | Clamping ring                                       |
| 18        | 246176             | Klemmring                                  | Clamping ring                                       |
| 19        | 380117             | Gewindestift                               | Threaded stud                                       |
| 20        | 380119             | Kreuzkopf kpl. (best. aus Pos. 21, 22, 23) | Cross head cpl. (cons. of pos. 21, 22, 23)          |
| 21        | 380120k            | Kreuzkopf                                  | Cross head  |
| 22        | 380121             | Führungsgabel                              | Guide fork  |
| 23        | 380122             | Senkschraube                               | Countersunk screw                                   |
| 24        | 246188k            | Halteblech kpl. (mit Pos. 25)              | Fixing plate cpl. (with pos. 25)                    |
| 25        | 246189             | Filzteil                                   | Felt  |
| 26        | 5561827            | Filzteil                                   | Felt  |
| 27        | 556947             | Zyl.-Schraube                              | Cyl. head screw                                     |
| 28        | 246191             | Messerstange                               | Knife rod   |
| 29        | 2462541            | Führungsschiene                            | Guide rail  |
| 30        | 376128             | Zyl.-Schraube                              | Cyl. head screw                                     |
| 31        | 246196             | Druckfeder                                 | Pressure spring                                     |
| 32        | 376131             | Führungsstift                              | Guide pin   |
| 33        | 376132             | Spezialschraube                            | Special screw                                       |
| 34        | 2462543            | Messerkloben kpl. (mit Pos. 35)            | Knife block cpl. (with pos. 35)                     |
| 35        | 5411395            | Gewindestift                               | Threaded stud                                       |

| Pos. Det. | Teile Nr. Part No. | Benennung                              | Denomination                            |
|-----------|--------------------|--|---|
| 36        | 2462547            | Messerhalter kpl. (mit Pos. 40 und 41) | Knife holder cpl. (with pos. 40 and 41) |
| 37        | 216120             | Zyl.-Schraube                          | Cyl. head screw                         |
| 38        | 5691895            | Scheibe                                | Washer                                  |
| 39        | 2462553*           | Messer                                 | Knife                                   |
| 40        | 2041038            | Decklasche                             | Cover joint bar                         |
| 41        | 5691922            | Zyl.-Schraube                          | Cyl. head screw                         |
| 42        | 2462533            | Lagerbolzen                            | Bearing bolt                            |
| 43        | 21668a             | Zyl.-Schraube                          | Cyl. head screw                         |
| 44        | 24697              | Fadenhebel                             | Thread lever                            |
| 45        | 211411a            | Fadenh.-Achse                          | Thread shaft                            |
| 46        | 211416             | Filzteil                               | Felt                                    |
| 47        | 211408             | Nadelkranz                             | Needle bearing                          |
| 48        | 211407             | Anlageplatte                           | Lay-on plate                            |
| 49        | 211331             | Gummiring                              | Rubber ring                             |
| 50        | 211414             | Gewindestift                           | Threaded stud                           |
| 51        | 10011162           | Verschlusskappe                        | Cap                                     |
| 52        | 211398             | Deckschraube                           | Cover screw                             |
| 53        | 246218             | Zugstange                              | Draw bar                                |
| 54        | 211397             | Nadelkranz                             | Needle bearing                          |
| 55        | 24651              | Kurbelzapfen kpl. (mit Pos. 56)        | Crank pin cpl. (with pos. 56)           |
| 56        | 265704             | Filzteil                               | Felt                                    |
| 57        | 2462508            | Zugstange                              | Draw bar                                |
| 58        | 2463975            | Doppelhebel kpl. (mit Pos. 59)         | Double lever cpl. (with pos. 59)        |
| 59        | 7441509            | Zyl.-Schraube                          | Cyl. head screw                         |
| 60        | 2462524            | Buchse                                 | Bush                                    |
| 61        | 7461033            | Gewindestift                           | Threaded stud                           |
| 62        | 2462527            | Lasche                                 | Shackle                                 |
| 63        | 2462521            | Lagerbolzen                            | Bearing bolt                            |
| 64        | 2463987            | Klemmhebel kpl. (mit Pos. 65)          | Clamping lever cpl. (with pos. 65)      |
| 65        | 2658878            | Zyl.-Schraube                          | Cyl. head screw                         |
| 66        | 2463982            | Exzenterwelle                          | Eccentric shaft                         |
| 67        | 2462532            | Gleitstein                             | Sliding piece                           |
| 68        | 2462536            | Klemmstück kpl. (mit Pos. 69)          | Clamping piece cpl. (with pos. 69)      |
| 69        | 7441968            | Zyl.-Schraube                          | Cyl. head screw                         |
| 70        | 421222             | Zyl.-Schraube                          | Cyl. head screw                         |
| 71        | 2462539            | Druckbolzen                            | Pressure bolt                           |
| 72        | 935100057          | Lasche                                 | Shackle                                 |
| 73        | 270631             | Zyl.-Schraube                          | Cyl. head screw                         |
| 74        | 024275             | Scheibe                                | Washer                                  |
| 75        | 380101             | Gestänge kpl.                          | Rods cpl.                               |

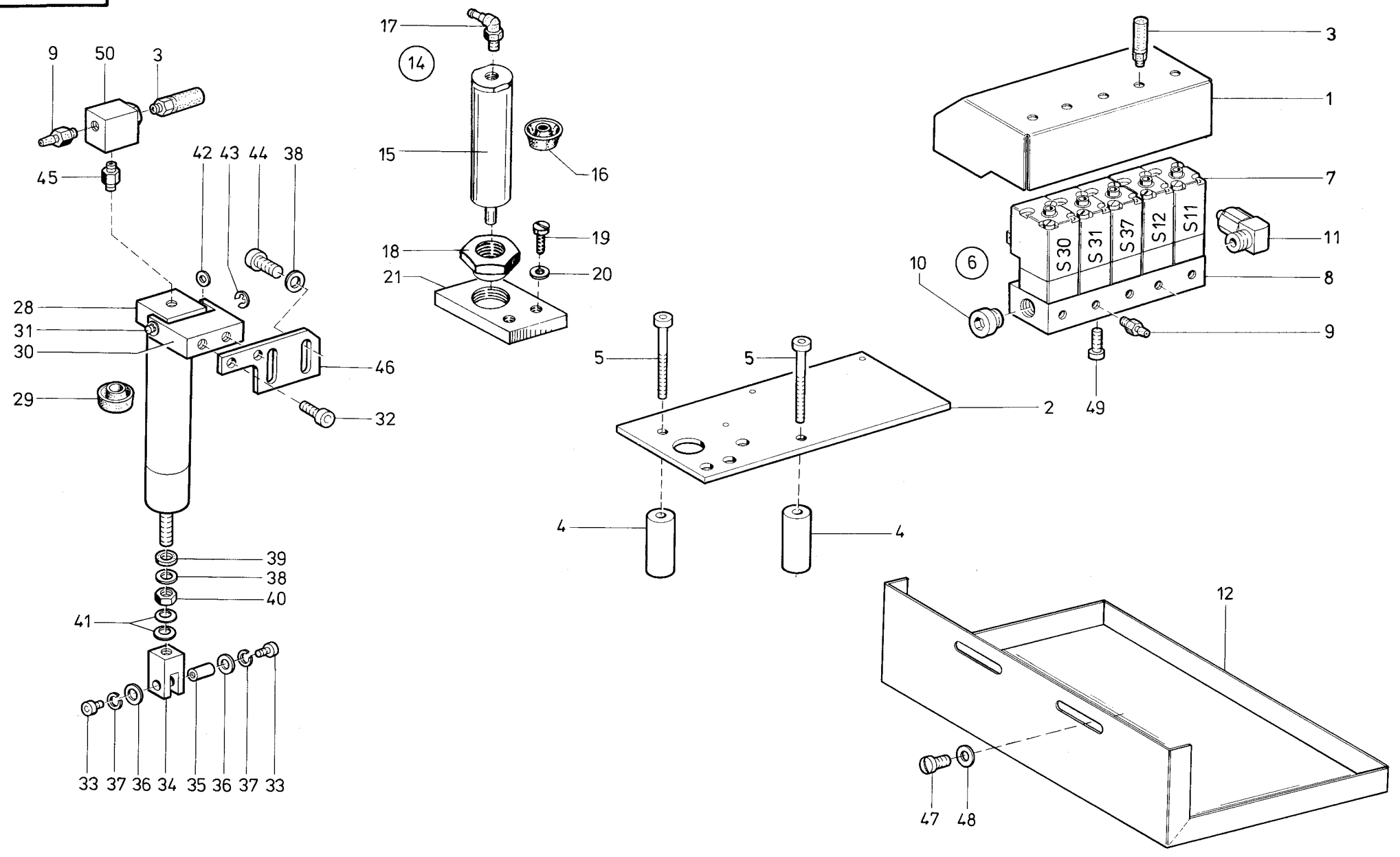
| Pos. Det. | Teile Nr. Part No. | Benennung          | Denomination                     |
|-----------|--------------------|--------------------|----------------------------------|
| 76        | 380102             | Federstange        | Spring rod                       |
| 77        | 380103             | Kegelhülse         | Taper sleeve                     |
| 78        | 380104             | Druckfeder         | Pressure spring                  |
| 79        | 380105             | 6kt.-Mutter        | Hexagonal nut                    |
| 80        | 380106             | Hutmutter          | Dome nut                         |
| 81        | 380108             | Druckfeder         | Pressure spring                  |
| 82        | 246167             | Druckfeder         | Pressure spring                  |
| 83        | 380112             | Sicher.-Ring       | Safety ring                      |
| 84        | 380111             | Kugel              | Ball                             |
| 85        | 246151a            | Nadelstange kpl.   | Needle bar cpl.                  |
| 86        | 246152a            | Nadelstange, links | Needle bar, left hand            |
| 87        | 38089              | Sperrfeder         | Drag spring                      |
| 88        | 211256             | Zyl.-Schraube      | Cyl. head screw                  |
|           |                    | * Beipackteil      | * is included in the Accessories |



| Pos. Det. | Teile Nr. Part No. | Benennung                                     | Denomination  |
|-----------|--------------------|---|---|
|           |                    | <b>Teile der Klasse<br/>935-246-41</b>        | <b>Parts of Class<br/>935-246-41</b>                  |
| 1         | 246122a            | Lagerplatte                                   | Bed plate   |
| 2         | 246130             | Zyl.-Schraube                                 | Cyl. head screw                                       |
| 3         | 911445             | Gewindestift                                  | Threaded stud   |
| 4         | 202704             | 6kt.-Mutter                                   | Hexagonal nut   |
| 5         | 246123k            | Platte  | Plate   |
| 6         | 74420778           | Zyl.-Schraube                                 | Cyl. head screw                                       |
| 7         | 21668              | Gewindestift                                  | Threaded stud   |
| 8         | 216660             | 6kt.-Mutter                                   | Hexagonal nut   |
| 9         | 2461041            | Sperre kpl.<br>(best. aus Pos. 51,<br>52, 53) | Blocking device cpl.<br>(cons. of pos. 51,<br>52, 53) |
| 10        | 246129             | Lasche  | Strip   |
| 11        | 911267             | Zahnscheibe                                   | Toothed washer  |
| 12        | 21646              | Schraube                                      | Screw   |
| 13        | 246139             | Achse   | Shaft   |
| 14        | 246141             | Stellring<br>(mit Pos. 15)                    | Set collar<br>(with pos. 15)                          |
| 15        | 420328             | Gewindestift                                  | Threaded stud   |
| 16        | 246140             | Schraube                                      | Screw   |
| 17        | 570117             | Scheibe                                       | Washer  |
| 18        | 7443142            | Scheibe                                       | Washer  |
| 19        | 935102101          | Klemmbock                                     | Clamping stand  |
| 20        | 246128             | Zyl.-Schraube                                 | Cyl. head screw                                       |
| 21        | 935102105          | Zylinder kpl.<br>(mit Pos. 22)                | Cylinder cpl.<br>(with pos. 22)                       |
| 22        | 21154075           | Dichtring                                     | Gasket ring   |
| 23        | MG 8/7d            | 6kt.-Mutter                                   | Hexagonal nut   |
| 24        | 74423556           | Schlauch-L-Verschr.                           | Hose-L-coupling                                       |
| 25        | 246250             | Gabelkopf                                     | Fork head   |
| 26        | 2461011            | Schalthebel                                   | Switch lever  |
| 27        | 2461023            | Schalthebel                                   | Switch lever  |
| 28        | 2461035            | Zugfeder                                      | Tension spring  |
| 29        | 246271             | Welle   | Shaft   |
| 30        | 2461037            | Klemmhebel kpl.<br>(mit Pos. 31)              | Clamping lever cpl.<br>(with pos. 31)                 |
| 31        | 556362             | Zyl.-Schraube                                 | Cyl. head screw                                       |
| 32        | 219321             | Verschlusskappe                               | Cap   |
| 33        | 945689             | Scheibensfeder                                | Plate spring  |
| 34        | 2461040            | Lager   | Bearing   |
| 35        | 2161146            | Gewindestift                                  | Threaded stud   |
| 36        | 21247              | Gewindestift                                  | Threaded stud   |
| 37        | 246282             | Lager   | Bearing   |

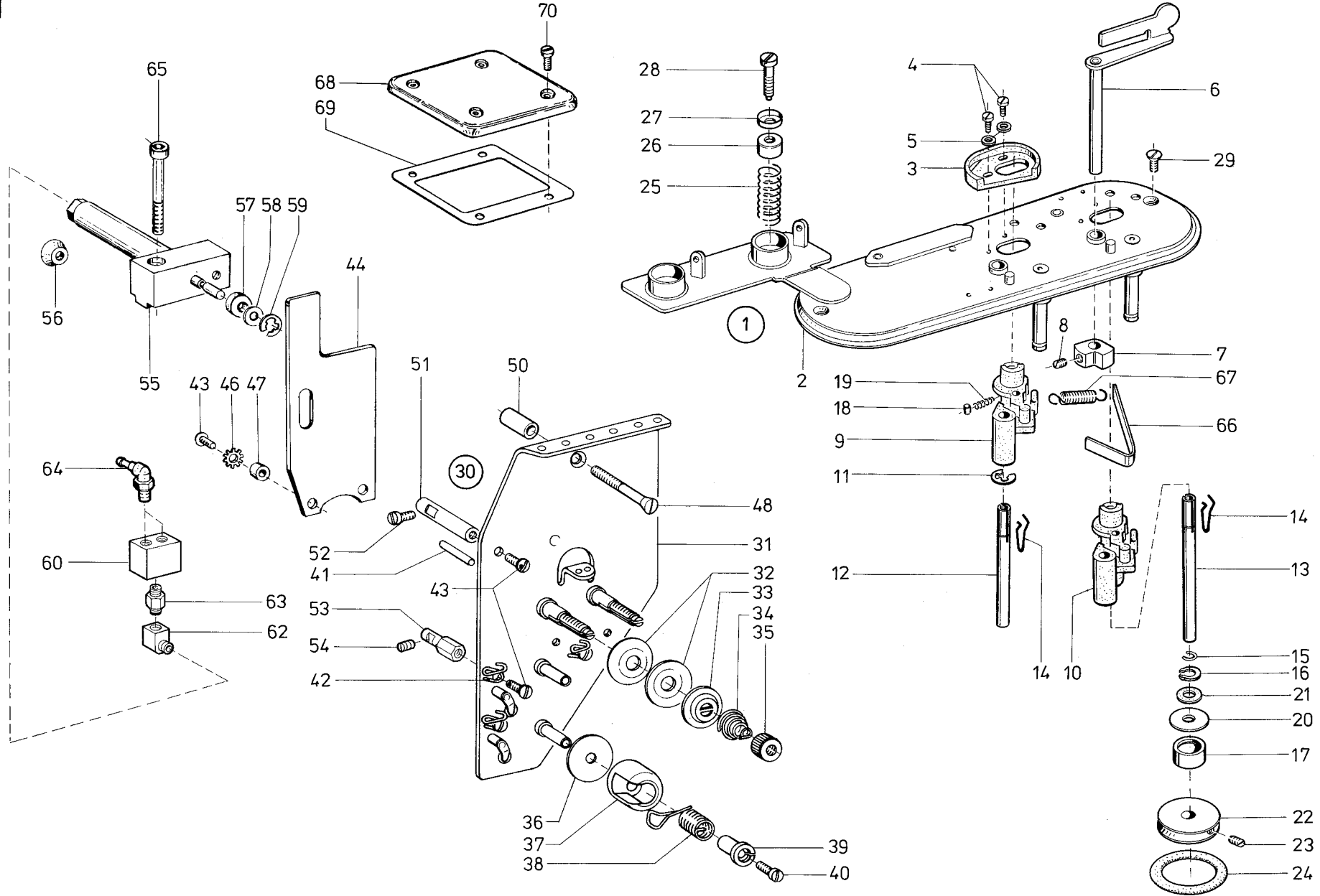
| Pos. Det. | Teile Nr. Part No. | Benennung                             | Denomination                           |
|-----------|--------------------|---------------------------------------|--|
| 38        | 246284             | Kloben<br>(mit Pos. 39 und 40)        | Block<br>(with pos. 39 and 40)         |
| 39        | 216658             | Schraube                              | Screw                                  |
| 40        | 246287             | Schraube                              | Screw                                  |
| 41        | 246289             | Bolzen                                | Bolt                                   |
| 42        | 21185              | Dochthalter                           | Wick holder                            |
| 43        | 21189              | Drahtstift                            | Wire pin                               |
| 44        | 541292             | Gummistopfen                          | Rubber plug                            |
| 45        | 5561099k           | Stellring<br>(mit Pos. 46)            | Set collar<br>(with pos. 46)           |
| 46        | 42084              | Gewindestift                          | Threaded stud                          |
| 47        | 246304             | Zugstange                             | Draw bar                               |
| 49        | 556645             | Stellschraube                         | Adjusting screw                        |
| 50        | 246348             | Lippenring                            | Labial ring                            |
| 51        | 2461047            | Winkel                                | Angle                                  |
| 52        | 2461048            | Sperre                                | Blocking device                        |
| 53        | 2461049            | Zyl.-Schraube                         | Cyl. head screw                        |
| 54        | 246322a            | Bolzen                                | Bolt                                   |
| 55        | 246320             | Druckfeder                            | Pressure spring                        |
| 56        | 246311             | Zylinder kpl.<br>(mit Pos. 49 und 50) | Cylinder cpl.<br>(with pos. 49 and 50) |
| 57        | 7972016            | Schlauchtülle                         | Hose nozzle                            |

| Pos. Det. | Teile Nr. Part No. | Benennung | Denomination |
|-----------|--------------------|-----------|--------------|
|-----------|--------------------|-----------|--------------|





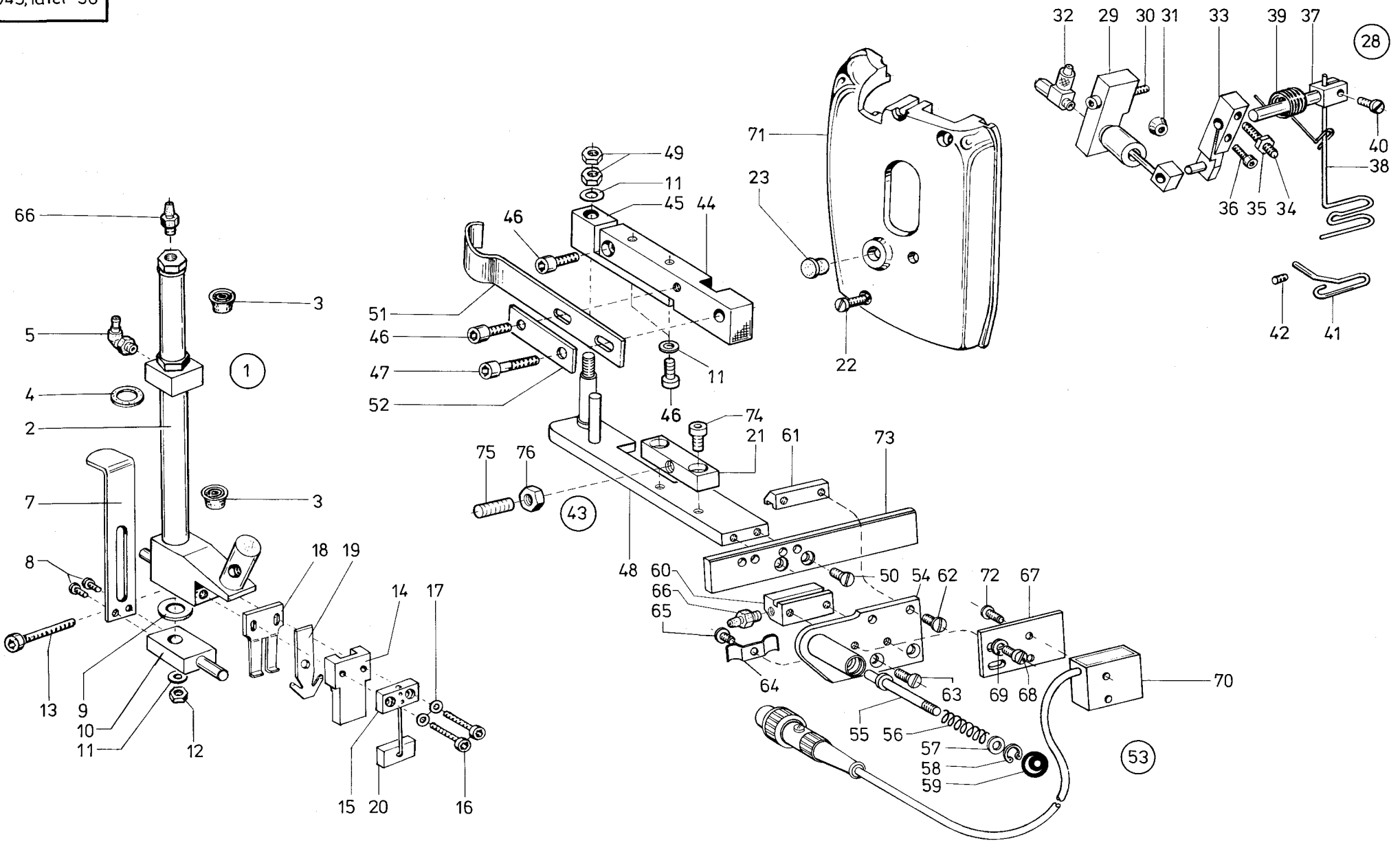




| Pos. Det. | Teile Nr. Part No. | Benennung  | Denomination  |
|-----------|--------------------|--|---|
|           |                    | <b>Teile der Klasse<br/>935-246-41</b>                 | <b>Parts of Class<br/>935-246-41</b>                            |
| 1         | 935100402          | Spuler kpl.<br>(best. aus Pos. 2 bis<br>28, 66 und 67) | Bobbin winder cpl.<br>(cons. of pos. 2 up to<br>28, 66 and 67)  |
| 2         | 244362             | Spulerdeckel   | Bobbin cover  |
| 3         | 2111152            | Fadenabweiser  | Thread repeller   |
| 4         | 265407             | Zyl.-Schraube  | Cyl. head screw   |
| 5         | 913629             | Scheibe  | Washer  |
| 6         | 244381             | Spulerklappe   | Bobbin case flap  |
| 7         | 216603k            | Schaltkloben kpl.<br>(mit Pos. 8)                      | Switch block cpl.<br>(with pos. 8)                              |
| 8         | 223648             | Gewindestift   | Thread stud   |
| 9         | 246466             | Spulerbock,<br>kurz                                    | Bobbin winder support,<br>short                                 |
| 10        | 244388             | Spulerbock,<br>lang                                    | Bobbin winder support,<br>long                                  |
| 11        | 211100a            | Sicher.-Scheibe  | Lock washer   |
| 12        | 246471             | Spulerspindel,<br>kurz, kpl.<br>(mit Pos. 14, 15, 16)  | Bobbin winder spindle,<br>short, cpl.<br>(with pos. 14, 15, 16) |
| 13        | 291758             | Spulerspindel kpl.<br>(mit Pos. 14, 15, 16)            | Bobbin winder spindle<br>cpl. (with pos. 14, 15, 16)            |
| 14        | 271275             | Spezialfeder   | Special spring  |
| 15        | 271276             | Federring  | Spring ring   |
| 16        | 211518             | Greifring  | Grip ring   |
| 17        | 244398             | Ring   | Ring  |
| 18        | 244399             | Zyl.-Rolle   | Cyl. roll   |
| 19        | 244400             | Druckfeder   | Pressure spring   |
| 20        | 244401             | Scheibe  | Washer  |
| 21        | 244396             | Scheibe  | Washer  |
| 22        | 211520             | Spulerrad kpl.<br>(mit Pos. 23)                        | Bobbin winder wheel<br>cpl. (with pos. 23)                      |
| 23        | 2235047            | Gewindestift   | Threaded stud   |
| 24        | 216591             | Gummiring  | Rubber ring   |
| 25        | 244413             | Druckfeder   | Pressure spring   |
| 26        | 244414             | Spannungshülse   | Tension sleeve  |
| 27        | 244415             | Spannungshülse   | Tension sleeve  |
| 28        | 244416             | Linsenschraube   | Fillister head screw  |
| 29        | 722201             | Senkschraube   | Countersunk screw   |
| 30        | 2464104            | Fadenspannung kpl.<br>(best. aus Pos. 31<br>bis 47)    | Thread tightener cpl.<br>(cons. of pos. 31<br>up to 47)         |
| 31        | 2464105            | Halteblech   | Retaining plate   |

| Pos. Det. | Teile Nr. Part No. | Benennung                                  | Denomination                                |
|-----------|--------------------|--|---|
| 32        | 21150214           | Spannungsscheibe                           | Tension disc                                |
| 33        | 114202             | Stegscheibe                                | Stay disc                                   |
| 34        | 00479              | Spannungsfeder                             | Tension spring                              |
| 35        | 211482             | Rändelmutter                               | Knurled nut                                 |
| 36        | 2464112            | Scheibe                                    | Washer                                      |
| 37        | 2111012            | Kapsel                                     | Case  |
| 38        | 2464111            | Anzugsfeder                                | Tension spring                              |
| 39        | 216507             | Spannhülse                                 | Clamping sleeve                             |
| 40        | 216508             | Zyl.-Schraube                              | Cyl. head screw                             |
| 41        | 24088              | Auslösestift                               | Detent pin                                  |
| 42        | 2655253            | Fadenöse                                   | Thread loop                                 |
| 43        | 10019130           | Linsenschraube                             | Fillister head screw                        |
| 44        | 246410a            | Auslöseblech                               | Releasing plate                             |
| 46        | 739347             | Zahnscheibe                                | Tooth lock washer                           |
| 47        | 2111017            | Hülse                                      | Sleeve                                      |
| 48        | 2464120            | Senkschraube                               | Countersunk screw                           |
| 50        | 246417a            | Buchse                                     | Bush  |
| 51        | 246415             | Bolzen                                     | Bolt  |
| 52        | 211464             | Linsenschraube                             | Fillister head screw                        |
| 53        | 935100511          | Distanzbolzen                              | Distance bolt                               |
| 54        | 264762             | Gewindestift                               | Threaded stud                               |
| 55        | 246423a            | Zylinder kpl.<br>(mit Pos. 56, 57, 58, 59) | Cylinder cpl.<br>(with pos. 56, 57, 58, 59) |
| 56        | 55614030           | Dichtring                                  | Gasket ring                                 |
| 57        | 5511802            | Scheibe                                    | Washer                                      |
| 58        | 216315             | Scheibe                                    | Washer                                      |
| 59        | 255129             | Sicher.-Scheibe                            | Lock washer                                 |
| 60        | 55614291           | 3/2-Wege-Ventil                            | Valve                                       |
| 62        | 23810073           | Winkelstück                                | Square piece                                |
| 63        | Z 11650            | Doppelnippel                               | Double nipple                               |
| 64        | 746768             | Schl.-Verschr.                             | Hose coupling screw                         |
| 65        | 246438             | Zyl.-Schraube                              | Cyl. head screw                             |
| 66        | 244403             | Blattfeder                                 | Leaf spring                                 |
| 67        | 244404             | Zugfeder                                   | Tension spring                              |
| 68        | 267482             | Armdeckel                                  | Arm cover                                   |
| 69        | 267483             | Dichtung                                   | Gasket                                      |
| 70        | 216120             | Zyl.-Schraube                              | Cyl. head screw                             |

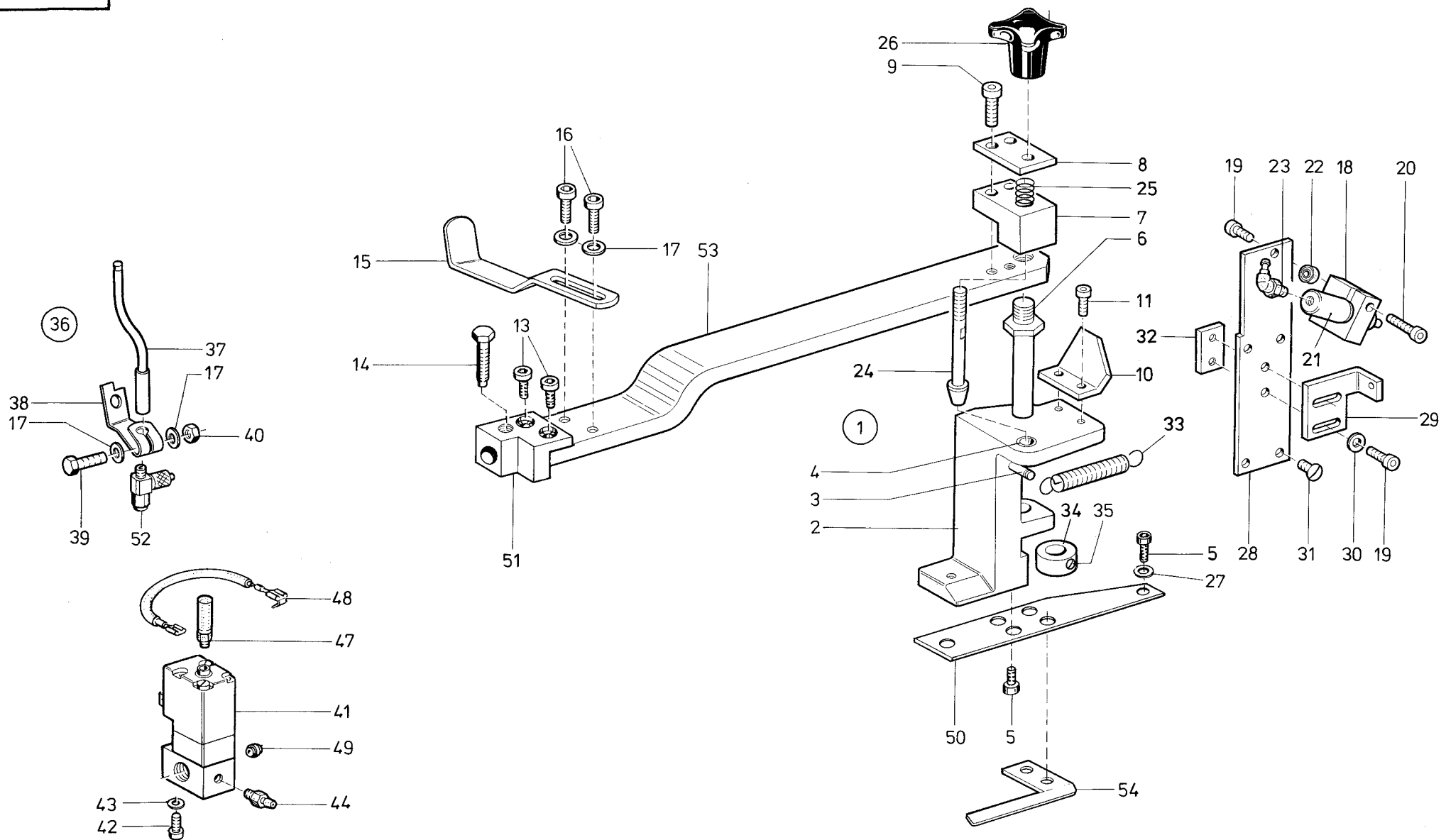
| Pos. Det. | Teile Nr. Part No. | Benennung | Denomination |
|-----------|--------------------|-----------|--------------|
|-----------|--------------------|-----------|--------------|



| Pos. Det. | Teile Nr. Part No. | Benennung  | Denomination   |
|-----------|--------------------|--|--|
|           |                    | <b>Teile der Klasse<br/>935-246-41</b>           | <b>Parts of Class<br/>935-246-41</b>                         |
| 1         | 246586             | Fadenfänger kpl.<br>(best. aus Pos. 2<br>bis 17) | Thread gripping device<br>cpl. (cons. of pos. 2<br>up to 17) |
| 2         | 246587             | Zylinder kpl.<br>(mit Pos. 3 und 4)              | Cylinder cpl.<br>(with pos. 3 and 4)                         |
| 3         | 246348             | Lippenring                                       | Lip seal   |
| 4         | 246341             | Dichtung   | Gasket   |
| 5         | 746768             | Schl.-Verschr.                                   | Hose coupling screw  |
| 7         | 246359             | Halteblech                                       | Holding plate  |
| 8         | 246360             | Zyl.-Schraube                                    | Cyl. head screw  |
| 9         | 570118             | Scheibe  | Washer   |
| 10        | 246591             | Halter   | Holder   |
| 11        | 024275             | Scheibe  | Washer   |
| 12        | MG 8/7d            | 6kt.-Mutter                                      | Hexagonal nut  |
| 13        | 911679a            | Zyl.-Schraube                                    | Cyl. head screw  |
| 14        | 246593             | Führungsstück                                    | Guide piece  |
| 15        | 246596             | Feder  | Spring   |
| 16        | 246369             | Zyl.-Schraube                                    | Cyl. head screw  |
| 17        | 1005233            | Scheibe  | Washer   |
| 18        | 246594             | Messer, für 10 mm NA                             | Knife, for 10 mm ND  |
|           | 2462439            | Messer, für 12 und<br>14 mm NA                   | Knife, for 12 and<br>14 mm ND                                |
|           | 2462441            | Messer, für 16 mm NA                             | Knife, for 16 mm ND  |
| 19        | 242595             | Fadenfänger,<br>für 10 mm NA                     | Thread catcher,<br>for 10 mm ND                              |
|           | 2462432            | Fadenfänger, für<br>12 und 14 mm NA              | Thread catcher, for<br>12 and 14 mm ND                       |
|           | 2462433            | Fadenfänger,<br>für 16 mm NA                     | Thread catcher,<br>for 16 mm ND                              |
| 20        | 246599             | Druckstück,<br>für 10 mm NA                      | Pressure piece,<br>for 10 mm ND                              |
|           | 2462440            | Druckstück, für 12,<br>14, 16 mm NA              | Pressure piece, for 12,<br>14, 16 mm ND                      |
| 21        | 7942415            | Anschlagbock                                     | Stop block   |
| 22        | 211496             | Zyl.-Schraube                                    | Cyl. head screw  |
| 23        | 10011162           | Verschlußkappe                                   | Cap  |
| 24        | 935100342          | Winkel   | Angle  |
| 25        | 911445             | Gewindestift                                     | Threaded stud  |
| 26        | 2113186            | 6kt.-Mutter                                      | Hexagonal nut  |
| 27        | 7395012            | Hutmutter  | Cap nut  |
| 28        | 935100471          | Fadenzieher kpl.<br>(best. aus Pos. 29—40)       | Thread puller cpl.<br>(cons. of pos. 29—40)                  |

| Pos. Det. | Teile Nr. Part No. | Benennung   | Denomination   |
|-----------|--------------------|---|--|
| 29        | 246527a            | Zylinder kpl.<br>(mit Pos. 31)                      | Cylinder cpl.<br>(with pos. 31)                      |
| 30        | Z 111162           | Zyl.-Schraube                                       | Cyl. head screw                                      |
| 31        | 55614030           | Lippenring  | Lip seal   |
| 32        | 797413             | Drosselventil                                       | Throttle valve                                       |
| 33        | 246537             | Antriebshebel kpl.<br>(mit Pos. 34, 35, 36)         | Driver lever cpl.<br>(with pos. 34, 35, 36)          |
| 34        | 2658566            | Gewindestift  | Threaded stud  |
| 35        | 556669             | 6kt.-Mutter   | Hexagonal nut  |
| 36        | 570912             | Zyl.-Schraube                                       | Cyl. head screw                                      |
| 37        | 246546             | Achse   | Axle   |
| 38        | 935100488          | Fadenziehdraht                                      | Thread pull wire                                     |
| 39        | 246549             | Drehfeder   | Torsion spring                                       |
| 40        | 237624             | Zyl.-Schraube                                       | Cyl. head screw                                      |
| 41        | 246419             | Fadenführung  | Thread guide   |
| 42        | 531471             | Gewindestift  | Threaded stud  |
| 43        | 7942401            | Lichtschranke kpl.<br>(best. aus Pos. 44<br>bis 72) | Light barrier cpl.<br>(cons. of pos. 44<br>up to 72) |
| 44        | 7942404            | Leiste  | Reglet   |
| 45        | 7942405            | Halter  | Holder   |
| 46        | 7441509            | Zyl.-Schraube                                       | Cyl. head screw                                      |
| 47        | 2386530            | Zyl.-Schraube                                       | Cyl. head screw                                      |
| 48        | 2464153            | Leiste  | Reglet   |
| 49        | MG 8/7d            | 6kt.-Schraube                                       | Hexagonal screw                                      |
| 50        | 90297              | Senkschraube  | Countersunk screw                                    |
| 51        | 2461116            | Blattfeder  | Leaf spring  |
| 52        | 2461117            | Platte  | Plate  |
| 53        | 7942424            | Halter kpl.<br>(best. aus Pos. 54<br>bis 72)        | Holder cpl.<br>(cons. of pos. 54<br>up to 72)        |
| 54        | 2464172            | Halter  | Holder   |
| 55        | 2464176            | Bolzen  | Bolt   |
| 56        | 73976              | Druckfeder  | Pressure spring                                      |
| 57        | 10019243           | Scheibe   | Washer   |
| 58        | 265138             | Sicher.-Ring  | Circlip  |
| 59        | 2652100            | Kugelknopf  | Spherical button                                     |
| 60        | 7942434            | Führungsstück                                       | Guide piece  |
| 61        | 2464183            | Führungsstück                                       | Guide piece  |
| 62        | 219353             | Linsenschraube                                      | Fillister head screw                                 |
| 63        | 7933508            | Senkschraube  | Countersunk screw                                    |
| 64        | 2464186            | Blattfeder  | Leaf spring  |
| 65        | 9441366            | Linsenschraube                                      | Fillister head screw                                 |
| 66        | 7972016            | Schlauchdüse  | Hose nozzle  |
| 67        | 2464187            | Platte  | Plate  |

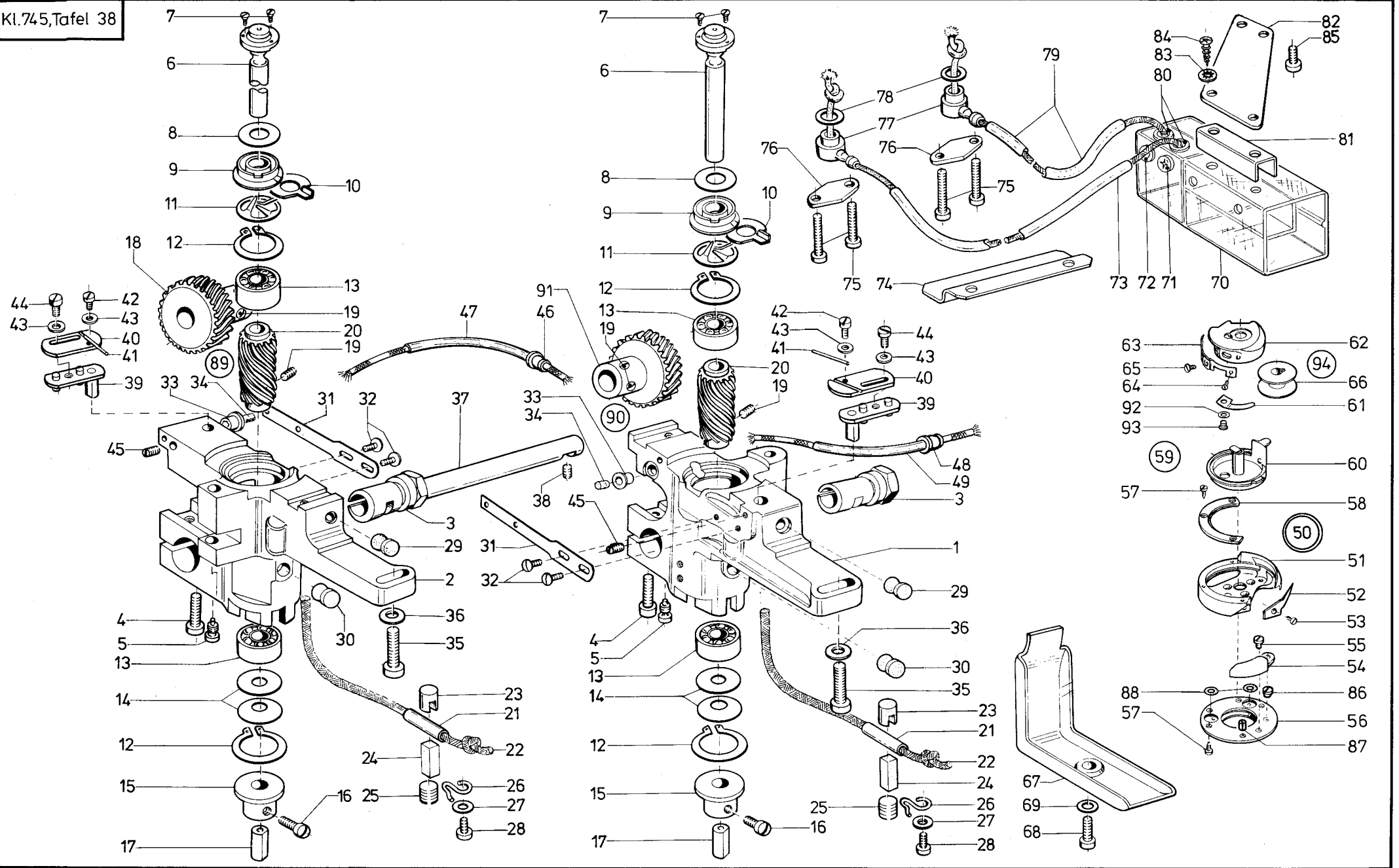
| Pos. Det. | Teile Nr. Part No. | Benennung             | Denomination        |
|-----------|--------------------|-----------------------|---------------------|
| 68        | 223700             | Zyl.-Schraube         | Cyl. head screw     |
| 69        | 5691895            | Scheibe               | Washer              |
| 70        | Z 133103           | Lichtschranke         | Light barrier       |
| 71        | 246372             | Kopfdeckel            | Head cover          |
| 72        | 551987             | Senkschraube          | Countersunk screw   |
| 73        | 7942452            | Führung, für 10 mm NA | Guide, for 10 mm ND |
|           | 7942453            | Führung, für 12 mm NA | Guide, for 12 mm ND |
|           | 7942454            | Führung, für 14 mm NA | Guide, for 14 mm ND |
|           | 7942455            | Führung, für 16 mm NA | Guide, for 16 mm ND |
|           | 7942457            | Führung, für 20 mm NA | Guide, for 20 mm ND |
| 74        | 2461049            | Zyl.-Schraube         | Cyl. head screw     |
| 75        | 2658566            | Gewindestift          | Threaded stud       |
| 76        | 2113028            | 6kt.-Mutter           | Hexagonal nut       |



| Pos. Det. | Teile Nr. Part No. | Benennung   | Denomination   |
|-----------|--------------------|---|--|
|           |                    | <b>Teile der Klasse<br/>935-246-41</b>                        | <b>Parts of Class<br/>935-246-41</b>                               |
| 1         | 935100552          | Stempelhalter kpl.<br>(best. aus Pos. 2 bis<br>35, 50 bis 54) | Stamp holder cpl.<br>(cons. of pos. 2 up<br>to 35, 50 up to 54)    |
| 2         | 935100553k         | Bock kpl.<br>(mit Pos. 3 und 4)                               | Block cpl.<br>(with pos. 3 and 4)                                  |
| 3         | 74640039           | Paßkerbstift  | Grooved dowel pin  |
| 4         | 935100553a         | Buchse  | Bushing  |
| 5         | 246984             | Zyl.-Schraube   | Cyl. head screw  |
| 6         | 935100556          | Bolzen  | Bolt   |
| 7         | 935100558          | Lager   | Bearing  |
| 8         | 935100559          | Platte  | Plate  |
| 9         | 246130             | Zyl.-Schraube   | Cyl. head screw  |
| 10        | 935100560          | Winkel  | Angle  |
| 12        | 570912             | Zyl.-Schraube   | Cyl. head screw  |
| 13        | 2124909            | Zyl.-Schraube   | Cyl. head screw  |
| 14        | 74650495           | 6kt.-Schraube   | Hexagonal screw  |
| 15        | 246989             | Anschlag  | Stop   |
| 16        | 7441509            | Zyl.-Schraube   | Cyl. head screw  |
| 17        | 024275             | Scheibe   | Washer   |
| 18        | 7925767            | Klemmstück  | Clamping piece   |
| 19        | 7461033            | Zyl.-Schraube   | Cyl. head screw  |
| 20        | 74420778           | Zyl.-Schraube   | Cyl. head screw  |
| 21        | 246968             | Zylinder kpl.<br>(mit Pos. 22)                                | Cylinder cpl.<br>(with pos. 22)                                    |
| 22        | 55614030           | Lippenring  | Lip seal   |
| 23        | 746768             | Stecknippel   | Plug nipple  |
| 24        | 935100581          | Bolzen  | Bolt   |
| 25        | 246320             | Druckfeder  | Pressure spring  |
| 26        | 7441559            | Sterngriff  | Star grip  |
| 27        | 557263             | Scheibe   | Washer   |
| 28        | 935100588          | Abdeckblech   | Covering plate   |
| 29        | 935100589          | Winkel  | Angle  |
| 30        | 5691895            | Scheibe   | Washer   |
| 31        | 10019130           | Linsenschraube  | Fillister head screw   |
| 32        | 5701228            | Gewindelasche   | Threaded shackle   |
| 33        | 558951             | Zugfeder  | Draw spring  |
| 34        | 570791             | Stellring kpl.<br>(mit Pos. 35)                               | Set collar cpl.<br>(with pos. 35)                                  |
| 35        | 223646             | Gewindestift  | Threaded stud  |
| 36        | 2464301            | Nadelkühlung kpl.<br>(best. aus Pos. 17, 23,<br>37 bis 49)    | Needle cooling unit cpl.<br>(cons. of pos. 17, 23,<br>37 up to 49) |

| Pos. Det. | Teile Nr. Part No. | Benennung      | Denomination      |
|-----------|--------------------|----------------|-------------------|
| 37        | 2464304            | Blasrohr       | Blowing pipe      |
| 38        | 2464311            | Halter         | Holder            |
| 39        | 702604             | 6kt.-Schraube  | Hexagonal screw   |
| 40        | MG 8/7d            | 6kt.-Mutter    | Hexagonal nut     |
| 41        | 797331             | Magnetventil   | Solenoid valve    |
| 42        | 7441509            | Zyl.-Schraube  | Cyl. head screw   |
| 43        | 024275             | Scheibe        | Washer            |
| 44        | 7972016            | Schlauchtülle  | Hose nozzle       |
| 47        | Z 11649            | Schalldämpfer  | Silencer          |
| 48        | 74221623           | Leitung        | Cable             |
| 49        | 7443572            | Steckverbinder | Plug-in connector |
| 50        | 246983a            | Blattfeder     | Leaf spring       |
| 51        | 246986             | Kloben         | Block             |
| 52        | 797411             | Drosselventil  | Throttle valve    |
| 53        | 935100557          | Leiste         | Reglet            |
| 54        | 935100587          | Schutzblech    | Guard plate       |

| Pos. Det. | Teile Nr. Part No. | Benennung | Denomination |
|-----------|--------------------|-----------|--------------|
|-----------|--------------------|-----------|--------------|

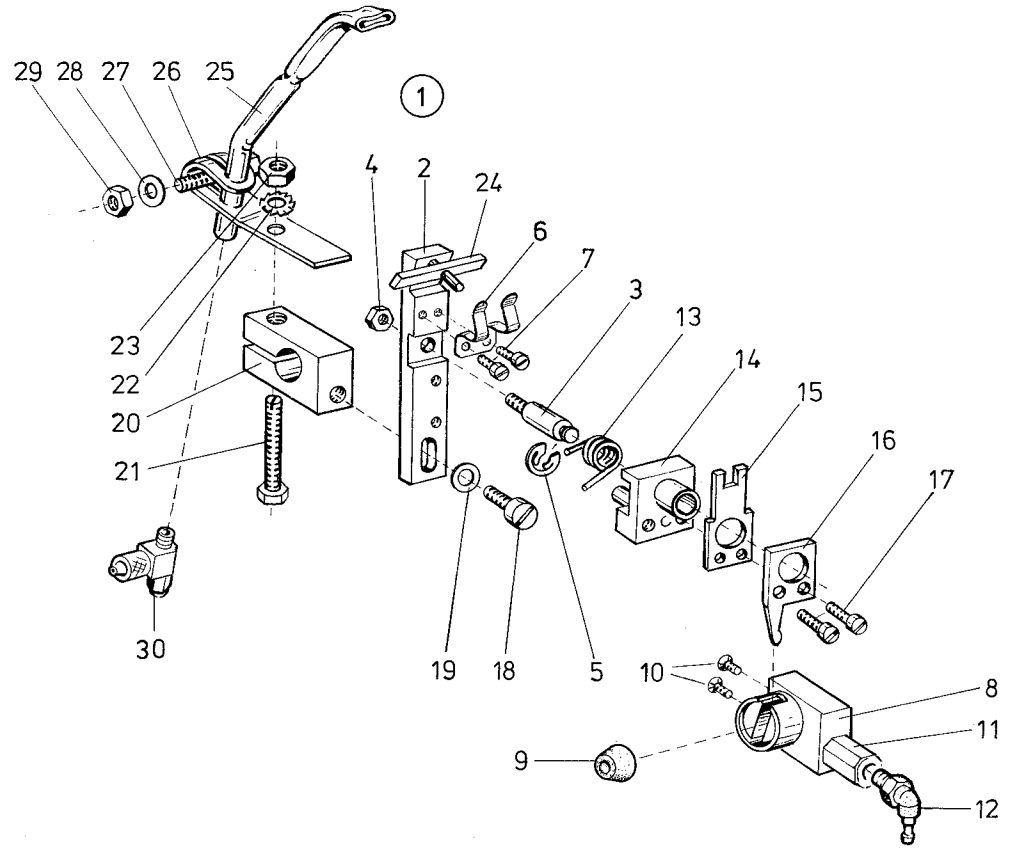


| Pos. Det. | Teile Nr. Part No. | Benennung   | Denomination   |
|-----------|--------------------|---|--|
|           |                    | <b>Teile der Klasse<br/>935-246-41</b>              | <b>Parts of Class<br/>935-246-41</b>                   |
| 1         | 2463003            | Greifergehäuse kpl.<br>(mit Pos. 3, 4, 5)<br>rechts | Hook housing cpl.<br>(with pos. 3, 4, 5)<br>right hand |
| 2         | 2463004            | Greifergehäuse kpl.<br>(mit Pos. 3, 4, 5)<br>links  | Hook housing cpl.<br>(with pos. 3, 4, 5)<br>left hand  |
| 3         | 244677             | Exzenterbuchse                                      | Eccentric bush   |
| 4         | 650292             | Zyl.-Schraube                                       | Cyl. head screw  |
| 5         | 42036              | Zyl.-Schraube                                       | Cyl. head screw  |
| 6         | 244681             | Greiferwelle  | Hook shaft   |
| 7         | 244685             | Senkschraube  | Countersunk screw                                      |
| 8         | 244682             | Abstreifblech                                       | Oil wiping plate                                       |
| 9         | 211646a            | Ölscheibe   | Oil disc   |
| 10        | 244684             | Scheibe   | Washer   |
| 11        | 265887             | Federscheibe  | Spring washer  |
| 12        | 21125              | Sicher.-Ring  | Circlip  |
| 13        | 21124              | Rillenkula.   | Grooved ball bearing                                   |
| 14        | 21127              | Tellerfeder   | Cup spring   |
| 15        | 246687             | Buchse kpl.<br>(mit Pos. 16)                        | Bush cpl.<br>(with pos. 16)                            |
| 16        | 21668a             | Linsenschraube                                      | Fillister head screw                                   |
| 17        | 246690             | Druckstift  | Pressure pin   |
| 18        | 244707             | Schraubenrad kpl.<br>(mit Pos. 19)                  | Helical gear wheel cpl.<br>(with pos. 19)              |
| 19        | 223237             | Gewindestift  | Threaded stud  |
| 20        | 244701             | Schraubenrad kpl.<br>(mit Pos. 19)                  | Helical gear wheel cpl.<br>(with pos. 19)              |
| 21        | 265749             | Schlauch  | Hose   |
| 22        | 244803             | Docht   | Oil wick   |
| 23        | 265753             | Druckhülse  | Pressure sleeve  |
| 24        | 244724             | Druckstab   | Pressure piece   |
| 25        | 211634             | Schraube  | Screw  |
| 26        | 211635             | Arretierfeder                                       | Arrester spring  |
| 27        | 531460             | Scheibe   | Washer   |
| 28        | 10019128           | Zyl.-Schraube                                       | Cyl. head screw  |
| 29        | 219321             | Verschlußkappe                                      | Cap  |
| 30        | 10011162           | Verschlußkappe                                      | Cap  |
| 31        | 244773             | Dochthalterung                                      | Wick holder  |
| 32        | 10019130           | Linsenschraube                                      | Fillister head screw                                   |
| 33        | 244771             | Hülse   | Sleeve   |
| 34        | 244772             | Filz  | Felt   |
| 35        | 21131              | Zyl.-Schraube                                       | Cyl. head screw  |

| Pos. Det. | Teile Nr. Part No. | Benennung  | Denomination  |
|-----------|--------------------|--|---|
| 36        | 557263             | Scheibe  | Washer  |
| 37        | 244784             | Lagerbolzen  | Bearing bolt  |
| 38        | 2161146            | Gewindestift   | Threaded stud   |
| 39        | 244831             | Lasche   | Shackle   |
| 40        | 244834             | Halter kpl.<br>(mit Pos. 41, 42, 43)                                       | Holder cpl.<br>(with pos. 41, 42, 43)                                     |
| 41        | 244836             | Drahtstift   | Wire pin  |
| 42        | 70263              | Zyl.-Schraube  | Cyl. head screw   |
| 43        | 1005233            | Scheibe  | Washer  |
| 44        | 5561686            | Zyl.-Schraube  | Cyl. head screw   |
| 45        | 421222             | Gewindestift   | Threaded stud   |
| 46        | 21184k             | Dochthalter kpl.   | Wick holder cpl.  |
| 47        | 244776             | Schlauch   | Hose  |
| 48        | 21183k             | Dochthalter kpl.   | Wick holder cpl.  |
| 49        | 244778             | Schlauch   | Hose  |
| 50        | 935100751          | Greifer kpl.<br>(best. aus Pos. 51<br>und 94)                              | Hook cpl.<br>(cons. of pos. 51<br>and 94)                                 |
| 51        | 2441022            | Greifer kpl.<br>(mit Pos. 52, 53, 54,<br>55, 56, 57, 58, 86,<br>87, 88)    | Hook cpl.<br>(with pos. 52, 53, 54,<br>55, 56, 57, 58, 86,<br>87, 88)     |
| 52        | 244968             | Greiferspitze  | Hook tongue   |
| 53        | 211921a            | Schraube   | Screw   |
| 54        | 2441023            | Nadelschutz  | Needle guard  |
| 55        | 902428             | Zyl.-Schraube  | Cyl. head screw   |
| 56        | 2441027            | Ölring   | Oil ring  |
| 57        | 2441029            | Zyl.-Schraube  | Cyl. head screw   |
| 58        | 244970             | Greiferdeckel  | Hook cover  |
| 59        | 935100781          | Spul.-Geh. Oberteil kpl.<br>(best. aus Pos. 61, 62,<br>63, 64, 65, 92, 93) | Upper bobbin casing<br>cpl. (cons. of pos. 61,<br>62, 63, 64, 65, 92, 93) |
| 60        | 2463042            | Spul.-Geh. Unterteil   | Lower bobbin casing   |
| 61        | 2441037            | Bremsfeder   | Brake spring  |
| 62        | 935100782          | Spul.-Geh. Oberteil  | Upper bobbin casing   |
| 63        | 935100783          | Spann.-Feder   | Tension spring  |
| 64        | 211936             | Zyl.-Schraube  | Cyl. head screw   |
| 65        | 244992             | Regulierschraube   | Adjusting screw   |
| 66        | 2463058            | Spule  | Bobbin  |
| 67        | 935100741          | Ölfangschale   | Oil tray  |
| 68        | 902602             | Zyl.-Schraube  | Cyl. head screw   |
| 69        | 216157             | Dichtung   | Gasket  |
| 70        | 246821             | Ölbehälter   | Oil box   |
| 71        | 5563087            | Füllstopfen  | Filling plug  |
| 72        | 5563086            | Verschlußstopfen   | Sealing plug  |

| Pos. Det. | Teile Nr. Part No. | Benennung   | Denomination  |
|-----------|--------------------|---|---|
| 73        | 93321883           | Schlauch  | Hose  |
| 74        | 244808             | Schutzblech   | Guard plate   |
| 75        | 21646              | Zyl.-Schraube   | Cyl. head screw   |
| 76        | 244796             | Lasche  | Shackle   |
| 77        | 244791             | Ölflansch   | Oil flange  |
| 78        | 244795             | Dichtung  | Gasket  |
| 79        | 244802             | Schlauch  | Hose  |
| 80        | 211806             | Verschlußkappe  | Cap   |
| 81        | 5563088            | Bef.-Stück  | fastening piece   |
| 82        | 246827             | Halteblech  | Retaining plate   |
| 83        | 739347             | Zahnscheibe   | Tooth lock washer   |
| 84        | 7441115            | Blechschrabe  | Sheet metal screw   |
| 85        | 223700             | Zyl.-Schraube   | Cyl. head screw   |
| 86        | 2441024            | Exzenter  | Eccentric   |
| 87        | 2441026            | Spannhülse  | Clamping sleeve   |
| 88        | 2441028            | Gummiring   | Rubber ring   |
| 89        | 244705             | Schraubenradpaar kpl.<br>(best. aus Pos. 18,<br>19, 20)                 | Pair of wheels cpl.<br>(cons. of pos. 18,<br>19, 20)                                |
| 90        | 244696             | Schraubenradpaar kpl.<br>(best. aus Pos. 19,<br>20, 21)                 | Pair of wheels cpl.<br>(cons. of pos. 19,<br>20, 21)                                |
| 91        | 244698             | Schraubenrad kpl.<br>(mit Pos. 19)                                      | Helical gear wheel cpl.<br>(with pos. 19)   |
| 92        | 246909b            | Scheibe   | Washer  |
| 93        | 2441038            | Zyl.-Schraube   | Cyl. head screw   |
| 94        | 935100771          | Spul.-Geh. Ober- und<br>Unterteil kpl.<br>(best. aus Pos. 59<br>und 60) | Upper bobbin casing<br>and lower bobbin<br>casing cpl. (cons. of<br>pos. 59 and 60) |

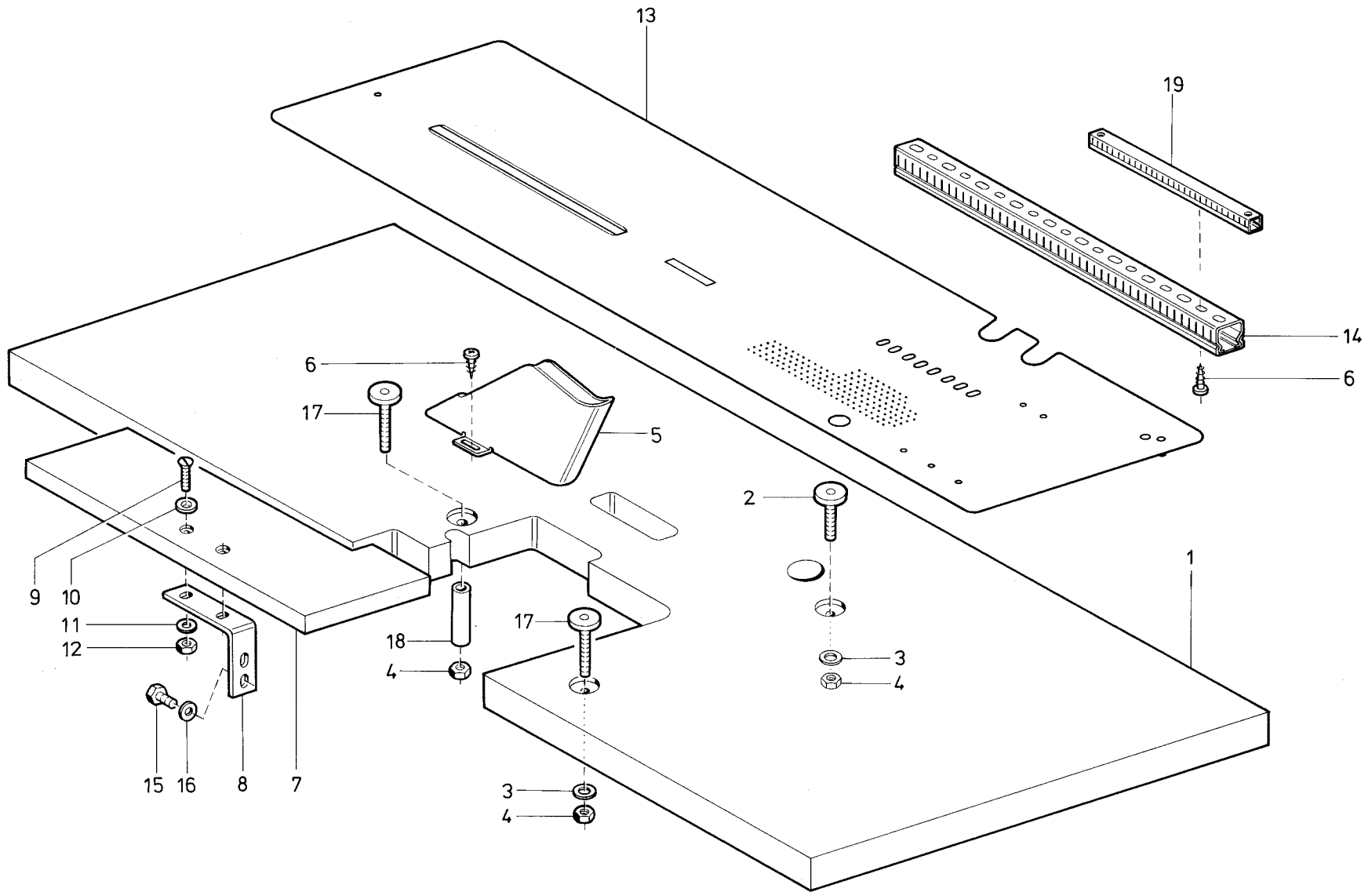




| Pos. Det. | Teile Nr. PartNo. | Benennung   | Denomination  |
|-----------|-------------------|---|---|
|           |                   | <b>Teile der Klasse<br/>935-246-41</b>                | <b>Parts of Class<br/>935-246-41</b>                |
| 1         | 246922            | Fadenabschneider kpl.<br>(best. aus Pos. 2<br>bis 30) | Thread cutter cpl.<br>(cons. of pos. 2 up<br>to 30) |
| 2         | 246923            | Aufnahmeleiste  | Take-up reglet                                      |
| 3         | 246927            | Bolzen  | Bolt  |
| 4         | 202704            | 6kt.-Mutter   | Hexagonal nut                                       |
| 5         | 255129            | Sicher.-Scheibe                                       | Lock washer   |
| 6         | 246930            | Blattfeder  | Leaf spring   |
| 7         | 739297            | Zyl.-Schraube   | Cyl. head screw                                     |
| 8         | 246931            | Zylinder kpl.<br>(mit Pos. 9)                         | Cylinder cpl.<br>(with pos. 9)                      |
| 9         | 246937            | Lippenring  | Lip seal  |
| 10        | 420324            | Senkschraube  | Countersunk screw                                   |
| 11        | 7462208           | Verb.-Stück   | Connecting piece                                    |
| 12        | 746768            | Schl.-Verschr.  | Hose coupling screw                                 |
| 13        | 246941            | Drehfeder   | Torsion spring                                      |
| 14        | 246942            | Aufnahmeplatte  | Take-up plate                                       |
| 15        | 246945            | Übertr.-Hebel   | Transfer lever                                      |
| 16        | 246946            | Hebel   | Lever   |
| 17        | 216120            | Zyl.-Schraube   | Cyl. head screw                                     |
| 18        | 2401027           | Zyl.-Schraube   | Cyl. head screw                                     |
| 19        | 557263            | Scheibe   | Washer  |
| 20        | 246951            | Klemmstück kpl.<br>(mit Pos. 21)                      | Clamping piece cpl.<br>(with pos. 21)               |
| 21        | 5561653           | 6kt.-Schraube   | Hexagonal screw                                     |
| 22        | 211609            | Zahnscheibe   | Tooth lock washer                                   |
| 23        | MG 43/408         | 6kt.-Mutter   | Hexagonal nut                                       |
| 24        | 246955            | Keil (zu Messer)                                      | Block (to knife)                                    |
| 25        | 246959            | Tülle   | Sleeve  |
| 26        | 246960            | Halter  | Holder  |
| 27        | 2658878           | 6kt.-Schraube   | Hexagonal screw                                     |
| 28        | 024275            | Scheibe   | Washer  |
| 29        | 237202            | 6kt.-Mutter   | Hexagonal nut                                       |
| 30        | 797411            | Drosselventil   | Throttle valve                                      |

| Pos. Det. | Teile Nr. PartNo. | Benennung | Denomination |
|-----------|-------------------|-----------|--------------|
|-----------|-------------------|-----------|--------------|

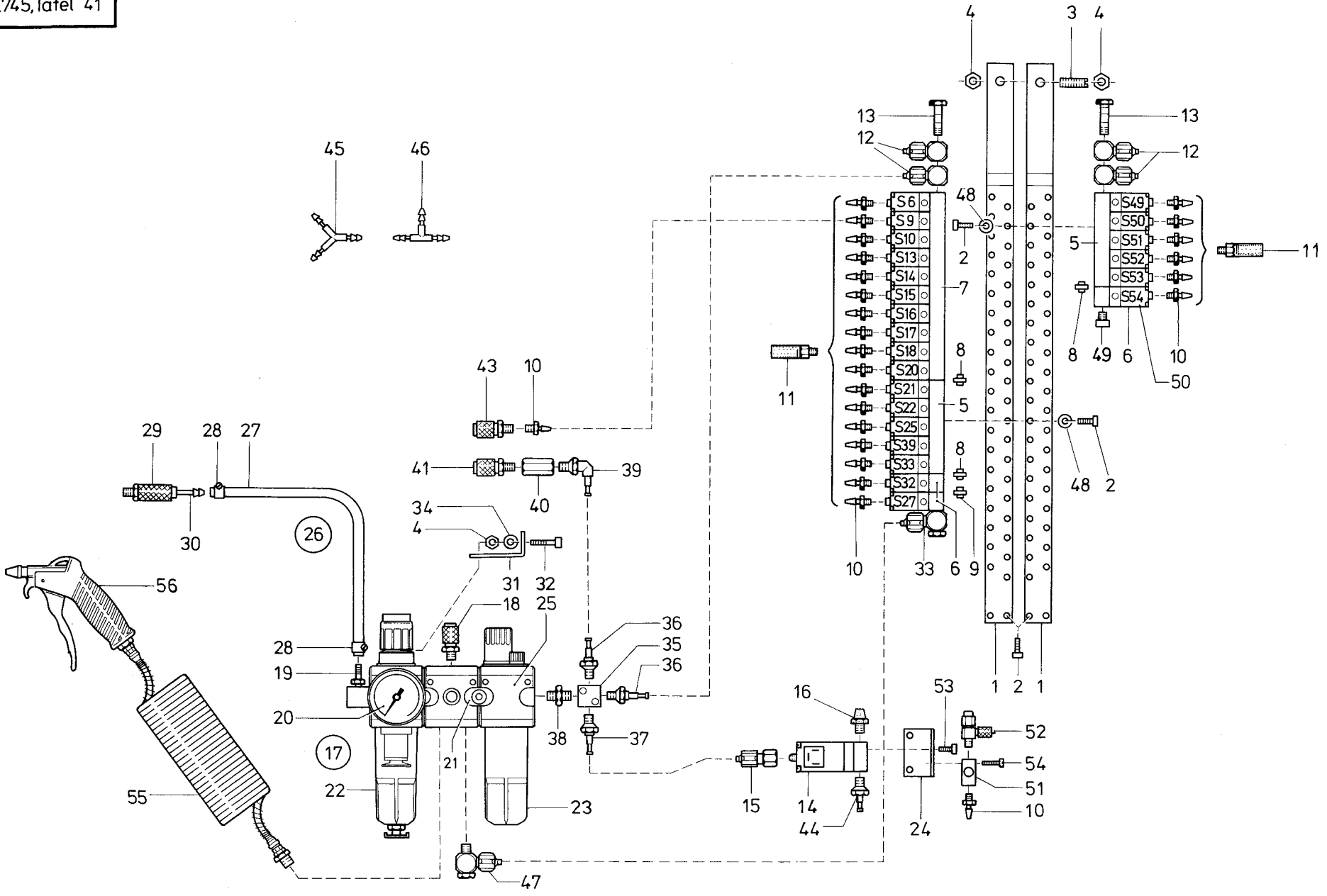
| Pos. Det. | Teile Nr. PartNo. | Benennung | Denomination |
|-----------|-------------------|-----------|--------------|
|-----------|-------------------|-----------|--------------|



| Pos.<br>Det. | Teile Nr.<br>Part No. | Benennung                                     | Denomination  |
|--------------|-----------------------|---|---|
| 1            | 7005002               | Tischplatte                                   | Table board   |
| 2            | 74240188              | Spezialschraube                               | Special screw                                       |
| 3            | 72043                 | Scheibe                                       | Washer  |
| 4            | 72042a                | 6kt.-Mutter                                   | Hexagonal nut                                       |
| 5            | 263761                | Riemenschutz                                  | Belt guard  |
| 6            | 713302                | Holzschraube                                  | Wood screw  |
| 7            | 7005003               | Ansatzplatte                                  | Annexed plate                                       |
| 8            | MG 50/1602            | Winkel  | Angle   |
| 9            | 7443324               | Senkschraube                                  | Countersunk screw                                   |
| 10           | 7441318               | Scheibe                                       | Washer  |
| 11           | 739595                | Scheibe                                       | Washer  |
| 12           | 74450244              | 6kt.-Mutter                                   | Hexagonal nut                                       |
| 13           | 7927401               | Gleitblech (für 8 und<br>10 mm Nadelabstand)  | Sliding plate (for 8 and<br>10 mm needle distance)  |
|              | 7927408               | Gleitblech (für 12 und<br>14 mm Nadelabstand) | Sliding plate (for 12 and<br>14 mm needle distance) |
|              | 7927411               | Gleitblech (für 16 mm<br>Nadelabstand)        | Sliding plate (for<br>16 mm needle distance)        |
|              | 7927414               | Gleitblech (für 20 mm<br>Nadelabstand)        | Sliding plate (for<br>20 mm needle distance)        |
| 14           | 74450685              | Kabelkanal (an Pos. 1)                        | Cable duct (on pos. 1)                              |
| 15           | 556362                | 6kt.-Schraube                                 | Hexagonal screw                                     |
| 16           | 557263                | Scheibe                                       | Washer  |
| 17           | MG 50/1621            | Spezialschraube                               | Special screw                                       |
| 18           | MG 50/1624            | Hülse   | Sleeve  |
| 19           | 746546                | Kabelkanal (an Pos. 1)                        | Cable duct (on pos. 1)                              |

| Pos.<br>Det. | Teile Nr.<br>Part No. | Benennung | Denomination |
|--------------|-----------------------|-----------|--------------|
|--------------|-----------------------|-----------|--------------|

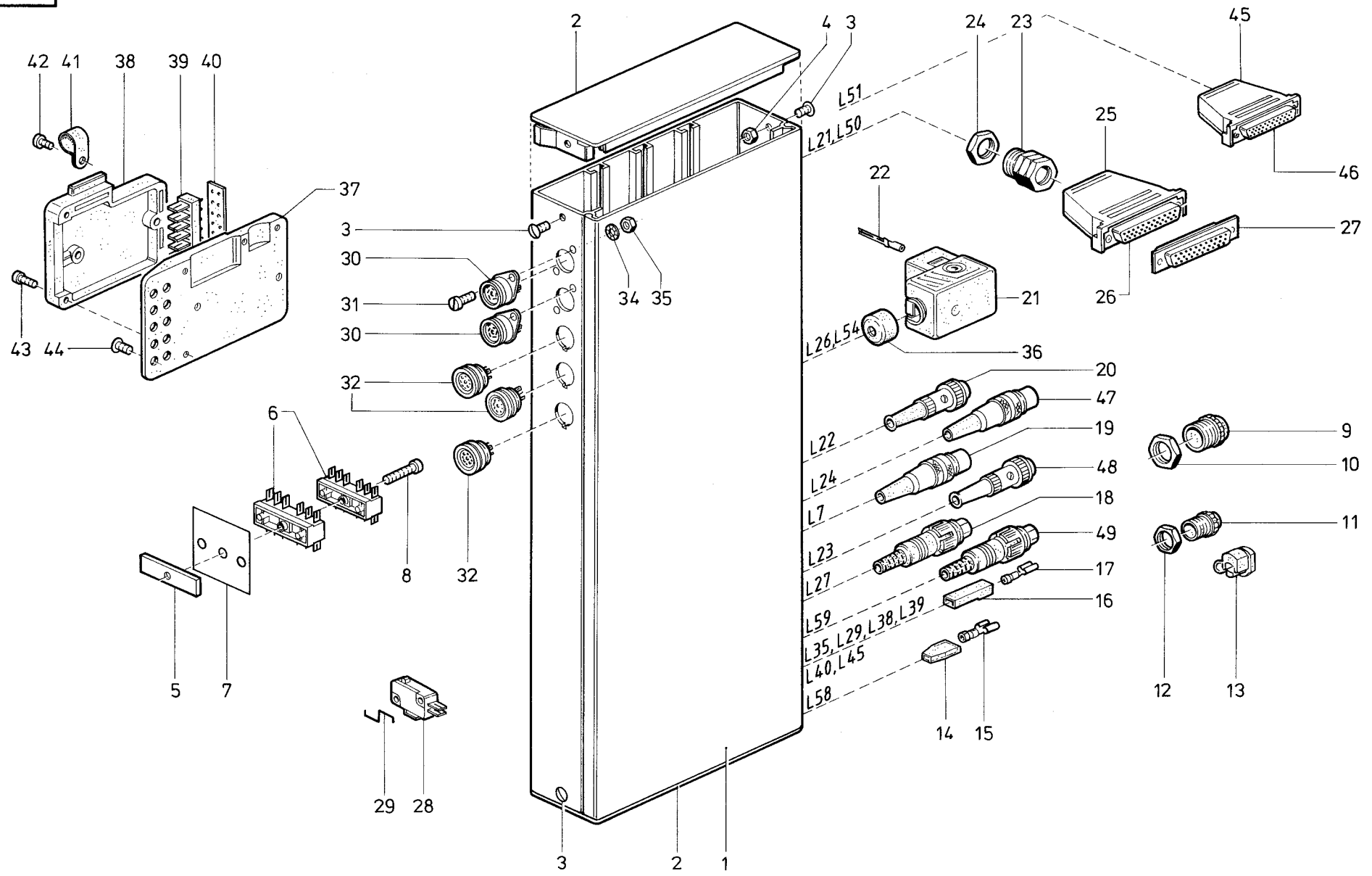
| Pos.<br>Det. | Teile Nr.<br>Part No. | Benennung | Denomination |
|--------------|-----------------------|-----------|--------------|
|--------------|-----------------------|-----------|--------------|



| Pos. Det. | Teile Nr. Part No. | Benennung   | Denomination  |
|-----------|--------------------|---|---|
|           |                    | <b>Pneumatikteile</b>   | <b>Pneumatic Parts</b>  |
| 1         | 79751058           | Leiste  | Reglet  |
| 2         | 7441509            | Zyl.-Schraube   | Cyl. head screw   |
| 3         | Z 111807           | Gewindestift  | Threaded stud   |
| 4         | 72042a             | 6kt.-Schraube   | Hexagonal screw   |
| 5         | 797335             | Magnetventil  | Solenoid valve  |
| 6         | 797331             | Magnetventil  | Solenoid valve  |
| 7         | 797340             | Magnetventil  | Solenoid valve  |
| 8         | 7443572            | Steckverbindung   | Plug connection   |
| 9         | 7973017            | Trennstopfen  | Divider plug  |
| 10        | 7972016            | Schlauchtülle   | Hose nozzle   |
| 11        | Z 11649            | Schalldämpfer   | Silencer  |
| 12        | 7972333            | Ringstück   | Ring piece  |
| 13        | Z 120712           | Hohlschraube  | Hollow screw  |
| 14        | 797317             | Magnetventil  | Solenoid valve  |
| 15        | 7972015            | Schl.-Verschr.  | Hose coupling screw   |
| 16        | 7973193            | Schalldämpfer   | Silencer  |
| 17        | 79750841           | Wartungseinheit kpl.<br>(best. aus Pos. 18 bis<br>23, 25, 31, 34 bis<br>38, 47) | Conditioning unit cpl.<br>(cons. of pos. 18 up to<br>23, 25, 31, 34, up to<br>38, 47) |
| 18        | 7441793a           | Schl.-Kupplung  | Hose coupling   |
| 19        | 7441796            | Tülle   | Socket  |
| 20        | 797926             | Manometer   | Manometer   |
| 21        | 797925             | Koppelpaket   | Coupler set   |
| 22        | 797922             | Wasserbehälter  | Water box   |
| 23        | 797923             | Ölbehälter  | Oil box   |
| 24        | 798124903          | Winkel  | Angle   |
| 25        | 797891             | Öler  | Oiler   |
| 26        | 7973031            | Druckleitung kpl.<br>(best. aus Pos. 27<br>bis 30)                              | Pressure pipe cpl.<br>(cons. of pos. 27 up<br>to 30)                                  |
| 27        | 7441792a           | Schlauch  | Hose  |
| 28        | 7426195            | Schlauchklemme  | Hose clip   |
| 29        | 7441793a           | Kupplungsdose   | Coupling socket   |
| 30        | 7441793b           | Kuppl.-Stecker  | Coupler plug  |
| 31        | 7462024            | Winkel  | Angle   |
| 32        | 7425098            | Zyl.-Schraube   | Cyl. head screw   |
| 33        | 7443403            | Winkelstück   | Supporting angle piece  |
| 34        | 72043              | Scheibe   | Washer  |
| 35        | 7449491            | Verteiler   | Distributor   |
| 36        | 7441816            | Schl.-Verschr.  | Hose coupling screw   |
| 37        | 74423566           | Schl.-Verschr.  | Hose coupling screw   |
| 38        | 7441922            | Doppelnippel  | Double nipple   |

| Pos. Det. | Teile Nr. Part No. | Benennung   | Denomination  |
|-----------|--------------------|---|---|
| 39        | 7443566            | Schl.-Verschr.  | Hose coupling screw   |
| 40        | 7442528            | Muffe   | Socket  |
| 41        | 7449802            | Kupplungsdose   | Coupling socket   |
| 43        | 7449801            | Kupplungsdose   | Coupling socket   |
| 44        | 7422238            | Schl.-Verschr.  | Hose coupling screw   |
| 45        | 79722201           | Y-Verbindung  | Y-Connection  |
| 46        | 7972627            | T-Verbindung  | T-Connection  |
| 47        | 7441974            | Schl.-Verschr.  | Hose coupling screw   |
| 48        | 024275             | Scheibe   | Washer  |
| 49        | P 12159            | Zyl.-Schraube   | Cyl. head screw   |
| 50        | 797322             | Magnetventil, ohne<br>Montageplatte<br>(nur für Ersatz) | Solenoid valve, with-<br>out mounting plate<br>(for replacement only) |
| 51        | 55614291           | Ventil  | Valve   |
| 52        | 797411             | Drosselventil   | Throttle valve  |
| 53        | 7461033            | Zyl.-Schraube   | Cyl. head screw   |
| 54        | 246369             | Zyl.-Schraube   | Cyl. head screw   |
| 55        | 7973063            | Spiralschlauch  | Special hose  |
| 56        | 7449516            | Blaspistole   | Blowin pipe   |

| Pos. Det. | Teile Nr. Part No. | Benennung | Denomination |
|-----------|--------------------|-----------|--------------|
|-----------|--------------------|-----------|--------------|

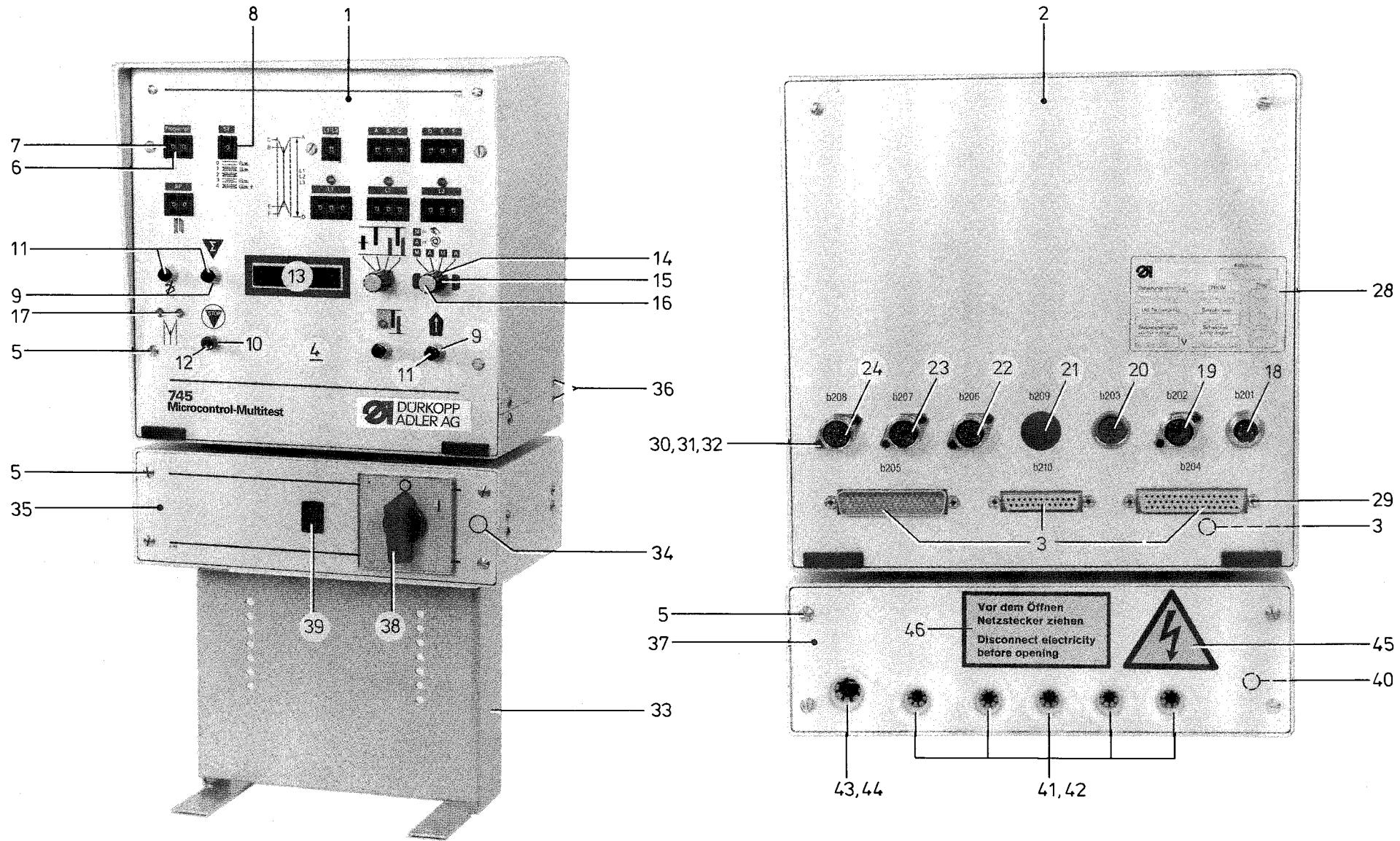


| Pos. Det. | Teile Nr. Part No. | Benennung          | Denomination           |
|-----------|--------------------|--------------------|------------------------|
|           |                    | <b>Verteiler</b>   | <b>Distributor</b>     |
| 1         | 798202603          | Installationskanal | Installation conduit   |
| 2         | 798202804          | Endstück           | End piece              |
| 3         | 10019130           | Linsenschraube     | Fillister head screw   |
| 4         | 202704             | 6kt.-Mutter        | Hexagonal nut          |
| 5         | 74240824           | Gewindeschiene     | Threaded rail          |
| 6         | 7465018            | Steckleiste        | Multipole connector    |
| 7         | 7465020            | Bez.-Schild        | Name plate             |
| 8         | MG 41/4571         | Zyl.-Schraube      | Cyl. head screw        |
| 9         | 7442088            | Würgenippel        | Twist nipple           |
| 10        | 7422699            | 6kt.-Mutter        | Hexagonal nut          |
| 11        | MG 41/8472         | Würgenippel        | Twist nipple           |
| 12        | MG41/8473          | 6kt.-Mutter        | Hexagonal nut          |
| 13        | 798221002          | Durchführung       | Cable duct             |
| 14        | 74424346           | Isoliertülle       | Isolating covering     |
| 15        | 742804             | Flachsteckhülse    | Panel connector sleeve |
| 16        | 798101021          | Schutzkappe        | Isolating covering     |
| 17        | Z 10010249         | Flachsteckhülse    | Panel connector sleeve |
| 18        | 74428914           | Kupplung           | Coupler                |
| 19        | 798481241          | Stecker            | Plug                   |
| 20        | 7444872            | Stecker            | Plug                   |
| 21        | 798480902          | Winkelkontakträger | Contact carrier        |
| 22        | 798480904          | Gabelkontakt       | Fork contact           |
| 23        | 7421535            | Kabelverschr.      | Cable coupling screw   |
| 24        | 7442207            | 6kt.-Mutter        | Hexagonal nut          |
| 25        | 798481658          | Steckgehäuse       | Connector shell        |
| 26        | 798481653          | Stiftleiste        | Plug                   |
| 27        | 798481652          | Buchsenleiste      | Socket                 |
| 28        | 739878             | Mikroschalter      | Micro switch           |
| 29        | 74221574           | Sicher.-Bügel      | Safety wire            |
| 30        | 7444744            | Flanschsteckdose   | Flange socket          |
| 31        | 74423855           | Zyl.-Schraube      | Cyl. head screw        |
| 32        | 798481242          | Flanschdose        | Flange socket          |
| 34        | 739298             | Zahnscheibe        | Tooth lock washer      |
| 35        | 2912814            | 6kt.-Mutter        | Hexagonal nut          |
| 36        | 798480903          | Staubkappe         | Dust cap               |
| 37        | 798140055          | Gehäuse            | Housing                |
| 38        | 798140056          | Deckel             | Covering               |
| 39        | 798240218          | Steckleiste        | Multipole connector    |
| 40        | 798440001          | Leiterplatte       | Printed board assembly |
| 41        | Z 113290           | Schelle            | Clip                   |
| 42        | 739297             | Zyl.-Schraube      | Cyl. head screw        |
| 43        | 1001360            | Zyl.-Schraube      | Cyl. head screw        |
| 44        | 219353             | Linsenschraube     | Fillister head screw   |

| Pos. Det. | Teile Nr. Part No. | Benennung    | Denomination    |
|-----------|--------------------|--------------|-----------------|
| 45        | 798481671          | Steckgehäuse | Connector shell |
| 46        | 798481672          | Stiftleiste  | Plug            |
| 47        | 798481241          | Stecker      | Plug            |
| 48        | 798481024          | Stecker      | Plug            |
| 49        | 74611551           | Kupplung     | Coupler         |

| Pos. Det. | Teile Nr. Part No. | Benennung | Denomination |
|-----------|--------------------|-----------|--------------|
|-----------|--------------------|-----------|--------------|





| Pos. Det. | Teile Nr. Part No. | Benennung                  | Denomination                 |
|-----------|--------------------|----------------------------|------------------------------|
|           |                    | <b>Steuergerät</b>         | <b>Control Instrument</b>    |
|           | 798740141          | Steuergerät kpl.           | Control instrument cpl.      |
| 1         | 798740143          | Frontplatte kpl.           | Front plate cpl.             |
| 2         | 798149007          | Rückwand                   | Back panel                   |
| 3         | 798149004          | Verdrahtung kpl.           | Installation cpl.            |
| 4         | 798448012          | Frontplatte                | Front plate                  |
| 5         | 798122596          | Linsenschraube             | Fillister head screw         |
| 6         | 798422411          | Codierschalter             | Code switch                  |
| 7         | 798422412          | Endkappe, links            | Cover cap, left hand         |
| 8         | 798422413          | Endkappe, rechts           | Cover cap, right hand        |
| 9         | Z 10011259         | Überwurfmutter             | Compression nut              |
| 10        | Z 10011226         | Überwurfmutter             | Compression nut              |
| 11        | Z 10011260         | Kappe, schwarz             | Key top, black               |
| 12        | 798420066          | Kappe, rot                 | Key top, red                 |
| 13        | 798163604          | Sichtscheibe               | Sight glass                  |
| 14        | 7444574            | Pfeilscheibe               | Arrow disc                   |
| 15        | 7444571            | Drehknopf                  | Control knob                 |
| 16        | 7444572            | Abschlußdeckel             | Sealing cover                |
| 17        | 798163004          | Leuchtdiode                | LED yellow                   |
| 18        | 798481229          | Flanschstecker             | Flange plug                  |
| 19        | 7422656            | Flanschdose                | Flange socket                |
| 20        | 798481242          | Flanschdose                | Flange socket                |
| 21        | 798220507          | Abdeckkappe                | Covering cap                 |
| 22        | 798481025          | Flanschdose                | Flange socket                |
| 23        | 7444744            | Flanschdose                | Flange socket                |
| 24        | 798481022          | Flanschdose                | Flange socket                |
| 28        | 798446167          | Typenschild                | Type plate                   |
| 29        | 798481659          | Verriegelung               | Locking device               |
| 30        | 55860              | Zyl.-Schraube              | Cyl. head screw              |
| 31        | 739298             | Zahnscheibe                | Tooth lock washer            |
| 32        | 2912814            | 6kt.-Mutter                | Hexagonal nut                |
| 33        | 798124912          | Halter                     | Holder                       |
| 34        | 798700266          | Hauptschalter kpl.         | Main switch cpl.             |
| 35        | 798149015          | Frontplatte                | Front plate                  |
| 36        | 798122564          | Linsenschraube             | Fillister head screw         |
| 37        | 798149016          | Rückwand                   | Back panel                   |
| 38        | 798426049          | Hauptschalter              | Main switch                  |
| 39        | 798283001          | Leuchte                    | Lamp                         |
| 40        | 798241018          | Klemmleiste                | Clamping reglet              |
| 41        | 798220082          | Kabelverschraubung         | Pressure screw               |
| 42        | 798220622          | 6kt.-Mutter,<br>zu Pos. 41 | Hexagonal nut,<br>to pos. 41 |
| 43        | 798497             | Kabelverschraubung         | Pressure screw               |

| Pos. Det. | Teile Nr. Part No. | Benennung                  | Denomination                 |
|-----------|--------------------|----------------------------|------------------------------|
| 44        | 798498             | 6kt.-Mutter,<br>zu Pos. 43 | Hexagonal nut,<br>to pos. 43 |
| 45        | 74450299           | Abziehbild                 | Transfer picture             |
| 46        | 74450300           | Abziehbild                 | Transfer picture             |

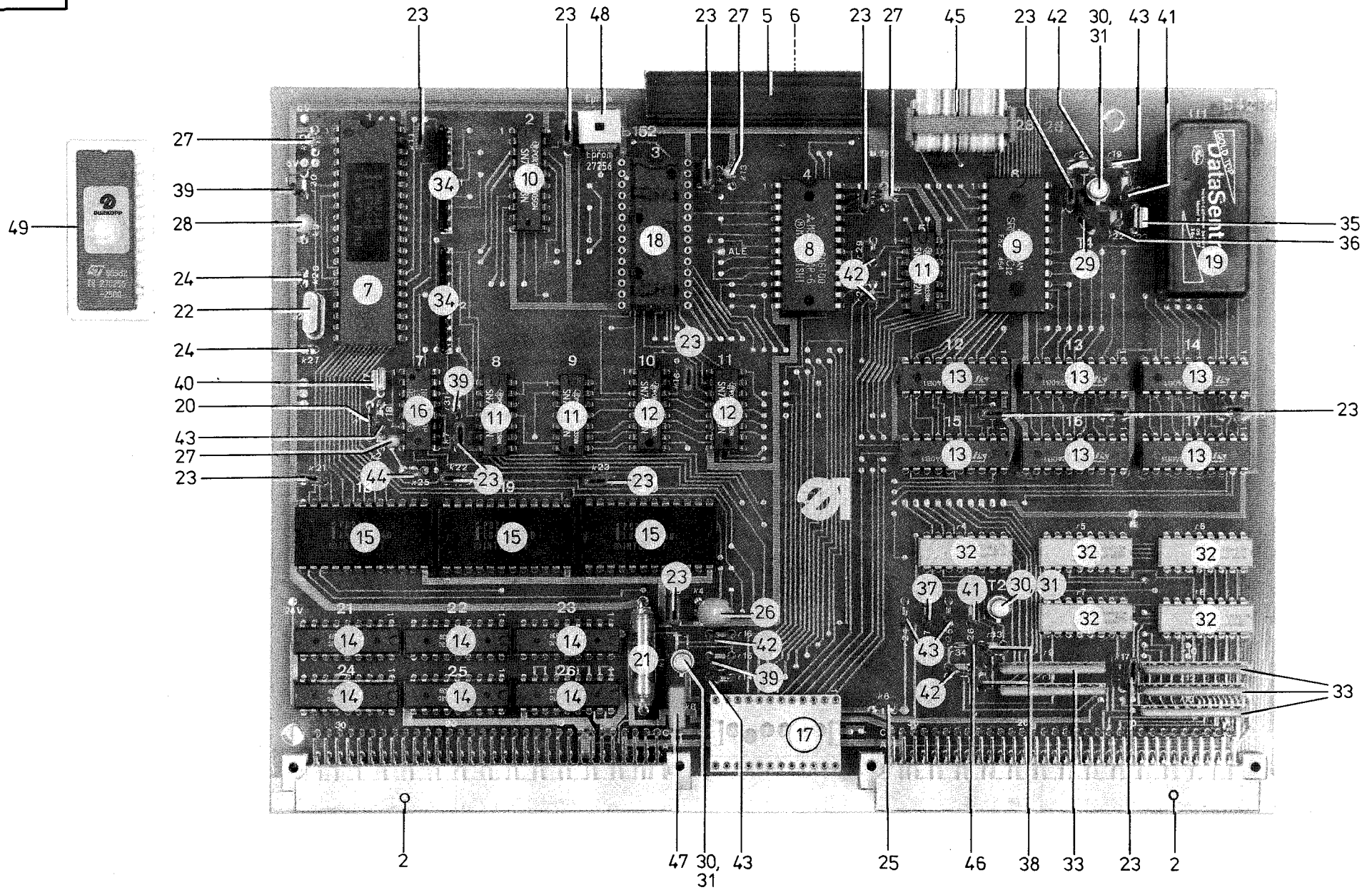
| Pos. Det. | Teile Nr. Part No. | Benennung | Denomination |
|-----------|--------------------|-----------|--------------|
|-----------|--------------------|-----------|--------------|



| Pos. Det. | Teile Nr. Part No. | Benennung                  | Denomination                   |
|-----------|--------------------|----------------------------|--------------------------------|
|           |                    | <b>Steuergerät</b>         | <b>Control Instrument</b>      |
| 1         | 798180171          | Leiterplatte kpl.          | Printed circuit cpl.           |
| 2         | 798422414          | Steckerleiste              | Multipole connector            |
| 3         | 798163603          | Anzeige, 8stellig          | Display                        |
| 4         | 798167504          | Sockelstreifen             | Base strip, for display        |
| 5         | 798160207          | Diode BAW 76               | Diode BAW 76                   |
| 6         | Z 10011255         | Tastschalter               | Push button switch             |
| 7         | 74423952           | Stufenschalter             | Multipole contact switch       |
| 8         | 798167115          | IC-Buffer 74 HC 244        | IC-Buffer 74 HC 244            |
| 9         | 798167114          | IC-Buffer 74 HC 240        | IC-Buffer 74 HC 240            |
| 10        | 798167111          | IC-Latch 74 HC 373         | IC-Latch 74 HC 373             |
| 11        | 798166510          | IC-8 x Treiber L 603       | IC-8 x Darlington-Array L 603  |
| 12        | 798167113          | IC-Dec 74 HC 138           | IC-Dec 74 HC 138               |
| 13        | 798522199          | Widerst.-Array 270 R       | Resistor array 270 R           |
| 14        | 798167116          | IC-NOR 74 HC 02            | Quad 2 input NOR Gate 74 HC 02 |
| 15        | 798422416          | Codierschalter (o. Abb.)   | Code switch (back side)        |
| 16        | 74461153           | Kondensator 100 mF         | Capacitor 100 mF               |
| 17        | 7462623            | Kondensator 1 $\mu$ F/35 V | Capacitor 1 $\mu$ F/35 V       |
| 18        | Z 10010435         | Kondensator 35 $\mu$ F     | Capacitor 35 $\mu$ F           |
| 19        | 798268024          | Induktivität               | Inductance                     |
| 20        | 798523510          | Widerst.-Array 100 K       | Resistor array 100 K           |
| 21        | 798357502          | Flachleitung               | Flat cable                     |
| 22        | 798483208          | Verriegelungsbügel         | Locking device                 |
| 23        | 798523010          | Widerst.-Array 10 K        | Resistor array 10 K            |
| 24        | 798483207          | DIL-Fassung                | DIL-base                       |
| 25        | 798483201          | DIL-Fassung                | DIL-base                       |

| Pos. Det. | Teile Nr. Part No. | Benennung | Denomination |
|-----------|--------------------|-----------|--------------|
|-----------|--------------------|-----------|--------------|

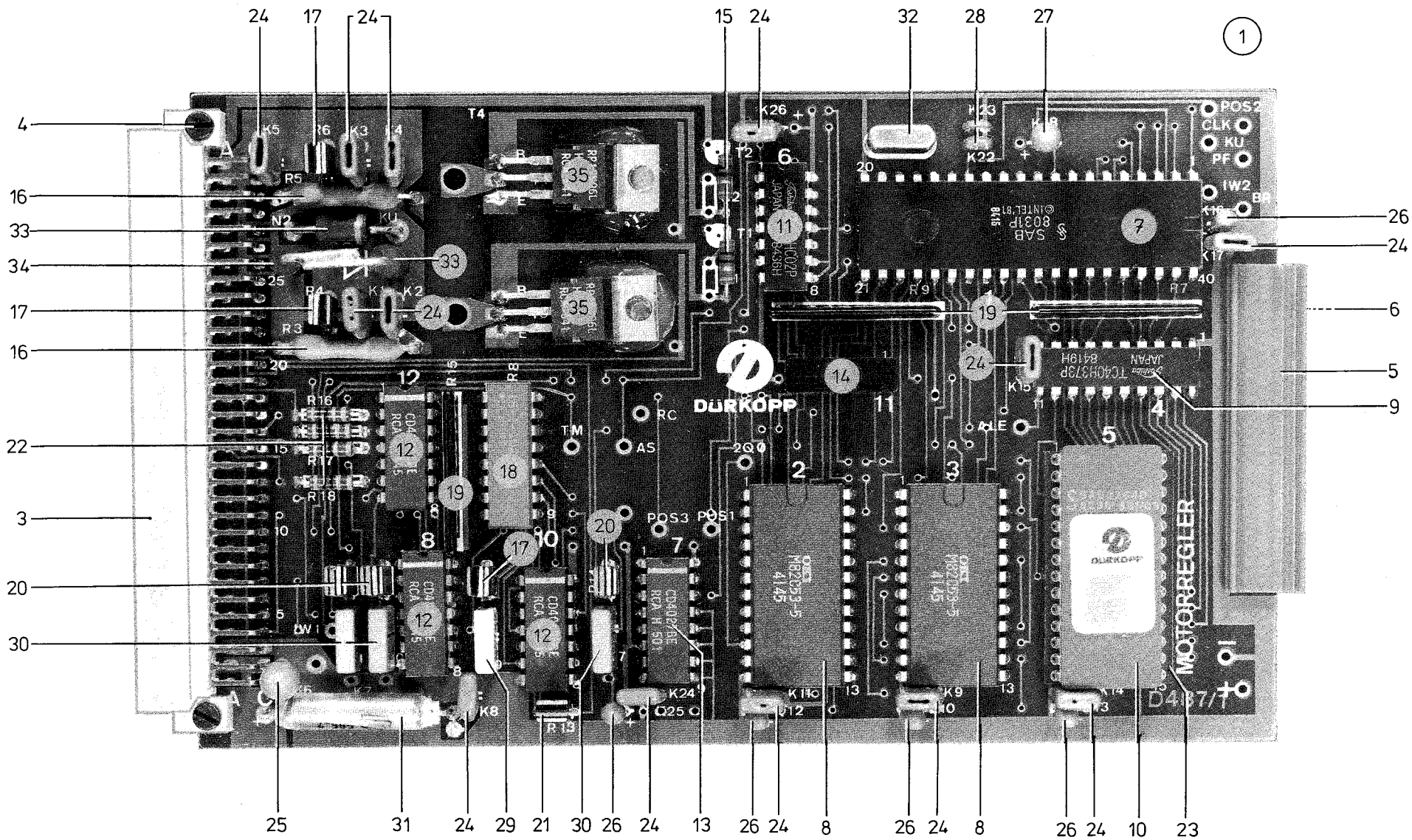
| Pos. Det. | Teile Nr. Part No. | Benennung | Denomination |
|-----------|--------------------|-----------|--------------|
|-----------|--------------------|-----------|--------------|



| Pos. Det. | Teile Nr. Part No. | Benennung              | Denomination         |
|-----------|--------------------|------------------------|----------------------|
| 1         | 798180111          | Leiterplatte kpl.      | Printed circuit      |
| 2         | 798483112          | Steckleiste            | Multipole connector  |
| 5         | 74461117           | Griffleiste            | Grip ledge           |
| 6         | 798446172          | Bez. Streifen          | Marking strip        |
| 7         | 798167007          | IC-8031 uP             | IC-8031 uP           |
| 8         | 798167128          | IC-82 C 53/54 Timer    | IC-82 C 53/54 Timer  |
| 9         | 798167110          | IC-6116 RAM            | IC-6116 RAM          |
| 10        | 798167111          | IC-74 HC 373 Latch     | IC-74 HC 373 Latch   |
| 11        | 798167112          | IC-74 HC 32-OR         | IC-74 HC 32-OR       |
| 12        | 798167113          | IC-74 HC 138-Dec.      | IC-74 HC 138-Dec.    |
| 13        | 798167114          | IC-74 HC 240-Buf.      | IC-74 HC 240-Buf.    |
| 14        | 798166510          | IC-L 603 Darl.-Arr.    | IC-L 603 Darl.-Arr.  |
| 15        | 798167004          | IC-8243 I/O Port       | IC-8243 I/O Port     |
| 16        | 798167104          | IC-4049 Hex.-Inv.      | IC-4049 Hex.-Inv.    |
| 17        | 798483207          | DIL-Sockel             | DIL-base             |
| 18        | 798167505          | DIL-Sockel             | DIL-base             |
| 19        | 7412600            | Akkumulator            | Accumulator          |
| 20        | 798160207          | Diode BAW 76           | Diode BAW 76         |
| 21        | 798268024          | Induktivität           | Inductance           |
| 22        | 798167951          | Quarz                  | Crystal              |
| 23        | 74461153           | Kondensator 100 nF     | Capacitor 100 nF     |
| 24        | 798262071          | Kondensator 22 pF      | Capacitor 22 pF      |
| 25        | 798262597          | Kondensator 220 nF     | Capacitor 220 nF     |
| 26        | 798261047          | Kondensator 47 uF/35 V | Capacitor 47 uF/35 V |
| 27        | 7462623            | Kondensator 1 uF/35 V  | Capacitor 1 uF/35 V  |
| 28        | 74461147           | Kondensator 10 uF/35 V | Capacitor 10 uF/35 V |
| 29        | 74412609           | Transistor BC 177 A    | Transistor BC 177 A  |
| 30        | 74412497           | Transistor BCY 59      | Transistor BCY 59    |
| 31        | 74413136           | Transistorhalter       | Transistor holder    |
| 32        | 798523009          | Widerst.-Array 10 k    | Resistor array 10 k  |
| 33        | 798522670          | Widerst.-Array 2k2     | Resistor array 2k2   |
| 34        | 798523250          | Widerst.-Array 33 k    | Resistor array 33 k  |
| 35        | 798522322          | Widerstand 47 OR       | Resistor 47 OR       |
| 36        | 798522441          | Widerstand 82 OR       | Resistor 82 OR       |
| 37        | 798522822          | Widerstand 4k7         | Resistor 4k7         |
| 38        | 798522942          | Widerstand 8k2         | Resistor 8k2         |
| 39        | Z 151313           | Widerstand 10 k        | Resistor 10 k        |
| 40        | 798523082          | Widerstand 15 k        | Resistor 15 k        |
| 41        | 798523162          | Widerstand 22 k        | Resistor 22 k        |
| 42        | 798523242          | Widerstand 33 k        | Resistor 33 k        |
| 43        | 798523502          | Widerstand 100 k       | Resistor 100 k       |
| 44        | 798262396          | Kondensator 10 nF      | Capacitor 10 nF      |
| 45        | 798483201          | DIL-Sockel             | DIL-base             |
| 46        | 798522502          | Widerstand 1 k         | Resistor 1 k         |
| 47        | 74423939           | Kondensator 0,33 µF    | Capacitor 0,33 µF    |

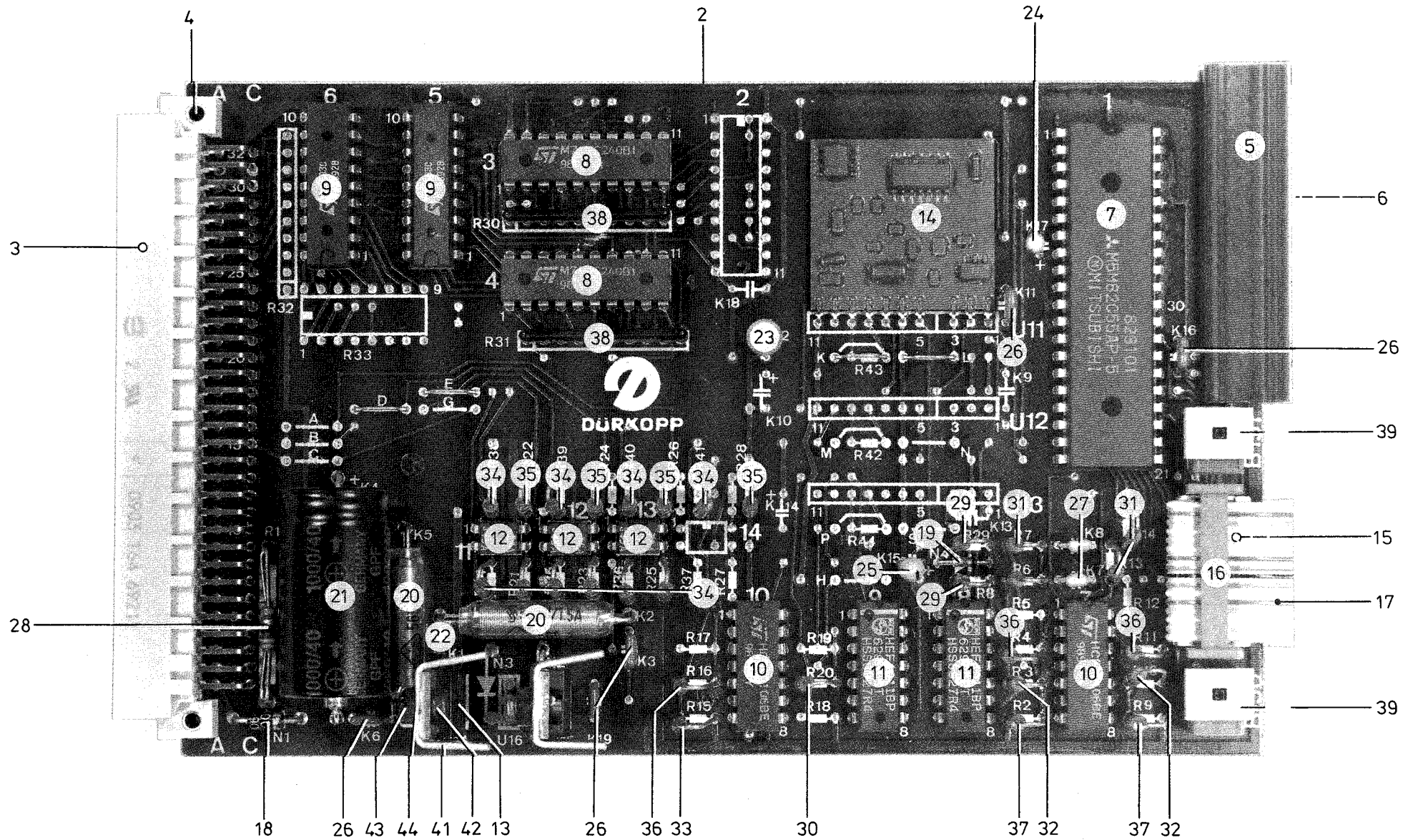
| Pos. Det. | Teile Nr. Part No. | Benennung       | Denomination |
|-----------|--------------------|-----------------|--------------|
| 48        | 798422601          | Schalter        | Switch       |
| 49        | 798740144 P        | Baustein progr. | Module unit  |

| Pos. Det. | Teile Nr. Part No. | Benennung | Denomination |
|-----------|--------------------|-----------|--------------|
|-----------|--------------------|-----------|--------------|





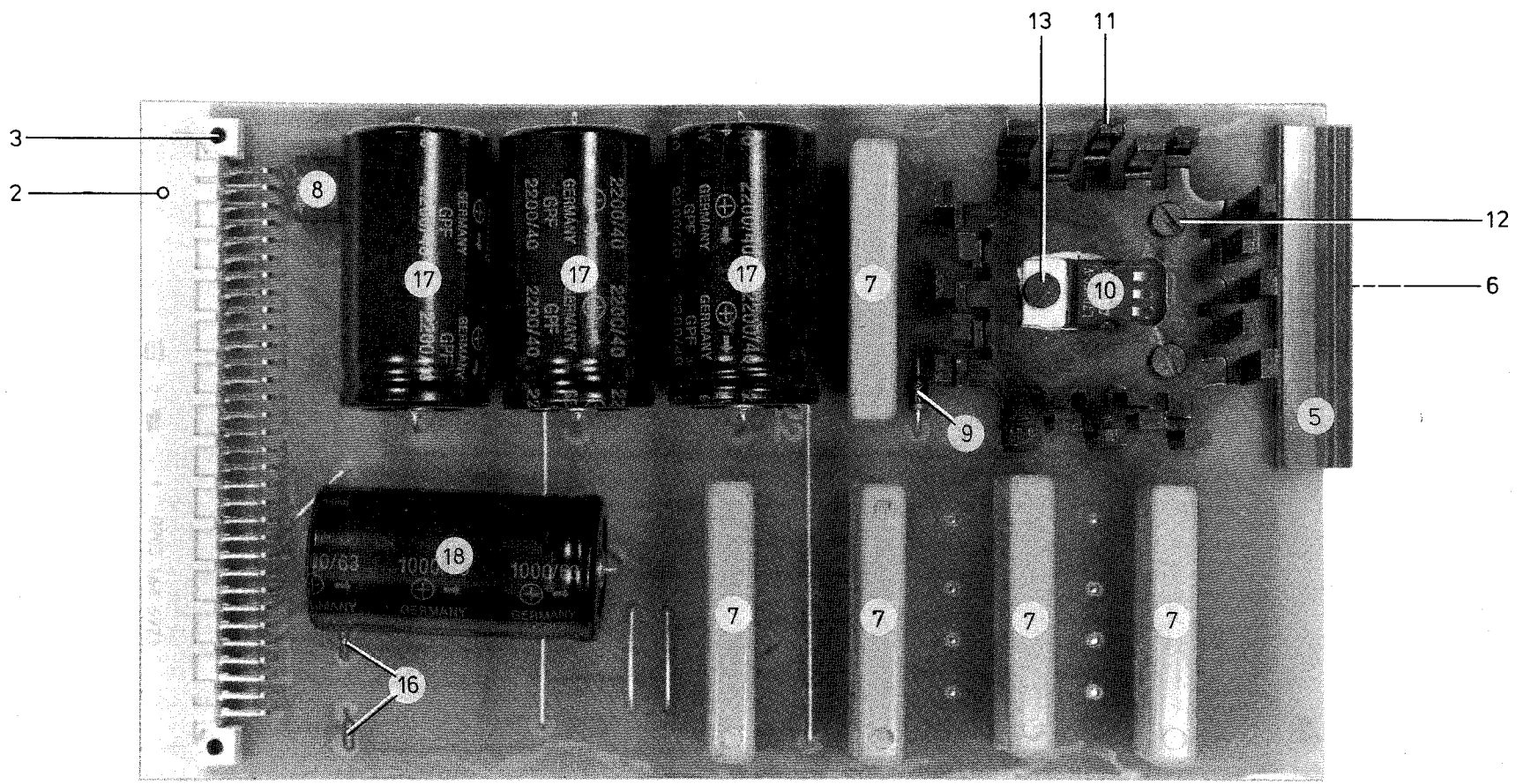




| Pos. Det. | Teile Nr. Part No. | Benennung                | Denomination           |
|-----------|--------------------|--------------------------|------------------------|
| 1         | 798180181          | Leiterplatte kpl.        | PCB complet            |
| 2         | 798440024          | Leiterplatte             | PCB                    |
| 3         | 798483112          | Messerleiste             | Multipole connector    |
| 4         | 798123181          | Rohrniet                 | Pipe rivet             |
| 5         | 74461117           | Griffleiste              | Grip ledge             |
| 6         | 798446177          | Bez.-Streifen            | Marking strip          |
| 7         | 798167127          | IC-82 C 55-3x 10         | IC-82 C 55-3x 10       |
| 8         | 798167114          | IC-74 HC 240-Buf.        | IC-74 HC 240-Buf.      |
| 9         | 798166510          | IC-L 603-8 x Treiber     | IC-L 603 Darl. Arr.    |
| 10        | 798167125          | IC-40106-SchmTr.         | IC-40106-SchmTr.       |
| 11        | 798167102          | IC-4011 Nand             | IC-4011 Nand           |
| 12        | 798166526          | IC-TCA 345 Schwell.      | IC-TCA 345 Conparat.   |
| 13        | 74450537           | Spannungsreg. 24 V       | Voltage regulator 24 V |
| 14        | 798166522          | Verstärker               | Amplifier              |
| 15        | 798483201          | Fassung DIL 16           | 16 Pin DIL-base        |
| 16        | 798483204          | Verr.-Bügel              | Binding clip           |
| 17        | 798357503          | Flachb.-Leitung          | Flat line              |
| 18        | 739311             | Diode 1 N4007            | Diode 1 N4007          |
| 19        | 798160207          | Diode BAW 76             | Diode BAW 76           |
| 20        | 798268024          | Induktivität             | Inductance             |
| 21        | Z 151296           | Kondensator 1000 $\mu$ F | Capacitor 1000 $\mu$ F |
| 22        | Z 10010435         | Kondensator 15 $\mu$ F   | Capacitor 15 $\mu$ F   |
| 23        | 798261044          | Kondensator 22 $\mu$ F   | Capacitor 22 $\mu$ F   |
| 24        | 7462623            | Kondensator 1 $\mu$ F    | Capacitor 1 $\mu$ F    |
| 25        | Z 10010436         | Kondensator 4,7 $\mu$ F  | Capacitor 4,7 $\mu$ F  |
| 26        | 74461153           | Kondensator 100 nF       | Capacitor 100 nF       |
| 27        | 798262396          | Kondensator 10 nF        | Capacitor 10 nF        |
| 28        | 798521472          | Widerstand 33 R          | Resistor 33 R          |
| 29        | 798523502          | Widerstand 100 k         | Resistor 100 k         |
| 30        | 798523322          | Widerstand 47 k          | Resistor 47 k          |
| 31        | 798523162          | Widerstand 22 k          | Resistor 22 k          |
| 32        | 798522662          | Widerstand 2 k2          | Resistor 2k2           |
| 33        | 798522582          | Widerstand 1 k5          | Resistor 1k5           |
| 34        | 798521742          | Widerstand 33 R          | Resistor 33 R          |
| 35        | 798521822          | Widerstand 47 R          | Resistor 47 R          |
| 36        | Z 151318           | Widerstand 10 k          | Resistor 10 k          |
| 37        | 798522502          | Widerstand 1 k           | Resistor 1 k           |
| 38        | 798523250          | Widerst.-Array 33k       | Resistorarray 33 k     |
| 39        | 798422601          | Schalter                 | Switch                 |
| 41        | 798165027          | Kühlkörper               | Heat sink              |
| 42        | 55615410           | Zyl.-Schraube            | Cyl. head screw        |
| 43        | 5511824            | 6kt.-Mutter              | Hexagonal nut          |
| 44        | 739298             | Zahnscheibe              | Tooth lock washer      |

| Pos. Det. | Teile Nr. Part No. | Benennung | Denomination |
|-----------|--------------------|-----------|--------------|
|-----------|--------------------|-----------|--------------|

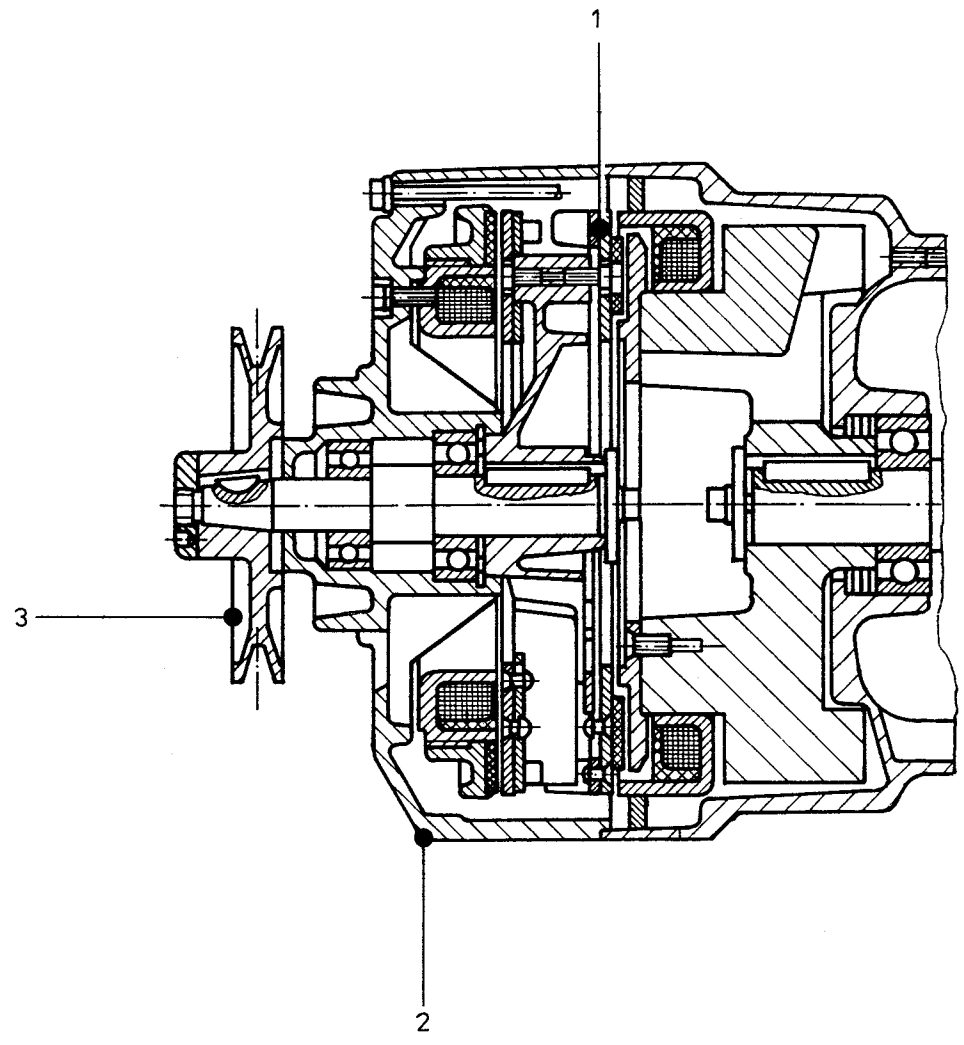
| Pos. Det. | Teile Nr. Part No. | Benennung | Denomination |
|-----------|--------------------|-----------|--------------|
|-----------|--------------------|-----------|--------------|



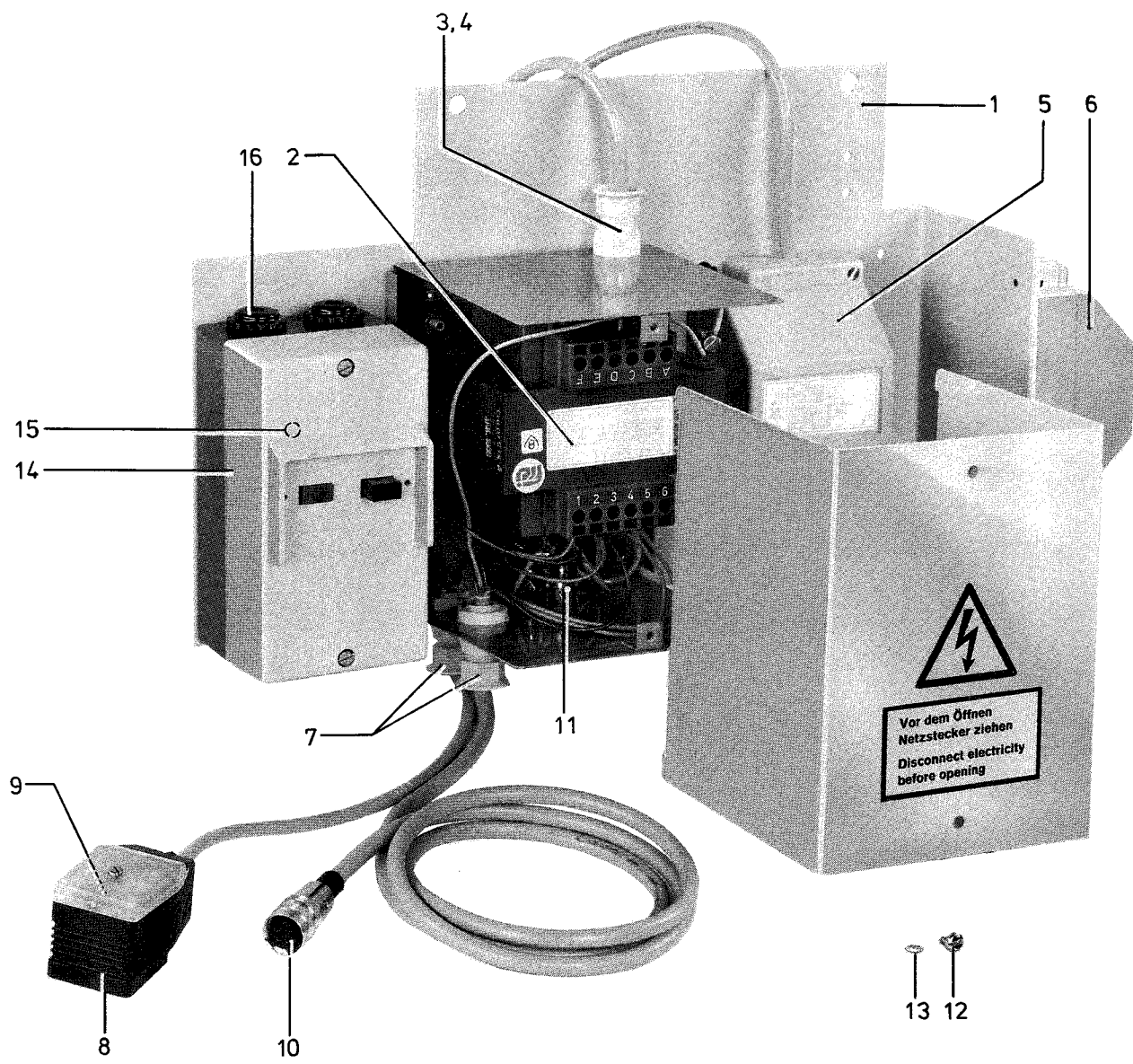
| Pos. Det. | Teile Nr. Part No. | Benennung            | Denomination          |
|-----------|--------------------|----------------------|-----------------------|
| 1         | 798180121          | Leiterplatte kpl.    | Printed circuit cpl.  |
| 2         | 798483112          | Steckleiste          | Multipole connector   |
| 3         | 798123181          | Rohrniet             | Rivet                 |
| 5         | 74461117           | Griffleiste          | Grip ledge            |
| 6         | 798446171          | Bez.-Streifen        | Marking strip         |
| 7         | 5513338            | Brückengleichrichter | Bridgec. rectifier    |
| 8         | 798160007          | Brückengleichrichter | Bridgec. rectifier    |
| 9         | 739311             | Diode 1 N4007        | Diode 1 N4007         |
| 10        | 74450538           | Spannungsregler 5 V  | Voltage regulator 5 V |
| 11        | 74450542           | Kühlkörper           | Heat sink             |
| 12        | 1001360            | Zyl.-Schraube        | Cyl. head screw       |
| 13        | 5691922            | Zyl.-Schraube        | Cyl. head screw       |
| 16        | 74461153           | Kondensator 100 nF   | Capacitor 100 nF      |
| 17        | 74424293           | Kondensator 2200 uF  | Capacitor 2200 uF     |
| 18        | 798260252          | Kondensator 1000 uF  | Capacitor 1000 uF     |

| Pos. Det. | Teile Nr. Part No. | Benennung | Denomination |
|-----------|--------------------|-----------|--------------|
|-----------|--------------------|-----------|--------------|

| Pos. Det. | Teile Nr. Part No. | Benennung | Denomination |
|-----------|--------------------|-----------|--------------|
|-----------|--------------------|-----------|--------------|

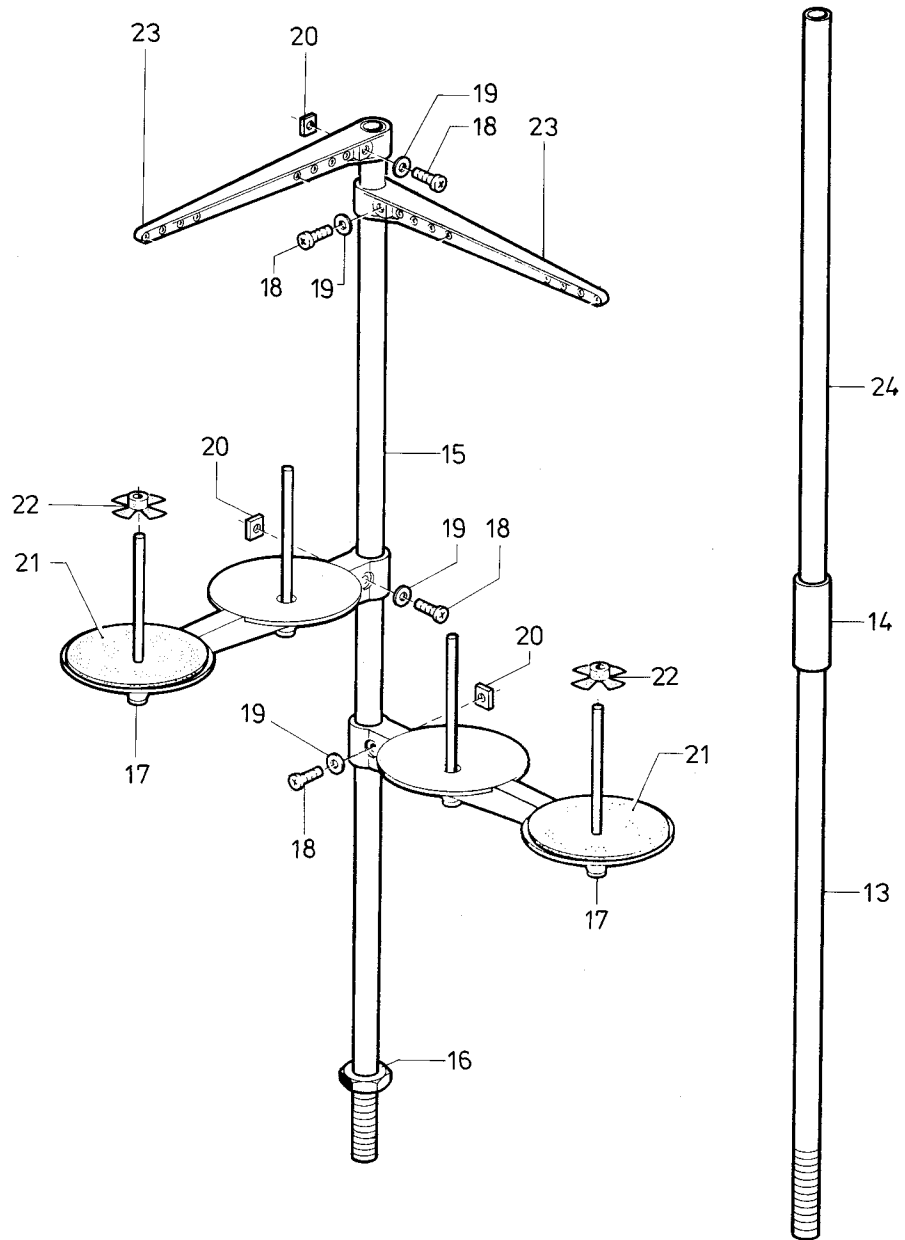
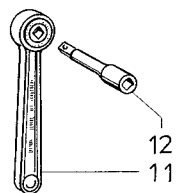
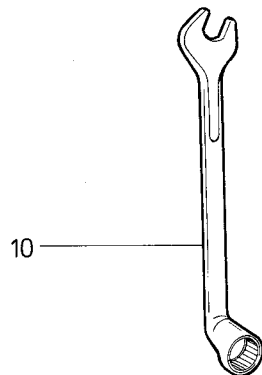
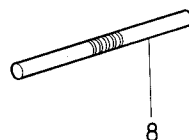
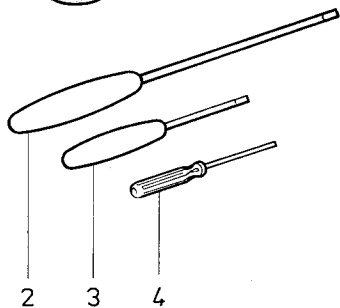
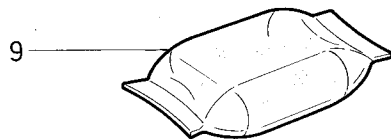
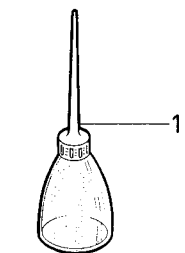




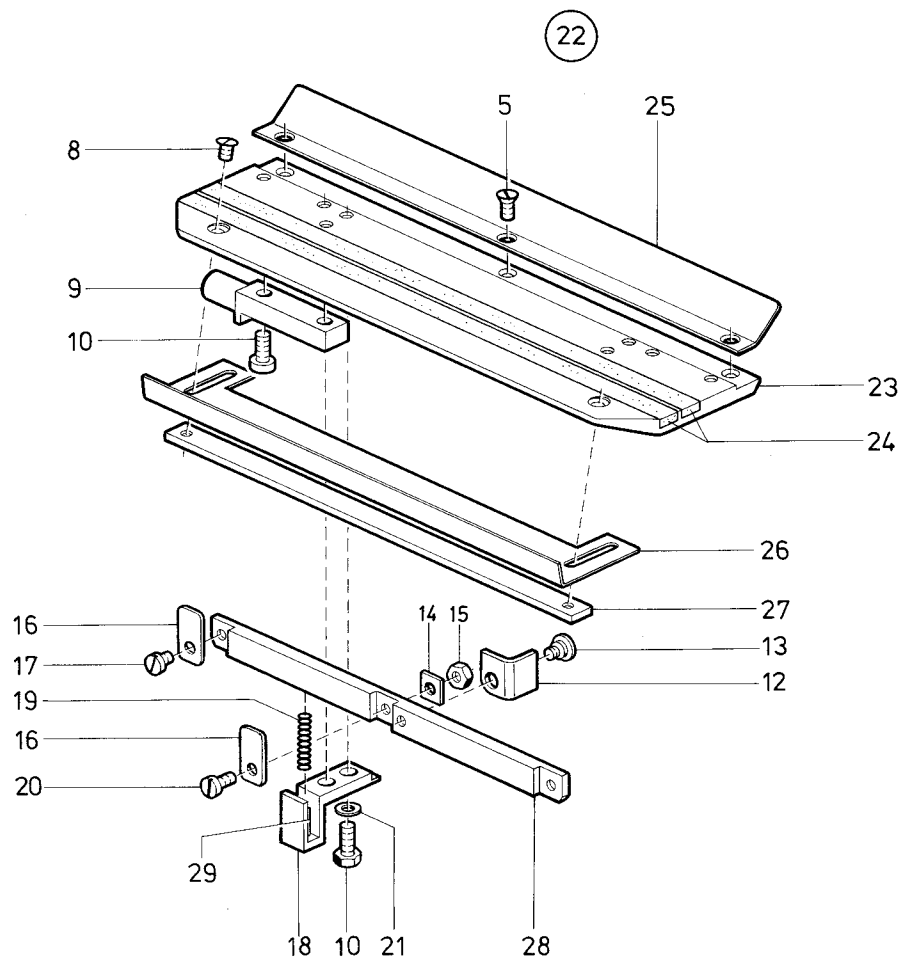
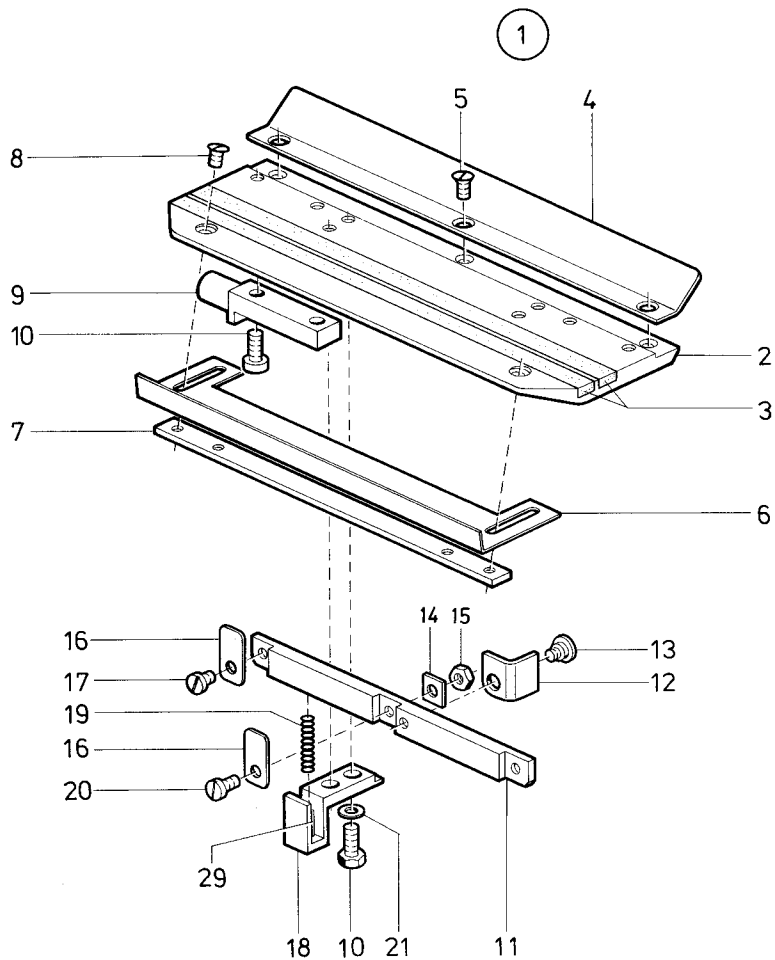




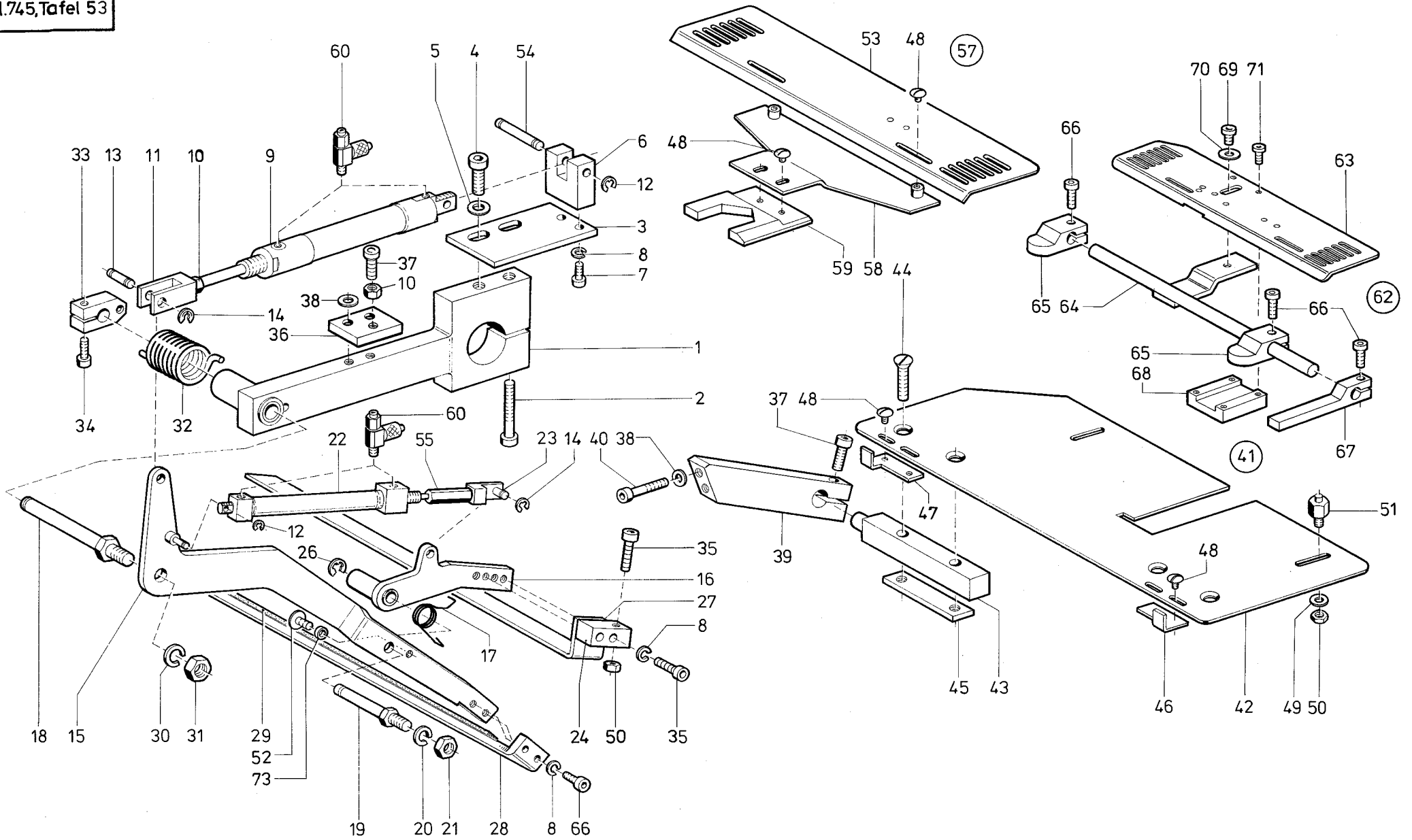










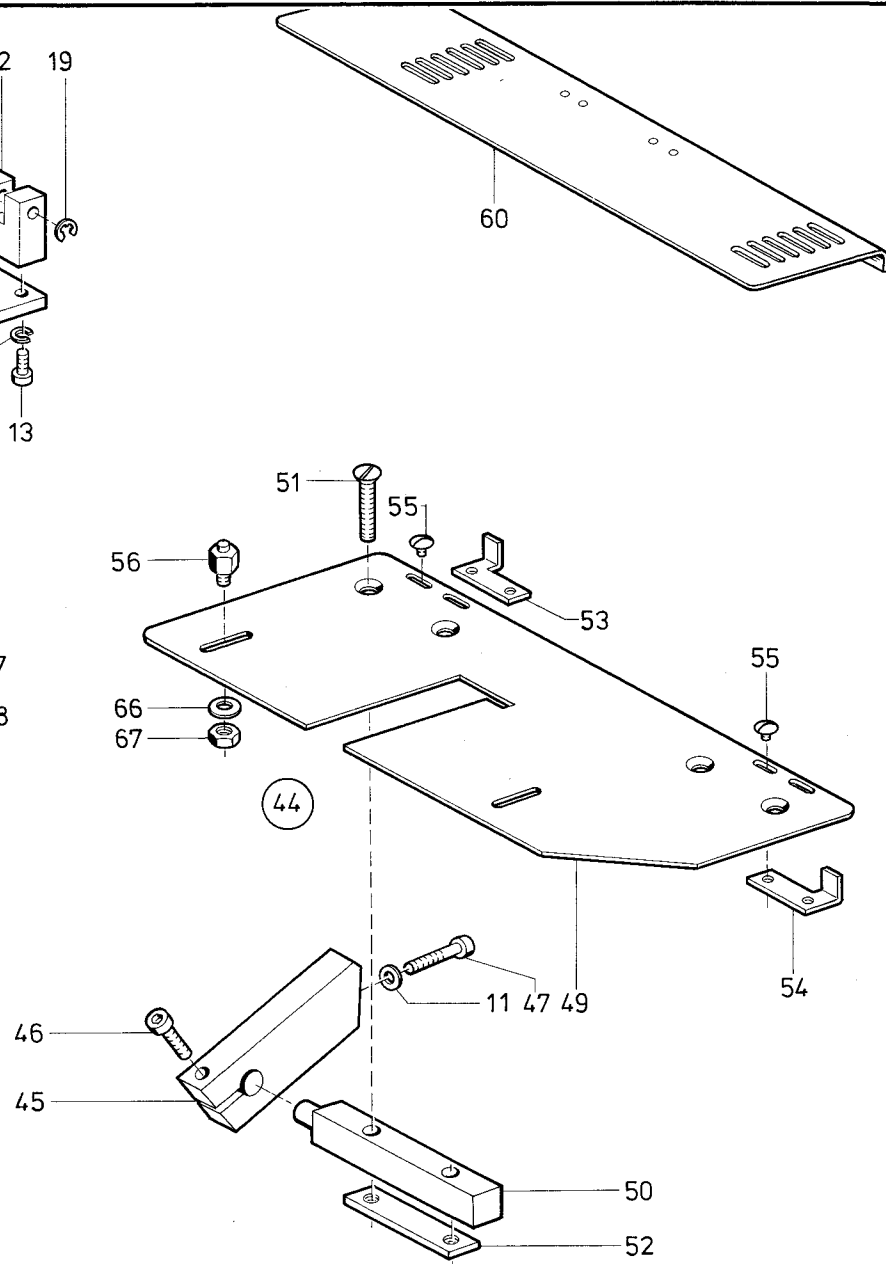
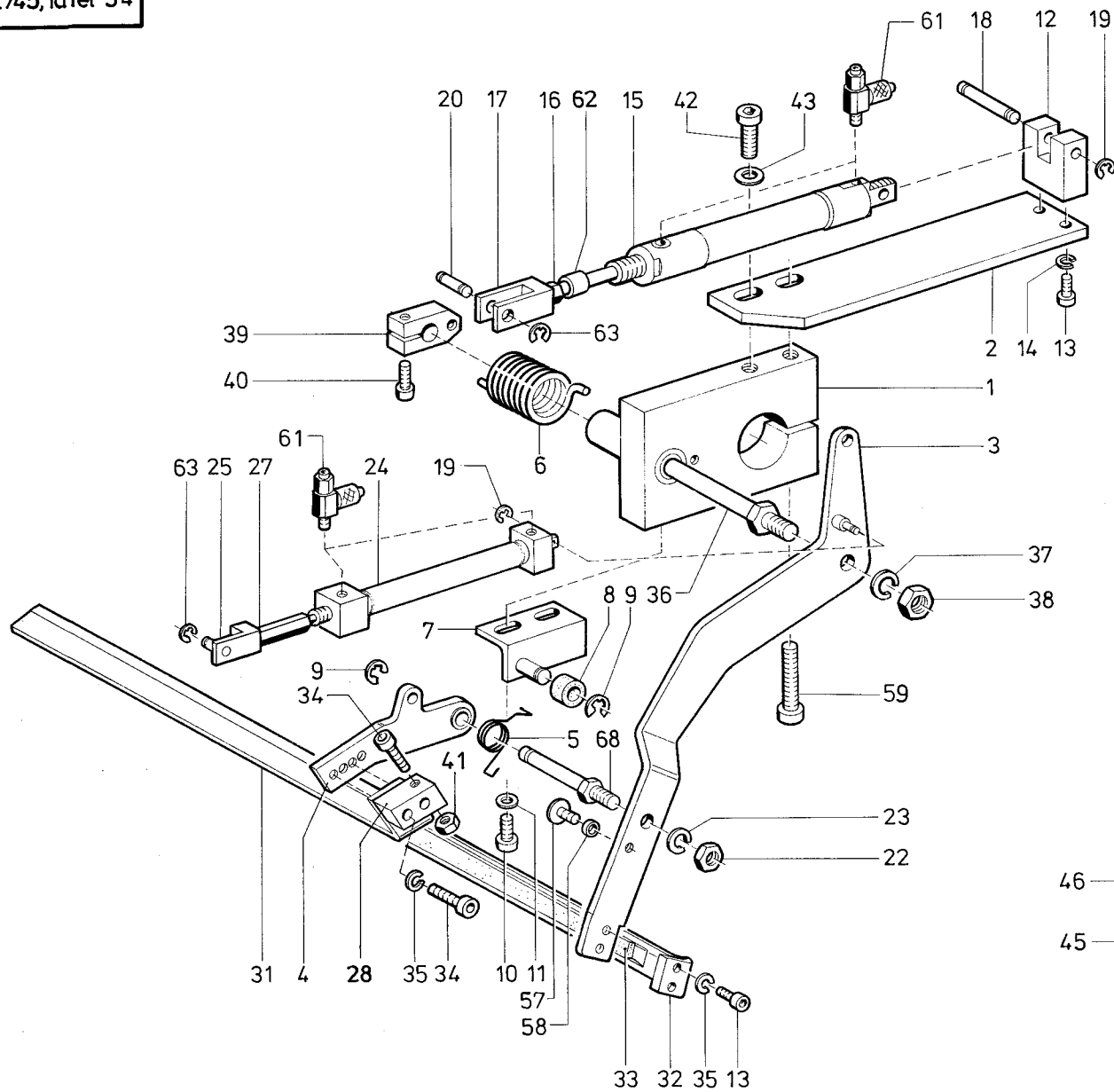


| Pos. Det. | Teile Nr. Part No. | Benennung                                      | Denomination                                    |
|-----------|--------------------|--|---|
|           | 7944001            | <b>Automatische Zuführeinrichtung, rechts*</b> | <b>Automatic Feeding Mechanism, right hand*</b> |
| 1         | 74680153           | Halter kpl. (mit Pos. 2)                       | Support cpl. (with pos. 2)                      |
| 2         | 7441694            | Zyl.-Schraube                                  | Cyl. head screw                                 |
| 3         | 74680162           | Platte   | Plate   |
| 4         | 556362             | Zyl.-Schraube                                  | Cyl. head screw                                 |
| 5         | 557263             | Scheibe  | Washer  |
| 6         | 74680166           | Lagerbock                                      | Pillow block                                    |
| 7         | 570912             | Zyl.-Schraube                                  | Cyl. head screw                                 |
| 8         | 5561075            | Federring                                      | Spring ring                                     |
| 9         | 74221996           | Zylinder                                       | Cylinder  |
| 10        | MG 8/7d            | 6kt.-Mutter                                    | Hexagonal nut                                   |
| 11        | 74680173           | Gabelkopf                                      | Fork head                                       |
| 12        | 255129             | Sicher.-Scheibe                                | Safety washer                                   |
| 13        | MG 43/2970         | Bolzen   | Bolt  |
| 14        | 570138             | Sicher.-Scheibe                                | Safety washer                                   |
| 15        | 7944032            | Hebel  | Lever   |
| 16        | 74680186           | Hebel  | Lever   |
| 17        | 7944038            | Drehfeder                                      | Torsion spring                                  |
| 18        | 74680206           | Bolzen   | Bolt  |
| 19        | 74680190           | Bolzen   | Bolt  |
| 20        | 7441131            | Federring                                      | Spring ring                                     |
| 21        | MG 43/408          | 6kt.-Mutter                                    | Hexagonal nut                                   |
| 22        | 7971532            | Zylinder                                       | Cylinder  |
| 23        | 7944045a           | Kloben   | Block   |
| 24        | 7944837            | Zwischenstück                                  | Distance piece                                  |
| 26        | 211100a            | Sicher.-Scheibe                                | Safety washer                                   |
| 27        | 74680201           | Klemmleiste                                    | Clamping reglet                                 |
| 28        | 74680202k          | Klemmleiste kpl. (mit Pos. 29)                 | Clamping reglet cpl. (with pos. 29)             |
| 29        | 00290229000        | Klebeband                                      | Adhesive tape                                   |
| 30        | 725520b            | Federring                                      | Spring ring                                     |
| 31        | 72042a             | 6kt.-Mutter                                    | Hexagonal nut                                   |
| 32        | 74680211           | Drehfeder                                      | Torsion spring                                  |
| 33        | 74680212           | Stellkloben                                    | Adjusting block                                 |
| 34        | 7441968            | Zyl.-Schraube                                  | Cyl. head screw                                 |
| 35        | 7461212            | Zyl.-Schraube                                  | Cyl. head screw                                 |
| 36        | 74680216           | Platte   | Plate   |
| 37        | 93370175           | Zyl.-Schraube                                  | Cyl. head screw                                 |
| 38        | 024275             | Scheibe  | Washer  |
| 39        | 74680222           | Klemmstück kpl. (mit Pos. 37)                  | Clamp cpl. (with pos. 37)                       |

| Pos. Det. | Teile Nr. Part No. | Benennung   | Denomination                                   |
|-----------|--------------------|---|--|
| 40        | 2386530            | Zyl.-Schraube                                     | Cyl. head screw                                |
| 41        | 74680231           | Auflage kpl. (best. aus Pos. 42 bis 51 und 62)    | Rest cpl. (cons. of pos. 42 up to 51 and 62)   |
| 42        | 74680232           | Auflage   | Rest   |
| 43        | 74680233           | Bolzen  | Bolt   |
| 44        | 570939a            | Senkschraube                                      | Countersunk screw                              |
| 45        | 74640100           | Gewindelasche                                     | Threaded shackle                               |
| 46        | 74680235           | Anschlag  | Stop   |
| 47        | 74680236           | Anschlag  | Stop   |
| 48        | 911339             | Linsenschraube                                    | Fillister head screw                           |
| 49        | 5691895            | Scheibe   | Washer   |
| 50        | 202704             | 6kt.-Mutter                                       | Hexagonal nut                                  |
| 51        | 74640074           | Distanzstück                                      | Distance piece                                 |
| 52        | 9336268            | Linsenschraube                                    | Fillister head screw                           |
| 53        | 74640338           | Halter  | Holder   |
| 54        | Z 11811            | Federstift  | Spring pin                                     |
| 55        | 7944047            | Hülse   | Sleeve   |
| 57        | 74680281           | Formanschlag kpl. (best. aus Pos. 48, 53, 58, 59) | Shape stop cpl. (cons. of pos. 48, 53, 58, 59) |
| 58        | 74680283           | Platte  | Plate  |
| 59        | 74680287           | Aufnahme  | Retainer                                       |
| 60        | 797412             | Drosselventil                                     | Throttle valve                                 |
| 62        | 7928311            | Formanschlag kpl. (best. aus Pos. 63 bis 72)      | Shape stop cpl. (cons. of pos. 63 up to 72)    |
| 63        | 74640338           | Halter  | Holder   |
| 64        | 7928321            | Stange  | Rod  |
| 65        | 7928326            | Kloben kpl. (mit Pos. 66)                         | Block cpl. (with pos. 66)                      |
| 66        | 570912             | Zyl.-Schraube                                     | Cyl. head screw                                |
| 67        | 7928328            | Anschlag kpl. (mit Pos. 66)                       | Stop cpl. (with pos. 66)                       |
| 68        | 7928334            | Führung   | Guidance                                       |
| 69        | 223723             | Zyl.-Schraube                                     | Cyl. head screw                                |
| 70        | 55890              | Scheibe   | Washer   |
| 71        | 216497             | Zyl.-Schraube                                     | Cyl. head screw                                |
| 73        | 2113058            | Ring  | Ring   |

\* Für 180 mm Nählänge \* For 180 mm Sewing length

| Pos. Det. | Teile Nr. Part No. | Benennung | Denomination |
|-----------|--------------------|-----------|--------------|
|-----------|--------------------|-----------|--------------|

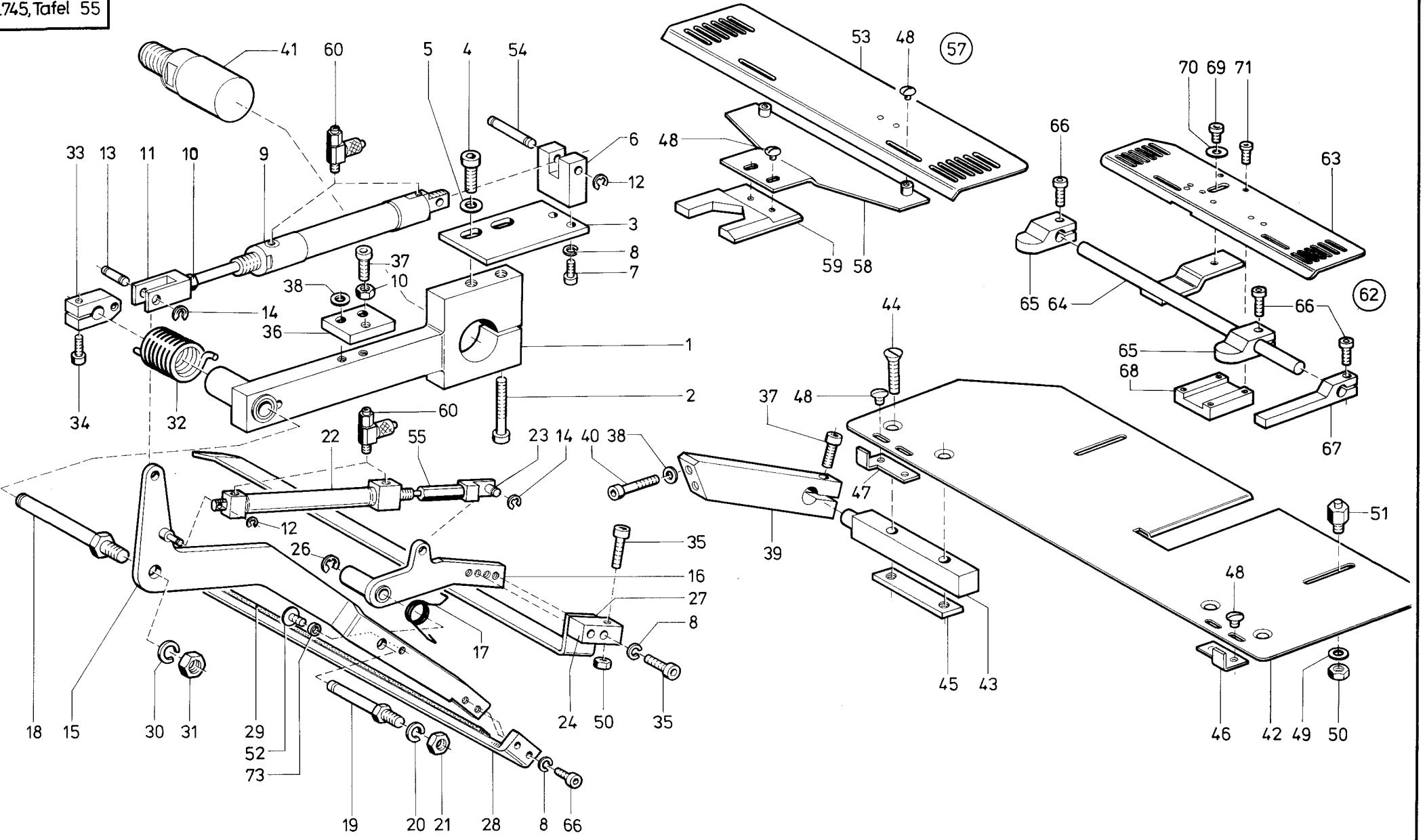


| Pos. Det. | Teile Nr. Part No. | Benennung                                     | Denomination                                   |
|-----------|--------------------|---|--|
|           | 7944501            | <b>Automatische Zuführeinrichtung, links*</b> | <b>Automatic Feeding Mechanism, left hand*</b> |
| 1         | 74680303           | Halter kpl. (mit Pos. 59)                     | Support cpl. (with pos. 59)                    |
| 2         | 74680310           | Platte  | Plate  |
| 3         | 7944512            | Hebel   | Lever  |
| 4         | 74680317           | Hebel   | Lever  |
| 5         | 7944520            | Drehfeder                                     | Torsion spring                                 |
| 6         | 74680321           | Drehfeder (links-gewickelt)                   | Torsion spring (left-winding)                  |
| 7         | 74680323           | Winkel  | Angle  |
| 8         | 74680326           | Rolle   | Roll   |
| 9         | 211100a            | Sicher.-Scheibe                               | Lock washer                                    |
| 10        | 7441509            | Zyl.-Schraube                                 | Cyl. head screw                                |
| 11        | 024275             | Scheibe                                       | Washer   |
| 12        | 74680166           | Lagerbock                                     | Pillow block                                   |
| 13        | 570912             | Zyl.-Schraube                                 | Cyl. head screw                                |
| 14        | 5561075            | Federring                                     | Spring ring                                    |
| 15        | 74221996           | Zylinder kpl.                                 | Cylinder cpl.                                  |
| 16        | MG 8/7d            | 6kt.-Mutter                                   | Hexagonal nut                                  |
| 17        | 74680173           | Gabelkopf                                     | Fork head                                      |
| 18        | Z 11811            | Federstift                                    | Spring pin                                     |
| 19        | 255129             | Sicher.-Scheibe                               | Safety washer                                  |
| 20        | MG 43/2970         | Bolzen  | Bolt   |
| 21        | 74680190           | Bolzen  | Bolt   |
| 22        | MG 43/408          | 6kt.-Mutter                                   | Hexagonal nut                                  |
| 23        | 7441131            | Federring                                     | Spring ring                                    |
| 24        | 7971532            | Zylinder                                      | Cylinder                                       |
| 25        | 7944045a           | Kloben  | Block  |
| 26        | 74680311           | Buchse  | Bush   |
| 27        | 7494047            | Hülse   | Sleeve   |
| 28        | 7944837            | Zwischenstück                                 | Distance piece                                 |
| 30        | 2522955            | Sicher.-Scheibe                               | Lock washer                                    |
| 31        | 74680316a          | Klemmleiste                                   | Clamping reglet                                |
| 32        | 74680315           | Klemmleiste kpl. (mit Pos. 33)                | Clamping reglet cpl. (with pos. 33)            |
| 33        | 00290229000        | Klebeband                                     | Adhesive tape                                  |
| 34        | 7461212            | Zyl.-Schraube                                 | Cyl. head screw                                |
| 35        | 5561075            | Federring                                     | Spring ring                                    |
| 36        | 74680206           | Bolzen  | Bolt   |
| 37        | 725520b            | Federring                                     | Spring ring                                    |
| 38        | 72042a             | 6kt.-Mutter                                   | Hexagonal nut                                  |
| 39        | 74680212           | Stellkloben                                   | Adjusting block                                |

| Pos. Det. | Teile Nr. Part No. | Benennung                               | Denomination                          |
|-----------|--------------------|---|---------------------------------------|
| 40        | 7441968            | Zyl.-Schraube                           | Cyl. head screw                       |
| 41        | 202704             | 6kt.-Mutter                             | Hexagonal nut                         |
| 42        | 556362             | Zyl.-Schraube                           | Cyl. head screw                       |
| 43        | 557263             | Scheibe                                 | Washer                                |
| 44        | 74680231           | Auflage kpl. (best. aus Pos. 49 bis 56) | Rest cpl. (cons. of pos. 49 up to 56) |
| 45        | 74680222           | Klemmstück kpl. (mit Pos. 46)           | Clamp cpl. (with pos. 46)             |
| 46        | 93370175           | Zyl.-Schraube                           | Cyl. head screw                       |
| 47        | 2386530            | Zyl.-Schraube                           | Cyl. head screw                       |
| 49        | 74680232           | Auflage                                 | Rest                                  |
| 50        | 74680233           | Bolzen                                  | Bolt                                  |
| 51        | 570939a            | Senkschraube                            | Countersunk screw                     |
| 52        | 74640100           | Gewindelasche                           | Threaded shackle                      |
| 53        | 74680235           | Anschlag                                | Stop                                  |
| 54        | 74680236           | Anschlag                                | Stop                                  |
| 55        | 911339             | Linsenschraube                          | Fillister head screw                  |
| 56        | 74640074           | Distanzstück                            | Distance piece                        |
| 57        | 9336268            | Linsenschraube                          | Fillister head screw                  |
| 58        | 2113058            | Ring                                    | Ring                                  |
| 59        | 7441694            | Zyl.-Schraube                           | Cyl. head screw                       |
| 60        | 7944522            | Anschlag, rechts                        | Stop, right hand                      |
| 61        | 797412             | Drosselventil                           | Throttle valve                        |
| 62        | 7927234a           | Buchse                                  | Bushing                               |
| 63        | 570138             | Sicher.-Scheibe                         | Lock washer                           |
| 66        | 5691895            | Scheibe                                 | Washer                                |
| 67        | 202704             | 6kt.-Mutter                             | Hexagonal nut                         |
| 68        | 74680190           | Bolzen                                  | Bolt                                  |
|           |                    | <b>* Für 180 mm Nählänge</b>            | <b>* For 180 mm Sewing length</b>     |

| Pos. Det. | Teile Nr. Part No. | Benennung | Denomination |
|-----------|--------------------|-----------|--------------|
|-----------|--------------------|-----------|--------------|

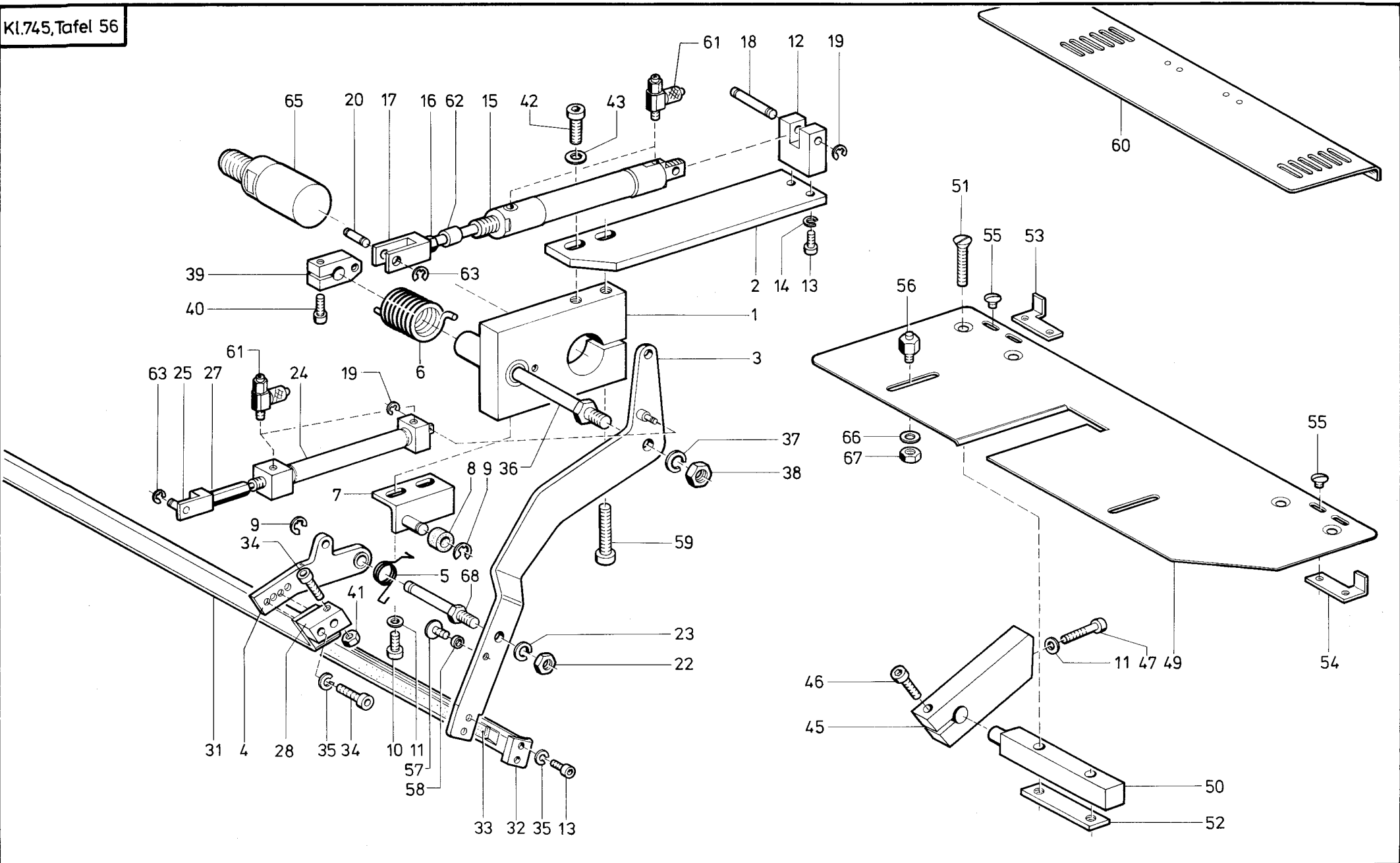




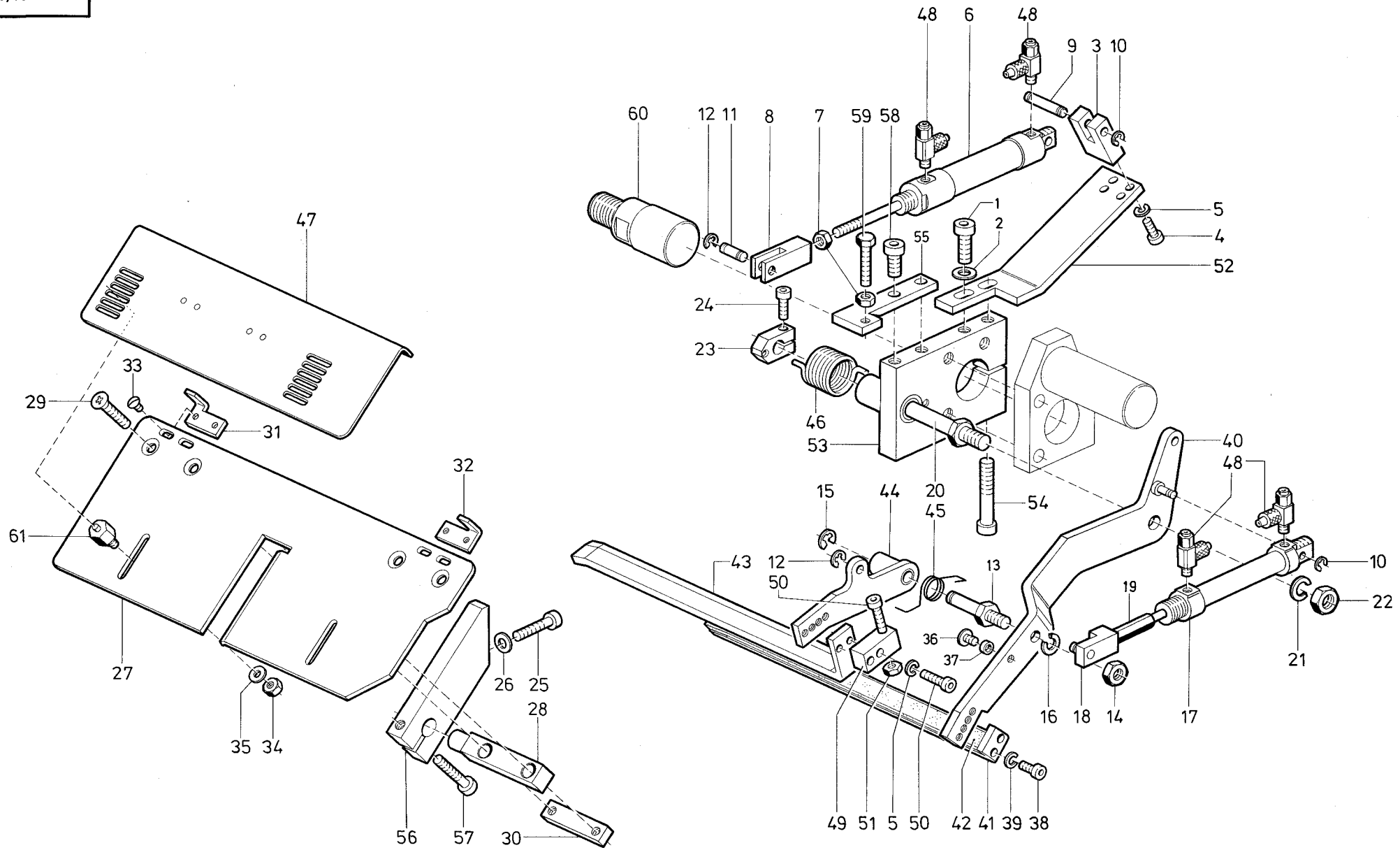
| Pos. Det. | Teile Nr. Part No. | Benennung                                      | Denomination                                    |
|-----------|--------------------|--|---|
|           | 7944601            | <b>Automatische Zuführeinrichtung, rechts*</b> | <b>Automatic Feeding Mechanism, right hand*</b> |
| 1         | 74680153           | Halter kpl. (mit Pos. 2)                       | Support cpl. (with pos. 2)                      |
| 2         | 7441694            | Zyl.-Schraube                                  | Cyl. head screw                                 |
| 3         | 74680162           | Platte   | Plate   |
| 4         | 556362             | Zyl.-Schraube                                  | Cyl. head screw                                 |
| 5         | 557263             | Scheibe  | Washer  |
| 6         | 74680166           | Lagerbock                                      | Pillow block                                    |
| 7         | 570912             | Zyl.-Schraube                                  | Cyl. head screw                                 |
| 8         | 5561075            | Federring                                      | Spring ring                                     |
| 9         | 74221996           | Zylinder                                       | Cylinder  |
| 10        | MG 8/7d            | 6kt.-Mutter                                    | Hexagonal nut                                   |
| 11        | 74680173           | Gabelkopf                                      | Fork head                                       |
| 12        | 255129             | Sicher.-Scheibe                                | Safety washer                                   |
| 13        | MG 43/2970         | Bolzen   | Bolt  |
| 14        | 570138             | Sicher.-Scheibe                                | Safety washer                                   |
| 15        | 7944032            | Hebel  | Lever   |
| 16        | 74680186           | Hebel  | Lever   |
| 17        | 7944038            | Drehfeder                                      | Torsion spring                                  |
| 18        | 74680206           | Bolzen   | Bolt  |
| 19        | 74680190           | Bolzen   | Bolt  |
| 20        | 7441131            | Federring                                      | Spring ring                                     |
| 21        | MG 43/408          | 6kt.-Mutter                                    | Hexagonal nut                                   |
| 22        | 7971532            | Zylinder                                       | Cylinder  |
| 23        | 7944045a           | Kloben   | Block   |
| 24        | 7944837            | Zwischenstück                                  | Distance piece                                  |
| 26        | 211100a            | Sicher.-Scheibe                                | Safety washer                                   |
| 27        | 7944609            | Klemmleiste                                    | Clamping reglet                                 |
| 28        | 7944605            | Klemmleiste kpl. (mit Pos. 29)                 | Clamping reglet cpl. (with pos. 29)             |
| 29        | 00290229000        | Klebeband                                      | Adhesive tape                                   |
| 30        | 725520b            | Federring                                      | Spring ring                                     |
| 31        | 72042a             | 6kt.-Mutter                                    | Hexagonal nut                                   |
| 32        | 74680211           | Drehfeder                                      | Torsion spring                                  |
| 33        | 74680212           | Stellkloben                                    | Adjusting block                                 |
| 34        | 7441968            | Zyl.-Schraube                                  | Cyl. head screw                                 |
| 35        | 7461212            | Zyl.-Schraube                                  | Cyl. head screw                                 |
| 36        | 74680216           | Platte   | Plate   |
| 37        | 93370175           | Zyl.-Schraube                                  | Cyl. head screw                                 |
| 38        | 024275             | Scheibe  | Washer  |
| 39        | 74680222           | Klemmstück kpl. (mit Pos. 37)                  | Clamp cpl. (with pos. 37)                       |

| Pos. Det. | Teile Nr. Part No. | Benennung   | Denomination                                   |
|-----------|--------------------|---|--|
| 40        | 2386530            | Zyl.-Schraube                                     | Cyl. head screw                                |
| 41        | 7944603            | Verlängerung                                      | Lengthening piece                              |
| 42        | 7944610            | Auflage   | Rest   |
| 43        | 74680233           | Bolzen  | Bolt   |
| 44        | 570939a            | Senkschraube                                      | Countersunk screw                              |
| 45        | 74640100           | Gewindelasche                                     | Threaded shackle                               |
| 46        | 74680235           | Anschlag  | Stop   |
| 47        | 74680236           | Anschlag  | Stop   |
| 48        | 911339             | Linsenschraube                                    | Fillister head screw                           |
| 49        | 5691895            | Scheibe   | Washer   |
| 50        | 202704             | 6kt.-Mutter                                       | Hexagonal nut                                  |
| 51        | 74640074           | Distanzstück                                      | Distance piece                                 |
| 52        | 9336268            | Linsenschraube                                    | Fillister head screw                           |
| 53        | 74640338           | Halter  | Holder   |
| 54        | Z 11811            | Federstift  | Spring pin                                     |
| 55        | 7944047            | Hülse   | Sleeve   |
| 57        | 74680281           | Formanschlag kpl. (best. aus Pos. 48, 53, 58, 59) | Shape stop cpl. (cons. of pos. 48, 53, 58, 59) |
| 58        | 74680283           | Platte  | Plate  |
| 59        | 74680287           | Aufnahme  | Retainer                                       |
| 60        | 797412             | Drosselventil                                     | Throttle valve                                 |
| 62        | 7928311            | Formanschlag kpl. (best. aus Pos. 63 bis 72)      | Shape stop cpl. (cons. of pos. 63 up to 72)    |
| 63        | 74640338           | Halter  | Holder   |
| 64        | 7928321            | Stange  | Rod  |
| 65        | 7928326            | Kloben kpl. (mit Pos. 66)                         | Block cpl. (with pos. 66)                      |
| 66        | 570912             | Zyl.-Schraube                                     | Cyl. head screw                                |
| 67        | 7928328            | Anschlag kpl. (mit Pos. 66)                       | Stop cpl. (with pos. 66)                       |
| 68        | 7928334            | Führung   | Guidance                                       |
| 69        | 223723             | Zyl.-Schraube                                     | Cyl. head screw                                |
| 70        | 55890              | Scheibe   | Washer   |
| 71        | 216497             | Zyl.-Schraube                                     | Cyl. head screw                                |
| 73        | 2113058            | Ring  | Ring   |
|           |                    | <b>* Für 220 mm Nählänge</b>                      | <b>* For 220 mm Sewing length</b>              |

| Pos. Det. | Teile Nr. Part No. | Benennung | Denomination |
|-----------|--------------------|-----------|--------------|
|-----------|--------------------|-----------|--------------|



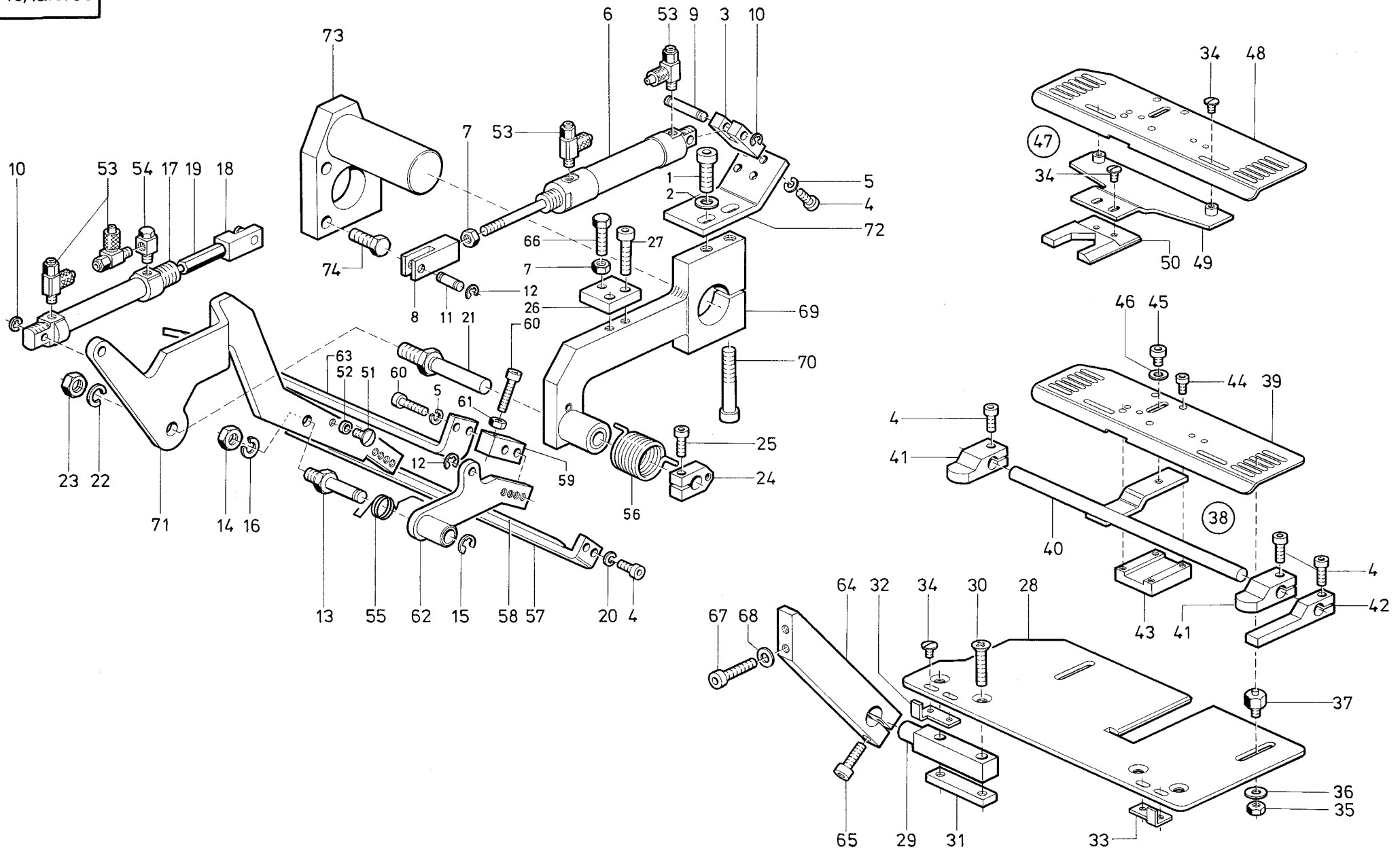
| Pos. Det. | Teile Nr. Part No. | Benennung                                     | Denomination                                   | Pos. Det. | Teile Nr. Part No. | Benennung                     | Denomination                      | Pos. Det. | Teile Nr. Part No. | Benennung | Denomination |
|-----------|--------------------|---|--|-----------|--------------------|-------------------------------|-----------------------------------|-----------|--------------------|-----------|--------------|
|           | 7944701            | <b>Automatische Zuführeinrichtung, links*</b> | <b>Automatic Feeding Mechanism, left hand*</b> | 40        | 7441968            | Zyl.-Schraube                 | Cyl. head screw                   |           |                    |           |              |
| 1         | 74680303           | Halter kpl. (mit Pos. 59)                     | Support cpl. (with pos. 59)                    | 41        | 202704             | 6kt.-Mutter                   | Hexagonal nut                     |           |                    |           |              |
| 2         | 74680310           | Platte  | Plate  | 42        | 556362             | Zyl.-Schraube                 | Cyl. head screw                   |           |                    |           |              |
| 3         | 7944512            | Hebel   | Lever  | 43        | 557263             | Scheibe                       | Washer                            |           |                    |           |              |
| 4         | 74680317           | Hebel   | Lever  | 45        | 74680222           | Klemmstück kpl. (mit Pos. 46) | Clamp cpl. (with pos. 46)         |           |                    |           |              |
| 5         | 7944520            | Drehfeder                                     | Torsion spring                                 | 46        | 93370175           | Zyl.-Schraube                 | Cyl. head screw                   |           |                    |           |              |
| 6         | 74680321           | Drehfeder (links-gewickelt)                   | Torsion spring (left-winding)                  | 47        | 2386530            | Zyl.-Schraube                 | Cyl. head screw                   |           |                    |           |              |
| 7         | 74680323           | Winkel  | Angle  | 49        | 7944610            | Auflage                       | Rest                              |           |                    |           |              |
| 8         | 74680326           | Rolle   | Roll   | 50        | 74680233           | Bolzen                        | Bolt                              |           |                    |           |              |
| 9         | 211100a            | Sicher.-Scheibe                               | Safety washer                                  | 51        | 570939a            | Senkschraube                  | Countersunk screw                 |           |                    |           |              |
| 10        | 7441509            | Zyl.-Schraube                                 | Cyl. head screw                                | 52        | 74640100           | Gewindelassche                | Threaded shackle                  |           |                    |           |              |
| 11        | 024275             | Scheibe                                       | Washer   | 53        | 74680235           | Anschlag                      | Stop                              |           |                    |           |              |
| 12        | 74680166           | Lagerbock                                     | Pillow block                                   | 54        | 74680236           | Anschlag                      | Stop                              |           |                    |           |              |
| 13        | 570912             | Zyl.-Schraube                                 | Cyl. head screw                                | 55        | 911339             | Linsenschraube                | Fillister head screw              |           |                    |           |              |
| 14        | 5561075            | Federring                                     | Spring ring                                    | 56        | 74640074           | Distanzstück                  | Distance piece                    |           |                    |           |              |
| 15        | 74221996           | Zylinder kpl.                                 | Cylinder cpl.                                  | 57        | 9336268            | Linsenschraube                | Fillister head screw              |           |                    |           |              |
| 16        | MG 8/7d            | 6kt.-Mutter                                   | Hexagonal nut                                  | 58        | 2113058            | Ring                          | Ring                              |           |                    |           |              |
| 17        | 74680173           | Gabelkopf                                     | Fork head                                      | 59        | 7441694            | Zyl.-Schraube                 | Cyl. head screw                   |           |                    |           |              |
| 18        | Z 11811            | Federstift                                    | Spring pin                                     | 60        | 7944522            | Anschlag, rechts              | Stop, right hand                  |           |                    |           |              |
| 19        | 255129             | Sicher.-Scheibe                               | Safety washer                                  | 61        | 797412             | Drosselventil                 | Throttle valve                    |           |                    |           |              |
| 20        | MG 43/2970         | Bolzen  | Bolt   | 62        | 7927234a           | Buchse                        | Bushing                           |           |                    |           |              |
| 21        | 74680190           | Bolzen  | Bolt   | 63        | 570138             | Sicher.-Scheibe               | Lock washer                       |           |                    |           |              |
| 22        | MG 43/408          | 6kt.-Mutter                                   | Hexagonal nut                                  | 65        | 7944603            | Verlängerung                  | Lengthening piece                 |           |                    |           |              |
| 23        | 7441131            | Federring                                     | Spring ring                                    | 66        | 5691895            | Scheibe                       | Washer                            |           |                    |           |              |
| 24        | 7971532            | Zylinder                                      | Cylinder                                       | 67        | 202704             | 6kt.-Mutter                   | Hexagonal nut                     |           |                    |           |              |
| 25        | 7944045a           | Kloben  | Block  | 68        | 74680190           | Bolzen Bolt                   |                                   |           |                    |           |              |
| 26        | 74680311           | Buchse  | Bush   |           |                    |                               |                                   |           |                    |           |              |
| 27        | 7944047            | Hülse   | Sleeve   |           |                    |                               |                                   |           |                    |           |              |
| 28        | 7944837            | Zwischenstück                                 | Distance piece                                 |           |                    |                               |                                   |           |                    |           |              |
| 30        | 2522955            | Sicher.-Scheibe                               | Safety washer                                  |           |                    |                               |                                   |           |                    |           |              |
| 31        | 7944709            | Klemmleiste                                   | Clamping reglet                                |           |                    |                               |                                   |           |                    |           |              |
| 32        | 7944705            | Klemmleiste kpl. (mit Pos. 33)                | Clamping reglet cpl. (with pos. 33)            |           |                    |                               |                                   |           |                    |           |              |
| 33        | 00290229000        | Klebeband                                     | Adhesive tape                                  |           |                    |                               |                                   |           |                    |           |              |
| 34        | 7461212            | Zyl.-Schraube                                 | Cyl. head screw                                |           |                    |                               |                                   |           |                    |           |              |
| 35        | 5561075            | Federring                                     | Spring ring                                    |           |                    |                               |                                   |           |                    |           |              |
| 36        | 74680206           | Bolzen  | Bolt   |           |                    |                               |                                   |           |                    |           |              |
| 37        | 725520b            | Federring                                     | Spring ring                                    |           |                    |                               |                                   |           |                    |           |              |
| 38        | 72042a             | 6kt.-Mutter                                   | Hexagonal nut                                  |           |                    |                               |                                   |           |                    |           |              |
| 39        | 74680212           | Stellkloben                                   | Adjusting block                                |           |                    |                               |                                   |           |                    |           |              |
|           |                    |   |  |           |                    | <b>* Für 220 mm Nählänge</b>  | <b>* For 220 mm Sewing length</b> |           |                    |           |              |



| Pos. Det. | Teile Nr. Part No. | Benennung                                       | Denomination  |
|-----------|--------------------|---|---|
|           | 7944901            | <b>Zuführeinrichtung links und rechts, kpl.</b> | <b>Feeding Mechanis left hand and right hand cpl.</b> |
| 1         | 556362             | Zyl.-Schraube                                   | Cyl. head screw                                       |
| 2         | 557263             | Scheibe   | Washer  |
| 3         | 74680166           | Lagerbock                                       | Bearing block   |
| 4         | 570912             | Zyl.-Schraube                                   | Cyl. head screw                                       |
| 5         | 5561075            | Federring                                       | Spring ring   |
| 6         | 74221996           | Zylinder  | Cylinder  |
| 7         | MG 8/7d            | 6kt.-Mutter                                     | Hexagonal nut   |
| 8         | 74680173           | Gabelkopf                                       | Fork head   |
| 9         | Z 11811            | Zylinderstift                                   | Cylinder pin  |
| 10        | 255129             | Sicher.-Scheibe                                 | Lock washer   |
| 11        | MG 43/2970         | Bolzen  | Bolt  |
| 12        | 570138             | Sicher.-Scheibe                                 | Lock washer   |
| 13        | 74680190           | Bolzen  | Bolt  |
| 14        | MG 43/408          | 6kt.-Mutter                                     | Hexagonal nut   |
| 15        | 211100a            | Sicher.-Scheibe                                 | Lock washer   |
| 16        | 7441131            | Federring                                       | Spring ring   |
| 17        | 7971532            | Zylinder  | Cylinder  |
| 18        | 7944045a           | Kloben  | Block   |
| 19        | 7944047            | Hülse   | Sleeve  |
| 20        | 74680206           | Bolzen  | Bolt  |
| 21        | 725520b            | Federring                                       | Spring ring   |
| 22        | 72042a             | 6kt.-Mutter                                     | Hexagonal nut   |
| 23        | 74680212           | Stellkloben                                     | Adjusting block                                       |
| 24        | 7441968            | Zyl.-Schraube                                   | Cyl. head screw                                       |
| 25        | 2386530            | Zyl.-Schraube                                   | Cyl. head screw                                       |
| 26        | 024275             | Scheibe   | Washer  |
| 27        | 74680231           | Auflage   | Rest  |
| 28        | 74680233           | Bolzen  | Bolt  |
| 29        | 570939a            | Senkschraube                                    | Countersunk screw                                     |
| 30        | 74640100           | Gewindelasche                                   | Thread shackle  |
| 31        | 74680235           | Anschlag  | Stop  |
| 32        | 74680236           | Anschlag  | Stop  |
| 33        | 911339             | Linsenschraube                                  | Fillister head screw                                  |
| 34        | 202704             | 6kt.-Mutter                                     | Hexagonal nut   |
| 35        | 5691895            | Scheibe   | Washer  |
| 36        | 9336268            | Linsenschraube                                  | Fillister head screw                                  |
| 37        | 2113058            | Ring  | Ring  |
| 38        | 570912             | Zyl.-Schraube                                   | Cyl. head screw                                       |
| 39        | 5561075            | Federring                                       | Spring ring   |
| 40        | 7944512            | Hebel   | Lever   |

| Pos. Det. | Teile Nr. Part No. | Benennung                      | Denomination                        |
|-----------|--------------------|--------------------------------|-------------------------------------|
| 41        | 74680315           | Klemmleiste kpl. (mit Pos. 42) | Clamping reglet cpl. (with pos. 42) |
| 42        | 0020090229000      | Klebeband                      | Adhesive tape                       |
| 43        | 74680316a          | Klemmleiste, links             | Clamping reglet, left hand          |
| 44        | 74680317           | Hebel                          | Lever                               |
| 45        | 7944520            | Drehfeder                      | Torsion spring                      |
| 46        | 74680321           | Drehfeder                      | Torsion spring                      |
| 47        | 7944522            | Anschlag                       | Stop                                |
| 48        | 797412             | Drosselventil                  | Throttle valve                      |
| 49        | 7944837            | Zwischenstück                  | Adjusting piece                     |
| 50        | 7461212            | Zyl.-Schraube                  | Cyl. head screw                     |
| 51        | 202704             | 6kt.-Mutter                    | Hexagonal nut                       |
| 52        | 7944907            | Platte                         | Plate                               |
| 53        | 7944806            | Halter kpl. (mit Pos. 54)      | Holder cpl. (with pos. 54)          |
| 54        | 7441694            | Zyl.-Schraube                  | Cyl. head screw                     |
| 55        | 7944813            | Platte                         | Plate                               |
| 56        | 7944815            | Klemmstück kpl. (mit Pos. 57)  | Clamping piece cpl. (with pos. 57)  |
| 57        | 93311296           | Zyl.-Schraube                  | Cyl. head screw                     |
| 58        | 74240277           | Zyl.-Schraube                  | Cyl. head screw                     |
| 59        | 93910071           | 6kt.-Schraube                  | Hexagonal screw                     |
| 60        | 7944603            | Verlängerung                   | Lengthening piece                   |
| 61        | 74640074           | Distanzstück                   | Distance piece                      |

| Pos. Det. | Teile Nr. Part No. | Benennung | Denomination |
|-----------|--------------------|-----------|--------------|
|-----------|--------------------|-----------|--------------|

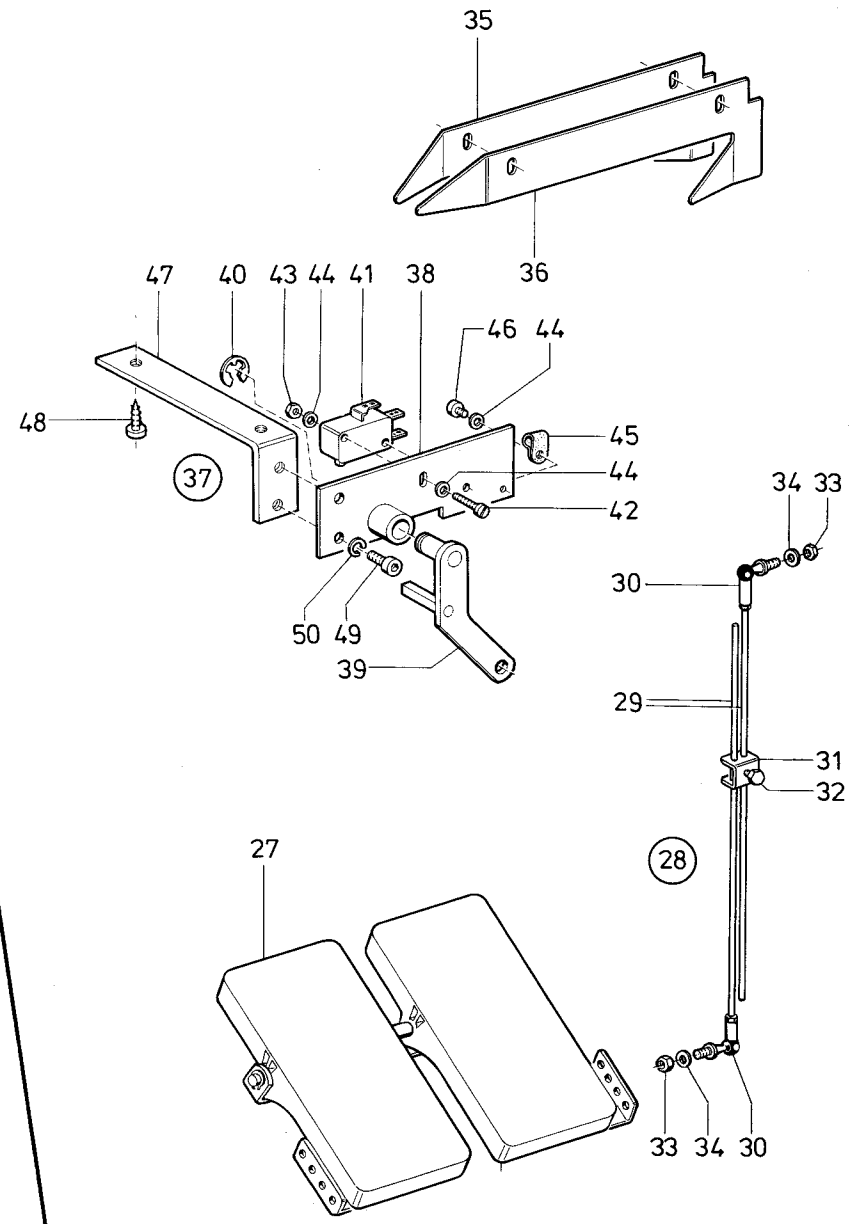
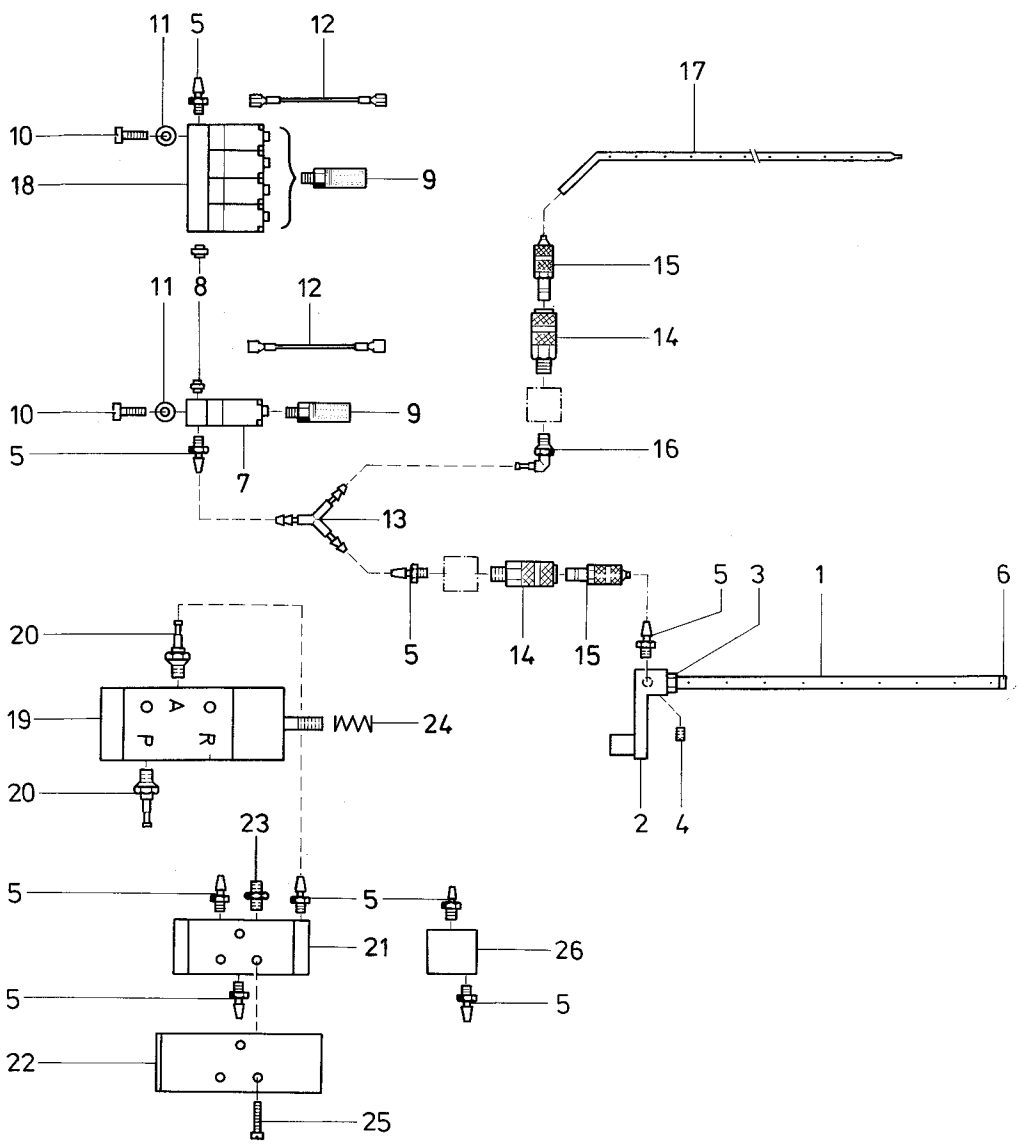


| Pos. Det. | Teile Nr. Part No. | Benennung   | Denomination  |
|-----------|--------------------|---|---|
|           |                    | <b>Zuführeinrichtung,<br/>links und rechts</b>        | <b>Feeding Mechanis,<br/>left hand and right<br/>hand</b> |
| 1         | 556362             | Zyl.-Schraube   | Cyl. head screw   |
| 2         | 557263             | Scheibe   | Washer  |
| 3         | 74680166           | Lagerbock   | Bearing block   |
| 4         | 570912             | Zyl.-Schraube   | Cyl. head screw   |
| 5         | 5561075            | Federring   | Spring ring   |
| 6         | 74221996           | Zylinder  | Cylinder  |
| 7         | MG 8/7d            | 6kt.-Mutter   | Hexagonal nut   |
| 8         | 74680173           | Gabelkopf   | Fork head   |
| 9         | Z 11811            | Zylinderstift   | Cylinder pin  |
| 10        | 255129             | Sicher.-Scheibe                                       | Lock washer   |
| 11        | MG 43/2970         | Bolzen  | Bolt  |
| 12        | 570138             | Sicher.-Scheibe                                       | Lock washer   |
| 13        | 74680190           | Bolzen  | Bolt  |
| 14        | MG 43/408          | 6kt.-Mutter   | Hexagonal nut   |
| 15        | 211100a            | Sicher.-Scheibe                                       | Lock washer   |
| 16        | 7441131            | Federring   | Spring ring   |
| 17        | 7971532            | Zylinder  | Cylinder  |
| 18        | 7944045a           | Kloben  | Block   |
| 19        | 7944047            | Hülse   | Sleeve  |
| 20        | 5561075            | Federring   | Spring ring   |
| 21        | 74680206           | Bolzen  | Bolt  |
| 22        | 725520b            | Federring   | Spring ring   |
| 23        | 72042a             | 6kt.-Mutter   | Hexagonal nut   |
| 24        | 74680212           | Stellkloben   | Adjusting block   |
| 25        | 7441968            | Zyl.-Schraube   | Cyl. head screw   |
| 26        | 74680216           | Platte  | Plate   |
| 27        | 93370175           | Zyl.-Schraube   | Cyl. head screw   |
| 28        | 74680232           | Auflage   | Rest  |
| 29        | 74680233           | Bolzen  | Bolt  |
| 30        | 570939a            | Senkschraube  | Countersunk screw   |
| 31        | 74640100           | Gewindelasche   | Thread shackle  |
| 32        | 74680235           | Anschlag  | Stop  |
| 33        | 74680236           | Anschlag  | Stop  |
| 34        | 911339             | Linsenschraube  | Fillister head screw                                      |
| 35        | 202704             | 6kt.-Mutter   | Hexagonal nut   |
| 36        | 5691895            | Scheibe   | Washer  |
| 37        | 74640074           | Distanzstück  | Distance piece  |
| 38        | 7928311            | Formanschlag kpl.<br>(best. aus Pos. 4, 39<br>bis 46) | Shape stop cpl.<br>(cons. of pos. 4, 39<br>up to 46)      |
| 39        | 74640338           | Halter  | Holder  |

| Pos. Det. | Teile Nr. Part No. | Benennung   | Denomination   |
|-----------|--------------------|---|--|
| 40        | 7928321            | Stange  | Rod  |
| 41        | 7928326            | Kloben kpl.<br>(mit Pos. 4)                             | Block cpl.<br>(with pos. 4)                          |
| 42        | 7928328            | Anschlag kpl.<br>(mit Pos. 4)                           | Stop cpl.<br>(with pos. 4)                           |
| 43        | 7928334            | Führung   | Guidance   |
| 44        | 216497             | Zyl.-Schraube   | Cyl. head screw                                      |
| 45        | 223723             | Zyl.-Schraube   | Cyl. head screw                                      |
| 46        | 55890              | Scheibe   | Washer   |
| 47        | 74680281           | Formanschlag kpl.<br>(best. aus Pos. 34, 48,<br>49, 50) | Shape stop cpl.<br>(cons. of pos. 34, 48,<br>49, 50) |
| 48        | 74640338           | Halter  | Holder   |
| 49        | 74680283           | Platte  | Plate  |
| 50        | 74680287           | Aufnahme  | Retainer   |
| 51        | 9336268            | Linsenschraube  | Fillister head screw                                 |
| 52        | 2113058            | Ring  | Ring   |
| 53        | 797412             | Drosselventil   | Throttle valve                                       |
| 54        | 23810073           | Winkelstück   | Square piece   |
| 55        | 7944520            | Drehfeder   | Torsion spring                                       |
| 56        | 74680321           | Drehfeder   | Torsion spring                                       |
| 57        | 7944841            | Klemmleiste kpl.<br>(mit Pos. 58)                       | Clamping reglet cpl.<br>(with pos. 58)               |
| 58        | 0020090229000      | Klebeband   | Adhesive tape  |
| 59        | 7944837            | Zwischenstück   | Adjusting piece                                      |
| 60        | 7461212            | Zyl.-Schraube   | Cyl. head screw                                      |
| 61        | 202704             | 6kt.-Mutter   | Hexagonal nut  |
| 62        | 74680317           | Hebel   | Lever  |
| 63        | 7944844            | Klemmleiste   | Clamping reglet                                      |
| 64        | 7944815            | Klemmstück kpl.<br>(mit Pos. 65)                        | Clamping piece cpl.<br>(with pos. 65)                |
| 65        | 93311296           | Zyl.-Schraube   | Cyl. head screw                                      |
| 66        | 93910071           | 6kt.-Schraube   | Hexagonal screw                                      |
| 67        | 2386530            | Zyl.-Schraube   | Cyl. head screw                                      |
| 68        | 024275             | Scheibe   | Washer   |
| 69        | 7944913            | Halter kpl.<br>(mit Pos. 70)                            | Holder cpl.<br>(with pos. 70)                        |
| 70        | 7441694            | Zyl.-Schraube   | Cyl. head screw                                      |
| 71        | 7944922            | Hebel   | Lever  |
| 72        | 7944926            | Platte  | Plate  |
| 73        | 7944931            | Verbinder   | Connector  |
| 74        | 719127             | 6kt.-Schraube   | Hexagonal screw                                      |

| Pos. Det. | Teile Nr. Part No. | Benennung | Denomination |
|-----------|--------------------|-----------|--------------|
|           |                    |           |              |

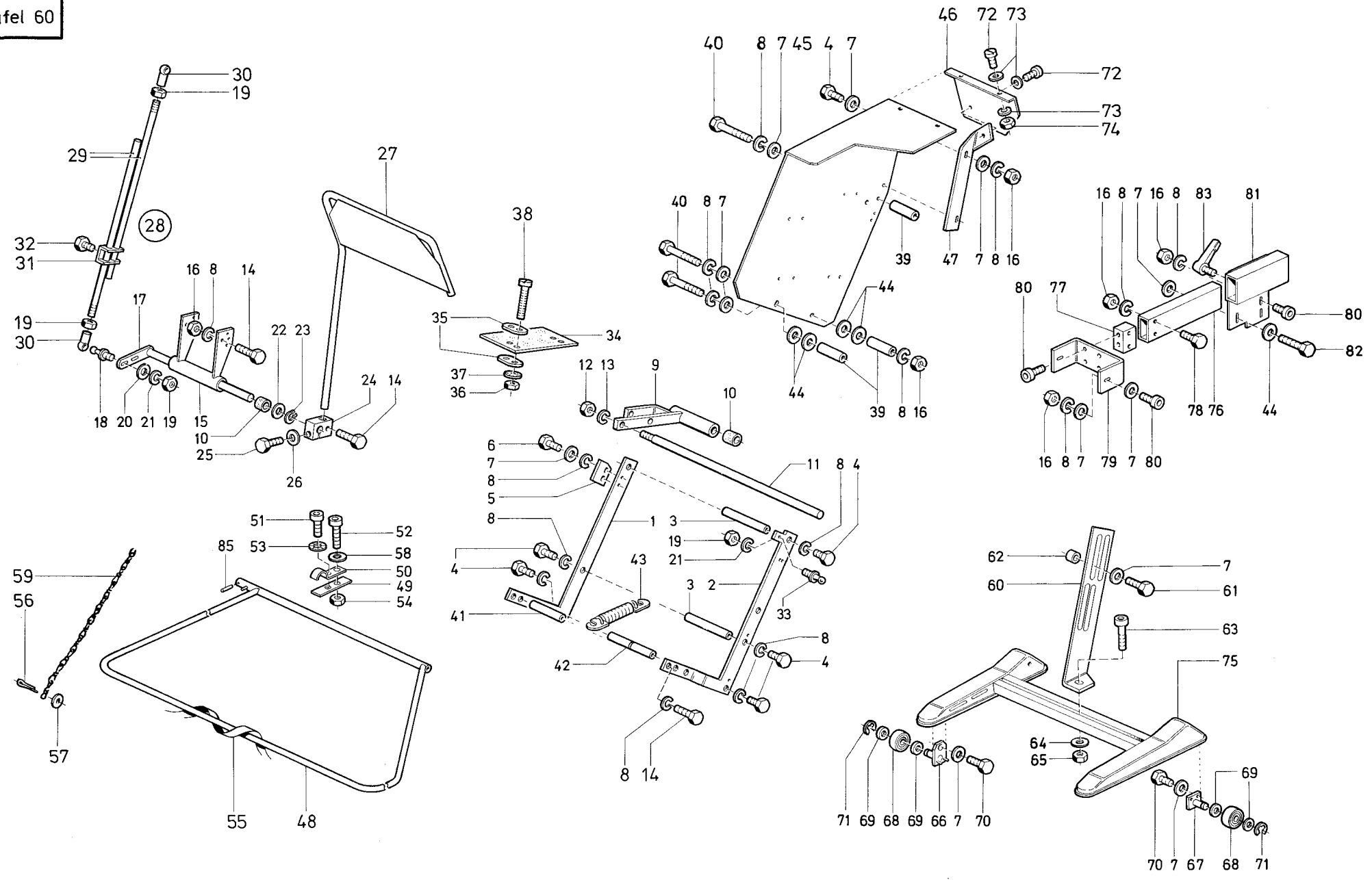




| Pos. Det. | Teile Nr. Part No. | Benennung                                      | Denomination                                      |
|-----------|--------------------|--|---|
|           |                    | <b>Zuführeinrichtung, links und rechts</b>     | <b>Feeding Mechanis, left hand and right hand</b> |
| 1         | 7943505            | Blasrohr                                       | Blowin pipe                                       |
| 2         | 7943507            | Hebel  | Lever   |
| 3         | 216660             | 6kt.-Mutter                                    | Hexagonal nut                                     |
| 4         | 420328             | Gewindestift                                   | Threaded stud                                     |
| 5         | 7972016            | Schlauchtülle                                  | Hose nozzle                                       |
| 6         | 5701847            | Blindstopfen                                   | Blind plug  |
| 7         | 797331*            | Magnetventil                                   | Solenoid valve                                    |
| 8         | 7443572            | Steckverbindung                                | Coupler plug                                      |
| 9         | Z 11649            | Schalldämpfer                                  | Silencer  |
| 10        | 7441509            | Zyl.-Schraube                                  | Cyl. head screw                                   |
| 11        | 024275             | Scheibe  | Washer  |
| 12        | 74221623           | Leitung  | Cable   |
| 13        | 7972201            | Y-Verbindung                                   | Y-connection                                      |
| 14        | 74640378           | Kuppl.-Dose                                    | Coupler socket                                    |
| 15        | 74640379           | Kuppl.-Stecker                                 | Coupler plug                                      |
| 16        | 746768             | Schl.-Verschr.                                 | Hose coupling screw                               |
| 17        | 7944958            | Blasrohr                                       | Blowing pipe                                      |
| 18        | 797334*            | Magnetventil                                   | Solenoid valve                                    |
| 19        | Z 100344           | 3/2-Wegeventil                                 | Valve   |
| 20        | 7422238            | Schl.-Verschr.                                 | Hose coupling screw                               |
| 21        | 797210             | 5/2-Wegeventil                                 | Valve   |
| 22        | 7944867            | Winkel   | Angle   |
| 23        | Z 11650            | Doppelnippel                                   | Double nipple                                     |
| 24        | 249131             | Druckfeder                                     | Pressure spring                                   |
| 25        | 5693278            | Zyl.-Schraube                                  | Cyl. head screw                                   |
| 26        | 55614291           | Oder-Baustein                                  | Valve   |
| 27        | MG 43/2548         | Pedal  | Pedal   |
| 28        | 74610921           | Gestänge kpl. (best. aus Pos. 29 bis 34)       | Rods cpl. (cons. of pos. 29 up to 34)             |
| 29        | 74610922           | Druckstange                                    | Pressure bar                                      |
| 30        | 5562267            | Kugelgelenk                                    | Link  |
| 31        | MG 43/403          | Klemme   | Clamp   |
| 32        | MG 43/404          | 6kt.-Schraube                                  | Hexagonal screw                                   |
| 33        | MG 43/409          | 6kt.-Mutter                                    | Hexagonal nut                                     |
| 34        | MG 43/2510         | Scheibe  | Washer  |
| 35        | 7944129            | Leitblech                                      | Guide plate                                       |
| 36        | 7944130            | Leitblech                                      | Guide plate                                       |
| 37        | 74680251           | Schalterplatte kpl. (best. aus Pos. 38 bis 50) | Switch plate cpl. (cons. of pos. 38 up to 50)     |
| 38        | 74680252           | Lagerplatte                                    | Bearing plate                                     |

| Pos. Det. | Teile Nr. Part No. | Benennung                       | Denomination                          |
|-----------|--------------------|---------------------------------|---------------------------------------|
| 39        | 74680256           | Hebel                           | Lever                                 |
| 40        | 93002119           | Sicher.-Scheibe                 | Lock washer                           |
| 41        | 739878             | Mikroschalter                   | Micro switch                          |
| 42        | 5693278            | Zyl.-Schraube                   | Cyl. head screw                       |
| 43        | 5511824            | 6kt.-Mutter                     | Hexagonal nut                         |
| 44        | 1005233            | Scheibe                         | Washer                                |
| 45        | 94210318           | Schelle                         | Clip                                  |
| 46        | 739297             | Zyl.-Schraube                   | Cyl. head screw                       |
| 47        | 74680273           | Winkel                          | Angle                                 |
| 48        | 7441115            | Holzschraube                    | Wood screw                            |
| 49        | 2461049            | Zyl.-Schraube                   | Cyl. head screw                       |
| 50        | 719124             | Federring                       | Spring ring                           |
|           | 797322*            | Magnetventil ohne Montageplatte | Solenoid valve without mounting plate |

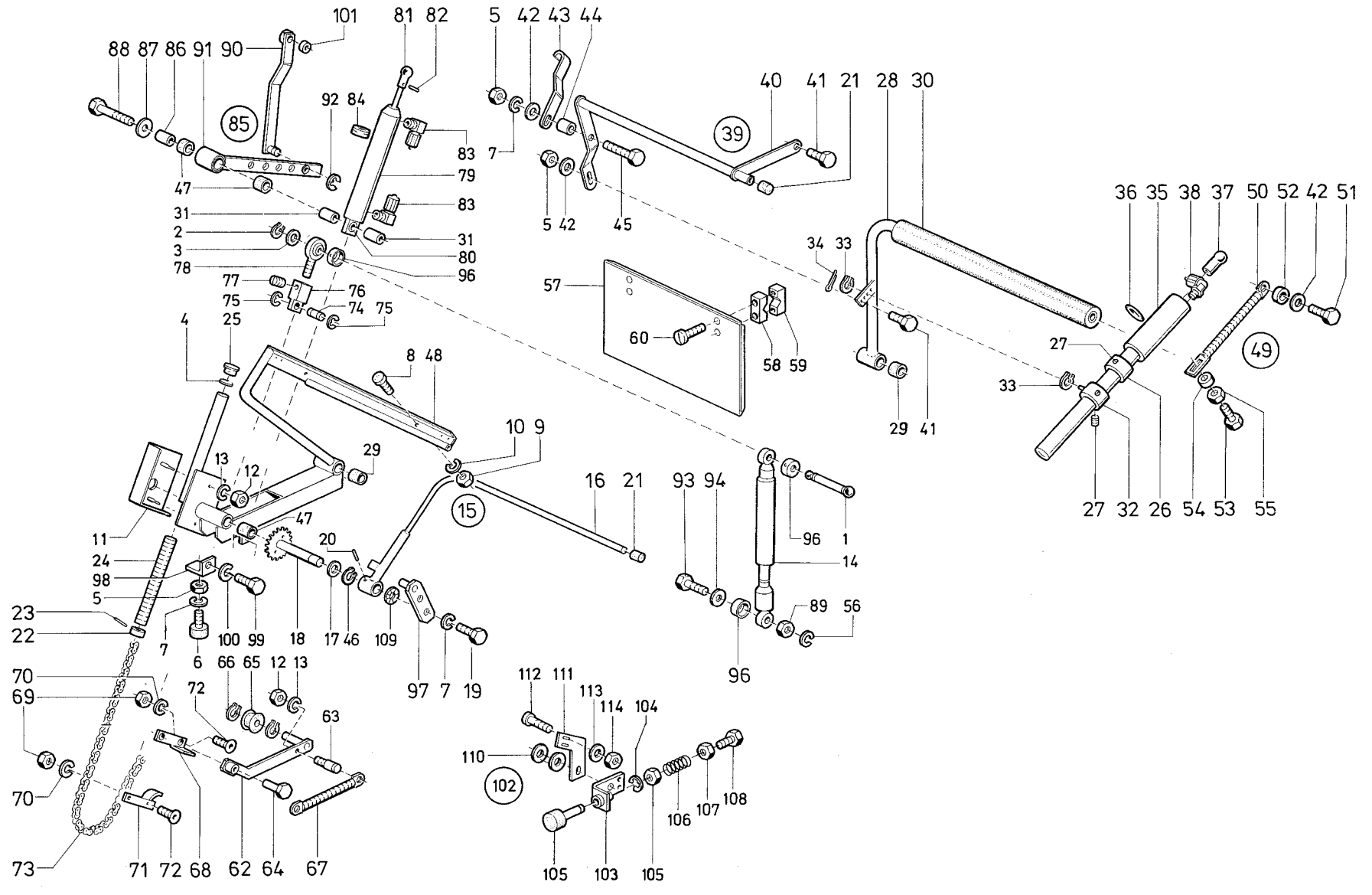
| Pos. Det. | Teile Nr. Part No. | Benennung | Denomination |
|-----------|--------------------|-----------|--------------|
|-----------|--------------------|-----------|--------------|



| Pos. Det. | Teile Nr. Part No. | Benennung   | Denomination                                       |
|-----------|--------------------|---|--|
|           |                    | Staplerteile  | Stacker parts                                      |
|           | <b>7941801</b>     | <b>Stapler kpl.</b>                                   | <b>Stacker cpl.</b>                                |
| 1         | Z 112102           | Halteleiste   | Holding reglet                                     |
| 2         | Z 112105           | Halteleiste   | Holding reglet                                     |
| 3         | Z 112109           | Welle   | Shaft  |
| 4         | App. 20160         | 6kt.-Schraube   | Hexagonal screw                                    |
| 5         | Z 112114           | Anschlag  | Stop   |
| 6         | MG 43/36           | 6kt.-Schraube   | Hexagonal screw                                    |
| 7         | 72043              | Scheibe   | Washer   |
| 8         | 725520b            | Federring   | Spring ring  |
| 9         | Z 112121           | Klemmhebel kpl.<br>(mit Pos. 10)                      | Clamping lever cpl.<br>(with pos. 10)              |
| 10        | Z 112127           | Buchse  | Bushing  |
| 11        | Z 112125           | Klemmstange   | Clamping rod                                       |
| 12        | 7425110a           | 6kt.-Mutter   | Hexagonal nut                                      |
| 13        | 7425110            | Federring   | Spring ring  |
| 14        | 720127             | 6kt.-Schraube   | Hexagonal screw                                    |
| 15        | Z 112463           | Strebe kpl.<br>(mit Pos. 8, 10, 14, 16)               | Prop cpl.<br>(with pos. 8, 10, 14, 16)             |
| 16        | 72042a             | 6kt.-Mutter   | Hexagonal nut                                      |
| 17        | Z 112471           | Hebel   | Lever  |
| 18        | 5701220            | Kugelbolzen   | Ball pin   |
| 19        | MG 43/409          | 6kt.-Mutter   | Hexagonal nut                                      |
| 20        | 557263             | Scheibe   | Washer   |
| 21        | 7441131            | Federring   | Spring ring  |
| 22        | 7441492            | Scheibe   | Washer   |
| 23        | Z 112224           | Sicher.-Ring  | Circlip  |
| 24        | Z 112478           | Kloben kpl.<br>(mit Pos. 14, 25, 26)                  | Block cpl.<br>(with pos. 14, 25, 26)               |
| 25        | MG 41/1263         | 6kt.-Schraube   | Hexagonal screw                                    |
| 26        | MG 41/1356         | Scheibe   | Washer   |
| 27        | Z 112483           | Gegenhalter   | Holder-up  |
| 28        | Z 112499           | Stange kpl.<br>(best. aus Pos. 19, 29,<br>30, 31, 32) | Rods cpl.<br>(cons. of pos. 19, 29,<br>30, 31, 32) |
| 29        | Z 112500           | Stange  | Rod  |
| 30        | 211616             | Kugelpfanne   | Ball socket  |
| 31        | MG 43/403          | Klemme  | Clamp  |
| 32        | MG 43/404          | 6kt.-Schraube   | Hexagonal screw                                    |
| 33        | 5701220            | Kugelbolzen   | Ball pin   |
| 34        | Z 1129973          | Gummiplatte   | Rubber plate                                       |
| 35        | 2461218            | Lasche  | Shackle  |
| 36        | 202704             | 6kt.-Mutter   | Hexagonal nut                                      |
| 37        | 739347             | Zahnscheibe   | Tooth lock washer                                  |

| Pos. Det. | Teile Nr. Part No. | Benennung  | Denomination  |
|-----------|--------------------|--|---|
| 38        | 74424336           | Zyl.-Schraube  | Cyl. head screw   |
| 39        | Z 112454           | Hülse  | Sleeve  |
| 40        | MG 41/1255         | 6kt.-Schraube  | Hexagonal screw   |
| 41        | Z 112284           | Achse  | Axle  |
| 42        | Z 112110           | Achse  | Axle  |
| 43        | Z 112165k          | Zugfeder   | Draw spring   |
| 44        | 700444             | Scheibe  | Washer  |
| 45        | Z 1129993          | Schutzblech  | Guard plate   |
| 46        | Z 1129995          | Deckblech  | Covering plate  |
| 47        | Z 1129999          | Lasche   | Shackle   |
| 48        | 74610631k          | Schutzrahmen kpl.<br>(mit Pos. 49, 50, 51,<br>52, 53, 54, 55, 56, 57,<br>58, 85) | Protective frame cpl.<br>(with pos. 49, 50, 51,<br>52, 53, 54, 55, 56, 57,<br>58, 85) |
| 49        | 74610636           | Leiste   | Reglet  |
| 50        | 74610637           | Scharnier  | Hinge   |
| 51        | 7461077            | Zyl.-Schraube  | Cyl. head screw   |
| 52        | 556362             | Zyl.-Schraube  | Cyl. head screw   |
| 53        | 211609             | Zahnscheibe  | Tooth lock washer   |
| 54        | MG 43/408          | 6kt.-Mutter  | Hexagonal nut   |
| 55        | Z 11210515         | Markierungsband  | Marking strip   |
| 56        | 255356             | Splint   | Split pin   |
| 57        | 5691895            | Scheibe  | Washer  |
| 58        | 7461692            | Scheibe  | Washer  |
| 59        | 052360B            | Kette  | Chain   |
| 60        | Z 1121522          | Haltestrebe  | Holding prop  |
| 61        | 720127             | 6kt.-Schraube  | Hexagonal screw   |
| 62        | 93916830           | Distanzring  | Distance ring   |
| 63        | Z 112392           | Zyl.-Schraube  | Cyl. head screw   |
| 64        | MG 4/6             | Scheibe  | Washer  |
| 65        | MG 43/13           | 6kt.-Mutter  | Hexagonal nut   |
| 66        | 74610651           | Lagerplatte  | Bearing plate   |
| 67        | 74610658           | Lagerplatte  | Bearing plate   |
| 68        | 74610661           | Laufrolle  | Roll  |
| 69        | MG 41/1356         | Scheibe  | Washer  |
| 70        | 720131             | 6kt.-Schraube  | Hexagonal screw   |
| 71        | 265289             | Sicher.-Scheibe  | Lock washer   |
| 72        | 74450241           | Zyl.-Schraube  | Cyl. head screw   |
| 73        | 74450243           | Scheibe  | Washer  |
| 74        | MG 8/7d            | 6kt.-Mutter  | Hexagonal nut   |
| 75        | Z 1121504a         | Gestellfuß   | Mounting Foot   |
| 76        | 7941806            | Holm   | String piece  |
| 77        | 7441013            | Rohrverbinder  | Tube connector  |
| 78        | 720607             | 6kt.-Schraube  | Hexagonal screw   |
| 79        | 74610598           | Winkel   | Angle   |

| Pos. Det. | Teile Nr. Part No. | Benennung     | Denomination    |
|-----------|--------------------|---------------|-----------------|
| 80        | 911376             | Zyl.-Schraube | Cyl. head screw |
| 81        | 7941895            | Holm          | String piece    |
| 82        | MG 41/1305         | 6kt.-Schraube | Hexagonal screw |
| 83        | 74610608           | Klemmhebel    | Clamping lever  |
| 85        | TG 42/99           | Spannhülse    | Clamping sleeve |



| Pos. Det. | Teile Nr. Part No. | Benennung  | Denomination   |
|-----------|--------------------|--|--|
|           | <b>7941081</b>     | <b>Stapler kpl.</b>  | <b>Stacker cpl.</b>  |
| 1         | Z 112129a          | Kugelbolzen  | Ball pin   |
| 2         | 650353             | Sicher.-Ring   | Circlip  |
| 3         | 216216             | Scheibe  | Washer   |
| 4         | Z 112153           | Sicher.-Ring   | Circlip  |
| 5         | 72042a             | 6kt.-Mutter  | Hexagonal nut  |
| 6         | Z 112164           | Gummipuffer  | Rubber buffer  |
| 7         | 725520b            | Federring  | Spring ring  |
| 8         | Z 112167           | Anschlagpuffer   | Rubber buffer  |
| 9         | MG 43/409          | 6kt.-Mutter  | Hexagonal nut  |
| 10        | 7441131            | Federring  | Spring ring  |
| 11        | Z 112171           | Abdeckhaube  | Covering cap   |
| 12        | MG 43/408          | 6kt.-Mutter  | Hexagonal nut  |
| 13        | 5692773            | Federring  | Spring ring  |
| 14        | 74422278           | Stoßdämpfer  | Shock absorber   |
| 15        | Z 112204           | Umschläger kpl.<br>(best. aus Pos. 16 bis 21, 46)                        | Overturner cpl.<br>(cons. of pos. 16 up to 21, 46)                       |
| 16        | Z 112205           | Umschläger   | Overturner   |
| 17        | 7441492            | Scheibe  | Washer   |
| 18        | Z 112211           | Umschlägerwelle  | Overturner shaft   |
| 19        | 720127             | 6kt.-Schraube  | Hexagonal screw  |
| 20        | 5702383            | Spannhülse   | Clamping sleeve  |
| 21        | Z 1121110          | Schutzkappe  | Protective cap   |
| 22        | Z 112243           | Kolben   | Piston   |
| 23        | 204128             | Stift  | Pin  |
| 24        | Z 112246           | Druckfeder   | Pressure spring  |
| 25        | 911333             | Schutzkappe  | Protective cap   |
| 26        | Z 112249           | Ring kpl.<br>(mit Pos. 27)   | Ring cpl.<br>(with pos. 27)  |
| 27        | 911668             | Gewindestift   | Threaded stud  |
| 28        | Z 112271           | Stapelhebel kpl.<br>(mit Pos. 29, 30)                                    | Stacker lever cpl.<br>(with pos. 29, 30)                                 |
| 29        | 7461204            | Buchse   | Bushing  |
| 30        | Z 112278           | Schlauch   | Hose   |
| 31        | Z 112295           | Rohr   | Tube   |
| 32        | Z 112441k          | Klemmring kpl.<br>(mit Pos. 27, 33, 34)                                  | Clamping ring cpl.<br>(with pos. 27, 33, 34)                             |
| 33        | 74422395           | Greifring  | Grip ring  |
| 34        | 93311327           | Splint   | Split pin  |
| 35        | Z 1121968          | Zylinder kpl.<br>(mit Pos. 36, 37, 38 und auf Tafel 60, Pos. 19, 21, 33) | Cylinder cpl.<br>(with pos. 36, 37, 38 and on table 60, pos. 19, 21, 33) |

| Pos. Det. | Teile Nr. Part No. | Benennung  | Denomination  |
|-----------|--------------------|--|---|
| 36        | Z 1121937a         | Nutring  | Grooved ring  |
| 37        | 211616             | Kugelpfanne  | Ball socket   |
| 38        | 74423556           | Schl.-Verschr.   | Hose coupling screw   |
| 39        | Z 1122061          | Stapelgutträger kpl.<br>(best. aus Pos. 5, 21, 40, 41, 42) | Stacker prod. carrier cpl.<br>(cons. of pos. 5, 21, 40, 41, 42) |
| 40        | Z 1122062          | Tragrohr   | Supporting tube   |
| 41        | App. 20160         | 6kt.-Schraube  | Hexagonal screw   |
| 42        | 72043              | Scheibe  | Washer  |
| 43        | Z 1121093          | Bügel  | Bow   |
| 44        | 93916830           | Distanzring  | Distance ring   |
| 45        | 720293             | 6kt.-Schraube  | Hexagonal screw   |
| 46        | Z 1122224          | Sicher.-Ring   | Circlip   |
| 47        | Z 112127           | Buchse   | Bushing   |
| 48        | Z 112135           | Klemmhebel kpl.<br>(mit Pos. 29 und 47)                    | Clamping lever cpl.<br>(with pos. 29 and 47)                    |
| 49        | Z 112741           | Zusatzfeder kpl.<br>(best. aus Pos. 42, 50 bis 55)         | Special spring cpl.<br>(cons. of pos. 42, 50 up to 55)          |
| 50        | Z 112743           | Zugfeder   | Draw spring   |
| 51        | 720607             | 6kt.-Mutter  | Hexagonal nut   |
| 52        | MG 41/4606         | Abstandsrohr   | Distance tube   |
| 53        | 216211             | 6kt.-Schraube  | Hexagonal screw   |
| 54        | 93370265           | Buchse   | Bushing   |
| 55        | 5701287            | 6kt.-Mutter  | Hexagonal nut   |
| 56        | 7421475            | Federring  | Spring ring   |
| 57        | 7941886            | Platte   | Plate   |
| 58        | 74660974           | Klemmbock  | Clamping block  |
| 59        | 74660975           | Klemmbock  | Clamping block  |
| 60        | 7941889            | Linsenschraube   | Fillister head screw  |
| 62        | Z 11216122         | Hebel  | Lever   |
| 63        | Z 11216137         | Bolzen   | Bolt  |
| 64        | Z 11216130         | Bolzen   | Bolt  |
| 65        | Z 11216133         | Rolle  | Roll  |
| 66        | 74422395           | Greifring  | Grip ring   |
| 67        | Z 11216136k        | Zugfeder   | Draw spring   |
| 68        | Z 11216137a        | Bef.-Winkel  | Fastening angle   |
| 69        | MG 8/7d            | 6kt.-Mutter  | Hexagonal nut   |
| 70        | 719124             | federring  | Spring ring   |
| 71        | Z 11216140         | Anschlag   | Stop  |
| 72        | 29189              | Senkschraube   | Countersunk screw   |
| 73        | Z 11216141         | Kette  | Chain   |
| 74        | Z 11216142         | Bolzen   | Bolt  |
| 75        | 10019228           | Sicher.-Scheibe  | Lock washer   |
| 76        | Z 11216144         | Kloben   | Block   |

| Pos. Det. | Teile Nr. Part No. | Benennung   | Denomination  |
|-----------|--------------------|---|---|
| 77        | 223646             | Gewindestift  | Threaded stud   |
| 78        | 74223001           | Gelenklager   | Special bearing   |
| 79        | Z 112291k          | Zylinder kpl.<br>(mit Pos. 80 bis 84)   | Cylinder cpl.<br>(with pos. 80 up to 84)                                      |
| 80        | Z 112292           | Speziallager  | Special bearing   |
| 81        | 7423255            | Kugelpfanne   | Ball socket   |
| 82        | 713387             | Spannhülse  | Clamping sleeve   |
| 83        | 7972302            | Schl.-Verschr.  | Hose coupling screw   |
| 84        | Z 112291a          | Doppelnutring   | Double grooved ring   |
| 85        | Z 112381           | <b>Bausatz kpl. (zur Verkürzung des Stapelganges, best. aus Pos. 86 bis 96)</b> | <b>Kid cpl. (for reducing Stacker proceedings, cons. of pos. 86 up to 96)</b> |
| 86        | Z 11210015         | Abstandshülse   | Distance sleeve   |
| 87        | 5701201            | Scheibe   | Washer  |
| 88        | Z 112390           | 6kt.-Schraube   | Hexagonal screw   |
| 89        | 74421240           | 6kt.-Mutter   | Hexagonal nut   |
| 90        | Z 112401           | Hebel kpl.<br>(mit Pos. 91)   | Lever cpl.<br>(with pos. 91)  |
| 91        | Z 112382           | Hebel kpl.<br>(mit Pos. 47)   | Lever cpl.<br>(with pos. 47)  |
| 92        | 7443142            | Sicher.-Scheibe   | Lock washer   |
| 93        | Z 112407           | 6kt.-Schraube   | Hexagonal screw   |
| 94        | 7422163            | Scheibe   | Washer  |
| 96        | Z 11216147         | Schutzkappe   | Protective cap  |
| 97        | Z 1121661          | Lasche  | Shackle   |
| 98        | Z 112155           | Winkel  | Angle   |
| 99        | MG 43/11           | 6kt.-Schraube   | Hexagonal screw   |
| 100       | MG 43/12           | Federring   | Spring ring   |
| 101       | 79364904           | Buchse  | Bushing   |
| 102       | Z 11210221         | Teilesatz kpl.<br>(best. aus Pos. 97, 103 bis 110)                              | Set of parts cpl.<br>(cons. of pos. 97, 103 up to 110)                        |
| 103       | Z 11216152         | Winkel  | Angle   |
| 104       | 650353             | Sicher.-Scheibe   | Lock washer   |
| 105       | Z 11216156         | Puffer  | Buffer  |
| 106       | 23817122           | Druckfeder  | Pressure spring   |
| 107       | 202704             | 6kt.-Mutter   | Hexagonal nut   |
| 108       | 2691023            | 6kt.-Schraube   | Hexagonal screw   |
| 109       | 557134             | Zahnscheibe   | Tooth lock washer   |
| 110       | 700444             | Scheibe   | Washer  |
| 111       | Z 112638           | Lasche  | Shackle   |
| 112       | Z 111162           | Zyl.-Schraube   | Cyl. head screw   |
| 113       | 5691895            | Scheibe   | Washer  |
| 114       | 202704             | 6kt.-Mutter   | Hexagonal nut   |

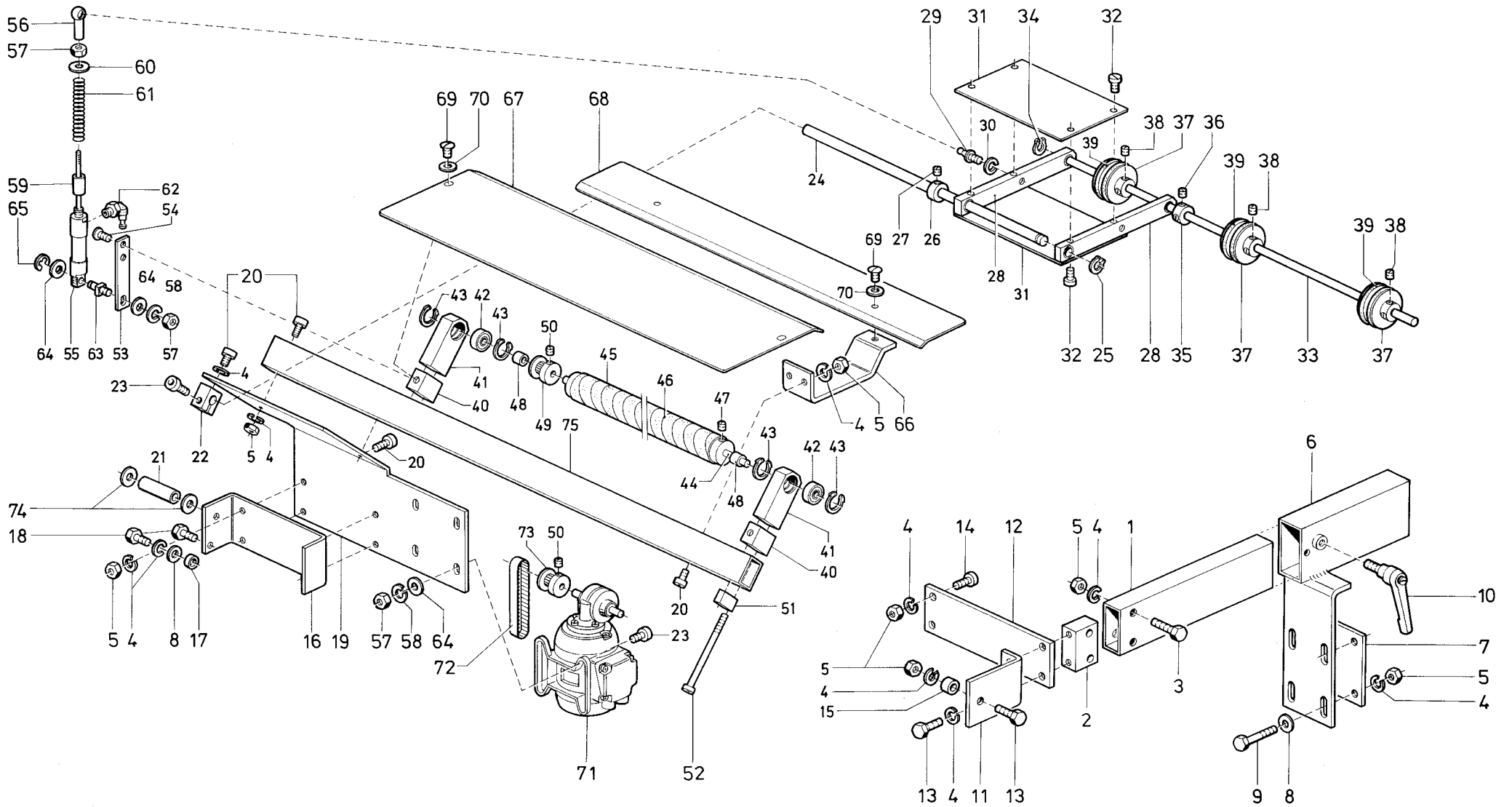


| Pos. Det. | Teile Nr. Part No. | Benennung   | Denomination                                       |
|-----------|--------------------|---|--|
|           |                    | <b>Stapler</b>                                    | <b>Stacker</b>                                     |
| 1         | Z 112593           | 4/2-Wege-Ventil                                   | 4/2-Distributor valve                              |
| 2         | 79715              | 3/2-Wegeventil                                    | 3/2-Distributor valve                              |
| 3         | 7441820            | Drosselventil                                     | Throttle valve                                     |
| 4         | 7449491            | Verteilerstück                                    | Distributor  |
| 5         | 7442526            | T-Stück   | T-piece  |
| 6         | 7426318            | Winkelstück                                       | Supporting angle piece                             |
| 7         | 7441819            | Doppelnippel                                      | Double nipple                                      |
| 8         | 7973193            | Schalldämpfer                                     | Silencer   |
| 9         | Z 11649            | Schalldämpfer                                     | Silencer   |
| 10        | 7426320            | Luftschraube                                      | Hollow screw                                       |
| 11        | 74423556           | Schl.-Verschr.                                    | Hose coupling screw                                |
| 12        | 7972302            | Schl.-Verschr.                                    | Hose coupling screw                                |
| 13        | 7972252            | Schl.-Verschr.                                    | Hose coupling screw                                |
| 14        | 7441816            | Schl.-Verschr.                                    | Hose coupling screw                                |
| 15        | 7422238            | Schl.-Verschr.                                    | Hose coupling screw                                |
| 16        | P 12159            | Blindstopfen                                      | Blind  |
| 17        | 7972016            | Schlauchtülle                                     | Hose nozzle  |
| 18        | 7442528            | Muffe   | Bushing  |
| 19        | 7221139            | Schl.-Verschr.                                    | Hose coupling screw                                |
| 20        | P 12153            | Winkelstück                                       | Supporting angle piece                             |
| 38        | 797143             | Fußschalter kpl.<br>(best. aus Pos. 39<br>bis 51) | Foot switch cpl.<br>(cons. of pos. 39 up<br>to 51) |
| 39        | 79368394           | Platte  | Plate  |
| 40        | 79368395           | Winkelblech                                       | Angle plate  |
| 41        | 798221022          | Durchführungstülle                                | Nozzle   |
| 42        | 79368404           | Blattfeder  | Leaf spring  |
| 43        | 2401285            | 6kt.-Schraube                                     | Hexagonal screw                                    |
| 44        | 024275             | Scheibe   | Washer   |
| 45        | MG 41/8414         | Durchführungstülle                                | Nozzle   |
| 46        | 79720              | Ventil  | Valve  |
| 47        | 7461212            | Zyl.-Schraube                                     | Cyl. head screw                                    |
| 48        | 7973194            | Schalldämpfer                                     | Silencer   |
| 49        | 794123             | Platte  | Plate  |
| 50        | 9339478            | Zyl.-Schraube                                     | Cyl. head screw                                    |
| 51        | 1005233            | Scheibe   | Washer   |

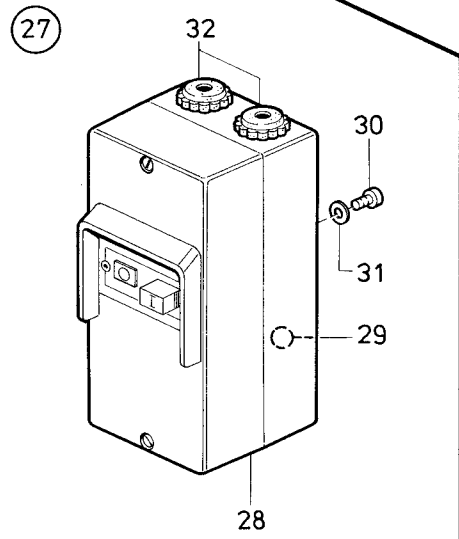
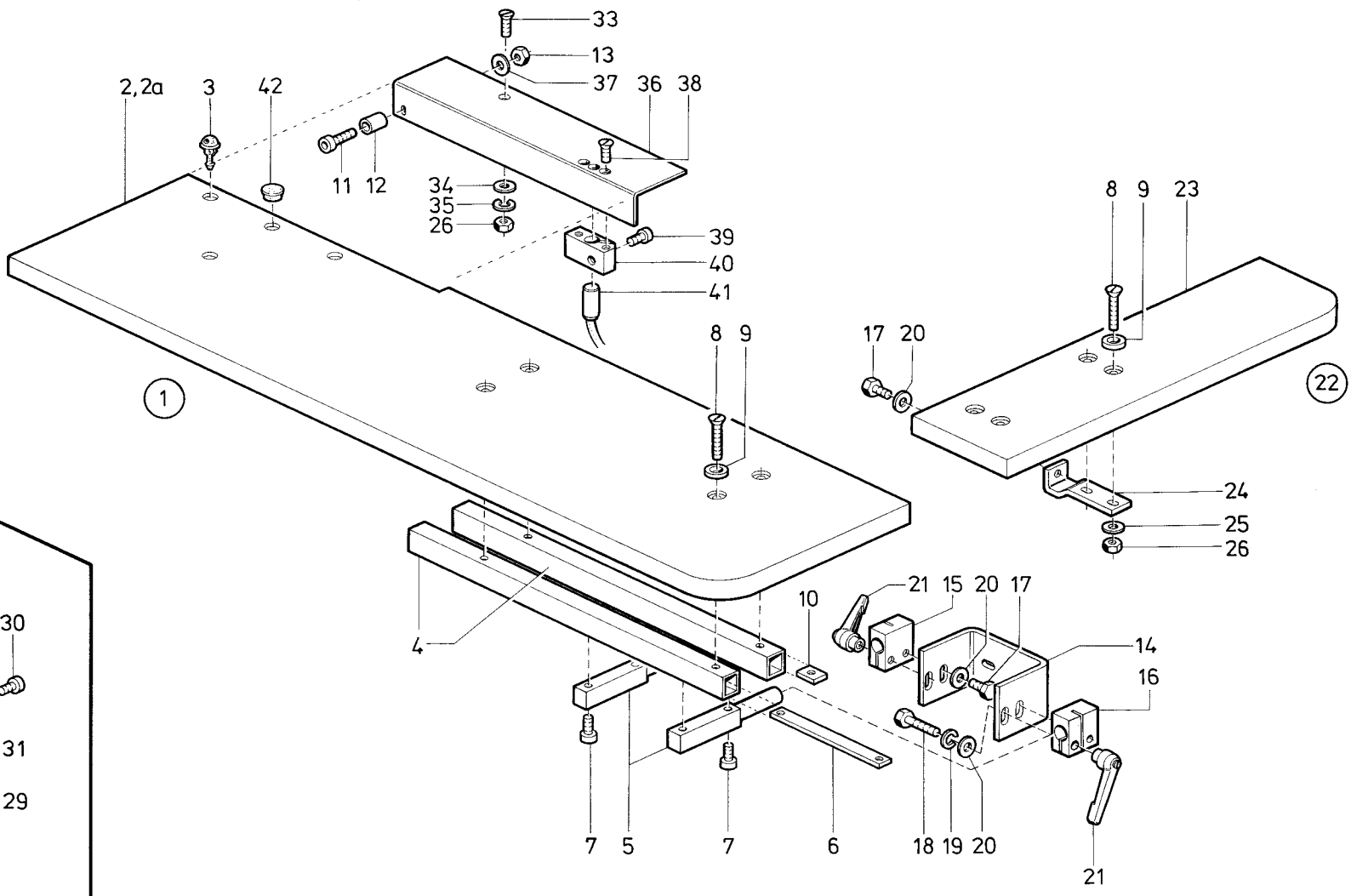
| Pos. Det. | Teile Nr. Part No. | Benennung | Denomination |
|-----------|--------------------|-----------|--------------|
|-----------|--------------------|-----------|--------------|

| Pos. Det. | Teile Nr. Part No. | Benennung | Denomination |
|-----------|--------------------|-----------|--------------|
|-----------|--------------------|-----------|--------------|





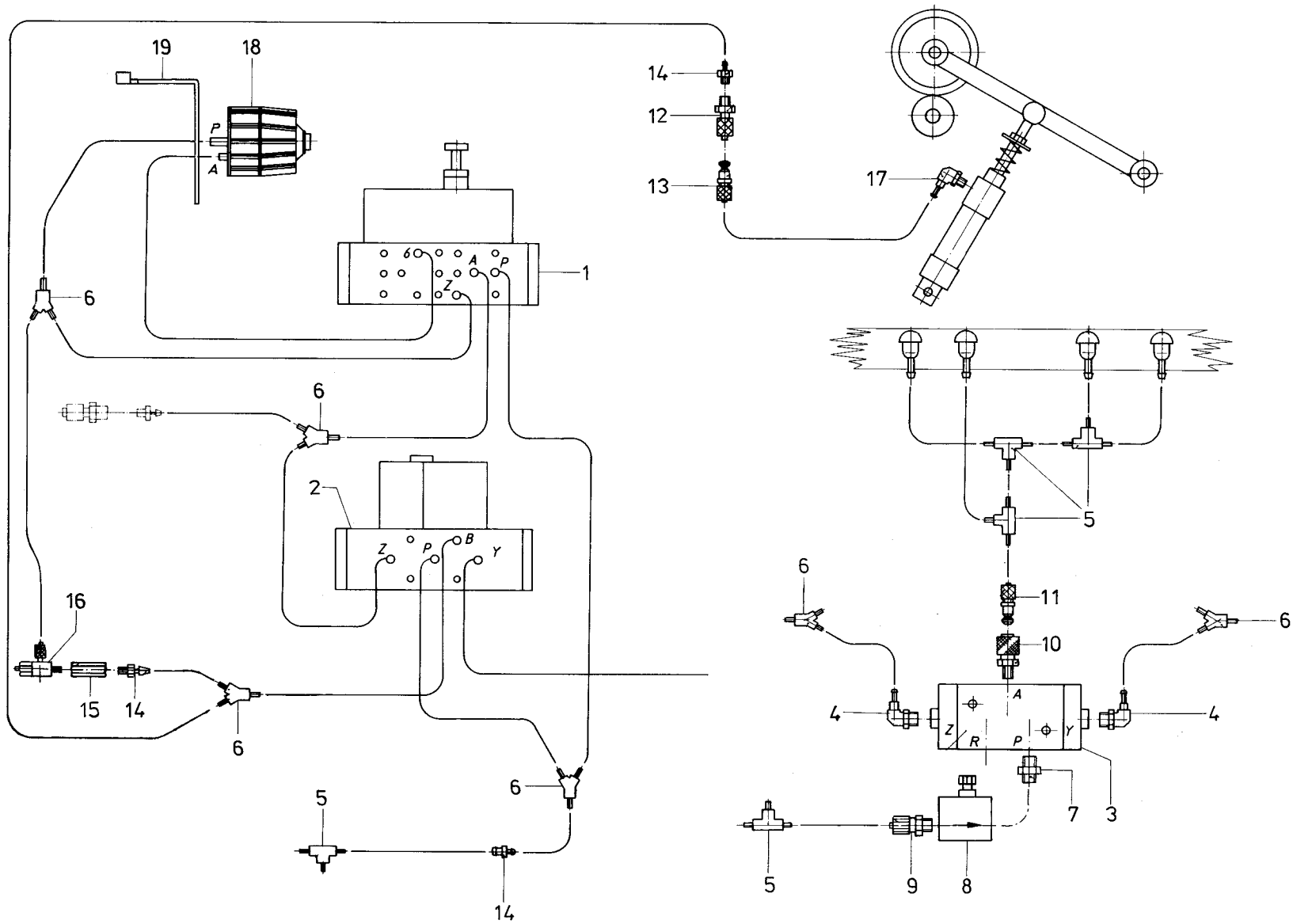




| Pos. Det. | Teile Nr. Part No. | Benennung  | Denomination   |
|-----------|--------------------|--|--|
|           |                    | <b>Rollüberwurfstapler</b>   | <b>Roll and throw-over stacker</b>   |
|           | 7945951            | Tischverbreiterung kpl. (best. aus Pos. 2a, 4 bis 21, 22, 42)                | Table extension cpl. (cons. of pos. 2a, 4 up to 21, 22, 42)                    |
| 1         | 7945742            | Tischverbreiterung, links, kpl. (best. aus Pos. 2 bis 21)                    | Table extension, left hand, cpl. (cons. of pos. 2 up to 21)                    |
| 2         | 7945745            | Tischverbreiterung kpl. (mit Pos. 3)   | Table extension cpl. (with pos. 3)   |
| 2a        | 7005007            | Tischverbreiterung   | Table extension  |
| 3         | 71811              | Düsenverteiler   | Nozzle distributor   |
| 4         | 7945748            | Holm   | String piece   |
| 5         | 7945749            | Bolzen   | Bolt   |
| 6         | 7945750            | Gewindelassche   | Threaded shackle   |
| 7         | 911376             | Zyl.-Schraube  | Cyl. head screw  |
| 8         | 7443324            | Senkschraube   | Countersunk screw  |
| 9         | 739163             | Scheibe  | Washer   |
| 10        | 7942168            | Gewindeplatte  | Threaded plate   |
| 11        | 5701594            | Zyl.-Schraube  | Cyl. head screw  |
| 12        | 558312a            | Buchse   | Bushing  |
| 13        | MG 43/409          | 6kt.-Mutter  | Hexagonal nut  |
| 14        | 7945761            | Haltewinkel  | Holding angle  |
| 15        | 7945763            | Klemmstück, links  | Clamping piece, left hand  |
| 16        | 7945764            | Klemmstück, rechts   | Clamping piece, right hand   |
| 17        | App. 20160         | 6kt.-Schraube  | Hexagonal screw  |
| 18        | 7945766            | 6kt.-Schraube  | Hexagonal screw  |
| 19        | 7441017            | federring  | Spring ring  |
| 20        | 72043              | Scheibe  | Washer   |
| 21        | 7421741            | Klemmhebel   | Clamping lever   |
| 22        | 7945743            | Tischverbreiterung, vorn, kpl. (best. aus Pos. 8, 9, 17, 20, 23, 24, 25, 26) | Table extension, front side, cpl. (cons. of pos. 8, 9, 17, 20, 23, 24, 25, 26) |
| 23        | 7005008            | Tischverbreiterung   | Table extension  |
| 24        | 7942103            | Halter   | Holder   |
| 25        | 7441318            | Scheibe  | Washer   |
| 26        | 74450244           | 6kt.-Mutter  | Hexagonal nut  |
| 27        | 798700163          | Leitungssatz (für Rollüberwurfstapler) kpl.                                  | Set cpl. (for Roll and throw-over stacker) cpl.                                |
| 28        | MG 41/3041         | Iso-Gehäuse  | Iso-Housing  |
| 29        | 798427002          | Schalter-Einsatz   | Switch insert  |

| Pos. Det. | Teile Nr. Part No. | Benennung         | Denomination           |
|-----------|--------------------|-------------------|------------------------|
| 30        | 7441968            | Zyl.-Schraube     | Cyl. head screw        |
| 31        | 5691895            | Scheibe           | Washer                 |
| 32        | 2401129            | Würgenippel       | Twist nipple           |
| 33        | 570939a            | Senkschraube      | Countersunk screw      |
| 34        | 739595             | Scheibe           | Washer                 |
| 35        | 7441426            | Federring         | Spring ring            |
| 36        | 7942111            | Auflagewinkel     | Supporting plate       |
| 37        | 557263             | Scheibe           | Washer                 |
| 38        | 55613020           | Senkschraube      | Countersunk screw      |
| 39        | 798122808          | Zyl.-Schraube     | Cyl. head screw        |
| 40        | 798126009          | Klemmstück        | Clamping piece         |
| 41        | 798360209          | Lichtschr.-Sender | Light barrier receiver |
| 42        | 10011162           | Hutstopfen        | Cap                    |

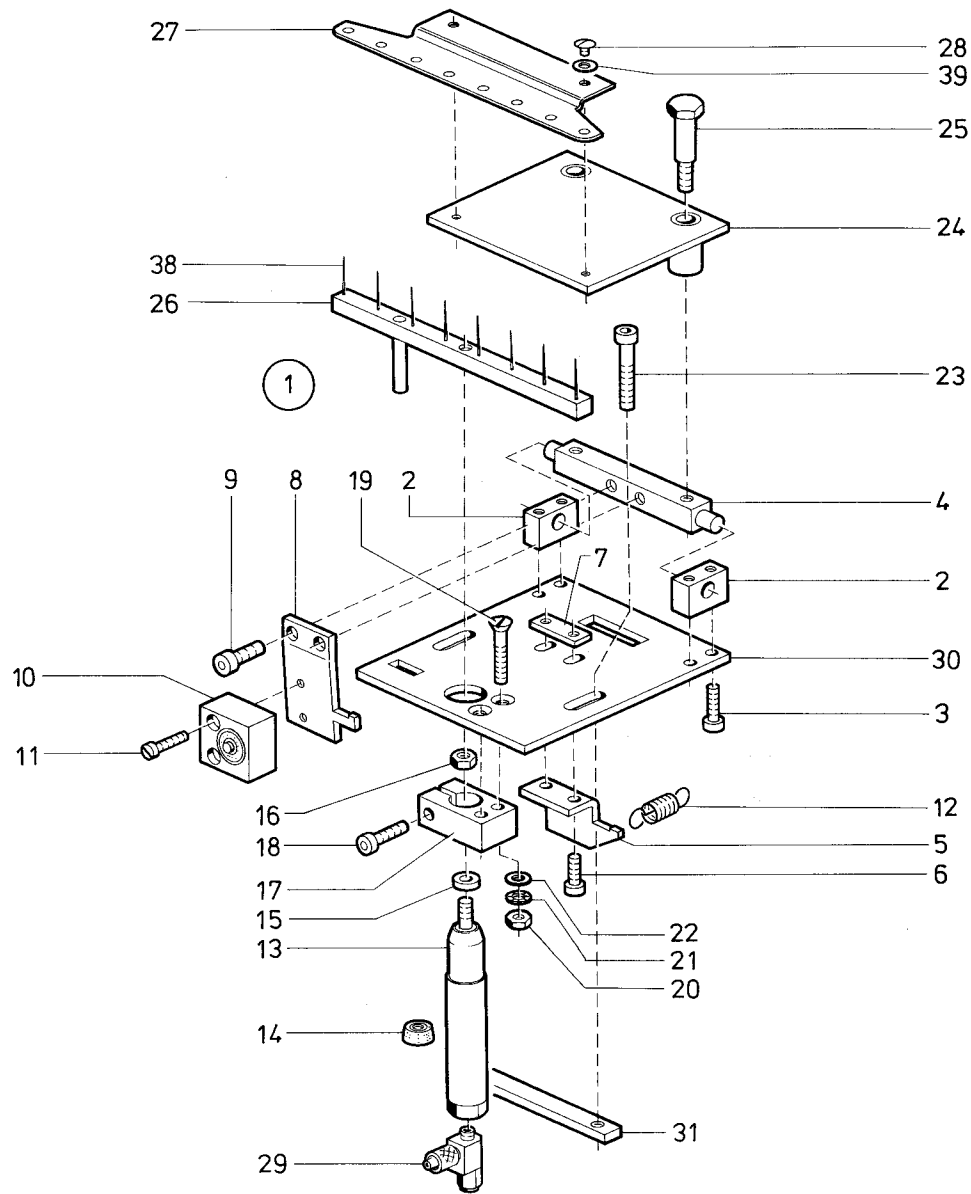
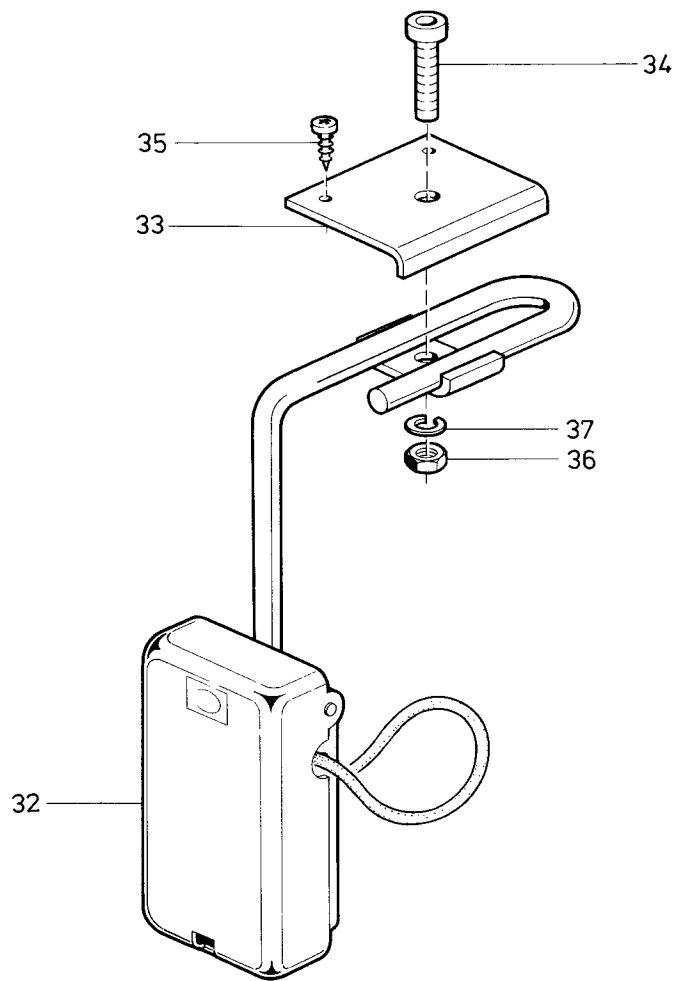
| Pos. Det. | Teile Nr. Part No. | Benennung | Denomination |
|-----------|--------------------|-----------|--------------|
|-----------|--------------------|-----------|--------------|



| Pos. Det. | Teile Nr. Part No. | Benennung                      | Denomination                       |
|-----------|--------------------|--------------------------------|------------------------------------|
|           |                    | <b>Rollüberwurfstapler</b>     | <b>Roll and throw-over stacker</b> |
| 1         | 797240*            | Zeitventil                     | Timing valve                       |
| 2         | 797215*            | 3/2-Wegeventil                 | 3/2-Spool valve                    |
| 3         | 797209             | 3/2-Wegeventil                 | 3/2-Spool valve                    |
| 4         | 7972252            | Schl.-Verschr.                 | Hose coupling screw                |
| 5         | 7972214            | T-Verbindung                   | T-connector                        |
| 6         | 7972201            | Y-Vervindung                   | Y-connector                        |
| 7         | 7441819            | Doppelnippel                   | Double nipple                      |
| 8         | 7441820            | Drosselventil                  | Throttle valve                     |
| 9         | 74423566           | Schl.-Verschr.                 | Hose coupling screw                |
| 10        | 7449802            | Kupplungsdose                  | Coupler socket                     |
| 11        | 7449780            | Kupplungsstecker               | Coupler plug                       |
| 12        | 7449801            | Kupplungsdose                  | Coupler socket                     |
| 13        | 7449779            | Steckteil                      | Plug-piece                         |
| 14        | 7972016            | Schlauchtülle                  | Hose nozzle                        |
| 15        | 93374261           | Muffe                          | Bushing                            |
| 16        | 797411             | Drosselventil                  | Throttle valve                     |
| 17        | 746768             | Schl.-Verschr.                 | Hose coupling screw                |
| 18        | 797417*            | Drosselventil                  | Throttle valve                     |
| 19        | 7942335*           | Halteblech                     | Holding plate                      |
|           |                    | * Auch für Staplerzusatzgerät! | * Also for Stacker supplement!     |

| Pos. Det. | Teile Nr. Part No. | Benennung | Denomination |
|-----------|--------------------|-----------|--------------|
|-----------|--------------------|-----------|--------------|

| Pos. Det. | Teile Nr. Part No. | Benennung | Denomination |
|-----------|--------------------|-----------|--------------|
|-----------|--------------------|-----------|--------------|

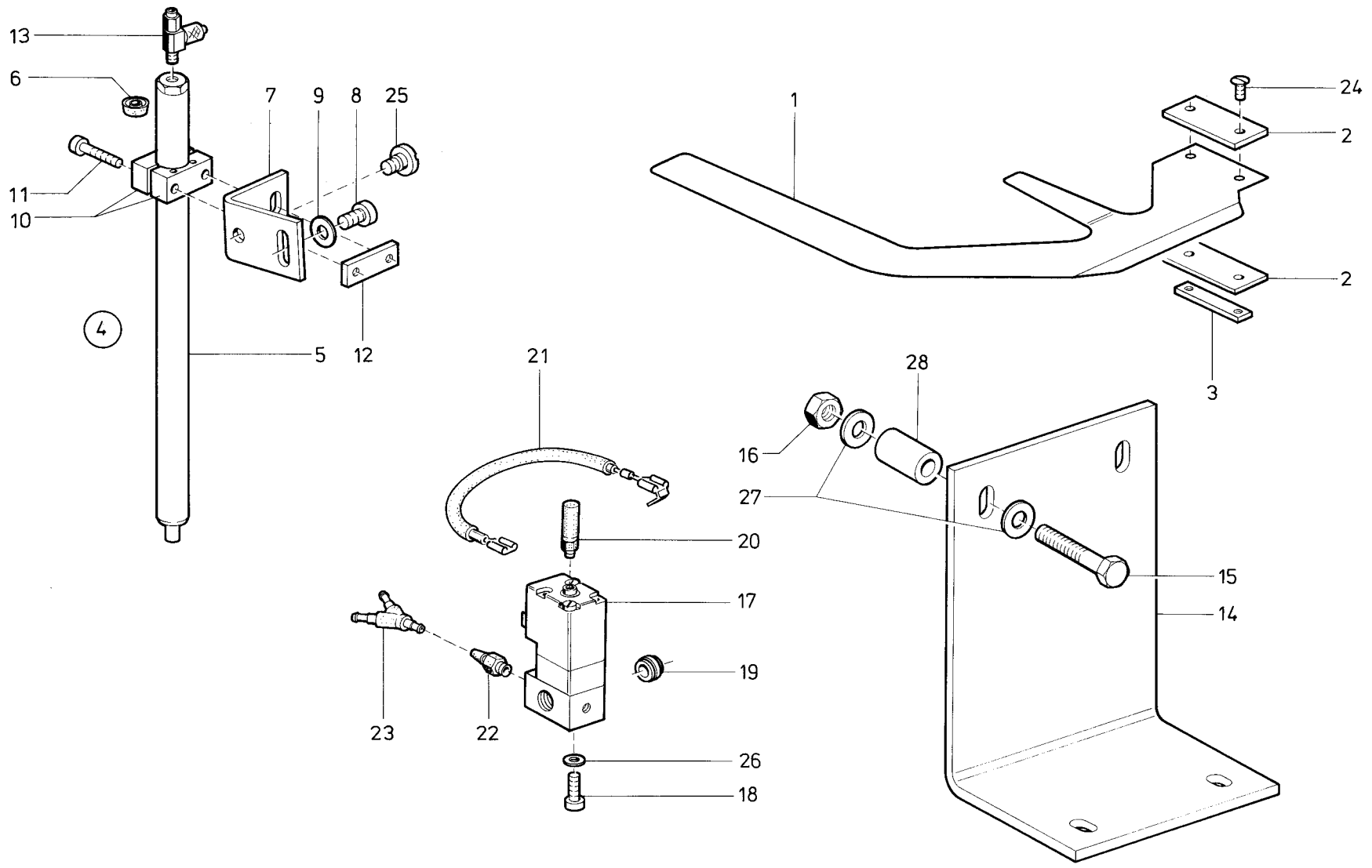


| Pos. Det. | Teile Nr. Part No. | Benennung   | Denomination  |
|-----------|--------------------|---|---|
|           | 7941201            | <b>Klemmvorrichtung für Hinterhose und Taschenbeutel kpl.</b> | <b>Clamping device for rear trousers and pocket bags cpl.</b> |
| 1         | 7941004            | Stoffhalter kpl.<br>(best. aus Pos. 2 bis 31)                 | Cloth holder cpl.<br>(cons. of pos. 2 up to 31)               |
| 2         | 7941008            | Lagerbock   | Bearing block   |
| 3         | 7441968            | Zyl.-Schraube   | Cyl. head screw   |
| 4         | 7941011            | Achse   | Axle  |
| 5         | 7941014            | Winkel  | Angle   |
| 6         | 570912             | Zyl.-Schraube   | Cyl. head screw   |
| 7         | 570907             | Gewindelasche   | Threaded shackle  |
| 8         | 7941021            | Hebel   | Lever   |
| 9         | 93311296           | Zyl.-Schraube   | Cyl. head screw   |
| 10        | 7971030            | Kurzhubzylinder   | Cylinder  |
| 11        | 246369             | Zyl.-Schraube   | Cyl. head screw   |
| 12        | 7941029            | Zugfeder  | Draw spring   |
| 13        | 7941031            | Zylinder kpl.<br>(mit Pos. 14, 15, 16)                        | Cylinder cpl.<br>(with pos. 14, 15, 16)                       |
| 14        | 246348             | Lippenring  | Lip seal  |
| 15        | 5511802            | Scheibe   | Washer  |
| 16        | 237202             | 6kt.-Mutter   | Hexagonal nut   |
| 17        | 74611287           | Klemmstück kpl.<br>(mit Pos. 18)                              | Clamping piece cpl.<br>(with pos. 18)                         |
| 18        | 7461212            | Zyl.-Schraube   | Cyl. head screw   |
| 19        | 71910              | Senkschraube  | Countersunk screw   |
| 20        | 202704             | 6kt.-Mutter   | Hexagonal nut   |
| 21        | 911267             | Zahnscheibe   | Tooth lock washer   |
| 22        | 5691895            | Scheibe   | Washer  |
| 23        | 2386530            | Zyl.-Schraube   | Cyl. head screw   |
| 24        | 7941071            | Platte  | Plate   |
| 25        | 7941076            | Ansatzschraube  | Shoulder screw  |
| 26        | 7941049            | Klemmleiste kpl.<br>(mit Pos. 38)                             | Clamping reglet cpl.<br>(with pos. 38)                        |
| 27        | 7941078            | Klemmblech  | Clamping plate  |
| 28        | 911339             | Linsenschraube  | Fillister head screw  |
| 29        | 797411             | Drosselventil   | Throttle valve  |
| 30        | 7941006            | Bef.-Platte   | Fastening plate   |
| 31        | 74611295           | Gewindeleiste   | Threaded reglet   |
| 32        | 798783001          | Knieschalter  | Knee switch   |
| 33        | 74680011           | Platte  | Plate   |
| 34        | 74421026           | Zyl.-Schraube   | Cyl. head screw   |
| 35        | 7441115            | Blechschrabe  | Tin plate screw   |
| 36        | 72042a             | 6kt.-Mutter   | Hexagonal nut   |

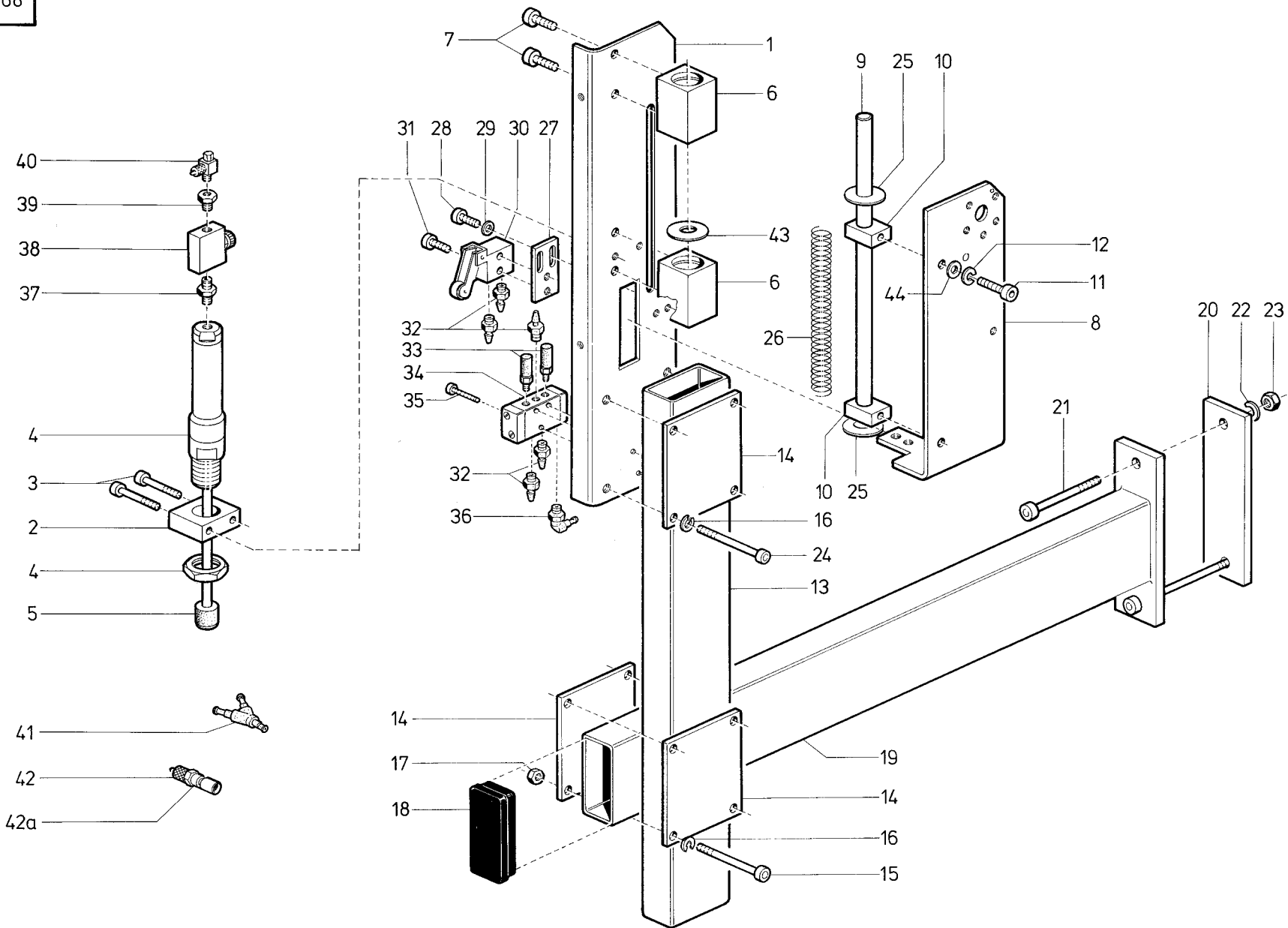
| Pos. Det. | Teile Nr. Part No. | Benennung | Denomination |
|-----------|--------------------|-----------|--------------|
| 37        | 725520b            | Federring | Spring ring  |
| 38        | 74650517           | Nadel     | Needle       |
| 39        | 1005233            | Scheibe   | Washer       |

| Pos. Det. | Teile Nr. Part No. | Benennung | Denomination |
|-----------|--------------------|-----------|--------------|
|-----------|--------------------|-----------|--------------|





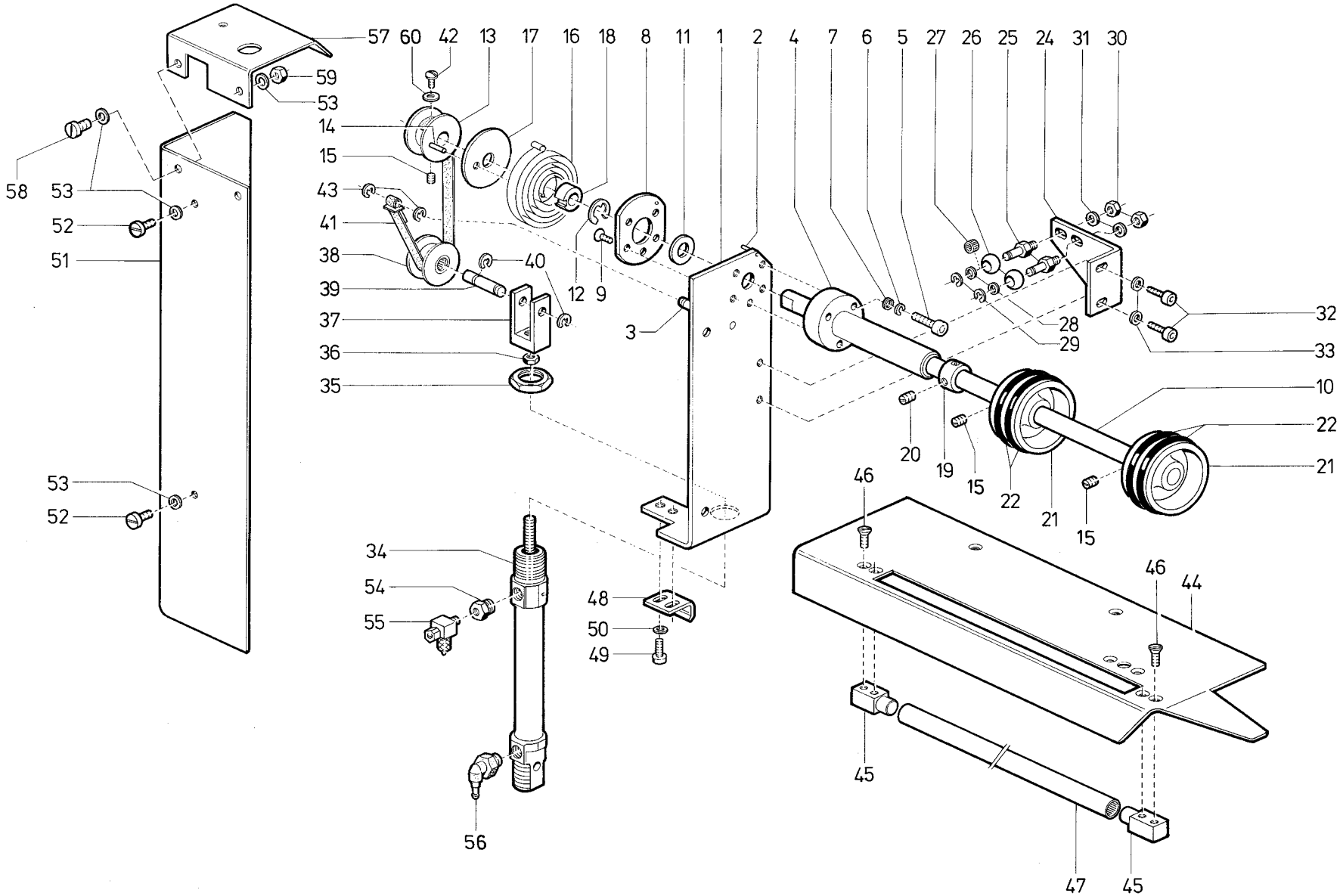




| Pos. Det. | Teile Nr. Part No. | Benennung                     | Denomination                   |
|-----------|--------------------|-------------------------------|--------------------------------|
|           | 794701             | <b>Abzugsvorrichtung kpl.</b> | <b>Pulling-off device cpl.</b> |
| 1         | 794706             | Seitenteil                    | Side part                      |
| 2         | 794708             | Bock                          | Support                        |
| 3         | P 12547            | Zyl.-Schraube                 | Cyl. head screw                |
| 4         | 7443561            | Zylinder kpl.                 | Cylinder cpl.                  |
| 5         | 7422175            | Druckstück                    | Pressure piece                 |
| 6         | 794715             | Lager kpl.                    | Bearing cpl.                   |
| 7         | 7441509            | Zyl.-Schraube                 | Cyl. head screw                |
| 8         | 794724             | Schieber                      | Slide                          |
| 9         | 794771             | Stange                        | Rod                            |
| 10        | 794767             | Bock                          | Support                        |
| 11        | 2386530            | Zyl.-Schraube                 | Cyl. head screw                |
| 12        | 719124             | Federring                     | Spring ring                    |
| 13        | 794857             | Rohr                          | Pipe                           |
| 14        | 794871             | Platte                        | Plate                          |
| 15        | 7441176            | Zyl.-Schraube                 | Cyl. head screw                |
| 16        | 7441131            | Federring                     | Spring ring                    |
| 17        | MG 43/409          | 6kt.-Mutter                   | Hexagonal nut                  |
| 18        | 71811043           | Verschlußkappe                | Cap                            |
| 19        | 794861             | Ständer                       | Stand                          |
| 20        | 794866             | Lasche                        | Shackle                        |
| 21        | 7425038            | Zyl.-Schraube                 | Cyl. head screw                |
| 22        | 725520b            | Federring                     | Spring ring                    |
| 23        | 72042a             | 6kt.-Mutter                   | Hexagonal nut                  |
| 24        | 7461077            | Zyl.-Schraube                 | Cyl. head screw                |
| 25        | 74242857           | Scheibe                       | Washer                         |
| 26        | 794774             | Druckfeder                    | Pressure spring                |
| 27        | 794883             | Platte                        | Plate                          |
| 28        | 265565             | Zyl.-Schraube                 | Cyl. head screw                |
| 29        | 74450243           | Scheibe                       | Washer                         |
| 30        | Z 112611           | Rollenventil                  | Roll-valve                     |
| 31        | 933182             | Zyl.-Schraube                 | Cyl. head screw                |
| 32        | 7972016            | Schlauchtülle                 | Hose nozzle                    |
| 33        | Z 11649            | Schalldämpfer                 | Silencer                       |
| 34        | 797210             | 5/2-Wege-Ventil               | 5/2-Distributor valve          |
| 35        | 558631             | Zyl.-Schraube                 | Cyl. head screw                |
| 36        | 746768             | L-Verschr.                    | L-coupling screw               |
| 37        | 74441819           | Doppelnippel                  | Double nipple                  |
| 38        | 7441820            | Drosselventil                 | Throttle valve                 |
| 39        | Z 120362           | Reduzierstück                 | Reducing piece                 |
| 40        | 797412             | Drosselventil                 | Throttle valve                 |
| 41        | 7972201            | Y-Verbindung                  | Y-Connection                   |
| 42        | 7449779            | Kupplungsstecker 3 Ø          | Plug 3 mm Ø                    |

| Pos. Det. | Teile Nr. Part No. | Benennung            | Denomination |
|-----------|--------------------|----------------------|--------------|
| 42a       | 7449780            | Kupplungsstecker 4 Ø | Plug 4 mm Ø  |
| 43        | 7461207            | Scheibe              | Washer       |
| 44        | 024275             | Scheibe              | Washer       |

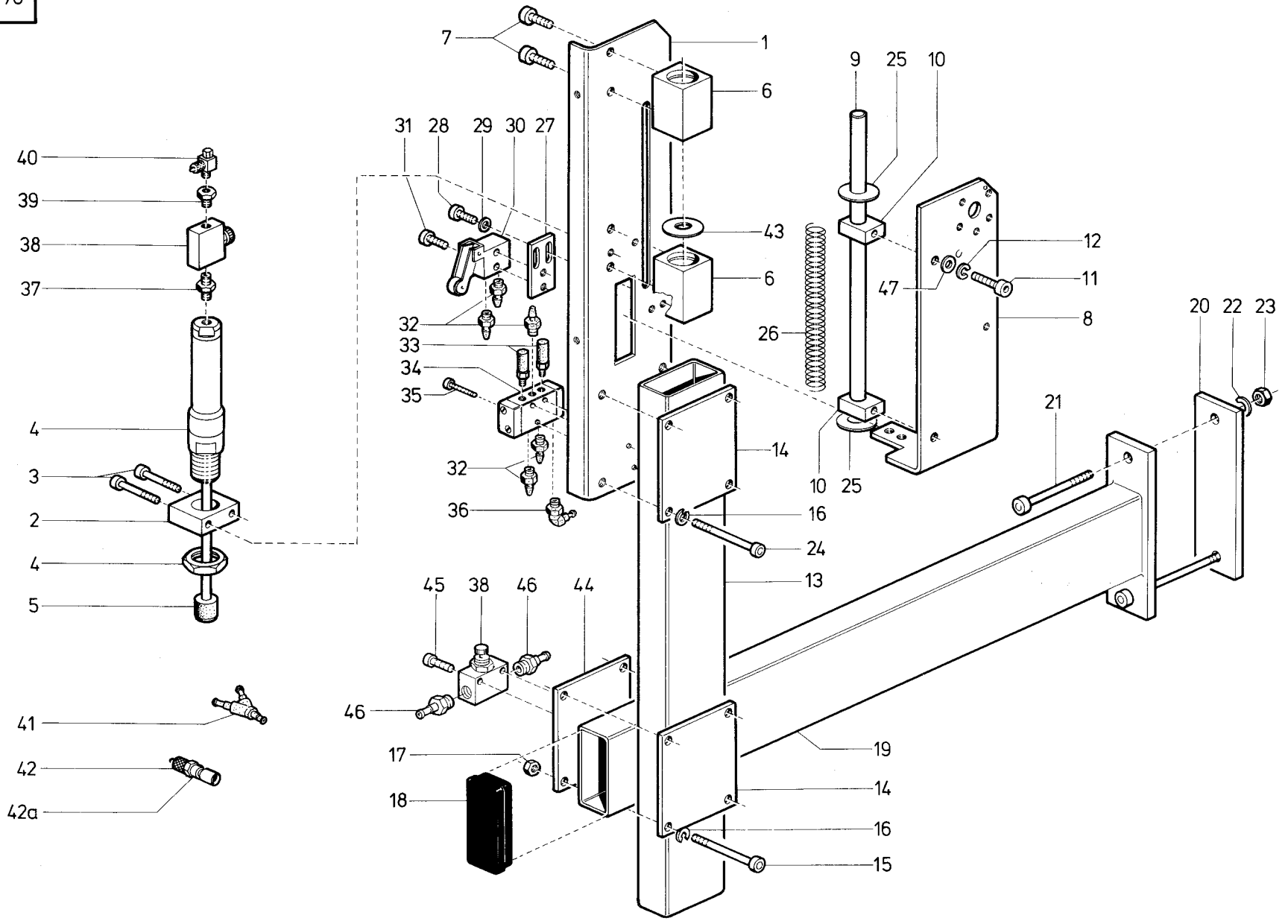
| Pos. Det. | Teile Nr. Part No. | Benennung | Denomination |
|-----------|--------------------|-----------|--------------|
|-----------|--------------------|-----------|--------------|



| Pos. Det. | Teile Nr. Part No. | Benennung                       | Denomination                      |
|-----------|--------------------|---------------------------------|-----------------------------------|
|           |                    | <b>Abzugsvorrichtung</b>        | <b>Pulling-off device</b>         |
| 1         | 794724             | Schieber                        | Slide                             |
| 2         | 5581106            | Spannhülse                      | Clamping sleeve                   |
| 3         | 794725             | Bolzen                          | Bolt                              |
| 4         | 794728             | Lager                           | Bearing                           |
| 5         | 2386530            | Zyl.-Schraube                   | Cyl. head screw                   |
| 6         | 719124             | Federring                       | Spring ring                       |
| 7         | 024275             | Scheibe                         | Washer                            |
| 8         | 294737             | Scheibe                         | Washer                            |
| 9         | 2658554            | Senkschraube                    | Countersunk screw                 |
| 10        | 794743             | Welle                           | Shaft                             |
| 11        | MG 4/6             | Scheibe                         | Washer                            |
| 12        | 265289             | Sicher.-Scheibe                 | Lock washer                       |
| 13        | 794748             | Rolle                           | Roller                            |
| 14        | 5581105            | Spannhülse                      | Clamping sleeve                   |
| 15        | 531471             | Gewindestift                    | Threaded stud                     |
| 16        | 794751             | Feder                           | Spring                            |
| 17        | 794752             | Scheibe                         | Washer                            |
| 18        | 794753             | Zwischenring                    | Spacer                            |
| 19        | 570791             | Stellring kpl.<br>(mit Pos. 20) | Set collar cpl.<br>(with pos. 20) |
| 20        | 223646             | Gewindestift                    | Threaded stud                     |
| 21        | 794762             | Rolle                           | Roller                            |
| 22        | 74422565           | O-Ring                          | O-Ring                            |
| 24        | 794777             | Winkel                          | Angle                             |
| 25        | 794779             | Bolzen                          | Bolt                              |
| 26        | 93379123           | Rolle                           | Roller                            |
| 27        | 93379124           | Nadelhülse                      | Needle sleeve                     |
| 28        | 024275             | Scheibe                         | Washer                            |
| 29        | 570138             | Sicher.-Scheibe                 | Lock washer                       |
| 30        | 2522389            | 6kt.-Mutter                     | Hexagonal nut                     |
| 31        | 557263             | Scheibe                         | Washer                            |
| 32        | 265565             | Zyl.-Schraube                   | Cyl. head screw                   |
| 33        | 74450243           | Scheibe                         | Washer                            |
| 34        | 794801             | Zylinder                        | Cylinder                          |
| 35        | 794802             | 6kt.-Mutter                     | Hexagonal nut                     |
| 36        | 72042a             | 6kt.-Mutter                     | Hexagonal nut                     |
| 37        | 794806             | Gabelkopf                       | Fork head                         |
| 38        | 794808             | Rolle                           | Roller                            |
| 39        | 794813             | Bolzen                          | Bolt                              |
| 40        | 93002119           | Sicher.-Scheibe                 | Lock washer                       |
| 41        | 794816             | Zugband                         | Tape                              |
| 42        | 9441366            | Linsenschraube                  | Fillister head screw              |
| 43        | 570138             | Sicher.-Scheibe                 | Lock washer                       |

| Pos. Det. | Teile Nr. Part No. | Benennung      | Denomination        |
|-----------|--------------------|----------------|---------------------|
| 44        | 794843             | Auflagewinkel  | Support angle       |
| 45        | 794845             | Lagerbock      | Pillow block        |
| 46        | 5702382            | Senkschraube   | Countersunk screw   |
| 47        | 794851             | Rohr           | Pipe                |
| 48        | 794881             | Winkel         | Angle               |
| 49        | 265565             | Zyl.-Schraube  | Cyl. head screw     |
| 50        | 74450243           | Scheibe        | Washer              |
| 51        | 794915             | Schutzblech    | Guard plate         |
| 52        | 746879             | Zyl.-Schraube  | Cyl. head screw     |
| 53        | 74450243           | Scheibe        | Washer              |
| 54        | Z 120362           | Reduzierstück  | reducing piece      |
| 55        | 797412             | Drosselventil  | Throttle valve      |
| 56        | 7942252            | Schl.-Verschr. | Hose coupling screw |
| 57        | 794916             | Schutzkappe    | Protective cap      |
| 58        | 265565             | Zyl.-Schraube  | Cyl. head screw     |
| 59        | 74450244           | 6kt.-Mutter    | Hexagonal nut       |
| 60        | 556815a            | Scheibe        | Washer              |

| Pos. Det. | Teile Nr. Part No. | Benennung | Denomination |
|-----------|--------------------|-----------|--------------|
|-----------|--------------------|-----------|--------------|

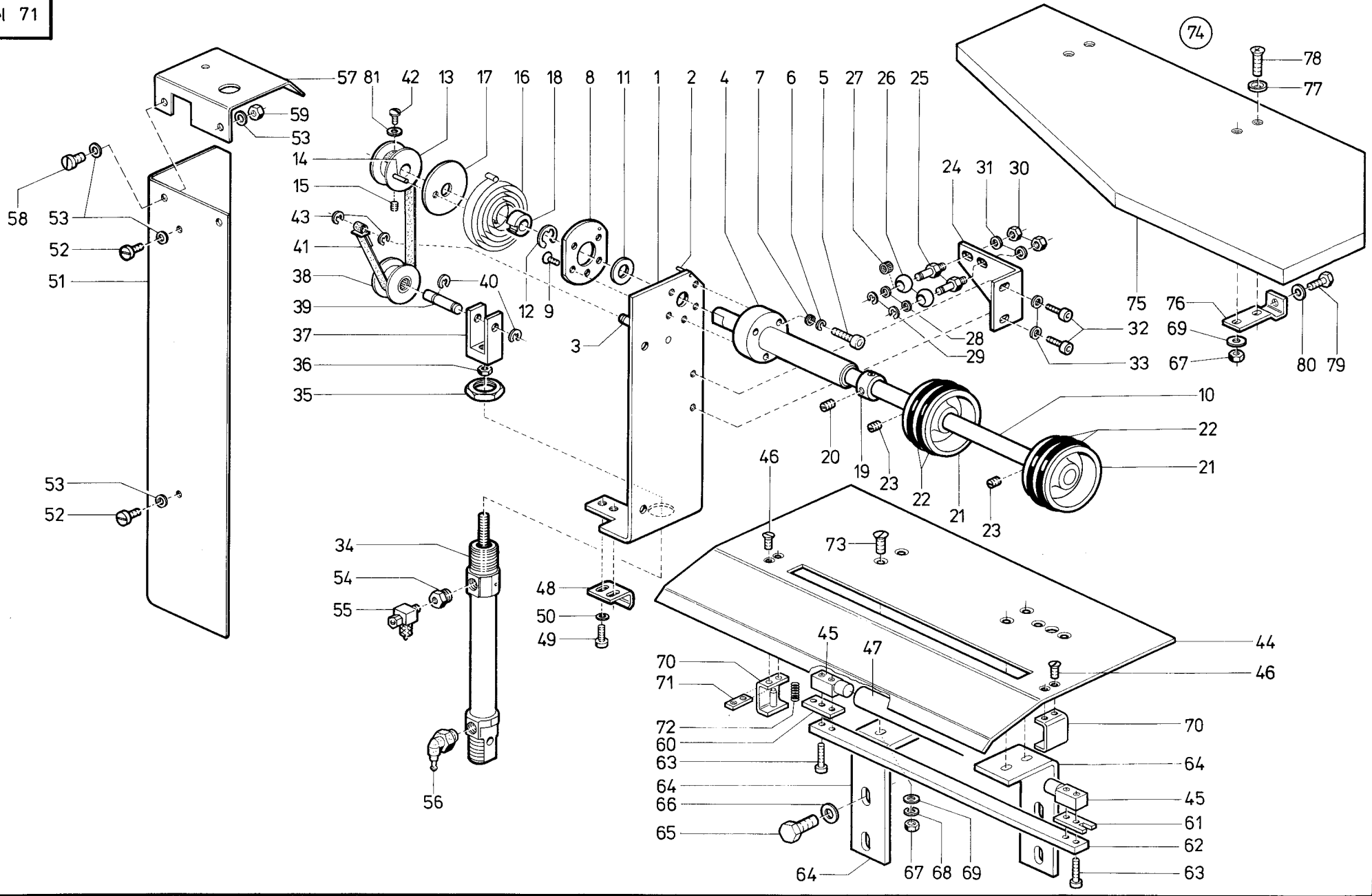


| Pos. Det. | Teile Nr. Part No. | Benennung                  | Denomination               |
|-----------|--------------------|----------------------------|----------------------------|
|           | 7942291            | <b>Staplerzusatzgerät*</b> | <b>Stacker supplement*</b> |
| 1         | 794706             | Seitenteil                 | Side part                  |
| 2         | 794708             | Bock                       | Support                    |
| 3         | P 12547            | Zyl.-Schraube              | Cyl. head screw            |
| 4         | 7443561            | Zylinder kpl.              | Cylinder cpl.              |
| 5         | 7422175            | Druckstück                 | Pressure piece             |
| 6         | 794715             | Lager kpl.                 | Bearing cpl.               |
| 7         | 7441509            | Zyl.-Schraube              | Cyl. head screw            |
| 8         | 794724             | Schieber                   | Slide                      |
| 9         | 794771             | Stange                     | Rod                        |
| 10        | 794767             | Bock                       | Support                    |
| 11        | 2386530            | Zyl.-Schraube              | Cyl. head screw            |
| 12        | 719124             | Federring                  | Spring ring                |
| 13        | 794857             | Rohr                       | Tube                       |
| 14        | 794871             | Platte                     | Plate                      |
| 15        | 7441176            | Zyl.-Schraube              | Cyl. head screw            |
| 16        | 7441131            | Federring                  | Spring ring                |
| 17        | MG 43/409          | 6kt.-Mutter                | Hexagonal nut              |
| 18        | 71811043           | Verschlußkappe             | Cap                        |
| 19        | 794861             | Ständer                    | Stand                      |
| 20        | 794866             | Lasche                     | Shackle                    |
| 21        | 7425038            | Zyl.-Schraube              | Cyl. head screw            |
| 22        | 725520b            | Federring                  | Spring ring                |
| 23        | 72042a             | 6kt.-Mutter                | Hexagonal nut              |
| 24        | 7461077            | Zyl.-Schraube              | Cyl. head screw            |
| 25        | 74242857           | Scheibe                    | Washer                     |
| 26        | 794774             | Druckfeder                 | Pressure spring            |
| 27        | 794883             | Platte                     | Plate                      |
| 28        | 265565             | Zyl.-Schraube              | Cyl. head screw            |
| 29        | 74450243           | Scheibe                    | Washer                     |
| 30        | Z 112611           | Rollenventil               | Roll-valve                 |
| 31        | 933182             | Zyl.-Schraube              | Cyl. head screw            |
| 32        | 7972016            | Schauchtülle               | Hose nozzle                |
| 33        | Z 11649            | Schalldämpfer              | Silencer                   |
| 34        | 797210             | 5/2-Wege-Ventil            | 5/2-Distributor valve      |
| 35        | 558631             | Zyl.-Schraube              | Cyl. head screw            |
| 36        | 746768             | Schl.-Verschr.             | Hose coupling screw        |
| 37        | 74441819           | Doppelnippel               | Double nipple              |
| 38        | 7441820            | Drosselventil              | Double nipple              |
| 39        | Z 120362           | Reduzierstück              | Reducing piece             |
| 40        | 797412             | Drosselventil              | Throttle valve             |
| 41        | 7972201            | Y-Verbindung               | Y-Connection               |
| 42        | 7449779            | Kupplungsstecker 3 Ø       | Coupler plug 3 mm Ø        |
| 43        | 7461207            | Scheibe                    | Washer                     |

| Pos. Det. | Teile Nr. Part No. | Benennung                                       | Denomination                               |
|-----------|--------------------|---|--|
| 44        | 7942315            | Platte  | Plate                                      |
| 45        | 211496             | Zyl.-Schraube                                   | Cyl. head screw                            |
| 46        | 7422238            | Schl.-Verschr.                                  | Hose coupling screw                        |
| 42        | 024275             | Scheibe   | Washer                                     |
|           |                    | <b>* Pneumatische Teile<br/>siehe Tafel 65!</b> | <b>* Pneumatic parts<br/>see table 65!</b> |

| Pos. Det. | Teile Nr. Part No. | Benennung | Denomination |
|-----------|--------------------|-----------|--------------|
|           |                    |           |              |

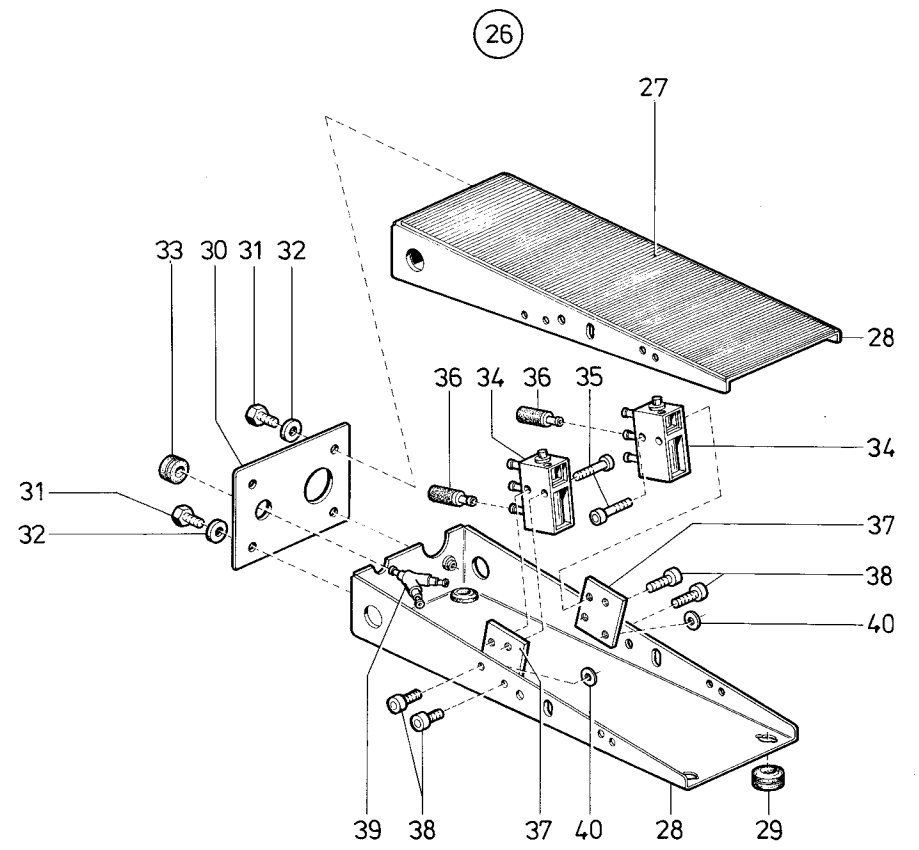
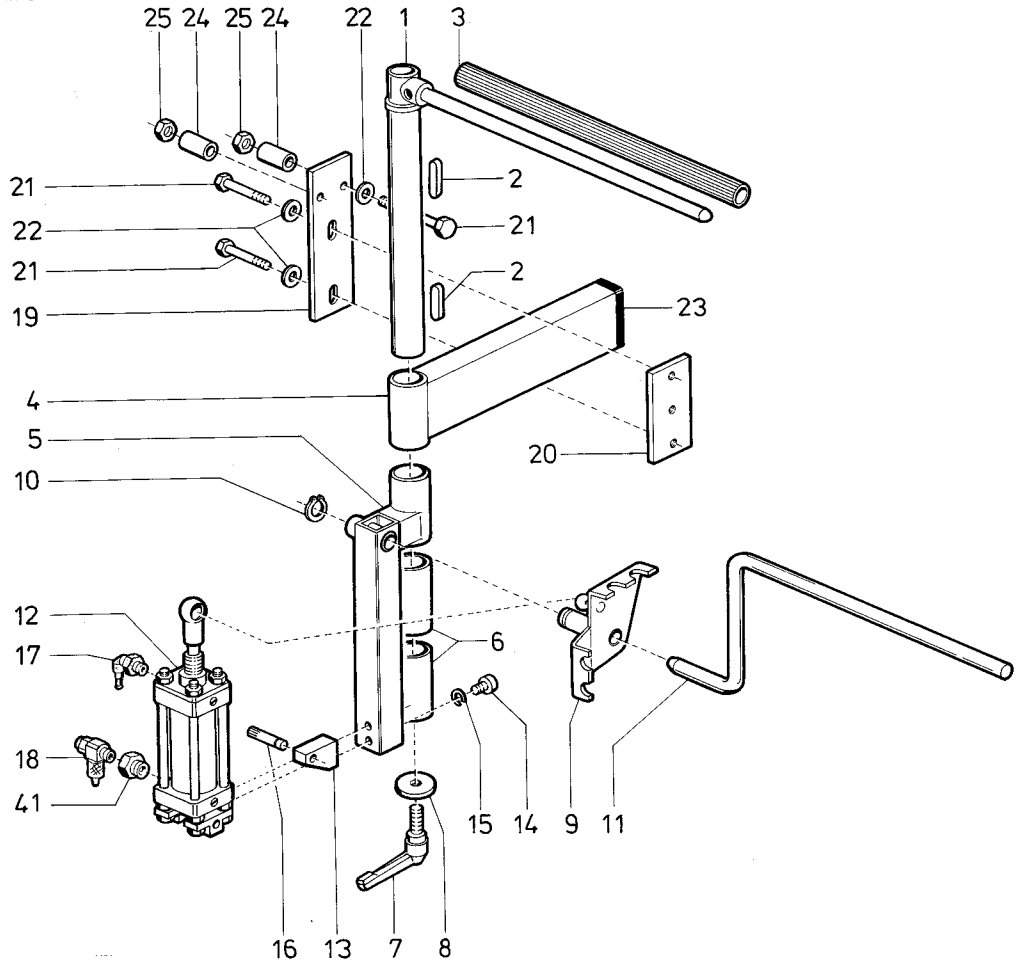




| Pos. Det. | Teile Nr. Part No. | Benennung                       | Denomination                      |
|-----------|--------------------|---------------------------------|-----------------------------------|
|           |                    | <b>Staplerzusatzgerät</b>       | <b>Stacker supplement</b>         |
| 1         | 794724             | Schieber                        | Sliede                            |
| 2         | 5581106            | Spannhülse                      | Clamping sleeve                   |
| 3         | 794725             | Bolzen                          | Bolt                              |
| 4         | 794728             | Lager                           | Bearing                           |
| 5         | 2386530            | Zyl.-Schraube                   | Cyl. head screw                   |
| 6         | 719124             | Federring                       | Spring ring                       |
| 7         | 024275             | Scheibe                         | Washer                            |
| 8         | 294737             | Scheibe                         | Washer                            |
| 9         | 2658554            | Senkschraube                    | Countersunk screw                 |
| 10        | 794743             | Welle                           | Shaft                             |
| 11        | MG 4/6             | Scheibe                         | Washer                            |
| 12        | 265289             | Sicher.-Scheibe                 | Lock washer                       |
| 13        | 794748             | Rolle                           | Roll                              |
| 14        | 5581105            | Spannhülse                      | Clamping sleeve                   |
| 15        | 531471             | Gewindestift                    | Threaded stud                     |
| 16        | 794751             | Feder                           | Leaf spring                       |
| 17        | 794752             | Scheibe                         | Washer                            |
| 18        | 794753             | Zwischenring                    | Spacer                            |
| 19        | 570791             | Stellring kpl.<br>(mit Pos. 20) | Set collar cpl.<br>(with pos. 20) |
| 20        | 223646             | Gewindestift                    | Threaded stud                     |
| 21        | 794762             | Rolle                           | Roll                              |
| 22        | 74422565           | Gummiring                       | Rubber ring                       |
| 23        | 2161146            | Gewindestift                    | Threaded stud                     |
| 24        | 794777             | Winke                           | Angle                             |
| 25        | 794779             | Bolzen                          | Bolt                              |
| 26        | 93379123           | Rolle                           | Roll                              |
| 27        | 93379124           | Nadelhülse                      | Needle sleeve                     |
| 28        | 024275             | Scheibe                         | Washer                            |
| 29        | 570138             | Sicher.-Scheibe                 | Lock washer                       |
| 30        | 2522389            | 6kt.-Mutter                     | Hexagonal nut                     |
| 31        | 557263             | Scheibe                         | Washer                            |
| 32        | 265565             | Zyl.-Schraube                   | Cyl. head screw                   |
| 33        | 74450243           | Scheibe                         | Washer                            |
| 34        | 794801             | Zylinder                        | Cylinder                          |
| 35        | 794802             | 6kt.-Mutter                     | Hexagonal nut                     |
| 36        | 72042a             | 6kt.-Mutter                     | Hexagonal nut                     |
| 37        | 794806             | Gabelkopf                       | Fork head                         |
| 38        | 794808             | Rolle                           | Roll                              |
| 39        | 794813             | Bolzen                          | Bolt                              |
| 40        | 93002119           | Sicher.-Scheibe                 | Lock washer                       |
| 41        | 794816             | Zugband                         | Tape                              |
| 42        | 9441366            | Linsenschraube                  | Fillister head screw              |

| Pos. Det. | Teile Nr. Part No. | Benennung  | Denomination   |
|-----------|--------------------|--|--|
| 43        | 570138             | Sicher.-Scheibe  | Lock washer  |
| 44        | 7942297            | Auflagewinkel  | Support angle  |
| 45        | 794845             | Lagerbock  | Bearing block  |
| 46        | 5702382            | Senkschraube   | Countersunk screw  |
| 47        | 794851             | Rohr   | Tube   |
| 48        | 794881             | Winkel   | Angle  |
| 49        | 265565             | Zyl.-Schraube  | Cyl. head screw  |
| 50        | 74450243           | Scheibe  | Washer   |
| 51        | 794915             | Schutzblech  | Guard plate  |
| 52        | 746879             | Zyl.-Schraube  | Cyl. head screw  |
| 53        | 74450243           | Scheibe  | Washer   |
| 54        | Z 120362           | Reduzierstück  | Reducing piece   |
| 55        | 797412             | Drosselventil  | Throttle valve   |
| 56        | 7942252            | Schl.-Verschr.   | Hose coupling screw  |
| 57        | 794916             | Schutzkappe  | Guard cap  |
| 58        | 265565             | Zyl.-Schraube  | Cyl. head screw  |
| 59        | 74450244           | 6kt.-Mutter  | Hexagonal nut  |
| 60        | 7942307            | Platte   | Plate  |
| 61        | 7942308            | Platte   | Plate  |
| 62        | 7942305            | Leiste   | Reglet   |
| 63        | P 12110            | Zyl.-Schraube  | Cyl. head screw  |
| 64        | 7942298            | Winkel   | Angle  |
| 65        | App. 20160         | 6kt.-Schraube  | Hexagonal screw  |
| 66        | 72043              | Scheibe  | Washer   |
| 67        | 74450244           | 6kt.-Mutter  | Hexagonal nut  |
| 68        | 7441426            | Federring  | Spring ring  |
| 69        | 739595             | Scheibe  | Washer   |
| 70        | 7942299            | Winkel   | Angle  |
| 71        | MG 43/6542         | Gewindeplatte  | Threaded plate   |
| 72        | 380237             | Druckfeder   | Pressure spring  |
| 73        | 570939a            | Senkschraube   | Countersunk screw  |
| 74        | 79442331           | Tischverbreiterung kpl.<br>(best. aus Pos. 67, 69,<br>75 bis 80) | Table extension cpl.<br>(cons. of pos. 67, 69,<br>75 up to 80) |
| 75        | 7005006            | Tischverbreiterung   | Table extension  |
| 76        | 7942103            | Halter   | Holder   |
| 77        | 7441318            | Scheibe  | Washer   |
| 78        | 7443324            | Senkschraube   | Countersunk screw  |
| 79        | App. 20160         | 6kt.-Schraube  | Hexagonal screw  |
| 80        | 72043              | Scheibe  | Washer   |
| 81        | 556815a            | Scheibe  | Washer   |

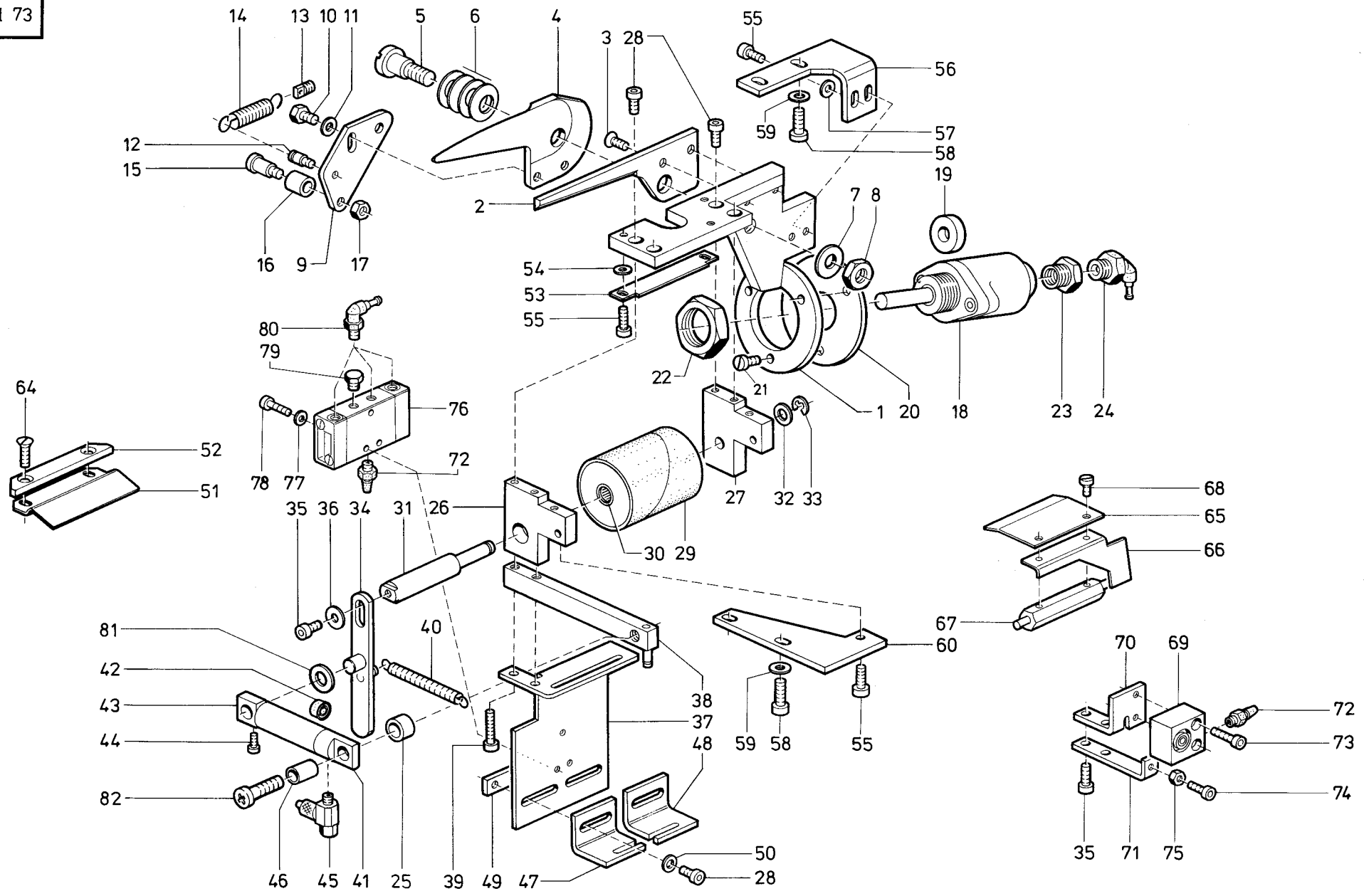
| Pos. Det. | Teile Nr. Part No. | Benennung | Denomination |
|-----------|--------------------|-----------|--------------|
|-----------|--------------------|-----------|--------------|



| Pos. Det. | Teile Nr. Part No. | Benennung  | Denomination                                       |
|-----------|--------------------|--|--|
|           | <b>7942201</b>     | <b>Pneum.-Bündelklammer, mit Fußventil</b>       | <b>Pneumatic bundle clamp, with foot valve</b>     |
| 1         | 7423114            | Klammerhalter                                    | Clamp holder                                       |
| 2         | 7423210            | Paßfeder   | Fitting key  |
| 3         | 0020071062100      | Schutzschlauch                                   | Guard hose   |
| 4         | 7942211            | Schwenkarm                                       | Pivot arm  |
| 5         | 7942213            | Lagerstück                                       | Bearing piece                                      |
| 6         | 7423017            | Buchse   | Bushing  |
| 7         | 7423018            | Klemmhebel                                       | Clamping lever                                     |
| 8         | 7423040            | Scheibe  | Washer   |
| 9         | 7427331            | Hebel  | Lever  |
| 10        | 7423137            | Sicher.-Ring                                     | Circlip  |
| 11        | 7423157            | Hebel  | Lever  |
| 12        | 7423148            | Zylinder   | Cylinder   |
| 13        | 7423275            | Lagerbock  | Bearing block                                      |
| 14        | 2194240            | Zyl.-Schraube                                    | Cyl. head screw                                    |
| 15        | 7441131            | Federring  | Spring ring  |
| 16        | 650336             | Kerbstift  | Dowel pin  |
| 17        | 7972252            | Schl.-verschr.                                   | Hose coupling screw                                |
| 18        | 797411             | Drosselventil                                    | Throttle valve                                     |
| 19        | 7942241            | Platte   | Plate  |
| 20        | 74611055           | Platte   | Plate  |
| 21        | MG 41/4620         | 6kt.-Schraube                                    | Hexagonal screw                                    |
| 22        | 72043              | Scheibe  | Washer   |
| 23        | 71811043           | Verschlußkappe                                   | Cap  |
| 24        | 5581771            | Hülse  | Sleeve   |
| 25        | 72042a             | 6kt.-Mutter                                      | Hexagonal nut                                      |
| 26        | <b>794112</b>      | <b>Fußventil kpl. (best. aus Pos. 27 bis 40)</b> | <b>Foot valve cpl. (cons. of pos. 27 up to 40)</b> |
| 27        | 79368394           | Platte   | Plate  |
| 28        | 79368395           | Winkelblech                                      | Angle sheet  |
| 29        | 798221022          | Durchführungsstülle                              | Nozzle   |
| 30        | 79368404           | Blattfeder                                       | Leaf spring  |
| 31        | 2401285            | 6kt.-Schraube                                    | Hexagonal screw                                    |
| 32        | 024275             | Scheibe  | Washer   |
| 33        | MG 41/8414         | Durchführungsstülle                              | Nozzle   |
| 34        | 79720              | Ventil   | Valve  |
| 35        | 7461212            | Zyl.-Schraube                                    | Cyl. head screw                                    |
| 36        | 7973194            | Schalldämpfer                                    | Silencer   |
| 37        | 794123             | Platte   | Plate  |
| 38        | 9339478            | Zyl.-Schraube                                    | Cyl. head screw                                    |
| 39        | 7972201            | Y-Verbindung                                     | Y-Connection                                       |

| Pos. Det. | Teile Nr. Part No. | Benennung     | Denomination   |
|-----------|--------------------|---------------|----------------|
| 40        | 1005233            | Scheibe       | Washer         |
| 41        | Z 120362           | Reduzierstück | Reducing piece |

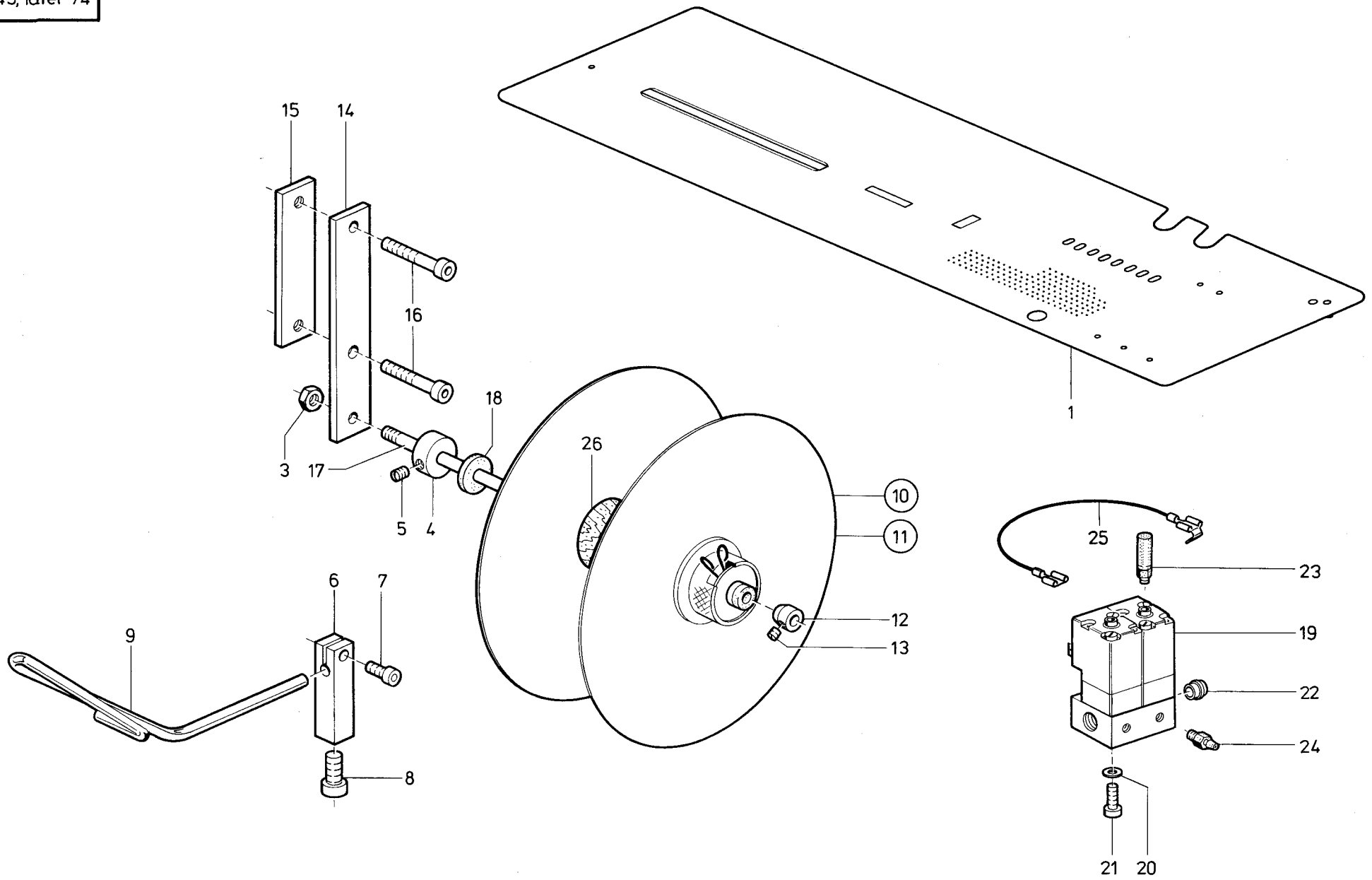
| Pos. Det. | Teile Nr. Part No. | Benennung | Denomination |
|-----------|--------------------|-----------|--------------|
|-----------|--------------------|-----------|--------------|



| Pos. Det. | Teile Nr. Part No. | Benennung   | Denomination   |
|-----------|--------------------|---|--|
|           | 7942901            | <b>Band-Zuführ. und Ab-schneideautomatik kpl.</b> | <b>Automatic tape feeder and cutting device cpl.</b> |
|           | 7942556            | Schere kpl. (best. aus Pos. 1 bis 64)             | Scissors cpl. (cons. of pos. 1 up to 64)             |
| 1         | 7942557            | Scherenhalter                                     | Scissors holder                                      |
| 2         | 7941314            | Schneidblatt                                      | Cutting blade  |
| 3         | 7395347            | Senkschraube                                      | Countersunk screw                                    |
| 4         | 7941316            | Schneidblatt                                      | Cutting blade  |
| 5         | Z 11113            | Ansatzschraube                                    | Shoulder screw                                       |
| 6         | 7391108            | Tellerfeder                                       | Cup spring   |
| 7         | 570117             | Scheibe   | Washer   |
| 8         | 5701287            | 6kt.-Mutter                                       | Hexagonal nut  |
| 9         | Z 11121            | Verlängerungsblech                                | Lengthening plate                                    |
| 10        | 216542             | 6kt.-Schraube                                     | Hexagonal screw                                      |
| 11        | 024275             | Scheibe   | Washer   |
| 12        | 9312134            | Spezialschraube                                   | Special screw  |
| 13        | 922394             | Spezialschraube                                   | Special screw  |
| 14        | 558846             | Zugfeder  | Draw spring  |
| 15        | 911457             | Ansatzschraube                                    | Shoulder screw                                       |
| 16        | 5694445            | Rolle   | Roll   |
| 17        | MG 8/7d            | 6kt.-Mutter                                       | Hexagonal nut  |
| 18        | P 12515            | Zylinder kpl. (mit Pos. 19 und 20)                | Cylinder cpl. (with pos. 19 and 20)                  |
| 19        | Z 11134            | Abstandsring                                      | Distance ring  |
| 20        | Z 11137            | Zwischenscheibe                                   | Intermediate washer                                  |
| 21        | 216120             | Zyl.-Schraube                                     | Cyl. head screw                                      |
| 22        | P 12519            | 6kt.-Mutter                                       | Hexagonal nut  |
| 23        | Z 11661            | Reduzierstück                                     | Reducing piece                                       |
| 24        | 7972252            | Schl.-Verschr.                                    | Hose coupling screw                                  |
| 25        | 746320             | Buchse  | Bushing  |
| 26        | 7942597            | Lagerbock   | Bearing block  |
| 27        | 7942596            | Lagerbock   | Bearing block  |
| 28        | 7461033            | Zyl.-Schraube                                     | Cyl. head screw                                      |
| 29        | 7942601            | Rolle kpl. (mit Pos. 30)                          | Roll cpl. (with pos. 30)                             |
| 30        | 71812756           | Nadelfreilauf                                     | Free-wheel bearing                                   |
| 31        | 74612147           | Achse   | Axle   |
| 32        | 557263             | Scheibe   | Washer   |
| 33        | 570138             | Sicher.-Scheibe                                   | Lock washer  |
| 34        | 7942609            | Hebel   | Lever  |
| 35        | 570912             | Zyl.-Schraube                                     | Cyl. head screw                                      |
| 36        | 55890              | Scheibe   | Washer   |
| 37        | 7942614            | Winkel  | Angle  |

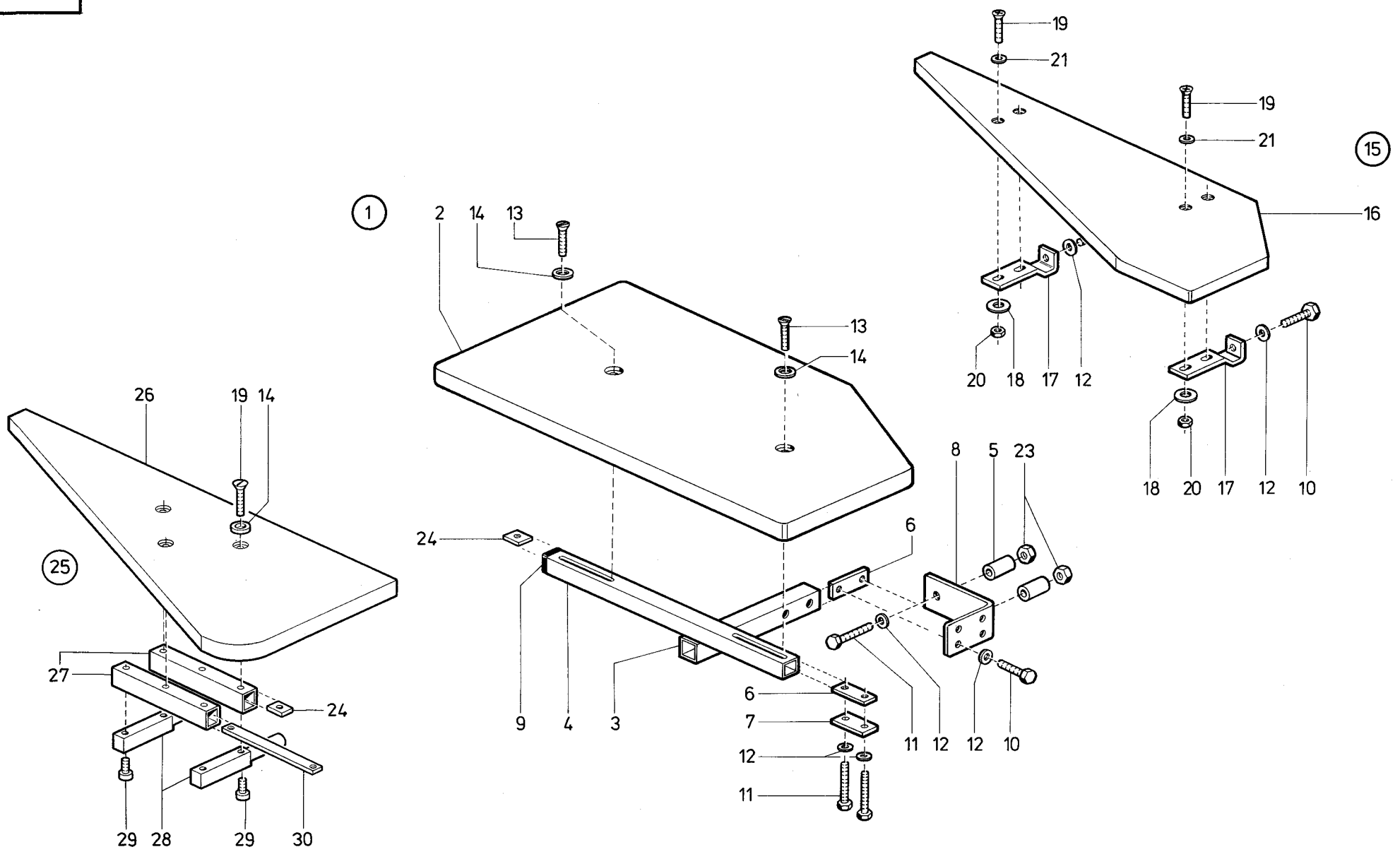
| Pos. Det. | Teile Nr. Part No. | Benennung                        | Denomination                       |
|-----------|--------------------|----------------------------------|------------------------------------|
| 38        | 74612158           | Leiste                           | Reglet                             |
| 39        | 74420778           | Zyl.-Schraube                    | Cyl. head screw                    |
| 40        | 5561164            | Zugfeder                         | Draw spring                        |
| 41        | 74612165           | Zylinder kpl. (mit Pos. 42)      | Cylinder cpl. (with pos. 42)       |
| 42        | 246348             | Lippenring                       | Lip seal                           |
| 43        | 74650555           | Anschlußstück kpl. (mit Pos. 44) | Coupling piece cpl. (with pos. 44) |
| 44        | 5561686            | Zyl.-Schraube                    | Cyl. head screw                    |
| 45        | 797413             | Drosselventil                    | Throttle valve                     |
| 46        | 5567351            | Buchse                           | Bushing                            |
| 47        | 7942641            | Führung, links                   | Guide, left hand                   |
| 48        | 7942642            | Führung, rechts                  | Guide, right hand                  |
| 49        | MG 43/6542         | Lasche                           | Shackle                            |
| 50        | 5691895            | Scheibe                          | Washer                             |
| 51        | 7942909            | Leitblech                        | Sliding plate                      |
| 52        | 7942910            | Leiste                           | Reglet                             |
| 53        | 7942651            | Leiste                           | Reglet                             |
| 54        | 2659746            | Scheibe                          | Washer                             |
| 55        | 570912             | Zyl.-Schraube                    | Cyl. head screw                    |
| 56        | 7942655            | Winkel                           | Angle                              |
| 57        | 798795             | Scheibe                          | Washer                             |
| 58        | 7441509            | Zyl.-Schraube                    | Cyl. head screw                    |
| 59        | 74450243           | Scheibe                          | Washer                             |
| 60        | 7942656            | Platte                           | Plate                              |
| 64        | 271297             | Senkschraube                     | Countersunk screw                  |
| 65        | 7942595            | Klemmblech                       | Clamping sheet                     |
| 66        | 7942594a           | Winkel                           | Angle                              |
| 67        | 7942594            | Bolzen                           | Bolt                               |
| 68        | 216497             | Zyl.-Schraube                    | Cyl. head screw                    |
| 69        | 7971030            | Zylinder                         | Cylinder                           |
| 70        | 7942599            | Winkel                           | Angle                              |
| 71        | 7942599a           | Winkel                           | Angle                              |
| 72        | 7972016            | Schlauchtülle                    | Hose nozzle                        |
| 73        | 246369             | Zyl.-Schraube                    | Cyl. head screw                    |
| 74        | 1001360            | Zyl.-Schraube                    | Cyl. head screw                    |
| 75        | 5511824            | 6kt.-Mutter                      | Hexagonal nut                      |
| 76        | 55614401           | 5/2-Wege-Ventil                  | 5/2-Distributor-Valve              |
| 77        | 1005233            | Scheibe                          | Washer                             |
| 78        | 5693278            | Zyl.-Schraube                    | Cyl. head screw                    |
| 79        | 5701847            | Blindstopfen                     | Blind plug                         |
| 80        | 746768             | Schl.-Verschr.                   | Hose coupling screw                |
| 81        | 93370265           | Scheibe                          | Washer                             |
| 82        | 271487             | Linsenschraube                   | Fillister head screw               |

| Pos. Det. | Teile Nr. Part No. | Benennung | Denomination |
|-----------|--------------------|-----------|--------------|
|-----------|--------------------|-----------|--------------|





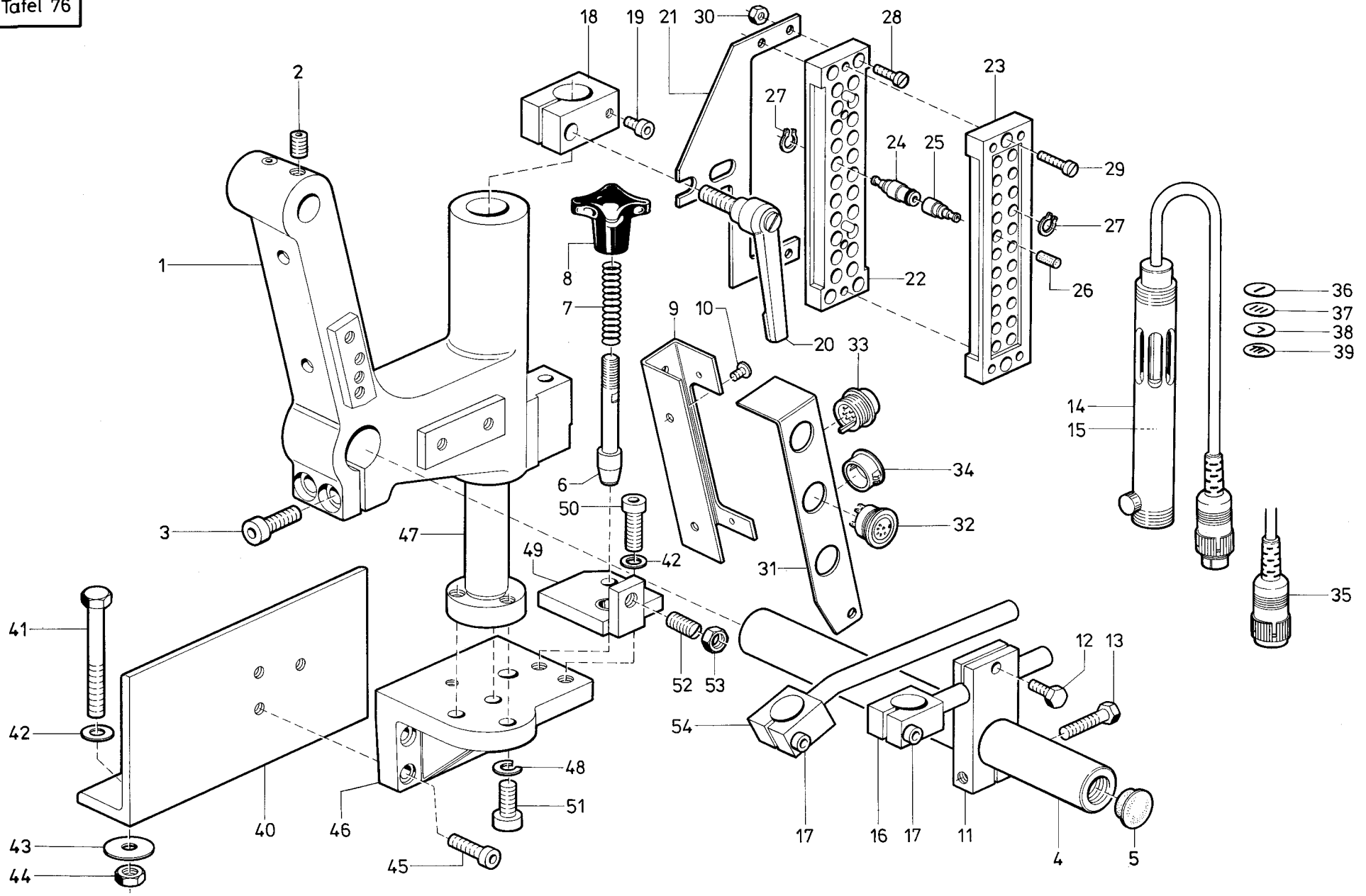




| Pos. Det. | Teile Nr. Part No. | Benennung   | Denomination  |
|-----------|--------------------|---|---|
| 1         | 7942151            | Tischverbreiterung kpl.<br>(best. aus Pos. 2 bis 14, 23, 24)      | Table extension cpl.<br>(cons. of pos. 2 up to 14, 23, 24)      |
| 2         | 7005004            | Tischverbreiterung  | Table extension   |
| 3         | 74611053           | Ständer   | Stand   |
| 4         | 7942155            | Holm  | String piece  |
| 5         | 5581771            | Hülse   | Sleeve  |
| 6         | 74611056           | Lasche  | Shackle   |
| 7         | 74611056a          | Lasche  | Shackle   |
| 8         | 74611057           | Haltewinkel   | Retaining angle   |
| 9         | 71811060           | Verschlußkappe  | Cap   |
| 10        | App. 20160         | 6kt.-Schraube   | Hexagonal screw   |
| 11        | MG 41/1305         | 6kt.-Schraube   | Hexagonal screw   |
| 12        | 72043              | Scheibe   | Washer  |
| 13        | 7442042            | Senkschraube  | Countersunk screw   |
| 14        | 739163             | Scheibe   | Washer  |
| 15        | 7942101            | Tischverbreiterung kpl.<br>(best. aus Pos. 10, 12, 16 bis 21)     | Table extension cpl.<br>(cons. of pos. 10, 12, 16 up to 21)     |
| 16        | 7005005            | Tischverbreiterung  | Table extension   |
| 17        | 7942103            | Halter  | Holder  |
| 18        | 7441318            | Scheibe   | Washer  |
| 19        | 7443324            | Senkschraube  | Countersunk screw   |
| 20        | 74450244           | 6kt.-Mutter   | Hexagonal nut   |
| 21        | 739595             | Scheibe   | Washer  |
| 23        | 72042a             | 6kt.-Mutter   | Hexagonal nut   |
| 24        | 7942168            | Gewindeplatte   | Threaded plate  |
| 25        | 7945901            | Tischverbreiterung kpl.<br>(best. aus Pos. 14, 19, 24, 26 bis 30) | Table extension cpl.<br>(cons. of pos. 14, 19, 24, 26 up to 30) |
| 26        | 7005009            | Tischverbreiterung  | Table extension   |
| 27        | 7945904            | Holm  | String piece  |
| 28        | 7945749            | Bolzen  | Bolt  |
| 29        | 911376             | Zyl.-Schraube   | Cyl. head screw   |
| 30        | 7945750            | Gewindelasche   | Threaded shackle  |

| Pos. Det. | Teile Nr. Part No. | Benennung | Denomination |
|-----------|--------------------|-----------|--------------|
|-----------|--------------------|-----------|--------------|

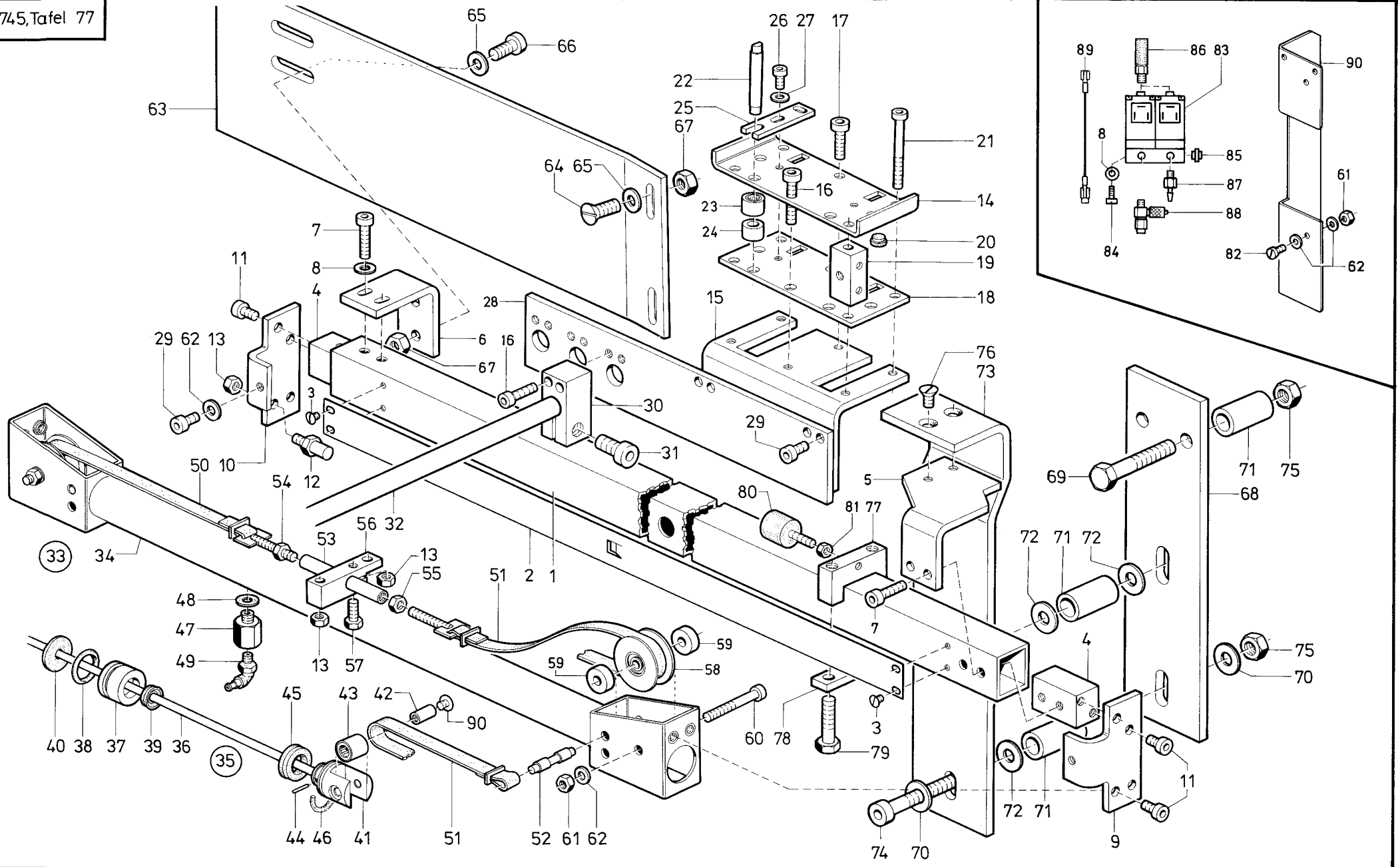
| Pos. Det. | Teile Nr. Part No. | Benennung | Denomination |
|-----------|--------------------|-----------|--------------|
|-----------|--------------------|-----------|--------------|



| Pos. Det. | Teile Nr. Part No. | Benennung                                | Denomination                                 |
|-----------|--------------------|--|--|
|           | 79321001           | <b>Teilesatz für Brustleistentaschen</b> | <b>Set of parts for Breast pocket welts</b>  |
| 1         | 79320122           | Ständer                                  | Stay   |
| 2         | 211354             | Gewindestift                             | Threaded stud                                |
| 3         | 570522             | Zyl.-Schraube                            | Cyl. head screw                              |
| 4         | 79320126           | Achse                                    | Axle   |
| 5         | 7441155            | Abdeckkappe                              | Cap  |
| 6         | 79320128           | Bolzen                                   | Bolt   |
| 7         | 74611277           | Druckfeder                               | Pressure spring                              |
| 8         | 7421708            | Sterngriff                               | Star grip                                    |
| 9         | 79320135           | Gehäuse                                  | Housing                                      |
| 10        | 10019130           | Linsenschraube                           | Fillister head screw                         |
| 11        | 79320222           | Halter kpl.<br>(mit Pos. 12 und 13)      | Holder cpl.<br>(with pos. 12 and 13)         |
| 12        | 7441658            | 6kt.-Schraube                            | Hexagonal screw                              |
| 13        | TG 13/42           | 6kt.-Schraube                            | Hexagonal screw                              |
| 14        | 798281502          | Markierungsleuchte kpl. (mit Pos. 15)    | Marking lamp cpl. (with pos. 15)             |
| 15        | 798281510          | Glühlampe                                | Filament bulb                                |
| 16        | 79320237           | Halter kpl.<br>(mit Pos. 17)             | Holder cpl.<br>(with pos. 17)                |
| 17        | 7422036            | Zyl.-Schraube                            | Cyl. head screw                              |
| 18        | 79321011           | Klemmstück kpl.<br>(mit Pos. 19 und 20)  | Clamping piece cpl.<br>(with pos. 19 and 20) |
| 19        | 5561184            | Zyl.-Schraube                            | Cyl. head screw                              |
| 20        | 7427340            | Klemmhebel                               | Clamping lever                               |
| 21        | 79321022           | Halteplatte                              | Holding plate                                |
| 22        | 79321023           | Verbindungsteil                          | Connecting piece                             |
| 23        | 79321024           | Anschlußleiste                           | Connection legde                             |
| 24        | 79321025           | Stecknippel                              | Plug-in nipple                               |
| 25        | 79321026           | Steckbuchse                              | Socket piece                                 |
| 26        | 79321027           | Verschlußkappe                           | Covering cap                                 |
| 27        | 211518             | Greifring                                | Grip ring                                    |
| 28        | 902300             | Zyl.-Schraube                            | Cyl. head screw                              |
| 29        | 211496             | Zyl.-Schraube                            | Cyl. head screw                              |
| 30        | 202704             | 6kt.-Mutter                              | Hexagonal nut                                |
| 31        | 798147001          | Gehäuse                                  | Housing                                      |
| 32        | Z 151241           | Einbaubuchse                             | Socket                                       |
| 33        | 798480826          | Einbaustecker                            | Plug-in connector                            |
| 34        | 798220507          | Abdeckkappe                              | Cap  |
| 35        | 21154215           | Kupplung                                 | Coupler                                      |
| 36        | 79321061           | Blende                                   | Screen                                       |
| 37        | 79321062           | Blende                                   | Screen                                       |
| 38        | 79321063           | Blende                                   | Screen                                       |

| Pos. Det. | Teile Nr. Part No. | Benennung                    | Denomination                  |
|-----------|--------------------|------------------------------|-------------------------------|
| 39        | 79321064           | Blende                       | Screen                        |
| 40        | 79321081           | Winkel                       | Angle                         |
| 41        | 567920             | 6kt.-Schraube                | Hexagonal screw               |
| 42        | 72043              | Scheibe                      | Washer                        |
| 43        | 700444             | Scheibe                      | Washer                        |
| 44        | 72042a             | 6kt.-Mutter                  | Hexagonal nut                 |
| 45        | 5701392            | Zyl.-Schraube                | Cyl. head screw               |
| 46        | 79320092           | Lagerbock                    | Bearing block                 |
| 47        | 74660807           | Achse                        | Axle                          |
| 48        | 7441017            | federring                    | Spring ring                   |
| 49        | 79320101           | Grundplatte                  | Base plate                    |
| 50        | 911376             | Zyl.-Schraube                | Cyl. head screw               |
| 51        | 7425098            | Zyl.-Schraube                | Cyl. head screw               |
| 52        | 558769             | Gewindestift                 | Threaded stud                 |
| 53        | 231454             | 6kt.-Mutter                  | Hexagonal nut                 |
| 54        | 79321428           | Halter kpl.<br>(mit Pos. 17) | Holder cpl.<br>(with pos. 17) |

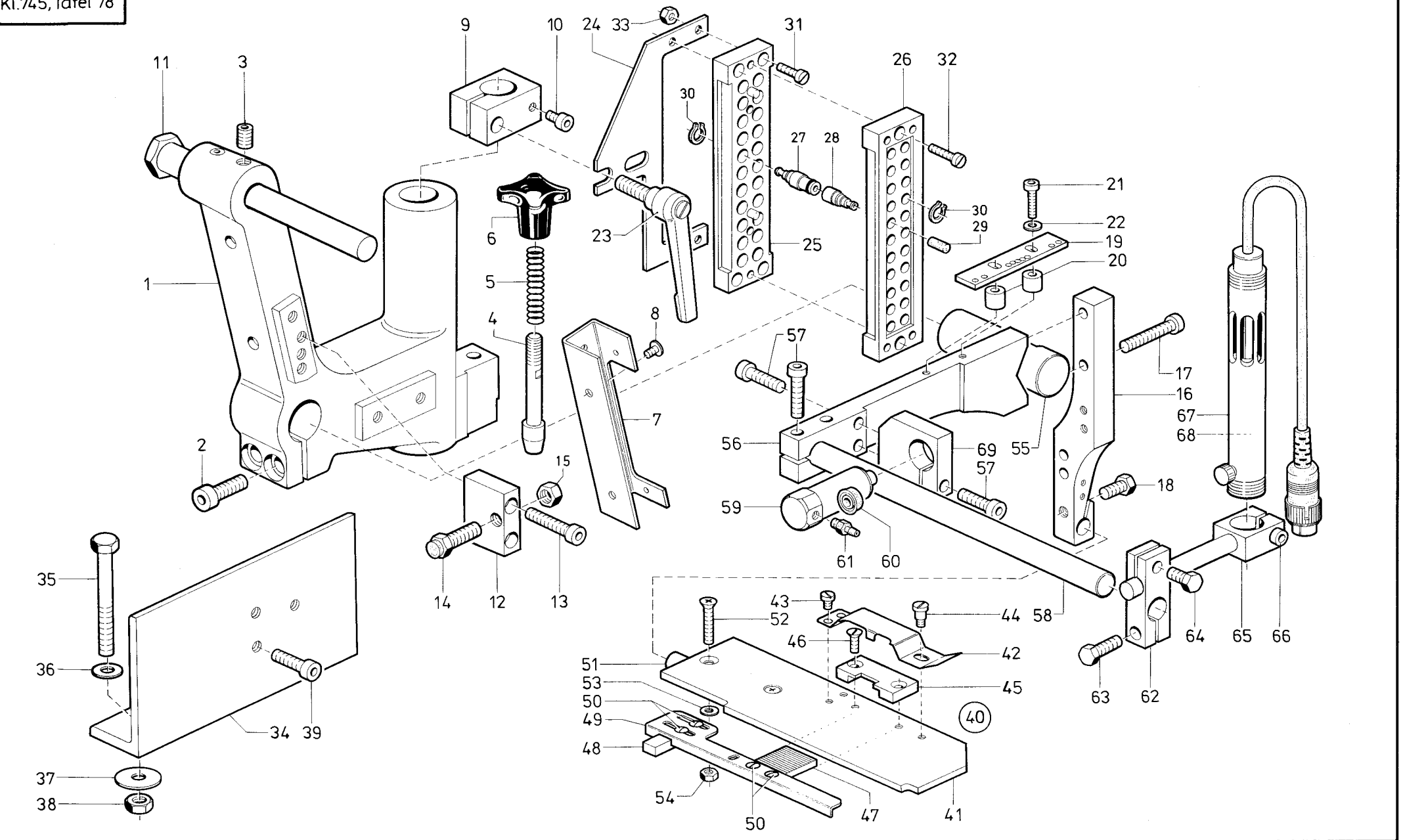
| Pos. Det. | Teile Nr. Part No. | Benennung | Denomination |
|-----------|--------------------|-----------|--------------|
|-----------|--------------------|-----------|--------------|



| Pos. Det. | Teile Nr. Part No. | Benennung                                    | Denomination                                |
|-----------|--------------------|--|---|
|           | <b>7947001</b>     | <b>Ausstreifeinrichtung kpl.</b>             | <b>Smoothing device cpl.</b>                |
| 1         | 7947005            | Rohr   | Tube  |
| 2         | 7947006            | federbahd                                    | Spring tape                                 |
| 3         | 9441366            | Linsenschraube                               | Fillister head screw                        |
| 4         | 7947011            | Kloben                                       | Block                                       |
| 5         | 7947013            | Halteblech                                   | Holding plate                               |
| 6         | 7947014            | Halteblech                                   | Holding plate                               |
| 7         | 93370175           | Zyl.-Schraube                                | Cyl. head screw                             |
| 8         | 024275             | Scheibe                                      | Washer                                      |
| 9         | 7947021            | Winkel                                       | Angle                                       |
| 10        | 7947022            | Winkel                                       | Angle                                       |
| 11        | 2461049            | Zyl.-Schraube                                | Cyl. head screw                             |
| 12        | 7947027            | Bolzen                                       | Bolt  |
| 13        | MG 8/7d            | 6kt.-Mutter                                  | Hexagonal nut                               |
| 14        | 7945131            | Lasche                                       | Shackle                                     |
| 15        | 7945133            | Winkel                                       | Angle                                       |
| 16        | 2386530            | Zyl.-Schraube                                | Cyl. head screw                             |
| 17        | 246130             | Zyl.-Schraube                                | Cyl. head screw                             |
| 18        | 74221503a          | Lasche                                       | Shackle                                     |
| 19        | 74221504           | Abstandhalter                                | Distance piece                              |
| 20        | 93310848           | Gleitscheibe                                 | Slide                                       |
| 21        | P 12547            | Zyl.-Schraube                                | Cyl. head screw                             |
| 22        | 74221511a          | Stift  | Pin   |
| 23        | 570777             | Nadellager                                   | Needle bearing                              |
| 24        | Z 123205           | Distanzbuchse                                | Distance bush                               |
| 25        | 74221514           | Lasche                                       | Shackle                                     |
| 26        | 246360             | Zyl.-Schraube                                | Cyl. head screw                             |
| 27        | 5691895            | Scheibe                                      | Washer                                      |
| 28        | 7947057            | Lasche                                       | Shackle                                     |
| 29        | 746879             | Zyl.-Schraube                                | Cyl. head screw                             |
| 30        | 7945156            | Klemmstück kpl. (mit Pos. 31)                | Clampung piece cpl. (with pos. 31)          |
| 31        | 911376             | Zyl.-Schraube                                | Cyl. head screw                             |
| 32        | 7945155            | Bügel  | Bow   |
| 33        | 7947071            | Zylinder kpl. (best. aus Pos. 34 bis 62)     | Cylinder cpl. (cons. of pos. 34 up to 62)   |
| 34        | 7947073            | Zylinderrohr                                 | Cylinder tube                               |
| 35        | 7947081            | Kolbenstange kpl. (best. aus Pos. 36 bis 46) | Piston rod cpl. (cons. of pos. 36 up to 46) |
| 36        | 7947083            | Kolbenstange                                 | Piston rod                                  |
| 37        | 79220305           | Buchse                                       | Bushing                                     |
| 38        | 74241516           | Gummiring                                    | Rubber ring                                 |

| Pos. Det. | Teile Nr. Part No. | Benennung                  | Denomination                     |
|-----------|--------------------|----------------------------|----------------------------------|
| 39        | 74241517           | Lippenring                 | Lip seal                         |
| 40        | 79220308           | Scheibe                    | Washer                           |
| 41        | 74241522           | Kolben                     | Piston                           |
| 42        | 74241523           | Gewindebolzen              | Threaded bolt                    |
| 43        | 74241524           | Nadellager                 | Needle bearing                   |
| 44        | 082424             | Zylinderstift              | Cylinder pin                     |
| 45        | 7461547            | Lippenring                 | Lip seal                         |
| 46        | 00283083325        | Filzteil                   | Felt                             |
| 47        | 7972646            | Anschlußstück              | Connecting piece                 |
| 48        | 74241533           | Scheibe                    | Washer                           |
| 49        | 746768             | Stecknippel                | Plug nipple                      |
| 50        | 7947105            | Zugband                    | Draw tape                        |
| 51        | 7947104            | Zugband (Linksgewinde)     | Draw tape (Left hand thread)     |
| 52        | 74241545           | Stift                      | Pin                              |
| 53        | 74241546           | Gewindebuchse              | Threaded bush                    |
| 54        | 74450244           | 6kt.-Mutter                | Hexagonal nut                    |
| 55        | 558101             | 6kt.-Mutter (Linksgewinde) | Hexagonal nut (Left hand thread) |
| 56        | 7947121            | Lagerbock                  | Bearing block                    |
| 57        | 55881              | 6kt.-Mutter                | Hexagonal nut                    |
| 58        | 74241551           | Rolle                      | Roll                             |
| 59        | 74241555           | Buchse                     | Bushing                          |
| 60        | P 12547            | Zyl.-Schraube              | Cyl. head screw                  |
| 61        | 74450244           | 6kt.-Mutter                | Hexagonal nut                    |
| 62        | 74450243           | Scheibe                    | Washer                           |
| 63        | 7947141            | Bef.-Blech                 | Fastening plate                  |
| 64        | 5702119            | Senkschraube               | Countersunk screw                |
| 65        | 557263             | Scheibe                    | Washer                           |
| 66        | 556362             | Zyl.-Schraube              | Cyl. head screw                  |
| 67        | MG 43/409          | 6kt.-Mutter                | Hexagonal nut                    |
| 68        | 7947151            | Platte                     | Plate                            |
| 69        | MG 41/1305         | 6kt.-Schraube              | Hexagonal screw                  |
| 70        | 72043              | Scheibe                    | Washer                           |
| 71        | 74661456           | Buchse                     | Bushing                          |
| 72        | 700444             | Scheibe                    | Washer                           |
| 73        | 7947157            | Winkel                     | Angle                            |
| 74        | 9335644            | Zyl.-Schraube              | Cyl. head screw                  |
| 75        | 72042a             | 6kt.-Mutter                | Hexagonal nut                    |
| 76        | 21163              | Senkschraube               | Countersunk screw                |
| 77        | 7947171            | Anschlag                   | Stop                             |
| 78        | 7947172            | Lasche                     | Shackle                          |
| 79        | 5581304            | 6kt.-Schraube              | Hexagonal screw                  |
| 80        | 74221459           | Gummipuffer                | Rubber buffer                    |
| 81        | 202704             | 6kt.-Mutter                | Hexagonal nut                    |

| Pos. Det. | Teile Nr. Part No. | Benennung           | Denomination                  |
|-----------|--------------------|---------------------|-------------------------------|
| 82        | 265565             | Zyl.-Schraube       | Cyl. head screw               |
| 83        | 797332             | Magnetventil        | Solenoid valve                |
| 84        | 7441509            | Zyl.-Schraube       | Cyl. head screw               |
| 85        | 7443572            | Steckverbindung     | Plug connector                |
| 86        | Z 11649            | Schalldämpfer       | Silencer                      |
| 87        | 7972016            | Schlauchtülle       | Hose nozzle                   |
| 88        | 797412             | Drosselventil       | Throttle valve                |
| 89        | 74221623           | Leitung             | Cable                         |
| 90        | 7945196            | Schutzblech         | Guard plate                   |
|           | 7947164            | Auflage (ohne Abb.) | Covering plate (not illustr.) |

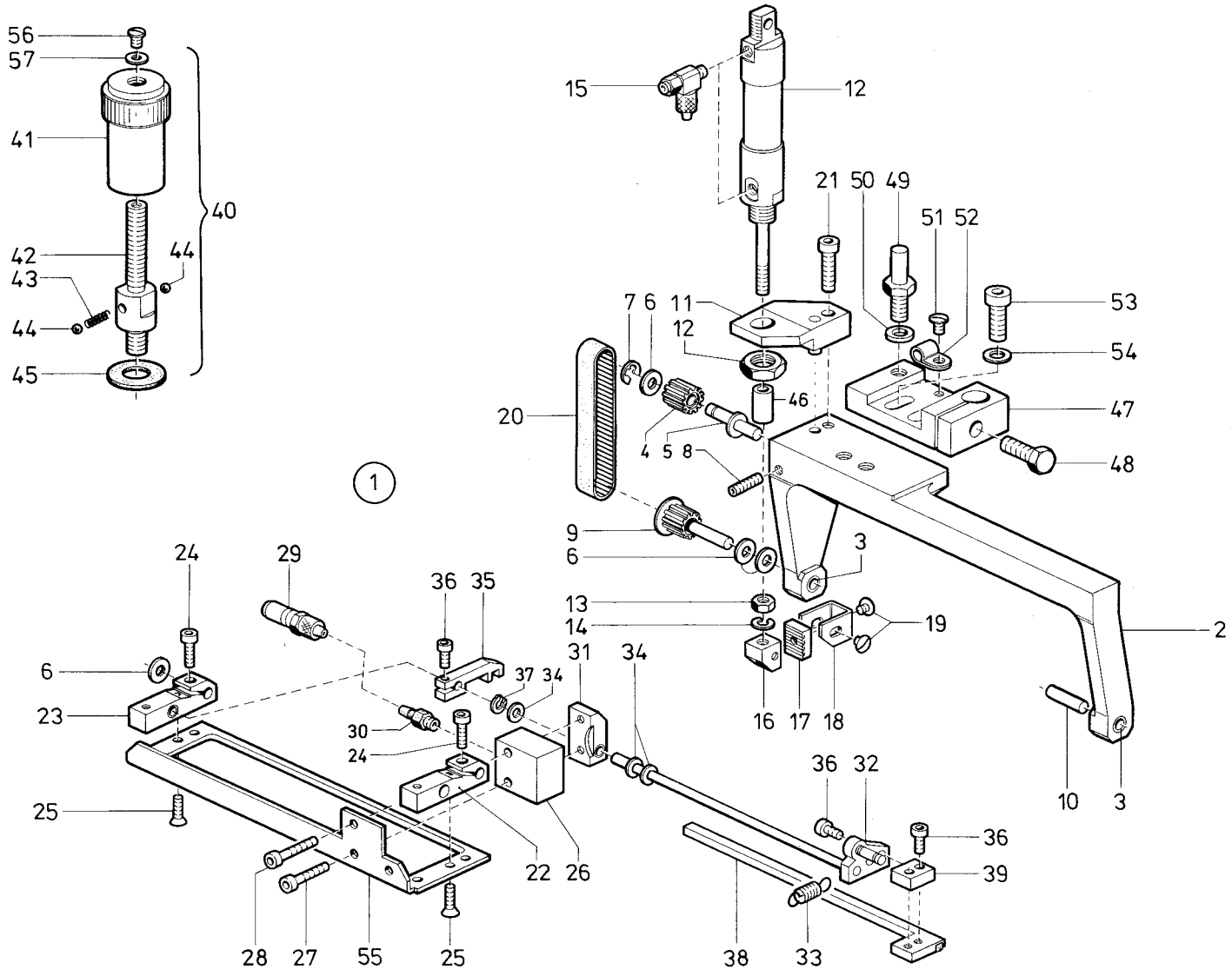


| Pos. Det. | Teile Nr. Part No. | Benennung   | Denomination   |
|-----------|--------------------|---|--|
|           | <b>79321201</b>    | <b>Anlegevorrichtung für Brustleisten (hierzu gehört auch die Tafel 24)</b> | <b>Positioning device for breast pocket welts (this inclose also the table 24)</b> |
| 1         | 79320122           | Ständer   | Stay   |
| 2         | 570522             | Zyl.-Schraube   | Cyl. head screw  |
| 3         | 211354             | Gewindestift  | Threaded stud  |
| 4         | 79320128           | Bolzen  | Bolt   |
| 5         | 74611277           | Druckfeder  | Pressure spring  |
| 6         | 7421708            | Kreuzgriff  | Star grip  |
| 7         | 79320135           | Gehäuse   | Housing  |
| 8         | 10019130           | Linsenschraube  | Fillister head screw   |
| 9         | 79321011           | Klemmstück kpl. (mit Pos. 10 und 23)  | Clamping piece cpl. (with pos. 10 and 23)  |
| 10        | 5561184            | Zyl.-Schraube   | Cyl. head screw  |
| 11        | 79320140           | Achse   | Axle   |
| 12        | 79320538           | Anschlagbock  | Stop block   |
| 13        | 7441694            | Zyl.-Schraube   | Cyl. head screw  |
| 14        | 7461416a           | Anschlagschraube  | Stop screw   |
| 15        | 231454             | 6kt.-Mutter   | Hexagonal nut  |
| 16        | 79320551           | Halter  | Holder   |
| 17        | 558312             | Zyl.-Schraube   | Cyl. head screw  |
| 18        | 7441658            | 6kt.-Schraube   | Hexagonal screw  |
| 19        | 79320561           | Leiste  | Reglet   |
| 20        | 74660651           | Buchse  | Bushing  |
| 21        | 74420778           | Zyl.-Schraube   | Cyl. head screw  |
| 22        | 798795             | Scheibe   | Washer   |
| 23        | 7427340            | Klemmhebel  | Clamping lever   |
| 24        | 79321022           | Halteplatte   | Holding plate  |
| 25        | 79321023           | Verbindungsteil   | Connecting piece   |
| 26        | 79321024           | Verbindungsteil   | Connecting piece   |
| 27        | 79321025           | Stecknippel   | Plug-in nipple   |
| 28        | 79321026           | Steckbuchse   | Socket piece   |
| 29        | 79321027           | Verschlußkappe  | Cap  |
| 30        | 211518             | Greifring   | Grip ring  |
| 31        | 902300             | Zyl.-Schraube   | Cyl. head screw  |
| 32        | 211496             | Zyl.-Schraube   | Cyl. head screw  |
| 33        | 202704             | 6kt.-Mutter   | Hexagonal nut  |
| 34        | 79321081           | Winkel  | Angle  |
| 35        | 567920             | 6kt.-Schraube   | Hexagonal screw  |
| 36        | 72043              | Scheibe   | Washer   |
| 37        | 700444             | Scheibe   | Washer   |
| 38        | 72042a             | 6kt.-Mutter   | Hexagonal nut  |
| 39        | 5701392            | Zyl.-Schraube   | Cyl. head screw  |

| Pos. Det. | Teile Nr. Part No. | Benennung                                    | Denomination                                   |
|-----------|--------------------|--|--|
| 40        | 79321361           | Auflagetisch kpl. (best. aus Pos. 41 bis 54) | Support table cpl. (cons. of pos. 41 up to 54) |
| 41        | 79321363           | Auflage                                      | Supporting plate                               |
| 42        | 74640523           | Blattfeder                                   | Leaf spring                                    |
| 43        | 556947             | Zyl.-Schraube                                | Cyl. head screw                                |
| 44        | 2196367            | Ansatzschraube                               | Shoulder screw                                 |
| 45        | 74640511           | Führung                                      | Guidance                                       |
| 46        | 90297              | Senkschraube                                 | Countersunk screw                              |
| 47        | 74640527           | Zahnleiste                                   | Toothed regled                                 |
| 48        | 79321372           | Anschlag                                     | Stop   |
| 49        | 79321373           | Anschlag                                     | Stop   |
| 50        | 10019130           | Linsenschraube                               | Fillister head screw                           |
| 51        | 7461375            | Bolzen                                       | Bolt   |
| 52        | 570939a            | Senkschraube                                 | Countersunk screw                              |
| 53        | 74450243           | Scheibe                                      | Washer   |
| 54        | 74450244           | 6kt.-Mutter                                  | Hexagonal nut                                  |
| 55        | 79321401           | Achse  | Axle   |
| 56        | 79321403           | Halter kpl. (mit Pos. 57)                    | Holder cpl. (with pos. 57)                     |
| 57        | 5701594            | Zyl.-Schraube                                | Cyl. head screw                                |
| 58        | 79320610           | Stange                                       | Rod  |
| 59        | 7925944            | Zylinder kpl. (mit Pos. 60)                  | Cylinder cpl. (with pos. 60)                   |
| 60        | 2462566            | Lippenring                                   | Lip seal                                       |
| 61        | 7972016            | Schlauchtülle                                | Hose nozzle                                    |
| 62        | 79321423           | Klemmstück kpl. (mit Pos. 63 und 64)         | Clamping piece cpl. (with pos. 63 and 64)      |
| 63        | 719127             | 6kt.-Schraube                                | Hexagonal screw                                |
| 64        | 7441658            | 6kt.-Schraube                                | Hexagonal screw                                |
| 65        | 79320237           | Halter kpl. (mit Pos. 66)                    | Holder cpl. (with pos. 66)                     |
| 66        | 7422036            | Zyl.-Schraube                                | Cyl. head screw                                |
| 67        | 798281502          | Markierungsleuchte kpl. (mit Pos. 68)        | Marking lamp cpl. (with pos. 68)               |
| 68        | 798281510          | Glühlampe                                    | Filament bulb                                  |
| 69        | 79321408           | Klemmstück kpl. (mit Pos. 57)                | Clamping piece cpl. (with pos. 57)             |

| Pos. Det. | Teile Nr. Part No. | Benennung | Denomination |
|-----------|--------------------|-----------|--------------|
|-----------|--------------------|-----------|--------------|

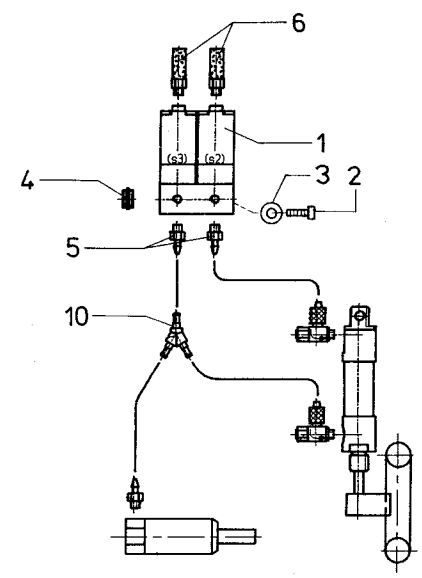
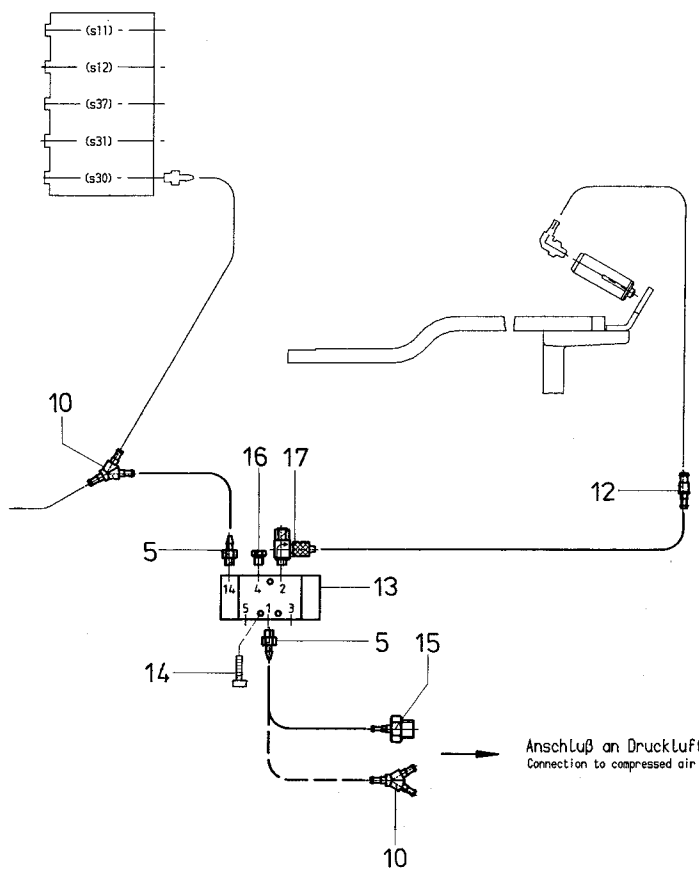
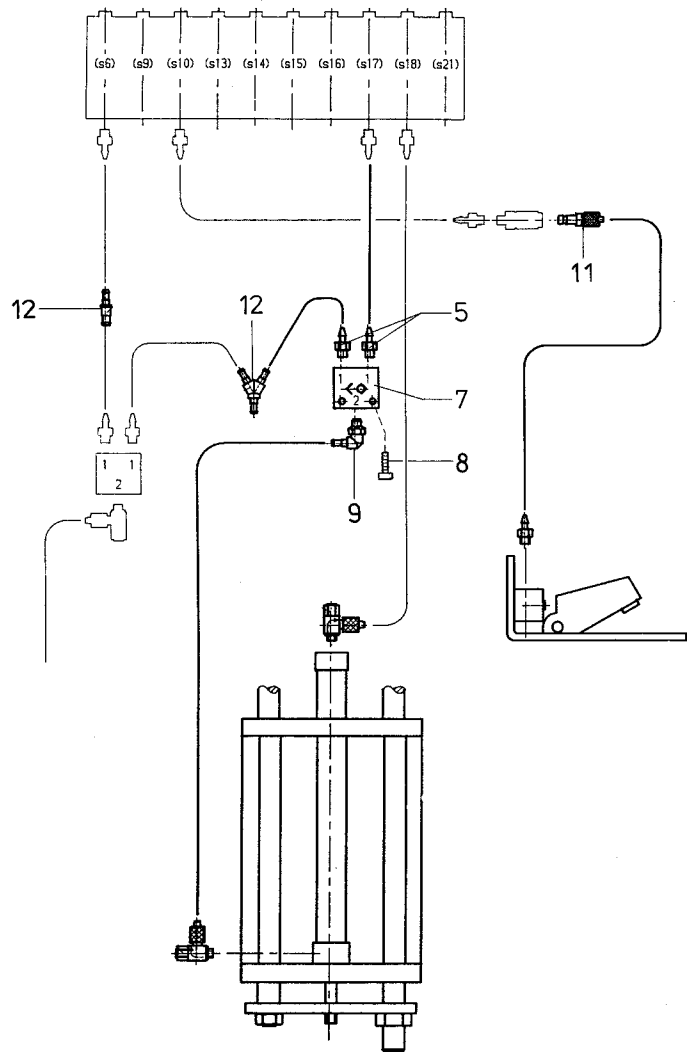




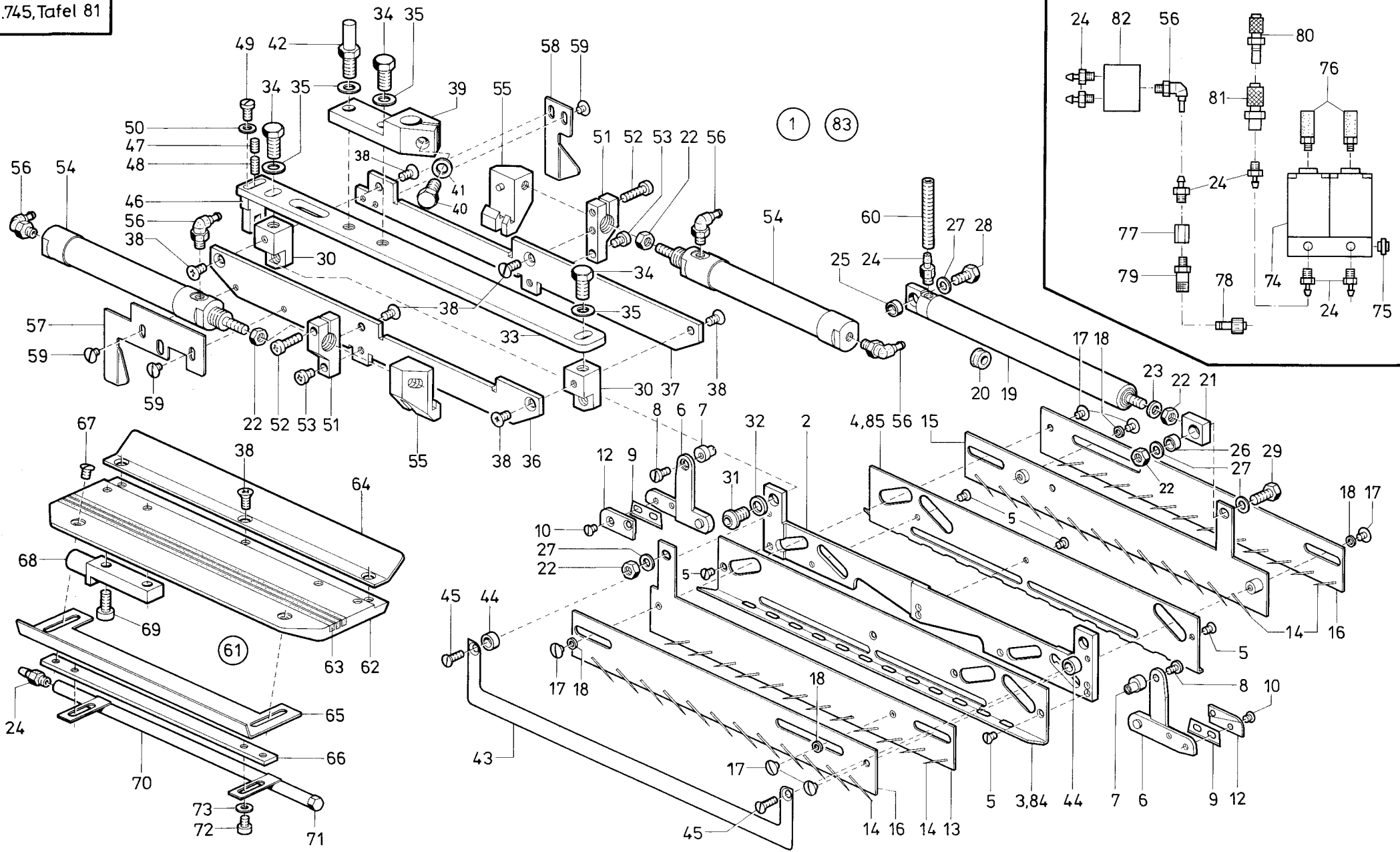
| Pos. Det. | Teile Nr. Part No. | Benennung  | Denomination   |
|-----------|--------------------|--|--|
|           |                    | <b>Anlegevorrichtung für Brustleisten</b>          | <b>Positioning device for breast pocket welts</b>    |
| 1         | 79321208           | Wendevorrichtung kpl.<br>(best. aus Pos. 2 bis 39) | Reversible device cpl.<br>(cons. of pos. 2 up to 39) |
| 2         | 79321221           | Rahmen kpl.<br>(mit Pos. 3)                        | Frame cpl.<br>(with pos. 3)                          |
| 3         | 79321223           | Gleitlager   | Slide bearing  |
| 4         | 79321231           | Zahnriemenrad                                      | Toothed belt wheel                                   |
| 5         | 79321236           | Exzenterbolzen                                     | Eccentric bolt                                       |
| 6         | 024275             | Scheibe  | Washer   |
| 7         | 570138             | Sicher.-Scheibe                                    | Lock washer  |
| 8         | 7461315            | Gewindestift                                       | Threaded stud  |
| 9         | 79321251           | Zahnriemenrad                                      | Toothed belt wheel                                   |
| 10        | 558790             | Lagernadel   | Bearing needle                                       |
| 11        | 79321261           | Halter   | Holder   |
| 12        | 7971521            | Zylinder<br>(mit 6kt.-Mutter)                      | Cylinder<br>(with hexagonal nut)                     |
| 13        | MG 8/7d            | 6kt.-Mutter  | Hexagonal nut  |
| 14        | 7441426            | Federring  | Spring ring  |
| 15        | 797412             | Drosselventil                                      | Throttle valve                                       |
| 16        | 79321271           | Kloben   | Block  |
| 17        | 79321272           | Klemmstück   | Clamping piece                                       |
| 18        | 79321273           | Lasche   | Shackle  |
| 19        | 911339             | Linsenschraube                                     | Fillister head screw                                 |
| 20        | 79321277           | Zahnriemen   | Toothed belt   |
| 21        | 246130             | Zyl.-Schraube                                      | Cyl. head screw                                      |
| 22        | 79321293           | Klemmstück kpl.<br>(mit Pos. 24)                   | Clamping piece cpl.<br>(with pos. 24)                |
| 23        | 79321294           | Klemmstück kpl.<br>(mit Pos. 24)                   | Clamping piece cpl.<br>(with pos. 24)                |
| 24        | 23817029           | Zyl.-Schraube                                      | Cyl. head screw                                      |
| 25        | 24414159           | Senkschraube                                       | Countersunk screw                                    |
| 26        | 7971030            | Zylinder   | Cylinder   |
| 27        | Z 112235           | Zyl.-Schraube                                      | Cyl. head screw                                      |
| 28        | 746450             | Zyl.-Schraube                                      | Cyl. head screw                                      |
| 29        | 74640379           | Kupplungsstecker                                   | Coupler plug   |
| 30        | 7972016            | Schlauchtülle                                      | Hose nozzle  |
| 31        | 79321311           | Halter   | Holder   |
| 32        | 79321321           | Hebel Lever  |  |
| 33        | 244404             | Zugfeder   | Draw spring  |
| 34        | 5691895            | Scheibe  | Washer   |
| 35        | 79321328           | Klemmhebel kpl.<br>(mit Pos. 36)                   | Clamping lever cpl.<br>(with pos. 36)                |

| Pos. Det. | Teile Nr. Part No. | Benennung  | Denomination   |
|-----------|--------------------|--|--|
| 36        | 933335             | Zyl.-Schraube  | Cyl. head screw  |
| 37        | 7441749            | Greifring  | Grip ring  |
| 38        | 79321331           | Klemmleiste  | Clamping reglet  |
| 39        | 79321334           | Platte   | Plate  |
| 40        | 79321351           | Drehknopf kpl.<br>(best. aus Pos. 41 bis 45, 56, 57) | Turning knob cpl.<br>(cons. of pos. 41 up to 45, 56, 57) |
| 41        | 79321352           | Drehknopf  | Turning knob   |
| 42        | 79321353           | Führungsbolzen                                       | Guide bolt   |
| 43        | K220004060         | Druckfeder   | Pressure spring  |
| 44        | 2462511            | Stahlkugel   | Steel ball   |
| 45        | 74242611           | Scheibe  | Washer   |
| 46        | 79321266           | Buchse   | Bushing  |
| 47        | 79321212           | Klemmhalter  | Clamp holder   |
| 48        | 719127             | 6kt.-Schraube  | Hexagonal screw  |
| 49        | 79325008           | Bolzen   | Bolt   |
| 50        | 556379             | Scheibe  | Washer   |
| 51        | 10019130           | Linsenschraube                                       | Fillister head screw                                     |
| 52        | 94210318           | Schelle  | Clip   |
| 53        | 556362             | Zyl.-Schraube  | Cyl. head screw  |
| 54        | 557263             | Scheibe  | Washer   |
| 55        | 79321291           | Grundplatte  | Base plate   |
| 56        | 10019127           | Linsenschraube                                       | Fillister head screw                                     |
| 57        | 74242611           | Scheibe  | Washer   |

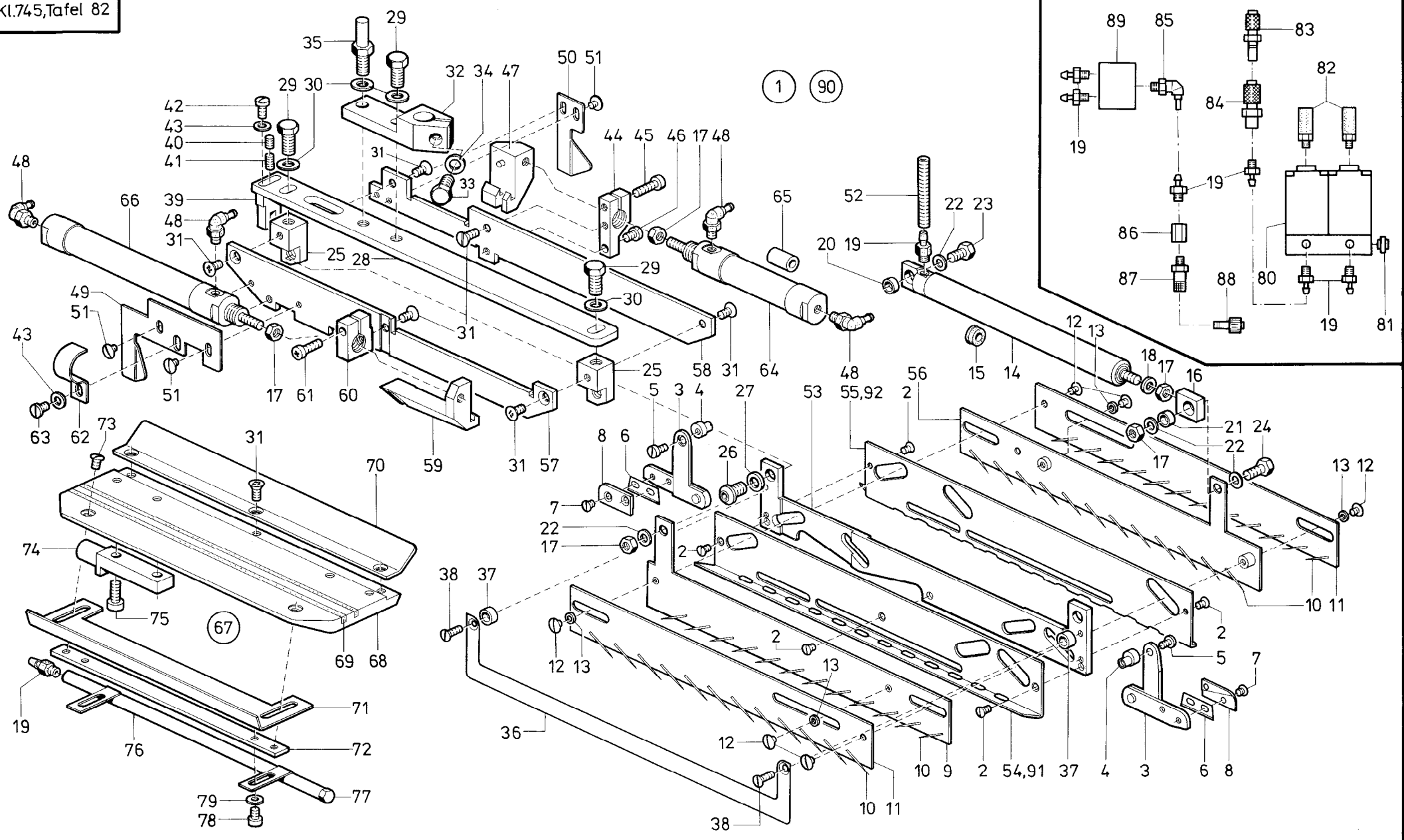
| Pos. Det. | Teile Nr. Part No. | Benennung | Denomination |
|-----------|--------------------|-----------|--------------|
|-----------|--------------------|-----------|--------------|







| Pos. Det. | Teile Nr. Part No. | Benennung   | Denomination   | Pos. Det. | Teile Nr. Part No. | Benennung                                   | Denomination                                 | Pos. Det. | Teile Nr. Part No. | Benennung   | Denomination   |
|-----------|--------------------|---|--|-----------|--------------------|---|--|-----------|--------------------|---|--|
|           | <b>79327401</b>    | <b>Teilesatz zum Aufschneiden des Paspelstreifens, 85–180 mm Nählänge, Nadelabstand 10 mm</b> | <b>Set of parts for piping cutting, 85–180 mm sewing length, needle distance 10 mm</b> |           |                    |   |  |           |                    |   |  |
| 1         | 79327402           | Greiffaltstempel kpl. (best. aus Pos. 2 bis 59)   | Catch folder cpl. (cons. of pos. 2 up to 59)   | 35        | 557263             | Scheibe                                     | Washer                                       | 76        | Z 11649            | Schalldämpfer   | Silencer   |
| 2         | 79327503           | Stegblech   | Base plate   | 36        | 79327586           | Leiste, links                               | Reglet, left hand                            | 77        | 93374261           | Muffe   | Bushing  |
| 3         | 79327505           | Führungsblech, links  | Guide plate, left hand   | 37        | 79327587           | Leiste, rechts                              | Reglet, right hand                           | 78        | 74640379           | Kupplungsstecker  | Coupler plug   |
| 4         | 79327506           | Führungsblech, rechts   | Guide plate, right hand  | 38        | 7933508            | Senkschraube                                | Countersunk screw                            | 79        | 74640378           | Kupplungsdose   | Coupler socket   |
| 5         | 57071 a            | Senkschraube  | Countersunk screw  | 39        | 79327592           | Halter                                      | Holder                                       | 80        | 7449779            | Steckteil   | Plug connector   |
| 6         | 79327512           | Hebel   | Lever  | 40        | 719127             | 6kt.-Schraube                               | Hexagonal screw                              | 81        | 7449801            | Kupplungsdose   | Coupler socket   |
| 7         | 79327517           | Bolzen  | Bolt   | 41        | 79325006           | Scheibe                                     | Washer                                       | 82        | 55614291           | Oder-Baustein   | Valve  |
| 8         | 5691922            | Zyl.-Schraube   | Cyl. head screw  | 42        | 79325008           | Bolzen                                      | Bolt   |           | <b>79327411</b>    | <b>Teilesatz zum Aufschneiden des Paspelstreifens, 85–180 mm Nählänge, Nadelabstand 12 mm</b> | <b>Set of parts for piping cutting, 85–180 mm sewing length, needle distance 12 mm</b> |
| 9         | 79327521           | Messer  | Knife  | 43        | 79327598           | Schutzblech                                 | Guard plate                                  |           |                    |   |  |
| 10        | 74611214           | Senkschraube  | Countersunk screw  | 44        | 79327599           | Buchse                                      | Bush   |           |                    |   |  |
| 12        | 79327523           | Platte  | Plate  | 45        | 2462209            | Senkschraube                                | Countersunk screw                            |           |                    |   |  |
| 13        | 79327525           | Nadelleiste, links, kpl. (mit Pos. 14)  | Needle reglet, left hand, cpl. (with pos. 14)  | 46        | 79327601           | Anschlag                                    | Stop   |           |                    |   |  |
| 14        | 74650517           | Nadel   | Needle   | 47        | 798123005          | Gewindestift                                | Threaded stud                                |           |                    |   |  |
| 15        | 79327531           | Nadelleiste, rechts, kpl. (mit Pos. 14)   | Needle reglet, right hand cpl. (with pos. 14)  | 48        | 74690312           | Gewindestift                                | Threaded stud                                |           |                    |   |  |
| 16        | 79327535           | Nadelleiste, außen, kpl. (mit Pos. 14)  | Needle reglet, outside, cpl. (with pos. 14)  | 49        | 271189             | Linsenschraube                              | Fillister head screw                         |           |                    |   |  |
| 17        | 2113324            | Linsenschraube  | Fillister head screw   | 50        | 5691895            | Scheibe                                     | Washer                                       | 83        | 79327412           | Greiffaltstempel kpl. (best. aus Pos. 2, 5 bis 59, 84, 85)                                    | Catch folder cpl. (cons. of pos. 2, 5 up to 59, 84, 85)                                |
| 18        | 79327539           | Ring  | Ring   | 51        | 79327611           | Klemmstück kpl. (mit Pos. 52)               | Clamping piece cpl. (with pos. 52)           |           |                    |   |  |
| 19        | 79327541           | Zylinder kpl. (mit Pos. 20, 21, 22, 23)   | Cylinder cpl. (with pos. 20, 21, 22, 23)   | 52        | 271413             | Linsenschraube                              | Fillister head screw                         |           |                    |   |  |
| 20        | 246348             | Lippenring  | Lip seal   | 53        | 271125             | Linsenschraube                              | Fillister head screw                         |           |                    |   |  |
| 21        | 79327561           | Kloben  | Block  | 54        | 7971541            | Zylinder                                    | Cylinder                                     |           |                    |   |  |
| 22        | 237202             | 6kt.-Mutter   | Hexagonal nut  | 55        | 79327623           | Kloben                                      | Block  |           |                    |   |  |
| 23        | 380289             | Scheibe   | Washer   | 56        | 746768             | L-Stecknippel                               | L-Plug nipple                                |           |                    |   |  |
| 24        | 7972016            | Schlauchtülle   | Hose nozzle  | 57        | 79327631           | Leitblech, links                            | Guide plate, left hand                       |           |                    |   |  |
| 25        | 74650562           | Buchse  | Bushing  | 58        | 79327632           | Leitblech, rechts                           | Guide plate, right hand                      |           |                    |   |  |
| 26        | 74650563           | Buchse  | Bushing  | 59        | 911339             | Linsenschraube                              | Fillister head screw                         |           |                    |   |  |
| 27        | 902514             | SDscheibe   | Washer   | 60        | 79327635           | Zugfeder                                    | Draw spring                                  |           |                    |   |  |
| 28        | 55881              | 6kt.-Schraube   | Hexagonal screw  | 61        | 79327721           | Auflage kpl. (best. aus Pos. 38, 62 bis 73) | Support cpl. (cons. of pos. 38, 62 up to 73) |           |                    |   |  |
| 29        | 74650985           | 6kt.-Schraube   | Hexagonal screw  | 62        | 79327724           | Auflage kpl. (mit Pos. 63)                  | Support cpl. (with pos. 63)                  |           |                    |   |  |
| 30        | 79327575           | Kloben  | Block  | 63        | 79327726           | Gummibelag                                  | Rubber strip                                 |           |                    |   |  |
| 31        | 74690366           | Zyl.-Schraube   | Cyl. head screw  | 64        | 79324028           | Auflageblech                                | Supporting plate                             |           |                    |   |  |
| 32        | 5511246            | Scheibe   | Washer   | 65        | 79324021           | Anschlag                                    | Stop   |           |                    |   |  |
| 33        | 79327581           | Leiste  | Reglet   | 66        | 79324022           | Leiste                                      | Reglet                                       |           |                    |   |  |
| 34        | P 121110           | 6kt.-Schraube   | Hexagonal screw  | 67        | 10019130           | Linsenschraube                              | Fillister head screw                         |           |                    |   |  |
|           |                    |   |  | 68        | 79324047           | Bolzen                                      | Bolt   |           |                    |   |  |
|           |                    |   |  | 69        | 746879             | Zyl.-Schraube                               | Cyl. head screw                              |           |                    |   |  |
|           |                    |   |  | 70        | 7944851            | Blasrohr                                    | Blowing pipe                                 |           |                    |   |  |
|           |                    |   |  | 71        | 5701847            | Blindstopfen                                | Blind plug                                   |           |                    |   |  |
|           |                    |   |  | 72        | 556947             | Zyl.-Schraube                               | Cyl. head screw                              |           |                    |   |  |
|           |                    |   |  | 73        | 5691895            | Scheibe                                     | Washer                                       |           |                    |   |  |
|           |                    |   |  | 74        | 797332             | Magnetventil                                | Solenoid valve                               |           |                    |   |  |
|           |                    |   |  | 75        | 7443572            | Steckverbindung                             | Plug connector                               |           |                    |   |  |

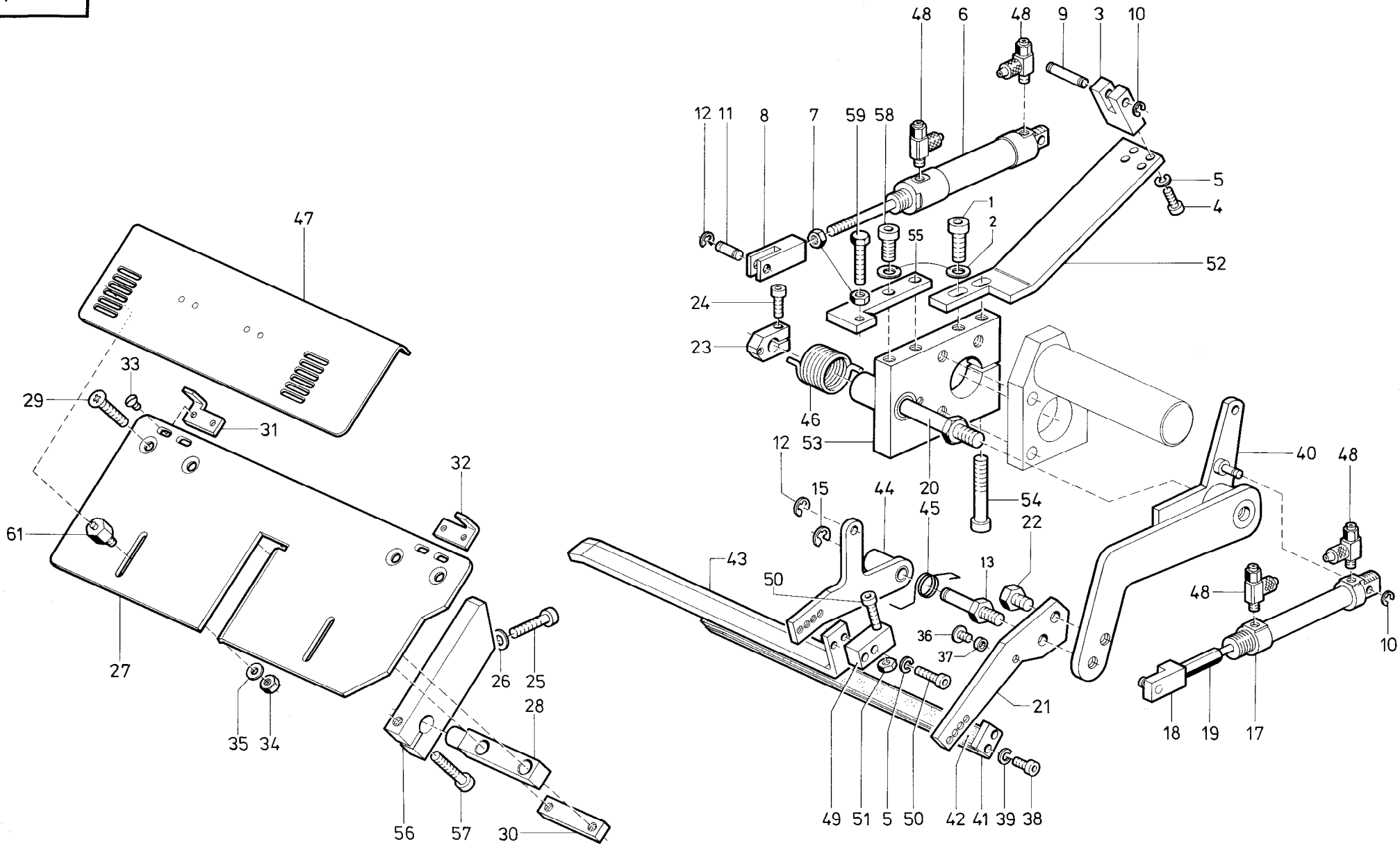


| Pos. Det. | Teile Nr. Part No. | Benennung   | Denomination   |
|-----------|--------------------|---|--|
|           | <b>79327405</b>    | <b>Teilesatz zum Aufschneiden des Paspelstreifens, 85–155 mm Nählänge, Nadelabstand 10 mm</b> | <b>Set of parts for piping cutting, 85–155 mm sewing length, needle distance 10 mm</b> |
| 1         | 79327406           | Greiffaltstempel kpl. (best. aus Pos. 2 bis 66)   | Catch folder cpl. (cons. of pos. 2 up to 66)   |
| 2         | 57071 a            | Senkschraube  | Countersunk screw  |
| 3         | 79327512           | Hebel   | Lever  |
| 4         | 79327517           | bolzen  | Bolt   |
| 5         | 5691922            | Zyl.-Schraube   | Cyl. head screw  |
| 6         | 79327521           | Messer  | Knife  |
| 7         | 74611214           | Senkschraube  | Countersunk screw  |
| 8         | 79327523           | Platte  | Plate  |
| 9         | 79327525           | Nadelleiste kpl. (mit Pos. 10)  | Needle reglet cpl. (with pos. 10)  |
| 10        | 74650517           | Nadel   | Needle   |
| 11        | 79327535           | Nadelleiste kpl. (mit Pos. 10)  | Needle reglet cpl. (with pos. 10)  |
| 12        | 2113324            | Linsenschraube  | Fillister head screw   |
| 13        | 79327539           | Ring  | Ring   |
| 14        | 79327541           | Zylinder kpl. (mit Pos. 15, 16, 17, 18)   | Cylinder cpl. (with pos. 15, 16, 17, 18)   |
| 15        | 246348             | Lippenring  | Lip seal   |
| 16        | 79327561           | Kloben  | Block  |
| 17        | 237202             | 6kt.-Mutter   | Hexagonal nut  |
| 18        | 380289             | Scheibe   | Washer   |
| 19        | 7972016            | Schlauchtülle   | Hose nozzle  |
| 20        | 74650562           | Buchse  | Bush   |
| 21        | 74650563           | Buchse  | Bush   |
| 22        | 902514             | Scheibe   | Washer   |
| 23        | 55881              | 6kt.-Schraube   | Hexagonal screw  |
| 24        | 74650985           | 6kt.-Schraube   | Hexagonal screw  |
| 25        | 79327575           | Kloben  | Block  |
| 26        | 74690366           | Zyl.-Schraube   | Cyl. head screw  |
| 27        | 5511246            | Scheibe   | Washer   |
| 28        | 79327581           | Leiste  | Reglet   |
| 29        | P 121110           | 6kt.-Schraube   | Hexagonal screw  |
| 30        | 557263             | Scheibe   | Washer   |
| 31        | 7933508            | Senkschraube  | Countersunk screw  |
| 32        | 79327592           | Halter  | Holder   |
| 33        | 719127             | 6kt.-Mutter   | Hexagonal nut  |
| 34        | 79325006           | Scheibe   | Washer   |

| Pos. Det. | Teile Nr. Part No. | Benennung                                   | Denomination                                 |
|-----------|--------------------|---|--|
| 35        | 79325008           | Bolzen                                      | Bolt   |
| 36        | 79327598           | Schutzblech                                 | Guard sheet                                  |
| 37        | 79327599           | Buchse                                      | Bush   |
| 38        | 2462209            | Senkschraube                                | Countersunk screw                            |
| 39        | 79327601           | Anschlag                                    | Stop   |
| 40        | 798123005          | Gewindestift                                | Threaded stud                                |
| 41        | 74690312           | Gewindestift                                | Threaded stud                                |
| 42        | 271189             | Linsenschraube                              | Fillister head screw                         |
| 43        | 5691895            | Scheibe                                     | Washer                                       |
| 44        | 79327611           | Klemmstück kpl. (mit Pos. 45)               | Clamping piece cpl. (with pos. 45)           |
| 45        | 2711413            | Linsenschraube                              | Fillister head screw                         |
| 46        | 271125             | Linsenschraube                              | Fillister head screw                         |
| 47        | 79327623           | Klobem                                      | Block  |
| 48        | 746768             | Stecknippel                                 | Plug nipple                                  |
| 49        | 79327631           | Leitblech                                   | Guide plate                                  |
| 50        | 79327632           | Leitblech                                   | Guide plate                                  |
| 51        | 911339             | Linsenschraube                              | Fillister head screw                         |
| 52        | 79327635           | Zugfeder                                    | Draw spring                                  |
| 53        | 79327653           | Stegblech                                   | Base plate                                   |
| 54        | 79327655           | Führungsblech                               | Guide plate                                  |
| 55        | 79327656           | Führungsblech                               | Guide plate                                  |
| 56        | 79327658           | Nadelleiste kpl. (mit Pos. 10)              | Needle reglet cpl. (with pos. 10)            |
| 57        | 79327661           | Leiste                                      | Reglet                                       |
| 58        | 79327662           | Leiste                                      | reglet                                       |
| 59        | 79327664           | Kloben                                      | Block  |
| 60        | 79327667           | Klemmstück                                  | Clamping piece                               |
| 61        | 2711413            | Linsenschraube                              | Fillister head screw                         |
| 62        | K999202711         | Schelle                                     | Clip   |
| 63        | 223723             | Flachkopfschraube                           | Flat head screw                              |
| 64        | 71812449           | Zylinder                                    | Cylinder                                     |
| 65        | Z 1511047          | Buchse                                      | Bush   |
| 66        | 7971542            | Zylinder                                    | Cylinder                                     |
| 67        | 79327721           | Auflage kpl. (best. aus Pos. 31, 68 bis 79) | Support cpl. (cons. of pos. 31, 68 up to 79) |
| 68        | 79327727           | Auflage kpl. (mit Pos. 69)                  | Support cpl. (with pos. 69)                  |
| 69        | 79327726           | Gummibelag                                  | Rubber strip                                 |
| 70        | 79324028           | Auflageblech                                | Supporting plate                             |
| 71        | 79324021           | Anschlag                                    | Stop   |
| 72        | 79324022           | Leiste                                      | Reglet                                       |
| 73        | 10019130           | Linsenschraube                              | Fillister head screw                         |
| 74        | 79324047           | Bolzen                                      | Bolt   |

| Pos. Det. | Teile Nr. Part No. | Benennung   | Denomination   |
|-----------|--------------------|---|--|
| 75        | 746879             | Zyl.-Schraube   | Cyl. head screw  |
| 76        | 7944851            | Blasrohr  | Blowing pipe   |
| 77        | 5701847            | Blindstopfen  | Blind plug   |
| 78        | 556947             | Zyl.-Schraube   | Cyl. head screw  |
| 79        | 5691895            | Scheibe   | Washer   |
| 80        | 797332             | Magnetventil  | Solenoid valve   |
| 81        | 7443572            | Steckverbindung   | Plug connector   |
| 82        | Z 11649            | Schalldämpfer   | Silencer   |
| 83        | 7449779            | Steckteil   | Plug connector   |
| 84        | 7449801            | Kupplungsdose   | Coupler socket   |
| 85        | 746768             | Stecknippel   | Plug nipple  |
| 86        | 93374261           | Muffe   | Bushing  |
| 87        | 74640378           | Kupplungsdose   | Coupler socket   |
| 88        | 74640379           | Kupplungsstecker  | Coupler plug   |
| 89        | 55614291           | Oder-Baustein   | Valve  |
|           | <b>79327415</b>    | <b>Teilesatz zum Aufschneiden des Paspelstreifens, 85–155 mm Nählänge, Nadelabstand 12 mm</b> | <b>Set of parts for piping cutting, 85–155 mm sewing length, needle distance 12 mm</b> |
| 90        | 79327416           | Greiffaltstempel kpl. (best. aus Pos. 2 bis 53, 56 bis 66, 91, 92)                            | Catch folder cpl. (cons. of pos. 2 up to 53, 56 up to 91, 92)                          |

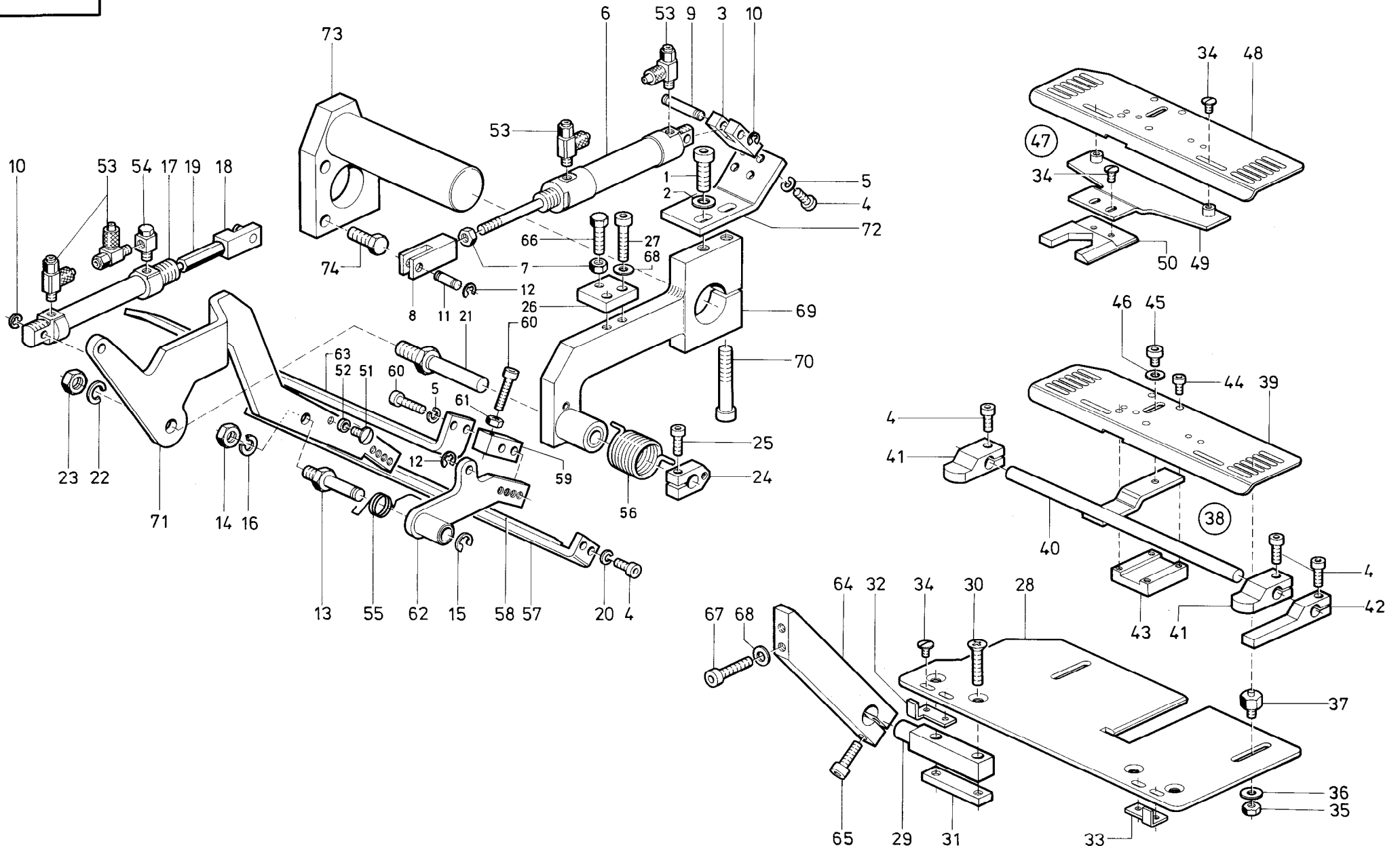




| Pos. Det. | Teile Nr. Part No. | Benennung   | Denomination                                     |
|-----------|--------------------|---|--|
|           | <b>7945031</b>     | <b>Zuführeinrichtung für Paspel-Schneideinrichtung kpl.</b> | <b>Feeder for the piping cutting device cpl.</b> |
| 1         | 556362             | Zyl.-Schraube   | Cyl. head screw                                  |
| 2         | 557263             | Scheibe   | Washer   |
| 3         | 74680166           | Lagerbock   | Bearing block                                    |
| 4         | 570912             | Zyl.-Schraube   | Cyl. head screw                                  |
| 5         | 5561075            | federring   | Spring ring                                      |
| 6         | 74221996           | Zylinder  | Cylinder   |
| 7         | MG 8/7d            | 6kt.-Mutter   | Hexagonal nut                                    |
| 8         | 74680173           | Gabelkopf   | Fork head  |
| 9         | Z 11811            | Zylinderstift   | Cylinder pin                                     |
| 10        | 255129             | Sicher.-Scheibe   | Lock washer                                      |
| 11        | MG 43/2970         | Bolzen  | Bolt   |
| 12        | 570138             | Sicher.-Scheibe   | Lock washer                                      |
| 13        | 74680190           | Bolzen  | Bolt   |
| 15        | 211100a            | Sicher.-Scheibe   | Lock washer                                      |
| 17        | 7971532            | Zylinder  | Cylinder   |
| 18        | 7944045a           | Kloben  | Block  |
| 19        | 7944047            | Hülse   | Sleeve   |
| 20        | 74680206           | Bolzen  | Bolt   |
| 21        | 7945061            | Hebel   | Lever  |
| 22        | 9424586            | 6kt.-Schraube   | Hexagonal screw                                  |
| 23        | 74680212           | Stellkloben   | Adjusting block                                  |
| 24        | 7441968            | Zyl.-Schraube   | Cyl. head screw                                  |
| 25        | 2386530            | Zyl.-Schraube   | Cyl. head screw                                  |
| 26        | 024275             | Scheibe   | Washer   |
| 27        | 74680231           | Auflage   | Rest   |
| 28        | 74680233           | Bolzen  | Bolt   |
| 29        | 570939a            | Senkschraube  | Countersunk screw                                |
| 30        | 74640100           | Gewindelasche   | Threaded shackle                                 |
| 31        | 74680235           | Anschlag  | Stop   |
| 32        | 74680236           | Anschlag  | Stop   |
| 33        | 911339             | Linsenschraube  | Fillister head screw                             |
| 34        | 202704             | 6kt.-Mutter   | Hexagonal nut                                    |
| 35        | 5691895            | Scheibe   | Washer   |
| 36        | 9336268            | Linsenschraube  | Fillister head screw                             |
| 37        | 2113058            | Ring  | Ring   |
| 38        | 570912             | Zyl.-Schraube   | Cyl. head screw                                  |
| 39        | 5561075            | Federring   | Spring ring                                      |
| 40        | 7945055            | Hebel   | Lever  |
| 41        | 74680315           | Klemmleiste kpl.<br>(mit Pos. 42)                           | Clamping reglet cpl.<br>(with pos. 42)           |
| 42        | 0020090229000      | Klebeband   | Adhesive tape                                    |

| Pos. Det. | Teile Nr. Part No. | Benennung                        | Denomination                          |
|-----------|--------------------|----------------------------------|---------------------------------------|
| 43        | 74680316a          | Klemmleiste, links               | Clamping reglet, left hand            |
| 44        | 7945064            | Hebel                            | Lever                                 |
| 45        | 7944520            | Drehfeder                        | Torsion spring                        |
| 46        | 74680321           | Drehfeder                        | Torsion spring                        |
| 47        | 7944522            | Anschlag                         | Stop                                  |
| 48        | 797412             | Drosselventil                    | Throttle valve                        |
| 49        | 7944837            | Zwischenstück                    | Adjusting piece                       |
| 50        | 7461212            | Zyl.-Schraube                    | Cyl. head screw                       |
| 51        | 202704             | 6kt.-Mutter                      | Hexagonal nut                         |
| 52        | 7945048            | Platte                           | Plate                                 |
| 53        | 7944806            | Halter kpl.<br>(mit Pos. 54)     | Holder cpl.<br>(with pos. 54)         |
| 54        | 7441694            | Zyl.-Schraube                    | Cyl. head screw                       |
| 55        | 7944813            | Platte                           | Plate                                 |
| 56        | 7945068            | Klemmstück kpl.<br>(mit Pos. 57) | Clamping piece cpl.<br>(with pos. 57) |
| 57        | 92211296           | Zyl.-Schraube                    | Cyl. head screw                       |
| 58        | 74240277           | Zyl.-Schraube                    | Cyl. head screw                       |
| 59        | 93910071           | 6kt.-Schraube                    | Hexagonal screw                       |
| 61        | 74640074           | Distanzstück                     | Distance piece                        |

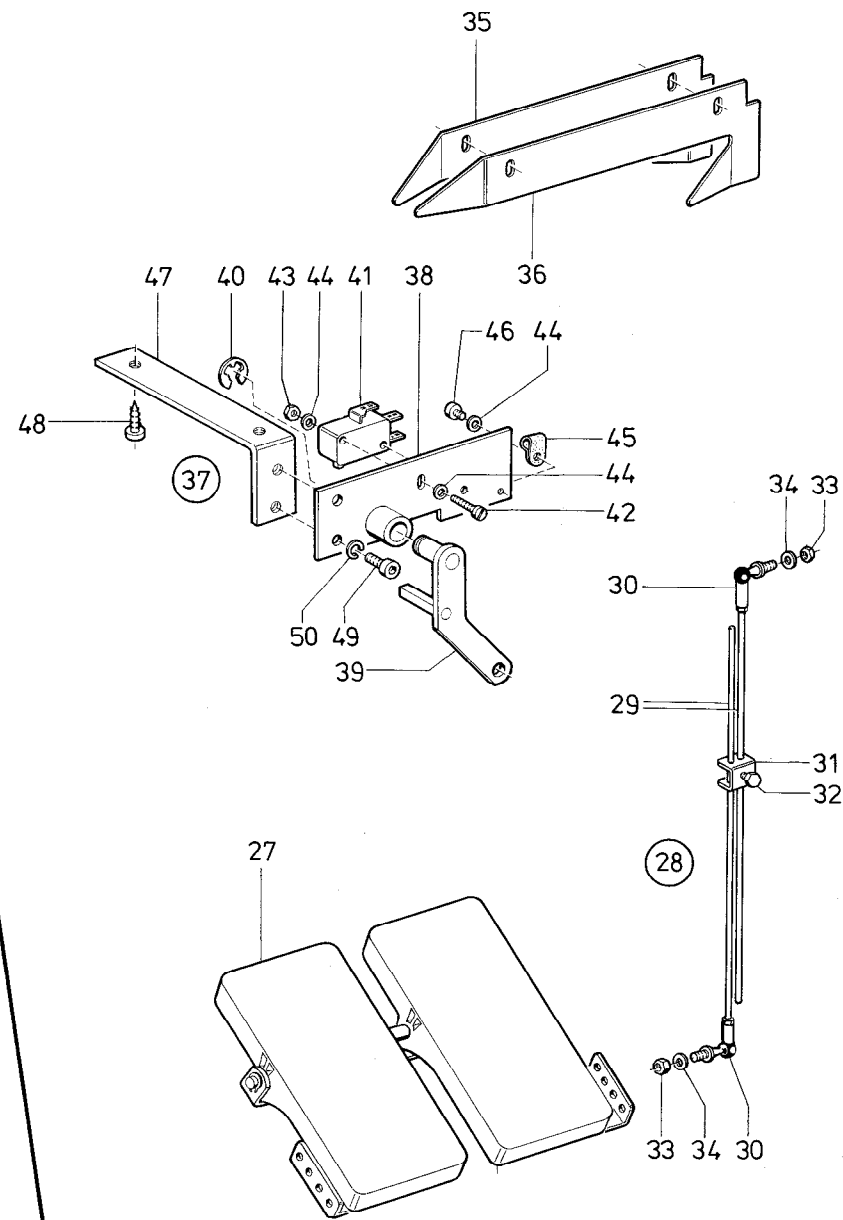
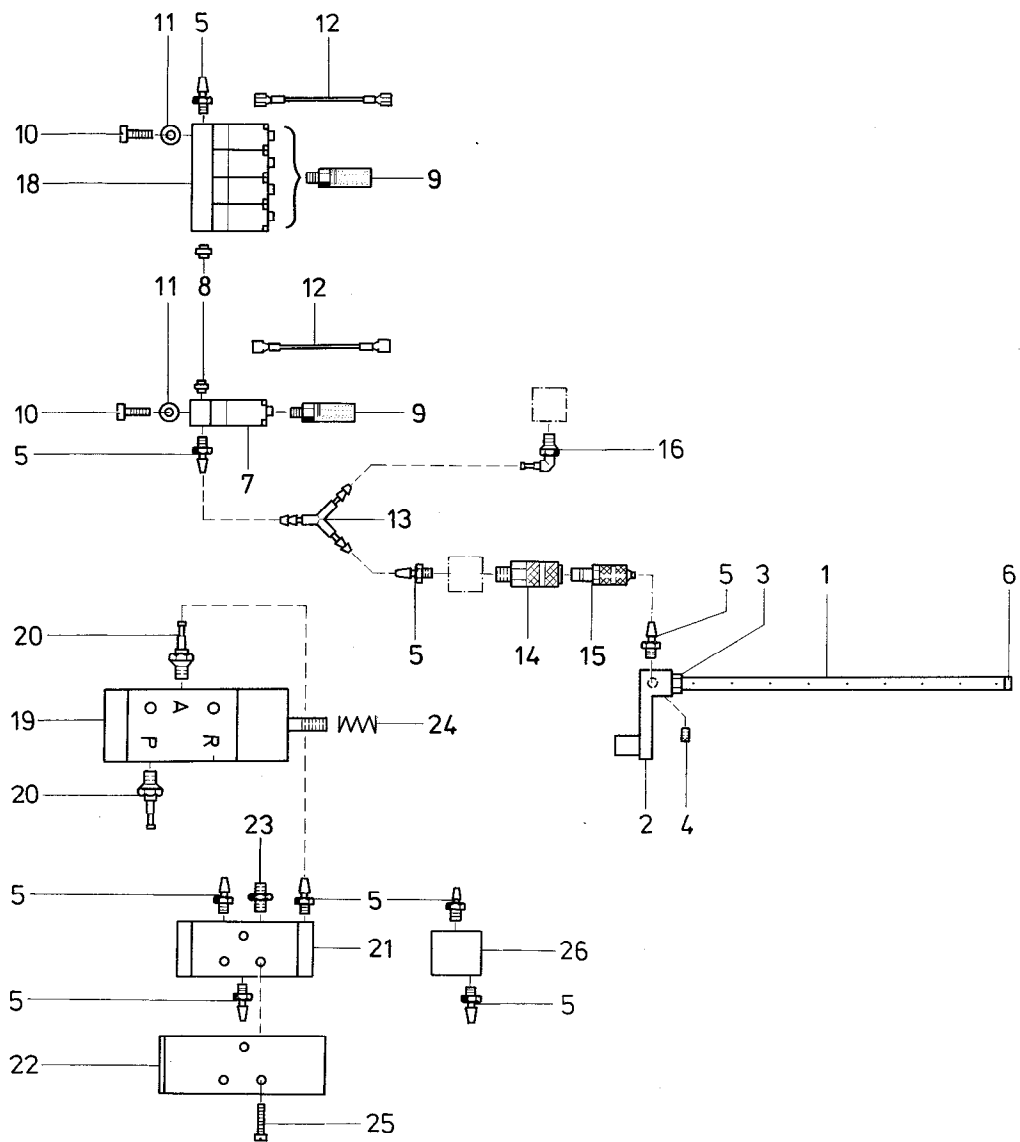
| Pos. Det. | Teile Nr. Part No. | Benennung | Denomination |
|-----------|--------------------|-----------|--------------|
|-----------|--------------------|-----------|--------------|



| Pos. Det. | Teile Nr. Part No. | Benennung   | Denomination   |
|-----------|--------------------|---|--|
|           |                    | <b>Zuführeinrichtung für Paspel-Schneideinrichtung kpl.</b> | <b>Feeder for the piping cutting device cpl.</b>     |
| 1         | 556362             | Zyl.-Schraube   | Cyl. head screw                                      |
| 2         | 557263             | Scheibe   | Washer   |
| 3         | 74680166           | Lagerbock   | Bearing block  |
| 4         | 570912             | Zyl.-Schraube   | Cyl. head screw                                      |
| 5         | 5561075            | Federring   | Spring ring  |
| 6         | 74221996           | Zylinder  | Cylinder   |
| 7         | MG 8/7d            | 6kt.-Mutter   | Hexagonal nut  |
| 8         | 74680173           | Gabelkopf   | Fork head  |
| 9         | Z 11811            | Zylinderstift   | Cylinder pin   |
| 10        | 255129             | Sicher.-Scheibe   | Lock washer  |
| 11        | MG 43/2970         | Bolzen  | Bolt   |
| 12        | 570138             | Sicher.-Scheibe   | Lock washer  |
| 13        | 74680190           | Bolzen  | Bolt   |
| 14        | MG 43/408          | 6kt.-Mutter   | Hexagonal nut  |
| 15        | 211100a            | Sicher.-Scheibe   | Lock washer  |
| 16        | 7441131            | Federring   | Spring ring  |
| 17        | 7971532            | Zylinder  | Cylinder   |
| 18        | 7944045a           | Kloben  | Block  |
| 19        | 7944047            | Hülse   | Sleeve   |
| 20        | 5561075            | Federring   | Spring ring  |
| 21        | 74680206           | Bolzen  | Bolt   |
| 22        | 725520b            | Federring   | Spring ring  |
| 23        | 72042a             | 6kt.-Mutter   | Hexagonal nut  |
| 24        | 74680212           | Stellkloben   | Adjusting block                                      |
| 25        | 7441968            | Zyl.-Schraube   | Cyl. head screw                                      |
| 26        | 74680216           | Platte  | Plate  |
| 27        | 93370175           | Zyl.-Schraube   | Cyl. head screw                                      |
| 28        | 74680232           | Auflage   | Rest   |
| 29        | 74680233           | Bolzen  | Bolt   |
| 30        | 570939a            | Senkschraube  | Countersunk screw                                    |
| 31        | 74640100           | Gewindelassche  | Threaded shackle                                     |
| 32        | 74680235           | Anschlag  | Stop   |
| 33        | 74680236           | Anschlag  | Stop   |
| 34        | 911339             | Linsenschraube  | Fillister head screw                                 |
| 35        | 202704             | 6kt.-Mutter   | Hexagonal nut  |
| 36        | 5691895            | Scheibe   | Washer   |
| 37        | 74640074           | Distanzstück  | Distance piece                                       |
| 38        | 7928311            | Formanschlag kpl.<br>(best. aus Pos. 4,<br>39 bis 46)       | Shape stop cpl.<br>(cons. of pos. 4,<br>39 up to 46) |
| 39        | 74640338           | Halter  | Holder   |

| Pos. Det. | Teile Nr. Part No. | Benennung   | Denomination   |
|-----------|--------------------|---|--|
| 40        | 7928321            | Stange  | Rod  |
| 41        | 7928326            | Kloben kpl.<br>(mit Pos. 4)                             | Block cpl.<br>(with pos. 4)                          |
| 42        | 7928328            | Anschlag kpl.<br>(mit Pos. 4)                           | Stop cpl.<br>(with pos. 4)                           |
| 43        | 7928334            | Führung   | Guidance   |
| 44        | 216497             | Zyl.-Schraube   | Cyl. head screw                                      |
| 45        | 223723             | Zyl.-Schraube   | Cyl. head screw                                      |
| 46        | 55890              | Scheibe   | Washer   |
| 47        | 74680281           | Formanschlag kpl.<br>(best. aus Pos. 34, 48,<br>49, 50) | Shape stop cpl.<br>(cons. of pos. 34, 48,<br>49, 50) |
| 48        | 74640338           | Halter  | Holder   |
| 49        | 74680283           | Platte  | Plate  |
| 50        | 74680287           | Aufnahme  | Retainer   |
| 51        | 9336268            | Linsenschraube  | Fillister head screw                                 |
| 52        | 2113058            | Ring  | Ring   |
| 53        | 797412             | Drosselventil   | Throttle valve                                       |
| 54        | 23810073           | Winkelstück   | Square piece   |
| 55        | 7944520            | Drehfeder   | Torsion spring                                       |
| 56        | 74680321           | Drehfeder   | Torsion spring                                       |
| 57        | 7944605            | Klemmleiste kpl.<br>(mit Pos. 58)                       | Clamping reglet cpl.<br>(with pos. 58)               |
| 58        | 0020090229000      | Klebeband   | Adhesive tape  |
| 59        | 7944837            | Zwischenstück   | Adjusting piece                                      |
| 60        | 7461212            | Zyl.-Schraube   | Cyl. head screw                                      |
| 61        | 202704             | 6kt.-Mutter   | Hexagonal nut  |
| 62        | 74680317           | Hebel   | Lever  |
| 63        | 7944609            | Klemmleiste   | Clamping reglet                                      |
| 64        | 7944815            | Klemmstück kpl.<br>(mit Pos. 65)                        | Clamping piece cpl.<br>(with pos. 65)                |
| 65        | 93311296           | Zyl.-Schraube   | Cyl. head screw                                      |
| 66        | 93910071           | 6kt.-Schraube   | Hexagonal screw                                      |
| 67        | 2386530            | Zyl.-Schraube   | Cyl. head screw                                      |
| 68        | 024275             | Scheibe   | Washer   |
| 69        | 7944913            | Halter kpl.<br>(mit Pos. 70)                            | Holder cpl.<br>(with pos. 70)                        |
| 70        | 7441694            | Zyl.-Schraube   | Cyl. head screw                                      |
| 71        | 7944922            | Hebel   | Lever  |
| 72        | 7944926            | Platte  | Plate  |
| 73        | 7945044            | Verbinder   | Connector  |
| 74        | 719127             | 6kt.-Schraube   | Hexagonal screw                                      |

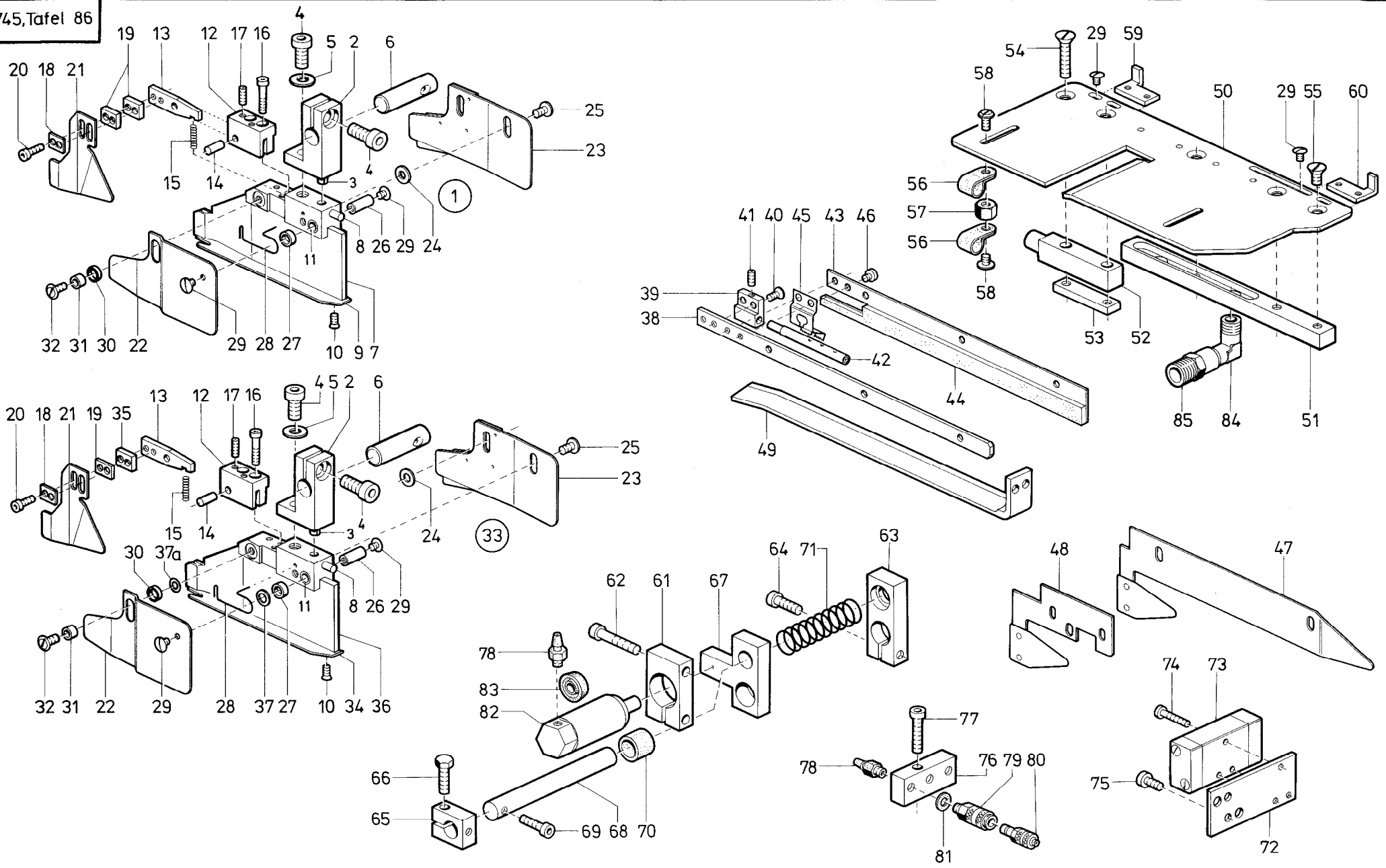
| Pos. Det. | Teile Nr. Part No. | Benennung | Denomination |
|-----------|--------------------|-----------|--------------|
|-----------|--------------------|-----------|--------------|

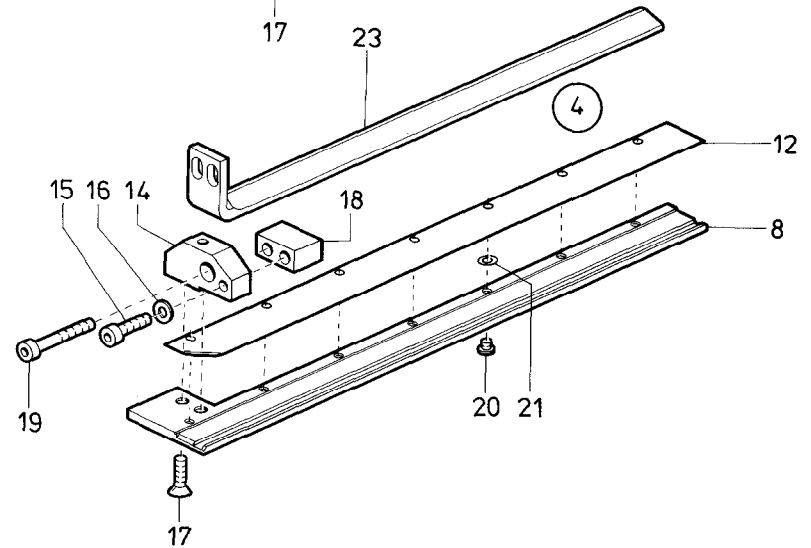
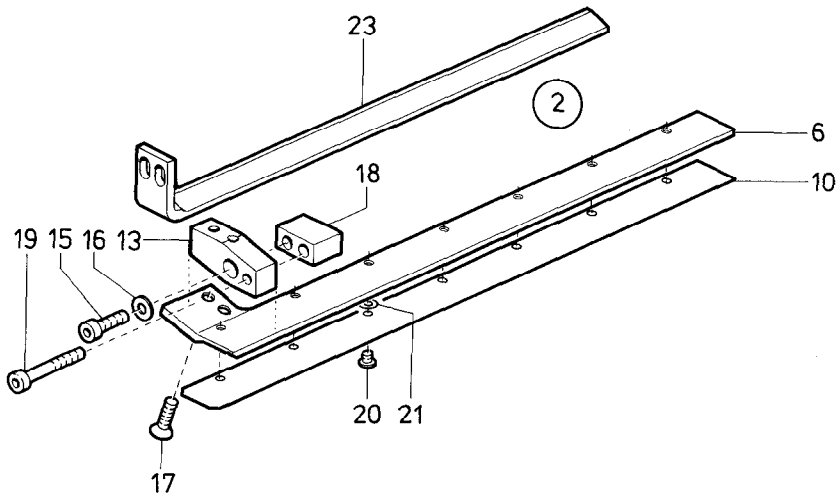
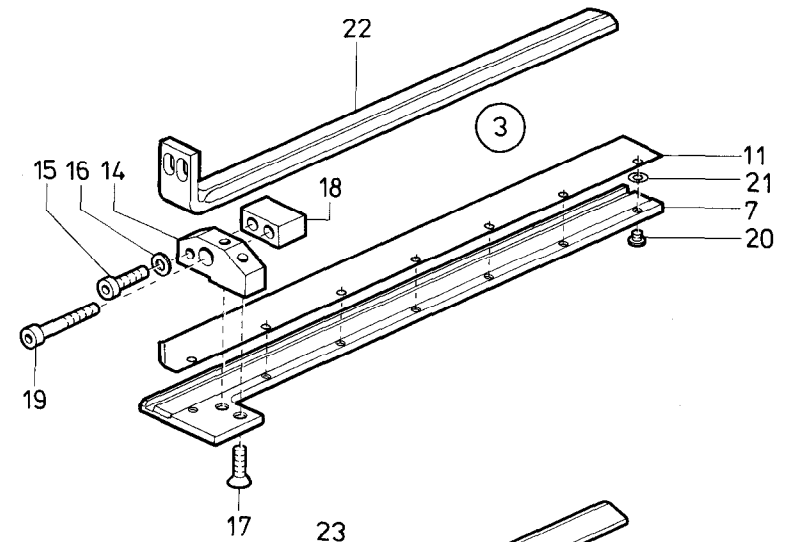
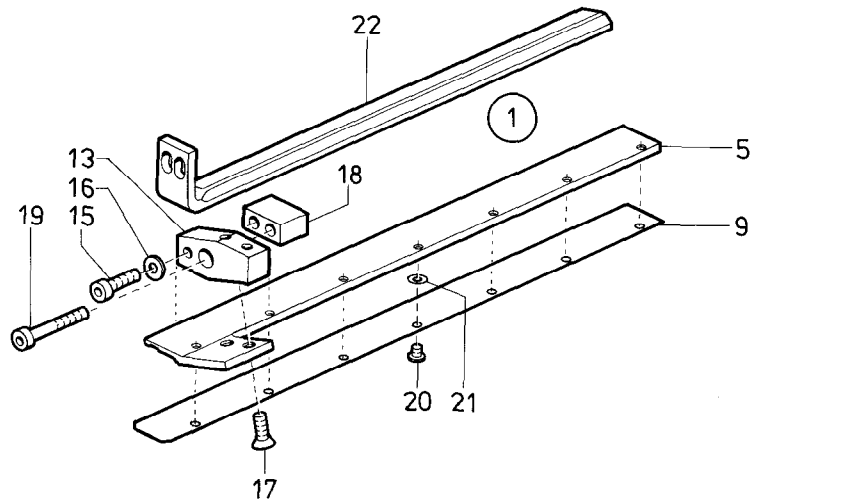


| Pos. Det. | Teile Nr. Part No. | Benennung  | Denomination                                     |
|-----------|--------------------|--|--|
|           |                    | <b>Zuführeinrichtung für Paspel-Schneid-einrichtung kpl.</b> | <b>Feeder for the piping cutting device cpl.</b> |
| 1         | 7943505            | Blasrohr   | Blowin pipe                                      |
| 2         | 7943507            | Hebel  | Lever  |
| 3         | 216660             | 6kt.-Mutter  | Hexagonal nut                                    |
| 4         | 420328             | Gewindestift   | Threaded stud                                    |
| 5         | 7972016            | Schlauchdüse   | Hose nozzle                                      |
| 6         | 5701847            | Blindstopfen   | Blind plug                                       |
| 7         | 797331*            | Magnetventil   | Solenoid valve                                   |
| 8         | 7443572            | Steckverbindung  | Coupler plug                                     |
| 9         | Z 11649            | Schalldämpfer  | Silencer   |
| 10        | 7441509            | Zyl.-Schraube  | Cyl. head screw                                  |
| 11        | 024275             | Scheibe  | Washer   |
| 12        | 74221623           | Leitung  | Cable  |
| 13        | 7972201            | Y-Verbindung   | Y-Connector                                      |
| 14        | 74640378           | Kuppl.-Dose  | Coupler socket                                   |
| 15        | 74640379           | Kuppl.-Stecker   | Coupler plug                                     |
| 16        | 746768             | Schl.-Verschr.   | Hose coupling screw                              |
| 18        | 797334*            | Magnetventil   | Solenoid valve                                   |
| 19        | Z 100344           | 3/2-Wegeventil   | Valve  |
| 20        | 7422238            | Schl.-Verschr.   | Hose coupling screw                              |
| 21        | 797210             | 5/2-Wegeventil   | Valve  |
| 22        | 7944867            | Winkel   | Angle  |
| 23        | Z 11650            | Doppelnippel   | Double nipple                                    |
| 24        | 249131             | Druckfeder   | Pressure spring                                  |
| 25        | 5693278            | Zyl.-Schraube  | Cyl. head screw                                  |
| 26        | 55614291           | Oder-Baustein  | Valve  |
| 27        | MG 43/2548         | Pedal  | Pedal  |
| 28        | 74610921           | Gestände kpl. (best. aus Pos. 29 bis 34)                     | Rods cpl. (cons. of pos. 29 up to 34)            |
| 29        | 74610922           | Druckstange  | Pressure bar                                     |
| 30        | 5562267            | Kugelgelenk  | Link   |
| 31        | MG 43/403          | Klemme   | Clamp  |
| 32        | MG 43/404          | 6kt.-Schraube  | Hexagonal screw                                  |
| 33        | MG 43/409          | 6kt.-Mutter  | Hexagonal nut                                    |
| 34        | MG 43/2510         | Scheibe  | Washer   |
| 35        | 7944129            | Leitblech  | Guide plate                                      |
| 36        | 7944130            | Leitblech  | Guide plate                                      |
| 37        | 74680251           | Schalterplatte kpl. (best. aus Pos. 38 bis 50)               | Switch plate cpl. (cons. of pos. 38 up to 50)    |
| 38        | 74680252           | Lagerplatte  | Bearing plate                                    |
| 39        | 74680256           | Hebel  | Lever  |

| Pos. Det. | Teile Nr. Part No. | Benennung                       | Denomination                          |
|-----------|--------------------|---------------------------------|---------------------------------------|
| 40        | 93002119           | Sicher.-Scheibe                 | Lock washer                           |
| 41        | 739878             | Mikroschalter                   | Micro switch                          |
| 42        | 5693278            | Zyl.-Schraube                   | Cyl. head screw                       |
| 43        | 5511824            | 6kt.-Mutter                     | Hexagonal nut                         |
| 44        | 1005233            | Scheibe                         | Washer                                |
| 45        | 94210318           | Schelle                         | Clip                                  |
| 46        | 739297             | Zyl.-Schraube                   | Cyl. head screw                       |
| 47        | 74680273           | Winkel                          | Angle                                 |
| 48        | 7441115            | Holzschraube                    | Wood screw                            |
| 49        | 2461049            | Zyl.-Schraube                   | Cyl. head screw                       |
| 50        | 719124             | Federring                       | Spring ring                           |
|           | 797322*            | Magnetventil ohne Montageplatte | Solenoid valve without mounting plate |

| Pos. Det. | Teile Nr. Part No. | Benennung | Denomination |
|-----------|--------------------|-----------|--------------|
|-----------|--------------------|-----------|--------------|



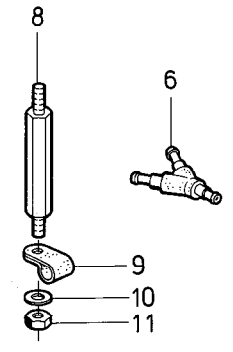
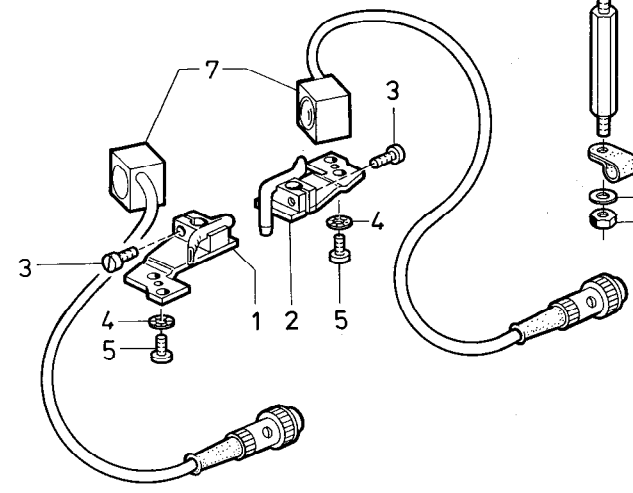
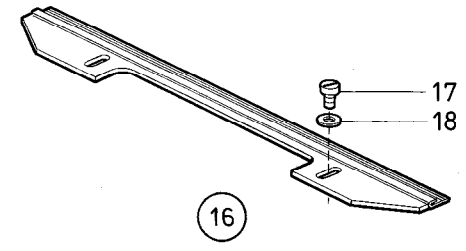
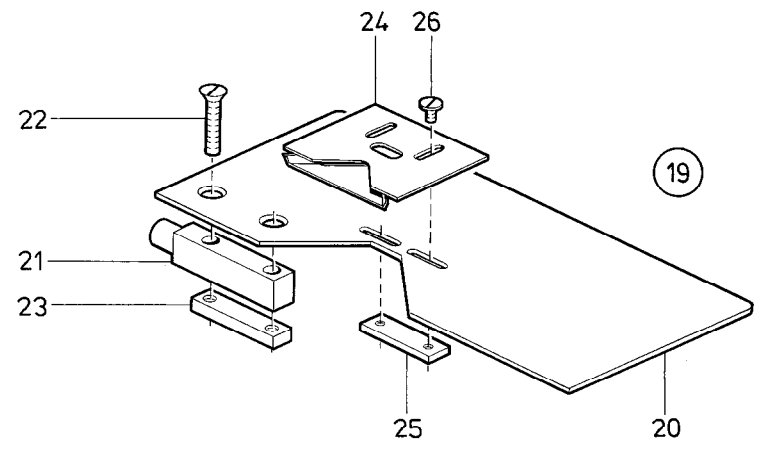
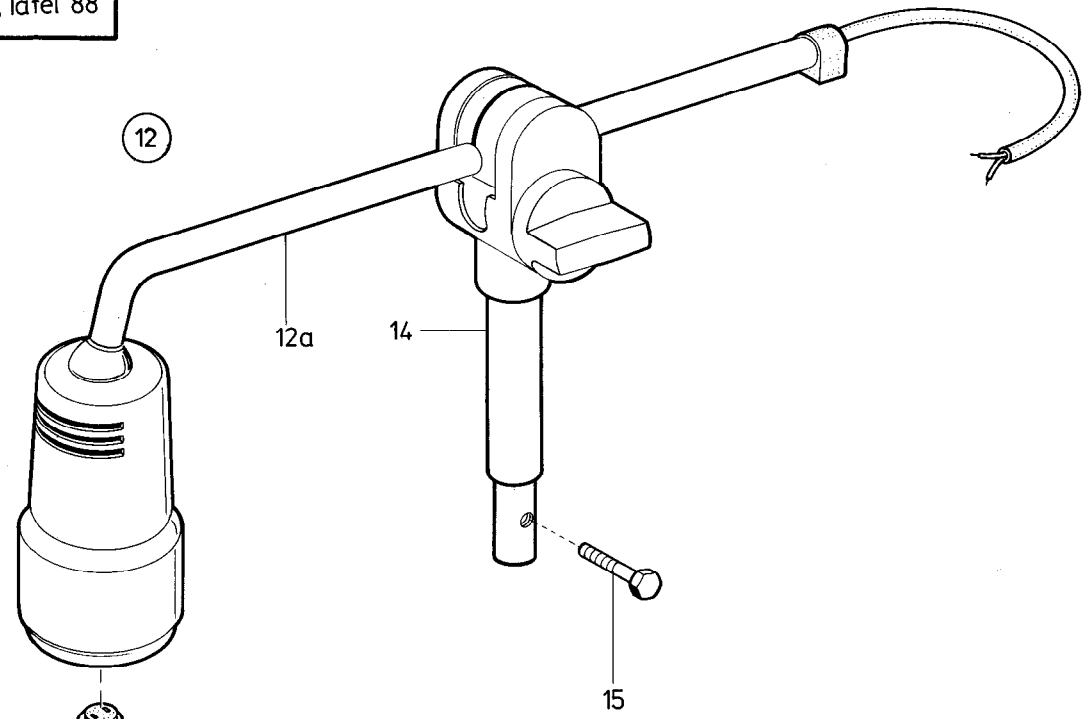




| Pos. Det. | Teile Nr. Part No. | Benennung   | Denomination   |
|-----------|--------------------|---|--|
| 1         | 7946151            | Teilesatz für Reißverschluss, links, kpl.<br>(best. aus Pos. 5, 9, 13, 15 bis 22)       | Set of parts for left hand zipper, cpl.<br>(cons. of pos. 5, 9, 13, 15 up to 22)       |
| 2         | 7946152            | Teilesatz für Reißverschluss, rechts, kpl.<br>(best. aus Pos. 6, 10, 13, 15 bis 21, 23) | Set of parts for right hand zipper, cpl.<br>(cons. of pos. 6, 10, 13, 15 up to 21, 23) |
| 3         | 7946153            | Teilesatz für Reißverschluss, links, kpl.<br>(best. aus Pos. 7, 11, 14 bis 20, 21, 22)  | Set of parts for left hand zipper, cpl.<br>(cons. of pos. 7, 11, 14 up to 20, 21, 22)  |
| 4         | 7946154            | Teilesatz für Reißverschluss, rechts, kpl.<br>(best. aus Pos. 8, 12, 14 bis 21, 23)     | Set of parts for right hand zipper, cpl.<br>(cons. of pos. 8, 12, 14 up to 21, 23)     |
| 5         | 7946161            | Führungsleiste (links)  | Guide reglet (left hand)   |
| 6         | 7946162            | Führungsleiste (rechts)   | Guide reglet (right hand)  |
| 7         | 7946163            | Führungsleiste (links)  | Guide reglet (left hand)   |
| 8         | 7946164            | Führungsleiste (rechts)   | Guide reglet (right hand)  |
| 9         | 7946171            | Deckblech   | Covering sheet   |
| 10        | 7946172            | Deckblech   | Covering sheet   |
| 11        | 7946173            | Deckblech   | Covering sheet   |
| 12        | 7946174            | Deckblech   | Covering sheet   |
| 13        | 7947177            | Halter  | Holder   |
| 14        | 7946178            | Halter  | Holder   |
| 15        | 74420778           | Zyl.-Schraube   | Cyl. head screw  |
| 16        | 5691895            | Scheibe   | Washer   |
| 17        | 271297             | Senkschraube  | Countersunk screw  |
| 18        | 7946189*           | Kloben  | Block  |
| 19        | 93311399*          | Zyl.-Schraube   | Cyl. head screw  |
| 20        | 9024102            | Zyl.-Schraube   | Cyl. head screw  |
| 21        | 5586199            | Scheibe   | Washer   |
| 22        | 7946191            | Klemmleiste   | Clamping reglet  |
| 23        | 7946192            | Klemmleiste   | Clamping reglet  |
|           |                    | * Nur bei Bedarf!   | * For requirement only!  |

| Pos. Det. | Teile Nr. Part No. | Benennung | Denomination |
|-----------|--------------------|-----------|--------------|
|           |                    |           |              |

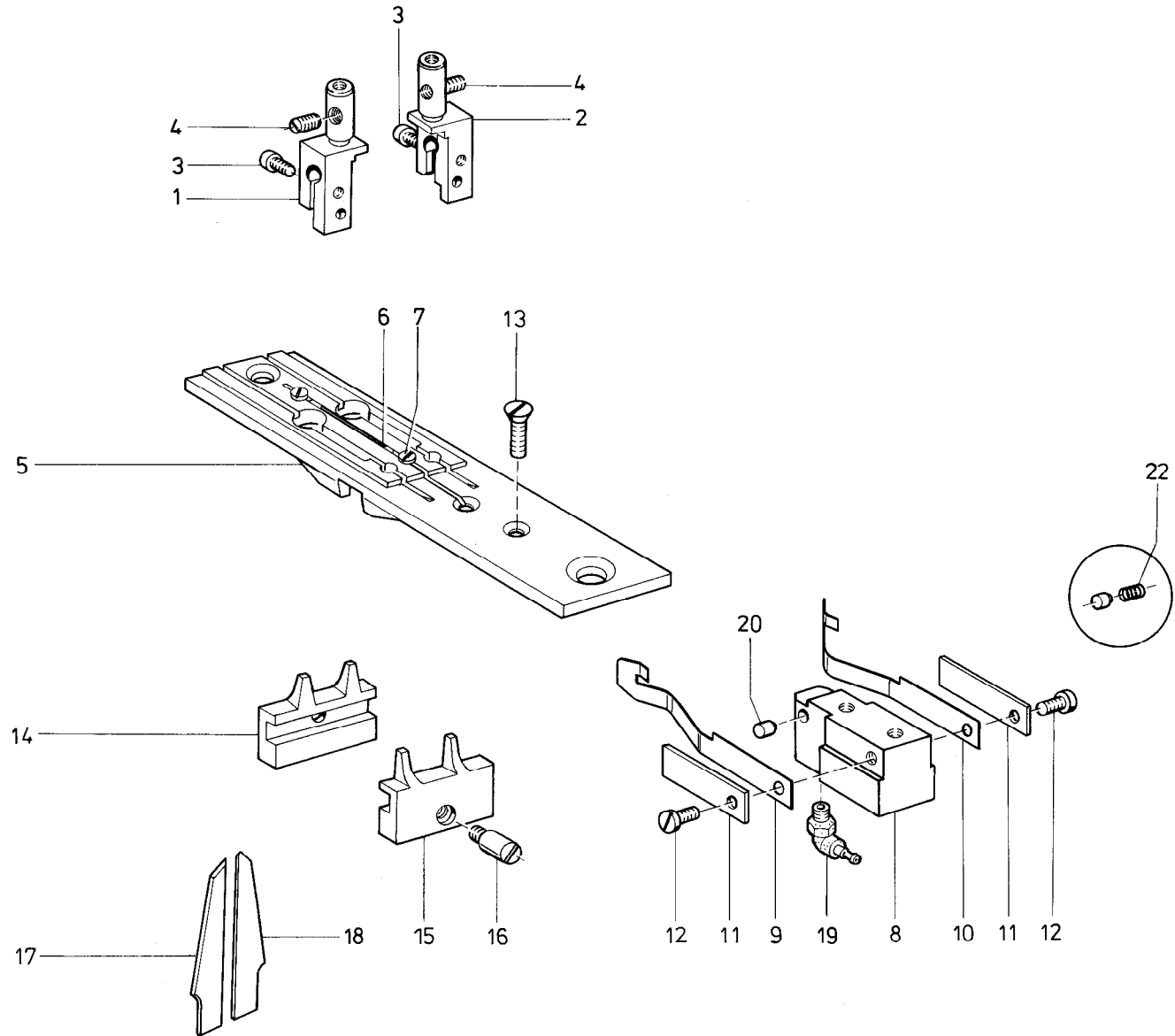
| Pos. Det. | Teile Nr. Part No. | Benennung | Denomination |
|-----------|--------------------|-----------|--------------|
|           |                    |           |              |





Einzelteile für weitere  
N-Einrichtungen  
siehe Anhang!

Parts for further  
N-Sewing Equipments  
see appendix!





## Näheinrichtungen

Kl. 745

### Zur Beachtung!

In nachfolgender Näheinrichtungstabelle sind alle Näheinrichtungen der Kl. 745 aufgeführt, die z. Z. der Drucklegung festgelegt sind. Um die Übersicht und die Bestellung von Näheinrichtungen zu erleichtern, sind sogenannte "E-Nrn." (Einrichtungskomplettnummern) geschaffen worden. In Einrichtungsübersichtsblättern sind die "E-Nrn." geordnet nach Nahtabständen in der ersten Spalte aufgeführt. Weitere nähtechnische Angaben, wie das für die Paspelbreite entscheidende Faltstempelmaß, max. zulässige Paspelstreifenbreite, max. Nählänge und engste Stelle für den Stoffdurchgang folgen in den nächsten Spalten. Eine E-Nr. besteht aus Einrichtungsgruppen, die mit Kurzzeichen versehen sind, z. B. E3.

K13 = linke und rechte Klammer  
N1 = Näheinrichtung (Stichplatte, Nadelhalter, Messer usw.)  
S26 = Greif-Faltstempel u. Faltstempel  
A3 = Auflage für Paspel

Aus welchen Teilen eine Einrichtungsgruppe zusammengestellt ist, wird unter Angabe der Teile-Nummern auf gesondertem Blatt aufgeführt. Aus Faltstempel-Symbolen in der letzten Spalte ist ersichtlich, ob Tascheneingriffe beidseitig, einseitig links oder einseitig rechts paspeliert werden. Die darunter angegebenen NB-Nrn. zeigen im Nahtschaubild-Katalog die verschiedenen Verarbeitungsarten mit oder ohne Platte, Taschenbeutel, Verstärkungsstreifen, Knopfschlaufe usw. Sollen verschieden paspelierte Tascheneingriffe genäht werden, so können zur "E-Nr." weitere Faltstempel ("S-Nrn.") anderer Einrichtungen unter Berücksichtigung von Nahtabstand und max. Nählänge bestellt werden, z. B. zu E3 für beidseitig paspelierte Tascheneingriffe zusätzlich s29 für einseitig links paspelierte Tascheneingriffe.

Je nach NB ist die Breite des Greif-faltstempels und des Faltstempels so bemessen, daß ein gut geschlossener Tascheneingriff genäht wird. Um dieses auch bei dünnerem Nähgut oder beim Weglassen einer Patte zu erreichen, sind Stempel mit größerer Breite festgelegt worden, z. B. s16 bei E3

## Sewing equipment

Cl. 745

### Note!

The following table includes all sewing equipment that is now available for Cl. 745.

For better survey and easier ordering of the sewing equipment we have created so-called "E-numbers" (complete equipment numbers).

In the equipment survey sheets the "E-numbers" are listed according to the seam margins in the first column. Further technical data, like the folder size, that is decisive for the piping width, the maximum admissible piping strip width, the maximum seam length and the narrowest point for the fabric passage are stated in other columns.

An "E-number" consists of equipment groups having a short reference number, e.g. E3:

K13 = clamp, left and right  
N1 = sewing equipment (throat plate, needle clamp, knife etc.)  
S26 = catch/folder and folder  
A3 = piping rest

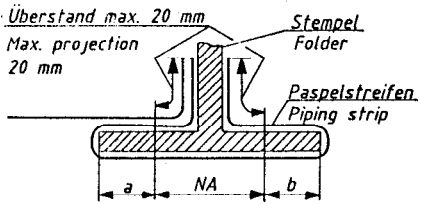
The components of an equipment group and the respective parts numbers are indicated on a separate sheet. From the folder symbols in the last column it can be seen whether a pocket opening is piped on either side or only the left or on the right.

The lower NB-No. shows in the seam sketch catalogue the different versions, with or without flap, pocket bag, backing strap, button loop, etc.

For sewing different piped pockets it is possible to order for an "E-Nr." further folders ("S-No.") of other equipment, taking in consideration the seam margin and the maximum seam length, for instance E3 for double piped pockets can be completed by s29 for unilateral 1/h piping

Depending on the NB the width of the catch and of the folder is such that a well closed pocket opening can be sewn. For ensuring this also with thin material or when omitting a flap, there are wider equipments, e.g. S16 for E3.



| Unterklasse<br>Sub-class    | Einrichtung<br>Equipment | Nahabstand in mm<br>Seam distance, mm | 1) Faltsattelmaß<br>Folder size |     | max. Paspelstreifenbreite in mm<br>Max piping strip width, mm | Nähbereich in mm<br>Sewing area in mm | 2) Stoffdurchgang<br>Cloth passage           | Einrichtung besteht aus<br>Equipment consisting of |                                 |                      |                               | Pneumatikteile<br>Pneumatic parts  | Beschreibung<br>Description |
|-----------------------------|--------------------------|---------------------------------------|---------------------------------|-----|---|---------------------------------------|--|--|---------------------------------|----------------------|-------------------------------|--|-----------------------------|
|                             |                          |                                       | a                               | b   |   |                                       |  | Klammern<br>Clamps                                 | Nährichtung<br>Sewing equipment | Faltstempel<br>Stamp | Auflagen<br>Preparation table |  |                             |
| 745-4-21<br>22<br>23<br>24  | E3                       | 10                                    | 3,5                             | 3,5 | 70  | 40-180                                | rechts<br>right<br>2                         | <del>X3</del><br>K13                               | N1                              | S3                   | A1                            |  <p>Tascheneingriffe beidseitig paspeliert nach NB 333; 429; 435; 438; 440; 442; 444</p> <p>Pocket openings, piped at either side according to NB 333; 429; 435; 438; 440; 442; 444</p> <p>Zu verwenden bei Paspelaufnahme rechts (Sacko-Fertigung)<br/>For use with picking up the piping on the right (for jackets)</p> <p>Bei Ausstattung mit Zuführung für Verstärkungsstreifen auch für NB 436; 437; 439; 441 for backing straps also for NB 436; 437; 439; 441</p> <p>Wie vor, jedoch mit Einrichtung zum Aufschneiden des Paspelstreifens<br/>As before, but with equipment for cutting up the piping</p> |                             |
| 745-5-21<br>22<br>23<br>24  |                          |                                       | 4                               | 4   | 72  | "                                     | links<br>left<br>3,5                         |  |                                 | S26                  | A3                            |  |                             |
|                             |                          |                                       | 4,5                             | 4,5 | 74  | "                                     |  |  |                                 | S16 <sup>3)</sup>    |                               |  |                             |
| 745-7-21<br>22<br>23<br>24  | E103                     | "                                     | 4                               | 4   | 72  | 75-180                                | rechts<br>right<br>2<br>links<br>left<br>3,5 | <del>X3</del><br>K13                               | N5                              | S26                  | A3                            |  |                             |
| 745-15-21<br>22<br>23<br>24 | E203                     | "                                     | "                               | "   | "   | 40-180                                | "  | "  | N9                              | S40                  | "                             |  |                             |
| 745-5-21<br>22<br>23<br>24  | E403<br>-1               | "                                     | "                               | "   | "   | 85-180                                | "  | "  | N1                              | S66                  | A5                            |  | P1                          |
| 745-5-21<br>22<br>23<br>24  | E403<br>-2               | "                                     | "                               | "   | "   | 85-155                                | "  | "  | N1                              | S67                  | "                             |  | "                           |
| 745-7-21<br>22<br>23<br>24  | E503<br>-1               | "                                     | "                               | "   | "   | 85-180                                | "  | "  | N5                              | S66                  | "                             |  | "                           |
| 745-7-21<br>22<br>23<br>24  | E503<br>-2               | "                                     | "                               | "   | "   | 85-155                                | "  | "  | N5                              | S67                  | "                             |  | "                           |
| 745-15-21<br>22<br>23<br>24 | E603<br>-1               | "                                     | "                               | "   | "   | 85-180                                | "  | "  | N9                              | S68                  | "                             |  | "                           |
| 745-15-21<br>22<br>23<br>24 | E603<br>-2               | "                                     | "                               | "   | "   | 85-155                                | "  | "  | N9                              | S69                  | "                             | "  |                             |

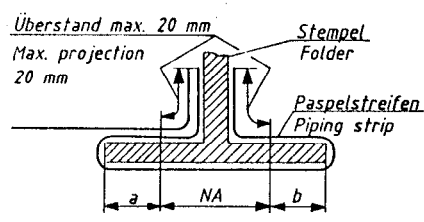
1) Die Paspelbreite ergibt sich aus a bzw. b + Paspelstreifenstärke.

The piping width results from a and b + piping strip thickness.

2) Stoffdurchgang = Engste Stelle am Faltsattel zur Führung des Nähgutes. Depending on the NB the width of the catch and of the folder is such that a well closed pocket opening can be sewn. For ensuring this also with thin material or when omitting a flap, there are wider equipments, e.g. S16 for E3.

3) Je nach NB ist die Breite des Greiffaltstempels u. des Faltsampels so bemessen, daß ein gut geschlossener Tascheneingriff genäht wird. Um dieses auch bei dünnerem Nähgut oder beim Weglassen einer Patte zu erreichen, sind Stempel mit größerer Breite festgelegt worden, z.B. S16 bei E3.



| Unterklasse<br>Sub-class    | Einrichtung<br>Equipment | Nahtabstand in mm<br>Seam distance, mm<br>NA | 1)<br>Faltstempelmaß<br>Folder size |     | max. Paspelstreifenbreite in mm<br>Max piping strip width, mm | Nähbereich in mm<br>Sewing area in mm | 2)<br>Stoffdurchgang<br>Cloth passage             |                                 | Einrichtung besteht aus<br>Equipment consisting of |                               |          | Pneumatikteile<br>Pneumatic parts | Beschreibung<br>Description  |
|-----------------------------|--------------------------|--|-------------------------------------|-----|---|---------------------------------------|---|---------------------------------|--|-------------------------------|----------|-----------------------------------|--|
|                             |                          |  | a                                   | b   |   |                                       | Klammern<br>Clamps                                | Nährichtung<br>Sewing equipment | Faltstempel<br>Stamp                               | Auflagen<br>Preparation table |          |                                   |  |
| 745-4-21<br>22<br>23<br>24  | E4                       | 10   | 3,5                                 | 3,5 | 70  | 40-100                                | rechts<br>right<br>3,5<br>-<br>links<br>left<br>2 | K12                             | N1   | S4<br>S27                     | A1<br>A3 |                                   |  <p>Tascheneingriffe beidseitig paspeliert nach NB 333; 430; 440; 444; 445<br/>pocket openings, piped at either side according to NB 333; 430; 440; 444; 445</p> <p>zu verwenden bei<br/>Paspelaufnahme links<br/>(Hosen-Fertigung u. Futterinnentaschen)<br/>For use with<br/>picking up the piping on the left (for trousers and lining inside jackets)</p> |
| 745-5-21<br>22<br>23<br>24  |                          |  | 4,5                                 | 4,5 | 74  | "                                     |   |                                 |  | S17 <sup>3)</sup>             |          |                                   |  |
| 745-7-21<br>22<br>23<br>24  | E104                     | "  | 4                                   | 4   | 72  | 75-100                                | rechts<br>right<br>3,5<br>-<br>links<br>left<br>2 | K12                             | N5   | S27                           | A3       |                                   |  |
| 745-15-21<br>22<br>23<br>24 | E204                     | "  | "                                   | "   | "   | "                                     | "   | "                               | N9   | S41                           | "        |                                   |  |
| 745-5-21<br>22<br>23<br>24  | E404<br>-1               | "  | "                                   | "   | "   | 85-100                                | "   | "                               | N1   | S70                           | A5       | P1                                | <p>Wie vor, jedoch mit Einrichtung zum Aufschneiden des Paspelstreifens<br/>As before, but with equipment for cutting up the piping</p>  |
| 745-5-21<br>22<br>23<br>24  | E404<br>-2               | "  | "                                   | "   | "   | 85-155                                | "   | "                               | N1   | S71                           | "        | "                                 |  |
| 745-7-21<br>22<br>23<br>24  | E504<br>-1               | "  | "                                   | "   | "   | 85-100                                | "   | "                               | N5   | S70                           | "        | "                                 |  |
| 745-7-21<br>22<br>23<br>24  | E504<br>-2               | "  | "                                   | "   | "   | 85-155                                | "   | "                               | N5   | S71                           | "        | "                                 |  |
| 745-15-21<br>22<br>23<br>24 | E604<br>-1               | "  | "                                   | "   | "   | 85-100                                | "   | "                               | N9   | S72                           | "        | "                                 |  |
| 745-15-21<br>22<br>23<br>24 | E604<br>-2               | "  | "                                   | "   | "   | 85-155                                | "   | "                               | N9   | S73                           | "        | "                                 |  |

1) Die Paspelbreite ergibt sich aus a bzw. b + Paspelstreifenstärke.

The piping width results from a and b + piping strip thickness.

2) Stoffdurchgang = Engste Stelle am Faltstempel zur Führung des Nähgutes.

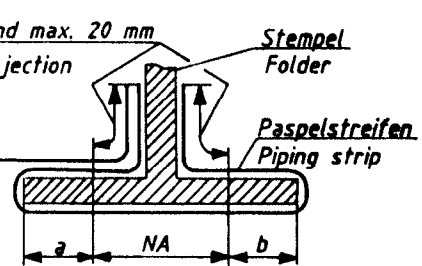

Cloth passage = Narrowest point at the folder for guiding the work.

3) Je nach NB ist die Breite des Greiffaltstempels u. des Faltstempels so bemessen, daß ein gut geschlossener Tascheneingriff genäht wird. Um dieses auch bei dünnerem Nähgut oder beim Weglassen einer Patte zu erreichen, sind Stempel mit größerer Breite festgelegt worden, z.B. S16 bei E3.

Depending on the NB the width of the catch and of the folder is such that a well closed pocket opening can be sewn. For ensuring this also with thin material or when omitting a flap, there are wider equipments, e.g. S16 for E3.





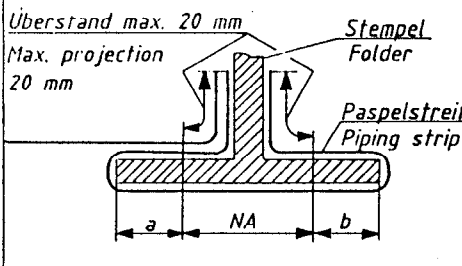
| Unterklasse<br>Sub-class    | Einrichtung<br>Equipment | Nahtabstand in mm<br>Seam distance, mm | Faltstempelmaß<br>Folder size |     | max. Paspelstreifenbreite in mm<br>Max piping strip width, mm | max. Nählänge in mm<br>Max seam length, mm | Stoffdurchgang<br>Cloth passage                | Einrichtung besteht aus<br>Equipment consisting of |                    |                                 |                      | Aufgaben<br>Preparation table  | Beschreibung<br>Description   |
|-----------------------------|--------------------------|--|-------------------------------|-----|---|--|--|--|--------------------|---------------------------------|----------------------|--|---|
|                             |                          |  | NA                            | a   |   |  |  | b  | Klammern<br>Clamps | Nährichtung<br>Sewing equipment | Faltstempel<br>Stamp |  |   |
| 745-4-21<br>22<br>23<br>24  | E5                       | 10                                     | 1,5                           | 7,5 | 45  | 180  | rechts<br>right<br>2                           | <del>K3</del><br>K13                               | N1                 | <del>S6</del>                   | A2                   |  <p>Überstand max. 20 mm<br/>Max. projection<br/>20 mm</p> <p>Stempel<br/>Folder</p> <p>Paspelstreifen<br/>Piping strip</p> <p>a NA b</p>   |   |
| 745-5-21<br>22<br>23<br>24  |                          |  | 1,5                           | 8,5 | 47  |  | links<br>left<br>3,5                           |  |                    | S28                             |                      |  | <p>Tascheneingriffe rechts paspeliert<br/>nach NB 431; 455<br/>Pocket openings, piped on the r/h side<br/>according to NB 431; 455</p>  |
|                             |                          |  | 1,5                           | 9,5 | 49  |  |  |  |                    | S18 <sup>3)</sup>               |                      | <p>Zu verwenden bei Paspelaufnahme rechts<br/>(Sakko-Fertigung)<br/>For use with<br/>picking up the piping on<br/>the right (for jackets)</p>  |   |
| 745-7-21<br>22<br>23<br>24  | E105                     | "                                      | 1,5                           | 8,5 | 47  | 180  | rechts<br>right<br>2 -<br>links<br>left<br>3,5 | <del>K3</del><br>K13                               | N5                 | S28                             | A2                   |  |   |
| 745-15-21<br>22<br>23<br>24 | E205                     | "                                      | "                             | "   | "   | "  | "  | "  | N9                 | S42                             | "                    |  |   |
| 745-4-21<br>22<br>23<br>24  | E6                       | 10                                     | 7,5                           | 1,5 | 45  | 180  | rechts<br>right<br>3,5                         | <del>K4</del><br>K14                               | N1                 | <del>S6</del>                   | A2                   |  <p>Tascheneingriffe links paspeliert<br/>nach NB 335; 447; 449; 451; 452; 453; 454<br/>Pocket openings, piped on the l/h side<br/>according to NB 335; 447; 449; 451; 452;<br/>453; 454.</p> |   |
| 745-5-21<br>22<br>23<br>24  |                          |  | 8,5                           | 1,5 | 47  |  | links<br>left<br>2                             |  |                    | S29                             |                      |  | <p>Zu verwenden bei Paspelaufnahme links<br/>(Hosen- und Futterinnentaschen)<br/>For use with<br/>picking up the piping, on<br/>the left (for trousers and lining inside<br/>pockets)</p> |
| 745-7-21<br>22<br>23<br>24  | E106                     | "                                      | 8,5                           | 1,5 | 47  | 180  | rechts<br>right<br>3,5<br>links<br>left<br>2   | <del>K4</del><br>K14                               | N5                 | S29                             | A2                   | <p>Bei Ausstattung mit Zuführung für<br/>Verstärkungsstreifen auch für NB 448;450<br/>When fitted with feeding equipment<br/>for backing straps also for<br/>NB 448; 450.</p>  |   |
| 745-15-21<br>22<br>23<br>24 | E206                     | "                                      | "                             | "   | "   | "  | "  | "  | N9                 | S43                             | "                    |  |   |

1) Die Paspelbreite ergibt sich aus a bzw. b + Paspelstreifenstärke.  
The piping width results from a and b + piping strip thickness.

3) Je nach NB ist die Breite des Greiffaltstempels u. des Faltstempels so bemessen, daß ein gut geschlossener Tascheneingriff genäht wird. Um dieses auch bei dünnerem Nähgut oder beim Weglassen einer Patte zu erreichen, sind Stempel mit größerer Breite festgelegt worden, z.B. S16 bei E3.

2) Stoffdurchgang = Engste Stelle am Faltstempel zur Führung des Nähgutes. Depending on the NB the width of the catch and of the folder is such that a well closed pocket opening can be sewn. For ensuring this also with thin material or when omitting a flap, there are wider equipments, e.g. S16 for E3.  
Cloth passage = Narrowest point at the folder for guiding the work.



| Unterklasse<br>Sub-class    | Einrichtung<br>Equipment | Nahtabstand in mm<br>Seam distance, mm | 1)<br>Faltspielmaß<br>Folder size |     | max Paspelstreifenbreite in mm<br>Max piping strip width, mm | Nähbereich in mm<br>Sewing area in mm | 2)<br>Stoffdurchgang<br>Cloth passage        | Einrichtung besteht aus<br>Equipment consisting of |                                 |                      |                               | Pneumatikteile<br>Pneumatic parts  | Beschreibung<br>Description |
|-----------------------------|--------------------------|--|-----------------------------------|-----|--|---------------------------------------|--|--|---------------------------------|----------------------|-------------------------------|--|-----------------------------|
|                             |                          |  | a                                 | b   |  |                                       |  | Klammern<br>Clamps                                 | Nährichtung<br>Sewing equipment | Faltstempel<br>Stamp | Auflagen<br>Preparation table |  |                             |
| 745-4-21<br>22<br>23<br>24  | E7                       | 12                                     | 4,5                               | 4,5 | 78   | 45-180                                | rechts<br>right<br>3                         | K13  | N2                              | S7                   | A1                            |  <p>Tascheneingriffe beidseitig paspeliert nach NB 333; 429; 435; 438; 440; 442; 444<br/>Pocket openings, piped at either side according to NB 333; 429; 435; 438; 440; 442; 444<br/>Zu verwenden bei Paspelaufnahme rechts (Sacko-Fertigung)<br/>For use with picking up the piping on the right (for jackets)<br/>Bei Ausstattung mit Zuführung für Verstärkungsstreifen auch für NB 436; 437; 439; 441 for backing straps also for NB 436; 437; 439; 441</p> |                             |
| 745-5-21<br>22<br>23<br>24  |                          |  | 5                                 | 5   | 78   |                                       | links<br>left<br>4,5                         |  |                                 | S30                  | A3                            |  |                             |
|                             |                          |  | 5,5                               | 5,5 | 80   | "                                     |  |  |                                 | S20 <sup>3)</sup>    |                               |  |                             |
| 745-7-21<br>22<br>23<br>24  | E107                     | "                                      | 5                                 | 5   | 78   | 80-180                                | rechts<br>right<br>3<br>links<br>left<br>4,5 | K13  | N6                              | S30                  | A3                            | <p>Wie vor, jedoch mit Einrichtung zum Aufschneiden des Paspelstreifens<br/>As before, but with equipment for cutting up the piping</p>  |                             |
| 745-15-21<br>22<br>23<br>24 | E207                     | "                                      | "                                 | "   | "  | 45-180                                | "  | "  | N10                             | S44                  | "                             |  |                             |
| 745-5-21<br>22<br>23<br>24  | E407<br>-1               | "                                      | "                                 | "   | "  | 85-180                                | "  | "  | N2                              | S74                  | A5                            |  | P1                          |
| 745-5-21<br>22<br>23<br>24  | E407<br>-2               | "                                      | "                                 | "   | "  | 85-155                                | "  | "  | N2                              | S75                  | "                             | "  |                             |
| 745-7-21<br>22<br>23<br>24  | E507<br>-1               | "                                      | "                                 | "   | "  | 85-180                                | "  | "  | N6                              | S74                  | "                             | "  |                             |
| 745-7-21<br>22<br>23<br>24  | E507<br>-2               | "                                      | "                                 | "   | "  | 85-155                                | "  | "  | N6                              | S75                  | "                             | "  |                             |
| 745-15-21<br>22<br>23<br>24 | E607<br>-1               | "                                      | "                                 | "   | "  | 85-180                                | "  | "  | N10                             | S76                  | "                             | "  |                             |
| 745-15-21<br>22<br>23<br>24 | E607<br>-2               | "                                      | "                                 | "   | "  | 85-155                                | "  | "  | N10                             | S77                  | "                             | "  |                             |

1) Die Paspelbreite ergibt sich aus a bzw. b + Paspelstreifenstärke.

The piping width results from a and b + piping strip thickness.

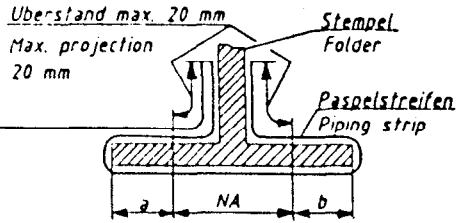
2) Stoffdurchgang = Engste Stelle am Faltspiel zur Führung des Nähgutes.

Cloth passage = Narrowest point at the folder for guiding the work.

3) Je nach NB ist die Breite des Greiffaltstempels u. des Faltspielstempels so bemessen, daß ein gut geschlossener Tascheneingriff genäht wird. Um dieses auch bei dünnerem Nähgut oder beim Weglassen einer Patte zu erreichen, sind Stempel mit größerer Breite festgelegt worden, z.B. S16 bei E3.

Depending on the NB the width of the catch and of the folder is such that a well closed pocket opening can be sewn. For ensuring this also with thin material or when omitting a flap, there are wider equipments, e.g. S16 for E3.



| Unterklasse<br>Sub-class    | Einrichtung<br>Equipment | Nahtabstand in mm<br>Seam distance, mm | 1)<br>Faltschneidmaß<br>Folder size |     | max. Paspelstreifenbreite in mm<br>Max piping strip width mm | Nähbereich in mm<br>Sewing area in mm | 2)<br>Stoffdurchgang<br>Cloth passage             | Einrichtung besteht aus<br>Equipment consisting of |                                 |                      |                               | Pneumatikteile<br>Pneumatic parts  | Beschreibung<br>Description   |
|-----------------------------|--------------------------|--|-------------------------------------|-----|--|---------------------------------------|---|--|---------------------------------|----------------------|-------------------------------|--|---|
|                             |                          |  | a                                   | b   |  |                                       |   | Klammern<br>Clamps                                 | Nährichtung<br>Sewing equipment | Faltstempel<br>Stamp | Auflagen<br>Preparation table |  |   |
| 745-4-21<br>22<br>23<br>24  | E8                       | 12                                     | 4,5                                 | 4,5 | 78   | 45-180                                | rechts<br>right<br>4,5<br>-<br>links<br>left<br>3 | K12  | N2                              | S8                   | A1                            |  <p>Tascheneingriffe beidseitig paspeliert nach NB 333; 430; 440; 444; 445<br/>pocket openings, piped at either side according to NB 333; 430; 440; 444; 445</p> <p>zu verwenden bei<br/>Paspelaufnahme links<br/>(Hosen-Fertigung u. Futterinnen-taschen)<br/>For use with<br/>picking up the piping on the left (for trousers and lining inside jackets)</p> |   |
| 745-5-21<br>22<br>23<br>24  |                          |  | 5                                   | 5   | 78   |                                       |   |  |                                 | S31                  | A3                            |  |   |
|                             |                          |  | 5,5                                 | 5,5 | 80   |                                       |   |  |                                 | S21 <sup>3)</sup>    |                               |  |   |
| 745-7-21<br>22<br>23<br>24  | E108                     | "                                      | 5                                   | 5   | 78   | 80-180                                | rechts<br>right<br>4,5<br>-<br>links<br>left<br>3 | K12  | N6                              | S31                  | A3                            |  |   |
| 745-15-21<br>22<br>23<br>24 | E208                     | "                                      | "                                   | "   | "  | 45-180                                | "   | "  | N10                             | S45                  | "                             |  |   |
| 745-5-21<br>22<br>23<br>24  | E408<br>-1               | "                                      | "                                   | "   | "  | 85-180                                | "   | "  | N2                              | S78                  | A5                            | P1   | <p>Wie vor, jedoch mit Einrichtung zum Aufschneiden des Paspelstreifens<br/>As before, but with equipment for cutting up the piping</p> |
| 745-5-21<br>22<br>23<br>24  | E408<br>-2               | "                                      | "                                   | "   | "  | 85-155                                | "   | "  | "                               | S79                  | "                             | "  |   |
| 745-7-21<br>22<br>23<br>24  | E508<br>-1               | "                                      | "                                   | "   | "  | 85-180                                | "   | "  | N6                              | S78                  | "                             | "  |   |
| 745-7-21<br>22<br>23<br>24  | E508<br>-2               | "                                      | "                                   | "   | "  | 85-155                                | "   | "  | "                               | S79                  | "                             | "  |   |
| 745-15-21<br>22<br>23<br>24 | E608<br>-1               | "                                      | "                                   | "   | "  | 85-180                                | "   | "  | N10                             | S80                  | "                             | "  |   |
| 745-15-21<br>22<br>23<br>24 | E608<br>-2               | "                                      | "                                   | "   | "  | 85-155                                | "   | "  | "                               | S81                  | "                             | "  |   |

1) Die Paspelbreite ergibt sich aus a bzw. b + Paspelstreifenstärke.

The piping width results from a and b + piping strip thickness.



2) Stoffdurchgang = Engste Stelle am Fallstempel zur Führung des Nähgutes.

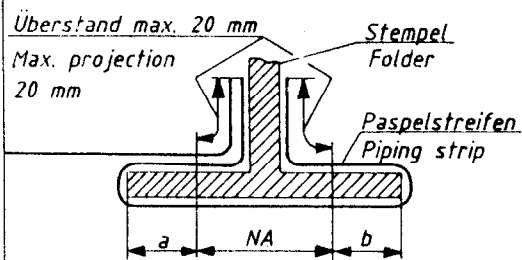
Cloth passage = Narrowest point at the folder for guiding the work.

3) Je nach NB ist die Breite des Greiffaltstempels u. des Fallstempels so bemessen, daß ein gut geschlossener Tascheneingriff genäht wird. Um dieses auch bei dünnerem Nähgut oder beim Weglassen einer Patte zu erreichen, sind Stempel mit größerer Breite festgelegt worden, z.B. S16 bei E3.

Depending on the NB the width of the catch and of the folder is such that a well closed pocket opening can be sewn. For ensuring this also with thin material or when omitting a flap, there are wider equipments, e.g. S16 for E3.



| Unterklasse<br>Sub-class    | Einrichtung<br>Equipment | Nahabstand in mm<br>Seam distance, mm | 1)<br>Faltstempelmaß<br>Folder size |      | max. Paspelstreifenbreite in mm<br>Max piping strip width, mm | max. Nählänge in mm<br>Max seam length, mm | 2)<br>Stoffdurchgang<br>Cloth passage             |                                 | Einrichtung besteht aus<br>Equipment consisting of | Auflagen<br>Preparation table | Beschreibung<br>Description |  |
|-----------------------------|--------------------------|---------------------------------------|-------------------------------------|------|---|--|---|---------------------------------|--|-------------------------------|-----------------------------|--|
|                             |                          |                                       | a                                   | b    |   |  | Klammern<br>Clamps                                | Nährichtung<br>Sewing equipment |  |                               |                             | Faltstempel<br>Stamp   |
| 745-4-21<br>22<br>23<br>24  | E9                       | 12                                    | 2,5                                 | 2,5  | 50  | 180  | rechts<br>right<br>3                              | K3<br>K 13                      | N2   | S32                           | A2                          |  <p>Tascheneingriffe rechts paspeliert<br/>nach NB 431; 455<br/>Pocket openings, piped on the r/h side<br/>according to NB 431; 455</p> <p>Zu verwenden bei Paspelaufnahme rechts<br/>(Sakko-Fertigung)<br/>For use with<br/>picking up the piping on<br/>the right (for jackets)</p>   |
| 745-5-21<br>22<br>23<br>24  |                          |                                       | 2,5                                 | 10,5 | 52  |  | links<br>left<br>4,5                              |                                 |  | S32                           |                             |  |
|                             |                          |                                       | 2,5                                 | 11   | 53  |  |   |                                 |  | S22 <sup>3)</sup>             |                             |  |
| 745-7-21<br>22<br>23<br>24  | E109                     | "                                     | 2,5                                 | 10,5 | 52  | 180  | rechts<br>right<br>3<br>-<br>links<br>left<br>4,5 | K3<br>K 13                      | N6   | S32                           | A2                          |  |
| 745-15-21<br>22<br>23<br>24 | E209                     | "                                     | "                                   | "    | "   | "  | "   | "                               | N10  | S46                           | "                           |  |
| 745-4-21<br>22<br>23<br>24  | E10                      | 12                                    | 9,5                                 | 2,5  | 50  | 180  | rechts<br>right<br>4,5                            | K4<br>K 14                      | N2   | S40                           | A2                          |  <p>Tascheneingriffe links paspeliert<br/>nach NB 335; 447; 449; 451; 452; 453; 454<br/>Pocket openings, piped on the l/h side<br/>according to NB 335; 447; 449; 451; 452;<br/>453; 454.</p> <p>Zu verwenden bei Paspelaufnahme links<br/>(Hosen- und Futterinnentaschen)<br/>For use with<br/>picking up the piping on<br/>the left (for trousers and lining inside<br/>pockets)</p> <p>Bei Ausstattung mit Zuführung für<br/>Verstärkungsstreifen auch für NB 448; 450<br/>When fitted with feeding equipment<br/>for backing straps also for<br/>NB 448; 450.</p> |
| 745-5-21<br>22<br>23<br>24  |                          |                                       | 10,5                                | 2,5  | 52  |  | links<br>left<br>3                                |                                 |  | S33                           |                             |  |
|                             |                          |                                       | 11                                  | 2,5  | 53  |  |   |                                 |  | S23 <sup>3)</sup>             |                             |  |
| 745-7-21<br>22<br>23<br>24  | E110                     | "                                     | 10,5                                | 2,5  | 52  | 180  | rechts<br>right<br>4,5<br>-<br>links<br>left<br>3 | K4<br>K 14                      | N6   | S33                           | A2                          |  |
| 745-15-21<br>22<br>23<br>24 | E210                     | "                                     | "                                   | "    | "   | "  | "   | "                               | N10  | S47                           | "                           |  |



1) Die Paspelbreite ergibt sich aus a bzw. b + Paspelstreifenstärke.

The piping width results from a and b + piping strip thickness.

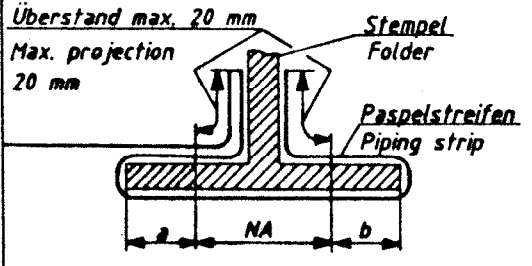

2) Stoffdurchgang = Engste Stelle am Faltstempel zur Führung des Nähgutes.

Cloth passage = Narrowest point at the folder for guiding the work.

3) Je nach NB ist die Breite des Greiffaltstempels u. des Faltstempels so bemessen, daß ein gut geschlossener Tascheneingriff genäht wird. Um dieses auch bei dünnerem Nähgut oder beim Weglassen einer Patte zu erreichen, sind Stempel mit größerer Breite festgelegt worden, z.B. S16 bei E3.

Depending on the NB the width of the catch and of the folder is such that a well closed pocket opening can be sewn. For ensuring this also with thin material or when omitting a flap, there are wider equipments, e.g. S16 for E3.



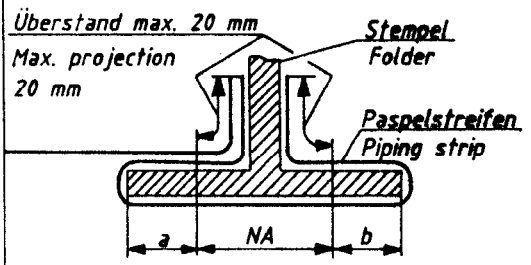

| Unterklasse<br>Sub-class    | Einrichtung<br>Equipment | Nahabstand in mm<br>Seam distance, mm | 1)<br>Faltstempelmaß<br>Folder size |     | max. Paspelstreifenbreite in mm<br>Max piping strip width, mm | max. Nählänge in mm<br>Max seam length, mm | 2)<br>Stoffdurchgang<br>Cloth passage | Einrichtung besteht aus<br>Equipment consisting of |                                 |                      | Auflagen<br>Preparation table | Beschreibung<br>Description   |
|-----------------------------|--------------------------|---------------------------------------|-------------------------------------|-----|---|--|---------------------------------------|--|---------------------------------|----------------------|-------------------------------|---|
|                             |                          |                                       | a                                   | b   |   |  |                                       | Klammern<br>Clamps                                 | Nähmaschine<br>Sewing equipment | Faltstempel<br>Stamp |                               |   |
| 745-4-21<br>22<br>23<br>24  | E12                      | 14                                    | 5,5                                 | 5,5 | 82  | 100  | -                                     | K3<br>K13  | N3                              | S3                   | A1                            |   |
| 745-5-21<br>22<br>23<br>24  |                          |                                       |                                     |     |   |  | rechts<br>right<br>4                  |  |                                 |                      | A3                            |   |
| 745-7-21<br>22<br>23<br>24  | E12                      | "                                     | "                                   | "   | "   | "  | "                                     | "  | N7                              | "                    | "                             | <p>Zu verwenden bei Paspelaufnahme rechts (Sakkofertigung)<br/>For use with picking up the piping on the right (for jackets)</p>  |
| 745-15-21<br>22<br>23<br>24 | E22                      | "                                     | "                                   | "   | "   | "  | "                                     | "  | N11                             | S48                  | "                             | <p>Bei Ausstattung mit Zuführung für Verstärkungsstreifen auch für NB 436; 437; 439; 441.<br/>When fitted with feeding equipment for backing straps also for NB 436; 437; 439; 441.</p>   |
| 745-5-10<br>11<br>12<br>13  | E3                       | 10                                    | 9,5                                 | 1,5 | 45  | 100  | -                                     | K4<br>K14  | N1                              | S2                   | -                             |  <p>Tascheneingriffe links paspeliert nach NB 335; 447; 449; 451; 453; 454.<br/>Pocket openings, piped on the l/h side according to NB 335; 447; 449; 451; 453; 454.</p> |
| 745-15-11<br>12<br>13<br>14 | E28                      | "                                     | "                                   | "   | "   | "  | "                                     | "  | N9                              | "                    | "                             | <p>Bei Ausstattung mit Zuführung auch für NB 448; 450.<br/>When fitted with feeding equipment also for NB 448; 450.</p>   |

1) Die Paspelbreite ergibt sich aus a bzw. b + Paspelstreifenstärke.  
The piping width results from a and b + piping strip thickness.

3) Je nach NB ist die Breite des Greiffaltstempels u. des Faltstempels so bemessen, daß ein gut geschlossener Tascheneingriff genäht wird. Um dieses auch bei dünnerem Nähgut oder beim Weglassen einer Patte zu erreichen, sind Stempel mit größerer Breite festgelegt worden, z.B. SM bei E3.

2) Stoffdurchgang = Engste Stelle am Faltstempel zur Führung des Nähgutes.  
Cloth passage = Narrowest point at the folder for guiding the work. Depending on the NB the width of the catch and of the folder is such that a well closed pocket opening can be sewn. For ensuring this also with thin material or when omitting a flap, there are wider equipments, e.g. SM for E3.



| Unterklasse<br>Sub-class    | Einrichtung<br>Equipment | Nahtabstand in mm<br>Seam distance, mm<br>NA | 1)<br>Faltstempelmaß<br>Folder size |     | max. Paspelstreifenbreite in mm<br>Max piping strip width, mm | max. Nählänge in mm<br>Max seam length, mm | 2)<br>Stoffdurchgang<br>Cloth passage | Einrichtung besteht aus<br>Equipment consisting of |                                    |                      |          | Aufgaben<br>Preparation table  | Beschreibung<br>Description   |
|-----------------------------|--------------------------|--|-------------------------------------|-----|---|--|---------------------------------------|--|------------------------------------|----------------------|----------|--|---|
|                             |                          |  | a                                   | b   |   |  |                                       | Klammern<br>Clamps                                 | Näheinrichtung<br>Sewing equipment | Faltstempel<br>Stamp |          |  |   |
| 745-4-21<br>22<br>23<br>24  |                          |  |                                     |     |   |  | rechts<br>right<br>5                  |  |                                    |                      |          |  |     |
| 745-5-21<br>22<br>23<br>24  | E14                      | 16   | 6,5                                 | 6,5 | 88  | 180  | -                                     | K9<br>K13  | N4                                 | S24                  | AT<br>A3 | <p>Tascheneingriffe beidseitig paspeliert nach NB 333; 429; 435; 438; 440; 442; 444.<br/>Pocket openings, piped at either side according to NB 333; 429; 435; 438; 440; 442; 444;<br/>Zu verwenden bei Paspelaufnahme rechts (Sakkofertigung)<br/>For use with picking up the piping on the right (for jackets)<br/>Bei Ausstattung mit Zuführung für Verstärkungsstreifen auch für NB 436; 437; 439; 441.<br/>When fitted with feeding equipment for backing straps also for NB 436; 437; 439; 441.</p> |   |
| 745-7-21<br>22<br>23<br>24  | E114                     | "  | "                                   | "   | "   | "  | "                                     | "  | N8                                 | "                    | "        |  |   |
| 745-15-21<br>22<br>23<br>24 | E214                     | "  | "                                   | "   | "   | "  | "                                     | "  | N12                                | S49                  | "        |  |   |
| 745-4-21<br>22<br>23<br>24  |                          |  |                                     |     |   |  | rechts<br>right<br>3,5                |  |                                    |                      |          |  |  |
| 745-5-21<br>22<br>23<br>24  | E15                      | 10   | 6,5                                 | 1,5 | 70  | 180  | -                                     | K2<br>K12  | N1                                 | S25                  | AT<br>A3 | <p>Tascheneingriffe einseitig links oder doppelseitig asymmetrisch paspeliert nach NB 333; 335; 429; 430; 435; 438; 440; 442; 443; 444; 451; 452; 453; 454.<br/>Pocket openings, piped on the left or on either side asymmetrically according to NB 333; 335; 429; 430; 435; 438; 440; 442; 443; 444; 451; 452; 453; 454.</p>  |   |
| 745-15-21<br>22<br>23<br>24 | E215                     | "  | "                                   | "   | "   | "  | "                                     | "  | N9                                 | S55                  | "        |  |   |

1) Die Paspelbreite ergibt sich aus a bzw. b + Paspelstreifenstärke.

The piping width results from a and b + piping strip thickness.

2) Stoffdurchgang = Engste Stelle am Faltstempel zur Führung des Nähgutes.

Cloth passage = Narrowest point at the folder for guiding the work.

3) Je nach NB ist die Breite des Greiffaltstempels u. des Faltstempels so bemessen, daß ein gut geschlossener Tascheneingriff gewirkt wird. Um dieses auch bei dünnerem Nähgut oder beim Weglassen einer Patte zu erreichen, sind Stempel mit größerer Breite festgelegt worden, z.B. S16 bei E3. Depending on the NB the width of the catch and of the folder is such that a well closed pocket opening can be sewn. For ensuring this also with thin material or when omitting a flap, there are wider equipments, e.g. S16 for E3.



| Unterklasse<br>Sub-class                   | Einrichtung<br>Equipment | Nahtabstand in mm<br>Seam distance, mm<br>NA | 1)<br>Faltsiempelmaß<br>Folder size |     | max. Paspelstreifenbreite in mm<br>Max piping strip width, mm | max. Nählänge in mm<br>Max seam length, mm | 2)<br>Stoffdurchgang<br>Cloth passage |   | Einrichtung besteht aus<br>Equipment consisting of | Überstand max. 20 mm<br>Max. projection<br>20 mm |  | Beschreibung<br>Description   |
|--|--------------------------|--|-------------------------------------|-----|---|--|---------------------------------------|---|--|--|--|---|
|  |                          |  | a                                   | b   |   |  |                                       |   |  |  |  |   |
| 745-4 {<br>21<br>22<br>745-5 {<br>23<br>24 |                          |  |                                     |     |   |  |                                       |   |  |  |  |   |
| 745-7-21<br>22<br>23<br>24                 | E116                     | 12   | 4,5                                 | 4,5 |   | 125  |                                       |   |  |  |  | <p>Tascheneingriffe nach NB 346, speziell für Brustleisten in Sakkos.<br/>Pocket openings according to NB 346, specially for breast welts in jackets.</p>                               |
| 745-15-21<br>22<br>23<br>24                |                          |  |                                     |     |   |  |                                       |   |  |  |  |   |
| 745-4 {<br>21<br>22<br>745-5 {<br>23<br>24 | E17                      | 20   | 8,5                                 | 8,5 | 100   | 180  |                                       |   |  |  |  | <p>Tascheneingriffe beidseitig paspeliert nach NB 333; 429; 435; 438; 440; 442; 444.<br/>Pocket openings, piped at either side according to NB 333; 429; 435; 438; 440; 442; 444.</p>   |
| 745-7-21<br>22<br>23<br>24                 | E117                     | "  | "                                   | "   | "   | "  | "                                     | " |  |  |  | <p>Zu verwenden bei Paspelaufnahme rechts (Sakkofertigung)<br/>For use with picking up the piping on the right (for jackets)</p>  |
| 745-15-21<br>22<br>23<br>24                | E217                     | "  | "                                   | "   | "   | "  | "                                     | " |  |  |  | <p>Bei Ausstattung mit Zuführung für Verstärkungsstreifen auch für NB 436; 437; 439; 441.<br/>When fitted with feeding equipment for backing straps also for NB 436; 437; 439; 441.</p> |

1) Die Paspelbreite ergibt sich aus a bzw. b + Paspelstreifenstärke.  
The piping width results from a and b + piping strip thickness.

2) Stoffdurchgang = Engste Stelle am Faltsiempel zur Führung des Nähgutes.  
Cloth passage = Narrowest point at the folder for guiding the work.

3) Je nach NB ist die Breite des Greiffaltstempels u. des Faltsiempels so bemessen, daß ein gut geschlossener Tascheneingriff genäht wird. Um dieses auch bei dünnerem Nähgut oder beim Weglassen einer Patte zu erreichen, sind Stempel mit größerer Breite festgelegt worden, z.B. S16 bei E3.  
Depending on the NB the width of the catch and of the folder is such that a well closed pocket opening can be sewn. For ensuring this also with thin material or when omitting a flap, there are wider equipments, e.g. S16 for E3.



| Unterklasse<br>Sub-class       | Einrichtung<br>Equipment | Nahabstand in mm<br>Seam distance, mm | 1)<br>Faltstempelmaß<br>Folder size |     | max. Paspelstreifenbreite in mm<br>Max piping strip width, mm | max. Nählänge in mm<br>Max seam length, mm | 2)<br>Stoffdurchgang<br>Cloth passage | Einrichtung besteht aus<br>Equipment consisting of |                                    |                      |                               | Überstand max. 20 mm<br>Max. projection<br>20 mm   |  |
|--------------------------------|--------------------------|---------------------------------------|-------------------------------------|-----|---|--|---------------------------------------|--|------------------------------------|----------------------|-------------------------------|--|--|
|                                |                          |                                       | a                                   | b   |   |  |                                       | Klammern<br>Clamps                                 | Näheinrichtung<br>Sewing equipment | Faltstempel<br>Stamp | Auflagen<br>Preparation table |  |  |
| 745-4-21<br>-22<br>-23<br>-24  | E18                      | 10                                    | 8,5                                 | 1,5 | 47  | 180  | rechts<br>right<br>3,5                | K3   | N1                                 | S29                  | A2                            |  |  |
| 745-5-21<br>-22<br>-23<br>-24  |                          |                                       | 9,5                                 | 1,5 | 49  | "  | "                                     | links<br>left<br>2                                 |                                    |                      | <sup>3)</sup><br>S19          |  |  |
| 745-7-21<br>-22<br>-23<br>-24  | E118                     | "                                     | 8,5                                 | 1,5 | 47  | "  | "                                     | K3   | N5                                 | S29                  | A2                            | <p>Tascheneingriffe links paspeliert<br/>nach NB 335;447;449;451;452;453;454.<br/>Pocket openings, piped on the l/h side<br/>according to NB 335;447;449;451;452;453;<br/>454.</p> <p>Zu verwenden bei Paspelaufnahme links<br/>(Futterinnentaschen)<br/>For use with picking up the piping on<br/>the left.<br/>(lining inside pockets)</p> |  |
| 745-15-21<br>-22<br>-23<br>-24 |                          |                                       | 9,5                                 | 1,5 | 49  | "  | "                                     | "  |                                    |                      | <sup>3)</sup><br>S19          |  |  |
| 745-15-21<br>-22<br>-23<br>-24 | E218                     | "                                     | 8,5                                 | 1,5 | 47  | "  | "                                     | K3   | N9                                 | S43                  | A2                            | <p>Bei Ausstattung mit Zuführung für<br/>Verstärkungsstreifen auch für NB 448;450<br/>When fitted with feeding equipment for<br/>backing straps also for NB 448;450.</p>   |  |
| 745-4-21<br>-22<br>-23<br>-24  |                          |                                       | 9,5                                 | 1,5 | 49  | "  | "                                     | "  |                                    |                      | <sup>3)</sup><br>S51          |  |  |
| 745-4-21<br>-22<br>-23<br>-24  | E19                      | 12                                    | 10,5                                | 2,5 | 52  | 180  | rechts<br>right<br>4,5                | K3   | N2                                 | S33                  | A2                            |  |  |
| 745-5-21<br>-22<br>-23<br>-24  |                          |                                       | 11                                  | 2,5 | 53  | "  | "                                     | links<br>left<br>3                                 |                                    |                      | <sup>3)</sup><br>S23          |  |  |
| 745-7-21<br>-22<br>-23<br>-24  | E119                     | "                                     | 10,5                                | 2,5 | 52  | "  | "                                     | K3   | N6                                 | S33                  | A2                            | <p>Tascheneingriffe links paspeliert<br/>nach NB 335;447;449;451;452;453;454.<br/>Pocket openings, piped on the l/h side<br/>according to NB 335;447;449;451;452;453;<br/>454.</p> <p>Zu verwenden bei Paspelaufnahme links<br/>(Futterinnentaschen)<br/>For use with picking up the piping on<br/>the left.<br/>(lining inside pockets)</p> |  |
| 745-15-21<br>-22<br>-23<br>-24 |                          |                                       | 11                                  | 2,5 | 53  | "  | "                                     | "  |                                    |                      | <sup>3)</sup><br>S23          |  |  |
| 745-15-21<br>-22<br>-23<br>-24 | E219                     | "                                     | 10,5                                | 2,5 | 52  | "  | "                                     | K3   | N10                                | S47                  | A2                            | <p>Bei Ausstattung mit Zuführung für<br/>Verstärkungsstreifen auch für NB 448;450<br/>When fitted with feeding equipment for<br/>backing straps also for NB 448;450.</p>   |  |
|                                |                          |                                       | 11                                  | 2,5 | 53  | "  | "                                     | "  |                                    |                      | <sup>3)</sup><br>S52          |  |  |

1) Die Paspelbreite ergibt sich aus a bzw. b + Paspelstreifenstärke.

The piping width results from a and b + piping strip thickness.

2) Stoffdurchgang = Engste Stelle am Faltstempel zur Führung des Nähgutes.

Cloth passage = Narrowest point at the folder for guiding the work.

3) Je nach NB ist die Breite des Greiffaltstempels u. des Faltstempels so bemessen, daß ein gut geschlossener Tascheneingriff genäht wird. Um dieses auch bei dünnerem Nähgut oder beim Weglassen einer Patte zu erreichen, sind Stempel mit größerer Breite festgelegt worden, z.B. S16 bei E3.

Depending on the NB the width of the catch and of the folder is such that a well closed pocket opening can be sewn. For ensuring this also with thin material or when omitting a flap, there are wider equipments, e.g. S16 for E3.





| Unterklasse<br>Sub-class                                       | Einrichtung<br>Equipment | Nahtabstand in mm<br>Seam distance, mm | Falztempelmaß<br>Folder size |     | max. Paspelstreifenbreite in mm<br>Max piping strip width, mm | max. Nählänge in mm<br>Max seam length, mm | Stoffdurchgang<br>Cloth passage              | Einrichtung besteht aus<br>Equipment consisting of |                                 |                      |                               | Überstand max. 20 mm<br>Max. projection<br>20 mm |  | Beschreibung<br>Description |
|--|--------------------------|--|------------------------------|-----|---|--|--|--|---------------------------------|----------------------|-------------------------------|--|--|-----------------------------|
|  |                          |  | a                            | b   |   |  |  | Klammern<br>Clamps                                 | Nährichtung<br>Sewing equipment | Faltstempel<br>Stamp | Auflagen<br>Preparation table |  |  |                             |
| 745-4-21<br>-22<br>-23<br>-24<br>745-5-21<br>-22<br>-23<br>-24 | E20                      | 10                                     | 4                            | 4   | 72  | 180  | rechts<br>right<br>3,5<br>links<br>left<br>2 | K3<br>K13  | N1                              | S27                  | A3                            |  | Tascheneingriffe beidseitig paspeliert nach NB 333;429;430;435;438;440;442;444;445.        |                             |
|  |                          |  | 4,5                          | 4,5 | 74  | "  | "  |  |                                 |                      | S17 <sup>3)</sup>             |  | Zu verwenden bei Paspelaufnahme links (Futterinnentaschen)                                 |                             |
| 745-7-21<br>-22<br>-23<br>-24                                  | E120                     | "                                      | 4                            | 4   | 72  | "  | "  | K3<br>K13  | N5                              | S27                  | A3                            |  | Pocket openings, piped at either side according to NB 333;429;430;435;438;440;442;444;445. |                             |
|  |                          |  | 4,5                          | 4,5 | 74  | "  | "  |  |                                 |                      | S17 <sup>3)</sup>             |  | Für die Verwendung bei Paspelaufnahme links (Futterinnentaschen)                           |                             |
| 745-15-21<br>-22<br>-23<br>-24                                 | E220                     | "                                      | 4                            | 4   | 72  | "  | "  | K3<br>K13  | N9                              | S41                  | A3                            |  | Bei Ausstattung mit Zuführung für Verstärkungsstreifen auch für NB 436;437;439;441.        |                             |
|  |                          |  | 4,5                          | 4,5 | 74  | "  | "  |  |                                 |                      | S53 <sup>3)</sup>             |  | When fitted with feeding equipment for backing straps also for NB 436;437;439;441          |                             |
| 745-4-21<br>-22<br>-23<br>-24<br>745-5-21<br>-22<br>-23<br>-24 | E21                      | 12                                     | 5                            | 5   | 78  | 180  | rechts<br>right<br>4,5<br>links<br>left<br>3 | K3<br>K13  | N2                              | S31                  | A3                            |  | Tascheneingriffe beidseitig paspeliert nach NB 333;429;430;435;438;440;442;444;445.        |                             |
|  |                          |  | 5,5                          | 5,5 | 80  | "  | "  |  |                                 |                      | S21 <sup>3)</sup>             |  | Pocket openings, piped at either side according to NB 333;429;430;435;438;440;442;444;445. |                             |
| 745-7-21<br>-22<br>-23<br>-24                                  | E121                     | "                                      | 5                            | 5   | 78  | "  | "  | K3<br>K13  | N6                              | S31                  | A3                            |  | Zu verwenden bei Paspelaufnahme links (Futterinnentaschen)                                 |                             |
|  |                          |  | 5,5                          | 5,5 | 80  | "  | "  |  |                                 |                      | S21 <sup>3)</sup>             |  | For use with picking up the piping on the left.  |                             |
| 745-15-21<br>-22<br>-23<br>-24                                 | E221                     | "                                      | 5                            | 5   | 78  | "  | "  | K3<br>K13  | N10                             | S45                  | A3                            |  | Bei Ausstattung mit Zuführung für Verstärkungsstreifen auch für NB 436;437;439;441.        |                             |
|  |                          |  | 5,5                          | 5,5 | 80  | "  | "  |  |                                 |                      | S54 <sup>3)</sup>             |  | When fitted with feeding equipment for backing straps also for NB 436;437;439;441          |                             |

1) Die Paspelbreite ergibt sich aus a bzw. b + Paspelstreifenstärke.

The piping width results from a and b + piping strip thickness.

2) Stoffdurchgang = Engste Stelle am Falztempel zur Führung des Nähgutes.

Cloth passage = Narrowest point at the folder for guiding the work.

3) Je nach NB ist die Breite des Greiffaltstempels u. des Falztempels so bemessen, daß ein gut geschlossener Tascheneingriff genäht wird. Um dieses auch bei dünnerem Nähgut oder beim Weglassen einer Patte zu erreichen, sind Stempel mit größerer Breite festgelegt worden, z.B. S16 bei E3.

Depending on the NB the width of the catch and of the folder is such that a well closed pocket opening can be sewn. For ensuring this also with thin material or when omitting a flap, there are wider equipments, e.g. S16 for E3.



| Unterklasse<br>Sub-class      | Einrichtung<br>Equipment | Nahtabstand in mm<br>Seam distance, mm | 1)<br>Faltempelmaß<br>Folder size |      | max. Paspelstreifenbreite in mm<br>Max piping strip width, mm | max. Nählänge in mm<br>Max seam length, mm | 2)<br>Stoffdurchgang<br>Cloth passage        | Einrichtung besteht aus<br>Equipment consisting of |                    |                                    |                      | Auflagen<br>Preparation table   | Beschreibung<br>Description |
|-------------------------------|--------------------------|--|-----------------------------------|------|---|--|--|--|--------------------|------------------------------------|----------------------|---|-----------------------------|
|                               |                          |  | NA                                | a    |   |  |  | b  | Klammern<br>Clamps | Näheinrichtung<br>Sewing equipment | Faltstempel<br>Stamp |   |                             |
|                               |                          |  |                                   |      |   |  |  |  |                    |                                    |                      |   |                             |
| 745-7-21<br>-22<br>-23<br>-24 | E122                     | 12                                     | 5                                 | 5    | 78  | 220  | rechts<br>right<br>3<br>links<br>left<br>4,5 | K6<br>K16  | N6                 | S30                                | A4                   | <p>Tascheneingriffe beidseitig paspeliert nach NB 333;429;430;435;438;440;442;444;445;<br/>Pocket openings, piped at either side according to NB 333;429;430;435;438;440;442;444;445.<br/>Zu verwenden bei Paspelaufnahme rechts.<br/>For use with picking up the piping on the right.<br/>Bei Ausstattung mit Zuführung für Verstärkungsstreifen auch für NB 436;437;439;441.<br/>When fitted with feeding equipment for backing straps also for Nb 436;437;439;441.</p> |                             |
| 745-7-21<br>-22<br>-23<br>-24 | E123                     | 12                                     | 2,5                               | 10,5 | 52  | 220  | rechts<br>right<br>3<br>links<br>left<br>4,5 | K6<br>K16  | N6                 | S32                                | A4                   | <p>Tascheneingriffe rechts paspeliert nach NB 431;455.<br/>Pocket openings, piped on the r/h side according to NB 431;455.<br/>Zu verwenden bei Paspelaufnahme rechts.<br/>For use with picking up the piping on the right.</p>   |                             |

1) Die Paspelbreite ergibt sich aus a bzw. b + Paspelstreifenstärke.

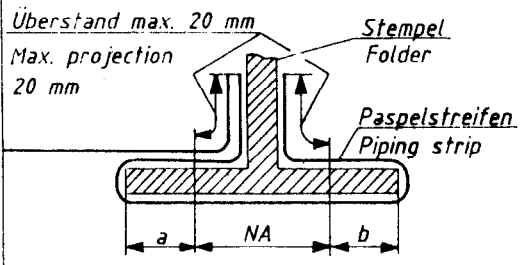

The piping width results from a and b + piping strip thickness.

2) Stoffdurchgang = Engste Stelle am Faltempel zur Führung des Nähgutes.

Cloth passage = Narrowest point at the folder for guiding the work.

3) Je nach NB ist die Breite des Greiffaltstempels u. des Faltempels so bemessen, daß ein gut geschlossener Tascheneingriff genäht wird. Um dieses auch bei dünnerem Nähgut oder beim Weglassen einer Patte zu erreichen, sind Stempel mit größerer Breite festgelegt worden, z.B. S16 bei E3.  
Depending on the NB the width of the catch and of the folder is such that a well closed pocket opening can be sewn. For ensuring this also with thin material or when omitting a flap, there are wider equipments, e.g. S16 for E3.



| Unterklasse<br>Sub-class      | Einrichtung<br>Equipment | Nahtabstand in mm<br>Seam distance, mm<br>NA | 1)<br>Falstempelmaß<br>Folder size |     | max. Paspelstreifenbreite in mm<br>Max piping strip width, mm | max. Nählänge in mm<br>Max seam length, mm | 2)<br>Stoffdurchgang<br>Cloth passage        |                                    | Einrichtung besteht aus<br>Equipment consisting of |     |    |   | Aufgaben<br>Preparation table | Beschreibung<br>Description |
|-------------------------------|--------------------------|--|------------------------------------|-----|---|--|--|------------------------------------|--|-----|----|---|-------------------------------|-----------------------------|
|                               |                          |  | a                                  | b   |   |  | Klammern<br>Clamps                           | Näheinrichtung<br>Sewing equipment | Falstempel<br>Stamp                                |     |    |   |                               |                             |
| 745-7-21<br>-22<br>-23<br>-24 | E124                     | 14   | 5,5                                | 5,5 | 82  | 220  | rechts<br>right<br>4<br>links<br>left<br>5,5 | K6<br>K16                          | N7   | S13 | A4 |  <p>Tascheneingriffe beidseitig paspeliert nach NB 333;429;430;435;438;440;442;444;445<br/>Pocket openings, piped at either side according to NB 333;429;430;435;438;440;442;444;445<br/>Zu verwenden bei Paspelaufnahme rechts.<br/>For use with picking up the piping on the right.<br/>Bei Ausstattung mit Zuführung für Verstärkungsstreifen auch für NB 436; 437;439;441<br/>When fitted with feeding equipment for backing straps also for NB 436; 437;439;441</p>    |                               |                             |
| 745-7-21<br>-22<br>-23<br>-24 | E125                     | 16   | 6,5                                | 6,5 | 88  | 220  | rechts<br>right<br>5<br>links<br>left<br>6,5 | K6<br>K16                          | N8   | S24 | A4 |  <p>Tascheneingriffe beidseitig paspeliert nach NB 333;429;430;435;438;440;442;444;445<br/>Pocket openings, piped at either side according to NB 333;429;430;435;438;440;442;444;445<br/>Zu verwenden bei Paspelaufnahme rechts.<br/>For use with picking up the piping on the right.<br/>Bei Ausstattung mit Zuführung für Verstärkungsstreifen auch für NB 436; 437;439;441<br/>When fitted with feeding equipment for backing straps also for NB 436; 437;439;441</p> |                               |                             |

1) Die Paspelbreite ergibt sich aus a bzw. b + Paspelstreifenstärke.  
The piping width results from a and b + piping strip thickness.

3) Je nach NB ist die Breite des Greiffaltstempels u. des Falstempels so bemessen, daß ein gut geschlossener Tascheneingriff gewirkt wird. Um dieses auch bei dünnerem Nähgut oder beim Weglassen einer Patte zu erreichen, sind Stempel mit größerer Breite festgelegt worden, z.B. S16 bei E3.  
Depending on the NB the width of the catch and of the folder is such that a well closed pocket opening can be sewn. For ensuring this also with thin material or when omitting a flap, there are wider equipments, e.g. S16 for E3.

2) Stoffdurchgang = Engste Stelle am Falstempel zur Führung des Nähgutes.  
Cloth passage = Narrowest point at the folder for guiding the work.



| Unterklasse<br>Sub-class                                       | Einrichtung<br>Equipment | 1)                                     |                               |   | 2)   |                                 |  | Einrichtung besteht aus<br>Equipment consisting of |                      |                               |    | Beschreibung<br>Description   |
|--|--------------------------|--|-------------------------------|---|--|---------------------------------|--|--|----------------------|-------------------------------|----|---|
|  |                          | Nahtabstand in mm<br>Seam distance, mm | Faltstempelmaß<br>Folder size | max. Paspelstreifenbreite in mm<br>Max piping strip width, mm | max. Nählänge in mm<br>Max seam length, mm | Stoffdurchgang<br>Cloth passage | Klammern<br>Clamps                           | Nährichtung<br>Sewing equipment                    | Faltstempel<br>Stamp | Auflagen<br>Preparation table |    |   |
|  |                          | NA                                     | a                             | b   |  |                                 |  |  |                      |                               |    |   |
|  |                          |  |                               |   |  |                                 |  |  |                      |                               |    |   |
| 745-7-21<br>-22<br>-23<br>-24                                  | E126                     | 20                                     | 8,5                           | 8,5   | 100  | 220                             | rechts<br>right<br>7<br>links<br>left<br>8,5 | K6<br>K16  | N14                  | S35                           | A4 | <p>Tascheneingriffe beidseitig paspeliert nach NB 333;429;430;435;438;440;442; 444;445<br/>Pocket openings, piped at either side according to NB 333;429;430;435;438;440; 442;444;445<br/>Zu verwenden bei Paspelaufnahme rechts.<br/>For use with picking up the piping on the right.<br/>Bei Ausstattung mit Zuführung für Verstärkungsstreifen auch für NB 436; 437;439;441<br/>When fitted with feeding equipment for backing straps also for NB 436; 437;439;441</p> |
| 745-4-21<br>-22<br>-23<br>-24<br>745-5-21<br>-22<br>-23<br>-24 | E27                      | 14                                     | 3                             | 12  | 55   | 180                             | rechts<br>right<br>4<br>links<br>left<br>5,5 | K3<br>K13  | N3                   | S37                           | A2 | <p>Tascheneingriffe rechts paspeliert nach NB 431; 455.<br/>Pocket openings, piped on the r/h side according to NB 431; 455.<br/>Zu verwenden bei Paspelaufnahme rechts.<br/>For use with picking up the piping on the right.</p>   |
| 745-7-21<br>-22<br>-23<br>-24                                  | E127                     | "                                      | "                             | "   | "  | "                               | "  | "  | N7                   | "                             | "  | <p>Zu verwenden bei Paspelaufnahme rechts.<br/>For use with picking up the piping on the right.</p>   |
| 745-15-21<br>-22<br>-23<br>-24                                 | E227                     | "                                      | "                             | "   | "  | "                               | "  | "  | N11                  | S56                           | "  |   |

1) Die Paspelbreite ergibt sich aus a bzw. b + Paspelstreifenstärke.  
The piping width results from a and b + piping strip thickness.

2) Stoffdurchgang = Engste Stelle am Fallstempel zur Führung des Nähgutes.  
Cloth passage = Narrowest point at the folder for guiding the work.

3) Je nach NB ist die Breite des Greiffaltstempels u. des Fallstempels ~~er~~ bemessen, ~~daß ein gut geschlossener Tascheneingriff genäht wird.~~ Um dieses auch bei dünnerem Nähgut oder beim Weglassen einer Patte zu erreichen, sind Stempel mit größerer Breite festgelegt worden, z.B. S16 bei E3.  
Depending on the NB the width of the catch and of the folder is such that a well closed pocket opening can be sewn. For ensuring this also with thin material or when omitting a flap, there are wider equipments, e.g. S16 for E3.



| Unterklasse<br>Sub-class                                       | Einrichtung<br>Equipment | Nahtabstand in mm<br>Seam distance, mm |     | 1)<br>Faltempelmaß<br>Folder size |                    | max. Paspelstreifenbreite in mm<br>Max piping strip width, mm | max. Nählänge in mm<br>Max seam length, mm | 2)<br>Stoffdurchgang<br>Cloth passage        | Einrichtung besteht aus<br>Equipment consisting of |                      |                               |    | Überstand max. 20 mm<br>Max. projection<br>20 mm   |   | Beschreibung<br>Description |
|--|--------------------------|--|-----|-----------------------------------|--------------------|---|--|--|--|----------------------|-------------------------------|----|--|---|-----------------------------|
|  |                          | NA                                     | a   | b                                 | Klammern<br>Clamps |   |  |  | Nährichtung<br>Sewing equipment                    | Faltstempel<br>Stamp | Auflagen<br>Preparation table |    |  |   |                             |
| 745-4-21<br>-22<br>-23<br>-24<br>745-5-21<br>-22<br>-23<br>-24 | E28                      | 14                                     | 12  | 3                                 |                    | 55  | 180  | rechts<br>right<br>4<br>links<br>left<br>5,5 | K3<br>K13  | N3                   | S36                           | A2 | <p>Tascheneingriffe links paspeliert<br/>nach NB 335; 447; 449; 451; 452; 453;<br/>454.<br/>Pocket openings, piped on the l/h side<br/>according to NB 335; 447; 449; 451;<br/>452; 453; 454.<br/>Zu verwenden bei Paspelaufnahme links.<br/>For use with picking up the piping<br/>on the left.</p> |   |                             |
| 745-7-21<br>-22<br>-23<br>-24                                  | E128                     | "                                      | "   | "                                 | "                  | "   | "  | "  | "  | N7                   | "                             | "  |  |   |                             |
| 745-15-21<br>-22<br>-23<br>-24                                 | E228                     | "                                      | "   | "                                 | "                  | "   | "  | "  | "  | N11                  | S57                           | "  |  | Bei Ausstattung mit Zuführung für<br>Verstärkungsstreifen auch für NB 448;<br>450.<br>When fitted with feeding equipment<br>for backing straps also for NB 448;<br>450. |                             |
| 745-4-21<br>-22<br>-23<br>-24<br>745-5-21<br>-22<br>-23<br>-24 | E29                      | 16                                     | 4,5 | 14                                |                    | 60  | 180  | rechts<br>right<br>5<br>links<br>left<br>6,5 | K3<br>K13  | N4                   | S39                           | A2 | <p>Tascheneingriffe rechts paspeliert<br/>nach NB 431; 455.<br/>Pocket openings, piped on the r/h side<br/>according to NB 431; 455.<br/>Zu verwenden bei Paspelaufnahme rechts.<br/>For use with picking up the piping<br/>on the right.</p>  |   |                             |
| 745-7-21<br>-22<br>-23<br>-24                                  | E129                     | "                                      | "   | "                                 | "                  | "   | "  | "  | "  | N8                   | "                             | "  |  |   |                             |
| 745-15-21<br>-22<br>-23<br>-24                                 | E229                     | "                                      | "   | "                                 | "                  | "   | "  | "  | "  | N12                  | S58                           | "  |  |   |                             |

1) Die Paspelbreite ergibt sich aus a bzw. b + Paspelstreifenstärke.

The piping width results from a and b + piping strip thickness.

2) Stoffdurchgang = Engste Stelle am Faltempel zur Führung des Nähgutes.

Cloth passage = Narrowest point at the folder for guiding the work.

3) Je nach NB ist die Breite des Greiffaltstempels u. des Faltempels so bemessen, daß ein gut geschlossener Tascheneingriff genäht wird. Um dieses auch bei dünnerem Nähgut oder beim Weglassen einer Patte zu erreichen, sind Stempel mit größerer Breite festgelegt worden, z.B. S36 bei E3.

Depending on the NB the width of the catch and of the folder is such that a well closed pocket opening can be sewn. For ensuring this also with thin material or when omitting a flap, there are wider equipments, e.g. S36 for E3.



Einrichtungen der  
Equipment of

Kl. 745

Blatt 17

Page 17

| Unterklasse<br>Sub-class       | Einrichtung<br>Equipment | Nahtabstand in mm<br>Seam distance, mm | 1)<br>Faltstempelmaß<br>Folder size |     | max. Paspelstreifenbreite in mm<br>Max piping strip width, mm | max. Nählänge in mm<br>Max seam length, mm   | 2)<br>Stoffdurchgang<br>Cloth passage |                    | Einrichtung besteht aus<br>Equipment consisting of | Übersand max. 20 mm<br>Max. projection<br>20 mm |    | Beschreibung<br>Description   |
|--------------------------------|--------------------------|--|-------------------------------------|-----|---|--|---------------------------------------|--------------------|--|---|----|---|
|                                |                          |  | NA                                  | a   |   |  | b                                     | Klammern<br>Clamps |  |   |    |   |
| 745-4-21<br>-22<br>-23<br>-24  | E30                      | 16                                     | 14                                  | 4,5 | 60  | 180  |                                       |                    |  |   |    | <br>Tascheneingriffe links paspeliert<br>nach NB 335; 447; 449; 451; 452; 453;<br>454.  |
| 745-5-21<br>-22<br>-23<br>-24  |                          |  |                                     |     |   | rechts<br>right<br>5<br>links<br>left<br>6,5 |                                       | K3<br>K13          | N4   | S38   | A2 |   |
| 745-7-21<br>-22<br>-23<br>-24  | E130                     | "                                      | "                                   | "   | "   | "  | "                                     | "                  | N8   | "   | "  | Pocket openings, piped on the l/h side<br>according to NB 335; 447; 449; 451;<br>452; 453; 454.<br><br>Zu verwenden bei Paspelaufnahme links.<br>For use with picking up the piping<br>on the left.   |
| 745-15-21<br>-22<br>-23<br>-24 | E230                     | "                                      | "                                   | "   | "   | "  | "                                     | "                  | N12  | S59   | "  | Bei Ausstattung mit Zuführung für<br>Verstärkungsstreifen auch für NB 448;<br>450.<br>When fitted with feeding equipment<br>for backing straps also for NB 448;<br>450.                               |
|                                |                          |  |                                     |     |   |  |                                       |                    |  |   |    | <br>Tascheneingriffe links paspeliert<br>nach NB 335; 447; 449; 451; 452; 453;<br>454   |
| 745-7-21<br>-22<br>-23<br>-24  | E131                     | 20                                     | 18,5                                | 6,5 | 70  | 220  |                                       |                    |  |   |    | Pocket openings, piped on the l/h<br>side according to NB 335; 447; 449;<br>451; 452; 453; 454<br><br>Zu verwenden bei Paspelaufnahme<br>links.<br>For use with picking up the piping<br>on the left. |
|                                |                          |  |                                     |     |   |  |                                       |                    |  |   |    |   |

1) Die Paspelbreite ergibt sich aus a bzw. b + Paspelstreifenstärke.

The piping width results from a and b + piping strip thickness.

2) Stoffdurchgang = Engste Stelle am Faltstempel zur Führung des Nähgutes.

Cloth passage = Narrowest point at the folder for guiding the work.

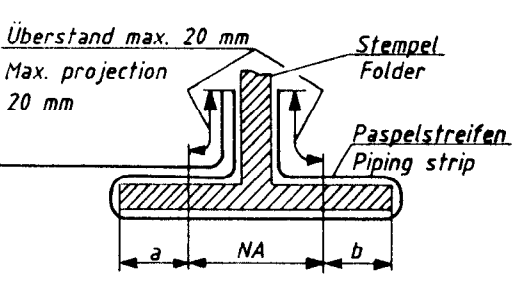
3) ~~Je nach NB ist die Breite des Greiffaltstempels u. des Faltstempels so bemessen, daß ein gut geschlossener Tascheneingriff geätzt wird. Um dieses auch bei dünnerem Nähgut oder beim Weglassen einer Patte zu erreichen, sind Stempel mit größerer Breite festgelegt worden, z.B. S16 bei E3.~~

~~Depending on the NB the width of the catch and of the folder is such that a well closed pocket opening can be sewn. For ensuring this also with thin material or when omitting a flap, there are wider equipments, e.g. S16 for E3.~~

Fortsetzung

Blatt: 18



| Unterklasse<br>Sub-class      | Einrichtung<br>Equipment | Nahtabstand in mm<br>Seam distance, mm | 1)<br>Falstempelmaß<br>Folder size |      | max. Paspelstreifenbreite in mm<br>Max piping strip width, mm | max. Nählänge in mm<br>Max seam length, mm | 2)<br>Stoffdurchgang<br>Cloth passage        | Einrichtung besteht aus<br>Equipment consisting of | Klammern<br>Clamps | Nährichtung<br>Sewing equipment | Falstempel<br>Stamp | Auflagen<br>Preparation table | Beschreibung<br>Description   |
|-------------------------------|--------------------------|--|------------------------------------|------|---|--|--|--|--------------------|---------------------------------|---------------------|-------------------------------|---|
|                               |                          |  | a                                  | b    |   |  |  |  |                    |                                 |                     |                               |   |
| 745-7-21<br>-22<br>-23<br>-24 | E132                     | 20                                     | 6,5                                | 18,5 | 70  | 220  | rechts<br>right<br>7<br>links<br>left<br>8,5 | K6   | N14                | S61                             | A4                  |                               |  <p>Tascheneingriffe rechts paspeliert nach NB 431; 455<br/>Pocket openings, piped on the r/h side according to NB 431; 455</p> <p>Zu verwenden bei Paspelaufnahme rechts.<br/>For use with picking up the piping on the right.</p> |

1) Die Paspelbreite ergibt sich aus a bzw. b + Paspelstreifenstärke.

The piping width results from a and b + piping strip thickness.

2) Stoffdurchgang = Engste Stelle am Falstempel zur Führung des Nähgutes.

Cloth passage = Narrowest point at the folder for guiding the work.

3) Je nach NB ist die Breite des Greiffaltstempels u. des Falstempels so bemessen, daß ein gut geschlossener Tascheneingriff genäht wird. Um dieses auch bei dünnerem Nähgut oder beim Weglassen einer Patte zu erreichen, sind Stempel mit größerer Breite festgelegt worden, z.B. S16 bei E3.

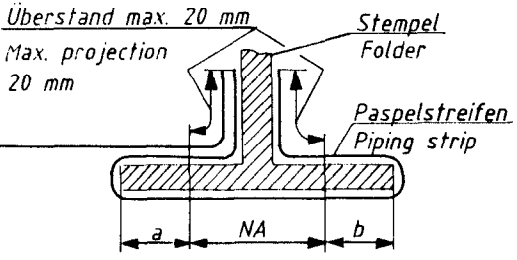
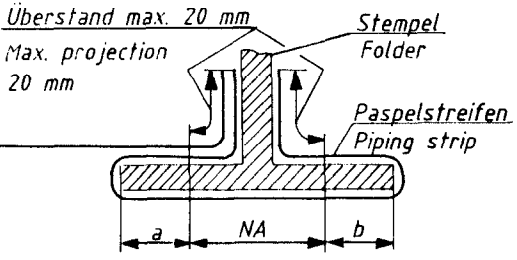
Depending on the NB the width of the catch and of the folder is such that a well closed pocket opening can be sewn. For ensuring this also with thin material or when omitting a flap, there are wider equipments, e.g. S16 for E3.



Einrichtungen der  
Equipment of

Kl. 745

Blatt 19  
Page 19

| Unterklasse<br>Sub-class      | Einrichtung<br>Equipment | Nahtabstand in mm<br>Seam distance, mm | 1)<br>Faltstempelmaß<br>Folder size |   | max. Paspelstreifenbreite in mm<br>Max piping strip width, mm | max. Nählänge in mm<br>Max seam length, mm | 2)<br>Stoffdurchgang<br>Cloth passage | Klammern<br>Clamps | Nährichtung<br>Sewing equipment | Faltstempel<br>Stamp | Auflagen<br>Preparation table | Einrichtung besteht aus<br>Equipment consisting of                                 | Beschreibung<br>Description  |
|-------------------------------|--------------------------|--|-------------------------------------|---|---|--|---------------------------------------|--------------------|---------------------------------|----------------------|-------------------------------|--|--|
|                               |                          |  | a                                   | b |   |  |                                       |                    |                                 |                      |                               |  |  |
| 745-2-11<br>-12<br>-13<br>-14 | E301                     | 10                                     | 4                                   | 4 | 70  | 180  | 2,5                                   | K1<br>K11          | N16                             | S62                  | -                             |  | <p>Tascheneingriffe beidseitig paspeliert nach NB 333, 444<br/>Pocket openings, piped at either side according to NB 333, 444</p> <p>Mit Verstärkungsstreifen zusätzlich:<br/>794 2951 Bandzuführung<br/>794 2971 Gleitblech<br/>With reinforcing tape additionally:<br/>794 2951 tape feeder<br/>794 2971 sliding sheet</p> <p>Mit Reißverschluss zusätzlich:<br/>794 6501 Schere mit Abzugsgerät<br/>793 25911 Führungstelle für Reißverschluss an S62, mit 20-24mm Bandbreite und 4mm Kettenbreite<br/>With zipper additionally:<br/>794 6501 Scissors with pull-off device<br/>793 25911 Guides for zipper on S62, with tape width 20-24mm and chain width 4mm</p> |
| 745-2-11<br>-12<br>-13<br>-14 | E302                     | 12                                     | 5                                   | 5 | 76  | 180  | 3,5                                   | K1<br>K11          | N17                             | S63                  | -                             |  | <p>Tascheneingriffe beidseitig paspeliert nach NB 333, 444<br/>Pocket openings, piped at either side according to NB 333, 444</p> <p>Mit Verstärkungsstreifen zusätzlich:<br/>794 2951 Bandzuführung<br/>794 2972 Gleitblech<br/>With reinforcing tape additionally:<br/>794 2951 tape feeder<br/>794 2972 sliding sheet</p> <p>Mit Reißverschluss zusätzlich:<br/>794 6501 Schere mit Abzugsgerät<br/>793 25911 Führungstelle für Reißverschluss an S63, mit 20-24mm Bandbreite und 4mm Kettenbreite<br/>With zipper additionally:<br/>794 6501 Scissors with pull-off device<br/>793 25911 Guides for zipper on S63, with tape width 20-24mm and chain width 4mm</p> |

1) Die Paspelbreite ergibt sich aus a bzw. b + Paspelstreifenstärke.

The piping width results from a and b + piping strip thickness.

2) Stoffdurchgang = Engste Stelle am Faltstempel zur Führung des Nähgutes.

Cloth passage = Narrowest point at the folder for guiding the work.

3) Je nach NB ist die Breite des Greiffaltstempels u. des Faltstempels so bemessen, daß ein gut geschlossener Tascheneingriff gewirkt wird. Um dieses auch bei dünnerem Nähgut oder beim Weglassen einer Patte zu erreichen, sind Stempel mit größerer Breite festgelegt worden, z.B. S16 bei E3.

Depending on the NB the width of the catch and of the folder is such that a well closed pocket opening can be sewn. For ensuring this also with thin material or when omitting a flap, there are wider equipments, e.g. S16 for E3.





| Unterklasse<br>Sub-class      | Einrichtung<br>Equipment | Nahabstand in mm<br>Seam distance, mm | 1)<br>Faltstempelmaß<br>Folder size |   | max. Paspelstreifenbreite in mm<br>Max piping strip width, mm | max. Nählänge in mm<br>Max seam length, mm | 2)<br>Stoffdurchgang<br>Cloth passage |           | Einrichtung besteht aus<br>Equipment consisting of | Klammern<br>Clamps | Nähmaschine<br>Sewing equipment | Faltstempel<br>Stamp | Auflagen<br>Preparation table   |  | Beschreibung<br>Description |
|-------------------------------|--------------------------|---------------------------------------|-------------------------------------|---|---|--|---------------------------------------|-----------|--|--------------------|---------------------------------|----------------------|---|--|-----------------------------|
|                               |                          |                                       | a                                   | b |   |  | a                                     | b         |  |                    |                                 |                      |   |  |                             |
| 745-2-11<br>-12<br>-13<br>-14 | E303                     | 14                                    | 6                                   | 6 | 82  | 220  | 4,5                                   | K7<br>K17 | N18  | S64                | -                               | -                    | <p><b>Tascheneingriffe beidseitig paspelt nach NB 333, 444</b><br/>Pocket openings, piped at either side according to NB 333, 444</p> <p>Mit Verstärkungsstreifen zusätzlich:<br/>794 2951 Bandzuführung<br/>794 2972 Gleitblech</p> <p>With reinforcing tape additionally:<br/>794 2951 tape feeder<br/>794 2972 sliding sheet</p> <p>Mit Reißverschluss zusätzlich:<br/>794 6501 Schere mit Abzugsgerät<br/>793 25981 Führungsfelle für Reißverschluss an S64, mit 28-32mm Bandbreite und 6mm Kettenbreite</p> <p>With zipper additionally:<br/>794 6501 Scissors with pull-off device<br/>793 25981 Guides for zipper on S64, with tape width 28-32mm and chain width 6mm</p>  |  |                             |
| 745-2-11<br>-12<br>-13<br>-14 | E304                     | 12                                    | 5                                   | 5 | 45  | 180  | 3,5                                   | K8<br>K18 | N17  | S65                | -                               | -                    | <p><b>Tascheneingriffe beidseitig paspelt mit mittig liegendem, einteiligem Taschenbeutel nach NB 416</b><br/>Pocket openings, piped at either side, one-part pocket bag in the middle according to NB 416</p> <p>Mit Verstärkungsstreifen zusätzlich:<br/>794 2951 Bandzuführung<br/>794 2972 Gleitblech</p> <p>With reinforcing tape additionally:<br/>794 2951 tape feeder<br/>794 2972 sliding sheet</p> <p>Mit Reißverschluss zusätzlich:<br/>794 6501 Schere mit Abzugsgerät<br/>793 26021 Führungsfelle für Reißverschluss an S65, mit 17mm Bandbreite und 4mm Kettenbreite</p> <p>With zipper additionally:<br/>794 6501 Scissors with pull-off device<br/>793 26021 Guides for zipper on S65, with tape width 17mm and chain width 4mm</p> |  |                             |

1) Die Paspelbreite ergibt sich aus a bzw. b + Paspelstreifenstärke.

The piping width results from a and b + piping strip thickness.

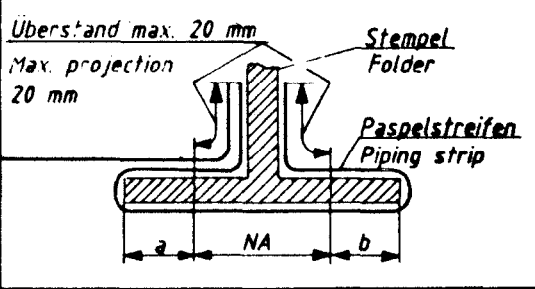
2) Stoffdurchgang = Engste Stelle am Faltstempel zur Führung des Nähgutes.

Cloth passage = Narrowest point at the folder for guiding the work.

3) Je nach NB ist die Breite des Greiffaltstempels u. des Faltstempels so bemessen, daß ein gut geschlossener Tascheneingriff geräht wird. Um dieses auch bei dünnerem Nähgut oder beim Weglassen einer Patte zu erreichen, sind Stempel mit größerer Breite festgelegt worden, z.B. S16 bei E3.

Depending on the NB the width of the catch and of the folder is such that a well closed pocket opening can be sewn. For ensuring this also with thin material or when omitting a flap, there are wider equipments, e.g. S16 for E3.



| Unterklasse<br>Sub-class      | Einrichtung<br>Equipment | Nahtabstand in mm<br>Seam distance, mm | 1)<br>Faltstempelmaß<br>Folder size |    | max. Paspelstreifenbreite in mm<br>Max piping strip width, mm | max. Nählänge in mm<br>Max seam length, mm | 2)<br>Stoffdurchgang<br>Cloth passage       | Einrichtung besteht aus<br>Equipment consisting of |                                 |                      | Auflagen<br>Preparation table | Beschreibung<br>Description   |
|-------------------------------|--------------------------|--|-------------------------------------|----|---|--|---|--|---------------------------------|----------------------|-------------------------------|---|
|                               |                          |  | a                                   | b  |   |  |   | Klammern<br>Clamps                                 | Nährichtung<br>Sewing equipment | Faltstempel<br>Stamp |                               |   |
| 745-2-11<br>-12<br>-13<br>-14 | E305                     | 10                                     | 8,5                                 | 15 | 47  | 180  | rechts<br>right<br>35<br>links<br>left<br>2 | K12  | N16                             | S82                  | —                             | <p>Tascheneingriffe links paspeliert<br/>nach NB 335,447,449,451,452,453,454</p> <p>Pocket openings ,piped on the l/h side<br/>according to NB 335,447,449,451,452,453,454</p>  <p>Mit Verstärkungsstreifen zusätzlich:<br/>794 2951 Bandzuführung<br/>794 2971 Gleitblech</p> <p>With reinforcing tape additionally:<br/>794 2951 tape feeder<br/>794 2971 sliding sheet</p> |
| 745-2-11<br>-12<br>-13<br>-14 | E306                     | 12                                     | 10,5                                | 25 | 52  | 180  | rechts<br>right<br>45<br>links<br>left<br>3 | K12  | N18                             | S83                  | —                             | <p>Tascheneingriffe links paspeliert<br/>nach NB 335,447,449,451,452,453,454</p> <p>Pocket openings ,piped on the l/h side<br/>according to NB 335,447,449,451,452,453,454</p> <p>Mit Verstärkungsstreifen zusätzlich:<br/>794 2951 Bandzuführung<br/>794 2972 Gleitblech</p> <p>With reinforcing tape additionally:<br/>794 2951 tape feeder<br/>794 2972 sliding sheet</p>  |

1) Die Paspelbreite ergibt sich aus a bzw. b + Paspelstreifenstärke.  
The piping width results from a and b + piping strip thickness.

2) Stoffdurchgang = Engste Stelle am Faltstempel zur Führung des Nähgutes.  
Cloth passage = Narrowest point at the folder for guiding the work.

~~3) Je nach NB ist die Breite des Greiffaltstempels u. des Faltstempels zu bemessen, daß ein gut geschlossener Tascheneingriff geätzt wird. Um dieses auch bei dünnerem Nahgut oder beim Weglassen einer Patte zu erreichen, sind Stempel mit größerer Breite festgelegt worden, z.B. S16 bei E3.~~  
Depending on the NB the width of the catch and of the folder is such that a well closed pocket opening can be sewn. For ensuring this also with thin material or when omitting a flap, there are wider equipments, e.g. S16 for E3



| K-Nr.<br>K-No. | Teile-Nr.<br>Part-No. | Benennung und Beschreibung<br>Denomination and description   |
|----------------|-----------------------|--|
| K1             | 792 8003              | <del>Klammer, links kpl. mit Falblech, ohne Pattenklemme.<br/>Clamp, l/h compl. with folding plate, without flap clamp.</del>  |
|                | 792 8103              | <del>Klammer, rechts kpl. mit Falblech, ohne Pattenklemme.<br/>Clamp, r/h compl. with folding plate, without flap clamp.</del><br><br><del>max. Nähtlänge 180mm<br/>Max. seam length 180mm</del><br><br><del>Wird ersetzt durch K11.<br/>Replaced by K11</del>   |
| K2             | 792 8003              | <del>Klammer, links kpl. mit Falblech, ohne Pattenklemme.<br/>Clamp, l/h compl. with folding plate, without flap clamp.</del>  |
|                | 792 8203              | <del>Klammer, rechts kpl. mit Falblech, Pattenklemme, Pattenform-<br/>anschlag.<br/>Clamp, r/h compl. with folding plate, flap clamp, stop for flaps<br/>of special shape.</del><br><br><del>Wird ersetzt durch K12      max. Nähtlänge 180mm<br/>Replaced by K12              Max. seam length 180mm</del>  |
| K3             | 792 8403              | <del>Klammer, links kpl. mit Falblech und Pattenklemme.<br/>Clamp, l/h compl. with folding plate and flap clamp.</del>   |
|                | 792 8503              | <del>Klammer, rechts kpl. mit Falblech und Pattenklemme.<br/>Clamp, r/h compl. with folding plate and flap clamp.</del><br><br><del>max. Nähtlänge 180mm<br/>Max. seam length 180mm</del><br><br><del>Wird ersetzt durch K13<br/>Replaced by K13</del>   |
| K4             | 792 8003              | <del>Klammer, links kpl. mit Falblech, ohne Pattenklemme.<br/>Clamp, l/h compl. with folding plate, without flap clamp.</del>  |
|                | 792 8603              | <del>Klammer, rechts kpl. ohne Falblech mit Pattenklemme und<br/>Anschlag zum Anlegen einer Knopfschleufe.<br/>Clamp, r/h compl. without folding plate, with flap clamp and<br/>stop for positioning a button loop.</del><br><br><del>Wird ersetzt durch K14      max. Nähtlänge 180mm<br/>Replaced by K14              Max. seam length 180mm</del> |



| K-Nr.<br>K-No. | Teile-Nr.<br>Part-No. | Benennung und Beschreibung<br>Denomination and description  |
|----------------|-----------------------|---|
| K5             | 792 8803              | Klammer, links kpl. mit Pattenklemme und speziellen Anschlag für Brustleisten in Sakkos.<br>Clamp, l/h compl. with flap clamp and special stop for breast welts in jackets.   |
|                | 792 8853              | Klammer, rechts kpl.<br>Clamp, r/h compl.<br><br>max. Nählänge 145 mm<br>Max. seam length 145 mm  |
| K6             | 792 8903              | Klammer, links kpl. mit Faltblech und Pattenklemme.<br>Clamp, l/h compl. with folding plate and flap clamp.   |
|                | 792 9003              | Klammer, rechts kpl. mit Faltblech und Pattenklemme.<br>Clamp, r/h compl. with folding plate and flap clamp.<br><br>Wird ersetzt durch K16<br>Replaced by K16<br><br>max. Nählänge 220mm.<br>Max. seam length 220mm.      |
| K7             | 792 9103              | Klammer, links kpl. mit Faltblech, ohne Pattenklemme.<br>Clamp, l/h compl. with folding plate, without flap clamp.  |
|                | 792 9107              | Klammer, rechts kpl. mit Faltblech, ohne Pattenklemme.<br>Clamp, r/h compl. with folding plate, without flap clamp.<br><br>Wird ersetzt durch K17<br>Replaced by K17<br><br>max. Nählänge 220mm<br>Max. seam length 220mm |
| K8             | 792 8403              | Klammer, links kpl. mit Faltblech und Pattenklemme.<br>Clamp, l/h compl. with folding plate and flap clamp.   |
|                | 792 9153              | Klammer, rechts kpl. mit Faltblech und Pattenklemme.<br>Clamp, r/h compl. with folding plate and flap clamp.<br><br>Wird ersetzt durch K18<br>Replaced by K18<br><br>max. Nählänge 180mm<br>Max. seam length 180mm        |



| K-Nr.<br>K-No. | Teile-Nr.<br>Part-No. | Benennung und Beschreibung<br>Denomination and description   |  |  |  |  |  |  |                         |
|----------------|-----------------------|--|--|--|--|--|--|--|-------------------------|
| K11            | 792 10 003            | Klammer, links kpl. mit Faltblech, ohne Pattenklemme.<br>Clamp, l/h compl. with folding plate, without flap clamp.   |  |  |  |  |  |  |                         |
|                | 792 10 153            | Klammer, rechts kpl. mit Faltblech, ohne Pattenklemme.<br>Clamp, r/h compl. with folding plate, without flap clamp.<br><br>max. Nählänge 180mm<br>Max. seam length 180mm.  |  |  |  |  |  |  |                         |
| K12            | 792 10 003            | Klammer, links kpl. mit Faltblech, ohne Pattenklemme.<br>Clamp, l/h compl. with folding plate, without flap clamp.   |  |  |  |  |  |  |                         |
|                | 792 10 303            | Klammer, rechts kpl. mit Faltblech, Pattenklemme, Pattenform-<br>anschlag.<br>Clamp, r/h compl. with folding plate, flap clamp, stop for flaps<br>of special shape<br><br>max. Nählänge 180mm<br>Max. seam length 180mm.   |  |  |  |  |  |  |                         |
| K13            | 792 10 503            | Klammer, links kpl. mit Faltblech und Pattenklemme.<br>Clamp, l/h compl. with folding plate and flap clamp.  |  |  |  |  |  |  |                         |
|                | 792 10 653            | Klammer, rechts kpl. mit Faltblech und Pattenklemme.<br>Clamp, r/h compl. with folding plate and flap clamp.<br><br>max. Nählänge 180mm<br>Max. seam length 180mm.   |  |  |  |  |  |  |                         |
| K14            | 792 10 003            | Klammer, links kpl. mit Faltblech, ohne Pattenklemme.<br>Clamp, l/h compl. with folding plate, without flap clamp.   |  |  |  |  |  |  |                         |
|                | 792 10703             | Klammer, rechts kpl. ohne Faltblech mit Pattenklemme und<br>Anschlag zum Anlegen einer Knopfschleufe.<br>Clamp, r/h compl. without folding plate, with flap clamp and<br>stop for positioning a button loop.<br><br>max. Nählänge 180mm<br>Max. seam length 180mm. |  |  |  |  |  |  |                         |
|                |                       |  |  |  |  |  |  |  | Fortsetzung<br>Blatt 25 |



| K-Nr.<br>K-No. | Teile-Nr.<br>Part-No. | Benennung und Beschreibung<br>Denomination and description   |
|----------------|-----------------------|--|
| K              | 792                   | <del>Klammer, links kpl. mit Pattenklemme und speziellen Anschlag für Brustleisten in Sakkos.<br/>Clamp, l/h compl. with flap clamp and special stop for breast welts in jackets</del> |
|                | 792                   | <del>Klammer, rechts kpl.<br/>Clamp, r/h compl.<br/><br/>max. Nählänge 145mm<br/>Max. seam length 145mm</del>  |
| K 16           | 792 10 903            | Klammer, links kpl. mit Faltblech und Pattenklemme.<br>Clamp, l/h compl. with folding plate and flap clamp.  |
|                | 792 11 003            | Klammer, rechts kpl. mit Faltblech und Pattenklemme.<br>Clamp, r/h compl. with folding plate and flap clamp.<br><br>max. Nählänge 220mm<br>Max. seam length 220mm                      |
| K 17           | 792 11 103            | Klammer, links kpl. mit Faltblech, ohne Pattenklemme.<br>Clamp, l/h compl. with folding plate, without flap clamp.   |
|                | 792 11 107            | Klammer, rechts kpl. mit Faltblech, ohne Pattenklemme.<br>Clamp, r/h compl. with folding plate, without flap clamp.<br><br>max. Nählänge 220mm<br>Max. seam length 220mm               |
| K 18           | 792 10 503            | Klammer, links kpl. mit Faltblech und Pattenklemme.<br>Clamp, l/h compl. with folding plate and flap clamp.  |
|                | 792 11 153            | Klammer, rechts kpl. mit Faltenblech und Pattenklemme.<br>Clamp, r/h compl. with folding plate and flap clamp.<br><br>max. Nählänge 180mm<br>Max. seam length 180mm                    |

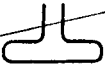
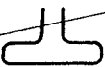
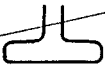





Einrichtungen der  
Equipment of

Kl. 745

Blatt 26

Page 26

| S-Nr.<br>S-No. | Teile-Nr.<br>Part-No.  | Unterklasse<br>Sub-class      | NA in mm<br>NA/mm   | Benennung und Beschreibung<br>Denomination and description   |
|----------------|------------------------|-------------------------------|---|--|
| S1             | 793 24503<br>793 25102 | 745-4-11<br>-12<br>-13<br>-14 | 10<br>   | <del>Faltstempel, vorn<br/>Folder, in front</del><br>Faltstempel<br>Folder Wird ersetzt durch S14<br>Replaced by S14             |
| S2             | 793 24513<br>793 25231 | 745-4-11<br>-12<br>-13<br>-14 | 12<br>   | <del>Faltstempel, vorn<br/>Folder, in front</del><br>Faltstempel<br>Folder Wird ersetzt durch S15<br>Replaced by S15             |
| S3             | 793 25002<br>793 25102 | 745-4-21<br>-22<br>-23<br>-24 | 10<br> | <del>Greiffaltstempel<br/>Pick-up attachment and folder</del><br>Faltstempel<br>Folder Wird ersetzt durch S26<br>Replaced by S26 |
| S4             | 793 25002<br>793 25145 | 745-4-21<br>-22<br>-23<br>-24 | 10<br> | <del>Greiffaltstempel<br/>Pick-up attachment and folder</del><br>Faltstempel<br>Folder Wird ersetzt durch S27<br>Replaced by S27 |
| S5             | 793 25153<br>793 25161 | 745-4-21<br>-22<br>-23<br>-24 | 10<br> | <del>Greiffaltstempel<br/>Pick up attachment and folder</del><br>Faltstempel<br>Folder Wird ersetzt durch S28<br>Replaced by S28 |
| S6             | 793 25193<br>793 25201 | 745-4-21<br>-22<br>-23<br>-24 | 10<br> | <del>Greiffaltstempel<br/>Pick up attachment and folder</del><br>Faltstempel<br>Folder Wird ersetzt durch S29<br>Replaced by S29 |

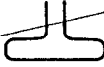






Einrichtungen der  
Equipment of

Kl. 745

Blatt 27

Page 27

| S-Nr.<br>S-No. | Teile-Nr.<br>Part-No.      | Unterklasse<br>Sub-class       | NA in mm<br>NA/mm   | Benennung und Beschreibung<br>Denomination and description   |
|----------------|----------------------------|--------------------------------|---|--|
| S7             | 793 25223<br><br>793 25231 | 745-4-21<br>-22<br>-23<br>-24  | 12<br>   | <del>Greiffaltstempel<br/>Pick-up attachment and folder</del><br><br>Faltstempel<br>Folder Wird ersetzt durch S30<br>Replaced by S30 |
| S8             | 793 25223<br><br>793 25245 | 745-4-21<br>-22<br>-23<br>-24  | 12<br>   | <del>Greiffaltstempel<br/>Pick-up attachment and folder</del><br><br>Faltstempel<br>Folder Wird ersetzt durch S31<br>Replaced by S31 |
| S9             | 793 25263<br><br>793 25267 | 745-4-21<br>-22<br>-23<br>-24  | 12<br> | <del>Greiffaltstempel<br/>Pick-up attachment and folder</del><br><br>Faltstempel<br>Folder Wird ersetzt durch S32<br>Replaced by S32 |
| S10            | 793 25273<br><br>793 25277 | 745-4-21<br>-22<br>-23<br>-24  | 12<br> | <del>Greiffaltstempel<br/>Pick-up attachment and folder</del><br><br>Faltstempel<br>Folder Wird ersetzt durch S33<br>Replaced by S33 |
| S12            | 793 24523<br><br>793 24531 | 745-5 -11<br>-12<br>-13<br>-14 | 10<br> | Greiffaltstempel<br>Pick up attachment and folder<br><br>Faltstempel<br>Folder   |











Einrichtungen der  
Equipment of

Kl. 745

Blatt 28

Page 28

| S-Nr.<br>S-No. | Teile-Nr.<br>Part-No. | Unterklasse<br>Sub-class                        | NA in mm<br>NA/mm   | Benennung und Beschreibung<br>Denomination and description |
|----------------|-----------------------|---|---|--|
| S13            | 793 25293             | 745-4 }<br>-5 }<br>-7 }<br>21<br>22<br>23<br>24 | 14<br>   | Greiffaltstempel<br>Pick up attachment and folder          |
|                | 793 25297             |   |   | Faltstempel<br>Folder                                      |
| S14            | 793 24543             | 745-5 }<br>-12 }<br>-13 }<br>14                 | 10<br>   | Greiffaltstempel<br>Pick up attachment and folder          |
|                | 793 25307             |   |   | Faltstempel<br>Folder                                      |
| S15            | 793 24553             | 745-5 }<br>-12 }<br>-13 }<br>14                 | 12<br> | Greiffaltstempel<br>Pick up attachment and folder          |
|                | 793 25367             |   |   | Faltstempel<br>Folder                                      |
| S16            | 793 25303             | 745-4 }<br>-5 }<br>-7 }<br>21<br>22<br>23<br>24 | 10<br> | Greiffaltstempel<br>Pick up attachment and folder          |
|                | 793 25307             |   |   | Faltstempel<br>Folder                                      |
| S17            | 793 25303             | 745-4 }<br>-5 }<br>-7 }<br>21<br>22<br>23<br>24 | 10<br> | Greiffaltstempel<br>Pick up attachment and folder          |
|                | 793 25317             |   |   | Faltstempel<br>Folder                                      |
| S18            | 793 25333             | 745-4 }<br>-5 }<br>-7 }<br>21<br>22<br>23<br>24 | 10<br> | Greiffaltstempel<br>Pick up attachment and folder          |
|                | 793 25337             |   |   | Faltstempel<br>Folder                                      |









Einrichtungen der  
Equipment of

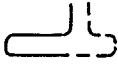





Kl. 745

Blatt 29

Page 29

| S-Nr.<br>S-No. | Teile-Nr.<br>Part-No. | Unterklasse<br>Sub-class                        | NA in mm<br>NA/mm   | Benennung und Beschreibung<br>Denomination and description |
|----------------|-----------------------|---|---|--|
| S19            | 793 25343             | 745-4 }<br>-5 }<br>-7 }<br>21<br>22<br>23<br>24 | 10<br>   | Greiffaltstempel<br>Pick up attachment and folder          |
|                | 793 24531             |   |   | Faltstempel<br>Folder                                      |
| S20            | 793 25363             | 745-4 }<br>-5 }<br>-7 }<br>21<br>22<br>23<br>24 | 12<br>   | Greiffaltstempel<br>Pick up attachment and folder          |
|                | 793 25367             |   |   | Faltstempel<br>Folder                                      |
| S21            | 793 25363             | 745-4 }<br>-5 }<br>-7 }<br>21<br>22<br>23<br>24 | 12<br> | Greiffaltstempel<br>Pick up attachment and folder          |
|                | 793 25377             |   |   | Faltstempel<br>Folder                                      |
| S22            | 793 25393             | 745-4 }<br>-5 }<br>-7 }<br>21<br>22<br>23<br>24 | 12<br> | Greiffaltstempel<br>Pick up attachment and folder          |
|                | 793 25397             |   |   | Faltstempel<br>Folder                                      |
| S23            | 793 25403             | 745-4 }<br>-5 }<br>-7 }<br>21<br>22<br>23<br>24 | 12<br> | Greiffaltstempel<br>Pick up attachment and folder          |
|                | 793 25407             |   |   | Faltstempel<br>Folder                                      |
| S24            | 793 25413             | 745-4 }<br>-5 }<br>-7 }<br>21<br>22<br>23<br>24 | 16<br> | Greiffaltstempel<br>Pick up attachment and folder          |
|                | 793 25417             |   |   | Faltstempel<br>Folder                                      |



| S-Nr.<br>S-No. | Teile-Nr.<br>Part-No. | Unterklasse<br>Sub-class                | NA in mm<br>NA/mm   | Benennung und Beschreibung<br>Denomination and description |
|----------------|-----------------------|---|---|--|
| S25            | 793 25433             | 745-4 } 21<br>-5 } 22<br>-23<br>-24     | 10<br>   | Greiffaltstempel<br>Pick up attachment and folder          |
|                | 793 25437             |   |   | Faltstempel<br>Folder                                      |
| S26            | 793 25453             | 745-4 } 21<br>-5 } 22<br>-7 } 23<br>-24 | 10<br>   | Greiffaltstempel<br>Pick up attachment and folder          |
|                | 793 25457             |   |   | Faltstempel<br>Folder                                      |
| S27            | 793 25453             | 745-4 } 21<br>-5 } 22<br>-7 } 23<br>-24 | 10<br> | Greiffaltstempel<br>Pick up attachment and folder          |
|                | 793 25467             |   |   | Faltstempel<br>Folder                                      |
| S28            | 793 25473             | 745-4 } 21<br>-5 } 22<br>-7 } 23<br>-24 | 10<br> | Greiffaltstempel<br>Pick up attachment and folder          |
|                | 793 25477             |   |   | Faltstempel<br>Folder                                      |
| S29            | 793 25483             | 745-4 } 21<br>-5 } 22<br>-7 } 23<br>-24 | 10<br> | Greiffaltstempel<br>Pick up attachment and folder          |
|                | 793 25487             |   |   | Faltstempel<br>Folder                                      |
| S30            | 793 25493             | 745-4 } 21<br>-5 } 22<br>-7 } 23<br>-24 | 12<br> | Greiffaltstempel<br>Pick up attachment and folder          |
|                | 793 25497             |   |   | Faltstempel<br>Folder                                      |









Einrichtungen der  
Equipment of







Kl. 745

Blatt 31

Page 31

| S-Nr<br>S-No. | Teile-Nr<br>Part-No    | Unterklasse<br>Sub-class               | NA in mm<br>NA/mm   | Benennung und Beschreibung<br>Denomination and description                     |
|---------------|------------------------|--|---|--|
| S31           | 793 25493<br>793 25507 | 745-4 } 21<br>-5 } 22<br>-7 } 23<br>24 | 12<br>   | Greiffaltstempel<br>Pick up attachment and folder<br><br>Faltstempel<br>Folder |
| S32           | 793 25513<br>793 25517 | 745-4 } 21<br>-5 } 22<br>-7 } 23<br>24 | 12<br>   | Greiffaltstempel<br>Pick up attachment and folder<br><br>Faltstempel<br>Folder |
| S33           | 793 25523<br>793 25527 | 745-4 } 21<br>-5 } 22<br>-7 } 23<br>24 | 12<br> | Greiffaltstempel<br>Pick up attachment and folder<br><br>Faltstempel<br>Folder |
| S34           | —<br>793 25532         | 745-7 } -21<br>22<br>23<br>24          | 12<br> | Greiffaltstempel<br>Pick up attachment and folder<br><br>Faltstempel<br>Folder |
| S35           | 793 25543<br>793 25547 | 745-4 } 21<br>-5 } 22<br>-7 } 23<br>24 | 20<br> | Greiffaltstempel<br>Pick up attachment and folder<br><br>Faltstempel<br>Folder |
| S36           | 793 25553<br>793 25557 | 745-4 } 21<br>-5 } 22<br>-7 } 23<br>24 | 14<br> | Greiffaltstempel<br>Pick up attachment and folder<br><br>Faltstempel<br>Folder |
|               |                        |  |   | Fortsetzung<br>Blatt: 32   |



| S-Nr.<br>S-No. | Teile-Nr.<br>Part-No. | Unterklasse<br>Sub-class                        | NA in mm<br>NA/mm   | Benennung und Beschreibung<br>Denomination and description |
|----------------|-----------------------|---|---|--|
| S37            | 793 25563             | 745-4 }<br>-5 }<br>-7 }<br>21<br>22<br>23<br>24 | 14<br>   | Greiffaltstempel<br>Pick up attachment and folder          |
|                | 793 25567             |   |   | Faltstempel<br>Folder                                      |
| S38            | 793 25573             | 745-4 }<br>-5 }<br>-7 }<br>21<br>22<br>23<br>24 | 16<br>   | Greiffaltstempel<br>Pick up attachment and folder          |
|                | 793 25577             |   |   | Faltstempel<br>Folder                                      |
| S39            | 793 25583             | 745-4 }<br>-5 }<br>-7 }<br>21<br>22<br>23<br>24 | 16<br> | Greiffaltstempel<br>Pick up attachment and folder          |
|                | 793 25587             |   |   | Faltstempel<br>Folder                                      |
| S40            | 793 25453             | 745-15-21<br>-22<br>-23<br>-24                  | 10<br> | Greiffaltstempel<br>Pick up attachment and folder          |
|                | 793 25593             |   |   | Faltstempel<br>Folder                                      |
| S41            | 793 25453             | 745-15-21<br>-22<br>-23<br>-24                  | 10<br> | Greiffaltstempel<br>Pick up attachment and folder          |
|                | 793 25613             |   |   | Faltstempel<br>Folder                                      |
| S42            | 793 25473             | 745-15-21<br>-22<br>-23<br>-24                  | 10<br> | Greiffaltstempel<br>Pick up attachment and folder          |
|                | 793 25623             |   |   | Faltstempel<br>Folder                                      |



Einrichtungen der  
Equipment of

Kl. 745

Blatt 33

Page 33

| S-Nr.<br>S-No. | Teile-Nr.<br>Part-No. | Unterklasse<br>Sub-class | NA in mm<br>NA/mm | Benennung und Beschreibung<br>Denomination and description |
|----------------|-----------------------|--------------------------|-------------------|--|
| S43            | 793 25483             | 745-15-21<br>-22<br>-23  | 10                | Greiffaltstempel<br>Pick up attachment and folder          |
|                | 793 25633             | -24                      |                   | Faltstempel<br>Folder                                      |
| S44            | 793 25493             | 745-15-21<br>-22<br>-23  | 12                | Greiffaltstempel<br>Pick up attachment and folder          |
|                | 793 25643             | -24                      |                   | Faltstempel<br>Folder                                      |
| S45            | 793 25493             | 745-15-21<br>-22<br>-23  | 12                | Greiffaltstempel<br>Pick up attachment and folder          |
|                | 793 25653             | -24                      |                   | Faltstempel<br>Folder                                      |
| S46            | 793 25513             | 745-15-21<br>-22<br>-23  | 12                | Greiffaltstempel<br>Pick up attachment and folder          |
|                | 793 25663             | -24                      |                   | Faltstempel<br>Folder                                      |
| S47            | 793 25523             | 745-15-21<br>-22<br>-23  | 12                | Greiffaltstempel<br>Pick up attachment and folder          |
|                | 793 25673             | -24                      |                   | Faltstempel<br>Folder                                      |
| S48            | 793 25293             | 745-15-21<br>-22<br>-23  | 14                | Greiffaltstempel<br>Pick up attachment and folder          |
|                | 793 25683             | -24                      |                   | Faltstempel<br>Folder                                      |









Einrichtungen der  
Equipment of

Kl. 745

Blatt 34

Page 34

| S-Nr.<br>S-No. | Teile-Nr.<br>Part-No. | Unterklasse<br>Sub-class | NA in mm<br>NA/mm   | Benennung und Beschreibung<br>Denomination and description |
|----------------|-----------------------|--------------------------|---|--|
| S49            | 793 25413             | 745-15-21<br>-22<br>-23  | 16  | Greiffaltstempel<br>Pick up attachment and folder          |
|                | 793 25693             | -24                      |    | Faltstempel<br>Folder                                      |
| S50            | 793 25543             | 745-15-21<br>-22<br>-23  | 20  | Greiffaltstempel<br>Pick up attachment and folder          |
|                | 793 25703             | -24                      |    | Faltstempel<br>Folder                                      |
| S51            | 793 25343             | 745-15-21<br>-22<br>-23  | 10  | Greiffaltstempel<br>Pick up attachment and folder          |
|                | 793 25723             | -24                      |  | Faltstempel<br>Folder                                      |
| S52            | 793 25403             | 745-15-21<br>-22<br>-23  | 12  | Greiffaltstempel<br>Pick up attachment and folder          |
|                | 793 25733             | -24                      |  | Faltstempel<br>Folder                                      |
| S53            | 793 25303             | 745-15-21<br>-22<br>-23  | 10  | Greiffaltstempel<br>Pick up attachment and folder          |
|                | 793 25743             | -24                      |  | Faltstempel<br>Folder                                      |
| S54            | 793 25363             | 745-15-21<br>-22<br>-23  | 12  | Greiffaltstempel<br>Pick up attachment and folder          |
|                | 793 25753             | -24                      |  | Faltstempel<br>Folder                                      |

Fortsetzung  
Blatt 35

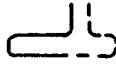


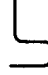




Einrichtungen der  
Equipment of

Kl. 745





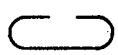

Blatt 35

Page 35

|     |                        |                                |   |  |
|-----|------------------------|--------------------------------|---|--|
| S55 | 793 25433<br>793 25763 | 745-15-21<br>-22<br>-23<br>-24 | 10<br>   | Greiffaltstempel<br>Pick up attachment and folder<br><br>Faltstempel<br>Folder |
| S56 | 793 25563<br>793 25793 | 745-15-21<br>-22<br>-23<br>-24 | 14<br>   | Greiffaltstempel<br>Pick up attachment and folder<br><br>Faltstempel<br>Folder |
| S57 | 793 25553<br>793 25803 | 745-15-21<br>-22<br>-23<br>-24 | 14<br>  | Greiffaltstempel<br>Pick up attachment and folder<br><br>Faltstempel<br>Folder |
| S58 | 793 25583<br>793 25813 | 745-15-21<br>-22<br>-23<br>-24 | 16<br> | Greiffaltstempel<br>Pick up attachment and folder<br><br>Faltstempel<br>Folder |
| S59 | 793 25573<br>793 25823 | 745-15-21<br>-22<br>-23<br>-24 | 16<br> | Greiffaltstempel<br>Pick up attachment and folder<br><br>Faltstempel<br>Folder |
| S60 | 793 25833<br>793 25837 | 745- 7-21<br>-22<br>-23<br>-24 | 20<br> | Greiffaltstempel<br>Pick up attachment and folder<br><br>Faltstempel<br>Folder |
|     |                        |                                |   | Fortsetzung<br>Blatt: 36   |





| S-Nr.<br>S-No. | Teile-Nr.<br>Part-No.  | Unterklasse<br>Sub-class                 | NA in mm<br>NA/mm   | Benennung und Beschreibung<br>Denomination and description                 |
|----------------|------------------------|--|---|--|
| S61            | 793 25843<br>793 25847 | 745-7-21<br>-22<br>-23<br>-24            | 20<br>   | Greiffaltstempel<br>Pick up attachment and folder<br>Faltstempel<br>Folder |
| S62            | 793 25853              | 745-2-11<br>-12<br>-13<br>-14            | 10<br>   | Faltstempel<br>Folder  |
| S63            | 793 25953              | 745-2-11<br>-12<br>-13<br>-14            | 12<br> | Faltstempel<br>Folder  |
| S64            | 793 25973              | 745-2-11<br>-12<br>-13<br>-14            | 14<br> | Faltstempel<br>Folder  |
| S65            | 793 25993              | 745-2-11<br>-12<br>-13<br>-14            | 12<br> | Faltstempel<br>Folder  |
| S66            | 793 27402<br>793 25457 | 745-5 } -21<br>745-7 } -22<br>-23<br>-24 | 10<br> | Greiffaltstempel<br>Pick up attachment and folder<br>Faltstempel<br>Folder |

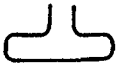


Einrichtungen der  
Equipment of

Kl. 745

Blatt 37

Page 37

| S-Nr.<br>S-No. | Teile-Nr.<br>Part-No. | Unterklasse<br>Sub-class   | NA in mm<br>NA/mm   | Benennung und Beschreibung<br>Denomination and description |
|----------------|-----------------------|----------------------------|---|--|
| S67            | 793 27406             | 745-5 } -21<br>745-7 } -22 | 10  | Greiffaltstempel<br>Pick up attachment and folder          |
|                | 793 25457             | -23<br>-24                 |  | Faltstempel<br>Folder                                      |
| S68            | 793 27402             | 745-15-21                  | "   | Greiffaltstempel<br>Pick up attachment and folder          |
|                | 793 25593             | -22<br>-23<br>-24          |   | Faltstempel<br>Folder                                      |
| S69            | 793 27406             | "                          | "   | Greiffaltstempel<br>Pick up attachment and folder          |
|                | 793 25593             |                            |   | Faltstempel<br>Folder                                      |
| S70            | 793 27402             | 745-5 } -21<br>745-7 } -22 | "   | Greiffaltstempel<br>Pick up attachment and folder          |
|                | 793 25467             | -23<br>-24                 |   | Faltstempel<br>Folder                                      |
| S71            | 793 27406             | "                          | "   | Greiffaltstempel<br>Pick up attachment and folder          |
|                | 793 25467             |                            |   | Faltstempel<br>Folder                                      |
| S72            | 793 27402             | 745-15-21                  | "   | Greiffaltstempel<br>Pick up attachment and folder          |
|                | 793 25613             | -22<br>-23<br>-24          |   | Faltstempel<br>Folder                                      |

Fortsetzung

Blatt 38

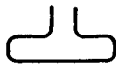



Einrichtungen der  
Equipment of

Kl. 745

Blatt 38

Page 38

| S-Nr.<br>S-No. | Teile-Nr.<br>Part-No. | Unterklasse<br>Sub-class  | NA in mm<br>NA/mm   | Benennung und Beschreibung<br>Denomination and description |
|----------------|-----------------------|---------------------------|---|--|
| S73            | 793 27406             | 745-15-21                 | 10  | Greiffaltstempel<br>Pick up attachment and folder          |
|                | 793 25613             | -22<br>-23<br>-24         |  | Faltstempel<br>Folder                                      |
| S74            | 793 27412             | 745-5 } -21               | 12  | Greiffaltstempel<br>Pick up attachment and folder          |
|                | 793 25497             | 745-7 } -22<br>-23<br>-24 |  | Faltstempel<br>Folder                                      |
| S75            | 793 27416             | "                         | "   | Greiffaltstempel<br>Pick up attachment and folder          |
|                | 793 25497             | "                         | "   | Faltstempel<br>Folder                                      |
| S76            | 793 27412             | 745-15-21                 | "   | Greiffaltstempel<br>Pick up attachment and folder          |
|                | 793 25643             | -22<br>-23<br>-24         | "   | Faltstempel<br>Folder                                      |
| S77            | 793 27416             | "                         | "   | Greiffaltstempel<br>Pick up attachment and folder          |
|                | 793 25643             | "                         | "   | Faltstempel<br>Folder                                      |
| S78            | 793 27412             | 745-5 } -21               | "   | Greiffaltstempel<br>Pick up attachment and folder          |
|                | 793 25507             | 745-7 } -22<br>-23<br>-24 | "   | Faltstempel<br>Folder                                      |






Einrichtungen der  
Equipment of

Kl. 745

Blatt 39

Page 39

| S-Nr.<br>S-No. | Teile-Nr.<br>Part-No.  | Unterklasse<br>Sub-class                 | NA in mm<br>NA/mm   | Benennung und Beschreibung<br>Denomination and description                 |
|----------------|------------------------|--|---|--|
| S79            | 793 27416<br>793 25507 | 745-5 } -21<br>745-7 } -22<br>-23<br>-24 | 12<br>   | Greiffaltstempel<br>Pick up attachment and folder<br>Faltstempel<br>Folder |
| S80            | 793 27412<br>793 25653 | 745-15-21<br>-22<br>-23<br>-24           | "   | Greiffaltstempel<br>Pick up attachment and folder<br>Faltstempel<br>Folder |
| S81            | 793 27416<br>793 25563 | "  | "   | Greiffaltstempel<br>Pick up attachment and folder<br>Faltstempel<br>Folder |
| S82            | 793 26213              | 745-2-11<br>-12<br>-13<br>-14            | 10<br> | Faltstempel<br>Folder  |
| S83            | 793 26223              | 745-2-11<br>-12<br>-13<br>-14            | 12<br> | Faltstempel<br>Folder  |
|                |                        |  |   | Greiffaltstempel<br>Pick up attachment and folder<br>Faltstempel<br>Folder |
|                |                        |  |   |  |



| Nr.<br>No. | Nahtabstand in mm<br>Seam distance mm | Unterklasse<br>Sub-class | Teile-Nr.<br>Part-No.  |                          |                             |  |  |   |   |
|------------|---------------------------------------|--------------------------|--|--------------------------|-----------------------------|--|--|---|---|
|            |                                       |                          | Einzwickmesser<br>Notching knife<br>je 4 mal<br>each 4 times | je 4 mal<br>each 4 times | Stichplatte<br>Throat plate | Nadelhalter, rechts<br>Needle clamp on the right | Nadelhalter, links<br>Needle clamp on the left | Messer vollst.<br>für Unterfäden<br>Knife compl.<br>for bobbin thread | Gegenmesser<br>für Unterfäden<br>Counter knife<br>for bobbin thread |
| N1         | 10                                    | 745-4<br>-5              | 792 7216   | 792 7216a                | 246 2701                    | 246 2001   | 246 2002                                       | 246 2401  | 246 2402  |
| N2         | 12                                    | 745-4<br>-5              | 792 7216   | 792 7216a                | 246 2716                    | 246 2015   | 246 2016                                       | 246 2408  | 246 2409  |
| N3         | 14                                    | 745-4<br>-5              | 792 7217   | 792 7217a                | 246 2731                    | 246 2021   | 246 2022                                       | 246 2411  | 246 2412  |
| N4         | 16                                    | 745-4<br>-5              | 792 7217   | 792 7217a                | 246 2735                    | 246 2031   | 246 2032                                       | 246 2414  | 246 2415  |
| N5         | 10                                    | 745-7                    | 792 7974   | 792 7973                 | 246 2701                    | 246 2001   | 246 2002                                       | 246 2401  | 246 2402  |
| N6         | 12                                    | 745-7                    | 746 997  | 746 997a                 | 246 2716                    | 246 2015   | 246 2016                                       | 246 2408  | 246 2409  |
| N7         | 14                                    | 745-7                    | 746 998  | 746 998a                 | 246 2731                    | 246 2021   | 246 2022                                       | 246 2411  | 246 2412  |
| N8         | 16                                    | 745-7                    | 746 998  | 746 998a                 | 246 2735                    | 246 2031   | 246 2032                                       | 246 2414  | 246 2415  |
| N9         | 10                                    | 745-15                   | 792 7216   | 792 7216a                | 935 101501                  | 246 2001   | 246 2002                                       | —   | —   |
| N10        | 12                                    | 745-15                   | 792 7216   | 792 7216a                | 935 101511                  | 246 2015   | 246 2016                                       | —   | —   |
| N11        | 14                                    | 745-15                   | 792 7217   | 792 7217a                | 935 101516                  | 246 2021   | 246 2022                                       | —   | —   |
| N12        | 16                                    | 745-15                   | 792 7217   | 792 7217a                | 935 101521                  | 246 2031   | 246 2032                                       | —   | —   |

| Messer für Oberfäden<br>Knife for needle threads | Fadenfänger<br>Thread interceptor | Druckstück<br>Thrust piece | Skalablech, rechts<br>Scale plate on the right | Skalablech, links<br>Scale plate on the left | Stoffgleitblech<br>Cloth rest plate | Messerhalter kpl.<br>je 2 mal<br>Knife clamp compl.<br>each 2 times | Führung (Lichtschranke)<br>Guide (Lightbarrier) |
|--|-----------------------------------|----------------------------|--|--|-------------------------------------|---|---|
| 246 594  | 246 595                           | 246 599                    | 792 5584                                       | 792 5583                                     | 792 7401                            | 792 7201  | 794 2452  |
| 246 2439   | 246 2432                          | 246 2440                   | 792 5586                                       | 792 5585                                     | 792 7408                            | 792 7211  | 794 2453  |
| 246 2439   | 246 2432                          | 246 2440                   | 792 5588                                       | 792 5587                                     | 792 7408                            | 792 7211  | 794 2454  |
| 246 2439   | 246 2433                          | 246 2440                   | 792 5590                                       | 792 5589                                     | 792 7411                            | 792 7195  | 794 2455  |
| 246 594  | 246 595                           | 246 599                    | 792 5584                                       | 792 5583                                     | 792 7401                            | 792 7671  | 794 2452  |
| 246 2439   | 246 2432                          | 246 2440                   | 792 5586                                       | 792 5585                                     | 792 7408                            | 792 7671  | 794 2453  |
| 246 2439   | 246 2432                          | 246 2440                   | 792 5588                                       | 792 5587                                     | 792 7408                            | 792 7671  | 794 2454  |
| 246 2439   | 246 2433                          | 246 2440                   | 792 5590                                       | 792 5589                                     | 792 7411                            | 792 7672  | 794 2455  |
| —  | —                                 | —                          | 792 5584                                       | 792 5583                                     | 792 7401                            | 792 7201  | 794 2452  |
| —  | —                                 | —                          | 792 5586                                       | 792 5585                                     | 792 7408                            | 792 7211  | 794 2453  |
| —  | —                                 | —                          | 792 5588                                       | 792 5587                                     | 792 7408                            | 792 7211  | 794 2454  |
| —  | —                                 | —                          | 792 5590                                       | 792 5589                                     | 792 7411                            | 792 7195  | 794 2455  |



Aufstellung über vorhandene Näheinrichtungen  
der KI,745  
List of available sewing equipment  
for 745

Blatt 41  
Page 41

| Nr.<br>No. | Nahtabstand in mm<br>Seam distance mm | Unterklasse<br>Sub-class | Teile-Nr.<br>Part-No.            |                          |                             |  |  |   |   |
|------------|---------------------------------------|--------------------------|----------------------------------|--------------------------|-----------------------------|--|--|---|---|
|            |                                       |                          | Einzwickmesser<br>Notching knife |                          | Stichplatte<br>Throat plate | Nadelhalter, rechts<br>Needle clamp on the right | Nadelhalter, links<br>Needle clamp on the left | Messer vollst.<br>für Unterfäden<br>Knife compl.<br>for bobbin thread | Gegenmesser<br>für Unterfäden<br>Counter knife<br>for bobbin thread |
|            |                                       |                          | je 4 mal<br>each 4 times         | je 4 mal<br>each 4 times |                             |  |  |   |   |
| N13        | 20                                    | 745-4<br>-5              | 792 7217                         | 792 7217a                | 246 2738                    | 246 2041   | 246 2042                                       | 246 2421  | 246 2422  |
| N14        | 20                                    | 745-7                    | 746 998                          | 746 998a                 | 246 2738                    | 246 2041   | 246 2042                                       | 246 2421  | 246 2422  |
| N15        | 20                                    | 745-15                   | 792 7217                         | 792 7217a                | 935 101526                  | 246 2041   | 246 2042                                       | —   | —   |
| N16        | 10                                    | 745-2                    | 792 7216                         | 792 7216a                | 246 2701                    | 246 2001   | 246 2002                                       | 246 2401  | 246 2402  |
| N17        | 12                                    | 745-2                    | 792 7216                         | 792 7216a                | 246 2716                    | 246 2015   | 246 2016                                       | 246 2408  | 246 2409  |
| N18        | 14                                    | 745-2                    | 792 7217                         | 792 7217a                | 246 2731                    | 246 2021   | 246 2022                                       | 246 2411  | 246 2412  |

| Messer für Oberfäden<br>Knife for needle threads | Fadenfänger<br>Thread interceptor | Druckstück<br>Thrust piece | Skalablech, rechts<br>Scale plate on the right | Skalablech, links<br>Scale plate on the left | Stoffgleitblech<br>Cloth rest plate | Messerhalter kpl.<br>je 2 mal<br>Knife clamp compl.<br>each 2 times | Führung (Lichtschranke)<br>Guide (Lightbarrier) |
|--|-----------------------------------|----------------------------|--|--|-------------------------------------|---|---|
| 246 2444   | 246 2434                          | 246 2445                   | 792 5594                                       | 792 5593                                     | 792 7414                            | 792 7197  | 794 2457  |
| 246 2444   | 246 2434                          | 246 2445                   | 792 5594                                       | 792 5593                                     | 792 7414                            | 792 7673  | 794 2457  |
| —  | —                                 | —                          | 792 5594                                       | 792 5593                                     | 792 7414                            | 792 7197  | 794 2457  |
| 246 594  | 246 595                           | 246 599                    | 792 5584                                       | 792 5583                                     | 792 7401                            | 792 7201  | —   |
| 246 2439   | 246 2432                          | 246 2440                   | 792 5586                                       | 792 5585                                     | 792 7408                            | 792 7211  | —   |
| 246 2439   | 246 2432                          | 246 2440                   | 792 5588                                       | 792 5587                                     | 792 7408                            | 792 7211  | —   |

Datum

Name

Fortsetzung  
Blatt: 42



| A-Nr.<br>A-No. | Teile-Nr.<br>Part-No. | Benennung und Beschreibung<br>Denomination and description  |
|----------------|-----------------------|---|
| A1             | 746 41471             | <del>Auflage für rechts- oder linksseitige Paspelaufnahme.<br/>Tascheneingriffe beidseitig paspeliert. Nählänge 180mm.<br/>Wird ersetzt durch A3<br/>Replaced by A3.<br/>Rest for picking up the piping on the right or on the left.<br/>Pocket openings piped on either side. Seam length 180mm.</del>   |
| A2             | 746 41481             | Auflage für rechts- oder linksseitige Paspelaufnahme.<br>Tascheneingriffe einseitig paspeliert. Nählänge 180mm.<br><br>Rest for picking up the piping on the right or on the left.<br>Pocket openings piped on one side. Seam length 180mm.   |
| A3             | 793 24001             | Auflage für rechts- od.linksseitige Paspelaufnahme. Taschenein-<br>griffe einseitig od.doppelseitig paspeliert. Nählänge 180 mm.<br><br>Rest for picking up the piping on the right or on the left. Pocket<br>openings piped on one side or on either side. Seam length 180 mm.   |
| A4             | 793 24051             | Auflage für rechts- od. linksseitige Paspelaufnahme. Taschenein-<br>griffe einseitig od. doppelseitig paspeliert. Nählänge 220mm.<br><br>Rest for picking up the piping on the right or on the left. Pocket<br>openings piped on one side or on either side. Seam length 220mm.   |
| A5             | 793 27721             | Auflage für rechts- oder linksseitige Paspelaufnahme. Taschen-<br>eingriffe doppelseitig paspeliert. Nählänge 180 mm.<br><u>Nur für Paspelstreifenschneideinrichtung.</u><br><br>Rest for picking up the piping on the right or on the left. Pocket<br>openings piped on either side. Seam length 180 mm.<br><u>Only for equipment for cutting up the piping.</u> |
|                |                       |   |
|                |                       | Fortsetzung<br>Blatt: 43  |



*Einrichtungen der  
Equipment of*

*Kl. 745*

*Blatt 43*

*Page 43*

| <i>P-Nr.<br/>P-No.</i> | <i>Teile-Nr.<br/>Part-No.</i> | <i>Unterklasse<br/>Sub-class</i>                      | <i>Beschreibung<br/>Description</i>   |
|------------------------|-------------------------------|---|---|
| <i>P1</i>              | <i>793 27801</i>              | <i>745-5 } -21<br/>-7 } -22<br/>-15 } -23<br/>-24</i> | <i>Für E-Nrn. mit Paspelstreifenschneideinrichtung<br/>E401-E499, E501-E599, E601-E699.<br/><br/>For E-Nos. with equipment for cutting up the<br/>piping E401-E499, E501-E599, E601-E699.</i> |
|                        |                               |   |   |
|                        |                               |   |   |
|                        |                               |   |   |
|                        |                               |   |   |
|                        |                               |   |   |
|                        |                               |   |   |
|                        |                               |   |   |
|                        |                               |   |   |
|                        |                               |   |   |

*Fortsetzung*



## Best.-Nr. Tafel

App.0053 51  
 App.0055 51  
 App.0056 51  
 App.1061 88  
 App.1069 88  
 App.1251 88  
 App.1261 88  
 App.20160 1,60,61,63,64,71,75  
 K067351470 86  
 K220004060 79  
 K993910648 86  
 K999202711 82  
 K999211013 86  
 K999240018 86  
 K999240303 86  
 MG040006 1,60,69,71  
 MG080007d 9,11,24,33,36,37,53,  
 54,55,56,57,58,60,61,  
 63,73,77,79,83,84  
 MG411255 60  
 MG411263 1,60  
 MG411305 60,75,77  
 MG411356 60  
 MG413041 50,64  
 MG413047 50  
 MG414259a 6,11  
 MG414571 42  
 MG414606 61  
 MG414620 72  
 MG414627 11  
 MG418414 62,72  
 MG418472 42  
 MG418473 42  
 MG430011 61  
 MG430012 1,61  
 MG430013 1,60  
 MG430014 1  
 MG430036 60  
 MG430062 1  
 MG430080 2  
 MG430082 2  
 MG430401 1  
 MG430402 1  
 MG430403 1,59,60,85  
 MG430404 1,59,60,85  
 MG430408 3,9,31,39,53,54,55,  
 56,57,58,60,61,74,84  
 MG430409 1,5,24,34,59,60,61,  
 64,68,70,77,85  
 MG432509 1  
 MG432510 1,3,59,85  
 MG432548 59,85  
 MG432599 1  
 MG432950a 19  
 MG432970 53,54,55,56,57,58,83,  
 84  
 MG436542 71,73  
 MG440160 2  
 MG501011 1  
 MG501151 1

## Best.-Nr. Tafel

MG501152 1  
 MG501153 1  
 MG501161 1  
 MG501162 1  
 MG501171 1  
 MG501181 1  
 MG501191 1  
 MG501221 1  
 MG501227 1  
 MG501239 1  
 MG501240 1  
 MG501242 1  
 MG501247 1  
 MG501261 1  
 MG501262 1  
 MG501271 1  
 MG501281 1  
 MG501283 1  
 MG501285 1  
 MG501288 1  
 MG501303 1  
 MG501308 1  
 MG501334 2  
 MG501335 2  
 MG501337 2  
 MG501338 2  
 MG501347 2  
 MG501351 1  
 MG501371 1  
 MG501379 1  
 MG501392 2  
 MG501393 2  
 MG501398 2  
 MG501403 2  
 MG501442 2  
 MG501444 2  
 MG501452 2  
 MG501491 1  
 MG501501 3  
 MG501602 40  
 MG501612 1  
 MG501621 40  
 MG501624 40  
 MG502521 1  
 MG502531 1  
 MG502551 1  
 MG502554 1  
 MG504558 1  
 MG504559 1  
 MG504563 1  
 MG504565 1  
 MG504567 1  
 NB002431 5  
 NB798042 25a  
 P1210010 6,7,9,10,11,71,86  
 P1210053 62  
 P1210059 8,11,34,41,62  
 P1210062 4  
 P1210110 1,3,26,27,28,74,81,  
 82

## Best.-Nr. Tafel

P1250015 73  
 P1250019 6,73  
 P1250047 4,68,70,77  
 TG130042 23,76  
 TG420099 60  
 Z1000344 59,85  
 Z10010249 30,42  
 Z10010435 44,46,47  
 Z10010436 47  
 Z10011226 43  
 Z10011255 44  
 Z10011259 43  
 Z10011260 43  
 Z1110013 73  
 Z1110021 73  
 Z1110034 73  
 Z1110037 73  
 Z1110157 3  
 Z1110162 4,36,61,67  
 Z1110807 41  
 Z1120102 60  
 Z1120105 60  
 Z1120109 60  
 Z1120110 60  
 Z1120114 60  
 Z1120121 60  
 Z1120125 60  
 Z1120127 60,61  
 Z1120129a 61  
 Z1120135 61  
 Z1120153 61  
 Z1120155 61  
 Z1120164 61  
 Z1120165k 60  
 Z1120167 61  
 Z1120171 61  
 Z1120204 61  
 Z1120205 61  
 Z1120211 61  
 Z1120224 60  
 Z1120235 79,80,86  
 Z1120243 61  
 Z1120246 61  
 Z1120249 61  
 Z1120271 61  
 Z1120278 61  
 Z1120284 60  
 Z1120291a 61  
 Z1120291k 61  
 Z1120292 61  
 Z1120295 61  
 Z1120381 61  
 Z1120382 61  
 Z1120390 2,61  
 Z1120392 60  
 Z1120401 61  
 Z1120407 61  
 Z1120441k 61  
 Z1120454 60  
 Z1120463 60

## Best.-Nr. Tafel

Z1120471 60  
 Z1120478 60  
 Z1120483 60  
 Z1120499 60  
 Z1120500 60  
 Z1120543 8  
 Z1120593 62  
 Z1120611 4,68,70  
 Z1120612 80  
 Z1120638 61  
 Z1120741 61  
 Z1120743 61  
 Z1121522 60  
 Z11210015 61  
 Z11210221 61  
 Z11210515 60  
 Z1121093 61  
 Z1121110 61  
 Z1121504a 60  
 Z11216122 61  
 Z11216130 61  
 Z11216133 61  
 Z11216136k 61  
 Z11216137 61  
 Z11216137a 61  
 Z11216140 61  
 Z11216141 61  
 Z11216142 61  
 Z11216144 61  
 Z11216147 61  
 Z11216152 61  
 Z11216156 61  
 Z1121661 61  
 Z1121739 30  
 Z1121935 6  
 Z1121937a 61  
 Z1121968 61  
 Z1122061 61  
 Z1122062 61  
 Z1122224 61  
 Z1129973 60  
 Z1129993 60  
 Z1129995 60  
 Z1129999 60  
 Z1130290 42  
 Z1160049 8,11,13,34,37,41,59,  
 62,67,68,70,74,77,80,  
 81,82,85  
 Z1160050 11,34,35,59,85  
 Z1160061 73  
 Z1180011 53,54,55,56,57,58,83,  
 84  
 Z1200362 68,69,70,71,72  
 Z1200712 41  
 Z1230205 77  
 Z1330103 36  
 Z15100241 23  
 Z15101047 82  
 Z1510241 76  
 Z1510291 46

## Best.-Nr. Tafel

Z1510296 47  
 Z1510313 45  
 Z1510318 46,47  
 00200008 4  
 00400079 35  
 02400275 13,18,24,32,34,36,37,  
 39,41,52,53,54,55,56,  
 57,58,59,62,63,67,68,  
 69,70,71,72,73,74,77,  
 79,80,83,84,85  
 02500357 3  
 052003608 60  
 05200369 51  
 08200424 77  
 11400202 35  
 14700203 24,74  
 20200704 4,5,12,14,15,16,17,  
 18,21,22,23,33,39,42,  
 53,54,55,56,57,58,60,  
 61,66,76,77,78,83,84,  
 88  
 20400128 61  
 20401038 32  
 21100024 38  
 21100025 13,38,63  
 21100027 2,24,38  
 21100031 38  
 21100063 77  
 21100083k 38  
 21100084k 38  
 21100085 33  
 21100089 33  
 21100100a 3,4,35,53,54,55,56,  
 57,58,83,84  
 21100108 31  
 21100109 9,10,12,31,63  
 21100141a 31  
 21100198 11  
 21100212 63  
 21100249 2  
 21100256 32,89  
 21100257 31  
 21100268 26,27,28  
 21100305a 31  
 21100305b 31  
 21100306a 31  
 21100306b 31  
 21100308k 31  
 21100309 31  
 21100331 32  
 21100351b 31  
 21100354 23,31,76,78  
 21100355 31  
 21100361 31  
 21100362 31  
 21100365 31  
 21100397 32  
 21100398 32  
 21100407 32  
 21100408 32

## Best.-Nr. Tafel

21100411a 32  
 21100414 32  
 21100416 32  
 21100464 35  
 21100482 35  
 21100496 36,70,76,78  
 21100499 31  
 21100518 35,76,78  
 21100520 35  
 21100549a 89  
 21100567 52  
 21100609 1,3,9,39,60  
 21100616 1,60,61  
 21100634 38  
 21100635 38  
 21100646a 38  
 21100699 51  
 21100700 51  
 21100801 31  
 21100806 38  
 21100921a 38  
 21100936 38  
 21101012 35  
 21101017 35  
 21101152 35  
 21101316 31  
 21103028 36  
 21103058 53,54,55,56,57,58,83,  
 84  
 21103186 36  
 21103324 81,82  
 21109672 63  
 21109963 63  
 21150202 10  
 21150214 35  
 21150346 9  
 21150397 86  
 21154075 12,13,22,33  
 21154215 76  
 21200047 33  
 21200113 24  
 21204743 31  
 21204744 31  
 21204745 31  
 21204841 6  
 21204882 4  
 21204909 29,37,67,86  
 21600042 31  
 21600046 14,15,16,17,18,19,20,  
 21,22,33,38  
 21600068 33,34  
 21600068a 31,32,38  
 21600120 26,27,28,32,35,39,73  
 21600123 11  
 21600152 14,15,16,17,21,22,  
 21600157 38  
 21600211 61  
 21600216 61  
 21600229 31  
 21600315 35

## Best.-Nr. Tafel

21600377 11  
 21600496 32  
 21600497 53,55,58,73,84,88  
 21600507 35  
 21600508 7,26,27,28,35  
 21600542 73  
 21600573 52  
 21600589 26,27,28  
 21600591 35  
 21600601 50  
 21600603k 35  
 21600656 4  
 21600658 33  
 21600660 25,33,34,59,85  
 21601146 33,38,63,71  
 21900321 33,38  
 21900353 10,19,23,26,27,28,29  
 36,42,67,86  
 21901013 24  
 21904240 12,72  
 21906367 19,78  
 22100583 28  
 22300092 34  
 22300237 9,24,38  
 22300245 74  
 22300448 31  
 22300646 37,61,63,69,71  
 22300648 9,10,31,35  
 22300652 63  
 22300676 12  
 22300700 7,31,36,38  
 22300723 4,52,53,55,58,82,84  
 22305047 35  
 23100454 23,24,76,78  
 23700202 26,27,28,39,66,81,82  
 23700624 23,32,36  
 23806530 4,6,12,13,36,53,54,  
 55,56,57,58,66,68,69,  
 70,71,77,83,84  
 23810073 35,58,84  
 23817029 79  
 23817117a 6  
 23817122 61  
 23817325 25a  
 24000088 35  
 24001027 39  
 24001129 50,64  
 24001285 62,72  
 24200595 36  
 24400362 35  
 24400381 35  
 24400388 35  
 24400396 35  
 24400398 35  
 24400399 35  
 24400400 35  
 24400401 35  
 24400403 35  
 24400404 35,79  
 24400413 35

## Best.-Nr. Tafel

24400414 35  
 24400415 35  
 24400416 35  
 24400518 31  
 24400522 31  
 24400677 38  
 24400681 38  
 24400682 38  
 24400684 38  
 24400685 38  
 24400696 38  
 24400698 38  
 24400700 4  
 24400701 38  
 24400705 38  
 24400707 38  
 24400724 38  
 24400771 38  
 24400772 38  
 24400773 38  
 24400776 38  
 24400778 38  
 24400784 38  
 24400791 38  
 24400795 38  
 24400796 38  
 24400802 38  
 24400803 38  
 24400808 38  
 24400831 38  
 24400834 38  
 24400836 38  
 24400968 38  
 24400970 38  
 24400992 38  
 24401022 38  
 24401023 38  
 24401024 38  
 24401026 38  
 24401027 38  
 24401028 38  
 24401029 38  
 24401037 38  
 24401038 38  
 24414159 79  
 24414546 63  
 24414619 9  
 24600017 31  
 24600051 32  
 24600068 31  
 24600097 32  
 24600122a 33,34  
 24600123k 33,34  
 24600128 33  
 24600129 33  
 24600130 12,13,33,34,37,77,79  
 24600135a 32  
 24600136 32  
 24600136a 32  
 24600139 33

## Best.-Nr. Tafel

24600140 33  
 24600141 33  
 24600146 32  
 24600151 32  
 24600151a 32  
 24600152 32  
 24600152a 32  
 24600167 32  
 24600169 32  
 24600174 32  
 24600176 32  
 24600188k 32  
 24600189 32  
 24600191 32  
 24600196 32  
 24600218 32  
 24600250 33  
 24600271 33  
 24600282 33  
 24600284 33  
 24600287 33  
 24600289 33  
 24600304 33  
 24600311 33  
 24600320 33,37  
 24600322a 33  
 24600341 36  
 24600348 14,15,16,17,21,26,27,  
 28,33,36,66,67,73,81,  
 82  
 24600359 36  
 24600360 4,36,77  
 24600369 36,41,66,73,86  
 24600372 36  
 24600410a 35  
 24600415 35  
 24600417a 35  
 24600419 36  
 24600423a 35  
 24600438 34,35  
 24600466 35  
 24600471 35  
 24600527a 36  
 24600537 36  
 24600546 36  
 24600549 36  
 24600586 36  
 24600587 36  
 24600591 36  
 24600593 36  
 24600594 36  
 24600596 36  
 24600599 36  
 24600610 31  
 24600614 31  
 24600621 31  
 24600623 31  
 24600687 38  
 24600690 38  
 24600821 38

## Best.-Nr. Tafel

21600589 27,28,29  
 21600591 36  
 21600601 48  
 21600603k 36  
 21600656 4  
 21600658 33  
 21600660 25,33,57,79  
 21601146 33,37,61,69  
 21900321 33,37  
 21900353 10,19,23,27,28,29,30,  
 33,40,65,80  
 21901013 24  
 21904240 70  
 21906367 19  
 22100583 29  
 22300092 37  
 22300237 9,24,37  
 22300245 72  
 22300448 32  
 22300646 35,59,61,67,69  
 22300648 9,10,32,36  
 22300652 61  
 22300700 7,32,33,37  
 22300723 4,50,51,53,56,76,78  
 22305047 36  
 23100454 23,24  
 23700202 27,28,29,37,64,75,76  
 23700624 23  
 23806530 4,6,33,51,52,53,54,  
 55,56,64,66,67,68,69,  
 74,77,78  
 23810073 36,56,78  
 23817117a 6  
 23817122 59  
 23817325 26  
 24000088 36  
 24001027 37  
 24001129 48,62  
 24001285 60,70  
 24400362 36  
 24400381 36  
 24400388 36  
 24400396 36  
 24400398 36  
 24400399 36  
 24400400 36  
 24400401 36  
 24400403 36  
 24400404 36  
 24400413 36  
 24400414 36  
 24400415 36  
 24400416 36  
 24400518 32  
 24400522 32  
 24400677 37  
 24400681 37  
 24400682 37  
 24400684 37  
 24400685 37

## Best.-Nr. Tafel

24400696 37  
 24400698 37  
 24400700 4  
 24400701 37  
 24400707 37  
 24400724 37  
 24400771 37  
 24400772 37  
 24400773 37  
 24400784 37  
 24400791 37  
 24400795 37  
 24400796 37  
 24400808 37  
 24400831 37  
 24400834 37  
 24400836 37  
 24400968 37  
 24400970 37  
 24400992 37  
 24401022 37  
 24401023 37  
 24401024 37  
 24401026 37  
 24401027 37  
 24401028 37  
 24401029 37  
 24401037 37  
 24401038 37  
 24414546 61  
 24414619 9  
 24600017 32  
 24600051 32  
 24600068a 32  
 24600097 32  
 24600122a 33  
 24600123k 33  
 24600130 33,35,74  
 24600135a 32  
 24600136 32  
 24600136a 32  
 24600146 32  
 24600153 32  
 24600153a 32  
 24600167 32  
 24600169 32  
 24600173 32  
 24600175 32  
 24600188k 32  
 24600189 32  
 24600191 32  
 24600196 32  
 24600218 32  
 24600271 33  
 24600282 33  
 24600284 33  
 24600287 33  
 24600289 33  
 24600304 33  
 24600311 33

## Best.-Nr. Tafel

24600320 33,35  
 24600322a 33  
 24600341 34  
 24600348 14,15,16,17,21,27,28,  
 29,33,34,64,65,71,75,  
 76  
 24600359 34  
 24600360 4,34,74  
 24600369 34,39,64,71,80  
 24600372 33  
 24600410a 36  
 24600415 36  
 24600417a 36  
 24600419 34  
 24600423a 36  
 24600438 33,36  
 24600466 36  
 24600471 36  
 24600527a 34  
 24600537 34  
 24600546 34  
 24600549 34  
 24600586 34  
 24600587 34  
 24600591 34  
 24600593 34  
 24600594 34  
 24600595 34  
 24600596 34  
 24600599 34  
 24600610 32  
 24600621 32  
 24600623 32  
 24600687 37  
 24600690 37  
 24600821 37  
 24600827 37  
 24600909b 37  
 24600922 37  
 24600923 37  
 24600927 37  
 24600930 37  
 24600931 37  
 24600937 37  
 24600941 37  
 24600942 37  
 24600945 37  
 24600946 37  
 24600951 37  
 24600955 37  
 24600959 37  
 24600968 4,25,35  
 24600983a 35  
 24600984 1,34,35  
 24600986 35  
 24600989 35  
 24601017 34  
 24601040 33  
 24601049 8,11,19,33,57,61,74,  
 79

## Best.-Nr. Tafel

24600827 38  
 24600909b 38  
 24600922 39  
 24600923 39  
 24600927 39  
 24600930 39  
 24600931 39  
 24600937 39  
 24600941 39  
 24600942 39  
 24600945 39  
 24600946 39  
 24600951 39  
 24600955 39  
 24600959 39  
 24600960 39  
 24600968 4,25,37  
 24600983a 37  
 24600984 1,34,37  
 24600986 37  
 24600989 37  
 24601011 33  
 24601017 34  
 24601023 33  
 24601035 33  
 24601037 33  
 24601040 33  
 24601041 33  
 24601047 33  
 24601048 33  
 24601049 8,11,19,33,36,59,63,  
 77,85  
 24601116 36  
 24601117 36  
 24601218 60  
 24602001 89  
 24602002 89  
 24602006 89  
 24602207 89  
 24602209 81,82,89  
 24602401 89  
 24602402 89  
 24602403 89  
 24602432 36  
 24602433 36  
 24602439 36  
 24602440 36  
 24602441 36  
 24602502 31  
 24602508 32  
 24602511 79  
 24602521 32  
 24602524 32  
 24602527 32  
 24602532 32  
 24602533 32  
 24602536 32  
 24602539 32  
 24602541 32  
 24602543 32

## Best.-Nr. Tafel

24602547 32  
 24602553 32  
 24602555 31  
 24602558 31  
 24602561 34  
 24602561a 34  
 24602566 7,12,15,16,17,18,19,  
 21,22,34,78,86  
 24602578 34  
 24602579 34  
 24602701 89  
 24602706 89  
 24602751 89  
 24602752 89  
 24602754 89  
 24602756 89  
 24602764 89  
 24603003 38  
 24603004 38  
 24603042 38  
 24603058 38,51  
 24603964 31  
 24603975 32  
 24603982 32  
 24603987 32  
 24604063 34  
 24604067 34  
 24604069 12,34  
 24604070 10,34  
 24604071 34  
 24604104 35  
 24604105 35  
 24604111 35  
 24604112 35  
 24604120 35  
 24604153 36  
 24604172 36  
 24604176 36  
 24604183 36  
 24604186 36  
 24604187 36  
 24604222 34  
 24604241 34  
 24604242 34  
 24604301 37  
 24604304 37  
 24604311 37  
 24900002 1  
 24900131 59,85  
 24900674 13  
 25202389 24,69,71  
 25202955 54,56  
 25500129 25,35,39,53,54,55,56,  
 57,58,63,83,84  
 25500356 60  
 26300761 40  
 26400762 35  
 26500138 36  
 26500289 3,60,69,71  
 26500407 35

## Best.-Nr. Tafel

26500565 4,5,68,69,70,71,77  
 26500704 32  
 26500749 38  
 26500753 38  
 26500887 38  
 26502100 36  
 26505253 35  
 26508554 69,71  
 26508566 36  
 26508878 7,32,39,86  
 26509746 73  
 26700248 31  
 26700482 35  
 26700483 35  
 26901023 61  
 27000263 88  
 27000631 32  
 27100043 86  
 27100125 15,16,17,18,21,22,81,82  
 27100169 14,15,16,17,21,22  
 27100189 14,15,16,17,18,21,22,  
 81,82  
 27100275 35  
 27100276 35  
 27100297 73,87  
 27100487 73  
 27101413 81,82  
 29100008 12  
 29100047 31  
 29100089 61  
 29100347 4  
 29100513 12  
 29100758 35  
 29102814 42,43  
 29201229 1  
 29400737 69,71  
 30803325 4  
 37600128 32  
 37600131 32  
 37600132 32  
 38000089 32  
 38000093 32  
 38000094 32  
 38000095 32  
 38000096 32  
 38000097 32  
 38000101 32  
 38000102 32  
 38000103 32  
 38000104 32  
 38000105 32  
 38000106 32  
 38000108 32  
 38000110 32  
 38000111 32  
 38000112 32  
 38000117 32  
 38000119 32  
 38000120k 32  
 38000121 32

## Best.-Nr. Tafel

38000122 32  
 38000237 71  
 38000289 26,27,28,81,82  
 38000793 89  
 42000013 31  
 42000036 38  
 42000084 9,33  
 42000324 26,27,28,39  
 42000328 33,59,85  
 42000362 12,25  
 42000368 52  
 42100222 32,38  
 42200297 31  
 53100460 14,15,16,17,18,19,  
 20,21,22,38  
 53100471 36,69,71  
 54100292 33  
 54101395 31,32  
 55100987 15,16,17,18,19,21,22,  
 36  
 55101246 26,27,28,81,82  
 55101802 35,66  
 55101824 47,59,73,85  
 55102537 67  
 55103338 48  
 55500685 51  
 55600263 24  
 55600351 63  
 55600362 9,11,24,33,40,53,54,  
 55,56,57,58,60,77,  
 79,83,84  
 55600379 79  
 55600387 5  
 55600645 33  
 55600669 36  
 55600815a 69,71  
 55600947 19,32,78,81,82  
 55601075 5,7,12,53,54,55,  
 56,57,58,83,84  
 55601099k 9,33  
 55601164 73  
 55601184 76,78  
 55601653 39  
 55601686 19,38,73  
 55601827 32  
 55602267 59,85  
 55602363 8,11  
 55602622 5  
 55603086 38  
 55603087 38  
 55603088 38  
 55607351 73  
 55613020 64  
 55613036 63  
 55613153 2  
 55614030 4,12,25,35,36,37  
 55614146 4,5,11  
 55614291 35,41,59,80,81,82,85  
 55614401 73  
 55615301 10

## Best.-Nr. Tafel

55615410 47,86  
 55700134 61  
 55700263 3,4,7,10,24,25,26,27,  
 28,29,34,37,38,39,40,  
 53,54,55,56,57,58,60,  
 64,67,69,71,73,77,79,  
 81,82,83,84,86  
 55700762 52  
 55700783 10  
 55701219 2  
 55701349 51  
 55701494a 1  
 55701842 24  
 55703512 11  
 55800060 43  
 55800081 26,27,28,77,81,82  
 55800090 5,15,18,26,27,28,29,  
 53,55,58,73,84,86  
 55800101 4,77  
 55800305 24  
 55800312 4,23,74,78  
 55800312a 4,64  
 55800579 30  
 55800631 68,70  
 55800769 23,76  
 55800786 25a  
 55800790 79  
 55800846 73  
 55800951 37  
 55801105 69,71  
 55801106 69,71  
 55801107 86  
 55801304 10,77  
 55801651 86  
 55801771 67,72,75  
 55806199 87  
 56613036 63  
 56700920 76,78  
 56900137 11  
 56901895 14,15,16,17,18,21,22,  
 23,26,27,28,32,36,37,  
 53,54,55,56,57,58,60,  
 61,64,66,73,77,79,81,  
 82,83,84,87,88  
 56901922 3,10,32,48,81,82  
 56902773 3,10,61  
 56902900 5  
 56903278 59,73,85  
 56904445 73  
 57000055 31  
 57000071a 81,82  
 57000117 12,33,73  
 57000118 36  
 57000138 24,34,53,54,55,56,57,  
 58,69,71,73,79,83,84  
 57000479 3  
 57000522 1,23,76,78  
 57000579 11  
 57000777 77  
 57000791 37,63,69,71

## Best.-Nr. Tafel

57000907 66  
 57000912 5,13,15,18,30,36,37,  
 53,54,55,56,57,58,66,  
 73,83,84,86  
 57000939a 1,53,54,55,56,57,58,  
 64,71,78,83,84,86,88  
 57000975 3,26,27,28,34  
 57001201 61  
 57001220 1,60  
 57001228 4,25,37  
 57001287 61,73  
 57001364 9  
 57001368 4  
 57001392 5,10,76,78,88  
 57001594 4,23,64,78  
 57001847 59,73,80,81,82,85  
 57002119 77  
 57002382 5,15,16,17,18,19,21,  
 22,69,71  
 57002383 61  
 65000292 31,38  
 65000336 72  
 65000347 31  
 65000353 1,61,63  
 65000371 74  
 70000016 25a  
 70000043 2  
 70000044 2  
 70000045 2  
 70000048 2  
 70000444 60,61,63,76,77,78  
 70002302 1  
 70002304 1  
 70005002 40  
 70005003 40  
 70005004 75  
 70005005 75  
 70005006 71  
 70005007 64  
 70005008 64  
 70005009 75  
 70200063 38  
 70200604 5,37  
 71300302 40  
 71300387 61  
 71800011 64  
 71800254 74  
 71802624 11  
 71810508 7  
 71811043 1,68,70,72  
 71811060 75  
 71812449 82  
 71812756 73  
 71812786 14,15,16,17,18,20,21,  
 22  
 71900010 66  
 71900124 59,61,63,68,69,70,71,  
 85  
 71900127 7,10,26,27,28,58,78,  
 79,81,82,84

## Best.-Nr. Tafel

24601116 33  
 24601117 33  
 24601218 58  
 24602001 83  
 24602002 83  
 24602006 83  
 24602207 83  
 24602209 75,76,83  
 24602401 83  
 24602402 83  
 24602403 83  
 24602432 34  
 24602439 34  
 24602502 32  
 24602508 32  
 24602521 32  
 24602524 32  
 24602527 32  
 24602532 32  
 24602533 32  
 24602536 32  
 24602539 32  
 24602541 32  
 24602543 32  
 24602547 32  
 24602553 32  
 24602555 32  
 24602558 32  
 24602561 34  
 24602561a 34  
 24602566 7,12,15,16,17,18,19,  
 21,22,34,80  
 24602578 34  
 24602579 34  
 24602701 83  
 24602706 83  
 24602751 83  
 24602752 83  
 24602754 83  
 24602756 83  
 24602764 83  
 24603003 37  
 24603004 37  
 24603042 37  
 24603058 37,49  
 24603964 32  
 24603966 32  
 24603975 32  
 24603982 32  
 24603987 32  
 24604063 34  
 24604067 34  
 24604069 34  
 24604070 10,34  
 24604071 34  
 24604104 36  
 24604105 36  
 24604111 36  
 24604112 36  
 24604120 36

## Best.-Nr. Tafel

24604153 33  
 24604172 33  
 24604176 33  
 24604178 33  
 24604183 33  
 24604186 33  
 24604187 33  
 24604222 34  
 24604241 34  
 24604242 34  
 24604301 35  
 24604304 35  
 24604311 35  
 24900002 1  
 24900131 57,79  
 25202389 24,67,69  
 25202955 52,54  
 25500129 25,36,37,51,52,53,54,  
 55,56,61,77,78  
 25500356 58  
 26300761 38  
 26400762 36  
 26500138 33  
 26500289 3,58,67,69  
 26500407 36  
 26500565 4,5,33,66,67,68,69,  
 74  
 26500704 32  
 26500753 37  
 26500887 37  
 26505253 36  
 26508554 67,69  
 26508566 33,34  
 26508878 7,32,37,80  
 26509746 71  
 26700248 32  
 26700482 36  
 26700483 36  
 26901023 59  
 27000263 82  
 27000631 32  
 27100043 80  
 27100125 15,16,17,18,21,22,75,  
 76  
 27100169 14,15,16,17,21,22  
 27100189 14,15,16,17,18,21,22,  
 75,76  
 27100275 36  
 27100276 36  
 27100297 71,81  
 27100487 71  
 27101413 75,76  
 29100008 12  
 29100047 32  
 29100089 59  
 29100347 4  
 29100758 36  
 29102814 40,41  
 29201229 1  
 29400737 67,69

## Best.-Nr. Tafel

30803325 4  
 37600128 32  
 37600131 32  
 37600132 32  
 38000108 32  
 38000110 32  
 38000111 32  
 38000112 32  
 38000117 32  
 38000119 32  
 38000120k 32  
 38000121 32  
 38000122 32  
 38000237 69  
 38000289 27,28,29,75,76  
 38000793 83  
 42000013 32  
 42000036 37  
 42000084 9,33  
 42000324 27,28,29,37  
 42000328 57,79  
 42000362 25  
 42000368 50  
 42100222 37  
 42200297 32  
 53100460 14,15,16,17,18,19,20,  
 21,22  
 53100471 34,67,69  
 54101395 32  
 55100987 15,16,17,18,19,21,22,  
 33  
 55101246 27,28,29,75,76  
 55101802 36,64  
 55101824 45,57,71,79  
 55102537 65  
 55103338 46  
 55500685 49  
 55600263 24  
 55600351 61  
 55600362 9,11,24,38,51,52,53,  
 54,55,56,58,74,77,78  
 55600387 5  
 55600645 33  
 55600669 34  
 55600815a 67,69  
 55600947 19,32,75,76  
 55601075 5,7,51,52,53,54,55,  
 56,77,78  
 55601099k 9,33  
 55601164 71  
 55601653 37  
 55601686 19,37,71  
 55601827 32  
 55602267 57,79  
 55602363 8,11  
 55602622 5  
 55603086 37  
 55603087 37  
 55603088 37  
 55607351 71

## Best.-Nr. Tafel

55613020 62  
 55613036 61  
 55613153 2  
 55614030 4,25,34,35,36  
 55614146 4,5,11  
 55614291 36,39,57,75,76,79  
 55614401 71  
 55615301 10  
 55615410 45,80  
 55700134 59  
 55700263 3,4,7,10,24,25,27,28,  
 29,30,34,35,37,38,51,  
 52,53,54,55,56,58,62,  
 65,67,69,71,74,75,76,  
 77,78,80  
 55700762 50  
 55700783 10  
 55701219 2  
 55701349 49  
 55701494a 1  
 55701842 24  
 55703512 11  
 55800060 41  
 55800081 27,28,29,74,75,76  
 55800090 5,15,18,27,28,29,30,  
 51,53,56,71,78,80  
 55800101 4,74  
 55800305 24  
 55800312 4,23,72  
 55800312a 4,62  
 55800579 31  
 55800631 66,68  
 55800769 23  
 55800786 26  
 55800846 71  
 55800950 35  
 55800951 35  
 55801105 67,69  
 55801106 67,69  
 55801107 80  
 55801304 10,74  
 55801651 80  
 55801771 65,70,73  
 55806199 81  
 56613036 61  
 56900137 11  
 56901895 14,15,16,17,18,21,22,  
 23,27,28,29,32,33,35,  
 51,52,53,54,55,56,58,  
 59,62,64,71,74,75,76,  
 77,78,81,82  
 56901922 3,10,32,34,46,75,76  
 56902773 3,10,59  
 56902900 5  
 56903278 57,71,79  
 56904445 71  
 57000055 32  
 57000071a 75,76  
 57000117 71  
 57000118 34

## Best.-Nr. Tafel

57000138 24,34,51,52,53,54,55,  
 56,67,69,71,77,78  
 57000479 3  
 57000522 1,23  
 57000579 11  
 57000777 74  
 57000791 35,61,67,69  
 57000907 64  
 57000912 5,13,15,18,31,34,35,  
 51,52,53,54,55,56,64,  
 71,77,78,80  
 57000939a 1,51,52,53,54,55,56,  
 62,69,77,78,80,82  
 57000975 3,27,28,29,34  
 57001201 59  
 57001220 1,58  
 57001228 4,25,35  
 57001287 59,71  
 57001364 9  
 57001368 4  
 57001392 5,10,82  
 57001594 4,23,62  
 57001847 57,71,75,76,79  
 57002119 74  
 57002382 5,15,16,17,18,19,21,  
 22,67,69  
 57002383 59  
 57093135 12  
 65000292 32,37  
 65000336 70  
 65000347 32  
 65000353 1,59,61  
 65000371 72  
 70000016 26  
 70000043 2  
 70000044 2  
 70000045 2  
 70000048 2  
 70000444 58,59,61,74  
 70002302 1  
 70002304 1  
 70005002 38  
 70005003 38  
 70005004 73  
 70005005 73  
 70005006 69  
 70005007 62  
 70005008 62  
 70005009 73  
 70200063 37  
 70200604 5,35  
 71300302 38  
 71300387 59  
 71800011 62  
 71800254 72  
 71802624 11  
 71810508 7  
 71811043 1,66,68,70  
 71811060 73  
 71812449 76

## Best.-Nr. Tafel

71812756 71  
 71812786 14,15,16,17,18,20,21,  
 22  
 71900010 64  
 71900124 57,59,61,66,67,68,69,  
 79  
 71900127 7,10,27,28,29,56,75,  
 76,78  
 72000041 61  
 72000042a 1,2,3,6,11,38,39,51,  
 52,53,54,55,56,58,59,  
 61,64,65,66,67,68,69,  
 70,73,74,78  
 72000043 1,2,3,23,38,39,58,59,  
 61,62,65,69,70,73,74  
 72000127 1,58,59  
 72000131 58  
 72000293 59  
 72000607 1,58,59,61  
 72200201 36  
 72200735 26  
 72201139 60  
 72500497 1  
 72500520b 1,25,51,52,53,54,55,  
 56,58,59,61,64,66,68,  
 78  
 73900076 33  
 73900085 82  
 73900163 1,62,73  
 73900253 48  
 73900297 37,40,57,79,82  
 73900298 10,40,41,45,82  
 73900305 44  
 73900311 45,46  
 73900347 36,37,58  
 73900595 1,5,11,13,26,38,61,  
 62,69,73  
 73900878 3,4,31,40,57,79  
 73901108 7,71  
 73901171a 30,80  
 73905012 34  
 73905024 18,20  
 73905105 9,50  
 73905347 71  
 74100481 2  
 74100481k 2  
 74100799 61  
 74102600 43  
 74200036 7  
 74200804 31,40  
 74201461 10  
 74201475 59  
 74201535 40  
 74201708 23  
 74201741 62  
 74201795 11  
 74202036 5,23  
 74202163 59  
 74202175 66,68  
 74202238 35,39,57,60,68,79



## Best.-Nr. Tafel

74202656 41  
 74202699 40  
 74203017 70  
 74203018 70  
 74203040 70  
 74203114 70  
 74203137 70  
 74203148 70  
 74203157 70  
 74203210 70  
 74203255 59  
 74203275 70  
 74205027 1  
 74205038 66,68  
 74205098 1,2,3,23,39,61,72  
 74205110 1,58  
 74205110a 1,58  
 74205374 25  
 74206195 39  
 74206318 60  
 74206320 60  
 74206431 6,11  
 74207331 70  
 74221459 74  
 74221503a 74  
 74221504 74  
 74221511a 74  
 74221514 74  
 74221574 4,31,40  
 74221623 35,57,65,72,74,79  
 74221996 24,51,52,53,54,55,56,  
 77,78  
 74223001 59  
 74240121 1  
 74240188 38  
 74240189 1  
 74240277 7,34,55,77  
 74240296 2  
 74240297 1,2  
 74240298 2  
 74240456 6  
 74240457 6  
 74240766 3  
 74240824 40  
 74241326 4  
 74241342 11  
 74241349 4,11  
 74241385 5  
 74241387 5  
 74241392 5  
 74241397 5  
 74241404 5  
 74241406 5  
 74241412 5  
 74241414 5  
 74241414a 5  
 74241415 5  
 74241415a 5  
 74241418 5  
 74241422 1,5

## Best.-Nr. Tafel

74241516 74  
 74241517 4,74  
 74241522 74  
 74241523 74  
 74241524 74  
 74241533 4,74  
 74241545 4,74  
 74241546 4,74  
 74241547 4  
 74241551 4,74  
 74241555 4,74  
 74241677 6  
 74241679 6  
 74241791 6  
 74241792 6,11  
 74241795 6,11  
 74241797 6,11  
 74241799 6,11  
 74241807 6,11  
 74242167 7,24,80  
 74242857 68  
 74242875 66  
 74242889 25  
 74243058 80  
 74244586 10  
 74255716 14,15,16,17,21,22  
 74320506 24  
 74400705 37  
 74401013 1,58,61  
 74401017 3,10,23,62  
 74401107 2  
 74401115 37,57,64,79  
 74401131 51,52,53,54,55,56,58,  
 59,66,68,70,78  
 74401155 23  
 74401176 66,68  
 74401236 7  
 74401304 25  
 74401318 38,62,69,73  
 74401339 25  
 74401426 4,9,61,62,69  
 74401492 58,59  
 74401509 4,7,10,11,13,26,32,  
 33,34,35,39,52,54,57,  
 65,66,68,71,72,74,79  
 74401559 35  
 74401658 11,23,24  
 74401694 23,51,52,53,54,55,56,  
 77,78  
 74401792a 39  
 74401793a 39  
 74401793b 39  
 74401796 39  
 74401816 39,60  
 74401819 35,60,63  
 74401820 35,60,63,66,68  
 74401922 39  
 74401968 5,7,12,15,16,17,18,  
 19,21,22,25,32,51,52,  
 53,54,55,56,62,64,77,  
 78

## Best.-Nr. Tafel

74401974 39  
 74402013 1  
 74402042 73  
 74402088 40  
 74402207 8,31,40  
 74402208 3  
 74402257 61,65  
 74402526 60  
 74402528 39,60  
 74403142 1,5,6,59  
 74403324 38,62,69,73  
 74403403 39  
 74403561 66,68  
 74403566 39  
 74403572 35,39,57,65,72,74,75,  
 76,79  
 74404571 41  
 74404572 41  
 74404574 41  
 74404744 40,41  
 74404872 40  
 74409491 39,60  
 74409516 39  
 74409779 63,66,68,75,76  
 74409780 63,66  
 74409801 39,63,75,76  
 74409802 39,63  
 74412497 43  
 74412609 43  
 74413136 43  
 74420507 10,12  
 74420512 10  
 74420518 10  
 74420520 10  
 74420566 9,10  
 74420576a 10  
 74420610 10  
 74420631 10  
 74420766 25  
 74420778 4,5,9,14,15,16,17,21,  
 22,23,24,32,33,35,71,  
 81  
 74420786 10  
 74420853 10  
 74420854 10  
 74420855 10  
 74420876 9  
 74420877 9  
 74421026 10,23,25,64  
 74421240 59  
 74422278 59  
 74422395 59  
 74422565 61,67,69  
 74423556 8,11,34,59,60  
 74423566 39,63  
 74423855 40  
 74423939 43  
 74423952 42  
 74424131 3  
 74424132 3

## Best.-Nr. Tafel

72000041 63  
 72000042a 1,2,3,6,11,40,41,53,  
 54,55,56,57,58,60,61,  
 63,66,67,68,69,70,71,  
 72,75,76,77,78,84  
 72000043 1,2,3,23,40,41,60,61,  
 63,64,67,71,72,75,76,  
 77,78  
 72000127 1,60,61  
 72000131 60  
 72000293 61  
 72000607 1,60,61,63  
 72200201 35  
 72200735 25a  
 72201139 62  
 72500497 1  
 72500520b 1,25,53,54,55,56,57,  
 58,60,61,63,66,68,  
 70,84  
 73900076 36  
 73900085 88  
 73900163 1,64,75  
 73900253 50  
 73900297 39,42,59,85,88  
 73900298 10,42,43,47,88  
 73900305 46  
 73900311 47,48  
 73900347 35,38,60  
 73900595 1,5,11,12,13,25a,40,  
 63,64,71,75  
 73900878 3,4,30,42,59,85  
 73901108 7,73  
 73901171a 29,86  
 73905012 36  
 73905024 18,20  
 73905105 9,52  
 73905347 73  
 74100481 2  
 74100481k 2  
 74100799 63  
 74102600 45  
 74200036 7  
 74200804 30,42  
 74201461 10  
 74201475 61  
 74201535 42  
 74201708 23,76,78  
 74201741 64  
 74201795 11  
 74202036 5,23,76,78  
 74202163 61  
 74202175 68,70  
 74202238 41,59,62,70,80,85  
 74202656 43  
 74202699 42  
 74203017 72  
 74203018 72  
 74203040 72  
 74203114 72  
 74203137 72

## Best.-Nr. Tafel

74203148 72  
 74203157 72  
 74203210 72  
 74203255 61  
 74203275 72  
 74205027 1  
 74205038 68,70  
 74205098 1,2,3,23,41,63,74,76  
 74205110 1,60  
 74205110a 1,60  
 74205374 25  
 74206195 41  
 74206318 62  
 74206320 62  
 74206431 6,11  
 74207331 72  
 74207340 76,78  
 74221459 77  
 74221503a 77  
 74221504 77  
 74221511a 77  
 74221514 77  
 74221574 4,30,42  
 74221623 13,37,59,67,74,77,85  
 74221996 24,53,54,55,56,57,58,  
 83,84  
 74223001 61  
 74240121 1  
 74240188 40  
 74240189 1  
 74240277 7,34,57,83  
 74240296 2  
 74240297 2  
 74240298 2  
 74240456 6  
 74240457 6  
 74240766 3  
 74240824 42  
 74241326 4  
 74241342 11  
 74241349 4,11  
 74241385 5  
 74241387 5  
 74241392 5  
 74241397 5  
 74241404 5  
 74241406 5  
 74241412 5  
 74241414 5  
 74241414a 5  
 74241415 5  
 74241415a 5  
 74241418 5  
 74241422 1,5  
 74241516 77  
 74241517 4,77  
 74241522 77  
 74241523 77  
 74241524 77  
 74241533 4,77

## Best.-Nr. Tafel

74241545 4,77  
 74241546 4,77  
 74241547 4  
 74241551 4,77  
 74241555 4,77  
 74241677 6  
 74241679 6  
 74241791 6  
 74241792 6,11  
 74241795 6,11  
 74241797 6,11  
 74241799 6,11  
 74241807 6,11  
 74242167 7,24,86  
 74242611 79  
 74242857 70  
 74242875 68  
 74242889 25  
 74243058 86  
 74244586 10  
 74255716 14,15,16,17,21,22  
 74320506 24  
 74401013 1,60,63  
 74401017 3,10,23,64,76  
 74401107 2  
 74401115 38,59,66,85  
 74401131 53,54,55,56,57,58,60,  
 61,68,70,72,84  
 74401155 23,76  
 74401176 68,70  
 74401236 7  
 74401304 25  
 74401318 40,64,71,75  
 74401339 25  
 74401426 4,9,63,64,71,79  
 74401492 60,61  
 74401509 4,7,10,11,12,13,25a,  
 32,34,36,37,41,54,56,  
 59,67,68,70,73,74,77,  
 80,85  
 74401559 12,37  
 74401658 11,23,24,76,78  
 74401694 23,53,54,55,56,57,58,  
 78,83,84  
 74401749 79  
 74401792a 41  
 74401793a 41  
 74401793b 41  
 74401796 41  
 74401816 41,62  
 74401819 62,65  
 74401820 62,65,68,70  
 74401922 41  
 74401968 5,7,12,15,16,17,18,  
 19,21,22,25,31,32,53,  
 54,55,56,57,58,64,66,  
 83,84  
 74401974 41  
 74402013 1  
 74402042 75

## Best.-Nr. Tafel

74402088 42  
 74402207 8,30,42  
 74402208 3  
 74402257 63,67  
 74402526 62  
 74402528 41,62  
 74403142 1,5,6,33,61  
 74403324 40,64,71,75  
 74403403 41  
 74403561 68,70  
 74403566 41  
 74403572 37,41,59,67,74,77,80,  
 81,82,85  
 74403572 85  
 74404571 43  
 74404572 43  
 74404574 43  
 74404744 42,43  
 74404872 42  
 74409491 41,62  
 74409516 41  
 74409779 65,68,70,81,82  
 74409780 65,68  
 74409801 41,65,81,82  
 74409802 41,65  
 74412497 45  
 74412609 45  
 74413136 45  
 74420507 10,13  
 74420512 10  
 74420518 10  
 74420520 10  
 74420566 9,10  
 74420576a 10  
 74420610 10  
 74420631 10  
 74420766 25  
 74420778 4,5,9,12,14,15,16,17,  
 21,22,23,24,31,33,34,  
 37,73,78,87  
 74420786 10  
 74420853 10  
 74420854 10  
 74420855 10  
 74420876 9  
 74420877 9  
 74421026 10,23,25,66  
 74421240 61  
 74422278 61  
 74422395 61  
 74422565 63,69,71  
 74423556 8,11,33,34,61,62  
 74423566 41,65  
 74423855 42  
 74423939 45  
 74423952 44  
 74424131 3  
 74424132 3  
 74424137 86  
 74424194 12,30

## Best.-Nr. Tafel

74424293 48  
 74424336 60  
 74424346 30,42  
 74424944 3  
 74428914 42  
 74428939 23  
 74441247 50  
 74441248 50  
 74441819 68,70  
 74450241 60  
 74450243 4,5,6,8,9,10,11,60,  
 68,69,70,71,73,77,78  
 74450244 4,5,9,12,25a,40,64,  
 69,71,75,77,78  
 74450299 43  
 74450300 43  
 74450537 47  
 74450538 48  
 74450542 48  
 74450685 40  
 74461117 45,46,47,48  
 74461147 45,46  
 74461153 44,45,46,47,48  
 74600056 1  
 74600265 2  
 74600272 2  
 74600320 73  
 74600356a 10  
 74600429 10  
 74600430 10  
 74600450 10,13,79  
 74600546 40  
 74600657a 6  
 74600658 6  
 74600659 6  
 74600731 7  
 74600732 7  
 74600737a 7  
 74600768 6,8,12,13,14,15,16,  
 17,18,21,22,34,35,36,  
 37,39,59,63,65,68,70,  
 73,77,80,81,82,85,89  
 74600822 23  
 74600826 13  
 74600829 24  
 74600846a 12  
 74600855 12  
 74600860 12  
 74600863a 12  
 74600864a 12  
 74600865a 12  
 74600875a 12  
 74600878 12  
 74600879 5,8,12,23,31,52,69,  
 71,77,81,82  
 74600889 12  
 74600891 12  
 74600893a 12  
 74600932 12  
 74600937 12

## Best.-Nr. Tafel

74600938 12  
 74600943 12  
 74600944 12  
 74600977 12  
 74601033 4,6,12,32,37,41,73  
 74601077 4,60,68,70  
 74601204 61  
 74601207 68,70  
 74601212 4,7,25,53,54,55,56,  
 57,58,62,66,72,83,84,  
 86  
 74601315 5,79  
 74601327 11  
 74601328 11  
 74601331 11  
 74601334 11  
 74601372b 52  
 74601375 78  
 74601416 1  
 74601416a 23,78  
 74601495 24  
 74601547 4,6,34,77  
 74601631 3  
 74601692 60  
 74601793 51  
 74601794 51  
 74601903 7  
 74602024 41  
 74602040 34  
 74602208 8,39  
 74602241 1  
 74602303 9  
 74602326 9  
 74602328 9  
 74602329 9  
 74602623 44,45,46,47  
 74602705 50  
 74602779 46  
 74603206 3  
 74603213 3  
 74603215 3  
 74603216 3  
 74603217 3  
 74603221 3  
 74603241 3  
 74603249 3  
 74603259 3,4  
 74603265 19  
 74605018 42  
 74605020 42  
 74605425 88  
 74605506 88  
 74610598 60  
 74610608 60,63  
 74610631k 60  
 74610636 60  
 74610637 60  
 74610651 60  
 74610658 60  
 74610661 60

## Best.-Nr. Tafel

74424137 80  
 74424194 31  
 74424293 46  
 74424336 58  
 74424346 31,40  
 74424944 3  
 74428914 40  
 74428939 23  
 74441247 48  
 74441248 48  
 74441819 66,68  
 74450241 58  
 74450243 4,5,6,8,9,10,11,58,  
 66,67,68,69,71,74  
 74450244 4,5,9,26,38,62,67,69,  
 73,74  
 74450299 41  
 74450300 41  
 74450537 45  
 74450538 46  
 74450542 46  
 74450685 38  
 74461117 43,44,45,46  
 74461147 43,44  
 74461153 42,43,44,45,46  
 74600056 1  
 74600265 2  
 74600272 2  
 74600320 71  
 74600356a 10  
 74600429 10  
 74600430 10  
 74600450 10  
 74600546 38  
 74600657a 6  
 74600658 6  
 74600659 6  
 74600731 7  
 74600732 7  
 74600737a 7  
 74600768 6,8,14,15,16,17,18,  
 21,22,33,34,35,36,37,  
 39,57,61,63,66,68,71,  
 74,75,76,79,83  
 74600822 23  
 74600826 12  
 74600829 24  
 74600840 12  
 74600855 12  
 74600863a 12  
 74600864a 12  
 74600865a 12  
 74600879 5,8,23,32,50,67,69,  
 74,75,76  
 74600893a 12  
 74600981 13  
 74601033 4,6,32,35,39,71  
 74601077 4,58,66,68  
 74601204 59  
 74601207 66,68

## Best.-Nr. Tafel

74601212 4,7,25,51,52,53,54,  
 55,56,60,64,70,77,78,  
 80  
 74601315 5  
 74601327 11  
 74601328 11  
 74601331 11  
 74601334 11  
 74601372b 50  
 74601416 1  
 74601416a 23  
 74601495 24  
 74601547 4,6,34,74  
 74601631 3  
 74601692 58  
 74601793 49  
 74601794 49  
 74601903 7  
 74602024 39  
 74602040 33  
 74602208 8,37  
 74602241 1  
 74602303 9  
 74602326 9  
 74602328 9  
 74602329 9  
 74602623 42,43,44,45  
 74602705 48  
 74602779 44  
 74603206 3  
 74603213 3  
 74603215 3  
 74603216 3  
 74603217 3  
 74603221 3  
 74603241 3  
 74603249 3  
 74603259 3,4  
 74603265 19  
 74605018 40  
 74605020 40  
 74605425 82  
 74605506 82  
 74610598 58  
 74610608 58,61  
 74610631k 58  
 74610636 58  
 74610637 58  
 74610651 58  
 74610658 58  
 74610661 58  
 74610921 57,79  
 74610922 57,79  
 74611017 22  
 74611053 73  
 74611055 70  
 74611056 73  
 74611056a 73  
 74611057 73  
 74611214 75,76

## Best.-Nr. Tafel

74611277 23  
 74611287 64  
 74611295 64  
 74611327 65  
 74611331 65  
 74611448 6  
 74611551 40  
 74611858 23  
 74612147 71  
 74612158 71  
 74612165 71  
 74612897 34  
 74640006 14,15,16,17,18,19,20  
 74640014 14,15,16,17,21,22  
 74640017 14,15,16,17,21,22  
 74640021 14,15,16,17,21,22  
 74640023 16  
 74640024 14  
 74640027 15,16,17,18,19,21,22  
 74640061 21  
 74640062 21  
 74640063 21  
 74640066 21,22  
 74640067 21,22  
 74640074 15,16,17,18,21,22,51,  
 52,53,54,55,56,77,78  
 74640075 16  
 74640091 15,16,17,18,19,21,22  
 74640098 15,16,17,18,19,21,22  
 74640100 15,16,17,18,19,21,22,  
 51,52,53,54,55,56,77,  
 78,80,82  
 74640118a 14,15,16,17,18,19,20,  
 21,22  
 74640119 15,16,17,18,19,21,22  
 74640164 14  
 74640201 22  
 74640202 22  
 74640203 22  
 74640221 16,19,21  
 74640222 19  
 74640310 17  
 74640323 15,17  
 74640325 15,17,18,22  
 74640338 15,18,51,53,56,78  
 74640351 18,20  
 74640353 18  
 74640354 18  
 74640376 7  
 74640378 7,24,57,75,76,79,80  
 74640379 7,14,15,16,17,18,21,  
 22,27,28,29,57,75,76,  
 79,80  
 74640398 21,22  
 74640401 21  
 74640412 19  
 74640419 19,21,22  
 74640446 22  
 74640505 19  
 74640509 19

## Best.-Nr. Tafel

74610921 59,85  
 74610922 59,85  
 74611017 22  
 74611053 75  
 74611055 72  
 74611056 75  
 74611056a 75  
 74611057 75  
 74611214 81,82  
 74611277 23,76,78  
 74611287 66  
 74611295 66  
 74611327 67  
 74611331 67  
 74611448 6  
 74611551 42  
 74611858 23  
 74612147 73  
 74612158 73  
 74612165 73  
 74612897 34  
 74640006 14,15,16,17,18,19,20  
 74640014 14,15,16,17,21,22  
 74640017 14,15,16,17,21,22  
 74640021 14,15,16,17,21,22  
 74640023 16  
 74640024 14  
 74640027 15,16,17,18,19,21,22  
 74640039 37  
 74640061 21  
 74640062 21  
 74640063 21  
 74640066 21,22  
 74640067 21,22  
 74640074 15,16,17,18,21,22,53,  
 54,55,56,57,58,83,84  
 74640075 16  
 74640091 15,16,17,18,19,21,22  
 74640098 15,16,17,18,19,21,22  
 74640100 15,16,17,18,19,21,22,  
 53,54,55,56,57,58,83,  
 84,86,88  
 74640118a 14,15,16,17,18,19,20,  
 21,22  
 74640119 15,16,17,18,19,21,22  
 74640164 14  
 74640201 22  
 74640202 22  
 74640203 22  
 74640221 16,19,21  
 74640222 19  
 74640310 17  
 74640323 15,17  
 74640325 15,17,18,22  
 74640338 15,18,53,55,58,84  
 74640351 18,20  
 74640353 18  
 74640354 18  
 74640376 7  
 74640378 7,24,59,81,82,85,86

## Best.-Nr. Tafel

74640379 7,14,15,16,17,18,21,  
 22,26,27,28,59,79,80,  
 81,82,85,86  
 74640398 21,22  
 74640401 21  
 74640412 19  
 74640419 19,21,22  
 74640446 22  
 74640505 19  
 74640509 19  
 74640511 19,78  
 74640513 19  
 74640523 19,78  
 74640527 19,78  
 74640528 19  
 74640530 19  
 74640645 15,16,17,18  
 74641406a 52  
 74650495 37  
 74650517 26,27,28,66,81,82  
 74650555 26,27,28,73  
 74650562 26,27,28,81,82  
 74650563 26,27,28,81,82  
 74650636 29,86  
 74650985 26,27,28,81,82  
 74650989 26,27,28  
 74660651 23,78  
 74660687 51  
 74660691 89  
 74660692 89  
 74660733 3  
 74660743 3  
 74660807 23,76  
 74660819 23  
 74660848 24  
 74660874 23  
 74660974 61  
 74660975 61  
 74661456 77  
 74680011 66  
 74680153 53,55  
 74680162 53,55  
 74680166 53,54,55,56,57,58,83,  
 84  
 74680173 53,54,55,56,57,58,83,  
 84  
 74680186 53,55  
 74680190 53,54,55,56,57,58,83,  
 84  
 74680201 53  
 74680202k 53  
 74680206 53,54,55,56,57,58,83,  
 84  
 74680211 24,53,55  
 74680212 53,54,55,56,57,58,83,  
 84  
 74680216 53,55,58,84  
 74680222 53,54,55,56  
 74680231 53,54,57,83  
 74680232 53,54,58,84

## Best.-Nr. Tafel

74680233 53,54,55,56,57,58,83,  
 84,86,88  
 74680235 53,54,55,56,57,58,83,  
 84,86  
 74680236 53,54,55,56,57,58,83,  
 84,86  
 74680251 59,85  
 74680252 59,85  
 74680256 59,85  
 74680273 59,85  
 74680281 53,55,58,84  
 74680283 53,55,58,84  
 74680287 53,55,58,84  
 74680303 54,56  
 74680310 54,56  
 74680311 54,56  
 74680315 54,57,83  
 74680316a 54,57,83  
 74680317 54,56,57,58,84  
 74680321 54,56,57,58,83,84  
 74680323 54,56  
 74680326 54,56  
 74680916 63  
 74690308 26,27,28  
 74690312 2,26,27,28,81,82  
 74690365 26,27,28  
 74690366 26,27,28,81,82  
 74690393a 29  
 74690401 29  
 74690406 29,86  
 74690421 29  
 74690422 86  
 74690455 29  
 74800294 24  
 79101081 51  
 79101085 51  
 79101086 51  
 79101091 51  
 79101093a 51  
 79101094 51  
 79101095 51  
 79101096 51  
 79200857 17  
 79205014 4  
 79205021 4  
 79205022 4  
 79205041 4  
 79205045 4  
 79205049 4  
 79205051 4  
 79205054 4  
 79205056 4  
 79205061 4  
 79205066 4  
 79205068 4  
 79205073 4  
 79205081 4  
 79205085 4  
 79205091 4  
 79205101 4

## Best.-Nr. Tafel

74640511 19  
 74640513 19  
 74640523 19  
 74640527 19  
 74640528 19  
 74640530 19  
 74640645 15,16,17,18  
 74641406a 50  
 74650495 35  
 74650517 27,28,29,64,75,76  
 74650555 27,28,29,71  
 74650562 27,28,29,75,76  
 74650563 27,28,29,75,76  
 74650636 30,80  
 74650985 27,28,29,75,76  
 74650989 27,28,29  
 74660651 23  
 74660668 12  
 74660687 49  
 74660691 83  
 74660692 83  
 74660733 3  
 74660743 3  
 74660807 23  
 74660819 23  
 74660848 24  
 74660874 23  
 74660974 59  
 74660975 59  
 74661456 74  
 74680011 64  
 74680153 51,53  
 74680162 51,53  
 74680166 51,52,53,54,55,56,77,  
78  
 74680173 51,52,53,54,55,56,77,  
78  
 74680186 51,53  
 74680190 51,52,53,54,55,56,77,  
78  
 74680201 51  
 74680202k 51  
 74680206 51,52,53,54,55,56,77,  
78  
 74680211 24,51,53  
 74680212 51,52,53,54,55,56,77,  
78  
 74680216 51,53,56,78  
 74680222 51,52,53,54  
 74680231 51,52,55,77  
 74680232 51,52,56,78  
 74680233 51,52,53,54,55,56,77,  
78,80,82  
 74680235 51,52,53,54,55,56,77,  
78,80  
 74680236 51,52,53,54,55,56,77,  
78,80  
 74680251 57,79  
 74680252 57,79  
 74680256 57,79

## Best.-Nr. Tafel

74680273 57,79  
 74680281 51,53,56,78  
 74680283 51,53,56,78  
 74680287 51,53,56,78  
 74680303 52,54  
 74680310 52,54  
 74680311 52,54  
 74680315 52,55,77  
 74680316a 52,55,77  
 74680317 52,54,55,56,78  
 74680321 52,54,55,56,77,78  
 74680323 52,54  
 74680326 52,54  
 74680916 61  
 74690308 27,28,29  
 74690312 2,27,28,29,75,76  
 74690365 27,28,29  
 74690366 27,28,29,75,76  
 74690393a 30  
 74690401 30  
 74690406 30,80  
 74690421 30  
 74690422 80  
 74690455 30  
 74800294 24  
 79101081 49  
 79101085 49  
 79101086 49  
 79101091 49  
 79101093a 49  
 79101094 49  
 79101095 49  
 79101096 49  
 79200857 17  
 79205014 4  
 79205021 4  
 79205022 4  
 79205041 4  
 79205045 4  
 79205049 4  
 79205051 4  
 79205054 4  
 79205056 4  
 79205061 4  
 79205066 4  
 79205068 4  
 79205073 4  
 79205081 4  
 79205085 4  
 79205091 4  
 79205101 4  
 79205102 4  
 79205103 4  
 79205107 4  
 79205111 4  
 79205121 4  
 79205123 4  
 79205127 4  
 79205128 4  
 79205141 5

## Best.-Nr. Tafel

79205150 5  
 79205153 5  
 79205161 5  
 79205165 5  
 79205191 31  
 79205196 31  
 79205271 4  
 79205273 4  
 79205305 4  
 79205335 4  
 79205393 6  
 79205394 6  
 79205397 6  
 79205399 6  
 79205421 6  
 79205446 11,13  
 79205473 6  
 79205475 6  
 79205481 6  
 79205494 6  
 79205511 6  
 79205541 7  
 79205542 7  
 79205543 7  
 79205562 7  
 79205571 7  
 79205573 7  
 79205581 7  
 79205582 7  
 79205583 7  
 79205584 7  
 79205585 7  
 79205586 7  
 79205587 7  
 79205588 7  
 79205589 7  
 79205590 7  
 79205593 7  
 79205594 7  
 79205595 7  
 79205596 7  
 79205601 7  
 79205622 8  
 79205641 8  
 79205649 8  
 79205671 8  
 79205701 5  
 79205703 5  
 79205706 5  
 79205714 5  
 79205717 5  
 79205720 5  
 79205721 5  
 79205724 5  
 79205729 5  
 79205731 4  
 79205752 4  
 79205757 4  
 79205761 4  
 79205762 4

## Best.-Nr. Tafel

79205102 4  
 79205103 4  
 79205107 4  
 79205111 4  
 79205121 4  
 79205123 4  
 79205127 4  
 79205128 4  
 79205141 5  
 79205150 5  
 79205153 5  
 79205161 5  
 79205165 5  
 79205191 30  
 79205196 30  
 79205271 4  
 79205273 4  
 79205305 4  
 79205335 4  
 79205393 6  
 79205394 6  
 79205397 6  
 79205399 6  
 79205421 6  
 79205446 11  
 79205473 6  
 79205475 6  
 79205481 6  
 79205494 6  
 79205511 6  
 79205541 7  
 79205542 7  
 79205543 7  
 79205562 7  
 79205571 7  
 79205573 7  
 79205581 7  
 79205582 7  
 79205583 7  
 79205584 7  
 79205585 7  
 79205586 7  
 79205587 7  
 79205588 7  
 79205589 7  
 79205590 7  
 79205593 7  
 79205594 7  
 79205595 7  
 79205596 7  
 79205601 7  
 79205622 8  
 79205641 8  
 79205649 8  
 79205671 8  
 79205701 5  
 79205703 5  
 79205706 5  
 79205714 5  
 79205717 5

## Best.-Nr. Tafel

79205720 5  
 79205721 5  
 79205724 5  
 79205729 5  
 79205731 4  
 79205752 4  
 79205757 4  
 79205761 4  
 79205762 4  
 79205766 4  
 79205767 37  
 79205781 4  
 79205782 4  
 79205922 5  
 79205923 5  
 79205941 7  
 79205944 7, 78, 86  
 79205951 7, 86  
 79205954 7, 86  
 79205958 7, 86  
 79205961 7, 86  
 79205963 7, 86  
 79205965 7, 86  
 79205966 7, 86  
 79206001 9  
 79206005 10  
 79206006 9  
 79206015 9  
 79206019 9  
 79206021 9  
 79206031 9  
 79206041 9  
 79206056 9  
 79206058 4, 9  
 79206069 9  
 79206081 9  
 79206088 9  
 79206094 9  
 79206099 9  
 79206100 9  
 79206104 9  
 79206131 9  
 79206146 9  
 79206148 4  
 79206151 9  
 79206153 9  
 79206159 9  
 79206163 18  
 79206171 10  
 79206182 10  
 79206187 10  
 79206193a 10  
 79206201 10  
 79206211 10  
 79206212 10  
 79206218 10  
 79206222 10  
 79206231 10  
 79206241 10  
 79206246 10

## Best.-Nr. Tafel

79206251 10  
 79206262 10  
 79206268 10  
 79206272 10  
 79206274 10  
 79206292 10  
 79206295 10  
 79206672 12  
 79207036 11  
 79207121 12  
 79207161 12, 13  
 79207165 12, 13  
 79207167 13  
 79207169 12, 13  
 79207222 11  
 79207227 11  
 79207228 11  
 79207230 11  
 79207234 6  
 79207234a 11, 54, 56  
 79207238 11  
 79207258 11  
 79207261 11  
 79207275 13  
 79207301 11  
 79207302 11  
 79207303 11  
 79207306 11  
 79207401 40  
 79207408 40  
 79207411 40  
 79207414 40  
 79207505 12  
 79207507 13  
 79207513 12  
 79207515 13  
 79207541 12  
 79207542 13  
 79207571 12  
 79207589 12  
 79207621 13  
 79207625 12  
 79207628 13  
 79207641 12  
 79207661 12  
 79207671 12  
 79207683 12  
 79207684 12  
 79207685 12  
 79207686 12  
 79207692 12  
 79207693 12  
 79207695 12  
 79207696 12  
 79207701 12  
 79207731 12  
 79207738 12  
 79207741 13  
 79207742 12  
 79207761 12

## Best.-Nr. Tafel

79205766 4  
 79205767 35  
 79205781 4  
 79205782 4  
 79205922 5  
 79205923 5  
 79205941 7  
 79205944 7,80  
 79205951 7,80  
 79205954 7,80  
 79205958 7,80  
 79205961 7,80  
 79205963 7,80  
 79205965 7,80  
 79205966 7,80  
 79206001 9  
 79206005 10  
 79206006 9  
 79206015 9  
 79206019 9  
 79206021 9  
 79206031 9  
 79206041 9  
 79206056 9  
 79206058 4,9  
 79206069 9  
 79206081 9  
 79206088 9  
 79206094 9  
 79206099 9  
 79206100 9  
 79206104 9  
 79206131 9  
 79206146 9  
 79206148 4  
 79206151 9  
 79206153 9  
 79206159 9  
 79206163 18  
 79206171 10  
 79206182 10  
 79206187 10  
 79206193a 10  
 79206201 10  
 79206211 10  
 79206212 10  
 79206218 10  
 79206222 10  
 79206231 10  
 79206241 10  
 79206246 10  
 79206251 10  
 79206262 10  
 79206268 10  
 79206272 10  
 79206274 10  
 79206292 10  
 79206295 10  
 79207036 11  
 79207091 12

## Best.-Nr. Tafel

79207092 12  
 79207093 12  
 79207094 12  
 79207111 12  
 79207121 12  
 79207128 12  
 79207161 13  
 79207165 13  
 79207169 13  
 79207177 13  
 79207178 13  
 79207191 13  
 79207192 13  
 79207193 13  
 79207194 13  
 79207201 13  
 79207202 13  
 79207203 13  
 79207206 13  
 79207211 13  
 79207212 13  
 79207222 11  
 79207227 11  
 79207228 11  
 79207230 11  
 79207234 6  
 79207234a 11,52,54  
 79207238 11  
 79207258 11  
 79207261 11  
 79207271 13  
 79207275 13  
 79207301 11  
 79207302 11  
 79207303 11  
 79207306 11  
 79207401 38  
 79207408 38  
 79207411 38  
 79207414 38  
 79207771 2  
 79207802 11  
 79207805 11  
 79207811 11  
 79207812 11  
 79207821 11  
 79207823 11  
 79207828 11  
 79207831 11  
 79207835 11  
 79208010 14,15,16,17,18,19,21,  
 22  
 79208053 14  
 79208055 14  
 79208057 14,16,19  
 79208063 14,16,21  
 79208065 14,16,17,18,19,20,21,  
 22  
 79208066 14,15,16,17,18,19,20,  
 21,22

## Best.-Nr. Tafel

79208091 14  
 79208153 14,20  
 79208157 14,15,18,20  
 79208163 15,17,20,22  
 79208211 15,17,18,22  
 79208225 15,17,18  
 79208226 15,16,17,18  
 79208229 16  
 79208311 15,18,51,53,56,78  
 79208321 15,18,51,53,56,78  
 79208326 15,18,51,53,56,78  
 79208328 15,18,51,53,56,78  
 79208334 15,18,51,53,56,78  
 79208406 16,19,21  
 79208801 19  
 79208802 19  
 79208803 19  
 79208834 19,21,22  
 79208835 19,21,22  
 79208847 19  
 79208853 20  
 79208855 20  
 79208931 21  
 79209039 22  
 79209065 15  
 79210001 14  
 79210003 14  
 79210005 14,16  
 79210021 14,16,21  
 79210051 14  
 79210054 14  
 79210061 14,15,16,17,21,22  
 79210153 14  
 79210155 14,15,17  
 79210171 14,15,17,22  
 79210201 14  
 79210303 15  
 79210311 15,17,18  
 79210321 15,17,22  
 79210331 15,16,17,18,21,22  
 79210351 15,17,18  
 79210372 15,16,17,18,19,21,22  
 79210373 15,16,17,21,22  
 79210501 16  
 79210503 16  
 79210511 16  
 79210521 16,21  
 79210551 16  
 79210653 17  
 79210701 18  
 79210703 18  
 79210705 18  
 79210711 18  
 79210901 21  
 79210903 21  
 79210905 21  
 79210916 21  
 79210917 21  
 79210921 21  
 79210951 21



## Best.-Nr. Tafel

79207762 12  
 79207771 2  
 79207802 11  
 79207805 11  
 79207811 11  
 79207812 11  
 79207821 11  
 79207823 11  
 79207828 11  
 79207831 11  
 79207835 11  
 79207871 13  
 79207873 13  
 79207874 13  
 79207880 13  
 79208010 14, 15, 16, 17, 18, 19, 21,  
 22  
 79208053 14  
 79208055 14  
 79208057 14, 16, 19  
 79208063 14, 16, 21  
 79208065 14, 16, 17, 18, 19, 20, 21,  
 22  
 79208066 14, 15, 16, 17, 18, 19, 20,  
 21, 22  
 79208091 14  
 79208153 14, 20  
 79208157 14, 15, 18, 20  
 79208163 15, 17, 20, 22  
 79208211 15, 17, 18, 22  
 79208225 15, 17, 18  
 79208226 15, 16, 17, 18  
 79208229 16  
 79208311 15, 18, 53, 55, 58, 84  
 79208321 15, 18, 53, 55, 58, 84  
 79208326 15, 18, 53, 55, 58, 84  
 79208328 15, 18, 53, 55, 58, 84  
 79208334 15, 18, 53, 55, 58, 84  
 79208406 16, 19, 21  
 79208801 19  
 79208802 19  
 79208803 19  
 79208834 19, 21, 22  
 79208835 19, 21, 22  
 79208847 19  
 79208853 20  
 79208855 20  
 79208931 21  
 79209039 22  
 79209065 15  
 79210001 14  
 79210003 14  
 79210005 14, 16  
 79210021 14, 16, 21  
 79210051 14  
 79210054 14  
 79210061 14, 15, 16, 17, 21, 22  
 79210153 14  
 79210155 14, 15, 17  
 79210171 14, 15, 17, 22

## Best.-Nr. Tafel

79210201 14  
 79210303 15  
 79210311 15, 17, 18  
 79210321 15, 17, 22  
 79210331 15, 16, 17, 18, 21, 22  
 79210351 15, 17, 18  
 79210372 15, 16, 17, 18, 19, 21, 22  
 79210373 15, 16, 17, 21, 22  
 79210501 16  
 79210503 16  
 79210511 16  
 79210521 16, 21  
 79210551 16  
 79210653 17  
 79210701 18  
 79210703 18  
 79210705 18  
 79210711 18  
 79210901 21  
 79210903 21  
 79210905 21  
 79210916 21  
 79210917 21  
 79210921 21  
 79210951 21  
 79211003 22  
 79211005 22  
 79211016 22  
 79211021 22  
 79211051 22  
 79215093 63  
 79215111 63  
 79220305 77  
 79220308 77  
 79220315 4  
 79220318 4  
 79221174 8, 30  
 79300243 11  
 79300316 4, 11, 12, 13  
 79303508 36, 52, 81, 82  
 79310301 15  
 79320005 25  
 79320006 25  
 79320022 25  
 79320029 25  
 79320033 25  
 79320036 25  
 79320055 25  
 79320092 23, 76  
 79320101 23, 76  
 79320122 23, 76, 78  
 79320126 23, 76  
 79320128 23, 76, 78  
 79320135 23, 76, 78  
 79320140 23, 78  
 79320141 24  
 79320144 24  
 79320147 24  
 79320151 24  
 79320171 24

## Best.-Nr. Tafel

79320172 24  
 79320175 24  
 79320178 24  
 79320183 24  
 79320186 24  
 79320191 24  
 79320222 23, 76  
 79320237 23, 76, 78  
 79320502 23  
 79320509 24  
 79320513 24  
 79320521 24  
 79320526 24  
 79320535 24  
 79320538 23, 78  
 79320545 23  
 79320551 23, 78  
 79320561 23, 78  
 79320572 23  
 79320575 23  
 79320577 23  
 79320601 25a  
 79320603 25a  
 79320607 25a  
 79320610 25a, 78  
 79320612 25a  
 79320614 25a  
 79320616 25a  
 79320618 25a  
 79320641 25a  
 79320642 25a  
 79320644 25a  
 79320648 25a  
 79320649 25a  
 79321001 76  
 79321011 76, 78  
 79321022 76, 78  
 79321023 76, 78  
 79321024 76, 78  
 79321025 76, 78  
 79321026 76, 78  
 79321027 76, 78  
 79321061 76  
 79321062 76  
 79321063 76  
 79321064 76  
 79321081 76, 78  
 79321201 78  
 79321208 79  
 79321212 79  
 79321221 79  
 79321223 79  
 79321231 79  
 79321236 79  
 79321251 79  
 79321261 79  
 79321266 79  
 79321271 79  
 79321272 79  
 79321273 79

## Best.-Nr. Tafel

79211003 22  
 79211005 22  
 79211016 22  
 79211021 22  
 79211051 22  
 79215093 61  
 79215111 61  
 79220305 74  
 79220308 74  
 79220315 4  
 79220318 4  
 79221174 8,31  
 79300243 11  
 79300316 4,11,13  
 79303508 33,50,75,76  
 79310301 15  
 79320005 25  
 79320006 25  
 79320022 25  
 79320029 25  
 79320033 25  
 79320036 25  
 79320055 25  
 79320092 23  
 79320101 23  
 79320122 23  
 79320126 23  
 79320128 23  
 79320135 23  
 79320140 23  
 79320141 24  
 79320144 24  
 79320147 24  
 79320151 24  
 79320171 24  
 79320172 24  
 79320175 24  
 79320178 24  
 79320183 24  
 79320186 24  
 79320191 24  
 79320222 23  
 79320237 23  
 79320502 23  
 79320509 24  
 79320513 24  
 79320521 24  
 79320526 24  
 79320535 24  
 79320538 23  
 79320545 23  
 79320551 23  
 79320561 23  
 79320572 23  
 79320575 23  
 79320577 23  
 79320601 26  
 79320603 26  
 79320607 26  
 79320610 26

## Best.-Nr. Tafel

79320612 26  
 79320614 26  
 79320616 26  
 79320618 26  
 79320641 26  
 79320642 26  
 79320644 26  
 79320648 26  
 79320649 26  
 79321428 23  
 79324001 50  
 79324021 50,75,76  
 79324022 50,75,76  
 79324024 50  
 79324028 50,75,76  
 79324031 50  
 79324032 50  
 79324038 50  
 79324044 50  
 79324047 50,75,76  
 79324051 50  
 79324067 50  
 79324068 50  
 79324072 50  
 79324074 50  
 79324078 50  
 79324531 30  
 79324533 30  
 79325004 27,28,29  
 79325006 27,28,29,75,76  
 79325007 27,28,29  
 79325008 27,28,29,75,76  
 79325018 27,28  
 79325026 27  
 79325028 27  
 79325029 27  
 79325030 27  
 79325036 27,28,29  
 79325037a 27  
 79325038a 27  
 79325041 27,28,29  
 79325044 27,28  
 79325045 27,29  
 79325046 27,28,29  
 79325068 27,28,29  
 79325069 27,28,29  
 79325071 27,28,29  
 79325157 28  
 79325158 28  
 79325159 28  
 79325160 28,29  
 79325193 29  
 79325195 29  
 79325196 29  
 79325198 29  
 79325199 29  
 79325200 29  
 79325225 29  
 79325273 29  
 79325275 29

## Best.-Nr. Tafel

79325293 27  
 79325295 27  
 79325297 30  
 79325299 30  
 79325303 27  
 79325305 27  
 79325307 30  
 79325309 30  
 79325317 30  
 79325319 30  
 79325333 28  
 79325335 28  
 79325337 30  
 79325339 30  
 79325343 29  
 79325363 27  
 79325365 27  
 79325367 30  
 79325369 30  
 79325377 30  
 79325379 30  
 79325393 28  
 79325395 28  
 79325397 30  
 79325399 30  
 79325403 29  
 79325405 29  
 79325407 30  
 79325409 30  
 79325413 27  
 79325415 27  
 79325417 30  
 79325419 30  
 79325424 30  
 79325433 27  
 79325435 27  
 79325453 27  
 79325455 27  
 79325457 30  
 79325459 30,80  
 79325467 30  
 79325469 30  
 79325473 28  
 79325475 28  
 79325477 30  
 79325479 30  
 79325487 30  
 79325489 30  
 79325493 27  
 79325495 27  
 79325497 30  
 79325499 30,80  
 79325507 30  
 79325509 30  
 79325513 28  
 79325515 28  
 79325517 30  
 79325519 30  
 79325527 30  
 79325532 30

## Best.-Nr. Tafel

79321277 79  
 79321291 79  
 79321293 79  
 79321294 79  
 79321311 79  
 79321321 79  
 79321328 79  
 79321331 79  
 79321334 79  
 79321351 79  
 79321352 79  
 79321353 79  
 79321361 78  
 79321363 78  
 79321372 78  
 79321373 78  
 79321401 78  
 79321403 78  
 79321408 78  
 79321423 78  
 79321428 23,76  
 79324001 52  
 79324021 52,81,82  
 79324022 52,81,82  
 79324024 52  
 79324028 52,81,82  
 79324031 52  
 79324032 52  
 79324038 52  
 79324044 52  
 79324047 52,81,82  
 79324051 52  
 79324067 52  
 79324068 52  
 79324072 52  
 79324074 52  
 79324078 52  
 79324531 29  
 79324533 29  
 79325004 26,27,28  
 79325006 26,27,28,81,82  
 79325007 26,27,28  
 79325008 26,27,28,79,81,82  
 79325018 26,27  
 79325026 26  
 79325028 26  
 79325029 26  
 79325030 26  
 79325036 26,27,28  
 79325037a 26  
 79325038a 26  
 79325041 26,27,28  
 79325044 26,27  
 79325045 26,28  
 79325046 26,27,28  
 79325068 26,27,28  
 79325069 26,27,28  
 79325071 26,27,28  
 79325157 27  
 79325158 27

## Best.-Nr. Tafel

79325159 27  
 79325160 27,28  
 79325193 28  
 79325195 28  
 79325196 28  
 79325198 28  
 79325199 28  
 79325200 28  
 79325225 28  
 79325273 28  
 79325275 28  
 79325293 26  
 79325295 26  
 79325297 29  
 79325299 29  
 79325303 26  
 79325305 26  
 79325307 29  
 79325309 29  
 79325317 29  
 79325319 29  
 79325333 27  
 79325335 27  
 79325337 29  
 79325339 29  
 79325343 28  
 79325363 26  
 79325365 26  
 79325367 29  
 79325369 29  
 79325377 29  
 79325379 29  
 79325393 27  
 79325395 27  
 79325397 29  
 79325399 29  
 79325403 28  
 79325405 28  
 79325407 29  
 79325409 29  
 79325413 26  
 79325415 26  
 79325417 29  
 79325419 29  
 79325424 29  
 79325433 26  
 79325435 26  
 79325453 26  
 79325455 26  
 79325457 29  
 79325459 29,86  
 79325467 29  
 79325469 29  
 79325473 27  
 79325475 27  
 79325477 29  
 79325479 29  
 79325487 29  
 79325489 29  
 79325493 26

## Best.-Nr. Tafel

79325495 26  
 79325497 29  
 79325499 29,86  
 79325507 29  
 79325509 29  
 79325513 27  
 79325515 27  
 79325517 29  
 79325519 29  
 79325527 29  
 79325532 29  
 79325534 29  
 79325543 26  
 79325545 26  
 79325547 29  
 79325549 29  
 79325553 28  
 79325555 28  
 79325557 29  
 79325559 29  
 79325563 27  
 79325565 27  
 79325567 29  
 79325569 29  
 79325573 28  
 79325575 28  
 79325577 29  
 79325579 29  
 79325583 27  
 79325585 27  
 79325587 29  
 79325589 29  
 79325833 28  
 79325835 28  
 79325837 29  
 79325839 29  
 79325843 27  
 79325845 27  
 79325849 29  
 79327001 86  
 79327002 86  
 79327031 86  
 79327032 86  
 79327061 86  
 79327062 86  
 79327101 86  
 79327102 86  
 79327104 86  
 79327112 86  
 79327113 86  
 79327121 86  
 79327122 86  
 79327141 86  
 79327142 86  
 79327148 86  
 79327151 86  
 79327152 86  
 79327202 86  
 79327203 86  
 79327208 86

## Best.-Nr. Tafel

79325534 30  
 79325543 27  
 79325545 27  
 79325547 30  
 79325549 30  
 79325553 29  
 79325555 29  
 79325557 30  
 79325559 30  
 79325563 28  
 79325565 28  
 79325567 30  
 79325569 30  
 79325573 29  
 79325575 29  
 79325577 30  
 79325579 30  
 79325583 28  
 79325585 28  
 79325587 30  
 79325589 30  
 79325833 29  
 79325835 29  
 79325837 30  
 79325839 30  
 79325843 28  
 79325845 28  
 79325849 30  
 79327001 80  
 79327002 80  
 79327031 80  
 79327032 80  
 79327061 80  
 79327062 80  
 79327101 80  
 79327102 80  
 79327104 80  
 79327112 80  
 79327113 80  
 79327121 80  
 79327122 80  
 79327141 80  
 79327142 80  
 79327148 80  
 79327151 80  
 79327152 80  
 79327202 80  
 79327203 80  
 79327208 80  
 79327211 80  
 79327214 80  
 79327221 80  
 79327226 80  
 79327229 80  
 79327232 80  
 79327233 80  
 79327244 80  
 79327301 80  
 79327307 80  
 79327401 75

## Best.-Nr. Tafel

79327402 75  
 79327405 76  
 79327406 76  
 79327411 75  
 79327412 75  
 79327415 76  
 79327416 76  
 79327503 75  
 79327505 75  
 79327506 75  
 79327512 75,76  
 79327517 75,76  
 79327521 75,76  
 79327523 75,76  
 79327525 75,76  
 79327531 75  
 79327535 75,76  
 79327539 75,76  
 79327541 75,76  
 79327561 75,76  
 79327575 75,76  
 79327581 75,76  
 79327586 75  
 79327587 75  
 79327592 75,76  
 79327598 75,76  
 79327599 75,76  
 79327601 75,76  
 79327611 75,76  
 79327623 75,76  
 79327631 75,76  
 79327632 75,76  
 79327635 75,76  
 79327653 76  
 79327655 76  
 79327656 76  
 79327658 76  
 79327661 76  
 79327662 76  
 79327664 76  
 79327667 76  
 79327721 75,76  
 79327724 75  
 79327726 75,76  
 79327727 76  
 79364904 59  
 79368394 60,70  
 79368395 60,70  
 79368404 60,70  
 79400112 70  
 79400123 60,70  
 79400701 66  
 79400706 66,68  
 79400708 66,68  
 79400715 66,68  
 79400724 66,67,68,69  
 79400725 67,69  
 79400728 67,69  
 79400743 67,69  
 79400748 67,69

## Best.-Nr. Tafel

79400751 67,69  
 79400752 67,69  
 79400753 67,69  
 79400761 61  
 79400762 67,69  
 79400767 66,68  
 79400771 66,68  
 79400774 66,68  
 79400777 67,69  
 79400779 67,69  
 79400801 67,69  
 79400802 67,69  
 79400806 67,69  
 79400808 67,69  
 79400813 67,69  
 79400816 67,69  
 79400843 67  
 79400845 67,69  
 79400851 67,69  
 79400857 66,68  
 79400861 66,68  
 79400866 66,68  
 79400871 66,68  
 79400881 67,69  
 79400883 66,68  
 79400915 67,69  
 79400916 67,69  
 79401004 64  
 79401006 64  
 79401008 64  
 79401011 64  
 79401014 64  
 79401021 64  
 79401029 64  
 79401031 64  
 79401049 64  
 79401071 64  
 79401076 64  
 79401078 64  
 79401086 65  
 79401087 65  
 79401091 65  
 79401093 65  
 79401111 65  
 79401126 65  
 79401201 64  
 79401314 71  
 79401316 71  
 79401521 72  
 79401529 72  
 79401541 72  
 79401542 72  
 79401801 58,59  
 79401806 58,61  
 79401835 58  
 79401886 59  
 79401889 59  
 79402001 82  
 79402005 82  
 79402006 82

## Best.-Nr. Tafel

79327211 86  
 79327214 86  
 79327221 86  
 79327226 86  
 79327229 86  
 79327232 86  
 79327233 86  
 79327244 86  
 79327301 86  
 79327307 86  
 79327401 81  
 79327402 81  
 79327405 82  
 79327406 82  
 79327411 81  
 79327412 81  
 79327415 82  
 79327416 82  
 79327503 81  
 79327505 81  
 79327506 81  
 79327512 81,82  
 79327517 81,82  
 79327521 81,82  
 79327523 81,82  
 79327525 81,82  
 79327531 81  
 79327535 81,82  
 79327539 81,82  
 79327541 81,82  
 79327561 81,82  
 79327575 81,82  
 79327581 81,82  
 79327586 81  
 79327587 81  
 79327592 81,82  
 79327598 81,82  
 79327599 81,82  
 79327601 81,82  
 79327611 81,82  
 79327623 81,82  
 79327631 81,82  
 79327632 81,82  
 79327635 81,82  
 79327653 82  
 79327655 82  
 79327656 82  
 79327658 82  
 79327661 82  
 79327662 82  
 79327664 82  
 79327667 82  
 79327721 81,82  
 79327724 81  
 79327726 81,82  
 79327727 82  
 79364904 61  
 79368394 62,72  
 79368395 62,72  
 79368404 62,72

## Best.-Nr. Tafel

79400112 72  
 79400123 62,72  
 79400701 68  
 79400706 68,70  
 79400708 68,70  
 79400715 68,70  
 79400724 68,69,70,71  
 79400725 69,71  
 79400728 69,71  
 79400743 69,71  
 79400748 69,71  
 79400751 69,71  
 79400752 69,71  
 79400753 69,71  
 79400761 63  
 79400762 69,71  
 79400767 68,70  
 79400771 68,70  
 79400774 68,70  
 79400777 69,71  
 79400779 69,71  
 79400801 69,71  
 79400802 69,71  
 79400806 69,71  
 79400808 69,71  
 79400813 69,71  
 79400816 69,71  
 79400843 69  
 79400845 69,71  
 79400851 69,71  
 79400857 68,70  
 79400861 68,70  
 79400866 68,70  
 79400871 68,70  
 79400881 69,71  
 79400883 68,70  
 79400915 69,71  
 79400916 69,71  
 79401004 66  
 79401006 66  
 79401008 66  
 79401011 66  
 79401014 66  
 79401021 66  
 79401029 66  
 79401031 66  
 79401049 66  
 79401071 66  
 79401076 66  
 79401078 66  
 79401086 67  
 79401087 67  
 79401091 67  
 79401093 67  
 79401111 67  
 79401126 67  
 79401201 66  
 79401314 73  
 79401316 73  
 79401521 74

## Best.-Nr. Tafel

79401529 74  
 79401541 74  
 79401542 74  
 79401801 60,61  
 79401806 60,63  
 79401886 61  
 79401889 61  
 79401895 60  
 79402001 88  
 79402005 88  
 79402006 88  
 79402101 75  
 79402103 64,71,75  
 79402111 64  
 79402151 75  
 79402155 75  
 79402168 64,75  
 79402211 72  
 79402213 72  
 79402241 72  
 79402252 69,71  
 79402291 70  
 79402297 71  
 79402298 71  
 79402299 71  
 79402305 71  
 79402307 71  
 79402308 71  
 79402315 70  
 79402335 65  
 79402401 36  
 79402404 36  
 79402405 36  
 79402415 36  
 79402424 36  
 79402434 36  
 79402452 36  
 79402453 36  
 79402454 36  
 79402455 36  
 79402457 36  
 79402556 73  
 79402557 73  
 79402594 73  
 79402594a 73  
 79402595 73  
 79402596 73  
 79402597 73  
 79402599 73  
 79402599a 73  
 79402601 73  
 79402609 73  
 79402614 73  
 79402641 73  
 79402642 73  
 79402651 73  
 79402655 73  
 79402656 73  
 79402731 74  
 79402737 74

## Best.-Nr. Tafel

79402741 74  
 79402747 74  
 79402901 73  
 79402909 73  
 79402910 73  
 79403001 23  
 79403145 88  
 79403505 59,85  
 79403507 59,85  
 79404001 53  
 79404032 53,55  
 79404038 53,55  
 79404045a 53,54,55,56,57,58,83,  
 84  
 79404047 53,54,55,56,57,58,83,  
 84  
 79404129 59,85  
 79404130 59,85  
 79404501 54  
 79404512 54,56,57  
 79404520 54,56,57,58,83,84  
 79404522 54,56,57,83  
 79404601 55  
 79404603 55,56,57  
 79404605 55,84  
 79404609 55,84  
 79404610 55,56  
 79404701 56  
 79404705 56  
 79404709 56  
 79404806 57,83  
 79404813 57,83  
 79404815 57,58,84  
 79404837 53,54,55,56,57,58,83,  
 84  
 79404841 58  
 79404844 58  
 79404851 81,82  
 79404867 59,85  
 79404901 57  
 79404907 57  
 79404913 58,84  
 79404922 58,84  
 79404926 58,84  
 79404931 58  
 79404958 59  
 79405031 83  
 79405044 84  
 79405048 83  
 79405055 83  
 79405061 83  
 79405064 83  
 79405068 83  
 79405131 77  
 79405133 77  
 79405155 77  
 79405156 77  
 79405196 77  
 79405421 88  
 79405423 88

## Best.-Nr. Tafel

79405427 88  
 79405501 63  
 79405513 63  
 79405516 63  
 79405521 63  
 79405522 63  
 79405533 63  
 79405538 63  
 79405546 63  
 79405551 63  
 79405557 63  
 79405563 63  
 79405573 63  
 79405584 63  
 79405595 63  
 79405613 63  
 79405616 63  
 79405621 63  
 79405631 63  
 79405633 63  
 79405655 63  
 79405661 63  
 79405662 63  
 79405681 63  
 79405742 64  
 79405743 64  
 79405745 64  
 79405748 64  
 79405749 64,75  
 79405750 64,75  
 79405761 64  
 79405763 64  
 79405764 64  
 79405766 64  
 79405901 75  
 79405904 75  
 79405951 64  
 79406151 87  
 79406152 87  
 79406153 87  
 79406154 87  
 79406161 87  
 79406162 87  
 79406163 87  
 79406164 87  
 79406171 87  
 79406172 87  
 79406173 87  
 79406174 87  
 79406177 87  
 79406178 87  
 79406189 87  
 79406191 87  
 79406192 87  
 79407001 77  
 79407005 77  
 79407006 77  
 79407011 77  
 79407013 77  
 79407014 77

## Best.-Nr. Tafel

79407021 77  
 79407022 77  
 79407027 77  
 79407057 77  
 79407071 77  
 79407073 77  
 79407081 77  
 79407083 77  
 79407104 77  
 79407105 77  
 79407121 77  
 79407141 77  
 79407151 77  
 79407157 77  
 79407164 77  
 79407171 77  
 79407172 77  
 79442331 71  
 79700015 62  
 79700020 62,72  
 79700111 7  
 79700143 62  
 79700209 65  
 79700210 59,68,70,80,85,86  
 79700215 65  
 79700240 65  
 79700317 41  
 79700322 31,41,59,85  
 79700331 11,13,37,41,59,67,85  
 79700332 74,77,80,81,82  
 79700333 34  
 79700334 59,85  
 79700335 8,41  
 79700340 41  
 79700405 34  
 79700411 4,8,12,37,39,41,65,  
 66,67,72  
 79700412 8,24,53,54,55,56,57,  
 58,68,69,70,71,77,79,  
 80,83,84  
 79700413 36,73  
 79700417 65  
 79700891 41  
 79700922 41  
 79700923 41  
 79700925 41  
 79700926 41  
 79701030 10,66,73,79  
 79701032 13  
 79701521 63,79  
 79701532 53,54,55,56,57,58,83,  
 84  
 79701541 81  
 79701542 82  
 79702015 41  
 79702016 7,10,12,13,19,24,25,  
 26,27,28,33,34,36,37,  
 41,59,62,65,67,68,70,  
 73,74,77,78,79,80,81,  
 82,85,86

## Best.-Nr. Tafel

79402101 73  
 79402103 62,69,73  
 79402111 62  
 79402151 73  
 79402155 73  
 79402168 62,73  
 79402201 70  
 79402211 70  
 79402213 70  
 79402241 70  
 79402252 67,69  
 79402291 68  
 79402297 69  
 79402298 69  
 79402299 69  
 79402305 69  
 79402307 69  
 79402308 69  
 79402315 68  
 79402335 63  
 79402401 33  
 79402404 33  
 79402405 33  
 79402415 33  
 79402424 33  
 79402432 33  
 79402434 33  
 79402452 33  
 79402453 33  
 79402454 33  
 79402455 33  
 79402457 33  
 79402556 71  
 79402557 71  
 79402594 71  
 79402595 71  
 79402596 71  
 79402597 71  
 79402599 71  
 79402599a 71  
 79402601 71  
 79402609 71  
 79402614 71  
 79402641 71  
 79402642 71  
 79402651 71  
 79402655 71  
 79402656 71  
 79402731 72  
 79402737 72  
 79402741 72  
 79402747 72  
 79402901 71  
 79402909 71  
 79402910 71  
 79403001 23  
 79403145 82  
 79403505 57,79  
 79403507 57,79  
 79404001 51

## Best.-Nr. Tafel

79404032 51,53  
 79404038 51,53  
 79404045a 51,52,53,54,55,56,77,  
 78  
 79404047 51,52,53,54,55,56,77,  
 78  
 79404129 57,79  
 79404130 57,79  
 79404501 52  
 79404512 52,54,55  
 79404520 52,54,55,56,77,78  
 79404522 52,54,55,77  
 79404601 53  
 79404603 53,54,55  
 79404605 53,78  
 79404609 53,78  
 79404610 53,54  
 79404701 54  
 79404705 54  
 79404709 54  
 79404806 55,77  
 79404813 55,77  
 79404815 55,56,78  
 79404837 51,52,53,54,55,56,77,  
 78  
 79404841 56  
 79404844 56  
 79404851 75,76  
 79404867 57,79  
 79404901 55  
 79404907 55  
 79404913 56,78  
 79404922 56,78  
 79404926 56,78  
 79404931 56  
 79404958 57  
 79405031 77  
 79405044 78  
 79405048 77  
 79405055 77  
 79405061 77  
 79405064 77  
 79405068 77  
 79405131 74  
 79405133 74  
 79405155 74  
 79405156 74  
 79405196 74  
 79405421 82  
 79405423 82  
 79405427 82  
 79405501 61  
 79405513 61  
 79405516 61  
 79405521 61  
 79405522 61  
 79405533 61  
 79405538 61  
 79405546 61  
 79405551 61

## Best.-Nr. Tafel

79405557 61  
 79405563 61  
 79405573 61  
 79405584 61  
 79405595 61  
 79405613 61  
 79405616 61  
 79405621 61  
 79405631 61  
 79405633 61  
 79405655 61  
 79405661 61  
 79405662 61  
 79405681 61  
 79405742 62  
 79405743 62  
 79405745 62  
 79405748 62  
 79405749 62,73  
 79405750 62,73  
 79405761 62  
 79405763 62  
 79405764 62  
 79405766 62  
 79405901 73  
 79405904 73  
 79405951 62  
 79406151 81  
 79406152 81  
 79406153 81  
 79406154 81  
 79406161 81  
 79406162 81  
 79406163 81  
 79406164 81  
 79406171 81  
 79406172 81  
 79406173 81  
 79406174 81  
 79406177 81  
 79406178 81  
 79406189 81  
 79406191 81  
 79406192 81  
 79407001 74  
 79407005 74  
 79407006 74  
 79407011 74  
 79407013 74  
 79407014 74  
 79407021 74  
 79407022 74  
 79407027 74  
 79407057 74  
 79407071 74  
 79407073 74  
 79407081 74  
 79407083 74  
 79407104 74  
 79407105 74

**Best.-Nr. Tafel**

79702017 80  
 79702201 59,65,67,68,70,72,80,  
 85,88  
 79702203 12  
 79702214 65  
 79702252 62,65,72,73  
 79702302 61,62  
 79702333 41  
 79702627 41  
 79702646 4,77  
 79703017 41  
 79703019 34  
 79703031 41  
 79703063 41  
 79703193 41,62  
 79703194 62,72  
 79722201 41  
 79750841 41  
 79751007 67  
 79751058 41  
 79800496 50  
 79800497 43  
 79800498 43  
 79800795 4,5,13,23,30,73,78  
 79800796 10  
 79802003 49  
 79802004 49  
 79802363a 63  
 79803212a 49  
 79803212g 49  
 79803216 49  
 798101004 12  
 798101021 30,42  
 798122268 25a  
 798122564 43  
 798122596 43,86  
 798122808 64  
 798123005 81,82  
 798123181 46,47,48  
 798123920 30  
 798124903 41  
 798124911 50  
 798124912 43  
 798126009 64  
 798140055 42  
 798140056 42  
 798147001 23,76  
 798149004 43  
 798149007 43  
 798149015 43  
 798149016 43  
 798160007 48  
 798160207 44,45,47  
 798160419 46  
 798161401 46  
 798163004 43  
 798163603 44  
 798163604 43  
 798165027 47  
 798166510 44,45,47

**Best.-Nr. Tafel**

798166522 47  
 798166526 47  
 798167004 45  
 798167007 45,46  
 798167010 46  
 798167102 47  
 798167104 45  
 798167110 45  
 798167111 44,45,46  
 798167112 45  
 798167113 44,45  
 798167114 44,45,47  
 798167115 44  
 798167116 44,46  
 798167122 46  
 798167125 46,47  
 798167126 46  
 798167127 47  
 798167128 45,46  
 798167504 44  
 798167505 45,46  
 798167951 45,46  
 798180111 45  
 798180121 48  
 798180171 44  
 798180181 47  
 798180265 46  
 798200136 5  
 798202603 42  
 798202804 42  
 798220082 43,50  
 798220507 43,76  
 798220622 43,50  
 798221002 42  
 798221022 62,72  
 798240218 42  
 798241018 43  
 798260252 48  
 798261044 47  
 798261047 45  
 798262071 45,46  
 798262396 45,47  
 798262597 45  
 798268024 44,45,46,47  
 798281502 23,76,78  
 798281510 23,76,78  
 798283001 43  
 798357502 44  
 798357503 47  
 798360209 64  
 798361031 5  
 798420066 43  
 798422411 43  
 798422412 43  
 798422413 43  
 798422414 44  
 798422416 44  
 798422601 45,47  
 798424202 23,30  
 798424203 23,30

**Best.-Nr. Tafel**

798426049 43  
 798427002 64  
 798440001 42  
 798440024 47  
 798446167 43  
 798446171 48  
 798446172 45  
 798446176 46  
 798446177 47  
 798448012 43  
 798460331 50  
 798480826 23,76  
 798480902 42  
 798480903 42  
 798480904 42  
 798480905 30  
 798480906 30  
 798481022 43  
 798481024 42  
 798481025 43  
 798481226 50  
 798481229 43  
 798481241 42  
 798481242 42,43  
 798481652 42  
 798481653 42  
 798481658 42  
 798481659 43  
 798481671 42  
 798481672 42  
 798483112 45,46,47,48  
 798483201 44,45,47  
 798483204 47  
 798483207 44,45  
 798483208 44  
 798500088 50  
 798500089 50  
 798500445 50  
 798521416 46  
 798521472 47  
 798521502 46  
 798521742 47  
 798521822 47  
 798522199 44  
 798522322 45  
 798522441 45  
 798522502 45,46,47  
 798522509 46  
 798522582 47  
 798522662 47  
 798522670 45  
 798522822 45  
 798522942 45  
 798523009 45  
 798523010 44  
 798523082 45  
 798523162 45,46,47  
 798523242 45  
 798523250 45,46,47  
 798523322 47



## Best.-Nr. Tafel

79407121 74  
 79407141 74  
 79407151 74  
 79407157 74  
 79407164 74  
 79407171 74  
 79407172 74  
 79442331 69  
 79700015 60  
 79700020 60,70  
 79700111 7  
 79700143 60  
 79700209 63  
 79700210 57,66,68,79,80  
 79700215 63  
 79700240 63  
 79700312 35  
 79700317 39  
 79700322 39,57,79  
 79700331 11,57,65,79  
 79700332 72,74,75,76  
 79700333 34  
 79700334 39,57,79  
 79700335 8  
 79700340 39  
 79700405 34  
 79700411 4,8,12,35,37,39,63,  
 64,65,70  
 79700412 8,24,51,52,53,54,55,  
 56,66,67,68,69,74,77,  
 78  
 79700413 34,71  
 79700417 63  
 79700891 39  
 79700922 39  
 79700923 39  
 79700925 39  
 79700926 39  
 79701030 10,64,71  
 79701521 61  
 79701532 51,52,53,54,55,56,77,  
 78  
 79701541 75  
 79701542 76  
 79702015 39  
 79702016 7,10,19,24,25,27,28,  
 29,33,34,39,57,60,63,  
 65,66,68,71,72,74,75,  
 76,79,80  
 79702201 57,63,65,66,68,70,79,  
 82  
 79702214 63  
 79702252 60,63,70,71  
 79702302 59,60  
 79702333 39  
 79702627 33,39  
 79702646 4,74  
 79703017 39  
 79703019 34  
 79703031 39

## Best.-Nr. Tafel

79703063 39  
 79703191 35  
 79703193 39,60  
 79703194 60,70  
 79722201 39  
 79750841 39  
 79751007 65  
 79751058 39  
 79800496 48  
 79800497 41  
 79800498 41  
 79800795 4,5,23,31,71  
 79800796 10  
 79802003 47  
 79802004 47  
 79802363a 61  
 79803212a 47  
 79803212g 47  
 79803216 47  
 798101021 31,40  
 798122268 26  
 798122564 41  
 798122596 41,80  
 798122808 62  
 798123005 75,76  
 798123181 44,45,46  
 798123920 31  
 798124903 39  
 798124911 48  
 798124912 41  
 798126009 62  
 798140055 40  
 798140056 40  
 798147001 23  
 798149004 41  
 798149007 41  
 798149015 41  
 798149016 41  
 798160007 46  
 798160207 42,43,45  
 798160419 44  
 798161401 44  
 798163004 41  
 798163603 42  
 798163604 41  
 798165027 45  
 798166510 42,43,45  
 798166522 45  
 798166526 45  
 798167004 43  
 798167007 43,44  
 798167102 45  
 798167104 43  
 798167110 43  
 798167111 42,43,44  
 798167112 43  
 798167113 42,43  
 798167114 42,43,45  
 798167115 42  
 798167116 42,44

## Best.-Nr. Tafel

798167122 44  
 798167125 44,45  
 798167126 44  
 798167127 45  
 798167128 43,44  
 798167504 42  
 798167505 43,44  
 798167951 43,44  
 798180111 43  
 798180121 46  
 798180171 42  
 798180181 45  
 798180265 44  
 798200136 5  
 798202603 40  
 798202804 40  
 798220082 41,48  
 798220507 41  
 798220622 41,48  
 798221002 40  
 798221022 60,70  
 798240218 40  
 798241018 41  
 798260252 46  
 798261044 45  
 798261047 43  
 798262071 43,44  
 798262396 43,45  
 798262597 43  
 798268024 42,43,44,45  
 798281502 23  
 798281510 23  
 798283001 41  
 798357502 42  
 798357503 45  
 798360209 62  
 798361031 5  
 798420066 41  
 798422411 41  
 798422412 41  
 798422413 41  
 798422414 42  
 798422416 42  
 798422601 43,45  
 798424202 23,31  
 798424203 23,31  
 798426049 41  
 798427002 62  
 798440001 40  
 798440024 45  
 798446167 41  
 798446171 46  
 798446172 43  
 798446176 44  
 798446177 45  
 798446511 41  
 798448012 41  
 798460331 48  
 798480826 23  
 798480902 40

## Best.-Nr. Tafel

798523502 45,47  
 798523510 44  
 798700161 1  
 798700163 64  
 798700266 43  
 798740141 43  
 798740143 43  
 798740144P 45  
 798783001 66  
 90200097 5,18,19,25,36,78  
 90200140 31  
 90200300 76,78  
 90200380 6,7,86  
 90200428 38  
 90200514 26,27,28,63,81,82  
 90200602 38  
 90200670 9  
 90200707 26,27,28  
 90204102 26,27,87  
 91100150 5  
 91100196 31  
 91100267 5,9,10,33,50,66  
 91100333 61  
 91100339 14,15,16,17,21,22,53,  
 54,55,56,57,58,66,79,  
 81,82,83,84,86  
 91100376 1,10,60,63,64,75,76,  
 77  
 91100415 1  
 91100442 6  
 91100445 33,36  
 91100447a 6  
 91100457 73  
 91100514 10  
 91100668 61  
 91100679a 36  
 91300629 35  
 91400330 5  
 92200394 73  
 93002119 59,69,71,85  
 93102134 73  
 93300075 31  
 93300182 7,68,70  
 93300335 7,12,15,18,30,79  
 93300587 12,13,34  
 93301533 31  
 93301572 31  
 93305644 77  
 93305660 5  
 93305735 26,27,28,29,86  
 93306268 18,53,54,55,56,57,58,  
 83,84  
 93309478 62,72  
 93310848 77  
 93310868 63  
 93310889 52  
 93311296 2,3,4,6,13,57,58,66,  
 83,84,  
 93311327 61  
 93311399 87

## Best.-Nr. Tafel

93311424 23,24,86  
 93320024 63  
 93320251 2  
 93321883 38  
 93363984 26,86  
 93370043 9  
 93370175 3,4,7,9,53,54,55,56,  
 58,63,77,84,86  
 93370265 61,63,73  
 93374261 65,81,82  
 93378051 9  
 93378058 9  
 93378254 9,63  
 93378909 11  
 93378932 11  
 93379123 5,69,71  
 93379124 69,71  
 93500410 4,6,9,63  
 93500625 1  
 935100057 32  
 935100071 31  
 935100222 34  
 935100279 34  
 935100342 36  
 935100402 35  
 935100471 36  
 935100488 36  
 935100511 35  
 935100541 30  
 935100545 30  
 935100546 30  
 935100547 30  
 935100548 30  
 935100549 30  
 935100552 37  
 935100553a 37  
 935100553k 37  
 935100556 37  
 935100557 37  
 935100558 37  
 935100559 37  
 935100560 37  
 935100581 37  
 935100587 37  
 935100588 37  
 935100589 37  
 935100741 38  
 935100751 38  
 935100771 38  
 935100781 38  
 935100782 38  
 935100783 38  
 935100851 34  
 935102012 32  
 935102101 33  
 935102105 33  
 93900394 15,18  
 93910071 57,58,83,84  
 93916830 60,61,63  
 94204575 74

## Best.-Nr. Tafel

94204586 10,26,27,28,83  
 94204614 74  
 94204628 74  
 94204683 74  
 94204703 74  
 94210318 12,13,59,79,85,88  
 94300057 5  
 94401366 36,69,71,77  
 94500689 33  
 96500298 5  
 100100360 4,42,48,73  
 100101162 31,32,36,38,64  
 100109127 79  
 100109128 20,38  
 100109130 5,8,12,13,14,15,16,  
 17,18,19,21,22,23,24,  
 29,31,35,37,38,42,52,  
 76,78,79,81,82,86  
 100109148 4,63  
 100109162 5,23,30  
 100109228 4,14,15,16,17,21,22,  
 61  
 100109243 15,16,17,18,21,22,36  
 100500233 4,5,7,10,15,18,19,23,  
 30,36,38,59,62,66,72,  
 73,85,88

## Best.-Nr. Tafel

798480903 40  
 798480904 40  
 798480905 31  
 798480906 31  
 798481022 41  
 798481024 40  
 798481025 41  
 798481226 48  
 798481229 41  
 798481241 40  
 798481242 40,41  
 798481652 40  
 798481653 40  
 798481658 40  
 798481659 41  
 798481671 40  
 798481672 40  
 798483112 43,44,45,46  
 798483201 42,43,45  
 798483204 45  
 798483207 42,43  
 798483208 42  
 798500088 48  
 798500089 48  
 798500445 48  
 798521416 44  
 798521472 45  
 798521502 44  
 798521742 45  
 798521822 45  
 798522199 42  
 798522322 43  
 798522441 43  
 798522502 43,44,45  
 798522509 44  
 798522582 45  
 798522662 45  
 798522670 43  
 798522822 43  
 798522942 43  
 798523009 43  
 798523010 42  
 798523082 43  
 798523162 43,44,45  
 798523242 43  
 798523250 43,44,45  
 798523322 45  
 798523502 43,45  
 798523510 42  
 798700161 1  
 798700163 62  
 798700266 41  
 798740141 41  
 798740143 41  
 798740144P 43  
 798740324 44  
 798783001 64  
 90200097 5,18,19,25,33  
 90200140 32  
 90200380 6,7,80

## Best.-Nr. Tafel

90200428 37  
 90200514 27,28,29,61,75,76  
 90200602 37  
 90200670 9  
 90200707 27,28,29  
 90204102 27,28,81  
 91100150 5  
 91100196 32  
 91100267 5,9,10,32,48,64  
 91100333 59  
 91100339 14,15,16,17,21,22,51,  
 52,53,54,55,56,64,75,  
 76,77,78,80  
 91100376 1,10,58,61,62,73,74  
 91100415 1  
 91100442 6  
 91100445 34  
 91100447a 6  
 91100457 71  
 91100514 10  
 91100668 59  
 91100679a 34  
 91300629 36  
 91400330 5  
 92200394 71  
 93002119 57,67,69,79  
 93102134 71  
 93300075 32  
 93300182 7,66,68  
 93300335 7,15,18,31  
 93300587 13  
 93301533 34  
 93301572 32  
 93305644 74  
 93305660 5  
 93305735 27,28,29,30,80  
 93306268 18,51,52,53,54,55,56,  
 77,78  
 93309478 60,70  
 93310848 74  
 93310868 61  
 93310889 50  
 93311296 2,3,4,6,13,55,56,64,  
 77,78  
 93311327 59  
 93311399 81  
 93311424 23,24,80  
 93320024 61  
 93320251 2  
 93363984 27,80  
 93370043 9  
 93370175 3,4,7,9,51,52,53,54,  
 56,61,74,78,80  
 93370265 59,61,71  
 93374261 63,75,76  
 93378051 9  
 93378058 9  
 93378254 9,61  
 93378909 11  
 93378932 11

## Best.-Nr. Tafel

93379123 5,67,69  
 93379124 67,69  
 93500410 4,6,9,61  
 93500625 1  
 935100057 32  
 935100142 32  
 935100159 32  
 935100221 33  
 935100222 33  
 935100279 34  
 935100342 34  
 935100402 36  
 935100471 34  
 935100488 34  
 935100511 36  
 935100541 31  
 935100545 31  
 935100546 31  
 935100547 31  
 935100548 31  
 935100549 31  
 935100552 35  
 935100553a 35  
 935100553k 35  
 935100556 35  
 935100557 35  
 935100558 35  
 935100559 35  
 935100560 35  
 935100581 35  
 935100587 35  
 935100588 35  
 935100589 35  
 935100741 37  
 935100751 37  
 935100771 37  
 935100781 37  
 935100782 37  
 935100783 37  
 935100851 37  
 93900394 15,18  
 93910071 55,56,77,78  
 93916830 58,59,61  
 94204575 72  
 94204586 10,27,28,29,77  
 94204614 72  
 94204628 72  
 94204683 72  
 94204703 72  
 94210318 57,79,82  
 94300057 5  
 94401366 33,67,69,74  
 94500689 33  
 96500298 5  
 100100360 4,40,46,71  
 100101162 32,33,37,62  
 100109128 20,37  
 100109130 5,8,14,15,16,17,18,  
 19,21,22,23,24,30,32,  
 34,35,36,37,40,50,75,  
 76,80

**Best.-Nr. Tafel**

100109148 4,61

100109162 5,23,31

100109228 4,14,15,16,17,21,22,  
59

100109243 15,16,17,18,21,22

100500233 4,5,7,10,15,18,19,23,  
31,34,37,57,60,64,70,  
71,79,82