

Teileliste und Näheinrichtungen  
Spare Parts List and Sewing Equipment

**570**

**DÜRKOPP ADLER AG**

---

Postfach 17 03 51, D-33703 Bielefeld • Potsdamer Straße 190, D-33719 Bielefeld  
Telefon (05 21) 9 25-0 • Telefax (05 21) 9 25 24 35

---

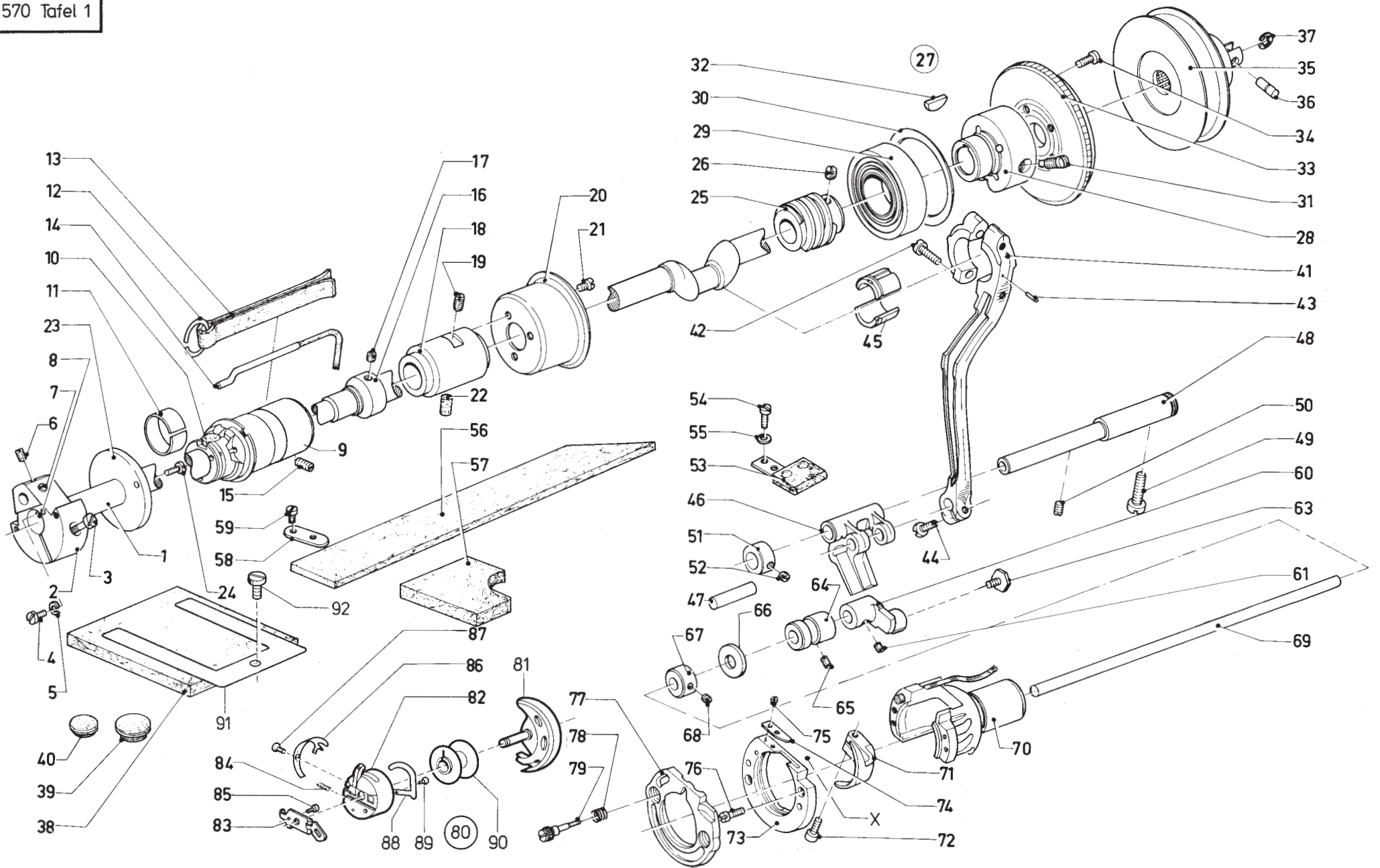


## Teileliste und Näheinrichtungen Spare Parts List and Sewing Equipment

# 570

|                        |  |
|------------------------|--|
| <b>Grundtype</b>       | <b>von Tafel 1–8 und 10</b>                |
| <b>Beipack</b>         | <b>Tafel 9</b>                             |
| <b>Kl. 570-115611</b>  | <b>Tafel 12 und 13, 18</b>                 |
| <b>Kl. 570-122800</b>  | <b>Tafel 14, 15, 17, 18</b>                |
| <b>Kl. 570-122811</b>  | <b>Tafel 12, 14, 15, 17, 18</b>            |
| <b>Kl. 570-123611</b>  | <b>Tafel 12, 14, 15, 17, 18</b>            |
| <b>Kl. 570-124206</b>  | <b>Tafel 14, 15, 16, 17, 18</b>            |
| <b>Kl. 570-124211</b>  | <b>Tafel 12, 14, 15, 17, 18</b>            |
| <b>Kl. 570-132800</b>  | <b>Tafel 3, 14, 15, 17, 18, 19, 20</b>     |
| <b>Kl. 570-132811</b>  | <b>Tafel 3, 12, 14, 15, 17, 18, 19, 20</b> |
| <b>Kl. 570-133611</b>  | <b>Tafel 3, 12, 14, 15, 17, 18, 19, 20</b> |
| <b>Kl. 570-134211</b>  | <b>Tafel 3, 12, 14, 15, 17, 18, 19, 20</b> |
| <b>Fadenöler</b>       | <b>Tafel 11</b>                            |
| <b>Zähleinrichtung</b> | <b>Tafel 11</b>                            |
| <b>Riemenscheiben</b>  | <b>Tafel 22 und 23</b>                     |
| <b>Lehren</b>          | <b>Tafel 21</b>                            |
| <b>Näheinrichtung</b>  | <b>siehe Anhang</b>                        |

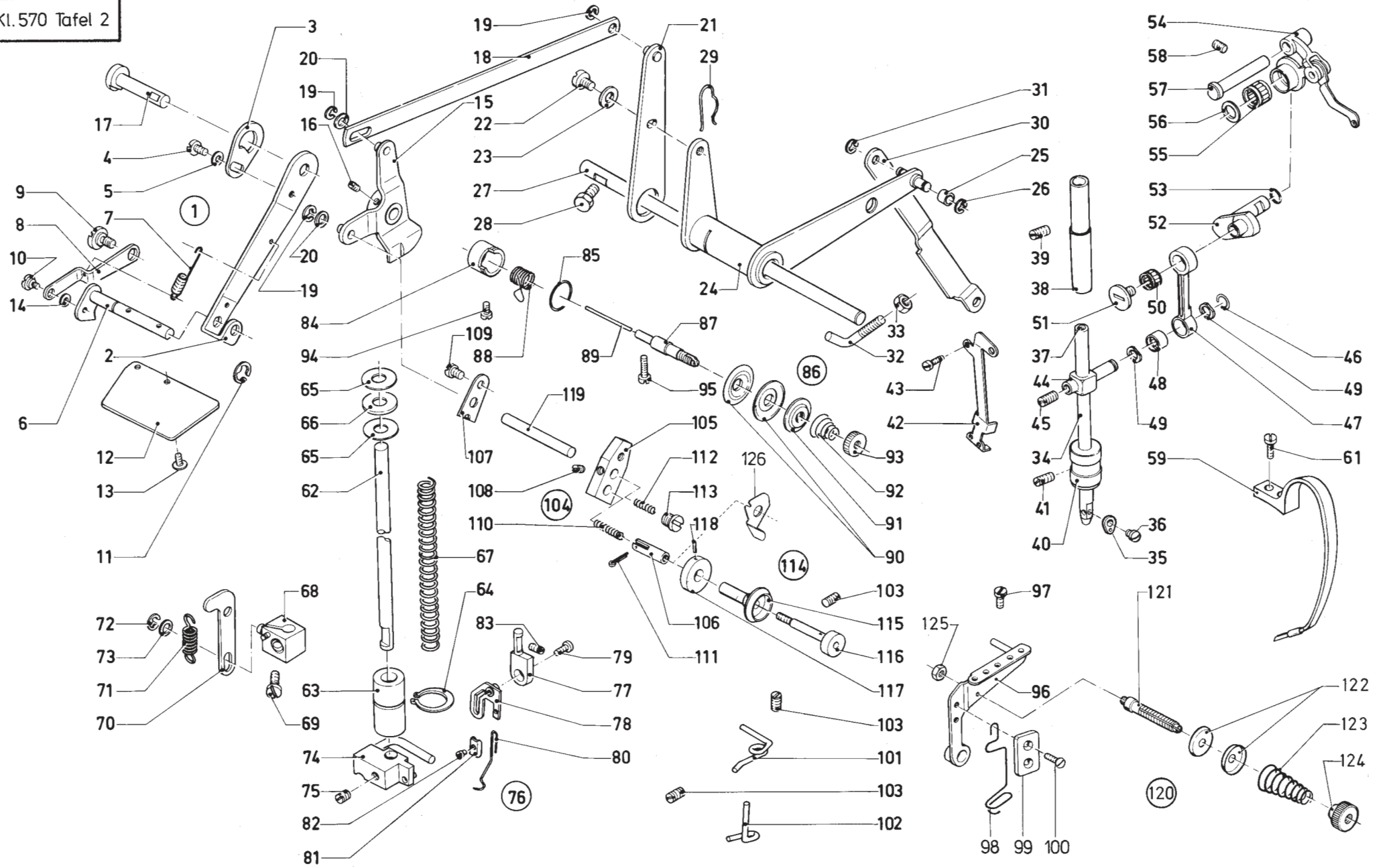
|                         |  |
|-------------------------|--|
| <b>Base type</b>        | <b>from table 1 to 8 and 10</b>            |
| <b>Accessories</b>      | <b>table 9</b>                             |
| <b>class 570-115611</b> | <b>table 12 and 13, 18</b>                 |
| <b>class 570-122800</b> | <b>table 14, 15, 17, 18</b>                |
| <b>class 570-122811</b> | <b>table 12, 14, 15, 17, 18</b>            |
| <b>class 570-123611</b> | <b>table 12, 14, 15, 17, 18</b>            |
| <b>class 570-124206</b> | <b>table 14, 15, 16, 17, 18</b>            |
| <b>class 570-124211</b> | <b>table 12, 14, 15, 17, 18</b>            |
| <b>class 570-132800</b> | <b>table 3, 14, 15, 17, 18, 19, 20</b>     |
| <b>class 570-132811</b> | <b>table 3, 12, 14, 15, 17, 18, 19, 20</b> |
| <b>class 570-133611</b> | <b>table 3, 12, 14, 15, 17, 18, 19, 20</b> |
| <b>class 570-134211</b> | <b>table 3, 12, 14, 15, 17, 18, 19, 20</b> |
| <b>Thread oiler</b>     | <b>table 11</b>                            |
| <b>Counter</b>          | <b>table 11</b>                            |
| <b>Belt pulleys</b>     | <b>table 22, and 23</b>                    |
| <b>Gauges</b>           | <b>table 21</b>                            |
| <b>Sewing equipment</b> | <b>see annex</b>                           |



| Pos. Det. | Teile Nr. Part No. | Benennung   | Denomination   |
|-----------|--------------------|---|--|
| 1         | 57034              | Armwelle  | Arm shaft  |
| 2         | 57041              | Kurbel<br>(mit Pos. 3 bis 8)                              | Crank<br>(with pos. 3 up to 8)                               |
| 3         | 57044              | Zyl.-Schraube   | Cyl. head screw  |
| 4         | 223700             | Zyl.-Schraube   | Cyl. head screw  |
| 5         | 5691895            | Scheibe   | Washer   |
| 6         | 57055              | Gewindestift  | Threaded stud  |
| 7         | 223237             | Gewindestift  | Threaded stud  |
| 8         | 57043              | Paßfeder  | Fitting key  |
| 9         | 211302             | Armlager<br>(mit Pos. 10,11,12,13)                        | Arm bearing<br>(with pos.10,11,12,13)                        |
| 10        | 211305a            | Filzstopfen   | Felt plug  |
| 11        | 211306a            | Ring  | Ring   |
| 12        | 211306b            | Federring   | Spring washer  |
| 13        | 211305b            | Öldocht   | Oil wick   |
| 14        | 211309             | Schlauch kpl.   | Hose cpl.  |
| 15        | 21642              | Gewindestift  | Threaded stud  |
| 16        | 570258             | Stellring kpl.<br>(mit Pos. 17)                           | Set collar cpl.<br>(with pos. 17)                            |
| 17        | 42084              | Gewindestift  | Threaded stud  |
| 18        | 57025              | Armwellenlager Mitte                                      | Central arm shaft bearing                                    |
| 19        | 21642              | Gewindestift  | Threaded stud  |
| 20        | 57026              | Topf mit Ölfilz   | Pot with oil felt  |
| 21        | 21698              | Zyl.-Schraube   | Cyl. head screw  |
| 22        | 422297             | Filzteil  | Felt   |
| 23        | 57046              | Ring  | Ring   |
| 24        | 223676             | Zyl.-Schraube   | Cyl. head screw  |
| 25        |                    | Schnecke mit Pos. 26 *                                    | Worm with pos. 26 *  |
| 26        |                    | Gewindestift *  | Threaded stud *  |
| 27        | 570491             | Bremsstück kpl.<br>(best. aus Pos. 28, 29;<br>30, 31, 32) | Brake piece cpl.<br>(consist. of pos. 28, 29,<br>30, 31, 32) |
| 28        | 570492             | Bremsstück  | Brake piece  |
| 29        | 211361             | Kugellager  | Ball bearing   |
| 30        | 211362             | Sicherungsring  | Safety ring  |
| 31        | 570495             | Schraube  | Screw  |
| 32        | 570497             | Scheibenfeder   | Disc spring  |
| 33        | 5561181            | Kupplungsscheibe  | Coupling disc  |
| 34        | 5561184            | Zyl.-Schraube   | Cyl. head screw  |
| 35        | 5561189            | Riemenscheibe   | Belt disc  |
| 36        | 570542             | Bolzen  | Bolt   |
| 37        | 211100a            | Sicherungsring  | Safety ring  |
| 38        | 5709               | Filzteil im Arm   | Felt in arm  |

| Pos. Det. | Teile Nr. Part No. | Benennung                                  | Denomination                               |
|-----------|--------------------|--|--|
| 39        | 911139             | Verschlußkappe                             | Cap  |
| 40        | 911150             | Verschlußkappe                             | Cap  |
| 41        | 570795             | Zugstange<br>(mit Pos. 42, 43<br>und 44)   | Draw bar<br>(with pos. 42, 43<br>and 44)   |
| 42        | 902446             | Zyl.-Schraube                              | Cyl.-head screw                            |
| 43        | 570800             | Kerbstift                                  | Grooved pin                                |
| 44        | 902602             | Zyl.-Schraube                              | Cyl. head screw                            |
| 45        | 570802             | Lagerbuchse                                | Bearing bush                               |
| 46        | 570780             | Schaukelgabel                              | Swinging fork                              |
| 47        | 570801             | Bolzen                                     | Bolt                                       |
| 48        | 570784             | Achse                                      | Axle                                       |
| 49        | 21131              | Zyl.-Schraube                              | Cyl. head screw                            |
| 50        | 720589             | Gewindestift                               | Threaded stud                              |
| 51        | 570791             | Stellring kpl.<br>(mit Pos. 52)            | Set collar cpl.<br>(with pos. 52)          |
| 52        | 223646             | Gewindestift                               | Threaded stud                              |
| 53        | 570803             | Ölfilz                                     | Oil felt                                   |
| 54        | 216120             | Zyl.-Schraube                              | Cyl. head screw                            |
| 55        | 5691895            | Scheibe                                    | Washer                                     |
| 56        | 570808             | Filzteil im Zylinder                       | Felt in cylinder                           |
| 57        | 570808a            | Filzteil im Zylinder                       | Felt in cylinder                           |
| 58        | 570809             | Halteblech                                 | Holding plate                              |
| 59        | 216120             | Zyl.-Schraube                              | Cyl. head screw                            |
| 60        | 570769             | Treiberkurbel kpl.<br>(mit Pos. 61 und 63) | Driver crank cpl.<br>(with pos. 61 and 63) |
| 61        | 223646             | Gewindestift                               | Threaded stud                              |
| 63        | 91144              | 6kt.-Schraube                              | Hexagonal screw                            |
| 64        | 570746             | Lager                                      | Bearing                                    |
| 65        | 21642              | Gewindestift                               | Threaded stud                              |
| 66        | 570751a            | Scheibe                                    | Washer                                     |
| 67        | 558399             | Stellring kpl.<br>(mit Pos. 68)            | Set collar cpl.<br>(with pos. 68)          |
| 68        | 147203             | Gewindestift                               | Threaded stud                              |
| 69        | 570755             | Treiberwelle                               | Driver shaft                               |
| 70        | 570750k            | Greifergehäuse                             | Hook housing                               |
| 71        | 570756             | Greifertreiber<br>(mit Pos. 72)            | Hook driver<br>(with pos. 72)              |
| 72        | 265565             | Zyl.-Schraube                              | Cyl. head screw                            |
| 73        | 570985             | Greiferbahnring                            | Hook line ring                             |
| 74        | 570986             | Fadenleitblech                             | Thread guide plate                         |
| 75        | 570934             | Zyl.-Schraube                              | Cyl. head screw                            |
| 76        | 570988             | Zyl.-Schraube                              | Cyl. head screw                            |
| 77        | 5701018            | Greiferdeckel                              | Hook cover                                 |

| Pos. Det. | Teile Nr. Part No. | Benennung                                      | Denomination                                   |
|-----------|--------------------|--|--|
| 78        | 5701021            | Druckfeder                                     | Pressure spring                                |
| 79        | 5701022            | Zyl.-Schraube                                  | Cyl. head screw                                |
| 80        | 5701241a           | Greifer kpl.<br>(best. aus Pos. 81<br>und 82)  | Hook cpl.<br>(consisting of pos. 81<br>and 82) |
| 81        | 5701242            | Greifer  | Hook   |
| 82        | 5701243a           | Spulengehäuse kpl.<br>(mit Pos. 83—89)         | Bobbin case cpl.<br>(with pos. 83 up to 89)    |
| 83        | 5701245            | Schieber                                       | Slide  |
| 84        | 5701249            | Druckfeder                                     | Pressure spring                                |
| 85        | 5701250            | Zyl.-Schraube                                  | Cyl. head screw                                |
| 86        | 5701011            | Spannungsfeder                                 | Tension spring                                 |
| 87        | 5701252            | Senkschraube                                   | Countersunk screw                              |
| 88        | 5701253            | Bremsfeder                                     | Brake spring                                   |
| 89        | 5701256            | Senkschraube                                   | Countersunk screw                              |
| 90        | 5701015            | Spule  | Bobbin   |
| X         | 57092920           | Fadenleitblech<br>(siehe Tafel 4,<br>Pos. 118) | Thread guide<br>(see table 4, pos. 118)        |
| 91        | 57010              | Blattfeder                                     | Leaf spring                                    |
| 92        | 216601             | Zyl.-Schraube                                  | Cyl. head screw                                |
|           |                    | * Schnecken siehe<br>Unterklassen              | * Worms see<br>subclasses                      |



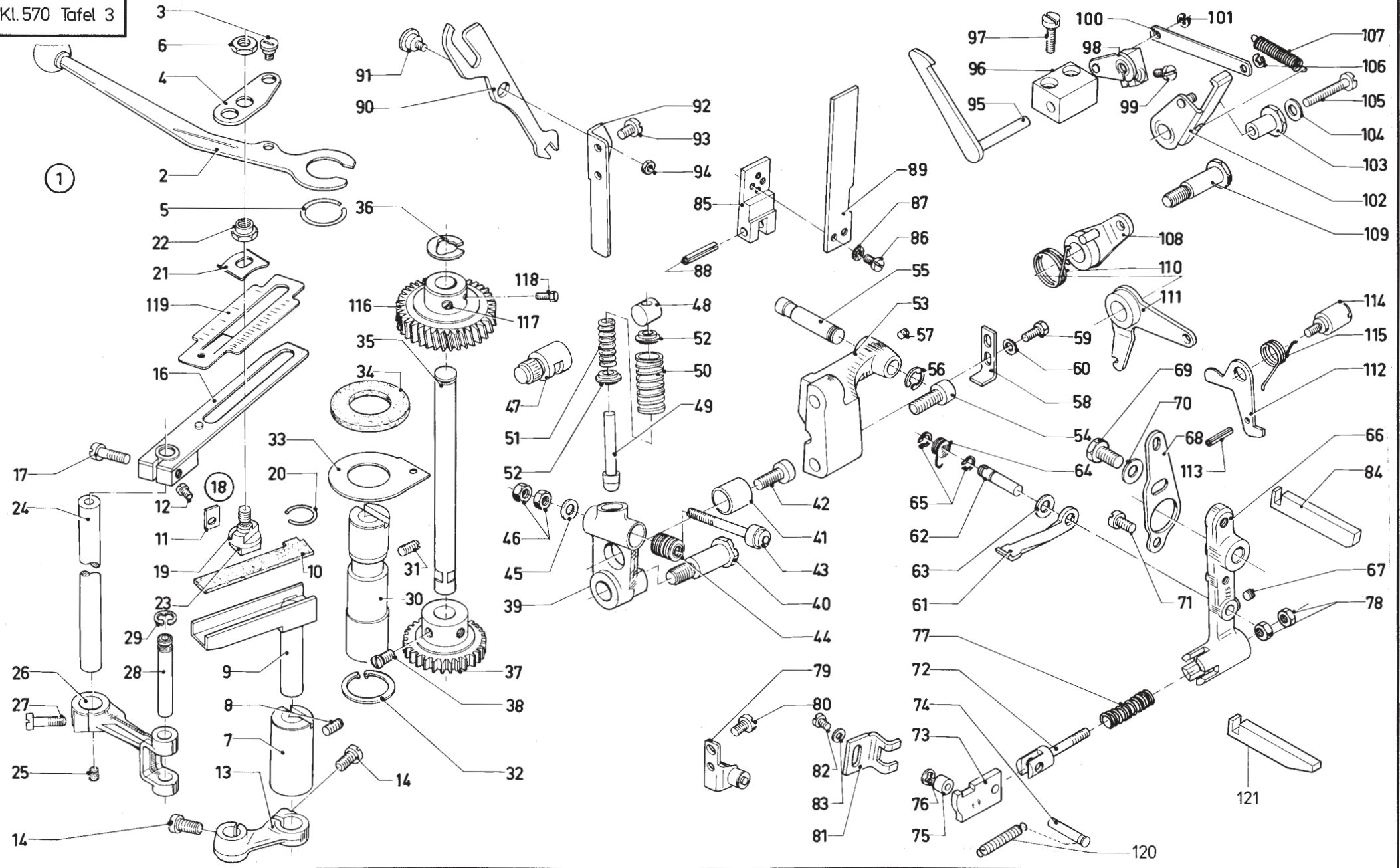


| Pos. Det. | Teile Nr. Part No. | Benennung                                       | Denomination   |
|-----------|--------------------|---|--|
| 1         | 570695             | Augenschutz kompl. best. aus Pos. 2 bis Pos. 14 | Eye protection device cpl. consisting of pos. 2 up to 14 |
| 2         | 570696             | Trägerblech                                     | Carrier plate  |
| 3         | 570699             | Anschlagblech                                   | Stop plate   |
| 4         | 216573             | Zylinderschraube                                | Cyl. head screw  |
| 5         | 5691895            | Scheibe   | Washer   |
| 6         | 570704a            | Achse   | Shaft  |
| 7         | 570707a            | Zugfeder  | Draw spring  |
| 8         | 570708             | Haltewinkel                                     | Angular holder   |
| 9         | 570709             | Schraube  | Screw  |
| 10        | 420368             | Schraube  | Screw  |
| 11        | 93002119           | Sicherungsring                                  | Safety ring  |
| 12        | 570711a            | Augenschutz                                     | Eye protector  |
| 13        | 219353             | Linsenschraube                                  | Fillister head screw                                     |
| 14        | 216315             | Scheibe   | Washer   |
| 15        | 570129             | Winkelhebel vorn mit Pos. 16                    | Bent lever in front with pos. 16                         |
| 16        | 223237             | Gew.-Stift                                      | Threaded stud  |
| 17        | 570136             | Lagerbolzen                                     | Bearing bolt   |
| 18        | 570137             | Zugstange                                       | Draw bar   |
| 19        | 570138             | Sicherungsring                                  | Safety ring  |
| 20        | 052737c            | Scheibe   | Washer   |
| 21        | 570462             | Lasche  | Shackle  |
| 22        | 702229             | Zylinderschraube                                | Cyl. head screw  |
| 23        | 557263             | Scheibe   | Washer   |
| 24        | 570452             | Lüfterhebel mit Pos. 25 u. 26                   | Lifter lever with pos. 25 + 26                           |
| 25        | 570459             | Rolle   | Roll   |
| 26        | 570138             | Sicherungsring                                  | Safety ring  |
| 27        | 570472             | Achse   | Shaft  |
| 28        | 246984             | Sechskantschraube                               | Hexagonal screw  |
| 29        | 570475             | Feder   | Spring   |
| 30        | 570477             | Zugstange                                       | Draw bar   |
| 31        | 570138             | Sicherungsring                                  | Safety ring  |
| 32        | 570479             | Anschlagwinkel                                  | Stop square  |
| 33        | MG43/408           | Mutter  | Nut  |
| 34        | 57065              | Nadelstange mit Pos. 35, 36, 37                 | Needle bar with pos. 35, 36, 37                          |
| 35        | 291159             | Fadenführung                                    | Thread guide   |
| 36        | 57071a             | Zylinderschraube                                | Cyl. head screw  |
| 37        | 57010007           | Gummistopfen                                    | Rubber plug  |
| 38        | 211376             | Nadelst.-Buchse oben                            | Upper needle bar bush                                    |
| 39        | 421222             | Gew.-Stift                                      | Threaded stud  |
| 40        | 57062              | Nadelst.-Buchse unten                           | Lower needle bar bush                                    |
| 41        | 421222             | Gew.-Stift                                      | Threaded stud  |
| 42        | 57060              | Dochthalteblech                                 | Wick holding plate                                       |
| 43        | 21698              | Zylinderschraube                                | Cyl. head screw  |
| 44        | 57073a             | Kreuzkopf mit Pos. 45 und 46                    | Crosshead w. pos. 45 and 46                              |

| Pos. Det. | Teile Nr. Part No. | Benennung   | Denomination  |
|-----------|--------------------|---|---|
| 45        | 223646             | Gew.-Stift  | Threaded stud   |
| 46        | 211395             | Sprengring  | Spring ring   |
| 47        | 211390k            | Zugstange mit Pos. 48, 49                                   | SDraw bar with pos. 48, 49                                      |
| 48        | 211208             | Nadellager  | Needle bearing  |
| 49        | 211391a            | Scheibe   | Washer  |
| 50        | 211397             | Nadelkäfig  | Needle cage   |
| 51        | 211398             | Schraube  | Screw   |
| 52        | 57049k             | Kurbelzapfen  | Crank pin   |
| 53        | 211331             | Dichtungsring   | Gasket ring   |
| 54        | 57092976           | Fadenhebel  | Thread lever  |
| 55        | 211408             | Nadelkranz  | Needle holder   |
| 56        | 10059201           | Scheibe   | Washer  |
| 57        | 570101             | Fadenheb.-Bolzen  | Thread lever bolt   |
| 58        | 223245             | Gew.-Stift  | Threaded stud   |
| 59        | 265379             | Fadenhebelschutz  | Thread lever protector  |
| 61        | 21688              | Zylinderschraube  | Cyl. head screw   |
| 62        | 570116             | Lüfterstange  | Lifting rod   |
| 63        | 570112             | Buchse  | Bush  |
| 64        | 570114             | Sicherungsring  | Safety ring   |
| 65        | 570117             | Scheibe   | Washer  |
| 66        | 570118             | Scheibe   | Washer  |
| 67        | 570119             | Druckfeder  | Pressure spring   |
| 68        | 570121             | Kloben mit Pos. 69  | Block with pos. 69  |
| 69        | 213370             | Zylinderschraube  | Cyl. head screw   |
| 70        | 570141             | Zuglasche   | Draw shackle  |
| 71        | 570143             | Zugfeder  | Draw spring   |
| 72        | 570138             | Sicherungsring  | Safety ring   |
| 73        | 052737c            | Scheibe   | Washer  |
| 74        | 5702171            | Lüfterkloben mit Pos. 75                                    | Lifting block with pos. 75                                      |
| 75        | 223646             | Gew.-Stift  | Threaded stud   |
| 76        | 570361             | Fadenzieher kompl. best. aus Pos. 77, 78, 79, 80, 81 und 82 | Thread puller cpl. consisting of pos. 77, 78, 79, 80, 81 and 82 |
| 77        | 570362             | Kloben  | Block   |
| 78        | 570365             | Fadenziehblech  | Thread pull-in plate  |
| 79        | 911339             | Zylinderschraube  | Cyl. head screw   |
| 80        | 570727             | Fadenziehdraht  | Thread pull-wire  |
| 81        | 570370             | Führungsblech   | Guide plate   |
| 82        | 913754             | Zylinderschraube  | Cyl. head screw   |
| 83        | 2235047            | Gew.-Stift  | Threaded stud   |
| 84        | 211473             | Anschlaghülse in Arm  | Stop sleeve in arm  |
| 85        | 570174a            | Federring   | Spring ring   |
| 86        | 750171             | Fadenspannung mit Pos. 87, 88, 89, 90, 91, 92, 93           | Thread tension with pos. 87, 88, 89, 90, 91, 92, 93             |
| 87        | 211471             | Spannungsbolzen   | Tension bolt  |
| 88        | 570176             | Regulatorfeder  | Regulator spring  |
| 89        | 211476             | Auslösestift  | Releasing pin   |

| Pos. Det. | Teile Nr. Part No. | Benennung   | Denomination   |
|-----------|--------------------|---|--|
| 90        | 204136             | Spannungsscheibe  | Tension disc   |
| 91        | 114202             | Stegscheibe   | Stay disc  |
| 92        | 00479              | Spannungsfeder  | Tension spring   |
| 93        | 211482             | Rändelmutter  | Knurled nut  |
| 94        | 211393             | Zylinderschraube  | Cyl. head screw  |
| 95        | 21646              | Zylinderschraube  | Cyl. head screw  |
| 96        | 570188             | Fadenführung  | Thread guide   |
| 97        | 21646              | Zylinderschraube  | Cyl. head screw  |
| 98        | 57092991           | Fadenführung  | Thread guide   |
| 99        | 57092992           | Platte  | Plate  |
| 100       | 911291             | Senkschraube  | Countersunk screw  |
| 101       | 570196             | Fadenführungshaken  | Central thread guide   |
| 102       | 570201             | Fadenführungshaken  | Central thread guide   |
| 103       | 216589             | Gewindestift  | Threaded stud  |
| 104       | 570147             | Kloben kompl. best. aus Pos. 105, 106, 107, 108, 109, 110 und 111 | Block cpl. consisting of pos. 105, 106, 107, 108, 109, 110 and 111 |
| 105       | 570148             | Kloben  | Block  |
| 106       | 570149             | Hülse   | Sleeve   |
| 107       | 570150             | Blattfeder  | Leaf spring  |
| 108       | 421222             | Gewindestift  | Threaded stud  |
| 109       | 21698              | Zylinderschraube  | Cyl. head screw  |
| 110       | 5572306            | Druckfeder  | Pressure spring  |
| 111       | 570154             | Splint  | Split pin  |
| 112       | MG41/4259a         | Druckfeder  | Pressure spring  |
| 113       | 570156             | Zylinderschraube  | Cyl. head screw  |
| 114       | 570159             | Fadenklemme kompl. best. aus Pos. 115, 116, 117, 118              | Thread binder cpl. consisting of pos. 115, 116, 117, 118           |
| 115       | 570160             | Fadenklemme   | Thread binder  |
| 116       | 570161             | Druckbolzen   | Set bolt   |
| 117       | 570164             | Klemmscheibe  | Clamping disc  |
| 118       | 570165             | Paßkerbstift  | Half length taper g grooved dowel pin bolt                         |
| 119       | 570146             | Bolzen  | bolt   |
| 120       | 57092963           | Fadenspannung kompl. mit Pos. 121, 122, 123, 124 und 125          | Thread tension compl. with pos. 121, 122, 123, 124 and 125         |
| 121       | 57092964           | Spannungssachse   | Tension shaft  |
| 122       | 650186             | Spannungsscheibe  | Tension disc   |
| 123       | 557635             | Feder   | Spring   |
| 124       | 5584232            | Mutter  | Nut  |
| 125       | 5511824            | Sechskantmutter   | Hexagonal nut  |
| 126       | 570166             | Fadenhaltewinkel *  | Thread holding angle *   |

\* Nur für monofilen Faden \* For monofilen thread only





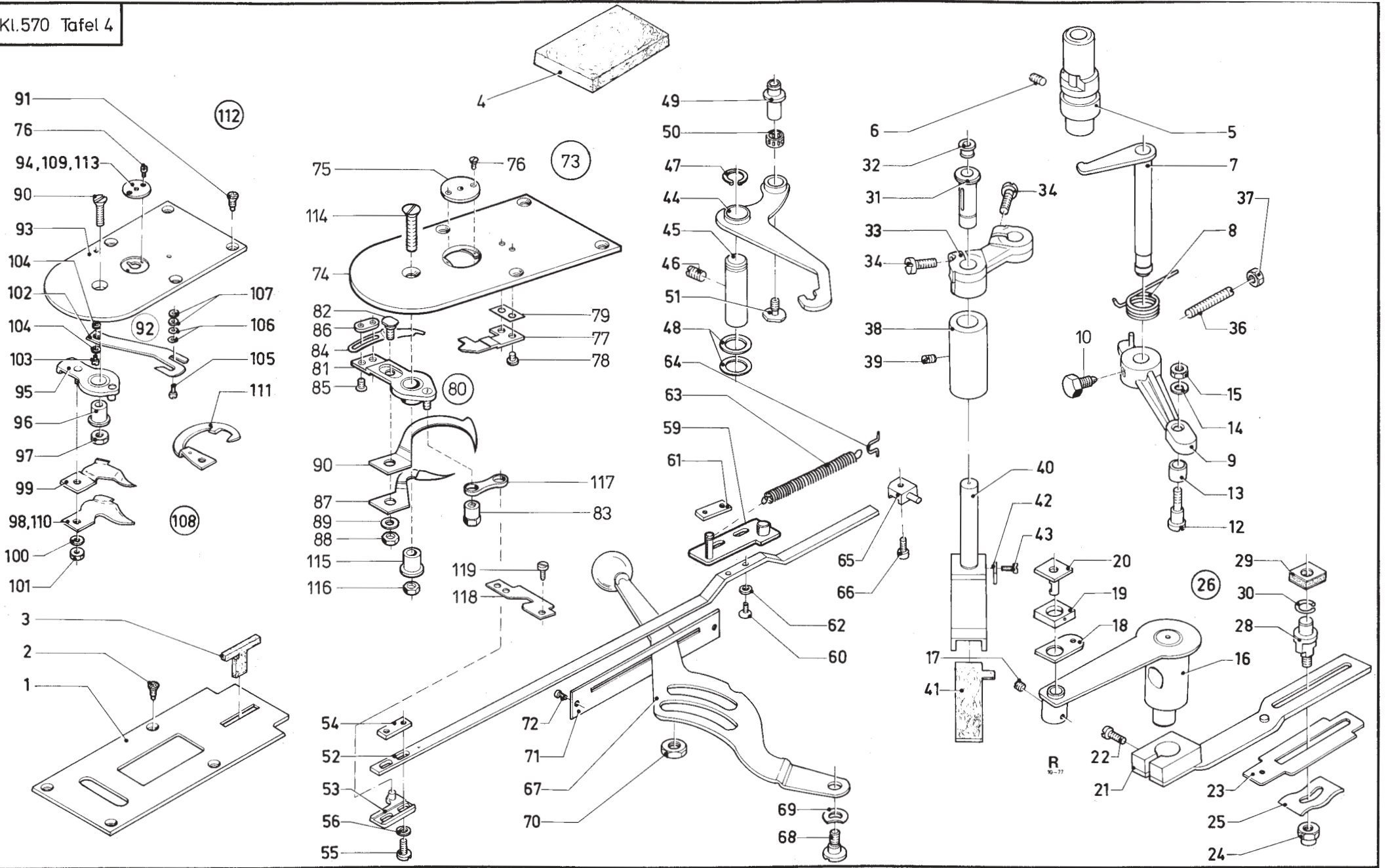
| Pos. Det. | Teile Nr. Part No. | Benennung  | Denomination   |
|-----------|--------------------|--|--|
| 1         | 5701281            | Schnellverstellung kompl. oben best. aus Pos. 2 bis Pos. 6 | Quick screwed connection at the top, consisting of pos. 2 up to pos. 6 |
| 2         | 5701283k           | Hebel  | Lever  |
| 3         | 5701284            | Ansatzschraube   | Shoulder screw   |
| 4         | 5701285            | Lasche   | Shackle  |
| 5         | 5101286            | Halbmondtring  | Crescent shaped ring   |
| 6         | 5701287            | Sechskantmutter  | Hexagonal nut  |
| 7         | 570401             | Lagerbuchse  | Bearing bush   |
| 8         | 223245             | Gew.-Stift   | Threaded stud  |
| 9         | 570404             | Kulisse mit Pos. 10  | Crank with pos. 10   |
| 10        | 570408             | Ölfilz   | Oil felt   |
| 11        | 570409             | Halteblech   | Holding plate  |
| 12        | 223676             | Zylinderschraube   | Cyl. head screw  |
| 13        | 570411             | Klemmhebel mit Pos. 14,                                    | Clamping lever with pos. 14.   |
| 14        | 650292             | Zylinderschraube   | Cyl. head screw  |
| 16        | 570421             | Hebel mit Pos. 17  | Lever with pos. 17   |
| 17        | 650347             | Zylinderschraube   | Cyl. head screw  |
| 18        | 570427             | Gleitstein kpl. (mit Pos. 19, 20, 21, 22 und 23)           | Sliding block cpl. (with pos. 19, 20, 21, 22 and 23)                   |
| 19        | 570428             | Stellbolzen  | Set bolt   |
| 20        | 570430             | Sprengtring  | Spring ring  |
| 21        | 570432a            | Federblech   | Spring plate   |
| 22        | 570433             | Ansatzmutter   | Shoulder nut   |
| 23        | 570431             | Gleitstein   | Sliding block  |
| 24        | 570436             | Welle  | Spindle  |
| 25        | 216117             | Gummistopfen   | Rubber plug  |
| 26        | 570440             | Gabelhebel mit Pos. 27                                     | Forked lever with pos. 27  |
| 27        | 650347             | Zylinderschraube   | Cyl. head screw  |
| 28        | 570445             | Bolzen   | Bolt   |
| 29        | 93002119           | Sicherungsring   | Safety ring  |
| 30        | 570275             | Lagerbuchse  | Bearing bush   |
| 31        | 223245             | Gew.-Stift   | Threaded stud  |
| 32        | 72332              | Sicherungsring   | Safety ring  |
| 33        | 570278a            | Dochthalteblech  | Wick holding plate   |
| 34        | 570280             | Filzteil   | Felt   |
| 35        | 570290             | Welle  | Spindle  |
| 36        | 216656             | Sicherungsring   | Safety ring  |
| 37        | 570301             | Zahnrad kompl. mit Pos. 38                                 | Gearwheel cpl. with pos. 38  |

| Pos. Det. | Teile Nr. Part No. | Benennung          | Denomination           |
|-----------|--------------------|--------------------|------------------------|
| 38        | 21668a             | Gew.-Stift         | Threaded stud          |
| 39        | 570577a            | Hebel              | Lever                  |
| 40        | 570578             | Ansatzschraube     | Shoulder screw         |
| 41        | 570579             | Buchse             | Bush                   |
| 42        | 74421026           | Zylinderschraube   | Cyl. head screw        |
| 43        | 570582             | Druckbolzen        | Pressure bolt          |
| 44        | 933587             | Tellerfeder        | Cup spring             |
| 45        | 557263             | Scheibe            | Washer                 |
| 46        | 216660             | Sechskantmutter    | Hexagonal nut          |
| 47        | 570588             | Aufnahmebolzen     | Retaining bolt         |
| 48        | 570590             | Führungsstück      | Guide piece            |
| 49        | 570592             | Druckbolzen        | Pressure bolt          |
| 50        | 5561276            | Druckfeder groß    | Pressure spring, big   |
| 51        | 5561277            | Druckfeder klein   | Pressure spring, small |
| 52        | 5561278            | Federteller        | Spring collar          |
| 53        | 570521k            | Führungsbock       | Guide support          |
| 54        | 911376             | Zylinderschraube   | Cyl. head screw        |
| 55        | 570533             | Bolzen             | Bolt                   |
| 56        | 216656             | Sicherungsring     | Safety ring            |
| 57        | 421222             | Gew.-Stift         | Threaded stud          |
| 58        | 570526             | Winkelblech        | Angular plate          |
| 59        | 21267              | Sechskantschraube  | Hexagonal screw        |
| 60        | 024275             | Scheibe            | Washer                 |
| 61        | 570545             | Klinke             | Pawl                   |
| 62        | 570546             | Ansatzbolzen       | Shoulder bolt          |
| 63        | 241320             | Scheibe            | Washer                 |
| 64        | 570549             | Drehfeder          | Torsion spring         |
| 65        | 10019236           | Sicherungsring     | Safety collar          |
| 66        | 570532             | Kupplungshebel     | Clutch lever           |
| 67        | 21652              | Gew.-Stift         | Threaded stud          |
| 68        | 570536             | Verbindungsblech   | Connecting plate       |
| 69        | MG43/36            | Sechskantschraube  | Hexagonal screw        |
| 70        | 72043              | Scheibe            | Washer                 |
| 71        | 2401027            | Zylinderschraube   | Cyl. head screw        |
| 72        | 570556             | Gelenkbolzen       | Articulated bolt       |
| 73        | 570557k            | Klinke mit Pos. 74 | Pawl with pos. 74      |
| 74        | 570561             | Zylinderstift      | Cylinder pin           |
| 75        | 570572             | Rolle              | Roll                   |
| 76        | 570138             | Sicherungsring     | Safety collar          |
| 77        | 570563             | Druckfeder         | Pressure spring        |
| 78        | MG43/408           | Sechskantmutter    | Hexagonal nut          |
| 79        | 570566             | Anschlagwinkel     | Stop angular           |
| 80        | 702229             | Zylinderschraube   | Cyl. head screw        |
| 81        | 570606             | Verstellwinkel     | Adjusting square       |

| Pos. Det. | Teile Nr. Part No. | Benennung  | Denomination   |
|-----------|--------------------|--|--|
| 82        | 270631             | Zylinderschraube   | Cyl. head screw  |
| 83        | 902514             | Scheibe  | Washer   |
| 84        | 570641             | Schieber   | Slide  |
| 85        | 570603             | Bremsfederhalter   | Brake spring holder  |
| 86        | 270631             | Zylinderschraube   | Cyl. head screw  |
| 87        | 911307             | Sicherungsscheibe  | Safety washer  |
| 88        | 570610             | Spannhülse   | Clamping sleeve  |
| 89        | 570601             | Bremsstößel  | Brake tappet   |
| 90        | 570481             | Messerschubhebel   | Knife push lever   |
| 91        | 570484             | Lagerschraube  | Bearing screw  |
| 92        | 570482             | Haltewinkel  | Angular holder   |
| 93        | 702229             | Zylinderschraube   | Cyl. head screw  |
| 94        | 237202             | Mutter   | Nut  |
| 95        | 570669             | Schaltklinke   | Pawl   |
| 96        | 570668             | Lagerbock  | Bearing support  |
| 97        | 21131              | Zylinderschraube   | Cyl. head screw  |
| 98        | 570672             | Hebel mit Pos. 99  | Lever with pos. 99   |
| 99        | 216123             | Zylinderschraube   | Cyl. head screw  |
| 100       | 570661             | Lasche   | Shackle  |
| 101       | 570138             | Sicherungsring   | Safety collar  |
| 102       | 570651             | Raste  | Catch  |
| 103       | 570655             | Exzenter   | Eccentric  |
| 104       | 557263             | Scheibe  | Washer   |
| 105       | 2652018            | Zylinderschraube   | Cyl. head screw  |
| 106       | 570138             | Sicherungsring   | Safety collar  |
| 107       | 5691873            | Zugfeder   | Draw spring  |
| 108       | 570617             | Hebel  | Lever  |
| 109       | 570578             | Sechskantschraube  | Hexagonal screw  |
| 110       | 570621             | Drehfeder  | Torsion spring   |
| 111       | 570612             | Hebel  | Lever  |
| 112       | 570631             | Sperrriegel mit Pos. 113   | Safety bolt with pos.113   |
| 113       | 93019210           | Spannhülse   | Clamping sleeve  |
| 114       | 570635             | Ansatzschraube   | Shoulder screw   |
| 115       | 570636             | Drehfeder  | Torsion spring   |
| 116       |                    | Schneckenrad mit Pos. 117 und 118 (siehe E Einrichtungen Katalog-anhang) | Worm gear with pos. 117 and 118 (see "E"-equipments in annex of catalogue) |
| 117       | 223646             | Gew.-Stift   | Threaded stud  |
| 118       | 570304             | Sechskantschraube  | Hexagonal screw  |
| 119       |                    | Anschlagblech (siehe E Einricht. Kataloganhang)                          | Stop plate   |
| 120       | 570552             | Feder  | Spring   |
| 121       | 57017404           | Hebel *  | Lever *  |

\* Für Kl. 570-132800, -132811,-133611,-134211 \* For Cl. 570-132800, -132811,-133611,-134211

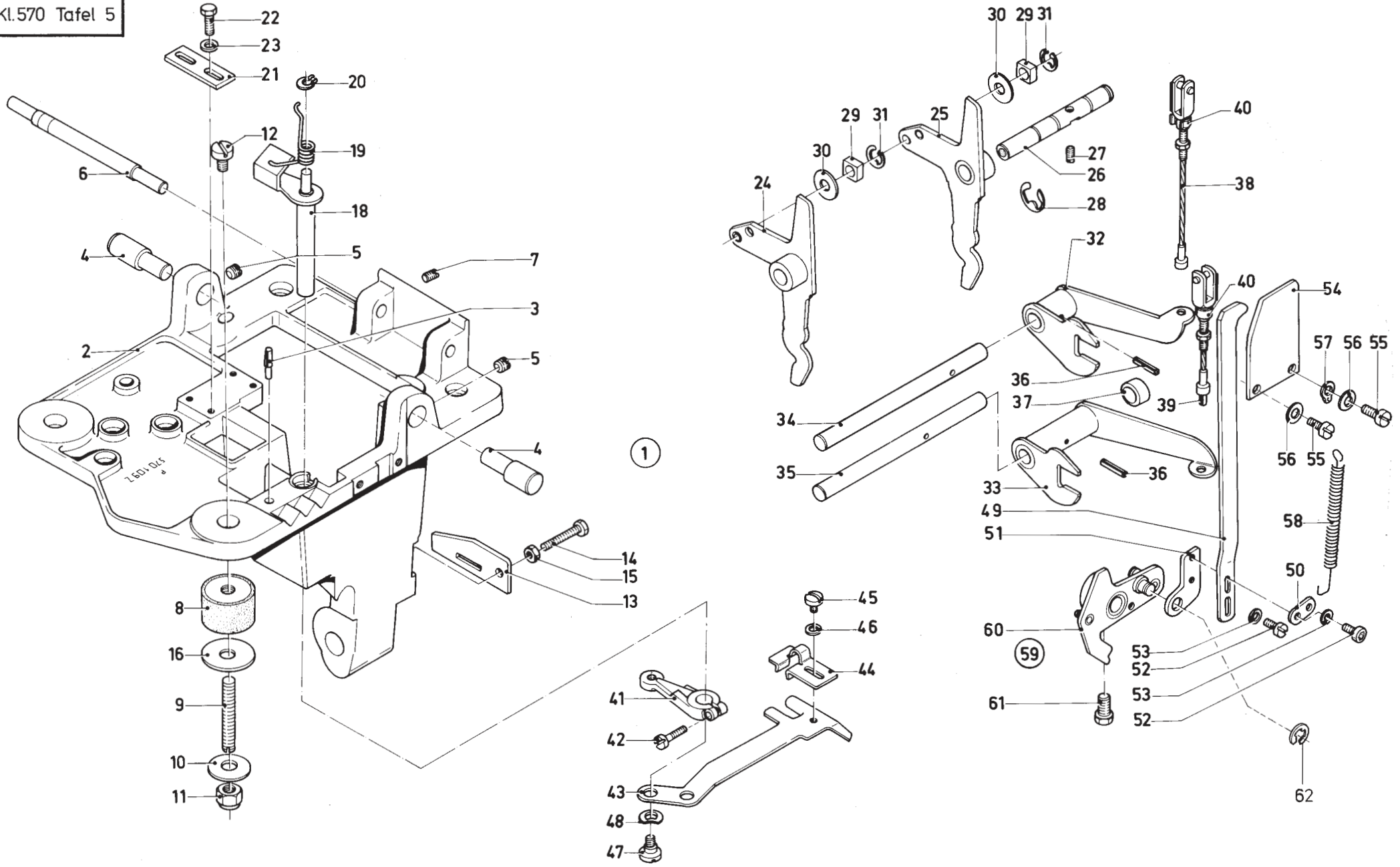




| Pos. Det. | Teile Nr. Part No. | Benennung                                       | Denomination  |
|-----------|--------------------|---|---|
| 1         | 570862             | Abdeckplatte                                    | Cover plate   |
| 2         | 216134             | Senkschraube                                    | Countersunk screw                                       |
| 3         | 570858             | Ölleder   | Oil leather   |
| 4         | 570859             | Filtzteil in Zylinder unten                     | Felt in cylinder below                                  |
| 5         | 570865             | Lagerbuchse                                     | Bearing bush  |
| 6         | 223245             | Gew.-Stift                                      | Threaded stud   |
| 7         | 570884             | Schalthebel                                     | Control lever   |
| 8         | 570882             | Drehfeder                                       | Torsion spring  |
| 9         | 570867             | Zwischenhebel vollst. mit Pos. 10               | Intermediata lever cpl. with pos. 10                    |
| 10        | MG43/404           | Sechskantschraube                               | Hexagonal screw   |
| 12        | 570877             | Ansatzschraube                                  | Shoulder screw  |
| 13        | 570878             | Rolle   | Roll  |
| 14        | 557263             | Scheibe   | Washer  |
| 15        | MG43/408           | Sechskantmutter                                 | Hexagonal nut   |
| 16        | 570845             | Schwenkhebel mit Pos. 17                        | Swinging lever with pos. 17                             |
| 17        | 223646             | Gew.-Stift                                      | Threaded stud   |
| 18        | 570853             | Scheibe   | Washer  |
| 19        | 570854a            | Gleitstein                                      | Sliding block   |
| 20        | 570855k            | Bolzen  | Bolt  |
| 21        | 570831             | Hebel mit Pos. 22                               | Lever with pos. 22                                      |
| 22        | 650347             | Zylinderschraube                                | Cyl. head screw   |
| 23        |                    | Anschlagblech siehe E-Einrichtung Kataloganhang | Stop plate, see "E"-equipment in the annex of catalogue |
| 24        | 570433             | Ansatzmutter                                    | Shoulder nut  |
| 25        | 570432a            | Federblech                                      | Spring plate  |
| 26        | 570427             | Gleitstein vollst. best. aus Pos. 24, 25 und 28 | Sliding block cpl. consisting of pos. 24, 25 and 28     |
| 28        | 570428             | Stellbolzen mit Pos. 29 und 30                  | Set bolt with pos. 29 and 30                            |
| 29        | 570431             | Gleitstein                                      | Sliding block   |
| 30        | 570430             | Sprengring                                      | Retaining ring  |
| 31        | 570416             | Rollenbolzen                                    | Roller bolt   |
| 32        | 21113              | Gummimuffe                                      | Rubber bushing  |
| 33        | 570411             | Klemmhebel mit Pos. 34                          | Clamping lever with pos. 34                             |
| 34        | 650292             | Zylinderschraube                                | Cyl. head screw   |
| 36        | 570664             | Gew.-Stift                                      | Threaded stud   |
| 37        | MG43/408           | Sechskantmutter                                 | Hexagonal nut   |
| 38        | 570811             | Lagerbuchse unten                               | Lower bearing bush                                      |
| 39        | 223245             | Gewindestift                                    | Threaded stud   |
| 40        | 570404             | Kulisse mit Pos. 41                             | Crank with pos. 41                                      |
| 41        | 570408             | Ölfiltz   | Oil felt  |
| 42        | 570409             | Halteblech                                      | Holding plate   |
| 43        | 223676             | Zylinderschraube                                | Cyl. head screw   |

| Pos. Det. | Teile Nr. Part No. | Benennung   | Denomination   |
|-----------|--------------------|---|--|
| 44        | 570891             | Antriebshebel   | Driving lever  |
| 45        | 570895             | Bolzen  | Bolt   |
| 46        | 223245             | Gew.-Stift  | Threaded stud  |
| 47        | 211109             | Sicherungsring  | Safety ring  |
| 48        | 91140              | Scheibe   | Washer   |
| 49        | 570901             | Rollenbolzen  | Roller bolt  |
| 50        | 211397             | Nadelkranz  | Needle holder  |
| 51        | 570903             | Deckschraube  | Cover screw  |
| 52        | 570910             | Messerstange  | Knife rod  |
| 53        | 570905k            | Lasche  | Shackle  |
| 54        | 570907             | Bef.-Platte   | Fastening plate  |
| 55        | 216120             | Zylinderschraube                                      | Cyl. head screw  |
| 56        | 5691895            | Scheibe   | Washer   |
| 59        | 57093088           | Lasche  | Shackle  |
| 60        | 21688              | Zylinderschraube                                      | Cyl. head screw  |
| 61        | 570919             | Lasche  | Shackle  |
| 62        | 5691895            | Scheibe   | Washer   |
| 63        | 5561091            | Zugfeder  | Draw spring  |
| 64        | 570923             | Haken   | Clasp  |
| 65        | 570911             | Kloben  | Block  |
| 66        | 570912             | Zylinderschraube                                      | Cyl. head screw  |
| 67        | 5701292k           | Hebel   | Lever  |
| 68        | 5512537            | Ansatzschraube  | Shoulder screw   |
| 69        | 420362             | Federscheibe  | Spring washer  |
| 70        | 5701287            | Sechskantmutter zu Pos. 67 auf Pos. 28                | Hexagonal nut to pos. 67 on pos. 28                              |
| 71        | 5701295            | Skalablech  | Scale plate  |
| 72        | 21698              | Zylinderschraube                                      | Cyl. head screw  |
| 73        | 57092901           | Sichpl. kpl. (best. aus Pos. 74—90 und 114—117)       | Throat plate cpl. (cons. of pos. 74 up to 90 and 114 up to 117)  |
| 74        | 57092904a          | Stichplatte   | Throat plate   |
| 75        |                    | Stichplatteneinsatz siehe E-Einrichtung Kataloganhang | Throat plate insert, see "E"-equipment in the annex of catalogue |
| 76        | 570934             | Senkschraube  | Countersunk screw  |
| 77        | 57092908a          | Messer  | Knife  |
| 78        | 93363984           | Linsenschraube  | Fillister head screw   |
| 79        | 57092909a          | Ausgl.-Blech  | Compensate plate   |
| 80        | 57092911           | Messerträger kpl. (best. aus Pos. 81, 82, 83)         | Knife carrier cpl. (cons. of pos. 81, 82, 83)                    |
| 81        | 57092912a          | Messerträger  | Knife carrier  |
| 82        | 570949             | Bolzen  | Bolt   |
| 83        | 570926             | Mutter  | Nut  |
| 84        | 57092917a          | Gegenmesser   | Counter knife  |
| 85        | 902707             | Senkschraube  | Countersunk screw  |
| 86        | 227596             | Gewindeplatte   | Threaded plate   |
| 87        | 57092921           | Schlingenfänger                                       | Sling catcher  |

| Pos. Det. | Teile Nr. Part No. | Benennung  | Denomination  |
|-----------|--------------------|--|---|
| 88        | 202704             | 6kt.-Mutter  | Hexagonal nut   |
| 89        | 5691895            | Scheibe  | Washer  |
| 90        | 57092925           | Fad.-Abweiser  | Thread repeller   |
| 91        | 216134             | Senkschraube   | Countersunk screw   |
| 92        | 570936k            | Stichplatte vollst. best. aus Pos. 76, 90, 93 bis Pos. 107                               | Throat plate cpl. cons. of pos. 76, 90, 93 up to pos. 107                               |
| 93        | 570938             | Stichplatte  | Throat plate  |
| 94        |                    | Stichplatteneinsatz siehe E-Einrichtungen Kataloganhang                                  | Throat plate insert, see "E"-equipments in the annex of catalogue                       |
| 95        | 570941             | Messerträger   | Knife carrier   |
| 96        | 570938a            | Buchse   | Bush  |
| 97        | MG8/7d             | 6kt.-Mutter  | Nut   |
| 98        | 570961             | Untermesser  | Lower knife   |
| 99        | 570962             | Obermesser   | Upper knife   |
| 100       | 5691895            | Scheibe  | Washer  |
| 101       | 202704             | 6kt.-Mutter  | Nut   |
| 102       | 570974             | Gegenmesser  | Counter knife   |
| 103       | 902670             | Zylinderschraube   | Cyl. head screw   |
| 104       | 055723             | Scheibe  | Washer  |
| 105       | 570978             | Zylinderschraube   | Cyl. head screw   |
| 106       | 5573270            | Distanzscheibe   | Distance washer   |
| 107       | 1005233            | Scheibe  | Washer  |
| 108       | 5702457k           | Stichplatte vollst. best. aus Pos. 76, 90, 93, 94, 95, 96, 97, 99 bis 107, 109, 110, 111 | Throat plate cpl. cons' of pos. 76, 90, 93, 94, 95, 96, 97, 99 up to 107, 109, 110, 111 |
| 109       |                    | Stichplatteneinsatz siehe E-Einrichtungen Kataloganhang                                  | Throat plate insert, see "E"-equipments in the annex of catalogue                       |
| 110       | 570967             | Untermesser  | Lower knife   |
| 111       | 5702454            | Klemmhaken   | Dog   |
| 112       | 57018045k          | Stichplatte vollst. best. aus Pos. 76, 90, 93, 94, 95, 96, 97, 99 bis 107, 110, 111, 113 | Throat plate cpl. cons. of pos. 76, 90, 93, 94, 95, 96, 97, 99 up to 107, 110, 111, 113 |
| 113       |                    | Stichplatteneinsatz siehe E-Einrichtungen Kataloganhang                                  | Throat plate insert, see "E"-equipments in the annex of catalogue                       |
| 114       | 570939a            | Senkschraube   | Countersunk screw   |
| 115       | 570938a            | Buchse   | Bush  |
| 116       | MG8/7d             | 6kt.-Mutter  | Hexagonal nut   |
| 117       | 570924             | Zugstange  | Draw bar  |
| 118       | 570989             | Fadenleitblech   | Thread guide  |
| 119       | 570934             | Zyl.-Schraube  | Cyl. head screw   |



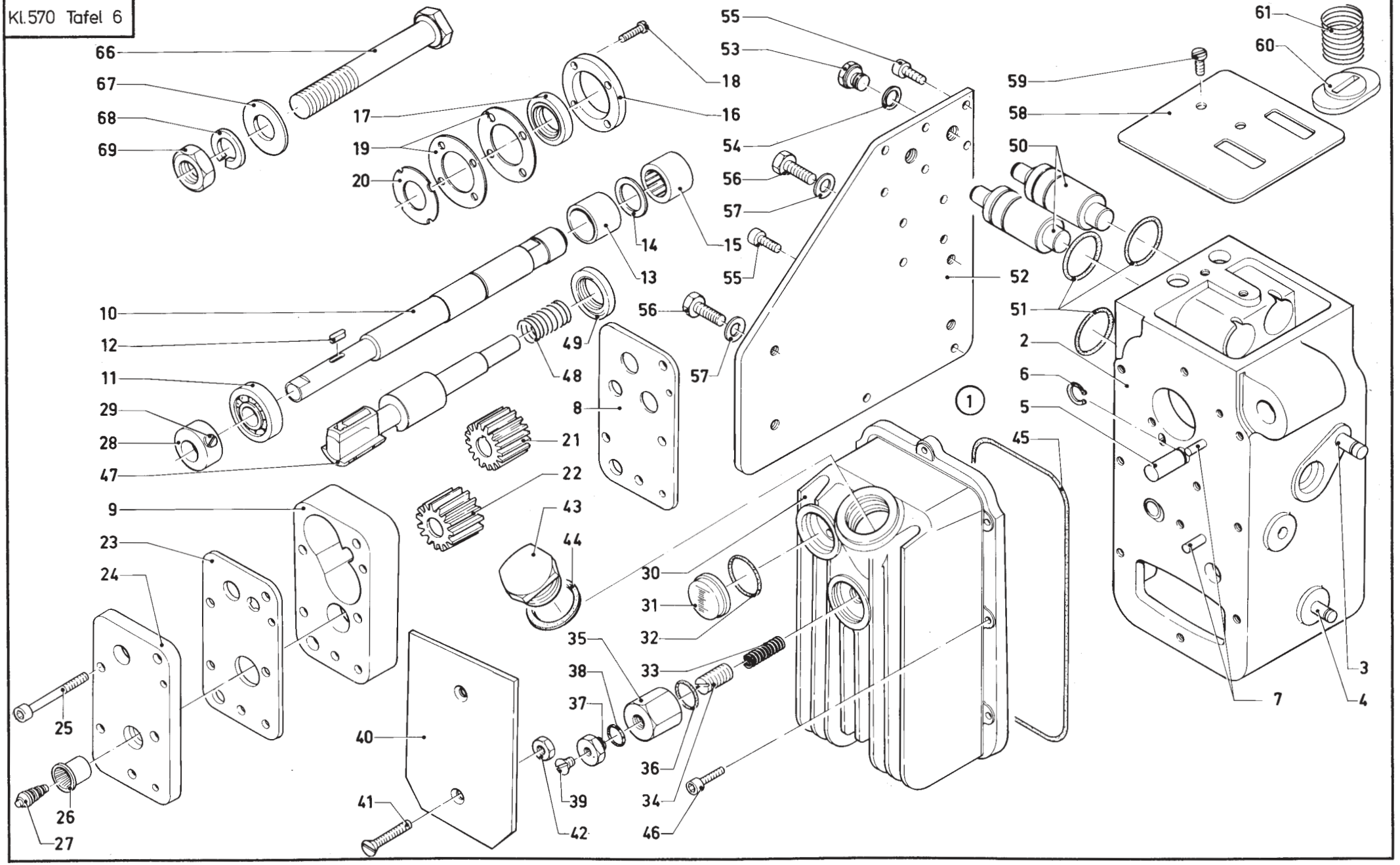


| Pos.<br>Det. | Teile Nr.<br>Part No. | Benennung   | Denomination                                  |
|--------------|-----------------------|---|---|
| 1            | 5701091               | Sockel vollst.<br>best. aus Pos. 2 bis<br>Pos. 58 | Base cpl.<br>cons. of pos. 2 up to<br>pos. 58 |
| 2            | 5701091a              | Sockel mit Pos. 3                                 | Base with pos. 3                              |
| 3            | 421329                | Kerbstift   | Grooved pin                                   |
| 4            | 5701093               | Lagerbolzen                                       | Bearing bolt                                  |
| 5            | 911668                | Gew.-Stift  | Threaded stud                                 |
| 6            | 5701209               | Achse   | Wheel shaft                                   |
| 7            | 223245                | Gew.-Stift  | Threaded stud                                 |
| 8            | 5701197               | Gummipuffer                                       | Rubber buffer                                 |
| 9            | 5701198               | Gew.-Stift  | Threaded stud                                 |
| 10           | 700444                | Scheibe   | Washer  |
| 11           | 5701199a              | Sechskantmutter                                   | Hexagonal nut                                 |
| 12           | MG41/4323             | Zylinderschraube                                  | Cyl. head screw                               |
| 13           | 5701190               | Führungsblech                                     | Guide plate                                   |
| 14           | 5701192               | Sechskantschraube                                 | Hexagonal screw                               |
| 15           | MG43/408              | Sechskantmutter                                   | Hexagonal nut                                 |
| 16           | 5701201               | Ausgleichsscheibe                                 | Compensating washer                           |
| 18           | 5701169               | Schalthebel                                       | Switch lever                                  |
| 19           | 5701173               | Drehfeder   | Torsion spring                                |
| 20           | 5701174               | Sicherungsring                                    | Safety ring                                   |
| 21           | 5701165               | Anschlagblech                                     | Stop plate                                    |
| 22           | 7441658               | Sechskantschraube                                 | Hexagonal screw                               |
| 23           | 557263                | Scheibe   | Washer  |
| 24           | 5701147               | Hebel (Lüftung)                                   | Lever (lifting)                               |
| 25           | 5701152               | Hebel (Einschaltung)                              | Lever (switching-in)                          |
| 26           | 5701156               | Welle mit Pos. 27                                 | Shaft with pos. 27                            |
| 27           | 223245                | Gew.-Stift  | Threaded stud                                 |
| 28           | MG45/138              | Sicherungsring                                    | Safety ring                                   |
| 29           | 5701161               | Gleitstein  | Sliding block                                 |
| 30           | 72043                 | Scheibe   | Washer  |
| 31           | 93002119              | Sicherungsring                                    | Safety ring                                   |
| 32           | 5701101               | Doppelhebel<br>(Einschaltung)                     | Double lever<br>(switching-in)                |
| 33           | 5701129               | Doppelhebel (Lüftung)                             | Double lever (lifting)                        |
| 34           | 5701106               | Welle   | Shaft   |
| 35           | 5701133               | Welle   | Shaft   |
| 36           | 719279                | Spannhülse  | Clamping sleeve                               |
| 37           | 5701134               | Distanzring                                       | Distance ring                                 |
| 38           | 5701111               | Seilzug (Einschaltung)                            | Cable (switching-in)                          |
| 39           | 5701136               | Seilzug (Lüftung)                                 | Cable (lifting)                               |
| 40           | 5701117               | Klemmfeder  | Clamping spring                               |
| 41           | 5701177               | Klemmhebel<br>mit Pos. 42                         | Dog<br>with pos. 42                           |

| Pos.<br>Det. | Teile Nr.<br>Part No. | Benennung                                  | Denomination                           |
|--------------|-----------------------|--|--|
| 42           | P12110                | Zylinderschraube                           | Cyl. head screw                        |
| 43           | 5701183               | Riemengabel vollst.<br>mit Pos. 44, 45, 46 | Belt fork cpl.<br>with pos. 44, 45, 46 |
| 44           | 5701184               | Führungsblech                              | Guide plate                            |
| 45           | 216775                | Zylinderschraube                           | Cyl. head screw                        |
| 46           | 024275                | Scheibe                                    | Washer                                 |
| 47           | 10019108              | Ansatzschraube                             | Shoulder screw                         |
| 48           | 420362                | Federscheibe                               | Spring washer                          |
| 49           | 5701477               | Zugstange                                  | Draw bar                               |
| 50           | 560404                | Deckplatte                                 | Cover plate                            |
| 51           | 5701474               | Lasche                                     | Shackle                                |
| 52           | 746879                | Zylinderschraube                           | Cyl. head screw                        |
| 53           | 024275                | Scheibe                                    | Washer                                 |
| 54           | 5701485               | Abdeckblech                                | Covering plate                         |
| 55           | 2401027               | Zylinderschraube                           | Cyl. head screw                        |
| 56           | 557263                | Scheibe                                    | Washer                                 |
| 57           | 557837                | Federscheibe                               | Spring washer                          |
| 58           | 5701490               | Zugfeder                                   | Draw spring                            |
| 59           | 5562011               | Steuerhebel mit<br>Pos. 60 und 61          | Control lever with<br>pos. 60 and 61   |
| 60           | 5562012               | Steuerhebel                                | Control lever                          |
| 61           | 5562022               | Sechskantschraube                          | Hexagonal screw                        |
| 62           | 93002119              | Sicher.-Ring                               | Safety ring                            |

| Pos.<br>Det. | Teile Nr.<br>Part No. | Benennung | Denomination |
|--------------|-----------------------|-----------|--------------|
|--------------|-----------------------|-----------|--------------|

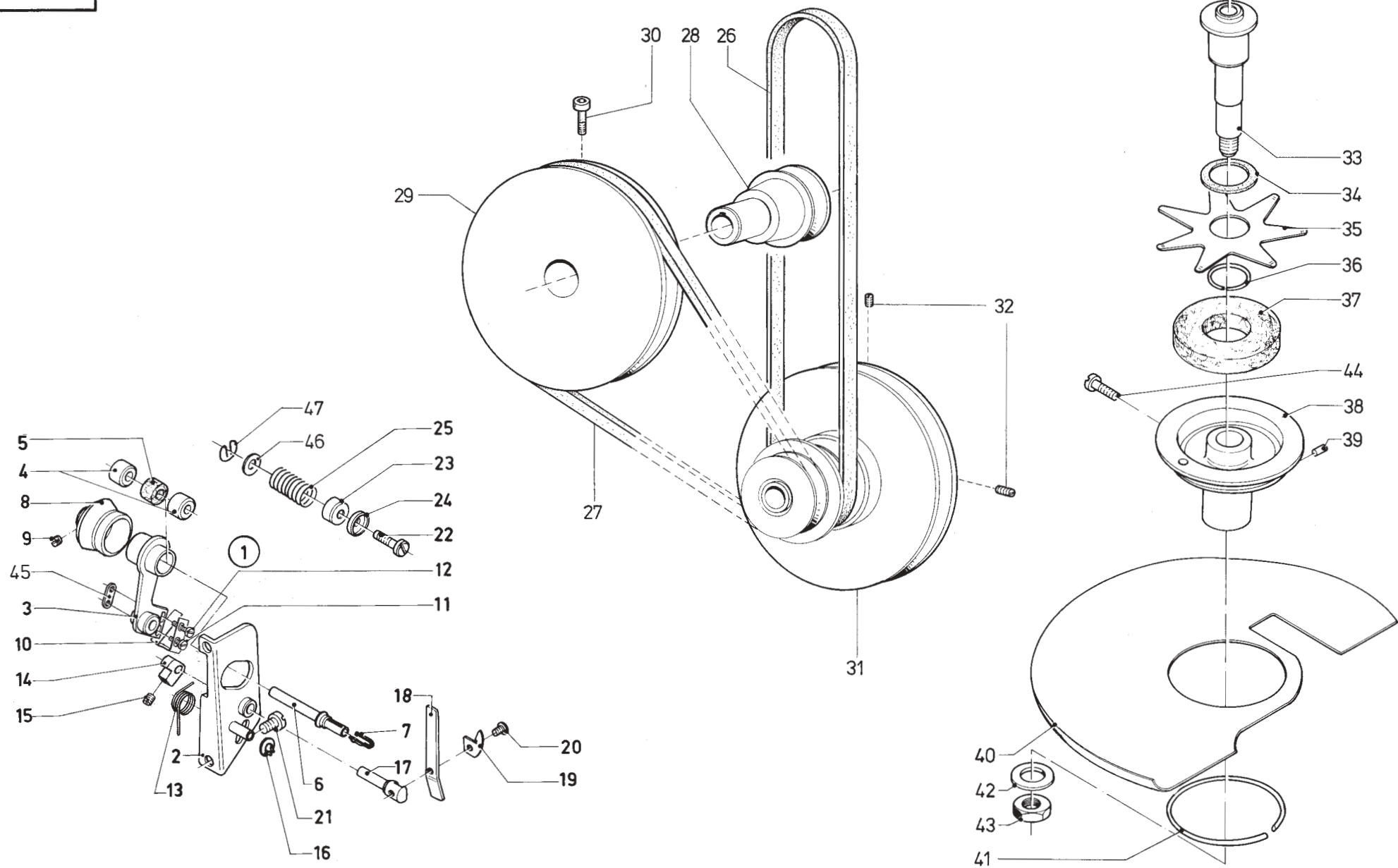




| Pos.<br>Det. | Teile Nr.<br>Part No. | Benennung  | Denomination   |
|--------------|-----------------------|--|--|
| 1            | 5701332               | Getriebe vollst.<br>best. aus Pos. 2<br>bis Pos. 59<br>und Pos. 12 bis 15<br>von Tafel 9 | Gear cpl.<br>consisting of pos. 2<br>up to pos. 59<br>and pos. 12 up to 15<br>of table 9 |
| 2            | 5701334               | Getriebegehäuse<br>mit Pos. 3 bis 9  | Gearbox with pos 3—9   |
| 3            | 5701336               | Paßkerbstift   | Half length taper<br>grooved dowel pin   |
| 4            | 5561937               | Paßkerbstift   | Half length taper<br>grooved dowel pin   |
| 5            | 5701339               | Bolzen   | Bolt   |
| 6            | 211109                | Sicherungsring   | Safety ring  |
| 7            | MG41/1302             | Stift  | Pin  |
| 8            | 5701359               | Grundplatte  | Base plate   |
| 9            | 5701360               | Pumpengehäuse  | Pump housing   |
| 10           | 5561892               | Welle  | Shaft  |
| 11           | 5701357               | Kugellager   | Ball bearing   |
| 12           | 5701364               | Paßfeder   | Fitting key  |
| 13           | 5701346               | Buchse   | Bush   |
| 14           | 5701347               | Scheibe  | Washer   |
| 15           | 5701348               | Nadellager   | Needle bearing   |
| 16           | 5701352               | Deckscheibe  | Cover plate  |
| 17           | 5701353               | Simmerring   | Radial packing ring  |
| 18           | 21646                 | Zylinderschraube   | Cyl. head screw  |
| 19           | 5701349               | Dichtscheibe   | Gasket   |
| 20           | 5701350               | Scheibe  | Washer   |
| 21           | 5701362               | Zahnrad  | Gear wheel   |
| 22           | 5701363               | Zahnrad  | Gear wheel   |
| 23           | 5701366               | Zwischenplatte   | Distance plate   |
| 24           | 5701367               | Deckplatte   | Cover plate  |
| 25           | 5701368               | Zylinderschraube   | Cyl. head screw  |
| 26           | 5701371               | Ventilsitz   | Valve seat   |
| 27           | 5701372               | Ventilkegel  | Valve cone   |
| 28           | 267248                | Stellring mit Pos. 29  | Set collar with<br>pos. 29   |
| 29           | 5411395               | Gew.-Stift   | Threaded stud  |
| 30           | 5701381               | Pumpendeckel mit<br>Pos. 31 und 32   | Pump cover with<br>pos. 31 and 32  |
| 31           | 211633                | Schauglas  | Sight glass  |
| 32           | 21651                 | Rundschnurring   | Round cort ring  |
| 33           | 5701387               | Feder  | Spring   |
| 34           | 5701386               | Stellschraube  | Adjusting screw  |

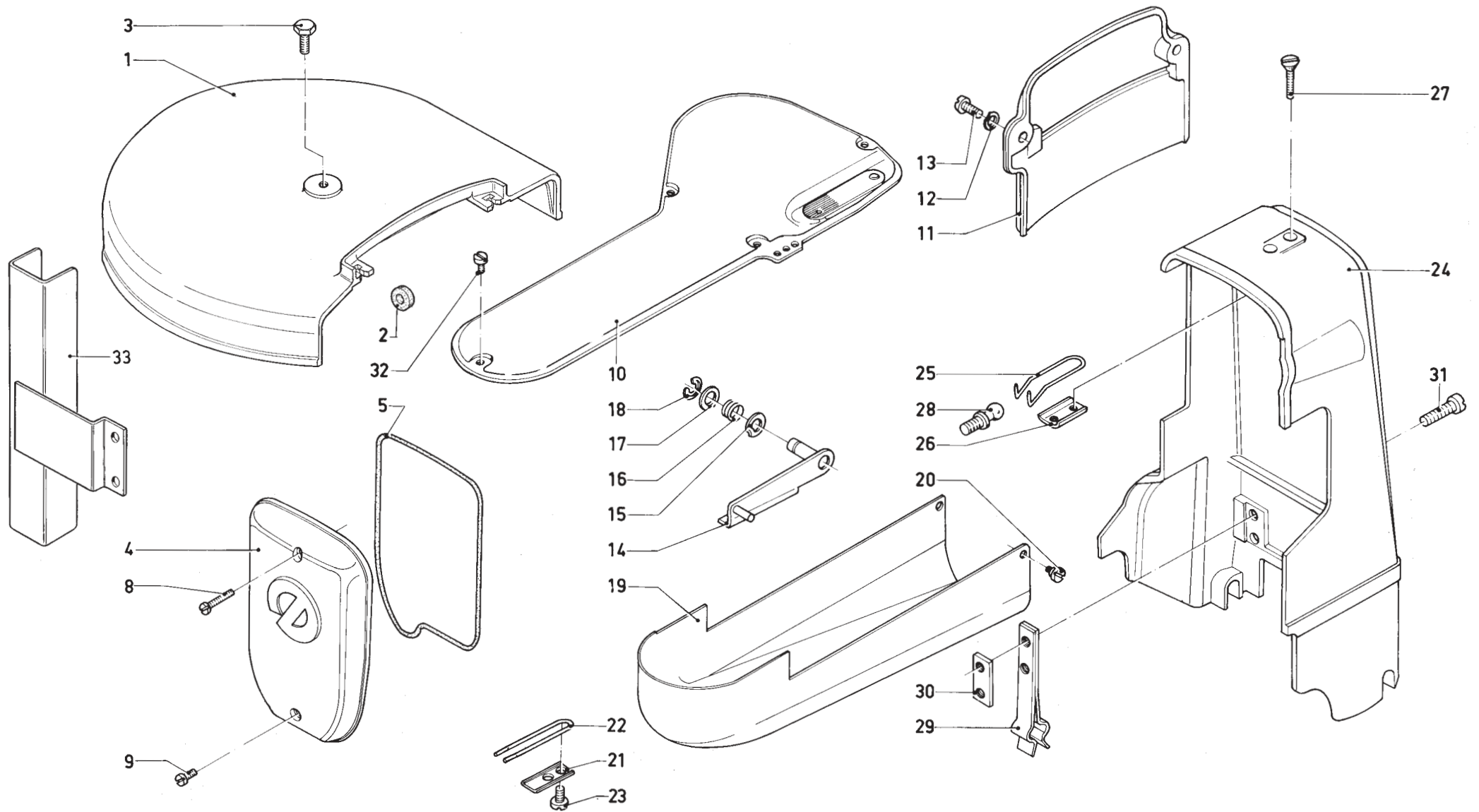
| Pos.<br>Det. | Teile Nr.<br>Part No. | Benennung                         | Denomination                      |
|--------------|-----------------------|-----------------------------------|-----------------------------------|
| 35           | 5701388               | Überwurfmutter                    | Spigot nut                        |
| 36           | 216301                | Rundschnurring                    | Round cord ring                   |
| 37           | 5701493               | Schraube                          | Screw                             |
| 38           | 21288                 | Dichtring                         | Gasket ring                       |
| 39           | 556555                | Senkschraube                      | Countersunk screw                 |
| 40           | 5701492               | Schutzplatte                      | Protective plate                  |
| 41           | 7425096               | Senkschraube                      | Countersunk screw                 |
| 42           | MG43/408              | Mutter                            | Nut                               |
| 43           | 5701394               | Schraube                          | Screw                             |
| 44           | 21651                 | Rundschnurring                    | Round cord ring                   |
| 45           | 5701391               | Gummiring                         | Rubberring                        |
| 46           | 5701392               | Zylinderschraube                  | Cyl. head screw                   |
| 47           | 5701399               | Steuerwelle                       | Control shaft                     |
| 48           | 5701400               | Druckfeder                        | Pressure spring                   |
| 49           | 5701401               | Simmerring                        | Radial packing ring               |
| 50           | 5701398               | Kolben                            | Piston                            |
| 51           | 5701404               | Dichtring                         | Gasket ring                       |
| 52           | 5561893               | Deckplatte                        | Cover plate                       |
| 53           | 5561894               | Schraube                          | Screw                             |
| 54           | 5561895               | Dichtring                         | Gasket ring                       |
| 55           | 556362                | Zylinderschraube                  | Cyl. head screw                   |
| 56           | App20160              | Sechskantschraube<br>(Motor-Bef.) | Hexagonal screw<br>(motor fixing) |
| 57           | 72043                 | Scheibe                           | Washer                            |
| 58           | 5701406               | Deckel                            | Cover                             |
| 59           | 702229                | Zylinderschraube                  | Cyl. head screw                   |
| 60           | 5701409               | Staubkappe                        | Dust cap                          |
| 61           | 5701410               | Feder                             | Spring                            |
| 66           | 5701481               | Sechskantschraube                 | Hexagonal screw                   |
| 67           | 719280                | Scheibe                           | Washer                            |
| 68           | 557137                | Federscheibe                      | Spring washer                     |
| 69           | 9021197               | Sechskantmutter                   | Hexagonal nut                     |

| Pos.<br>Det. | Teile Nr.<br>Part No. | Benennung | Denomination |
|--------------|-----------------------|-----------|--------------|
|--------------|-----------------------|-----------|--------------|

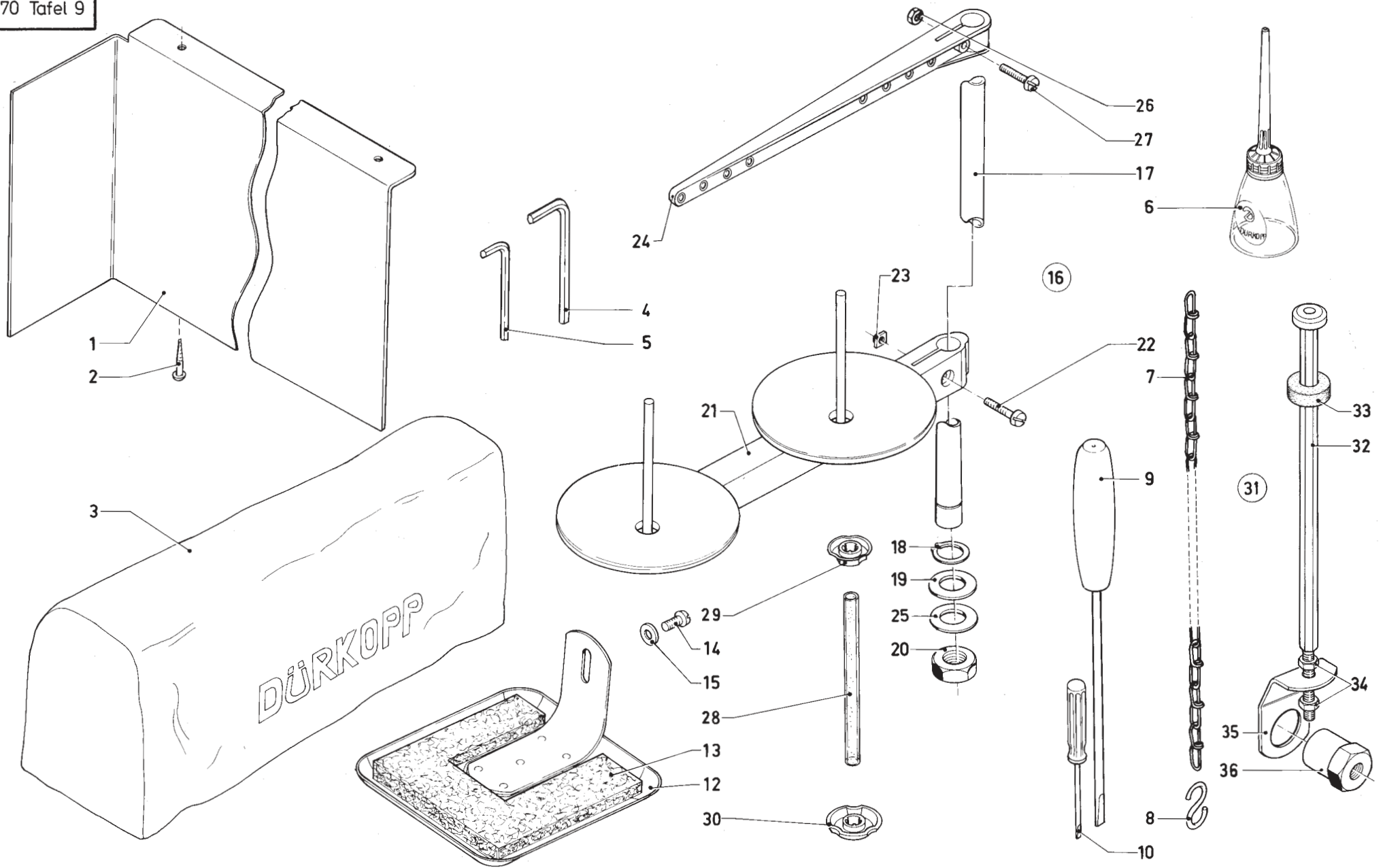


| Pos. Det. | Teile Nr. Part No. | Benennung  | Denomination   | Pos. Det. | Teile Nr. Part No. | Benennung                    | Denomination                   | Pos. Det. | Teile Nr. Part No. | Benennung | Denomination |
|-----------|--------------------|--|--|-----------|--------------------|------------------------------|--------------------------------|-----------|--------------------|-----------|--------------|
| 1         | 570215             | Spuler vollst.<br>best. aus Pos. 2 bis<br>Pos. 20                  | Bobbin winder cpl.<br>cons. of pos. 2 up to<br>pos. 20                                 | 32        | 5562064            | Gewindestift                 | Threaded stud                  |           |                    |           |              |
| 2         | 570216a            | Grundplatte  | Base plate   | 33        | 5701046a           | Steckachse                   | Insert axis                    |           |                    |           |              |
| 3         | 570221             | Schwenkhebel mit<br>Pos. 4 und 5                                   | Swivelling lever with<br>pos. 4 and 5  | 34        | 5701047            | Scheibe                      | Washer                         |           |                    |           |              |
| 4         | 570226             | Sinterbuchse   | Sintering bush   | 35        | 5701048            | Formfeder                    | Form spring                    |           |                    |           |              |
| 5         | 570227             | Ölfilz   | Oil felt   | 36        | 10052160           | Sprengring                   | Retaining ring                 |           |                    |           |              |
| 6         | 570229a            | Spulerspindel<br>mit Pos. 7  | Bobbin winder spindle<br>with pos. 7   | 37        | 5701041            | Filz                         | Felt                           |           |                    |           |              |
| 7         | 570233a            | Feder  | Spring   | 38        | 5701038            | Lagerbuchse<br>(mit Pos. 39) | Bearing bush<br>(with pos. 39) |           |                    |           |              |
| 8         | 570234             | Antriebsrad mit<br>Pos. 9  | Driving gear with<br>pos. 9  | 39        | 216346             | Stift                        | Pin                            |           |                    |           |              |
| 9         | 70220              | Gew.-Stift   | Threaded stud  | 40        | 5701043a           | Schutzblech                  | Guard plate                    |           |                    |           |              |
| 10        | 570238             | Blattfeder   | Leaf spring  | 41        | 5701044            | Sprengring                   | Retaining ring                 |           |                    |           |              |
| 11        | 1001360            | Zylinderschraube   | Cyl. head screw  | 42        | 5701051            | Scheibe                      | Washer                         |           |                    |           |              |
| 12        | 739297             | Zylinderschraube   | Cyl. head screw  | 43        | 7425110a           | 6kt.-Mutter                  | Hexagonal nut                  |           |                    |           |              |
| 13        | 570243             | Drehfeder  | Torsion spring   | 44        | 650347             | Zyl.-Schraube                | Cyl. head screw                |           |                    |           |              |
| 14        | 216603k            | Schaltkloben<br>mit Pos. 15  | Operating block<br>with pos. 15  | 45        | 227596             | Platte                       | Plate                          |           |                    |           |              |
| 15        | 223648             | Zylinderschraube   | Cyl. head screw  | 46        | 55729a             | Scheibe                      | Washer                         |           |                    |           |              |
| 16        | 570138             | Sicherungsring   | Circlip  | 47        | 244411             | Feder                        | Spring                         |           |                    |           |              |
| 17        | 570246             | Achse  | Wheel shaft  |           |                    |                              |                                |           |                    |           |              |
| 18        | 570251             | Spulerklappe   | Bobbin winder flap   |           |                    |                              |                                |           |                    |           |              |
| 19        | 570252             | Abreißblech  | Pull-off plate   |           |                    |                              |                                |           |                    |           |              |
| 20        | 10019130           | Zylinderschraube   | Cyl. head screw  |           |                    |                              |                                |           |                    |           |              |
| 21        | 702229             | Zylinderschraube   | Cyl. head screw  |           |                    |                              |                                |           |                    |           |              |
| 22        | 244416             | Linsenschraube   | Fillister head screw   |           |                    |                              |                                |           |                    |           |              |
| 23        | 244414             | Spannungshülse   | Clamping sleeve  |           |                    |                              |                                |           |                    |           |              |
| 24        | 244415             | Spannungshülse   | Clamping sleeve  |           |                    |                              |                                |           |                    |           |              |
| 25        | 244413             | Feder  | Spring   |           |                    |                              |                                |           |                    |           |              |
| 26        | 5701439a           | Antriebsriemen   | Driving belt   |           |                    |                              |                                |           |                    |           |              |
| 27        | 5701600a           | Keilriemensatz   | Set of belts   |           |                    |                              |                                |           |                    |           |              |
| 28        | 5562111            | Vorgel. Scheibe<br>(auf Motor für Wechsel-<br>strom 19 mm WellenØ) | (Disc of gear reducer<br>unit (on motor for<br>alternating current<br>19 mm shaft dia) |           |                    |                              |                                |           |                    |           |              |
| 29        | 5701605            | Riemenscheibe *<br>für 1900 Upm<br>(mit Pos. 30)                   | Belt disc *<br>for 1900 r.p.m.<br>(with pos. 30)                                       |           |                    |                              |                                |           |                    |           |              |
| 30        | 5701594            | Zyl.-Schraube  | Cyl. head screw  |           |                    |                              |                                |           |                    |           |              |
| 31        | 5701637            | Riemenscheibe *<br>für 1900 Upm<br>(mit Pos. 32)                   | Belt disc *<br>for 1900 r.p.m.<br>(with pos. 32)                                       |           |                    |                              |                                |           |                    |           |              |
|           |                    |  |  |           |                    | * Siehe Tafel 18 und 19      | * See table 18 and 19          |           |                    |           |              |



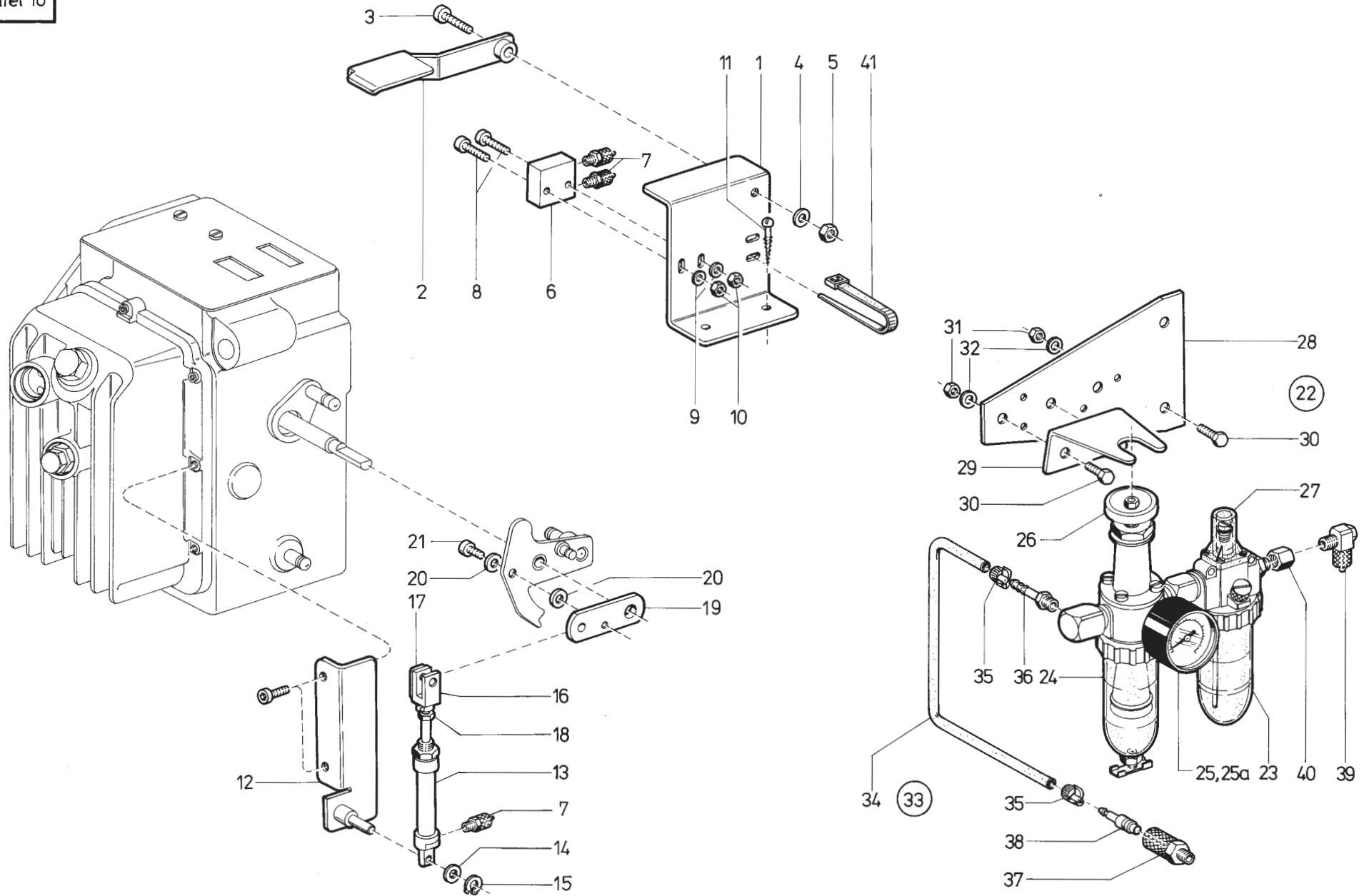




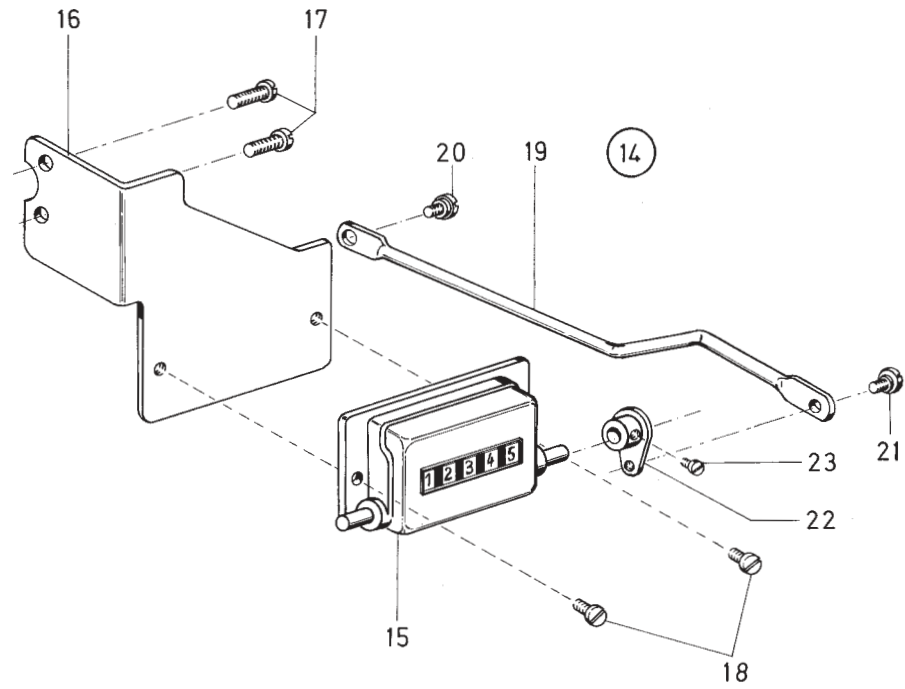
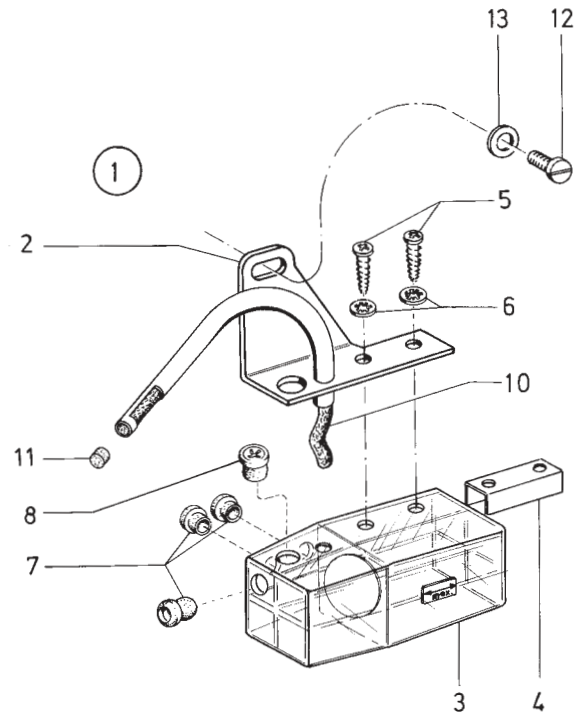




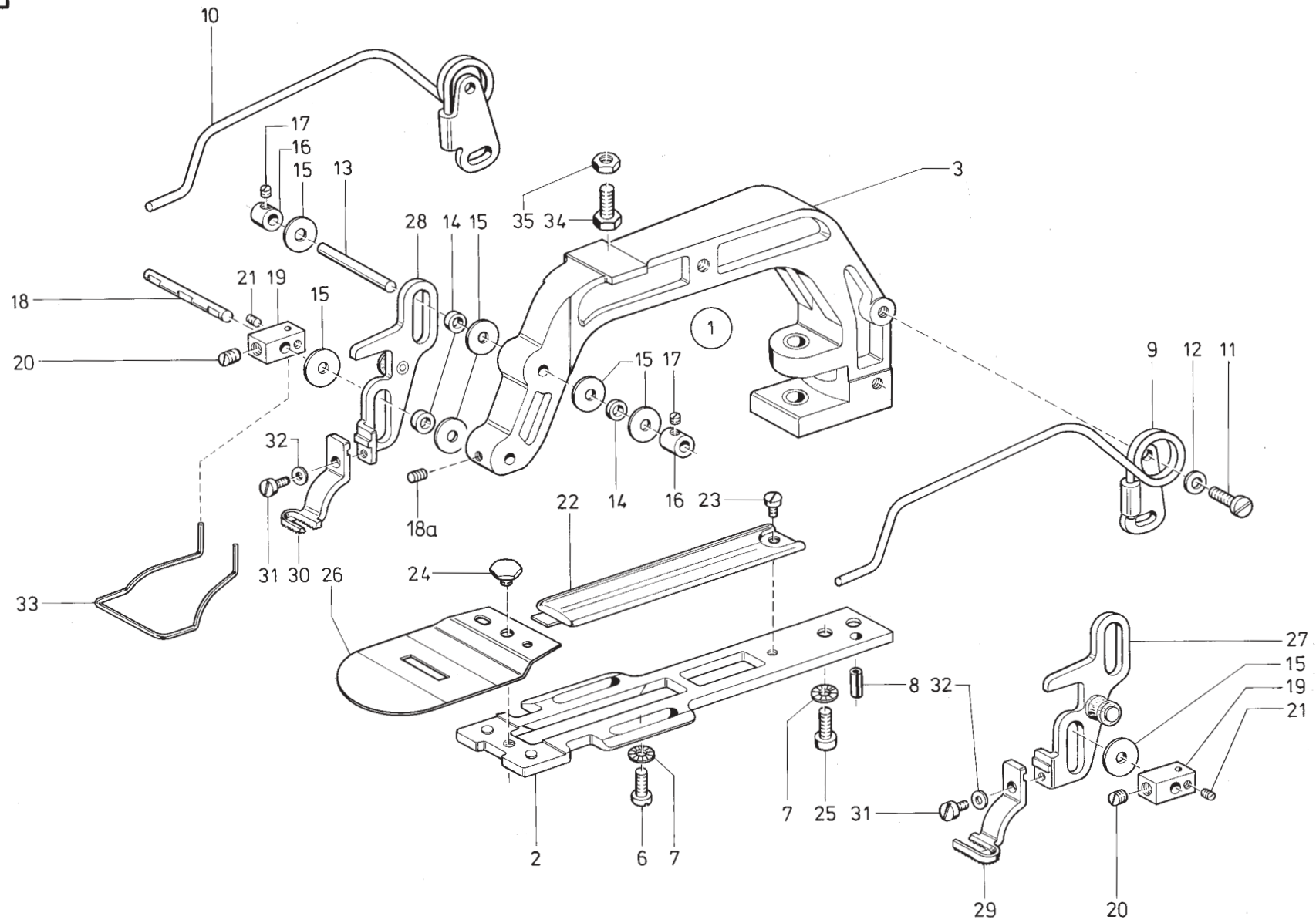






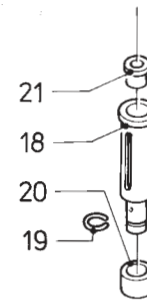
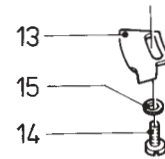
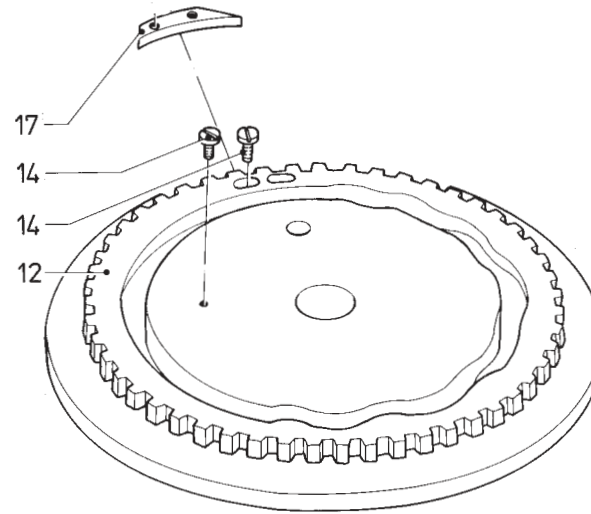
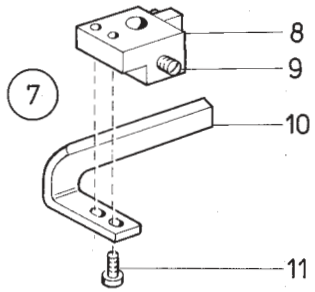
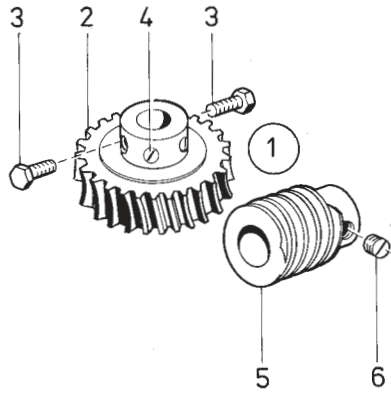








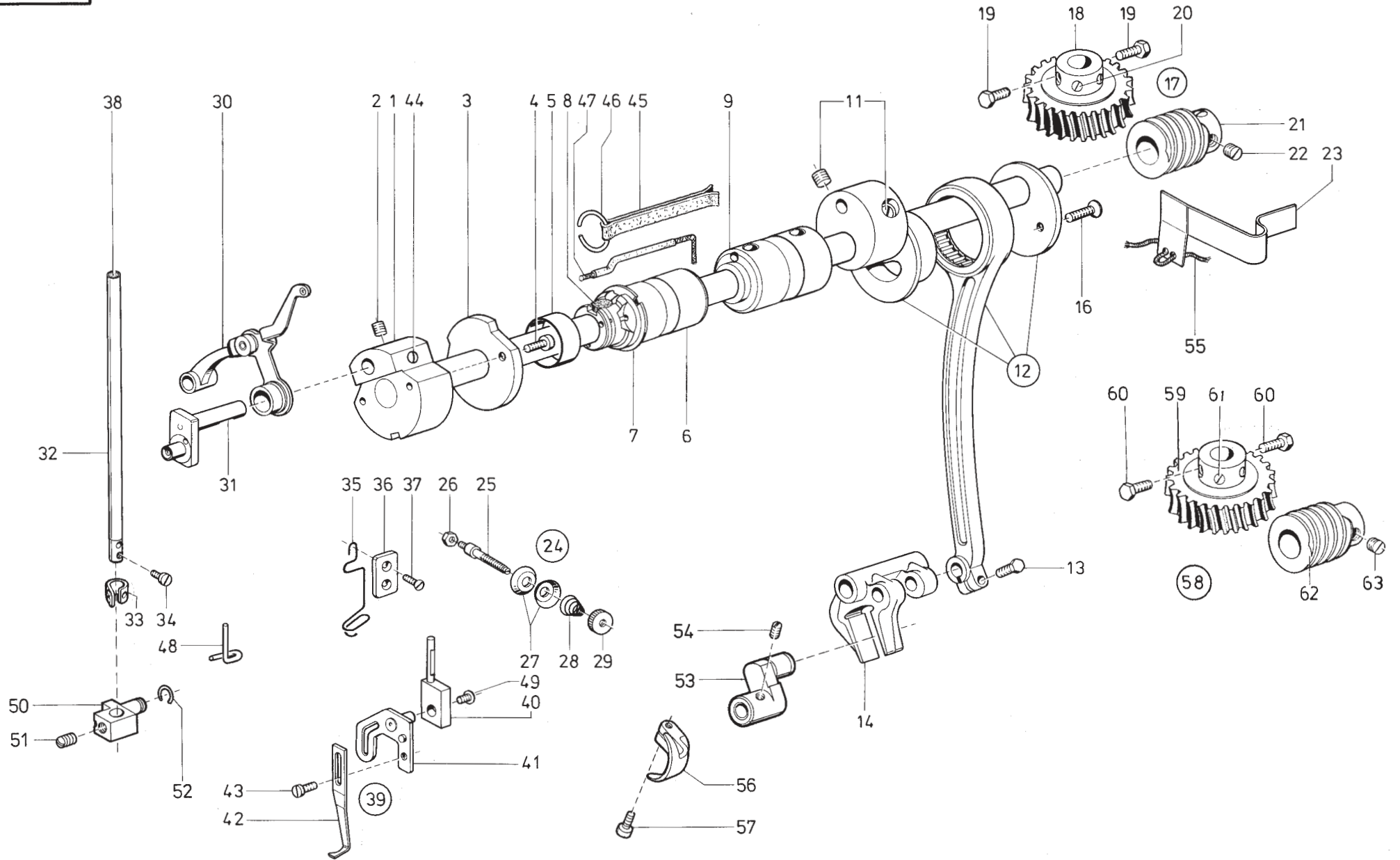




| Pos.<br>Det. | Teile Nr.<br>Part No. | Benennung   | Denomination  |
|--------------|-----------------------|---|---|
|              |                       | <b>Besondere Teile der<br/>DÜRKOPP 570-<br/>-115611</b>                           | <b>Special parts for<br/>DÜRKOPP 570-<br/>-115611</b>                       |
| 1            | 57095305              | Schneckenr. kpl.<br>(best. aus Pos. 2 und 5)                                      | Worm dirve cpl.<br>(cons. of pos. 2 and 5)                                  |
| 2            | 57095306              | Schneckenrad kpl.<br>(mit Pos. 3 und 4)   | Worm wheel cpl.<br>(with pos. 3 and 4)                                      |
| 3            | 570304                | 6kt.-Schraube   | Hexagonal screw   |
| 4            | 223646                | Gewindestift  | Threaded stud   |
| 5            | 57095311              | Schnecke kpl.<br>(mit Pos. 6)   | Worm cpl.<br>(with pos. 6)  |
| 6            | 570300                | Gewindestift  | Threaded stud   |
| 7            | 57093112              | Kloben kpl.<br>(best. aus Pos. 8, 9,<br>10, 11)                                   | Block cpl.<br>(consist. of pos. 8, 9,<br>10, 11)                            |
| 8            | 5702347               | Lüfterkloben  | Lifting block   |
| 9            | 223648                | Gewindestift  | Threaded stud   |
| 10           | 57093115              | Lüfterwinkel  | Lifting angle   |
| 11           | 21688                 | Zyl.-Schraube   | Cyl. head screw   |
| 12           |                       | Kurvenscheibe kpl.<br>siehe E-Einrichtung<br>Kataloganhang                        | Cam cpl.<br>see "E"-equipment in<br>annex of catalogue                      |
| 13           | 5702103               | Ausschaltzahn   | Switch-off lifter   |
| 14           | 216120                | Zyl.-Schraube   | Cyl. head screw   |
| 15           | 531460                | Scheibe   | Washer  |
| 17           | 57095322              | Schaltzahn  | Switch lifter   |
| 18           | 570416                | Rollenbolzen kpl.<br>(mit Pos. 19, 20, 21)<br>wird mit Kurvenscheibe<br>geliefert | Roller bolt cpl.<br>(with pos. 19, 20, 21)<br>will be delivered<br>with cam |
| 19           | 570418                | Sprengring  | Retaining ring  |
| 20           | 570419                | Rolle   | Roll  |
| 21           | 21113                 | Muffe   | Bushing   |

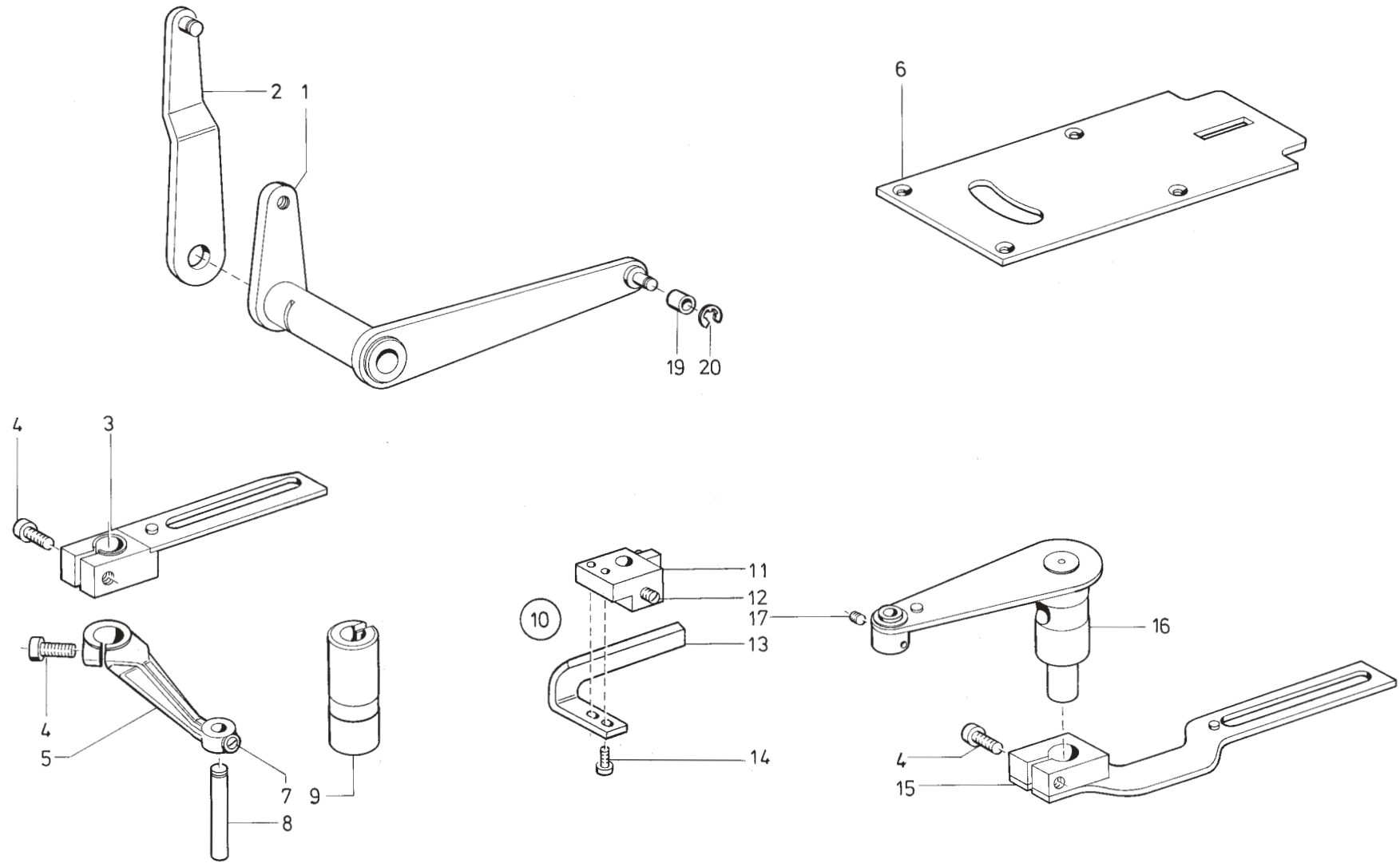
| Pos.<br>Det. | Teile Nr.<br>Part No. | Benennung | Denomination |
|--------------|-----------------------|-----------|--------------|
|              |                       |           |              |

| Pos.<br>Det. | Teile Nr.<br>Part No. | Benennung | Denomination |
|--------------|-----------------------|-----------|--------------|
|              |                       |           |              |

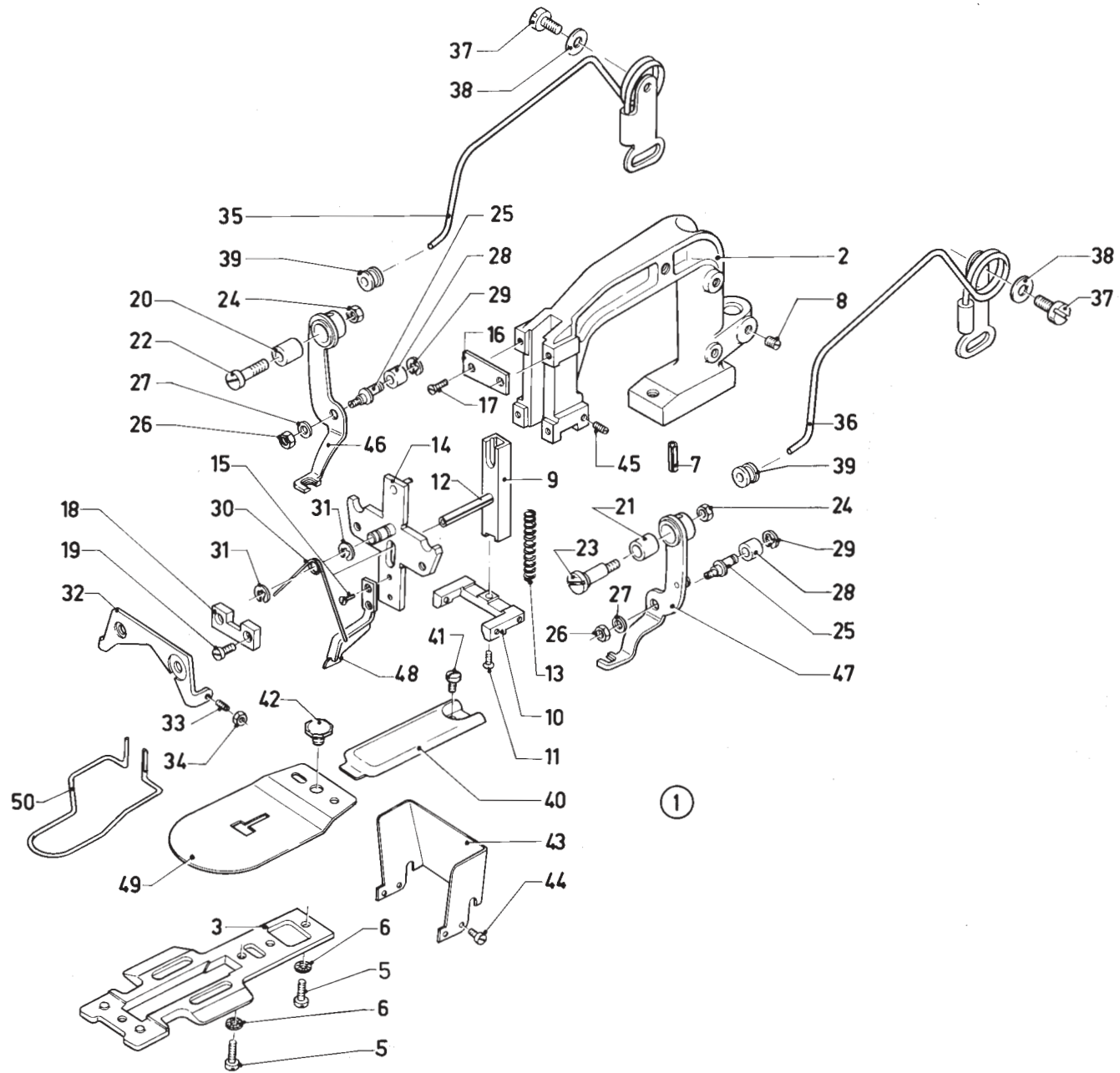










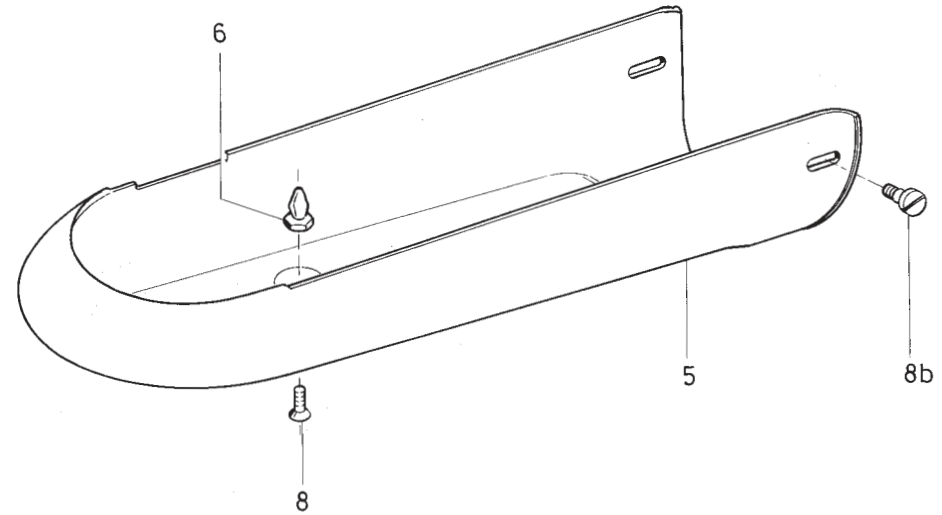
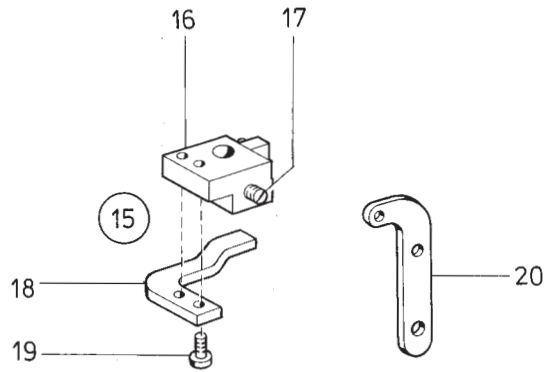
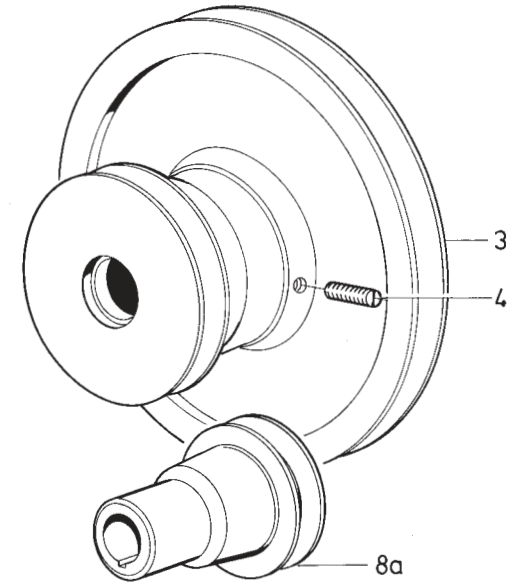
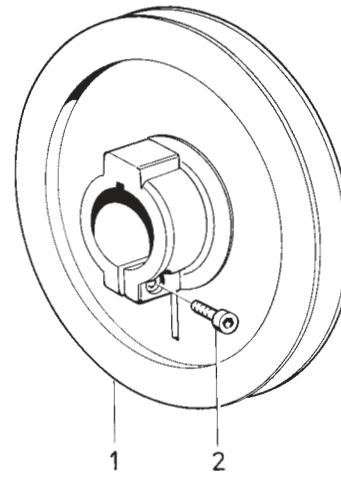
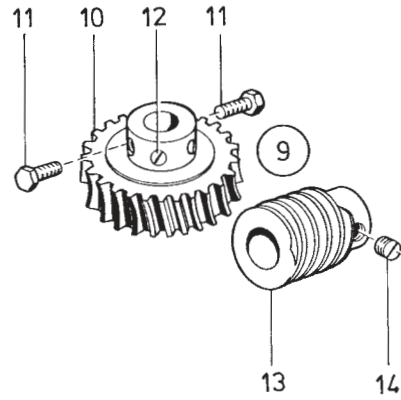




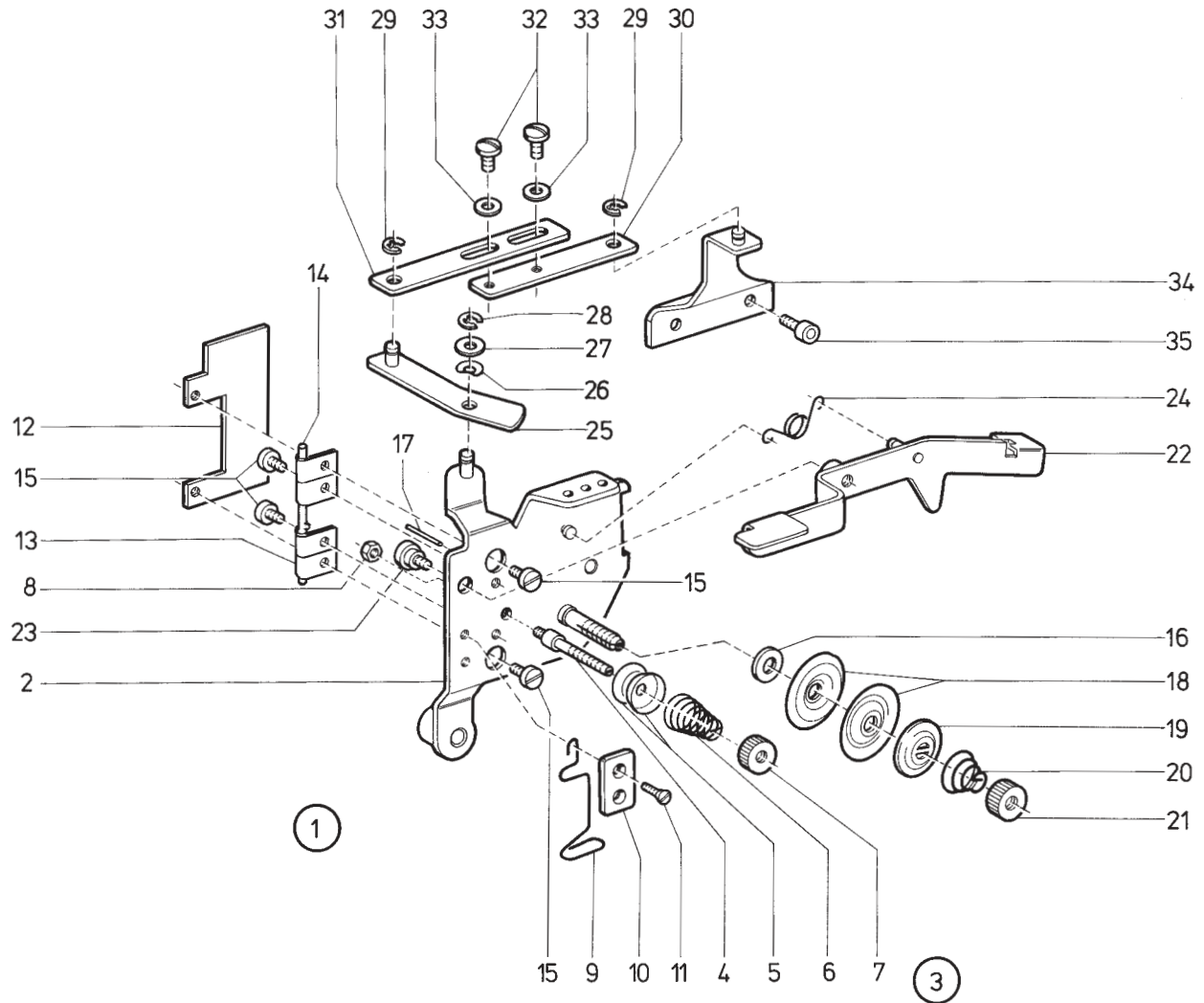
| Pos.<br>Det. | Teile Nr.<br>Part No. | Benennung   | Denomination   |
|--------------|-----------------------|---|--|
|              |                       | <b>Besondere Teile der<br/>DÜRKOPP<br/>570-124206</b> | <b>Special Parts for<br/>DÜRKOPP<br/>570-124206</b>          |
| 1            | 57017311              | Knopfklammer vollst.<br>best. aus Pos. 2<br>bis 50    | Button clamp equip-<br>ment consisting of<br>pos. 2 up to 50 |
| 2            | 57010663              | Klammerbügel  | Clamp bow  |
| 3            | 57017023              | Grundplatte   | Base plate   |
| 5            | 57017026              | Zylinderschraube                                      | Cyl. head screw  |
| 6            | 933587                | Tellerfeder   | Cup spring   |
| 7            | 7391170a              | Spannhülse  | Clamping sleeve  |
| 8            | 223245                | Gew.-Stift  | Threaded stud  |
| 9            | 5702380               | Führung   | Guidance   |
| 10           | 5702381               | Steuerschieber  | Control slide  |
| 11           | 5702382               | Senkschraube  | Countersunk screw  |
| 12           | 5702383               | Spannhülse  | Clamping sleeve  |
| 13           | 5702385               | Druckfeder  | Pressure spring  |
| 14           | 57017327              | Führungsblech   | Guide plate  |
| 15           | 420324                | Senkschraube  | Countersunk screw  |
| 16           | 5702397               | Platte  | Plate  |
| 17           | 90297                 | Senkschraube  | Countersunk screw  |
| 18           | 5702398               | Platte  | Plate  |
| 19           | 216120                | Zylinderschraube                                      | Cyl. head screw  |
| 20           | 5702416               | Buchse  | Bush   |
| 21           | 57017360              | Buchse  | Bush   |
| 22           | 10019129              | Zylinderschraube                                      | Cyl. head screw  |
| 23           | 57017368              | Exzentrerschraube                                     | Eccentric screw  |
| 24           | MG8/7d                | Sechsk.-Mutter  | Hexagonal nut  |
| 25           | 5702408               | Exzenterbolzen  | Eccentric bolt   |
| 26           | 202704                | Sechsk.-Mutter  | Hexagonal nut  |
| 27           | 5691895               | Scheibe   | Washer   |
| 28           | 5702411               | Rolle   | Roll   |
| 29           | 10019228              | Sicherungsring  | Safety ring  |
| 30           | 5702413               | Drehfeder   | Torsion spring   |
| 31           | 211100a               | Sicherungsring  | Safety ring  |
| 32           | 57017363              | Begrenzungsblech                                      | Limiting plate   |
| 33           | 702117                | Gew.-Stift  | Threaded stud  |
| 34           | 5511824               | Sechsk.-Mutter  | Hexagonal nut  |
| 35           | 5702428               | Biegefeder links                                      | Spiral spring, left hand                                     |
| 36           | 5702425               | Biegefeder rechts                                     | Spiral spring, r. h.   |
| 37           | 702229                | Zylinderschraube                                      | Cyl. head screw  |
| 38           | 557263                | Scheibe   | Washer   |

| Pos.<br>Det. | Teile Nr.<br>Part No. | Benennung  | Denomination  |
|--------------|-----------------------|--|---|
| 39           | 5702434               | Führungsstück  | Guide piece   |
| 40           | 5702151               | Kappe  | Cap   |
| 41           | 10019165              | Zylinderschraube   | Cyl. head screw   |
| 42           | 5702159               | Sechsk.-Schraube   | Hexagonal screw   |
| 43           | 5702441               | Schutzblech  | Guard plate   |
| 44           | 902670                | Zylinderschraube   | Cyl. head screw   |
| 45           | 223669                | Gew.-Stift   | Threaded stud   |
| 46           |                       | Drückerfuß<br>links<br>mit Pos.<br>25, 26, 27,<br>28 und 29                | Presser foot<br>left hand<br>with pos.<br>25, 26, 27,<br>28 and 29          |
|              |                       | Drückerfuß<br>rechts<br>mit Pos.<br>25, 26, 27,<br>28 und 29               | Presser foot<br>right hand<br>with pos.<br>25, 26, 27<br>28 and 29          |
|              |                       | Führungs-<br>fuß<br>Stoffauf-<br>lageblech<br>Finger-<br>schutz            | Guide<br>foot<br>cloth sup-<br>porting plate<br>Finger<br>guard             |
|              |                       | siehe<br>E<br>Ein-<br>rich-<br>tun-<br>gen<br>Kata-<br>log-<br>an-<br>hang | see<br>"E"<br>equip-<br>ments<br>in<br>the<br>annex<br>of<br>cata-<br>logue |

| Pos.<br>Det. | Teile Nr.<br>Part No. | Benennung | Denomination |
|--------------|-----------------------|-----------|--------------|
|              |                       |           |              |





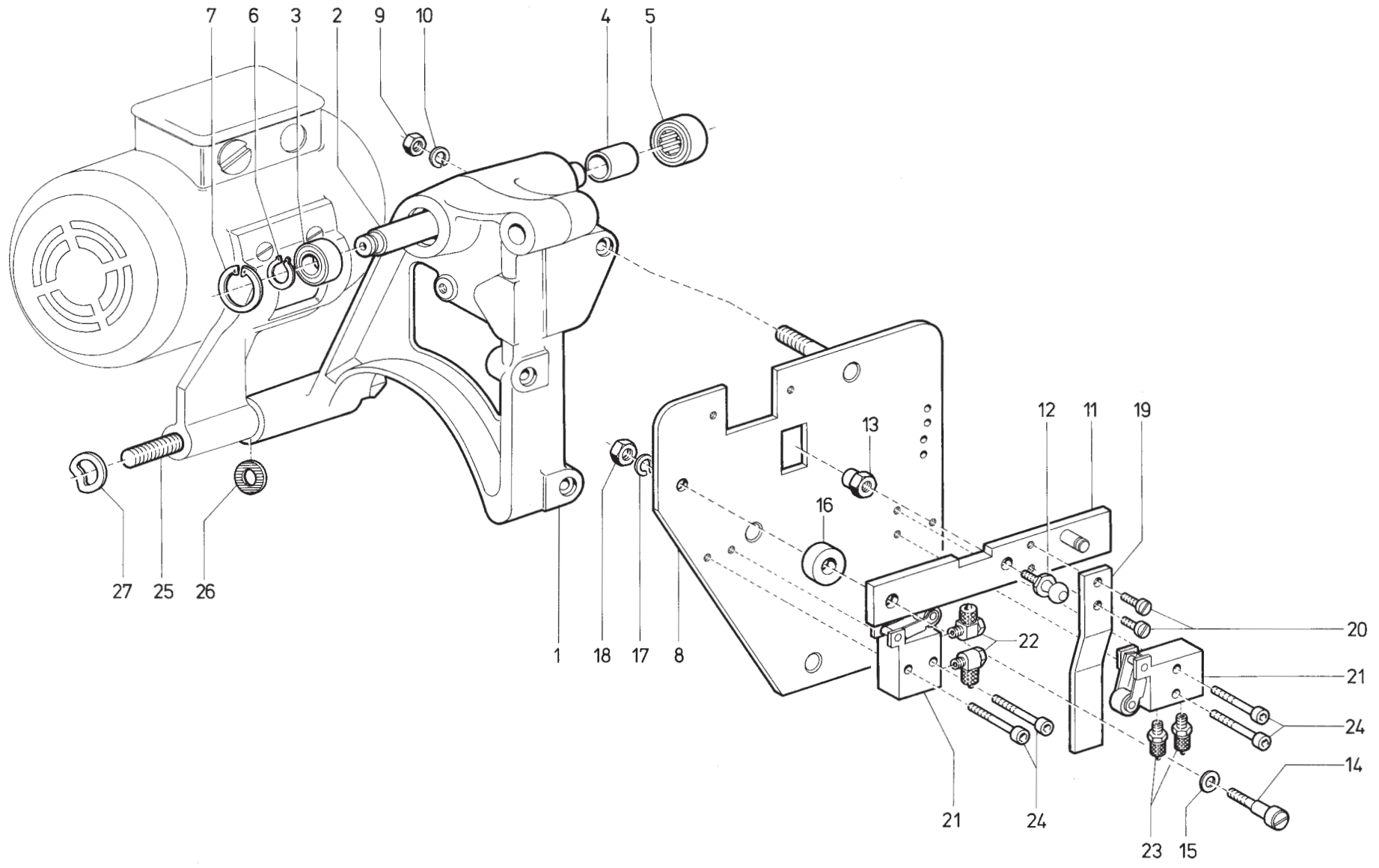






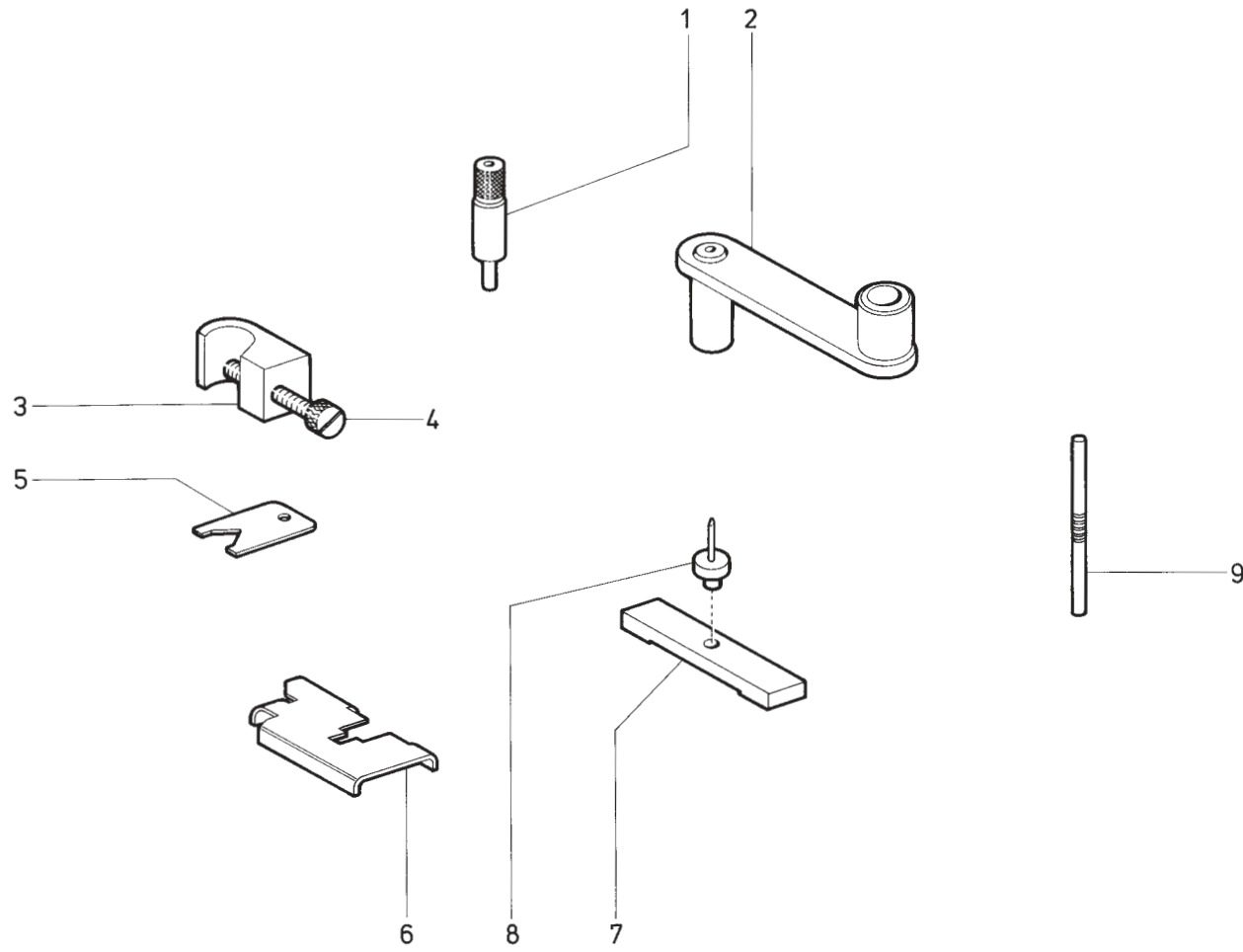










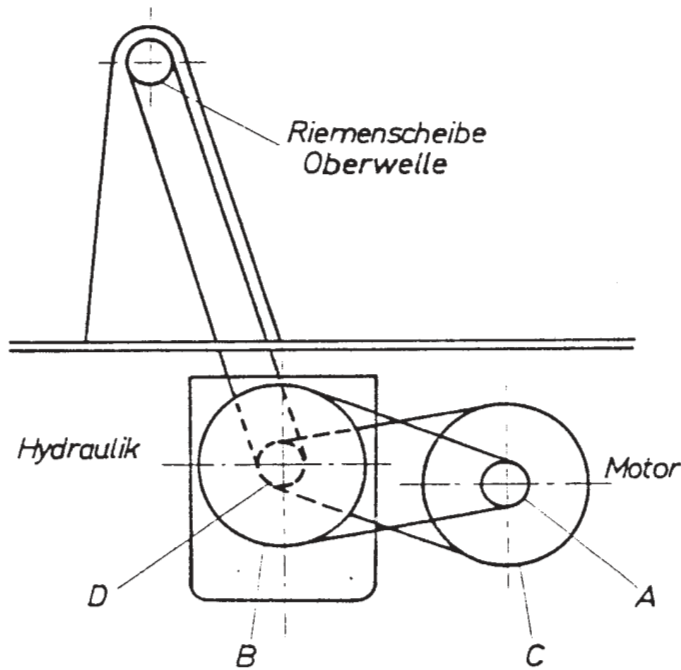




Riemenscheiben der Kl.570 für Motoren mit 60Hz 1700 Upm

Belt pulleys et Cl.570 for motor with 60Hz 1700 Upm

Tafel 22



| Maschinen<br>Drehzahl<br>Upm | Teile - Nummern der Riemenscheiben<br>Ret. No. et belt pulleys |          |  |          |                          | Bemerkung   |
|------------------------------|--|----------|--|----------|--------------------------|-------------|
|                              | Riemenscheiben für<br>Hydraulikdrehzahl                        |          | Riemenscheiben für<br>Maschinen-Drehzahl |          | Beide Scheibe.<br>kompl. |             |
| Speed<br>Cst./min.           | Belt pulleys for<br>control gear shaft                         |          | Belt pulleys for<br>motor shaft          |          | Both pulleys<br>together | Remark      |
|                              | A  | B        | C  | D        | E = B + D                |             |
| 1500                         | 570 1589   | 556 2203 | 570 1611                                 | 570 1653 | 570 1651                 |             |
| 1900                         | "  | "        | 570 1582                                 | 570 1655 | 570 1654                 | Motorwelle  |
| 2000                         | "  | "        | 570 1616                                 | 570 1657 | 570 1656                 | Motor shaft |
| 2300                         | "  | "        | 570 1546                                 | 570 1549 | 570 1548                 | ∅ 3/4"      |
| 2500                         | "  | "        | 570 1556                                 | 570 1559 | 570 1558                 |             |
| 1500                         | 556 2208   | 556 2203 | 570 1611                                 | 570 1653 | 570 1651                 |             |
| 1900                         | "  | "        | 570 1582                                 | 570 1655 | 570 1654                 | Motorwelle  |
| 2000                         | "  | "        | 570 1616                                 | 570 1657 | 556 1656                 | Motor shaft |
| 2300                         | "  | "        | 570 1546                                 | 570 1549 | 556 1548                 | ∅ 5/8"      |
| 2500                         | "  | "        | 570 1556                                 | 570 1559 | 556 1558                 |             |
| 1500                         | 570 1588   | 556 2203 | 570 1611                                 | 570 1653 | 570 1651                 |             |
| 1900                         | "  | "        | 570 1582                                 | 570 1655 | 570 1654                 | Motorwelle  |
| 2000                         | "  | "        | 570 1616                                 | 570 1657 | 570 1656                 | Motor shaft |
| 2300                         | "  | "        | 570 1546                                 | 570 1549 | 570 1548                 | ∅ 14 mm     |
| 2500                         | "  | "        | 570 1556                                 | 570 1559 | 570 1558                 |             |
| 1500                         | 570 1590   | 556 2203 | 570 1611                                 | 570 1653 | 570 1651                 |             |
| 1900                         | "  | "        | 570 1582                                 | 570 1655 | 570 1654                 | Motorwelle  |
| 2000                         | "  | "        | 570 1616                                 | 570 1657 | 570 1656                 | Motor shaft |
| 2300                         | "  | "        | 570 1546                                 | 570 1549 | 570 1548                 | ∅ 16 mm     |
| 2500                         | "  | "        | 570 1556                                 | 570 1559 | 570 1558                 |             |
| 1500                         | 570 1581   | 556 2203 | 570 1611                                 | 570 1653 | 570 1651                 |             |
| 1900                         | "  | "        | 570 1582                                 | 570 1655 | 570 1654                 | Motorwelle  |
| 2000                         | "  | "        | 570 1616                                 | 570 1657 | 570 1656                 | Motor shaft |
| 2300                         | "  | "        | 570 1546                                 | 570 1549 | 570 1548                 | ∅ 19 mm     |
| 2500                         | "  | "        | 570 1556                                 | 570 1559 | 570 1558                 |             |



# Inhaltsverzeichnis/Contents

| Best.-Nr.  | Tafel                     | Best.-Nr. | Tafel                  | Best.-Nr. | Tafel                                |
|------------|---------------------------|-----------|------------------------|-----------|--------------------------------------|
| App. 53    | 9                         | 212297    | 8                      | 420324    | 16                                   |
| App. 56    | 9                         | 212549    | 19                     | 420362    | 4, 5, 8, 19                          |
| App. 278   | 18                        | 213370    | 2                      | 420368    | 2, 8, 12, 18                         |
| App. 302   | 9                         | 213731    | 9                      | 421222    | 2, 3                                 |
| App. 20160 | 6                         | 213754    | 9                      | 421329    | 5, 19                                |
| MG8/7d     | 4, 9, 16                  | 21642     | 1                      | 422297    | 1                                    |
| MG41/1302  | 6                         | 21646     | 2, 6                   | 531460    | 10, 13, 15                           |
| MG41/1364  | 10                        | 21651     | 6                      | 5411395   | 6                                    |
| MG41/4259a | 2                         | 21652     | 3, 10, 12              | 5511824   | 2, 14, 16                            |
| MG41/4323  | 5, 19                     | 21668a    | 3                      | 5512537   | 4                                    |
| MG41/4498  | 9                         | 21688     | 2, 4, 8, 11, 14, 17    | 55650     | 14                                   |
| MG41/4571  | 10                        | 21698     | 1, 2, 4, 8             | 556286    | 19                                   |
| MG43/36    | 3                         | 216117    | 3                      | 556362    | 6                                    |
| MG43/404   | 4                         | 216120    | 1, 4, 10, 13, 16       | 556555    | 6                                    |
| MG43/408   | 2, 3, 4, 5, 6, 15, 19, 20 | 216123    | 3                      | 556895    | 12                                   |
| MG43/2510  | 10                        | 216134    | 4                      | 5561091   | 4                                    |
| MG45/138   | 5, 19                     | 216301    | 6                      | 5561181   | 1                                    |
| P12110     | 5, 19                     | 216315    | 2                      | 5561184   | 1                                    |
| P121150    | 10                        | 216346    | 7                      | 5561189   | 1                                    |
| Z112611    | 20                        | 216573    | 2, 12                  | 5561276   | 3                                    |
| Z1121861   | 10                        | 216589    | 2                      | 5561277   | 3                                    |
| Z11577     | 10                        | 216601    | 1                      | 5561278   | 3                                    |
| Z151302    | 10                        | 216603k   | 7                      | 5561382   | 21                                   |
| 00479      | 2, 18                     | 216656    | 3                      | 5561865   | 15                                   |
| 024275     | 3, 5, 19                  | 216660    | 3                      | 5561892   | 6                                    |
| 052360     | 9                         | 216775    | 5, 19                  | 5561893   | 6                                    |
| 052361     | 9                         | 219353    | 2                      | 5561894   | 6                                    |
| 052369     | 9                         | 223237    | 1, 2                   | 5561895   | 6                                    |
| 052737c    | 2                         | 223245    | 2, 3, 4, 5, 10, 16, 19 | 5561907   | 9                                    |
| 055723     | 4                         | 223531    | 21                     | 5561908   | 9                                    |
| 114202     | 2, 18                     | 223536e   | 21                     | 5561911   | 9                                    |
| 197203     | 1                         | 223646    | 1, 2, 3, 4, 14, 17     | 5561916   | 9                                    |
| 202704     | 4, 10, 11, 16             | 223648    | 7, 10, 13, 14, 15, 16  | 5561917   | 9                                    |
| 204136     | 18                        | 223652    | 14                     | 5561937   | 6                                    |
| 204163     | 2                         | 223669    | 10, 15, 16             | 5562011   | 5                                    |
| 204340     | 1                         | 223676    | 1, 3, 4, 8, 10         | 5562012   | 5                                    |
| 21113      | 4, 40, 13                 | 223699a   | 17                     | 5562022   | 5                                    |
| 21131      | 1, 3                      | 223700    | 1, 15, 20              | 5562029b  | 19                                   |
| 211100a    | 1, 13, 18                 | 223723    | 18                     | 5562064   | 7                                    |
| 211109     | 4, 6                      | 2235047   | 2                      | 5562068   | 8, 9                                 |
| 211208     | 2                         | 227596    | 4, 7                   | 5562111   | 7, 17                                |
| 211302     | 1                         | 237202    | 3                      | 5562165   | 17                                   |
| 211305a    | 1, 14                     | 240663    | 8                      | 5562257   | 9                                    |
| 211305b    | 1, 14                     | 2401027   | 3, 5, 12, 19           | 5562693   | 12                                   |
| 211306a    | 1                         | 241320    | 3                      | 5562700   | 12                                   |
| 211306b    | 1, 14                     | 244325    | 18                     | 5563086   | 12                                   |
| 211307b    | 14                        | 244411    | 7                      | 5563087   | 12                                   |
| 211309     | 1, 14                     | 244413    | 7                      | 5563088   | 12                                   |
| 211331     | 2                         | 244414    | 7                      | 55615291  | 20                                   |
| 211361     | 1                         | 244415    | 7                      | 55615292  | 20                                   |
| 211362     | 1                         | 244416    | 7                      | 55615292a | 20                                   |
| 211373     | 9                         | 2441066   | 9                      | 55615299  | 20                                   |
| 211376     | 2                         | 2441067   | 9                      | 55615301  | 20                                   |
| 211387     | 14                        | 2441068   | 9                      | 55615303  | 20                                   |
| 211390k    | 2                         | 246360    | 18                     | 55615304  | 20                                   |
| 211391a    | 2                         | 246984    | 1                      | 55616483  | 20                                   |
| 211393     | 2                         | 2461049   | 10                     | 55616520  | 20                                   |
| 211395     | 2, 14                     | 2462207   | 10                     | 55616528  | 20                                   |
| 211397     | 2, 4                      | 252604    | 18                     | 55729a    | 7                                    |
| 211398     | 2                         | 2522389   | 10                     | 557137    | 6                                    |
| 211408     | 2                         | 265136    | 8                      | 557263    | 2, 3, 4, 5, 9, 10,<br>12, 16, 18, 19 |
| 211471     | 2                         | 265379    | 2                      | 557635    | 2, 14, 18                            |
| 211473     | 2                         | 265565    | 1, 14                  | 557837    | 5, 19                                |
| 211476     | 2                         | 2652018   | 3                      | 5572306   | 2                                    |
| 211482     | 2, 18                     | 2658716a  | 20                     | 5573270   | 4                                    |
| 211496     | 8                         | 267248    | 6                      | 558609    | 2                                    |
| 211633     | 6                         | 270631    | 3                      | 558233    | 8                                    |
| 211700     | 21                        | 291159    | 2                      | 558305a   | 19                                   |
| 21267      | 3, 14                     | 291684    | 18                     | 558339    | 1                                    |
| 21288      | 6                         | 42084     | 1, 10, 15              |           |                                      |



| Best.-Nr. | Tafel                   | Best.-Nr. | Tafel     | Best.-Nr. | Tafel |
|-----------|-------------------------|-----------|-----------|-----------|-------|
| 558786    | 19                      | 570251    | 7         | 570588    | 3     |
| 558818    | 14                      | 570252    | 7         | 570590    | 3     |
| 5581038   | 10                      | 570258    | 1         | 579592    | 3     |
| 5581504   | 12                      | 570268    | 8         | 570601    | 3     |
| 5584232   | 2, 14, 18               | 570275    | 3         | 570603    | 3     |
| 560404    | 5, 19                   | 570278a   | 3         | 570606    | 3     |
| 5661294   | 18                      | 570280    | 3         | 570610    | 3     |
| 5691873   | 3                       | 570290    | 3         | 570612    | 3     |
| 5691895   | 1, 2, 4, 10, 11, 16, 18 | 570294    | 17        | 570617    | 3     |
| 5692773   | 20                      | 570295    | 17        | 570621    | 3     |
| 5709      | 1                       | 570298    | 17        | 570631    | 3     |
| 57010     | 1                       | 570300    | 14, 17    | 570635    | 3     |
| 57025     | 1                       | 570301    | 3         | 570636    | 3     |
| 57026     | 1                       | 570304    | 3, 14, 17 | 570641    | 3     |
| 57034     | 1                       | 570361    | 2         | 570651    | 3     |
| 57041     | 1                       | 570362    | 2         | 570655    | 3     |
| 57043     | 1                       | 570365    | 2         | 570661    | 3     |
| 57044     | 1                       | 570370    | 2         | 570664    | 4     |
| 57046     | 1                       | 570401    | 3         | 570668    | 3     |
| 57049k    | 2                       | 570404    | 3, 4      | 570669    | 3     |
| 57055     | 1, 14                   | 570408    | 3, 4      | 570672    | 3     |
| 57060     | 2                       | 570409    | 3, 4      | 570688    | 8     |
| 57062     | 2                       | 570411    | 3, 4      | 570695    | 2     |
| 57065     | 2                       | 570416    | 4, 10, 13 | 570696    | 2     |
| 57071a    | 1                       | 570418    | 10, 13    | 570699    | 2     |
| 57073a    | 2                       | 570419    | 10, 13    | 570704a   | 2     |
| 570101    | 2                       | 570421    | 3         | 570707a   | 2     |
| 570112    | 2                       | 570427    | 3, 4      | 570708    | 2     |
| 570114    | 2                       | 570428    | 3, 4      | 570709    | 2     |
| 570116    | 2                       | 570430    | 3, 4      | 570711a   | 2     |
| 570117    | 2                       | 570431    | 3, 4      | 570727    | 2     |
| 570118    | 2                       | 570432a   | 3, 4      | 570746    | 1     |
| 570119    | 2                       | 570433    | 3, 4      | 570750k   | 1     |
| 570121    | 2                       | 570436    | 3         | 570751a   | 1     |
| 570129    | 2                       | 570440    | 3         | 570755    | 1     |
| 570136    | 2                       | 570445    | 3         | 570756    | 1     |
| 570137    | 2                       | 570452    | 2         | 570769    | 1     |
| 570138    | 2, 3, 7, 14, 16         | 570459    | 2, 14     | 570780    | 1     |
| 570141    | 2                       | 570462    | 2         | 570784    | 1     |
| 570143    | 2                       | 570472    | 2         | 570791    | 1     |
| 570146    | 2                       | 570475    | 2         | 570795    | 1     |
| 570147    | 2                       | 570477    | 2         | 570800    | 1     |
| 570148    | 2                       | 570479    | 2         | 570801    | 1     |
| 570149    | 2                       | 570481    | 3         | 570802    | 1     |
| 570150    | 2                       | 570482    | 3         | 570803    | 1     |
| 570154    | 2                       | 570484    | 3         | 570808    | 1     |
| 570156    | 2                       | 570491    | 1         | 570808a   | 1     |
| 570159    | 2                       | 570492    | 1         | 570809    | 1     |
| 570160    | 2                       | 570495    | 1         | 570811    | 4     |
| 570161    | 2                       | 570497    | 1         | 570831    | 4     |
| 570164    | 2                       | 570521k   | 3         | 570845    | 4     |
| 570165    | 2                       | 570526    | 3         | 570853    | 4     |
| 570171    | 2                       | 570532    | 3         | 570854a   | 4     |
| 570174a   | 2                       | 570533    | 3         | 570855k   | 4     |
| 570176    | 2                       | 570536    | 3         | 570858    | 4     |
| 570188    | 2                       | 570542    | 1         | 570859    | 4     |
| 570196    | 2                       | 570545    | 3         | 570862    | 4     |
| 570201    | 2, 14                   | 570546    | 3         | 570865    | 4     |
| 570206    | 8                       | 570549    | 3         | 570867    | 4     |
| 570215    | 7                       | 570552    | 3         | 570871    | 4     |
| 570216a   | 7                       | 570556    | 3         | 570877    | 4, 20 |
| 570221    | 7                       | 570557k   | 3         | 570878    | 4     |
| 570226    | 7                       | 570561    | 3         | 570882    | 4     |
| 570227    | 7                       | 570563    | 3         | 570884    | 4     |
| 570229a   | 7                       | 570566    | 3         | 570891    | 4     |
| 570233a   | 7                       | 570572    | 3         | 570895    | 4     |
| 570234    | 7                       | 570577a   | 3         | 570901    | 4     |
| 570238    | 7                       | 570578    | 3         | 570903    | 4     |
| 570243    | 7                       | 570579    | 3         | 570905k   | 4     |
| 570246    | 7                       | 570582    | 3         | 570907    | 4     |

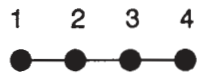
| Best.-Nr. | Tafel | Best.-Nr. | Tafel | Best.-Nr. | Tafel          |
|-----------|-------|-----------|-------|-----------|----------------|
| 570910    | 4     | 5701218   | 8     | 5701518   | 17             |
| 570911    | 4     | 5701220   | 8, 20 | 5701581   | 7              |
| 570912    | 4     | 5701224   | 8     | 5701588   | 7              |
| 570919    | 4     | 5701228   | 8     | 5701589   | 7              |
| 570923    | 4     | 5701241q  | 1     | 5701590   | 7              |
| 570924    | 4     | 5701242   | 1     | 5701594   | 7, 17          |
| 570926    | 4     | 5701243a  | 1     | 5701600a  | 7              |
| 570934    | 1, 4  | 5701245   | 1     | 5701601   | 7              |
| 570936k   | 4     | 5701249   | 1     | 5701605   | 7              |
| 570938a   | 4     | 5701250   | 1     | 5701607   | 7              |
| 570938    | 4, 18 | 5701252   | 1     | 5701608   | 7              |
| 570939a   | 4     | 5701253   | 1     | 5701631   | 7              |
| 570941    | 4     | 5701256   | 1     | 5701637   | 7              |
| 570949    | 4     | 5701281   | 3     | 5701641   | 7              |
| 570961    | 4     | 5701283k  | 3     | 5701651   | 7              |
| 570962    | 4     | 5701284   | 3     | 5701654   | 7              |
| 570967    | 4     | 5701285   | 3     | 5701656   | 7              |
| 570974    | 4     | 5701286   | 3     | 5701658   | 7              |
| 570978    | 4, 12 | 5701287   | 3, 4  | 5701672   | 21             |
| 570984    | 1     | 5701292k  | 4     | 5701684   | 21             |
| 570986    | 1     | 5701295   | 4     | 5701687   | 21             |
| 570988    | 1     | 5701322   | 8     | 5701689   | 21             |
| 5701011   | 1     | 5701332   | 6     | 5701690   | 21             |
| 5701015   | 1     | 5701334   | 6     | 5701702   | 9              |
| 5701018   | 1     | 5701336   | 6     | 5701703   | 9              |
| 5701021   | 1     | 5701339   | 6     | 5701801   | 12             |
| 5701022   | 1     | 5701346   | 6     | 5701803   | 12             |
| 5701026   | 8     | 5701347   | 6     | 5701807   | 12             |
| 5701032   | 8     | 5701348   | 6     | 5701836   | 10             |
| 5701033   | 8     | 5701349   | 6     | 5701931   | 12             |
| 5701038   | 7     | 5701350   | 6     | 5701932   | 12             |
| 5701041   | 7     | 5701352   | 6     | 5701953   | 10             |
| 5701043a  | 7     | 5701353   | 6     | 5701954   | 10             |
| 5701044   | 7     | 5701357   | 6     | 5701969   | 10             |
| 5701046a  | 7     | 5701359   | 6     | 5701981   | 10             |
| 5701047   | 7     | 5701360   | 6     | 5702014   | 18             |
| 5701048   | 7     | 5701362   | 6     | 5702015   | 18             |
| 5701051   | 7     | 5701363   | 6     | 5702031   | 18             |
| 5701053a  | 8     | 5701364   | 6     | 5702033   | 18             |
| 5701058   | 8     | 5701366   | 6     | 5702041   | 18             |
| 5701091   | 5     | 5701367   | 6     | 5702048   | 18             |
| 5701091a  | 5, 19 | 5701368   | 6     | 5702055   | 18             |
| 5701093   | 5, 19 | 5701371   | 6     | 5702056   | 18             |
| 5701101   | 5     | 5701372   | 6     | 5702061   | 18             |
| 5701111   | 5, 19 | 5701381   | 6     | 5702103   | 10, 13         |
| 5701106   | 5, 19 | 5701386   | 6     | 5702105   | 10             |
| 5701117   | 5, 19 | 5701387   | 6     | 5702105b  | 10             |
| 5701129   | 5     | 5701388   | 6     | 5702134   | 10, 15         |
| 5701133   | 5, 19 | 5701391   | 6     | 5702135   | 10, 15         |
| 5701134   | 5, 19 | 5701392   | 6     | 5702136   | 10, 15         |
| 5701136   | 5, 19 | 5701394   | 6     | 5702137   | 10, 15         |
| 5701147   | 5     | 5701398   | 6     | 5702141   | 10, 15         |
| 5701152   | 5     | 5701399   | 6     | 5702146   | 10, 15         |
| 5701156   | 5, 19 | 5701400   | 6     | 5702151   | 10, 16         |
| 5701161   | 5, 19 | 5701401   | 6     | 5702159   | 10, 15, 16     |
| 5701165   | 5, 19 | 5701404   | 6     | 5702171   | 2              |
| 5701169   | 5, 19 | 5701406   | 6     | 5702207   | 10             |
| 5701173   | 5, 19 | 5701409   | 6     | 5702207a  | 10             |
| 5701174   | 5, 19 | 5701410   | 6     | 5702211   | 14             |
| 5701177   | 5, 19 | 5701439a  | 7     | 5702212   | 14             |
| 5701182   | 5, 19 | 5701456   | 9     | 5702216   | 13             |
| 5701184   | 5, 19 | 5701459   | 9     | 5702341   | 17             |
| 5701190   | 5, 19 | 5701474   | 5, 19 | 5702346   | 11, 17         |
| 5701192   | 5, 19 | 5701477   | 5, 19 | 5702347   | 11, 13, 14, 17 |
| 5701197   | 5, 19 | 5701481   | 6     | 5702350   | 11, 17         |
| 5701198   | 5, 19 | 5701485   | 5, 19 | 5702380   | 16             |
| 5701199a  | 5, 19 | 5701490   | 5     | 5702381   | 16             |
| 5701201   | 5, 19 | 5701492   | 6     | 5702382   | 16             |
| 5701209   | 5, 19 | 5701493   | 6     | 5702383   | 16             |
| 5701215   | 8     | 5701516   | 17    | 5702385   | 16             |
| 5701217   | 8     |           |       |           |                |

| Best.-Nr. | Tafel      | Best.-Nr. | Tafel                  | Best.-Nr. | Tafel         |
|-----------|------------|-----------|------------------------|-----------|---------------|
| 5702397   | 16         | 57093112  | 13, 14                 | 7449058   | 9             |
| 5702398   | 16         | 57093115  | 13, 16                 | 7449513   | 10            |
| 5702408   | 16         | 57093131  | 15                     | 74420610  | 20            |
| 5702411   | 16         | 57093132  | 15                     | 74421026  | 3             |
| 5702413   | 16         | 57093133  | 15                     | 74422392  | 10            |
| 5702416   | 16         | 57093139  | 15                     | 74422393  | 10            |
| 5702425   | 16         | 57093143  | 15                     | 74450243  | 10            |
| 5702428   | 16         | 57093168  | 15                     | 746768    | 10            |
| 5702434   | 16         | 57093171  | 15                     | 746879    | 5, 19         |
| 5702441   | 16         | 57093172  | 15                     | 79715     | 10            |
| 5702454   | 4          | 57095305  | 13                     | 7971029   | 10            |
| 5702457k  | 4          | 57095306  | 13                     | 90297     | 16            |
| 57010007  | 2, 14      | 57095311  | 13                     | 902446    | 1             |
| 57010663  | 16         | 57095322  | 13                     | 902514    | 3             |
| 57017022  | 10         | 57095991  | 14                     | 902602    | 1             |
| 57017023  | 10, 16     | 57095997  | 14                     | 902670    | 4, 16         |
| 57017026  | 10, 15, 16 | 57096001  | 14                     | 902707    | 4             |
| 57017311  | 16         | 57096004  | 14                     | 9021197   | 6             |
| 57017327  | 16         | 57096011  | 14                     | 91140     | 4             |
| 57017360  | 16         | 57096021  | 14                     | 91144     | 1             |
| 57017363  | 16         | 57096028  | 14                     | 911140    | 1             |
| 57017368  | 16         | 57098131  | 19                     | 911150    | 1             |
| 57017404  | 3          | 57098133  | 19                     | 911291    | 2, 14, 18     |
| 57018045k | 4          | 57098139  | 19                     | 911307    | 3             |
| 57080724  | 10         | 57098145  | 19                     | 911339    | 2, 14         |
| 57080744  | 10         | 57098146  | 19                     | 911376    | 3             |
| 57080747  | 10         | 57098152  | 19                     | 911668    | 5, 19         |
| 57092901  | 4          | 57098154  | 19                     | 911674    | 9             |
| 57092904a | 4          | 57098214  | 20                     | 911693k   | 9             |
| 57092908a | 4          | 57098219  | 20                     | 911695    | 9             |
| 57092909a | 4          | 570100916 | 20                     | 911696    | 9             |
| 57092911  | 4          | 65072     | 18                     | 912701    | 9             |
| 57092912a | 4          | 650186    | 2, 14, 18              | 912705    | 9             |
| 57092917a | 4          | 650292    | 3, 4, 12               | 912706    | 9             |
| 57092920  | 1          | 650347    | 3, 4, 7, 14            | 913754    | 2             |
| 57092921  | 4          | 700444    | 5, 19                  | 9312131   | 8             |
| 57092925  | 4          | 70220     | 7                      | 933182    | 20            |
| 57092963  | 2, 14      | 702117    | 16                     | 933587    | 3, 10, 15, 16 |
| 57092964  | 2, 14      | 702229    | 2, 3, 6, 7, 10, 15, 16 | 9335658   | 12            |
| 57092971  | 13         | 711444    | 8                      | 93311777  | 10            |
| 57092974a | 14         | 718155    | 20                     | 93321723  | 12            |
| 57092976  | 2, 14      | 719279    | 5, 19                  | 93363893  | 14            |
| 57092991  | 2, 14, 18  | 719280    | 6                      | 93363984  | 4             |
| 57092992  | 2, 14, 18  | 72042a    | 10, 20                 | 93379929  | 8             |
| 57093001  | 14         | 72049a    | 9                      | 9424586   | 8             |
| 57093005  | 14         | 72043     | 3, 5, 6, 10, 19        | 1001360   | 7             |
| 57093006  | 14         | 720589    | 1                      | 10011153  | 20            |
| 57093011  | 13         | 72153     | 10                     | 10011162  | 5             |
| 57093021  | 13         | 72171     | 10                     | 10019108  | 5, 19         |
| 57093025  | 14         | 7221139   | 20                     | 10019129  | 16            |
| 57093026  | 14         | 72332     | 3                      | 10019130  | 7             |
| 57093028  | 14         | 739297    | 7                      | 10019165  | 10, 15, 16    |
| 57093030  | 14         | 739347    | 12                     | 10019228  | 16            |
| 57093032  | 13         | 7391170a  | 10, 15, 16             | 10019236  | 3             |
| 57093041k | 13         | 7422096   | 10                     | 1005233   | 4             |
| 57093051  | 14         | 7422244   | 10                     | 10052160  | 7             |
| 57093053  | 14         | 7422273   | 19                     | 10059201  | 2             |
| 57093062  | 14         | 7425096   | 6                      | 93002119  | 2, 3, 5, 19   |
| 57093066  | 14         | 7425110a  | 10                     | 93019210  | 3             |
| 57093071  | 14         | 7441017   | 20                     |           |               |
| 57093073  | 14         | 7441115   | 12                     |           |               |
| 57093077  | 14         | 7441658   | 5, 19                  |           |               |
| 57093078  | 14         | 7441793a  | 10                     |           |               |
| 57093081  | 14         | 7441802   | 10                     |           |               |
| 57093086  | 14         | 7441802a  | 10                     |           |               |
| 57093088  | 4, 14      | 7441802b  | 10                     |           |               |
| 57093091  | 17         | 7441804   | 10                     |           |               |
| 57093096  | 17         | 7441804a  | 10                     |           |               |
| 57093098  | 16         | 7441804b  | 10                     |           |               |
| 57093101  | 15         | 7443142   | 8, 19                  |           |               |



Auf den nachfolgenden Blättern sind die Nahtbilder der in den Übersichtsblättern angegebenen Einrichtungen der Kl. 570 vergrößert wiedergegeben.

Um die Stichfolge besser darstellen zu können, wurde folgende Regel festgelegt:



Zwischen den Einstichen besteht ein Abstand.



Berühren sich die Einstichpunkte in der zeichnerischen Darstellung, so bedeutet das, daß die Nadel mehrfach in dasselbe Einstichloch sticht (Verknotungsstich).

Die Nahtbilder sind in unterschiedlichen Maßstäben dargestellt.  
Die maximalen Maße der Naht (Riegel) sind den Einrichtungen-Übersichtsblättern zu entnehmen.

The following sheets show pattern of seams of cl. 570 equipment, specified on the respective sheets.

For a better illustration of the stitch sequence, following rules have been adopted:



With spaces between the stitches.



If the stitches are touching each other, the needle stitches several times in the same hole (tying stitch).

The enlarged seam patterns are based on different scales. For the true sizes see the equipment sheets.

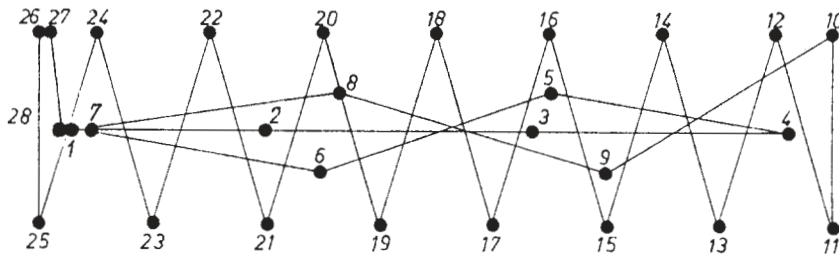


Abb. / Fig. 1

570-122811 /E518;/E586;/E686;/E786  
132811 /E 518;/E586;/E686;/E786

570-132820 /E644



Abb. / Fig. 2

570-122811 /E554  
132811 /E554

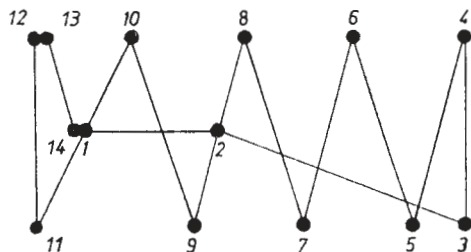


Abb. / Fig. 3

570-122811 /E569  
132811 /E569

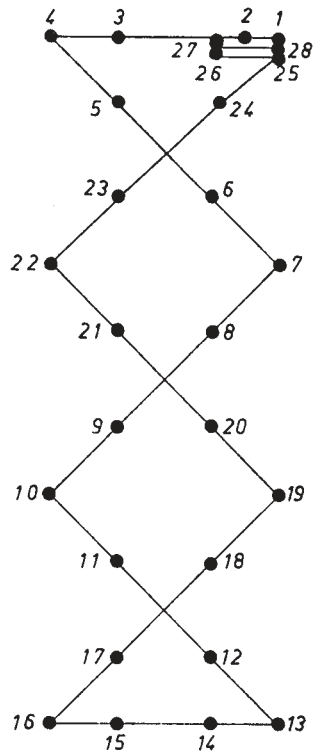


Abb. / Fig. 4

570-122811 /E591  
132811 /E591

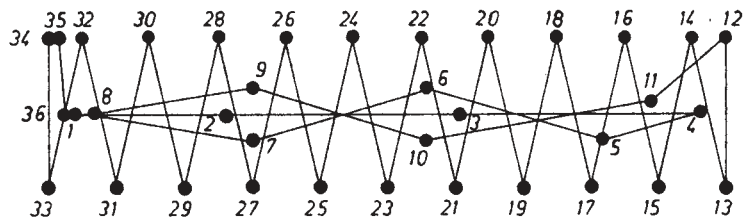


Abb. / Fig. 5

570-123611 /E565; /E562; E665  
133611 /E565; /E562; /E665

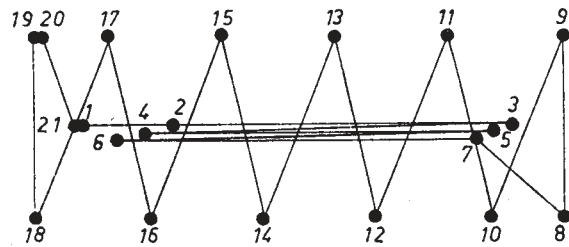


Abb. / Fig. 6

570-124206 /E451  
134206



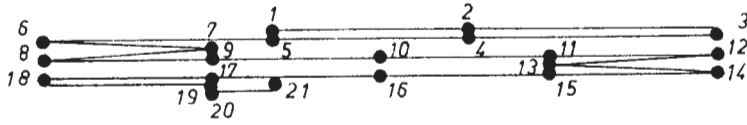


Abb. / Fig. 7

570-124211 /E584  
134211 /E584

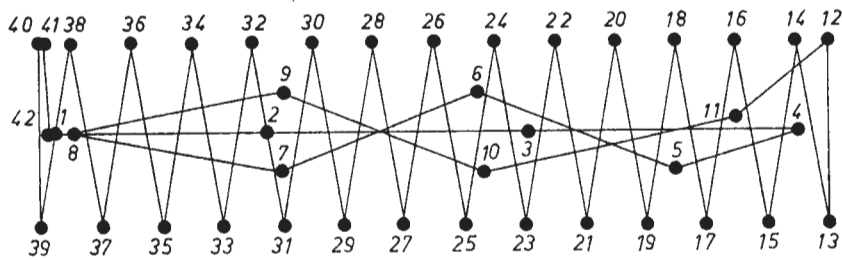


Abb. / Fig. 8

570-124211 /E588; /E688; /E788  
134211 /E588; /E688; /E788

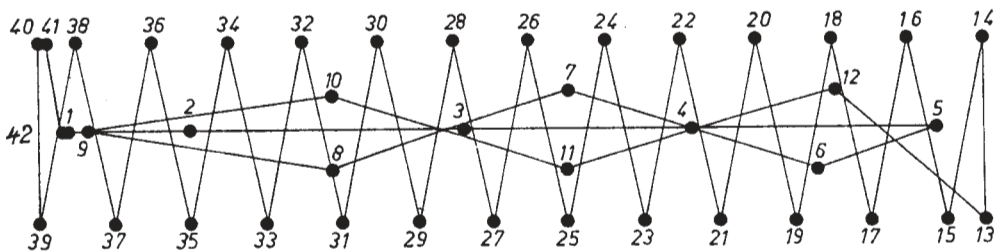


Abb. / Fig. 9

570-124211 /E590  
134211 /E590

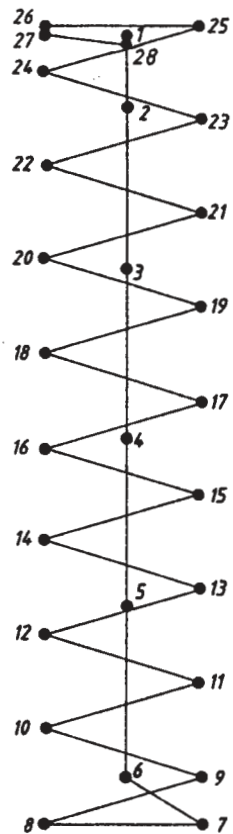


Abb. / Fig. 10

570-122811 /E592  
132811 /E592

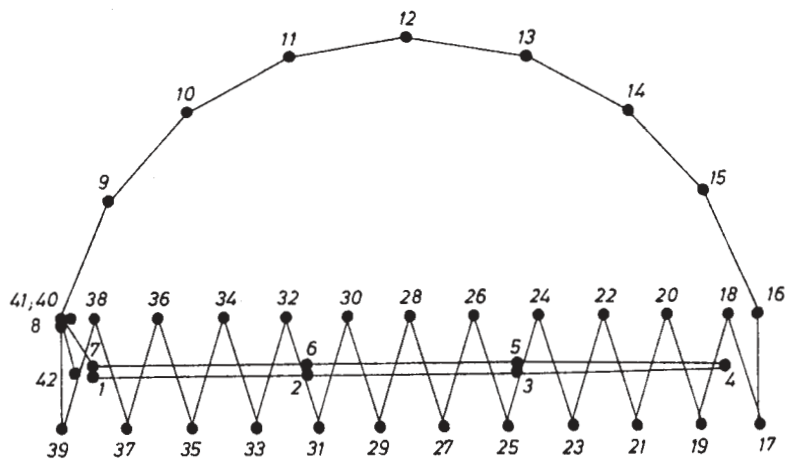


Abb. /Fig. 11

570-124211 /E583  
134211 /E583

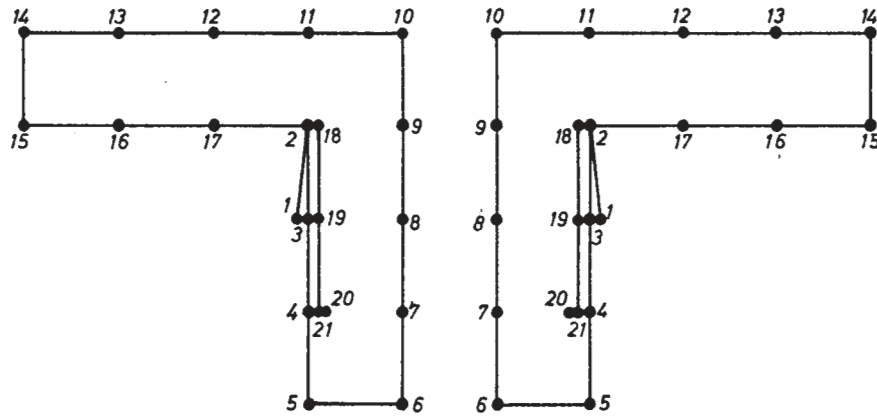


Abb. / Fig. 12




570-124211 /E777  
134211 /E777


|  |  |  |  |   |   |
|--|--|--|--|---|---|
|  | <b>Einrichtungen der</b><br><b>Equipment of</b>  | 570-122811<br>-132811  | <b>Blatt</b><br><b>Sheet 1</b>                                     | <b>Schneckentrieb kompl.</b><br><b>Worm drive, compl.</b> 5702211             | <b>Art der Klammer:</b> Klammer mit zwei vertikal beweglichen Füßen.<br><b>Clamp type:</b> Clamp with two feet, swinging vertically |
|  | <b>Doppelsteppstich-, Riegel- u. Kurznahtautomat</b><br><b>Automatic lockstitch bartacking and shortseam machine</b> | 28 Stiche pro Kurvenscheibenumdrehung<br>28 Stitches per control disc revolution               | Mit anschraubbaren Klammerfüßen.<br>With screw fastened clamp feet | <b>Schnecke, Zähnezahl</b> 5<br><b>Worm No. of teeth</b>                      | <b>Teile-Nr. der Klammer ohne Füße für und Stoffauflageblech:</b> für-122811 Nr. 57093131   |
|  | Stiche min, normaler Klammerdurchgang usw.<br>2000 Stitches min, standard clamp passage etc.                         | Stiche min, großer Klammerdurchgang usw.<br>122811=2500 Stitches min, great clamp passage etc. | <b>Rad, Zähnezahl</b> 35<br><b>Gear No. of teeth</b>               | <b>Ref.-No. of the clamp without feet für and fabric rest plate:</b> für- Nr. |   |

**E500-E599** Fadenabschneider für sehr kurze Fadenenden (ca. 1 mm). Eingerichtet für normale Nähgut- und Garndicken, z.B. Umspinnzwirn bis Nm 80/3, Baumwolle NeB 40/3 und Poly-Fasergarn bis Nm 70/3.  
Mit Fadenspannung 570 92963.

**E500-E599** Thread cutter for very short thread ends (about 1 mm). Equipped for normal fabric and thread thickness e.g. core thread up to Nm 80/3, cotton up to NeB 40/3 and poly-fibre thread up to Nm 70/3.  
With thread tension 570 92963.


| E-Nr.<br>E-No | Nahtbild<br>Seam pattern<br> | Stiche pro Naht<br>No. of st. per seam part | A<br>mm | B<br>mm | Abb. Nr.<br>Fig. No. | Kurvenscheibe kompl.<br>Control disc compl. | Fadenleitblech<br>Thread guide | Klammerfuß- Clamp foot-       |                                |                    |                           | Stoffauflageblech<br>Fabric rest plate | Fingerschutz<br>Finger-guard | Begrenzungsblech für Nahtbildmaß A<br>Limiting plate for seam pattern measure A | Stichplatte für Nahtbildmaß B<br>Throat plate for seam pattern measure B | Stichplatte vollst.<br>Throat plate compl. | Stichplatten-einsatz<br>Throat plate insert | Stichlochgröße<br>Sitch hole size mm | Messer Gegenmesser<br>Counter-knife | Messer<br>Knife | Nadel-system/dicke<br>Needle system/size | Verwendungszweck und Bemerkungen<br>Use and Remarks   | E-Nr.<br>E-No |
|---------------|------------------------------|---|---------|---------|----------------------|---|--------------------------------|-------------------------------|--------------------------------|--------------------|---------------------------|--|------------------------------|---|--|--|---|--------------------------------------|-------------------------------------|-----------------|--|---|---------------|
|               |                              |   |         |         |                      |   |                                | Unterteil links<br>bottom l/h | Unterteil rechts<br>bottom r/h | zusätzl.<br>addit. | Aus-schnitt<br>cut out mm |  |                              |   |  |  |   |                                      |                                     |                 |  |   |               |
| E554          |                              | 28  | 16-25   | 0       | 2                    | 570 96123                                   | 570 989                        | 570 18029a                    | 570 18028a                     |                    | 28x2                      | 570 18025                              | 570 2150                     | 570 2447  | 570 95337  | 570 92901                                  | 570 92905                                   | Ø                                    | 570 92908a                          | 570 92917a      | 797 Forte 100                            | Verriegeln von Sakko-schlitz-zen, Paspeltascheneingriffen usw.<br>Bartacking jacket vents, pocket openings etc. | E554          |
| E569          |                              | 14  | 0-2,5   | 0-2,5   | 3                    | 570 96173                                   | 570 989                        | 570 18093                     | 570 18092                      |                    | 8x3,6                     | 570 18094                              | 570 2150                     | 570 2729  | 570 2592   | 570 92895                                  | 570 92907a                                  | Ø                                    | 570 92908a                          | 570 92917a      | 797 Forte 80                             | Verriegeln von Überwendlich- und Flatlocknähten.<br>Bartacking overlock- and flatlock seams.                    | E569          |
| E586          |                              | 28  | 4-16    | 0-3     | 1                    | 570 96152                                   | 570 989                        | 570 18087a                    | 570 18086a                     |                    | 19x4,6                    | 570 18083                              | 570 2150                     | 570 434   | 570 10371  | 570 92901                                  | 570 92905                                   | Ø                                    | 570 92908a                          | 570 92917a      | 797 Forte 100                            | Riegelarbeiten an Tascheneingriffen, Schlitz-zen usw.<br>Bartacking: pocket openings, slits, etc.               | E586          |
| E518          |                              | 28  | 4-16    | 0-2     | 1                    | 570 96152                                   | 570 989                        | 570 93283                     | 570 93282                      |                    | 19x3,2                    | 570 93284                              | 570 2150                     | 570 434   | 570 50420  | 570 92891                                  | 570 92907                                   | Ø                                    | 570 92908a                          | 570 92917a      | 797 Forte 80                             | Riegelarbeiten in feiner Wirk- und Maschenware, z.B. Trikot.<br>Bartacking fine knitwear e.g. Tricot.           | E518          |

|  <b>Einrichtungen der<br/>Equipment of</b>  |   | 570-122811<br>-132811   |       | <b>Blatt<br/>Sheet 2</b>   |   | <b>Schneckentrieb kompl.<br/>Worm drive, compl.</b> 5702211       |                                     | <b>Art der Klammer:</b> Klammer mit zwei vertikal beweglichen Füßen.<br><b>Clamp type:</b> Clamp with two feet, swinging vertically                                     |                    |   |                                       |  |  |  |  |                                  |                                       |   |  |               |                 |   |      |
|---|---|---|-------|--|---|---|-------------------------------------|---|--------------------|---|---------------------------------------|--|--|--|--|----------------------------------|---------------------------------------|---|--|---------------|-----------------|---|------|
| <b>Doppelstepstich-, Riegel- u. Kurznahtautomat<br/>Automatic lockstitch bartacking and shortseam machine</b>   |   | 28 Stiche pro Kurvenscheibenumdrehung<br>28 stitches per control disc revolution  |       | 2000 Stiche min, normaler Klammerdurchgang usw.<br>Stitches min, standard clamp passage etc. |   | Mit anschraubbaren Klammerfüßen<br>With screw fastened clamp feet |                                     | <b>Teile-Nr. der Klammer ohne Füße für und Stoffauflageblech:</b> für- 122811 Nr. 57093131<br><b>Ref.-Nr. of the clamp without feet and fabric rest plate:</b> für- Nr. |                    |   |                                       |  |  |  |  |                                  |                                       |   |  |               |                 |   |      |
| -122811=2500 Stiche min, großer Klammerdurchgang usw.<br>Stitches min, great clamp passage etc.   |   |   |       |  |   |   |                                     |   |                    |   |                                       |  |  |  |  |                                  |                                       |   |  |               |                 |   |      |
| <b>E500-E599</b> Fadenabschneider für sehr kurze Fadenenden (ca. 1 mm). Eingerichtet für normale Nähgut- und Garndicken. z.B. Umspinnzwirn bis Nm 80/3, Baumwolle bis Ne8 40/3 und Poly-Fasergarn bis Nm 70/3.<br>Mit neuem Seitendeckel 57096252, und Fadenspannung 570 92963. |   | <b>E500-E599</b> Thread cutter for very short thread ends (about 1mm). Equipped for normal fabric and thread thickness, e.g. core thread up to Nm 80/3, cotton up to Ne8 40/3 and poly-fibre thread up to Nm 70/3.<br>With new side cover 57096252, and thread tension 570 92963. |       |  |   |   |                                     |   |                    |   |                                       |  |  |  |  |                                  |                                       |   |  |               |                 |   |      |
| E-Nr.<br>E-No   | Nahtbild<br>Seam pattern  | Stichzahl pro Naht<br>No. of st per seam part   |       |  | Kurven-<br>scheibe<br>kompl.<br>Control<br>disc<br>compl. | Faden-<br>leit-<br>blech<br>Thread<br>guide                       | Klammerfuß- Clamp foot-             |   |                    | Stoffauf-<br>lageblech<br>Fabric<br>rest<br>plate | Finger-<br>schutz<br>Finger-<br>guard | Begrenzungsblech<br>Limiting plate<br>für Nahtbild-<br>maß A<br>for seam<br>pattern<br>measure A | Stichplatte<br>Throat plate<br>Stich-<br>platte-<br>vollst.<br>Throat<br>plate<br>compl. | Stich-<br>platten-<br>einsatz<br>Throat<br>plate<br>insert | Stich-<br>loch-<br>größe<br>Stitch<br>hole<br>size<br>mm | Messer<br>Knife                  |                                       | Nadel-<br>system/<br>dicke<br>Needle<br>system/<br>size | Verwendungszweck und<br>Bemerkungen<br>Use and Remarks | E-Nr.<br>E-No |                 |   |      |
|   |   | A   | B     | Abb.<br>Nr.<br>Fig.<br>No.   |   |   | Unterteil<br>links<br>bottom<br>l/h | Unterteil<br>rechts<br>bottom<br>r/h  | zusätzl.<br>addit. |   |                                       |  |  |  |  | Aus-<br>schnitt<br>cut out<br>mm | Gegen-<br>messer<br>Counter-<br>knife |   |  |               | Messer<br>Knife |   |      |
| E591  |  | 28  | 2-10  | 11-20  | 4   | 570<br>96203  | 570<br>989                          | 570<br>96212  | 570<br>96213       | 570<br>96218                                      | 21,6x<br>11,8                         | 570<br>96214   | 570<br>96215   | 570<br>96217   | 570<br>96216   | 570<br>92891                     | 570<br>92907                          | Ø<br>1,5  | 570<br>92908a  | 570<br>92917a | 797/90          | Zunähen des Sakko-Tascheneinschnittes im Bereich der Seitenteilnaht.<br>Closing of jacket pocket openings in the section of the side panel seam | E591 |
| E592  |  | 28  | 1,5-3 | 15-20  | 10  | 570<br>96243  | 570<br>989                          | 570<br>96245  | 570<br>96246       | -   | 21,6x<br>4,6                          | 570<br>96247   | 570<br>96248   | 570<br>96250   | 570<br>96249   | 570<br>92901                     | 570<br>92905                          | Ø<br>2,1  | 570<br>92908a  | 570<br>92917a | 797/<br>100     | Allgemeine Riegelarbeiten<br>General bartacking   | E592 |
| *) Gehören nicht zum normalen Lieferumfang. Are not included in the normal supply.<br>1) Nr. der Nahtbildzeichnung. Seam pattern No.  |   |   |       |  |   |   |                                     |   |                    |   |                                       |  |  |  |  |                                  |                                       |   |  |               |                 |   |      |



|   |  |  |   |   |  |
|---|--|--|---|---|--|
|  | <b>Einrichtungen der</b><br><b>Equipment of</b>  | 570-122811<br>-132811  | <b>Blatt</b><br><b>Sheet</b> 3                                    | <b>Schneckentrieb kompl.</b><br><b>Worm drive, compl.</b> 5702211 | <b>Art der Klammer:</b> Klammer mit zwei vertikal beweglichen Füßen.<br><b>Clamp type:</b> Clamp with two feet, swinging vertically. |
|   | <b>Doppelsteppstich-, Riegel- u. Kurznahtautomat</b><br><b>Automatic lockstitch bartacking and shortseam machine</b> | 28 Stiche pro Kurvenscheibenumdrehung<br>28 stitches per control disc revolution | Mit anschraubbaren Klammerfüßen<br>With screw fastened clamp feet | <b>Schnecke, Zähnezahl</b><br><b>Worm Na. of teeth</b> 5          | <b>Teile-Nr. der Klammer ohne Füße für</b> 122811 Nr. 57093131<br><b>und Stoffauflageblech: für</b>                                  |
|   | 2000 Stiche min, normaler Klammerdurchgang usw.<br>Stitches min, standard clamp passage etc.                         |  |   | <b>Rad, Zähnezahl</b><br><b>Gear No. of teeth</b> 35              | <b>Ref.-No. of the clamp without feet für</b><br><b>and fabric rest plate: für</b> Nr.   |
|   | -122811=2500 Stiche min, großer Klammerdurchgang usw.<br>Stitches min, great clamp passage etc.                      |  |   |   |  |

E600-E699 Fadenabschneider für längere Fadenenden (ca. 6mm). Für dickes, festes Nähgut (Jeans) u. Garne, z.B. Umspinnzwirn: Obergarn bis Nm 25/2, Untergarn bis Nm 50/2. Baumwolle: Obergarn bis Ne8 20/3, Untergarn bis Ne8 40/3. Poly-Fasergarn Obergarn bis Nm 30/3, Untergarn bis Nm 70/3. Mit dicker Spannungsfeder 055400.



E600-E699 Thread cutter for longer thread ends (about 6 mm). For thick and dense material (Jeans) and threads like core thread up to Nm 25/2 (needle) and up to Nm 50/2 (bobbin). Cotton up to Ne8 20/3 (needle) and up to Ne8 40/3 (bobbin). Poly-fibre thread up to Nm 30/3 (needle) and Nm 70/3 (bobbin). With thicker tension spring 055400.

| E-Nr.<br>E-No | Nahtbild Seam pattern   |    | Kurven-<br>scheibe<br>kompl.<br>Control<br>disc<br>compl. | Faden-<br>leit-<br>blech<br>Thread<br>guide | Klammerfuß- Clamp foot-          |                                     |                                      |                    | Stoffauf-<br>lageblech<br>Fabric<br>rest<br>plate | Finger-<br>schutz<br>Finger-<br>guard | Begrenzungsblech<br>Limiting plate | Stichplatte<br>Throat plate      |                              | Messer<br>Knife               |                          | Nadel-<br>system/<br>dicke<br>Needle<br>system/<br>size | Verwendungszweck und<br>Bemerkungen<br>Use and Remarks | E-Nr.<br>E-No |                                    |   |      |
|---------------|---|----|---|---|----------------------------------|-------------------------------------|--------------------------------------|--------------------|---|---------------------------------------|------------------------------------|----------------------------------|------------------------------|-------------------------------|--------------------------|---|--|---------------|------------------------------------|---|------|
|               | A   | B  |   |   | 1)<br>Abb.<br>Nr.<br>Fig.<br>No. | Unterteil<br>links<br>bottom<br>l/h | Unterteil<br>rechts<br>bottom<br>r/h | zusätzl.<br>addit. |   |                                       |                                    | Aus-<br>schnitt<br>cut out<br>mm | Stich-<br>platte-<br>vollst. | Stich-<br>platten-<br>einsatz | Stich-<br>loch-<br>größe |   |  |               | Unter-<br>messer<br>Lower<br>knife | Ober-<br>messer<br>Upper<br>knife   |      |
| E686          |  | 28 | 4-<br>16  | 0-3<br>1                                    | 570<br>96152                     | 570<br>989                          | 570<br>18087a                        | 570<br>18086a      | 19x4,6  | 570<br>93245                          | 570<br>2150                        | 570<br>434                       | 570<br>10371                 | 570<br>180454                 | 570<br>18046             | Ø<br>2,6  | 570961   | 570962        | 797<br>Forte<br>120                | Riegelarbeiten in Jeans<br>und Freizeitkleidung<br>Bartacking: Jeans and<br>leisure time garments | E686 |



|  <b>Einrichtungen der Equipment of</b>   |   | 570-122811<br>-132811 |   | <b>Blatt Sheet 4</b>   |                            | <b>Schneckentrieb kompl. Worm drive, compl.</b> 5702211  |                                      | <b>Art der Klammer.</b> Klammer mit zwei vertikal beweglichen Füßen.<br><b>Clamp type:</b> Clamp with two feet, swinging vertically. |   |                                       |                                    |                                  |   |  |  |   |  |               |                                      |                 |                     |  |      |
|--|---|-----------------------|---|--|----------------------------|--|--------------------------------------|--|---|---------------------------------------|------------------------------------|----------------------------------|---|--|--|---|--|---------------|--------------------------------------|-----------------|---------------------|--|------|
| <b>Doppelsteppstich-, Riegel- u. Kurznahtautomat</b><br><b>Automatic lockstitch bartacking and shortseam machine</b>   |   |                       |   | 28 Stiche pro Kurvenscheibenumdrehung<br>28 stitches per control disc revolution |                            | <b>Schnecke, Zähnezahl Worm No. of teeth</b> 5   |                                      | <b>Teile-Nr. der Klammer ohne Füße für und Stoffauflageblech:</b> für 122811 Nr. 57093131  |   |                                       |                                    |                                  |   |  |  |   |  |               |                                      |                 |                     |  |      |
| 2000 Stiche min, normaler Klammerdurchgang usw.<br>2000 Stiches min, standard clamp passage etc.   |   |                       |   | Mit anschraubbaren Klammerfüßen<br>With screw fastened clamp feet                |                            | <b>Rad, Zähnezahl Gear No. of teeth</b> 35   |                                      | <b>Ref.-No. of the clamp without feet für and fabric rest plate:</b> für Nr.   |   |                                       |                                    |                                  |   |  |  |   |  |               |                                      |                 |                     |  |      |
| -122811= 2500 Stiche min, großer Klammerdurchgang usw.<br>-122811= 2500 Stiches min, great clamp passage etc.  |   |                       |   |  |                            | <b>E700-E799 Fadenabschneider für sehr kurze Fadenenden (ca. 1mm) Für dickes, festes Nähgut (Jeans) u. Garne, z.B. Umspinnzwirn: Obergarn bis Nm 25/2, Untergarn bis Nm 50/2. Baumwolle: Obergarn bis Ne8 20/3, Untergarn bis Ne8 40/3. Poly-Faser-garn: Obergarn bis Nm 30/3, Untergarn bis Nm 70/3. Mit Spannungsfeder 055400.</b> |                                      |  |   |                                       |                                    |                                  |   |  |  |   |  |               |                                      |                 |                     |  |      |
| <b>E700-E799 Thread cutter for very short thread ends (about 1 mm). For thick and dense material (Jeans) and threads like core thread up to Nm 25/2 (needle) and up to Nm 50/2 bobbin). Cotton up to Ne8 20/3 (needle) and up to Ne8 40/3 (bobbin). Poly-fibre thread up to Nm 30/3 (needle) and Nm 70/3 (bobbin). With thicker tension spring 055400.</b> |   |                       |   |  |                            |  |                                      |  |   |                                       |                                    |                                  |   |  |  |   |  |               |                                      |                 |                     |  |      |
| E-Nr.<br>E-No  | Nahtbild Seam pattern   |                       | Klammern-<br>scheibe<br>kompl.<br>Control<br>disc<br>compl. | Faden-<br>leit-<br>blech<br>Thread<br>guide                                      | Klammerfuß- Clamp foot-    |  |                                      |  | Stoffauf-<br>lageblech<br>Fabric<br>rest<br>plate | Finger-<br>schutz<br>Finger-<br>guard | Begrenzungsblech<br>Limiting plate | Stichplatte<br>Throat plate      |   | Messer<br>Knife  |  | Nadel-<br>system/<br>dicke<br>Needle<br>system/<br>size | Verwendungszweck und<br>Bemerkungen<br>Use and Remarks | E-Nr.<br>E-No |                                      |                 |                     |  |      |
|  | A   | B                     |   |  | Abt.<br>Nr.<br>Fig.<br>No. | Unterteil<br>links<br>bottom<br>l/h  | Unterteil<br>rechts<br>bottom<br>r/h | zusätzl.<br>additl.  |   |                                       |                                    | Aus-<br>schnitt<br>cut out<br>mm | Stich-<br>platte-<br>vollst.<br>Throat<br>plate<br>compl. | Stich-<br>platten-<br>einsatz<br>Throat<br>plate<br>insert | Stich-<br>loch-<br>größe<br>Stitch<br>hole<br>size<br>mm |   |  |               | Gegen-<br>messer<br>Counter<br>knife | Messer<br>Knife |                     |  |      |
| E786   |  | 28                    | 4-16  | 0-3  | 1                          | 570<br>96152   | 570<br>989                           | 570<br>18087a  | 570<br>18086a                                     |                                       | 19x4,6                             | 570<br>93245                     | 570<br>2150   | 570<br>434   | 570<br>10371   | 570<br>95042  | 570<br>95044   | 2,6           | 570<br>92908a                        | 570<br>92917a   | 797<br>Forte<br>120 | Riegelarbeiten in Jeans und Freizeitkleidung.<br>Bartacking: Jeans and leisure time garments | E786 |

\*) Gehören nicht zum normalen Lieferumfang. Are not included in the normal supply.  
 1) Nr. der Nahtbildzeichnung. Seam pattern No.

|  <b>Einrichtungen der<br/>Equipment of</b>   |   | 570-123611<br>-133611  |         | <b>Blatt<br/>Sheet 5</b>  |                      | <b>Schneckentrieb kompl.<br/>Worm drive, compl.</b> 57095705     |   | <b>Art der Klammer:</b> Klammer mit einem oder zwei vertikal beweglichen Füßen.<br>Clamp type: Clamp with one or two feet, swinging vertically.                         |                                  |   |   |   |                                       |  |  |  |                                       |                 |               |   |  |  |      |
|---|---|--|---------|---|----------------------|--|---|---|----------------------------------|---|---|---|---------------------------------------|--|--|--|---------------------------------------|-----------------|---------------|---|--|--|------|
| <b>Doppelsteppstich-, Riegel- u. Kurznahtautomat<br/>Automatic lockstitch bartacking and shortseam machine</b>  |   | 36 Stiche pro Kurvenscheibenumdrehung<br>36 stitches per control disc revolution   |         | 2000 Stiche min, normaler Klammerdurchgang usw.<br>Stitches min, standard clamp passage etc.<br>-123611=2500 Stiche min, großer Klammerdurchgang usw.<br>Stitches min, great clamp passage etc. |                      | Mitanschraubbaren Klammerfüßen<br>With screw fastened clamp feet |   | <b>Teile-Nr. der Klammer ohne Füße für und Stoffauflageblech:</b> für- 123611 Nr. 57093131<br><b>Ref.-No. of the clamp without feet and fabric rest plate:</b> für- Nr. |                                  |   |   |   |                                       |  |  |  |                                       |                 |               |   |  |  |      |
| <b>E500-E599</b> Fadenabschneidertyp für sehr kurze Fadenenden (ca. 1 mm). Eingrichtet für normale Nähgut- u. Garndicken, z. B. Umspinnzwirn bis Nm 80/3, Baumwolle bis NeB 40/3 und Poly-Fasergarn bis Nm 70/3. Mit Fadenspannung 570 92963. |   | <b>E500-E599</b> Thread cutter for very short thread ends (about 1 mm). Equipped for normal fabric and thread thickness, e.g. core thread up to Nm 80/3, cotton up to NeB 40/3 and poly-fibre thread up to Nm 70/3. with thread tension 570 92963. |         |   |                      |  |   |   |                                  |   |   |   |                                       |  |  |  |                                       |                 |               |   |  |  |      |
| E-Nr.<br>E-No   | Nahtbild Seam pattern   |  | A<br>mm | B<br>mm   | Abb. Nr.<br>Fig. No. | Kurven-<br>scheibe<br>kompl.<br>Control<br>disc<br>compl.        | Faden-<br>leit-<br>blech<br>Thread<br>guide | Klammerfuß- Clamp foot-   |                                  |   |   | Stoffauf-<br>lageblech<br>Fabric<br>rest<br>plate | Finger-<br>schutz<br>Finger-<br>guard | Begrenzungsblech<br>Limiting plate<br>für Nahtbild-<br>maß A<br>for seam<br>pattern<br>measure A | für Nahtbild-<br>maß B<br>for seam<br>pattern<br>measure B | Stichplatte<br>Throat plate                              |                                       | Messer<br>Knife |               | Nadel-<br>system/<br>dicke<br>Needle<br>system/<br>size | Verwendungszweck und<br>Bemerkungen<br>Use and Remarks | E-Nr.<br>E-No.   |      |
|   | Unterteil<br>links<br>bottom<br>l/h   | Unterteil<br>rechts<br>bottom<br>r/h   |         |   |                      |  |   | zusätzl.<br>addit.  | Aus-<br>schnitt<br>cut out<br>mm | Stich-<br>platte-<br>vollst.<br>Throat<br>plate<br>compl. | Stich-<br>platten-<br>einsatz<br>größe<br>Throat<br>plate<br>insert |   |                                       |  |  | Stich-<br>loch-<br>größe<br>Stitch<br>hole<br>size<br>mm | Gegen-<br>messer<br>Counter-<br>knife | Messer<br>Knife |               |   |  |  |      |
| E562  |  | 36   | 4-12    | 0-2,5   | 5                    | 570<br>96433   | 570<br>989                                  | 570<br>93272  | 570<br>93273                     |   | 14x3,6  | 570<br>96455                                      | 570<br>2150                           | 570<br>93275   | 570<br>2592  | 570<br>92901   | 570<br>92905                          | Ø<br>2,1        | 570<br>92908a | 570<br>92917a   | 797<br>Forte<br>100                                    | Riegelarbeiten an Taschen-<br>eingriffen, Schlitzen<br>etc.<br><br>Bartacking: on pocket-<br>openings, slits etc.                                | E562 |
| E565  | "   | 36   | 4-16    | 0-3   | 5                    | 570<br>96433   | 570<br>989                                  | 570<br>18087a   | 570<br>18086a                    |   | 19x4,6  | 570<br>18083                                      | 570<br>2150                           | 570<br>434   | 570<br>10371   | 570<br>92901   | 570<br>92905                          | Ø<br>2,1        | 570<br>92908a | 570<br>92917a   | 797<br>Forte<br>100                                    | Wie E562, jedoch Riegel-<br>länge von 4-16 mm und<br>Riegelbreite von 0-3 mm.<br><br>As E562, but bar length<br>4-16 mm and bar width<br>0-3 mm. | E565 |
| *) Gehören nicht zum normalen Lieferumfang. Are not included in the normal supply.<br>1) Nr. der Nahtbildzeichnung. Seam pattern No.  |   |  |         |   |                      |  |   |   |                                  |   |   |   |                                       |  |  |  |                                       |                 |               |   |  |  |      |
| Ausgabe/Edition   |   |  |         |   |                      |  |   |   |                                  |   |   |   |                                       |  | 03.91  |  | Fortsetzung Blatt/Continued sheet     |                 | 6             |   |  |  |      |








|  |  |            |  |  |   |
|--|--|------------|--|--|---|
|  | <b>Einrichtungen der Equipment of</b>  | 570-124206 | <b>Blatt Sheet 7</b>   | <b>Schneckentrieb kompl. Worm drive, compl.</b> 570294 | <b>Art der Klammer: Clamp type:</b> Klammer mit zwei vertikal und seitlich schwenkbar beweglichen Füßen (Kontraktionsklammer).<br>Clamp with two feet, swinging vertically and side ways (contraction clamps).<br><b>Teile-Nr. der Klammer ohne Füße für und Stoffauflageblech: for - Nr. clamps).</b> 124206 - 134206 57017312<br><b>Ref.-No. of the clamp without feet for and fabric rest plate: for - Nr.</b> |
|  | <b>Doppelsteppstich-, Riegel- u. Kurznahtautomat Automatic lockstitch bartacking and shortseam machine</b> |            | 42 Stiche pro Kurvenscheibenumdrehung<br>42 stitches per control disc revolution | <b>Schnecke, Zähnezahl Worm No. of teeth</b> 4         |   |
| -134206= 2000 Stiche/min, Slitches/min,<br>-124206= 2500 Stiche/min, Slitches/min, |  |            | <b>Rad, Zähnezahl Gear No. of teeth</b> 42                                       |  |   |

E400-E499 Fadenabschneidertyp für längere Fadenenden (ca. 6 mm). Eingerichtet für normale Nähgut- u. Garndicken, z.B. Umspinnzwirn bis Nm 80/3, Baumwolle bis Ne8 40/3 und Poly-Fasergarn bis Nm 70/3. Mit Fadenspannung 570 92963.



E400-E499 Thread cutter-typ for longer thread ends (about 6 mm). Equipped for normal fabric and thread thickness, e.g. core thread up to Nm 80/3, cotton up to Ne8 40/3 and poly-fibre thread up to Nm 70/3. With thread tension 570 92963.

| E-Nr.<br>E-No | Nahtbild Seam pattern |    |                            | Kurven-<br>scheibe<br>kompl.<br>1) Nr.<br>Control<br>disc<br>compl. | Faden-<br>leit-<br>blech<br>Thread<br>guide | Klammerfuß- Clamp foot-             |                                      |                    |                                  | Stoffauf-<br>lageblech<br>Fabric<br>rest<br>plate | Finger-<br>schutz<br>Finger-<br>guard | Begrenzungsblech<br>Limiting plate<br>für Nahtbild-<br>maß A<br>for seam<br>pattern<br>measure A | Stichplatte<br>Throat plate<br>Stich-<br>platte-<br>vollst.<br>Throat<br>plate<br>compl. | Stich-<br>platten-<br>einsatz<br>Throat<br>plate<br>insert | Messer<br>Knife                     |                                    | Nadel-<br>system/<br>dicke<br>Needle<br>system/<br>size | Verwendungszweck und<br>Bemerkungen<br>Use and Remarks | E-Nr.<br>E-No |                     |   |      |
|---------------|-----------------------|----|----------------------------|---|---|-------------------------------------|--------------------------------------|--------------------|----------------------------------|---|---------------------------------------|--|--|--|-------------------------------------|------------------------------------|---|--|---------------|---------------------|---|------|
|               | A                     | B  | Abb.<br>Nr.<br>Fig.<br>No. |   |   | Unterteil<br>links<br>bottom<br>l/h | Unterteil<br>rechts<br>bottom<br>r/h | zusätzl.<br>addit. | Aus-<br>schnitt<br>cut out<br>mm |   |                                       |  |  |  | Unter-<br>messer<br>Lower-<br>knife | Ober-<br>messer<br>Upper-<br>knife |   |  |               |                     |   |      |
| E451          |                       | 21 | 2-70-3                     | 6   | 570<br>97033                                | 570<br>989                          | 570<br>2401a                         | 570<br>17348       | 570<br>2391                      | 4x4,5   | 570<br>17383                          | 570<br>2444  | 570<br>2448  | 570<br>2447  | 570<br>2457K                        | 570<br>2458                        | 2.1   | 570<br>967   | 570<br>962    | 797<br>Forte<br>100 | Verriegeln von Knopflöchern. Die Klammer zieht das Knopfloch vor dem Verriegeln zusammen.<br>For bartacking buttonholes. The clamp contracts the buttonholes prior to bartacking. | E451 |


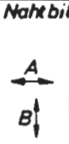




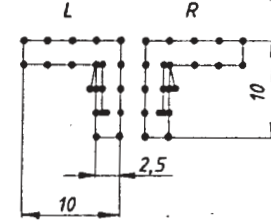
|  <b>Einrichtungen der<br/>Equipment of</b>  |   | 570-124211<br>-134211                |         | <b>Blatt<br/>Sheet 8</b>   |                                  | <b>Schneckentrieb kompl.<br/>Worm drive, compl. 570294</b>   |   | <b>Art der Klammer:</b> Klammer mit einem oder zwei vertikal beweglichen Füßen.<br><b>Clamp type:</b> Clamp with one or two feet, swinging vertically. |                                  |   |   |                                       |   |   |   |   |                                     |                 |   |  |                |                     |   |      |
|---|---|--------------------------------------|---------|--|----------------------------------|--|---|--|----------------------------------|---|---|---------------------------------------|---|---|---|---|-------------------------------------|-----------------|---|--|----------------|---------------------|---|------|
| <b>Doppelsteppstich-, Riegel- u. Kurznahtautomat<br/>Automatic lockstitch bartacking and shortseam machine</b>  |   |                                      |         | 42 Stiche pro Kurvenscheibenumdrehung<br>42 stitches per control disc revolution |                                  | <b>Schnecke, Zähnezahl<br/>Worm No. of teeth 4</b>   |   | <b>Teile-Nr. der Klammer ohne Füße für<br/>und Stoffauflageblech:</b> für 124211 Nr. 57093131  |                                  |   |   |                                       |   |   |   |   |                                     |                 |   |  |                |                     |   |      |
| 2000 Stiches min, normaler Klammerdurchgang usw.<br>2000 Stiches min, standard clamp passage etc.<br>-124211=2500 Stiches min, großer Klammerdurchgang usw.<br>-124211=2500 Stiches min, great clamp passage etc.                           |   |                                      |         | Mit abschraubbaren Klammerfüßen<br>With screw fastened clamp feet                |                                  | <b>Rad, Zähnezahl<br/>Gear No. of teeth 42</b>   |   | <b>Ref.-No. of the clamp without feet für<br/>and fabric rest plate:</b> für Nr.   |                                  |   |   |                                       |   |   |   |   |                                     |                 |   |  |                |                     |   |      |
| <b>E500-E599 Fadenabschneider für sehr kurze Fadenenden (ca. 1 mm). Eingerichtet für normale Nähgut- und Garndicken, z.B. Umspinnzwirn bis Nm 80/3, Baumwolle bis NeB 40/3 und Poly-Fasergarn bis Nm 70/3. Mit Fadenspannung 570 92963.</b> |   |                                      |         |  |                                  | <b>E500-E599 Thread cutter for very short thread ends (about 1 mm). Equipped for normal fabric and thread thickness, e.g. core thread up to Nm 80/3, cotton up to NeB 40/3 and poly-fibre thread up to Nm 70/3. With thread tension 570 92963.</b> |   |  |                                  |   |   |                                       |   |   |   |   |                                     |                 |   |  |                |                     |   |      |
| E-Nr.<br>E-No   | Nahtbild<br>Seam pattern  |                                      | A<br>mm | B<br>mm  | 1)<br>Abb.<br>Nr.<br>Fig.<br>No. | Kurven-<br>scheibe<br>kompl.<br>Control<br>disc<br>compl.  | Faden-<br>leit-<br>blech<br>Thread<br>guide | Klammerfuß- Clamp foot-  |                                  |   | Stoffauf-<br>lageblech<br>Fabric<br>rest<br>plate | Finger-<br>schutz<br>Finger-<br>guard | Begrenzungsblech<br>Limiting plate<br>für<br>Nahtbild-<br>maß A<br>for seam<br>pattern<br>measure A | für<br>Nahtbild-<br>maß B<br>for seam<br>pattern<br>measure B | Stichplatte<br>Throat plate                               |   | Messer<br>Knife                     |                 | Nadel-<br>system/<br>dicke<br>Needle<br>system/<br>size | Verwendungszweck und<br>Bemerkungen<br>Use and Remarks | E-Nr.<br>E-No. |                     |   |      |
|   | Unterteil<br>links<br>ballom<br>l/h   | Unterteil<br>rechts<br>ballom<br>r/h |         |  |                                  |  |   | zusätzl.<br>addit.   | Aus-<br>schnitt<br>cut out<br>mm | Stich-<br>platte-<br>vollst.<br>Throat<br>plate<br>compl. |   |                                       |   |   | Stich-<br>platten-<br>einsatz<br>Throat<br>plate<br>inset | Stich-<br>größe<br>Stich-<br>loch-<br>größe<br>Stitch<br>hole<br>size<br>mm | Gege-<br>messer<br>Counter<br>knife | Messer<br>Knife |   |  |                |                     |   |      |
| E584  |    |                                      | 21      | 6-14   | -                                | 7  | 570<br>96782                                | 570<br>989   | 570<br>96791                     | 570<br>96792  |   | 17 x 2                                | 570<br>96793  | 570<br>2150   | 570<br>17081  | 570<br>2447   | 570<br>92901                        | 570<br>92905    | Ø<br>2,1  | 570<br>92908a  | 570<br>92917a  | 797<br>Forte<br>100 | Anriegeln von Gürtelschlaufen<br>Attaching belt loops   | E584 |
| E588  |    |                                      | 42      | 4-16   | 0-3                              | 8  | 570<br>96733                                | 570<br>989   | 570<br>18087a                    | 570<br>18086a   |   | 19x4,6                                | 570<br>18083  | 570<br>2150   | 570<br>434  | 570<br>10371  | 570<br>92901                        | 570<br>92905    | Ø<br>2,1  | 570<br>92908a  | 570<br>92917a  | 797<br>Forte<br>100 | Riegelarbeiten an Tascheneingriffen, Schlitz etc.<br>Bartacking: on pocket openings, slits, etc.  | E588 |
| E590  |    |                                      | 42      | 16-25  | 0-3                              | 9  | 570<br>96763                                | 570<br>989   | 570<br>95114                     | 570<br>95113  |   | 28x4,6                                | 570<br>95115  | 570<br>17136  | 570<br>18032  | 570<br>10371  | 570<br>92901                        | 570<br>92905    | Ø<br>2,1  | 570<br>92908a  | 570<br>92917a  | 797<br>Forte<br>100 | Anriegeln von breiten Gürtelschlaufen sowie Gummizügen in der Miederfabrikation.<br>Attaching wide belt loops and elastics in foundation garments.  | E590 |
| E583  |  |                                      | 42      | 0-12   | 0-8                              | 11   | 570<br>96804                                | 570<br>989   | 570<br>96806                     | 570<br>96807  |   | 14x9,6                                | 570<br>96808  | 570<br>95336  | 570<br>96813  | 570<br>17081  | 570<br>92901                        | 570<br>92905    | Ø<br>2,1  | 570<br>92908a  | 570<br>92917a  | 797<br>Forte<br>100 | Anriegeln von Bändern u. Gummizügen in der Miederfabrikation.<br>Für Riegelarbeiten an Tascheneingriffen.<br>Ausgestattet mit speziellem Lüfterklöben 570 2171.<br>Attaching straps and elastics in foundation garments. For bartacking pocket openings.<br>Fitted with special lifting block 570 2171. | E583 |

\*) Gehören nicht zum normalen Lieferumfang. Are not included in the normal supply.  
1) Nr. der Nahtbildzeichnung. Seam pattern No.



|  <b>Einrichtungen der</b><br><b>Equipment of</b>   |   | 570-124211<br>-134211  |                      | <b>Blatt</b><br><b>Sheet</b> 9   |                                | <b>Schneckentrieb kompl.</b><br><b>Worm drive, compl.</b> 570294  |                                | <b>Art der Klammer:</b> Klammer mit einem oder zwei vertikal beweglichen Füßen.<br><b>Clamp type:</b> Clamps with one or two feet, swinging vertically.                      |                        |  |                              |   |   |   |  |                          |                         |  |   |                |                     |   |      |
|---|---|--|----------------------|--|--------------------------------|---|--------------------------------|--|------------------------|--|------------------------------|---|---|---|--|--------------------------|-------------------------|--|---|----------------|---------------------|---|------|
|   |   | <b>Doppelsteppstich-, Riegel- u. Kurznahtautomat</b><br><b>Automatic lockstitch bartacking and shortseam machine</b> |                      | 42 Stiche pro Kurvenscheibenumdrehung<br>42 stitches per control disc revolution |                                | <b>Schnecke, Zähnezahl</b><br><b>Worm No. of teeth</b> 4  |                                | <b>Teile-Nr. der Klammer ohne Füße für und Stoffauflageblech:</b> für- 124211 Nr. 57093131<br><b>Ref.-No. of the clamp without feet for- and fabric rest plate:</b> for- Nr. |                        |  |                              |   |   |   |  |                          |                         |  |   |                |                     |   |      |
| -124211=2500  |   | 2000 Stiche min, normaler Klammerdurchgang usw.<br>2000 Stiches min, standard clamp passage etc.                     |                      | Mit anschraubbaren Klammerfüßen<br>With screw fastened clamp feet                |                                | <b>Rad, Zähnezahl</b><br><b>Gear No. of teeth</b> 42  |                                |  |                        |  |                              |   |   |   |  |                          |                         |  |   |                |                     |   |      |
| E600-E699 Fadenabschneider für längere Fadenenden (ca. 6 mm). Für dickes, festes Nähgut (Jeans) und Garne, z.B. Umspinnzwirn: Obergarn bis Nm 25/2, Untergarn bis Nm 50/2. Baumwolle: Obergarn bis Ne8 20/3, Untergarn bis Ne8 40/3. Poly-Fasergarn: Obergarn bis Nm 30/3, Untergarn bis Nm 70/3. Mit dicker Spannungsfeder 055400. |   |  |                      |  |                                | E600-E699 Thread cutter for longer thread ends (about 6 mm). For thick and dense material (Jeans) and thread like core thread up to Nm 25/2 (needle) and up to Nm 50/2 (bobbin). Cotton up to Ne8 20/3 (needle) and up to Ne8 40/3 (bobbin). Poly-fibre thread up to Nm 30/3 (needle) and Nm 70/3 (bobbin). With thicker tension-spring 055400. |                                |  |                        |  |                              |   |   |   |  |                          |                         |  |   |                |                     |   |      |
| E-Nr.<br>E-No   | Nahtbild<br>Seam pattern<br>A<br>B  | Stichzahl pro Naht<br>Stitches per seam foot<br>A<br>B   | Abb. Nr.<br>Fig. No. | Kurvenscheibe<br>kompl.<br>Control disc<br>compl.                                | Fadenleitblech<br>Thread guide | Klammerfuß- Clamp foot-   |                                |  |                        | Stoffauflageblech<br>Fabric rest plate | Fingerschutz<br>Finger-guard | Begrenzungsblech<br>Limiting plate<br>für Nahtbildmaß A<br>for seam pattern measure A | Stichplatte<br>Throat plate<br>Stichplatte-vollst.<br>Throat plate compl. | Stichplatten-einsatz<br>Throat plate insert | Stichlochgröße<br>Stitch hole size<br>mm | Messer<br>Knife          |                         | Nadel-system/dicke<br>Needle system/size | Verwendungszweck und Bemerkungen<br>Use and Remarks | E-Nr.<br>E-No. |                     |   |      |
|   |   |  |                      |  |                                | Unterteil links<br>bottom l/h   | Unterteil rechts<br>bottom r/h | zusätzl. addit.  | Aus-schnitt cut out mm |  |                              |   |   |   |  | Unter-messer Lower knife | Ober-messer Upper knife |  |   |                |                     |   |      |
| E688  |  | 42   | 4-16                 | 0-3  | 8                              | 570<br>96733  | 570<br>989                     | 570<br>18087a  | 570<br>18086a          |  | 19x4,6                       | 570<br>93245  | 570<br>2150   | 570<br>434                                  | 570<br>10371                             | 570<br>18045K            | 570<br>18046            | Ø<br>2,6                                 | 570<br>961  | 570<br>962     | 797<br>Forte<br>120 | Riegelarbeiten in Jeans und Freizeitkleidung<br>Bartacking in Jeans and leisure time garments | E688 |
| *) Gehören nicht zum normalen Lieferumfang. Are not included in the normal supply.  |   |  |                      |  |                                |   |                                |  |                        |  |                              | Ausgabe/Edition 03.91 Fortsetzung Blatt/Continued sheet 10                            |   |   |  |                          |                         |  |   |                |                     |   |      |
| 1) Nr. der Nahtbildzeichnung. Seam pattern No.  |   |  |                      |  |                                |   |                                |  |                        |  |                              |   |   |   |  |                          |                         |  |   |                |                     |   |      |

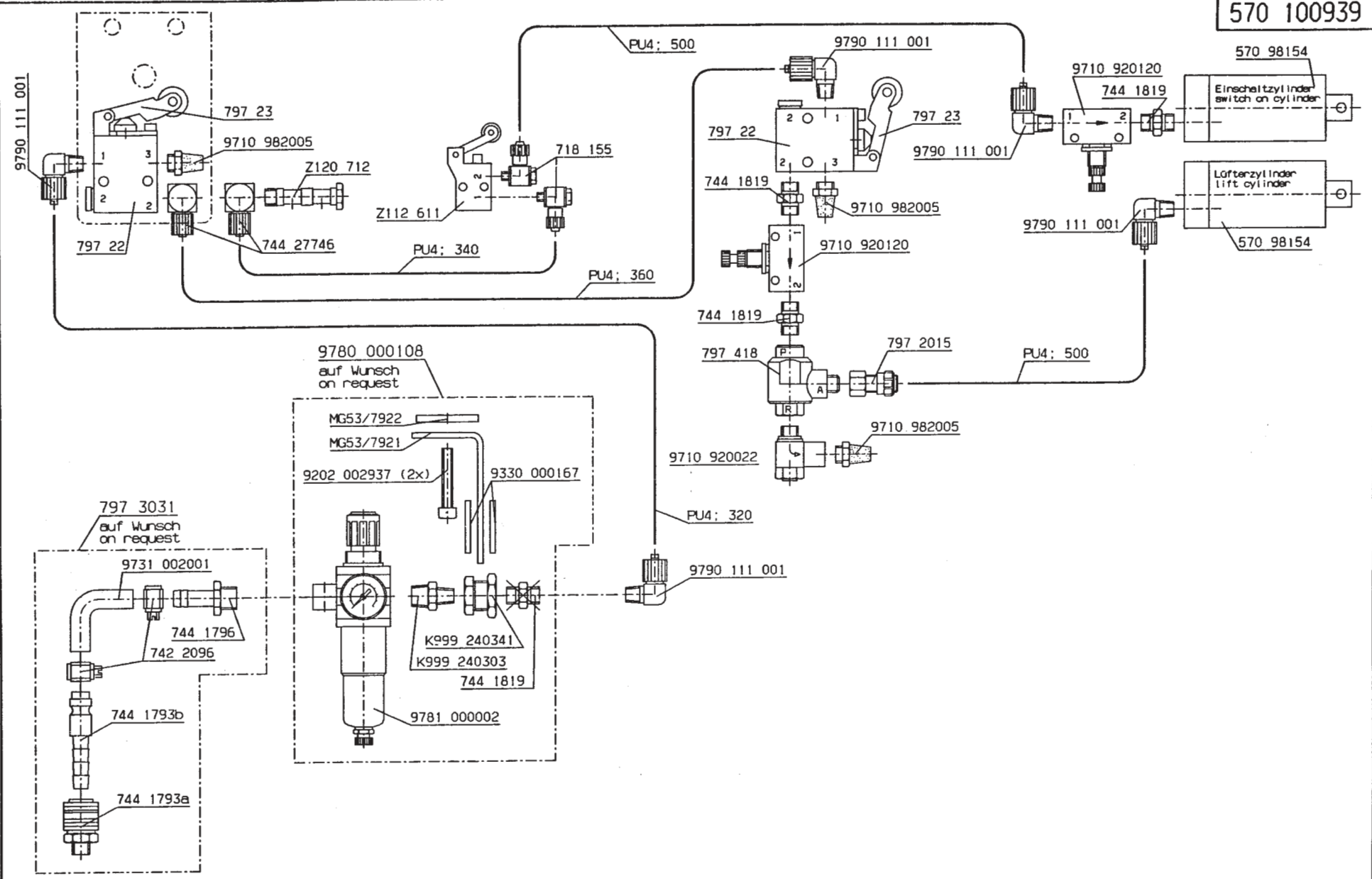



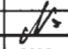
|  <b>Einrichtungen der</b><br><b>Equipment of</b> |   | 570-124211<br>- 134211                         | <b>Blatt</b><br><b>Sheet 10</b> |  | <b>Schneckentrieb kompl.</b><br><b>Worm drive, compl.</b> 570294 |  | <b>Art der Klammer:</b> Klammer mit einem oder zwei vertikal beweglichen Füßen.<br><b>Clamp type:</b> Clamp with one or two feet, swinging vertically. |  |                                |                    |  |                               |  |   |                               |  |   |               |                           |   |   |   |  |
|--|---|--|---------------------------------|--|--|--|--|--|--------------------------------|--------------------|--|-------------------------------|--|---|-------------------------------|--|---|---------------|---------------------------|---|---|---|--|
| <b>Doppelstippstich-, Riegel- u. Kurznahtautomat</b><br><b>Automatic lockstitch bartacking and shortseam machine</b>             |   |  |                                 | 42Stiche pro Kurvenscheibenumdrehung<br>42stitches per control disc revolution |  | <b>Schnecke, Zähnezahl</b><br><b>Worm No. of teeth</b> 4 |  | <b>Teile-Nr. der Klammer ohne Füße</b> für - 124211 Nr. 57093131<br><b>und Stoffauflageblech:</b> für -<br><b>Ref.-No. of the clamp without feet</b> für - Nr.   |                                |                    |  |                               |  |   |                               |  |   |               |                           |   |   |   |  |
| 2000 Stiche min, normaler Klammerdurchgang usw.<br>2000 Stitches min, standard clamp passage, etc.                               |   |  |                                 | Mit anschraubbaren Klammerfüßen<br>With screw fastened clamp feet              |  | <b>Rad, Zähnezahl</b><br><b>Gear No. of teeth</b> 42     |  | <b>E700-E799 Fadenabschneider für sehr kurze Fadenenden (ca. 1mm). Für dickes, festes Nähgut (Jeans) u. Garne, z.B. Umspinnzwirn: Obergarn bis Nm 25/2, Untergarn bis Nm 50/2. Baumwolle: Obergarn bis NeB 20/3, Untergarn bis NeB 40/3. Poly-Fasergarn: Obergarn bis Nm 30/3, Untergarn bis Nm 70/3. Mit dicker Spannungsfeder 055400.</b><br><b>E700-E799 Thread cutter for very short thread ends (about 1 mm.) For thick and dense material (Jeans) and threads like core thread up to Nm 25/2 (needle) and up to Nm 50/2 (bobbin). Cotton up to NeB 20/3 (needle) and up to NeB 40/3 (bobbin). Poly-fibre thread up to Nm 30/3 (needle) and Nm 70/3 (bobbin). With thicker tension spring 055400.</b> |                                |                    |  |                               |  |   |                               |  |   |               |                           |   |   |   |  |
| E-Nr.<br>E-No  | <br><b>Nahtbild</b><br><b>Seam pattern</b> | Stichzahl pro Naht<br>No. of st. per seam part | A<br>mm                         | B<br>mm  | Abb. Nr.<br>Fig. No.   | Kurvenscheibe kompl.<br>Control disc compl.              | Fadenleitblech<br>Thread guide   | <b>Klammerfuß- Clamp foot-</b>   |                                |                    | Stoffauflageblech<br>Fabric rest plate | Finger-schutz<br>Finger-guard | <b>Begrenzungsblech</b><br><b>Limiting plate</b> | <b>Stichplatte</b><br><b>Throat plate</b> | <b>Messer</b><br><b>Knife</b> | <b>Nadel-system/dicke</b><br><b>Needle system/size</b> | <b>Verwendungszweck und Bemerkungen</b><br><b>Use and Remarks</b> | E-Nr.<br>E-No |                           |   |   |   |  |
|  |   |  |                                 |  |  |  |  | Unterteil links<br>bottom l/h  | Unterteil rechts<br>bottom r/h | zusätzl.<br>addit. |  |                               |  |   |                               |  |   |               | Aus-schnitt<br>cut out mm | für Nahtbildmaß A<br>for seam pattern measure A | für Nahtbildmaß B<br>for seam pattern measure B | Stich-platte-vollst.<br>Throat plate compl.   | Stich-platten-einsatz<br>Throat plate insert |
| E788   |    | 42   | 4-16                            | 0-3  | 8  | 570 96733  | 570 989  | 570 18087a   | 570 18086a                     |                    | 19x4,6                                 | 570 93245                     | 570 2150   | 570 434                                   | 570 10371                     | 570 95042  | 570 95044   | 2,6           | 570 92908a                | 570 92917a                                      | 797 Forte 120                                   | Riegelarbeiten in Jeans und Freizeitkleidung<br>Bartacking in Jeans and leisure time garments.  | E788   |
| E777   |    | 21   | 7,5-10                          | 7,5-10   | 12   | 570 101142   | 570 989  | 570 101152   | 570 101153                     |                    |  | 570 101154                    | 570 101155                                       | 570 101157                                | 570 96217                     | 570 101162   | 570 92905   | 2,1           | 570 92931                 | 570 92932                                       | 797 Forte 100                                   | Für Derby-Riegel an Schuhen und dergl. Das rechte Nahtbild (R) und das linke Nahtbild (L) werden im Wechsel genäht. Ausgestattet mit speziellem Lüfterkloben 570 2171. Die Stichzahl/min darf bei E777 max. 1900/min betragen.<br><br>For Derby tacks on shoes and the like. The right seam pattern (R) and the left seam pattern (L) are sewn alternately. Fitted with special lifting block 570 2171. In case of E777 the maximum speed is 1900 st/min. | E777   |



\*) Gehören nicht zum normalen Lieferumfang. Are not included in the normal supply.  
 1) Nr. der Nahtbildzeichnung. Seam pattern No.

|   |   | <b>Einrichtungen der</b><br><b>Equipment of</b>                                  |   |  |                     | 570-132820   |                                | <b>Blatt</b><br><b>Sheet</b> 11   |                               | <b>Schneckentrieb kompl.</b><br><b>Worm drive, compl.</b> 570 2211  |   |  | <b>Art der Klammer:</b> Spezialklammer<br><b>Clamp type:</b> Special clamp |                                    |  |   |                             |                            |  |   |               |                     |   |      |
|--|---|--|---|--|---------------------|--|--------------------------------|---|-------------------------------|---|---|--|--|------------------------------------|--|---|-----------------------------|----------------------------|--|---|---------------|---------------------|---|------|
| <b>Doppelsteppstich-, Riegel- u. Kurznahtautomat</b><br><b>Automatic lockstitch bartacking and shortseam machine</b>   |   | 28 Stiche pro Kurvenscheibenumdrehung<br>28 stitches per control disc revolution |   | 2000 Stiche min, normaler Klammerdurchgang usw.<br>Stitches min, standard clamp passage etc. |                     | Milanschraubbaren Klammerfüßen<br>With screw fastened clamp feet |                                | -132820=2500 Stiche min, großer Klammerdurchgang usw.<br>Stitches min, great clamp passage etc. |                               |   | <b>Teile-Nr. der Klammer ohne Füße und Stoffauflageblech:</b> für 132820 Nr. 570 100342<br><b>Ref.-Nr. of the clamp without feet and fabric rest plate:</b> for - 132820 Nr. 570 100342 |  |  |                                    |  |   |                             |                            |  |   |               |                     |   |      |
| E600-E699 Fadenabschneider für längere Fadenenden (ca. 6 mm). Für dickes, festes Nähgut (Jeans) und Garne, z.B. Umspinnzwirn: Obergarn bis Nm 25/2, Untergarn bis Nm 50/2. Baumwolle: Obergarn bis Ne8 20/3, Untergarn bis Ne8 40/3. Poly-Fasergarn Obergarn bis Nm 30/3, Untergarn bis Nm 70/3. Mit dicker Spannungsfeder 055400. |   |  |   |  |                     |  |                                |   |                               | E600-E699 Thread cutter for longer thread ends (about 6 mm). For thick and dense material (Jeans) and thread like core thread up to Nm 25/2 (needle) and up to Nm 50/2 (bobbin). Cotton up to Ne8 20/3 (needle) and up to Ne8 40/3 (bobbin). Poly-fibre thread up to Nm 30/3 (needle) and Nm 70/3 (bobbin). With thicker tension-spring 055400. |   |  |  |                                    |  |   |                             |                            |  |   |               |                     |   |      |
| E-Nr.<br>E-No  | Nahtbild Seam pattern   |  | Stichzahl, pro Nahtbild<br>No. of st. per seam part | Kurvenscheibe kompl.<br>Control disc compl.  |                     |  | Fadenleitblech<br>Thread guide |   | Klammerfuß- Clamp foot-       |   |   | Stoffauflageblech<br>Fabric rest plate | Fingerschutz<br>Finger-guard   | Begrenzungsblech<br>Limiting plate | Stichplatte<br>Throat plate                  |   | Messer<br>Knife             |                            | Nadel-system/dicke<br>Needle system/size | Verwendungszweck und Bemerkungen<br>Use and Remarks | E-Nr.<br>E-No |                     |   |      |
|  | A   | B  |   | Abb. Nr.<br>Fig. No.   | links<br>bottom l/h | rechts<br>bottom r/h   | zusätzl.<br>addit.             | Aus-schnitt<br>cut out mm   | Unterteil links<br>bottom l/h | Unterteil rechts<br>bottom r/h  | Stich-platte-vollst.<br>Throat plate compl.   |  |  |                                    | Stich-platten-einsatz<br>Throat plate insert | Stich-löcher-größe<br>Stitch hole size mm | Unter-messer<br>Lower knife | Ober-messer<br>Upper knife |  |   |               |                     |   |      |
| E644   |  |  | 28  | 5-12   | 1-2,5               | 1  | 570<br>96152                   | 570<br>989  | 570<br>100714                 | 570<br>100512   |   | 16,6 x<br>4,6                          | 570<br>100502  | /                                  | 570<br>2592                                  | 570<br>2729                               | 570<br>100732               | 570<br>18046               | Ø<br>2,6                                 | 570<br>961  | 570<br>962    | 797<br>Forte<br>120 | Zwei Schlitzriegel in Jeans (Lewis-Art) in einem Arbeitsablauf.<br>Two jeans fly bartacks (Lewis style) in one operation. | E644 |
|  |   |  |   |  |                     |  |                                |   |                               |   |   |  |  |                                    |  |   |                             |                            |  |   |               |                     |   |      |
| *) Gehören nicht zum normalen Lieferumfang. Are not included in the normal supply.<br>1) Nr. der Nahtbildzeichnung. Seam pattern No.   |   |  |   |  |                     |  |                                |   |                               | Ausgabe/Edition 03.91 Fortsetzung Blatt/Continued sheet   |   |  |  |                                    |  |   |                             |                            |  |   |               |                     |   |      |



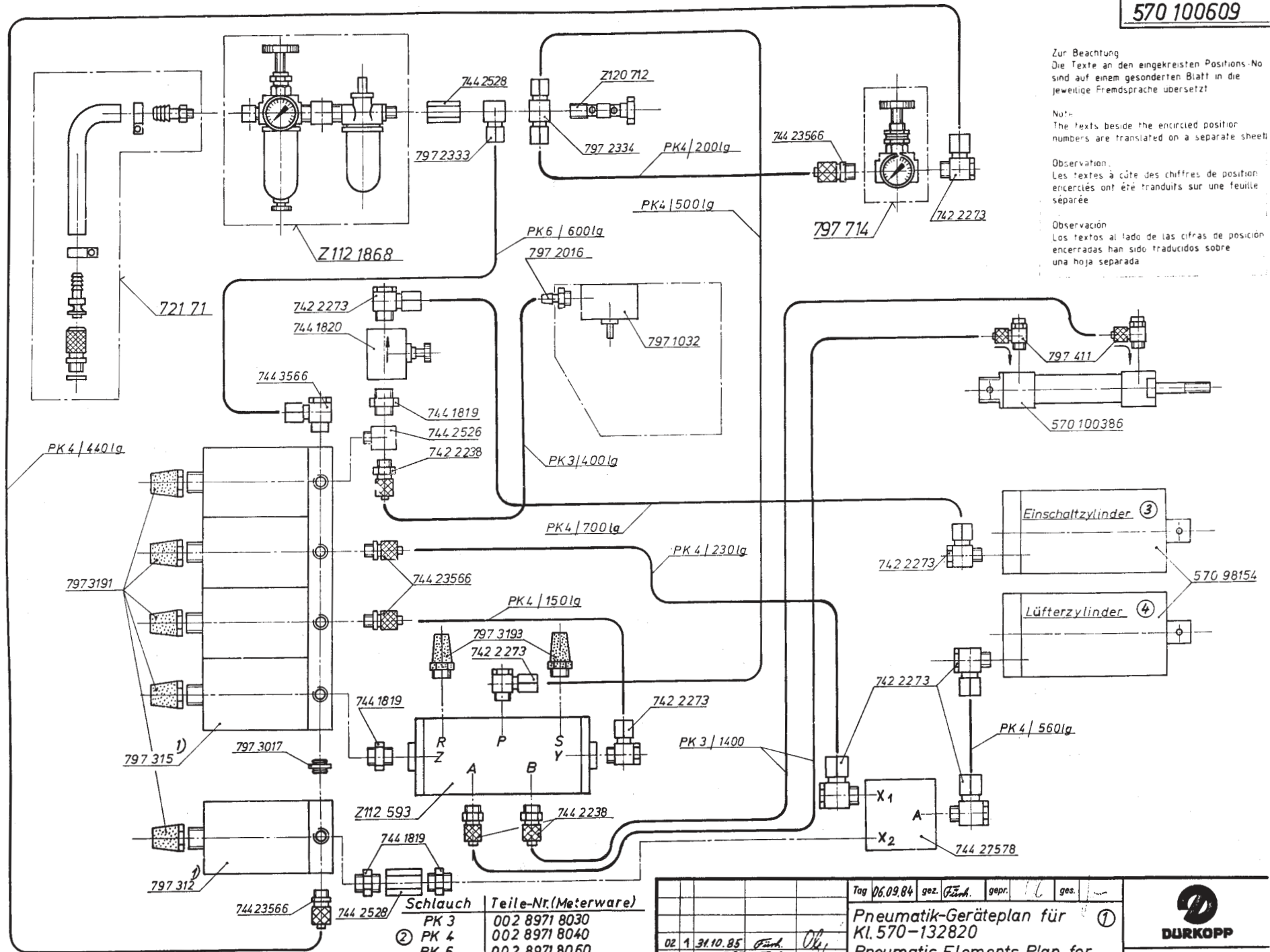
|                  |  |      |         |          |   |              |      |          |       |      |  |
|------------------|--|------|---------|----------|---|--------------|------|----------|-------|------|--|
| Schlauch<br>Hose | Teile-Nr. (Meterware)<br>Part-No. (Yarded goods) |      |         |          |   | Tag 25.10.84 | gez. | Schil.d. | gepr. | gez. | <br>DÜRKOPP ADLER AG<br>570 100939<br>Blatt   Blattz. |
| PU3              | 9731 005004                                      |      |         |          |   |              |      |          |       |      |  |
| PU4              | 9731, 006004                                     |      |         |          |   |              |      |          |       |      |  |
| PK6              | 002 8971 8060                                    |      |         |          |   |              |      |          |       |      |  |
|                  |  | 08.1 | 16.1.96 | Schil.d. |  |              |      |          |       |      |  |
|                  |  | Änd. | Tag     | gez.     | gepr.   |              |      |          |       |      |  |





Für die technische Unterlage behalten wir uns den Urheberrechtsschutz gemäß Ditt 34, Absatz 21 vor.

570 100609



Zur Beachtung  
Die Texte an den eingekreisten Positionen sind auf einem gesonderten Blatt in die jeweilige Fremdsprache übersetzt

Nota:  
The texts beside the encircled position numbers are translated on a separate sheet

Observation:  
Les textes à côté des chiffres de position encadrés ont été traduits sur une feuille séparée

Observación:  
Los textos al lado de las cifras de posición encerradas han sido traducidos sobre una hoja separada

| Schlauch | Teile-Nr. (Meterware) |
|----------|-----------------------|
| PK 3     | 002 8971 8030         |
| PK 4     | 002 8971 8040         |
| PK 6     | 002 8971 8060         |

1) Ersatzventil ohne Montageplatte 797 318 ⑤

|   |          |          |        |       |    |      |  |
|---|----------|----------|--------|-------|----|------|--|
| Tag   | 06.09.84 | gez.     | F.Z.M. | gepr. | 16 | ges. |  |
| Pneumatik-Geräteplan für ①<br>Kl. 570-132820  |          |          |        |       |    |      |  |
| Pneumatic Elements Plan for<br>cl. 570-132820 |          |          |        |       |    |      |  |
| Änd.  | Tag      | gez.     | gepr.  |       |    |      |  |
| 02  | 1        | 31.10.85 | Fisch. | 06    |    |      |  |
| 01  | 1        | 30.05.85 | Bösch. | 06    |    |      |  |



570 100609