

PFAFF

Spare Parts Catalogue

PFAFF 3334

G. M. PFAFF AG KAISERSLAUTERN BRANCH

Preface

This parts catalogue contains front parts, arm parts, cylinder bed parts, and machine base parts for the Pfaff 3334-1; organizational parts for individual power and power bench drive; as well as obsolete parts.

Parts which differ according to the model (A; B or C), such as take-up lever, needle bar, etc., are compiled in a table on page 4.

The component parts are illustrated according to their disposition in the machine.

The underlined part numbers signify assemblies which are made up of component parts.

An asterisk preceding the part number indicates that this part is also available in an obsolete version which must be reordered for replacement purposes.

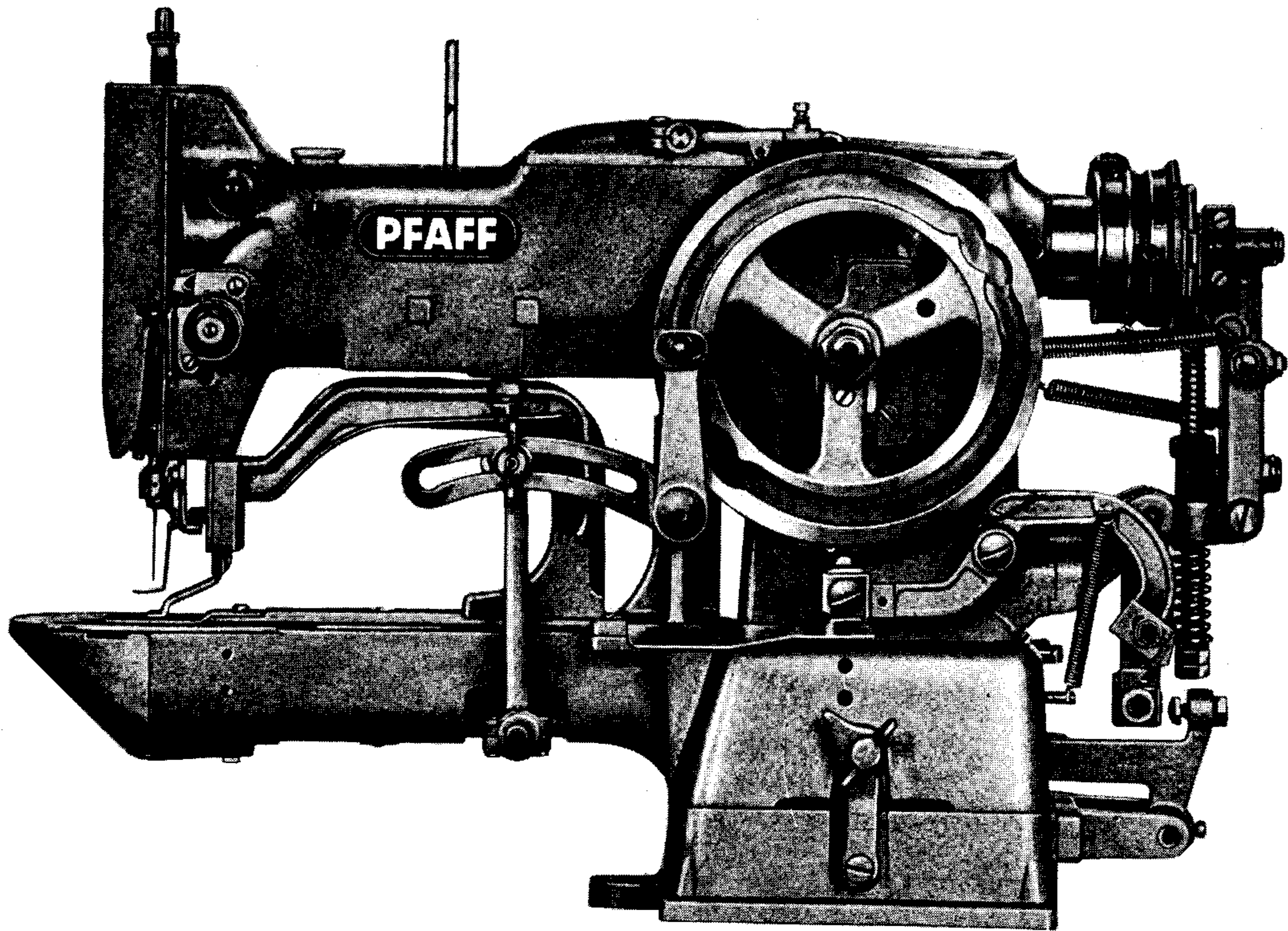
A numerical index of all parts listed is included on the last pages.

Part number changes will be published on correction sheets.

Subject to alterations in design.

April 1964

G. M. PFAFF AG
Kaiserslautern Branch



Automatic Bar Tacker

PFAFF 3334-1

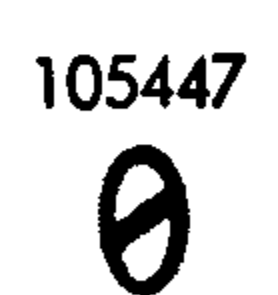
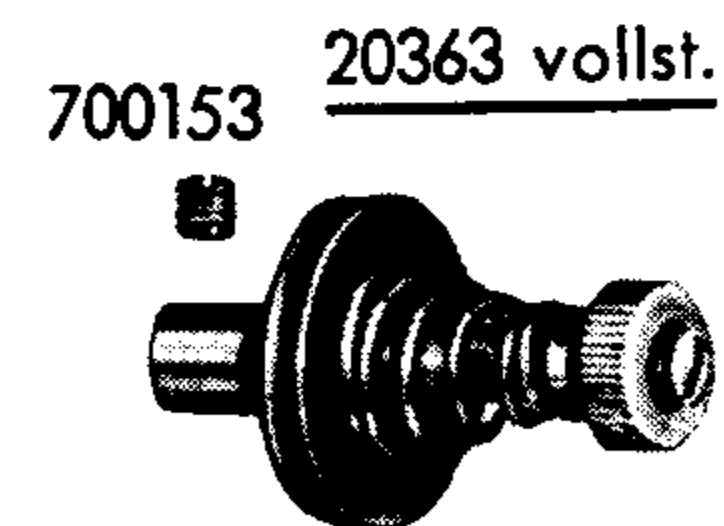
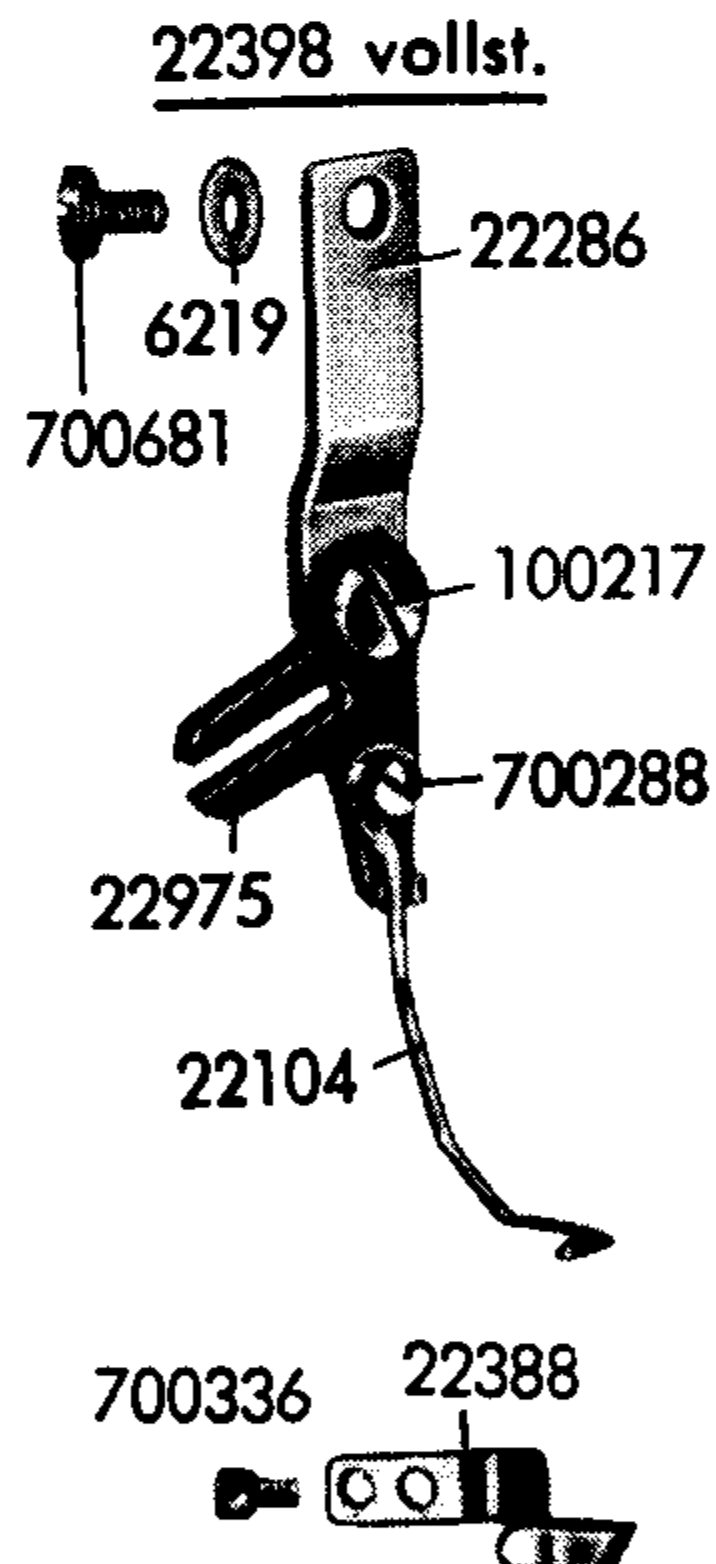
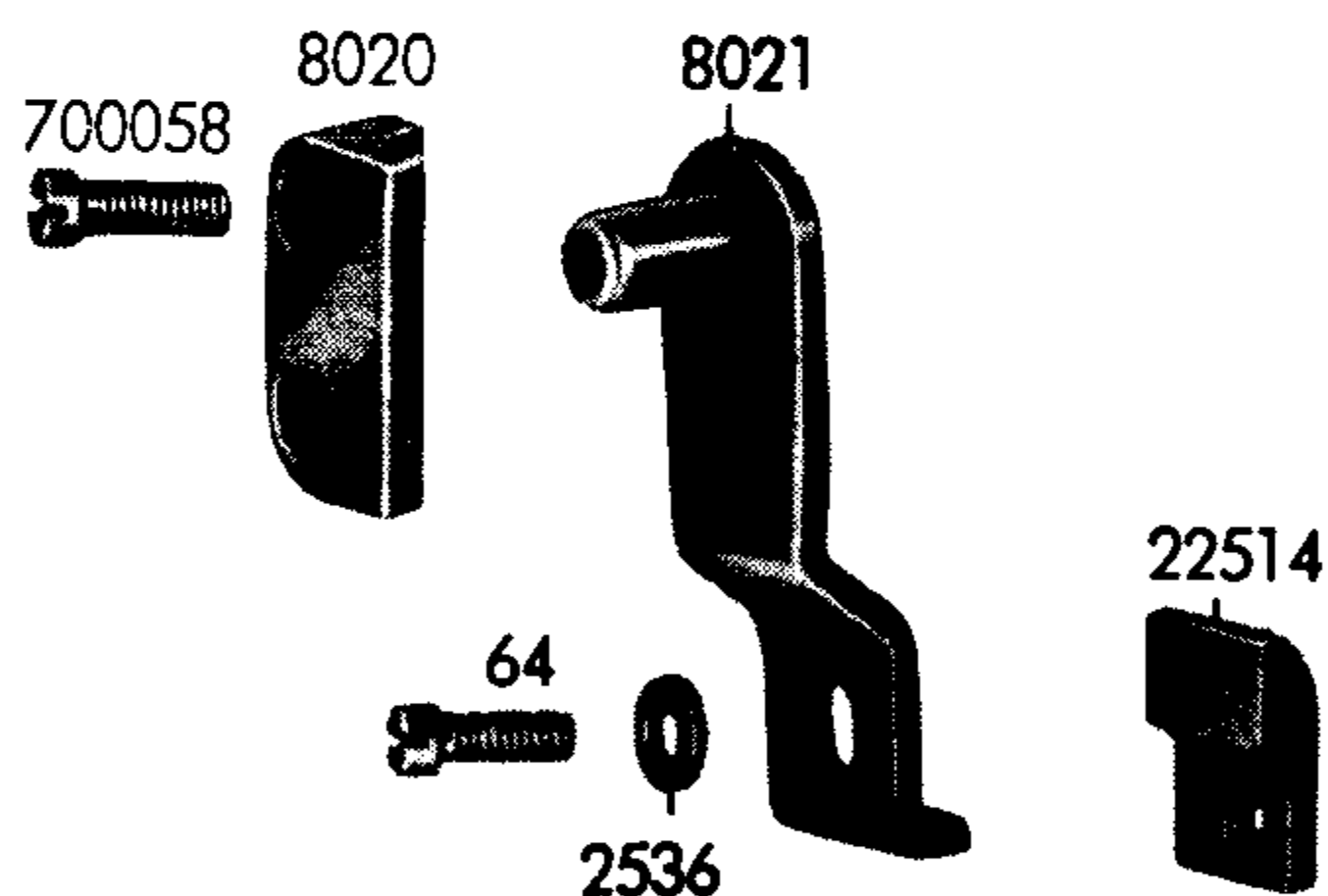
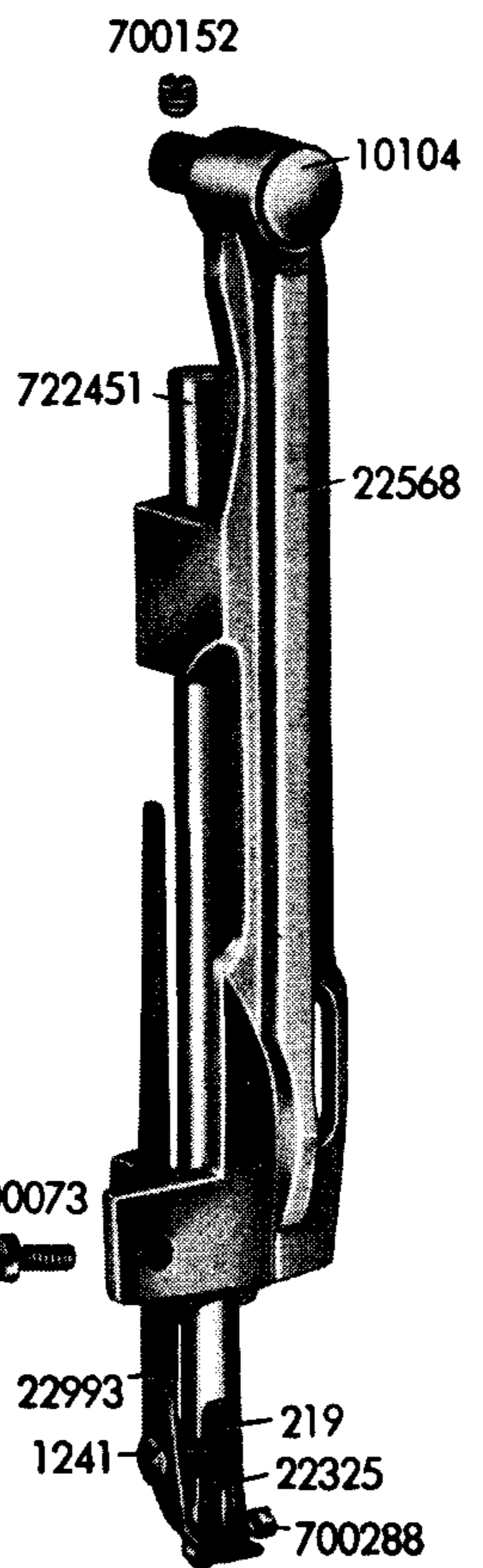
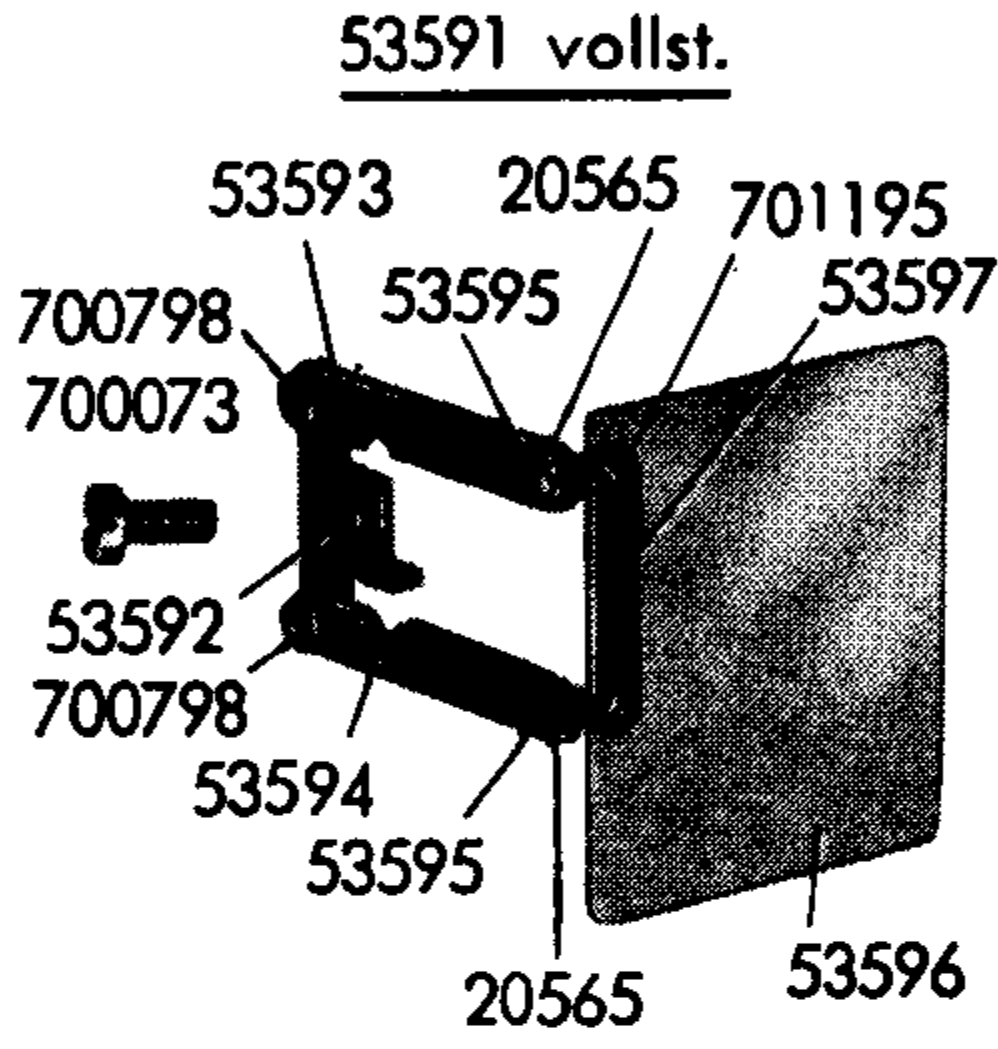
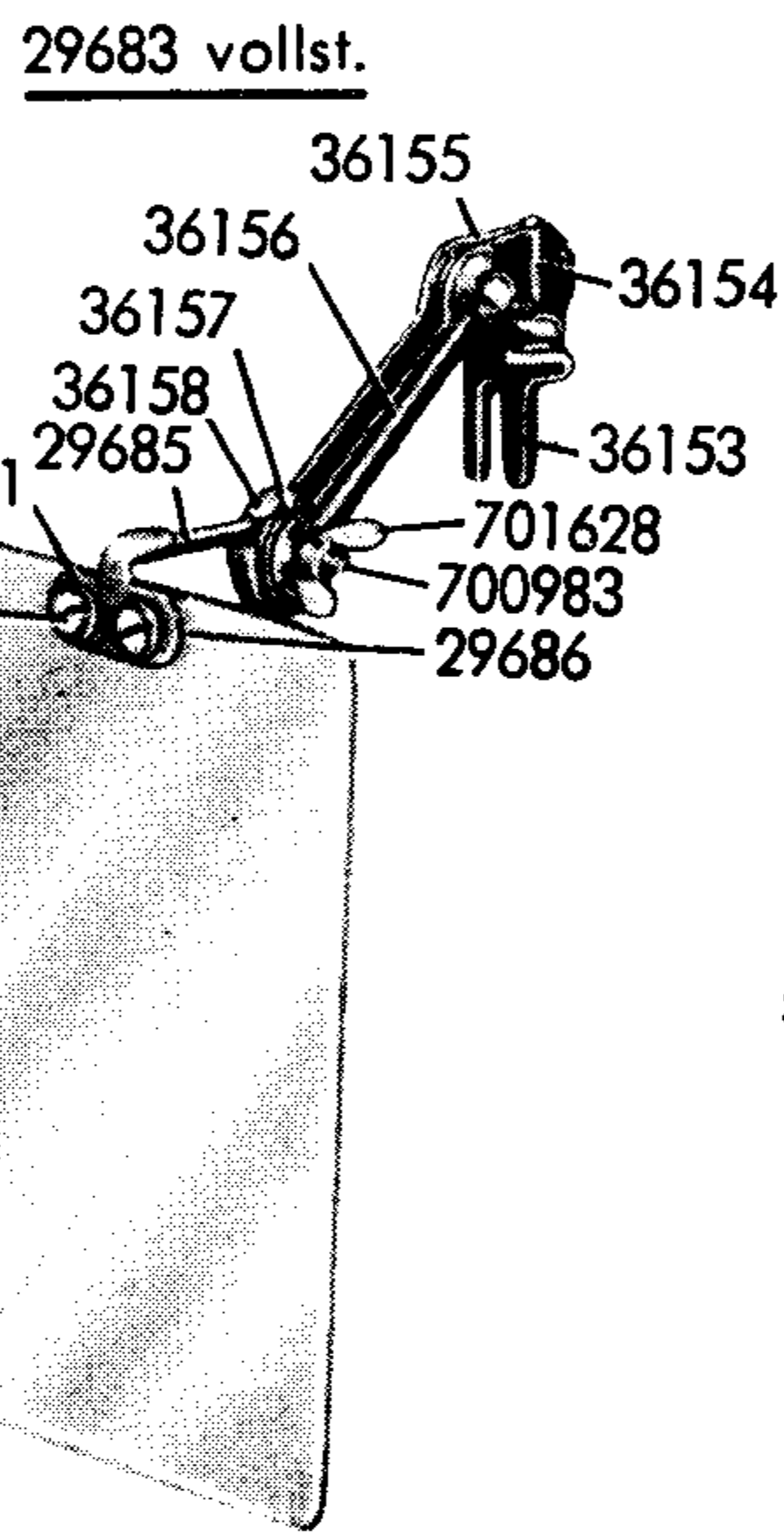
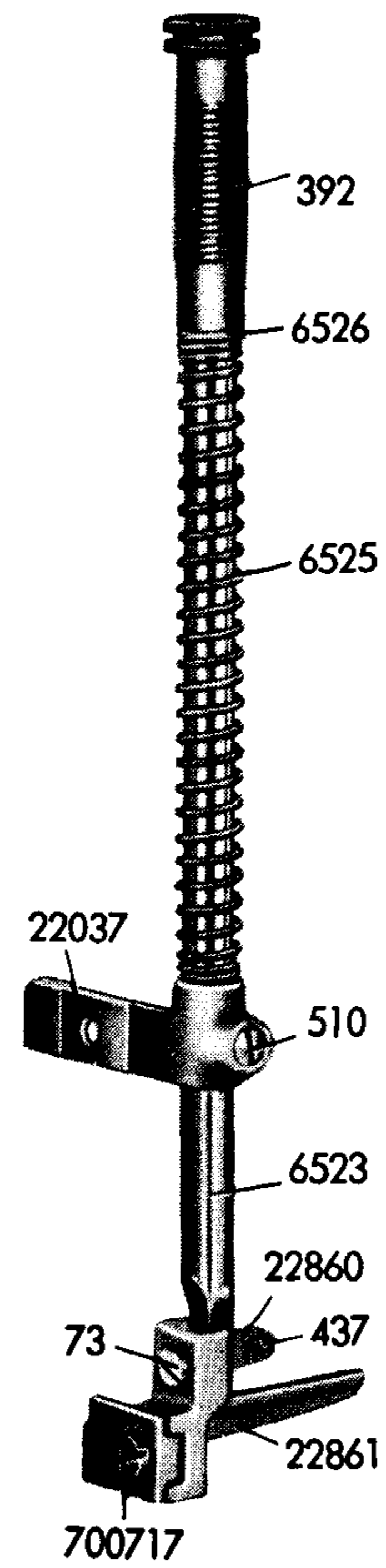
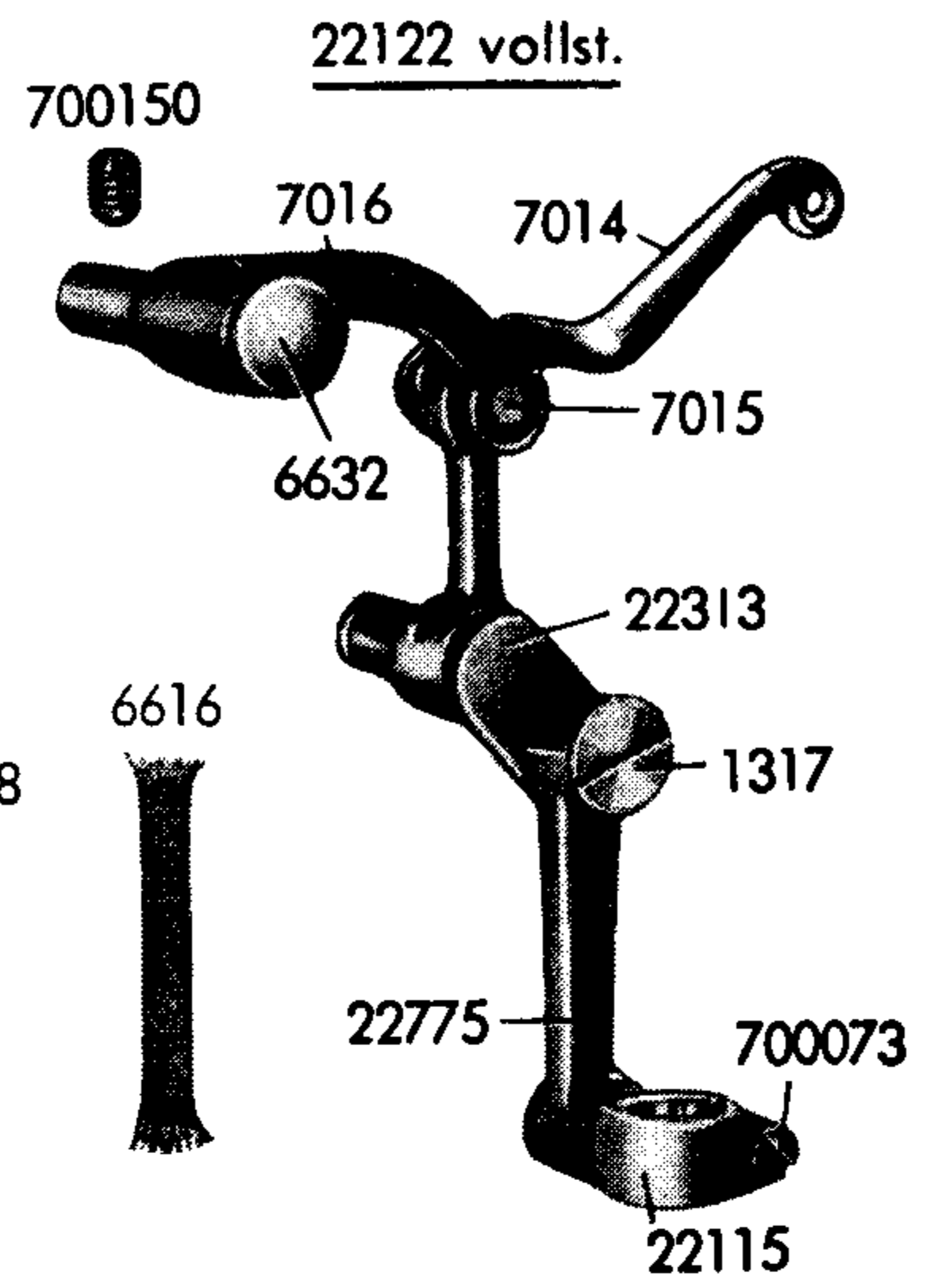
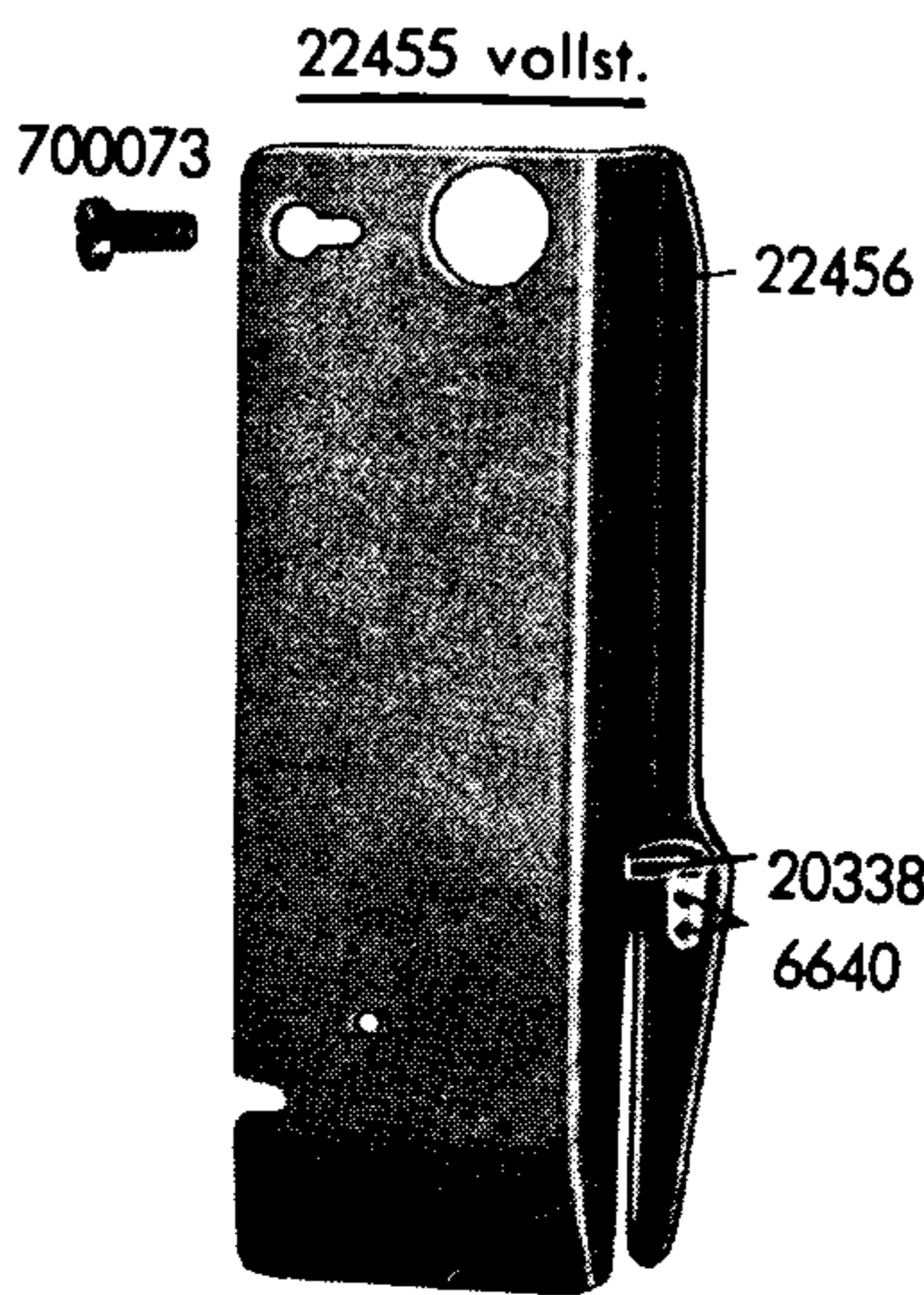
Automatic Lockstitch Bar Tacker, organized with link take-up, central bobbin shuttle, tack length and width adjustment, positive thread nipper, needle and bobbin thread trimmer, work clamp locking device, and automatic stop motion.

Component Parts of the PFAFF 3334 in Models A, B and C

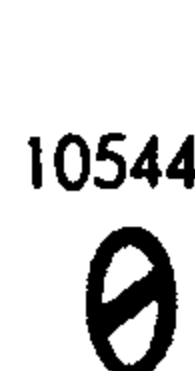
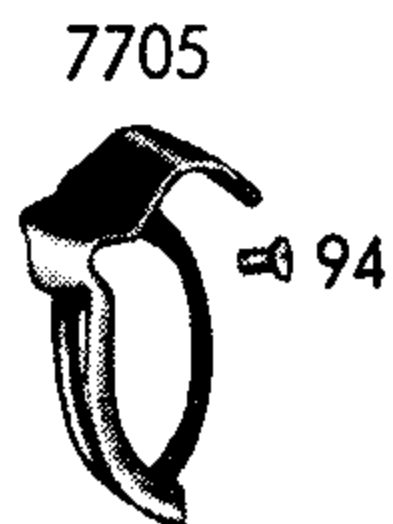
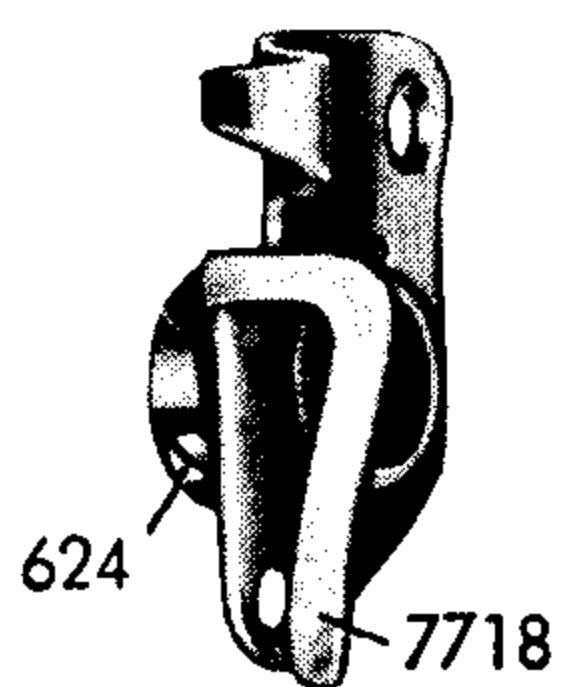
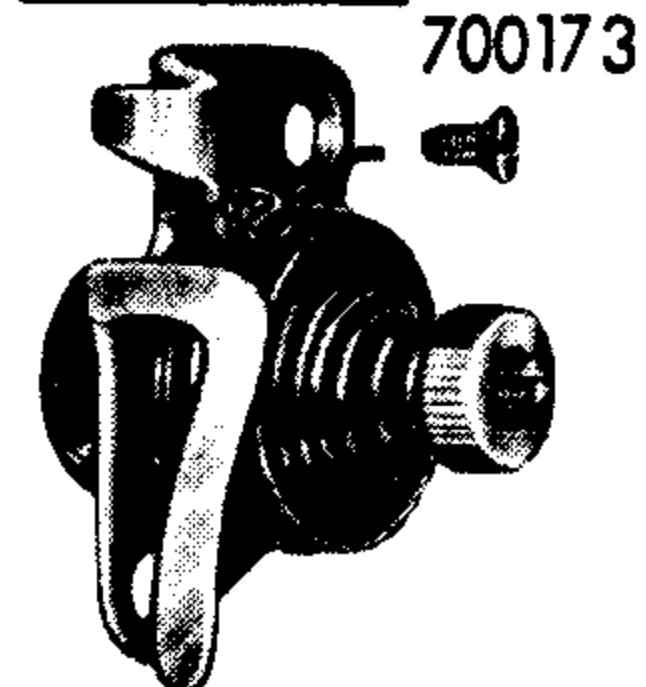
Part Name	Model		
	A	B	C
Needle bar crank	22312	22312	22539
Take-up lever, complete	22122	22122	22542
Take-up lever link	7016	7016	22776
Take-up crank	22313	22313	22541
Needle bar	123774	123774	123775
Feed plate	★ 24010 Cutout size $\frac{5}{32}'' \times \frac{11}{32}''$ (3.8 x 8.6 mm)	★ 24010 Cutout size $\frac{5}{32}'' \times \frac{11}{32}''$ (3.8 x 8.6 mm)	★ 24010 Cutout size $\frac{3}{16}'' \times \frac{3}{8}''$ (4.8 x 9.6 mm)
Needle plate, complete (standard type)	24926	24926	24926
Needle plate, complete (special type)	22109	24928	24929
Needle plate insert	22111	65543	65546

★ see obsolete parts on page VIII

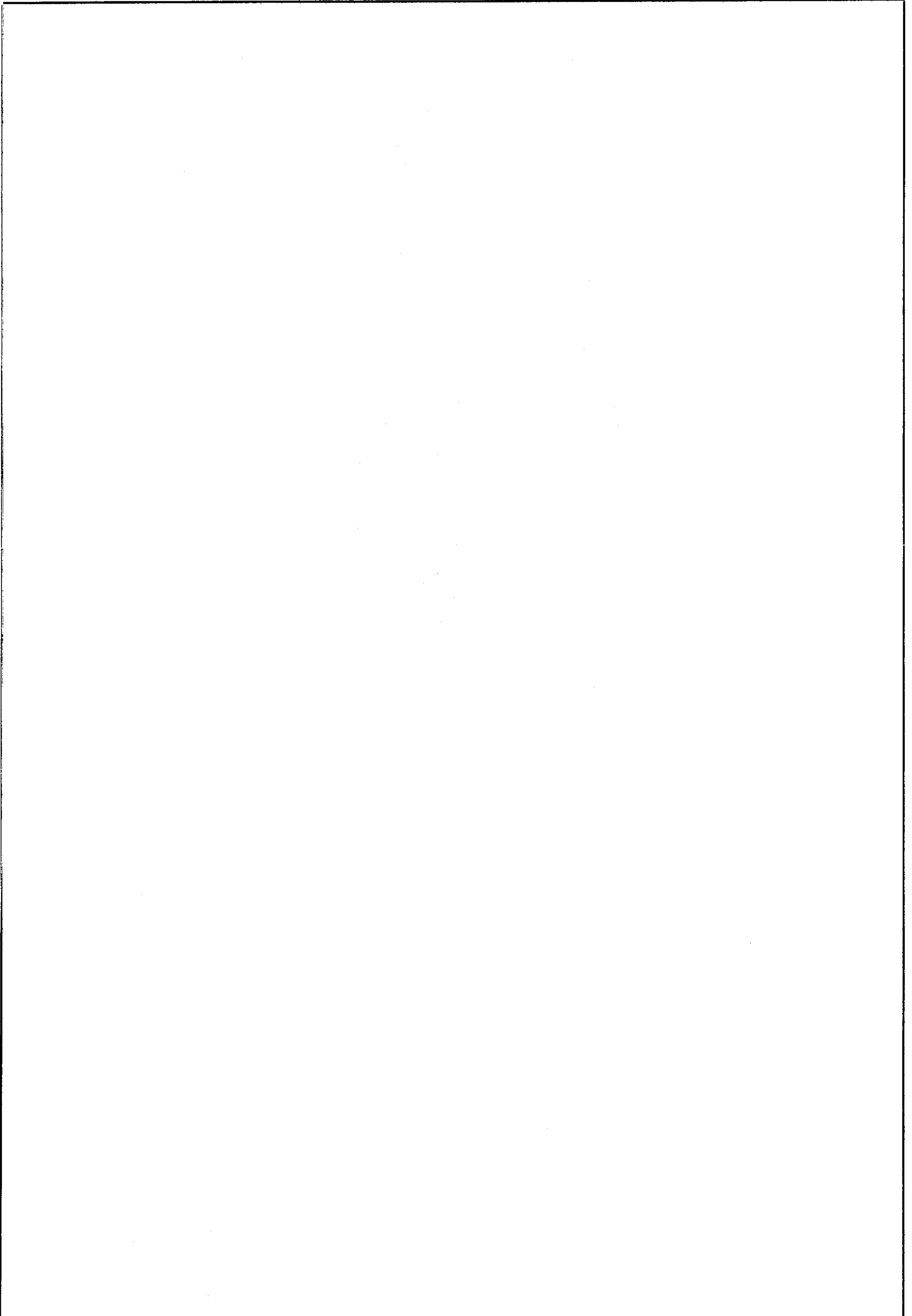
Front Parts



20361 vollst.



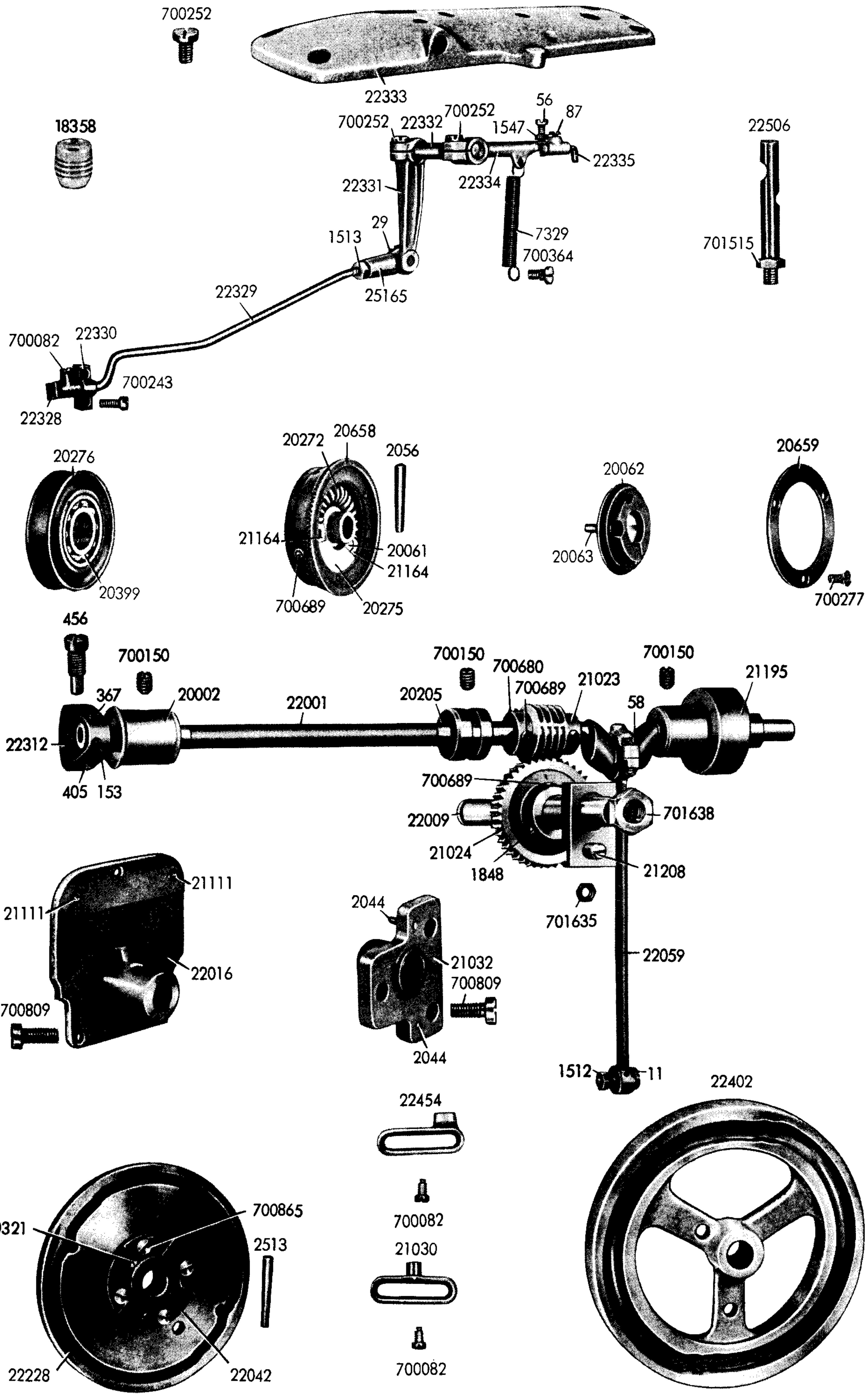
700058	Fastening screw for No. 8020	20338	Thread guide for No. 22455
64	Fastening screw for Nos. 8021; 22514	20361	Thread tension, lower, complete, consisting of Nos. 94; 729; 1522; 2061; 2065; 2531; 7705; 7718; 8648; 105447
73	Fastening screw for Nos. 22860; 29686	★ 20363	Thread tension, upper, complete, consisting of Nos. 905; 1636; 2065; 10181; 10183; 105447
700073	Fastening screw for Nos. 22455; 22568; 53591 and binding screw for No. 22115	20565	Slip washer for Nos. 53593; 53594
94	Fastening screw for No. 7705	22037	Presser bar lifting bracket
700150	Fastening screw for No. 6632	22104	Thread wiper wire for No. 22398
700152	Fastening screw for No. 10104	22115	Needle bar connecting stud
700153	Fastening screw for No. 20363	22122	Take-up lever (Models A & B), complete, consisting of Nos. 700073; 1317; 6632; 7014; 7015; 7016; 22115; 22313; 22775
700173	Fastening screw for No. 20361	22128	Tension release plunger for No. 20361
219	Fastening screw for No. 22325	22286	Thread wiper wire bracket for No. 22398
700288	Fastening screw for No. 22104 and needle set screw	22313	Take-up crank (Models A & B)
700336	Fastening screw for No. 22388	22325	Thread nipper spring for No. 722451
392	Regulating screw for No. 6525	22388	Thread guide
437	Driving screw for No. 22860	22398	Thread wiper, complete, consisting of Nos. 700288; 22104; 22286; 22975; 100217
510	Fastening screw for No. 22037	722451	Needle bar (Models A & B)
624	Fastening screw for No. 729	22455	Face plate, complete, consisting of Nos. 6640; 20338; 22456
700681	Fastening screw for No. 22286	22456	Face plate
700717	Fastening screw for No. 22861	★ 22514	Tension release bracket for No. 22037
729	Tension stud for No. 20361	22568	Needle bar frame
700798	Hinge screw for Nos. 53593; 53594	22672	Oil wick for No. 5544
905	Tension stud for No. 20363	22775	Needle bar connecting link
700983	Hinge screw for No. 29683	★ 22860	Thread wiper lever for No. 22975
701195	Hinge screw for Nos. 53596; 53597	★ 22861	Clamp foot lifting lever
★ 1241	Hinge screw for No. 22993	22975	Thread wiper wire holder for No. 22398
1317	End screw for No. 22313	22993	Thread nipper lever for No. 22325
1522	Nut for No. 729	29683	Eye guard, complete, consisting of Nos. 73; 700983; 701628; 4531; 29684; 29685; 29686; 36153; 36154; 36155; 36156; 36157; 36158; (special type)
701628	Wing nut for No. 700983	29684	Perspex eye guard for No. 29683
1636	Nut for No. 905	29685	Holder for No. 29684
2061	Tension spring for No. 20361	29686	Screw washer for No. 29685
2065	Tension disc for Nos. 20361; 20363	36153	Bracket for No. 29683
2531	Tension release washer for No. 20361	36154	Hinge plate, slotted, for No. 29683
2536	Washer for No. 64	36155	Hinge plate, pronged, for No. 29683
3005	Tension release pin for No. 20361	36156	Carrying arm section for No. 29683
4531	Washer for No. 73	36157	Washer for No. 36158
5544	Oil tube, 1" long, for No. 7016	36158	Hinge cup for No. 29683
6219	Washer for No. 700681	53591	Eye guard, complete, consisting of Nos. 700798; 701195; 20565; 53592; 53593; 53594; 53595; 53596; 53597; (standard type)
6523	Presser bar	53592	Bracket for No. 53591
6525	Presser bar spring	53593	Carrying arm, top, for No. 53591
6526	Washer for No. 392	53594	Carrying arm, bottom, for No. 53591
6611	Thread guide	53595	Hinge stud for Nos. 53593; 35594
6616	Oil wick for No. 8618	53596	Perspex eye guard for No. 53591
6632	Hinge stud for No. 7016	53597	Reinforcing bar for No. 53591
6640	Rivet for No. 20338	53599	Suspension wire for No. 53591
7014	Take-up lever	63048	Oil tupe, ¹³ / ₃₂ " long, for No. 7014
7015	Hinge pin for Nos. 7014; 7016	63049	Oil wick for No. 63048
7016	Take-up lever link (Models A & B)	★ 100217	Hinge screw for No. 22975
7705	Thread check spring stop for No. 20361	105447	Washer for Nos. 1522; 1636
7718	Tension bracket, with fastening screw No. 624, for No. 729		
8020	Lifting bracket guide for No. 22037		
8021	Lifting bracket link for No. 22037		
8618	Oil tube, 1 1/2" long, for No. 22775		
8648	Thread check spring		
10104	Hinge stud for No. 22568		
★ 10181	Tension release washer for No. 20363		
★ 10183	Tension spring for No. 20363		



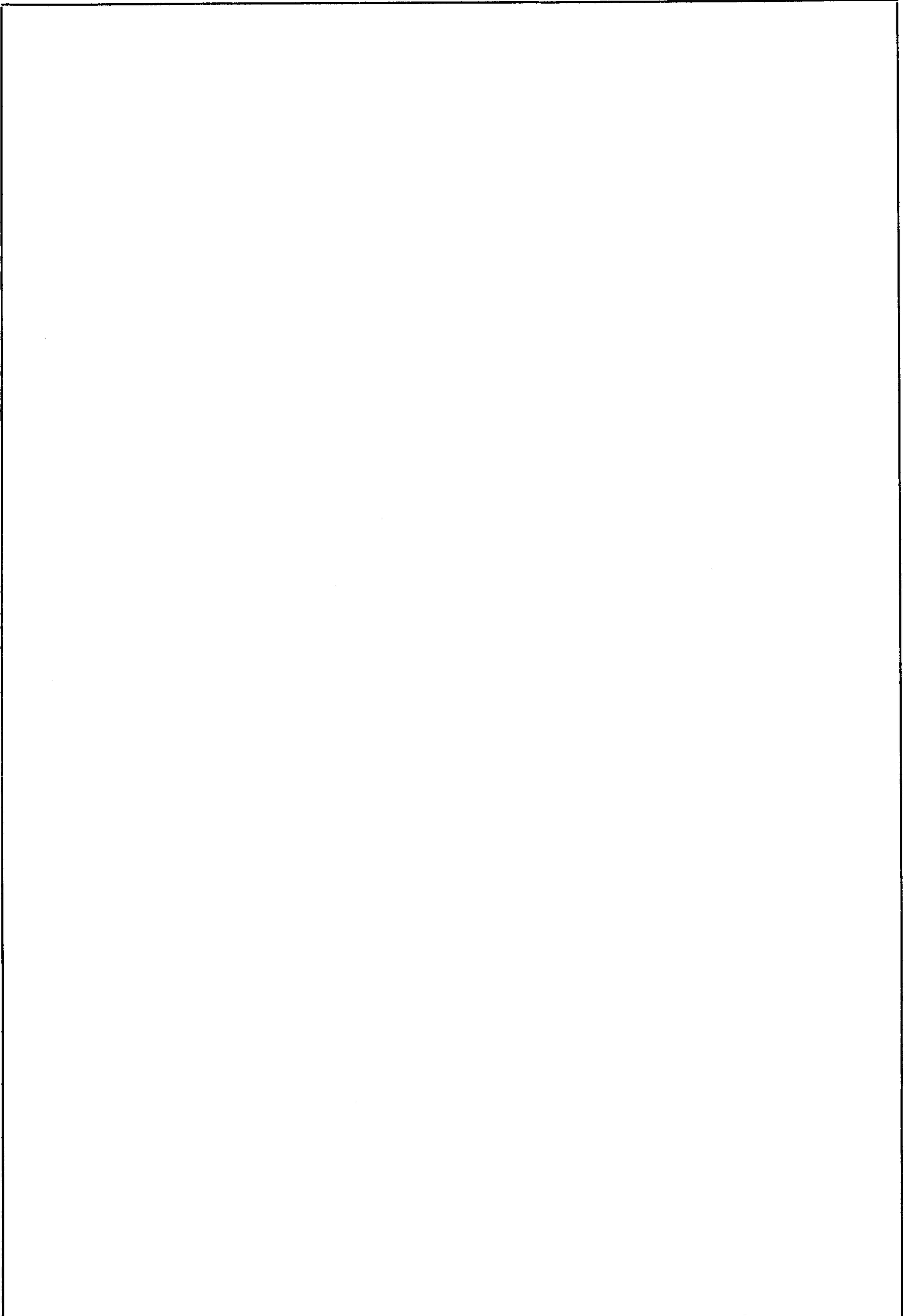


Arm Parts

PFAFF 3334-1

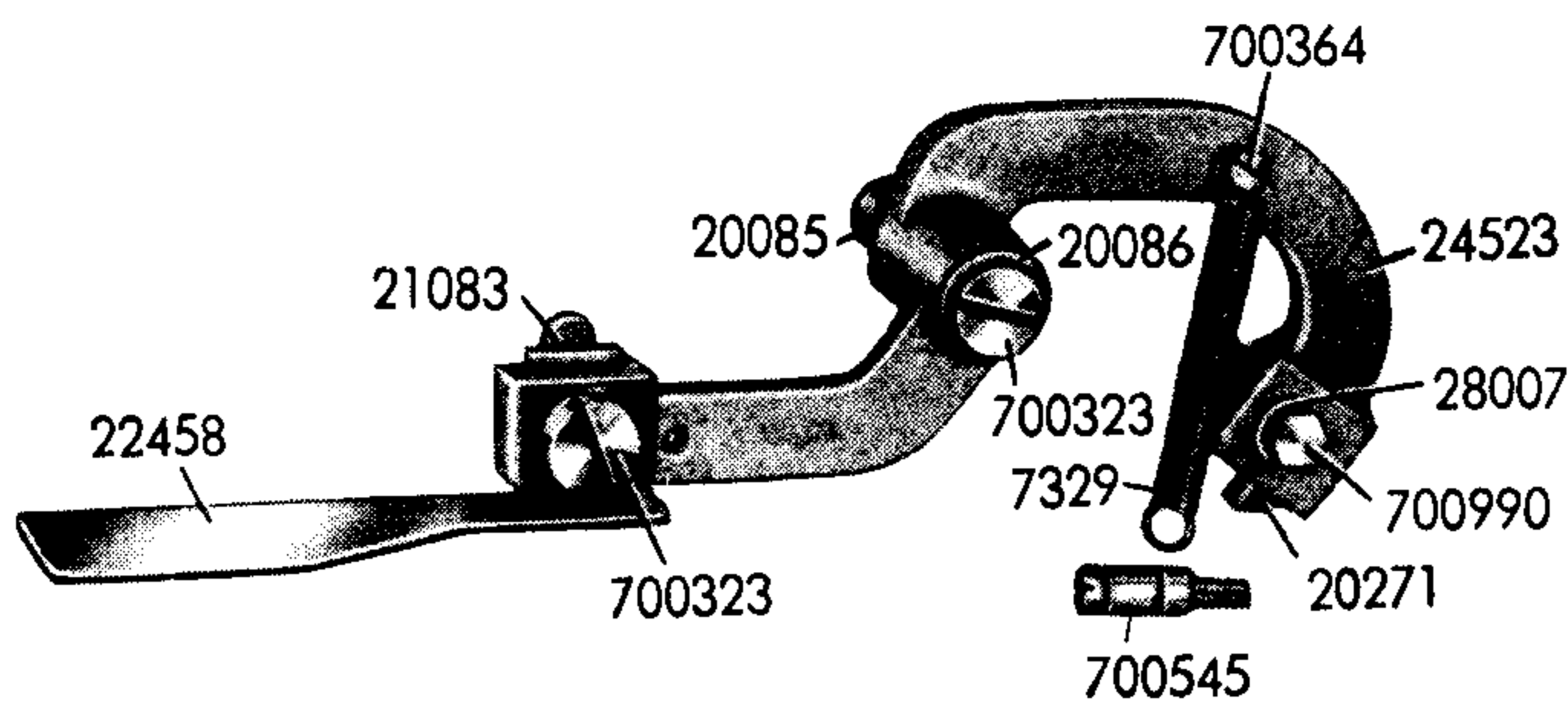
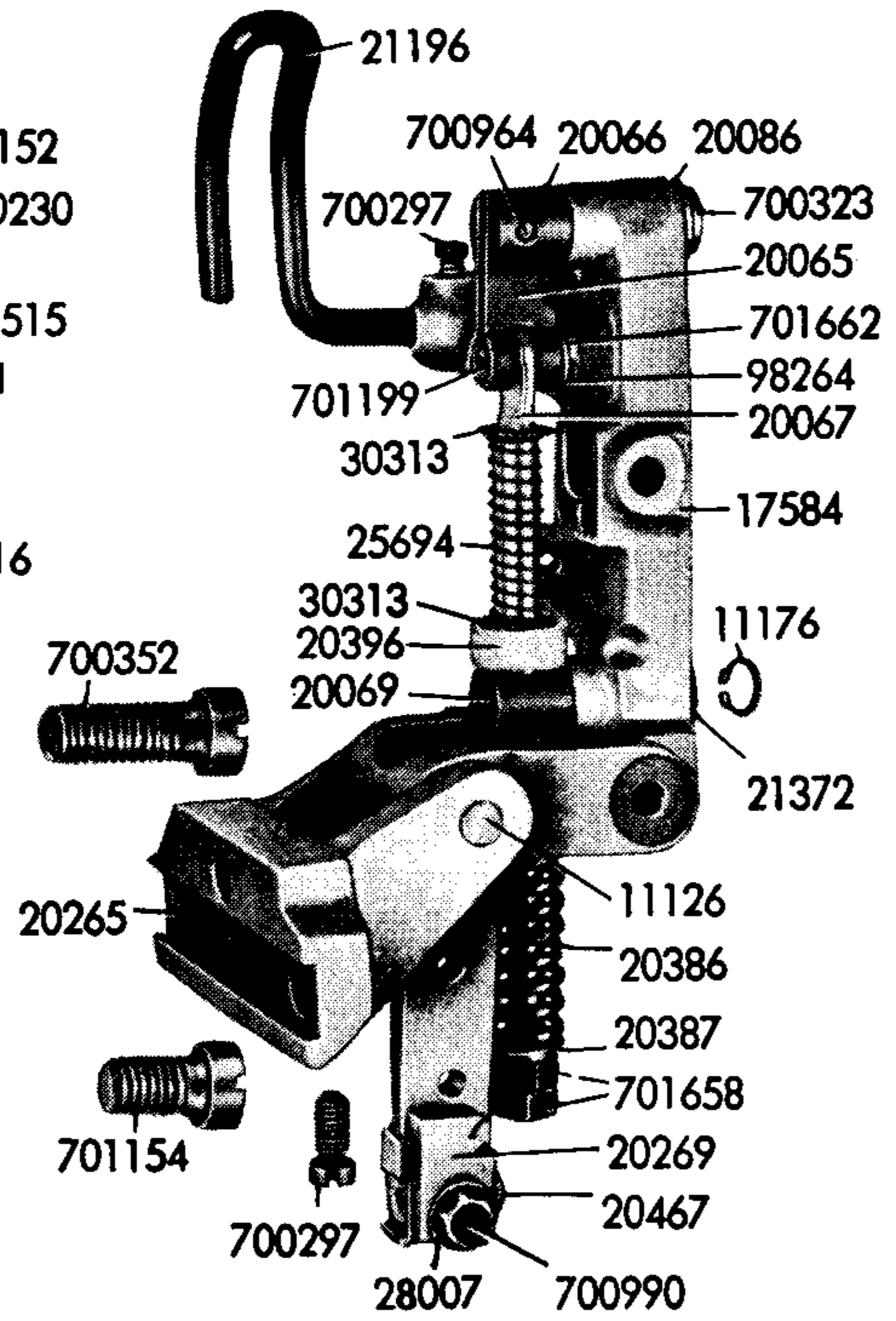
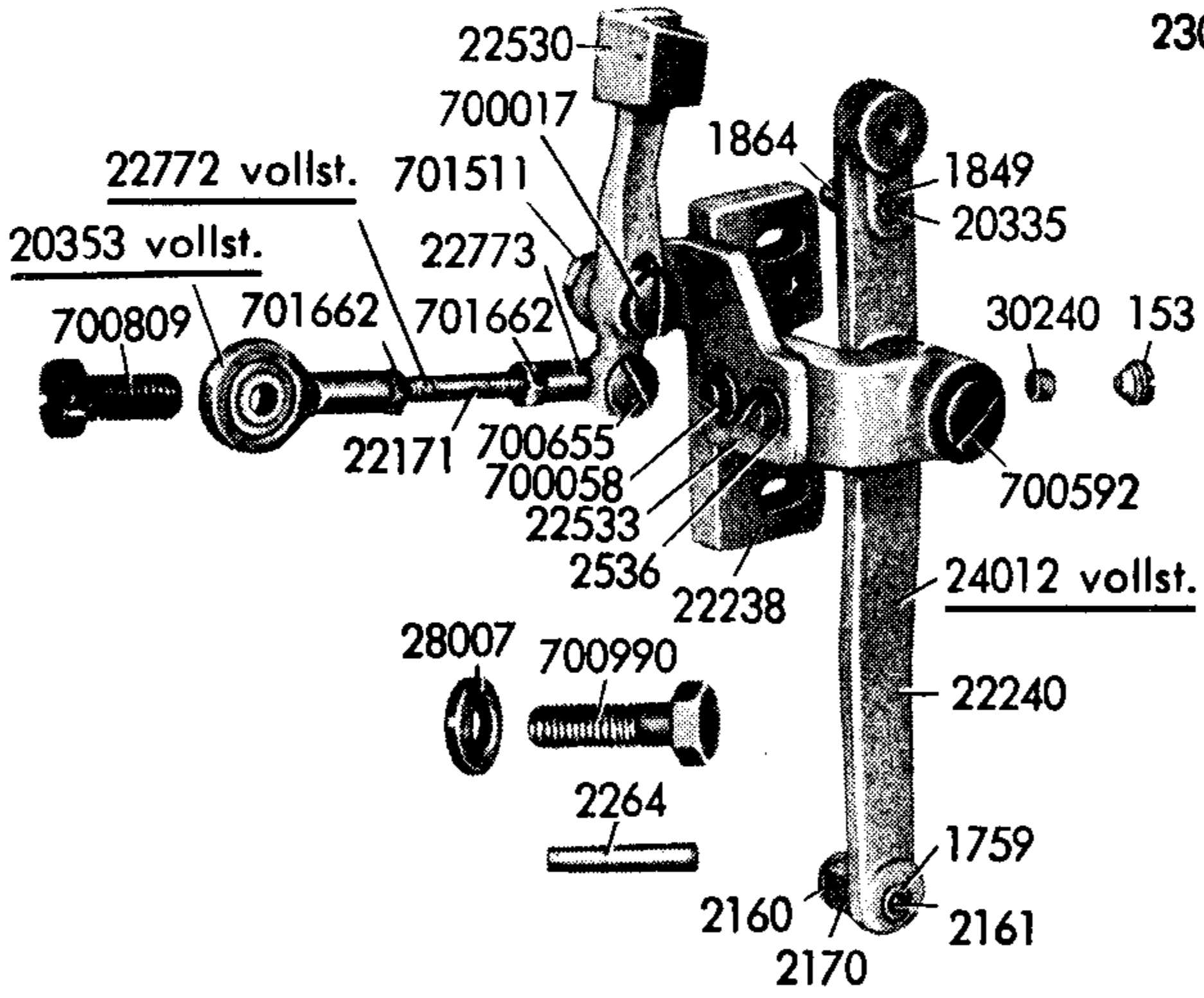
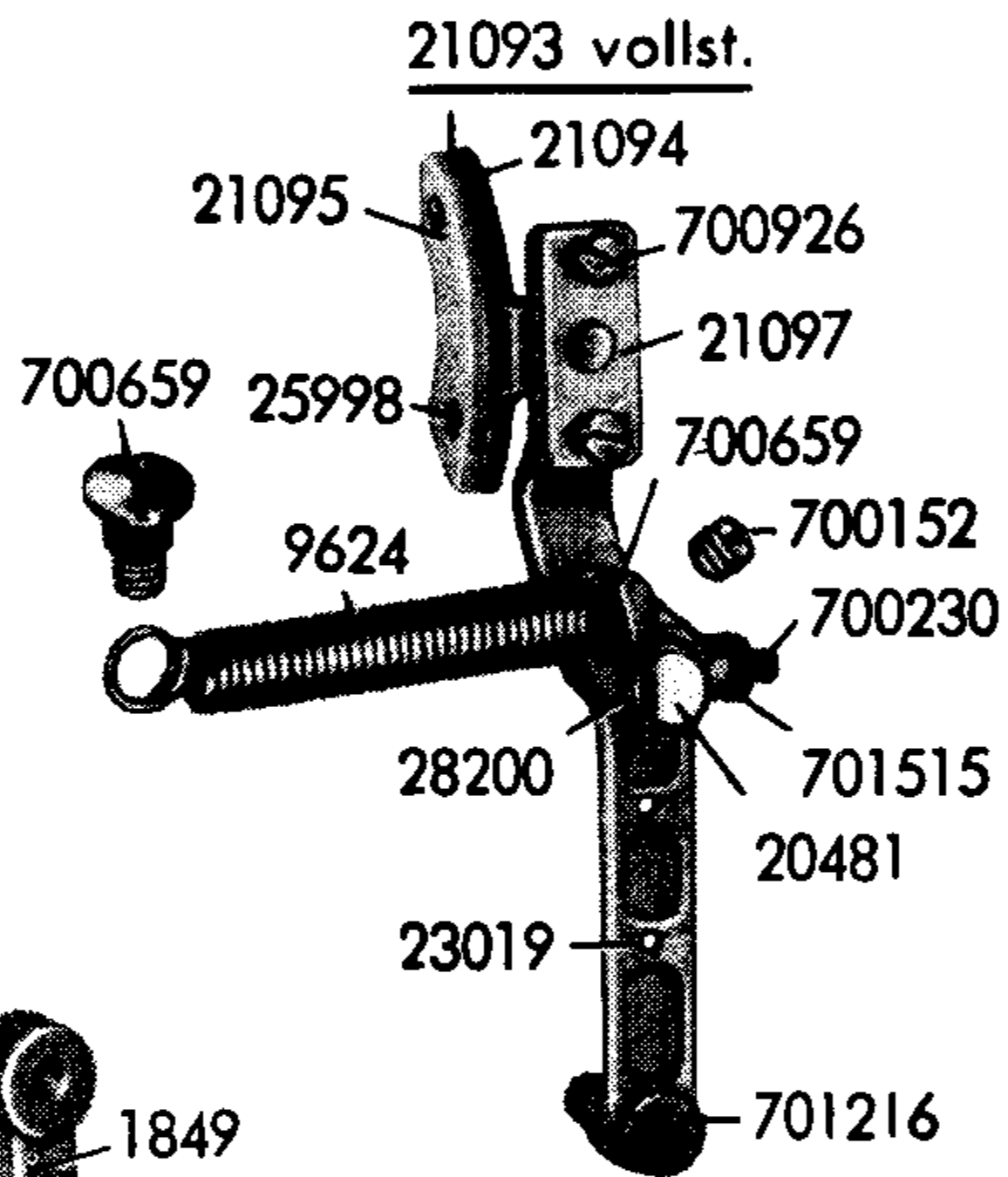
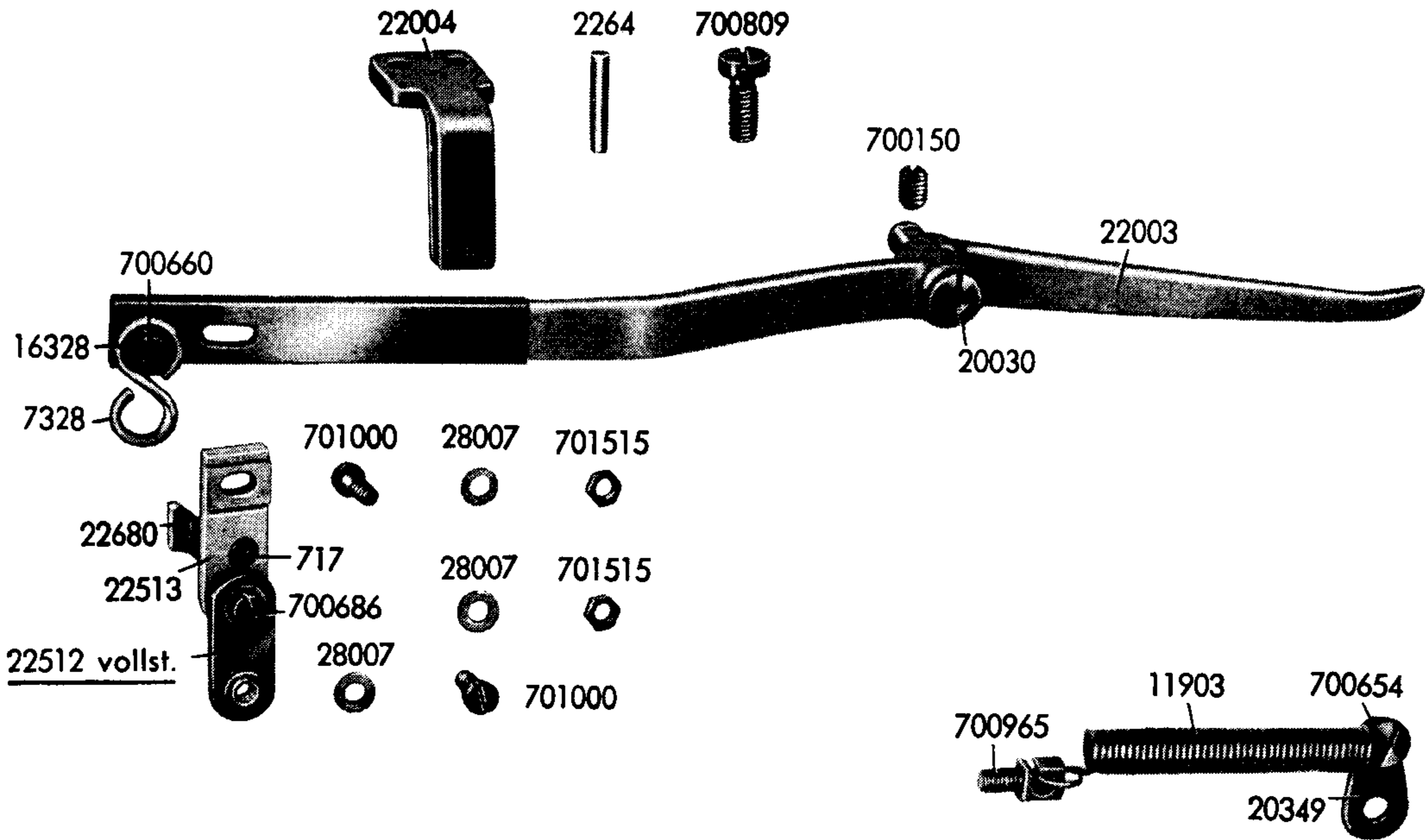


11	Hinge screw for No. 22059	20062	Stop cam for No. 20658
29	Hinge screw for No. 25165	20063	Position pin for No. 20062
56	Set screw for No. 22334	20205	Arm shaft bushing, center (outside dia. 1 1/8" or 1 9/64" = 28.5 or 29 mm)
58	Fastening screw for cap of No. 22059	20272	Stop cam spring for No. 20658
700082	Fastening screw for Nos. 21030; 22328; 22454	20275	Novotex segment for No. 20658
87	Fastening screw for No. 22335	20276	Idler pulley
700150	Fastening screw for Nos. 20002; 20205; 21195	20399	Ball bearing for No. 20276
153	Fastening screw for No. 22313 (see page I)	★ 20658	Driving pulley
700243	Fastening screw for No. 22330	★ 20659	Cap ring for No. 20658
700252	Fastening screw for No. 22333 and binding screw for Nos. 22331; 22334	21023	Feed cam driving worm
700277	Fastening screw for No. 20659	21024	Feed cam driving worm wheel
700321	Fastening screw for No. 22042	21030	Stop tripping segment for No. 22402
700364	Spring suspension screw for No. 7329	21032	Worm wheel shaft bearing bracket, front
367	Fastening screw for No. 22313 (see page I)	21111	Positioning pin for No. 22016
405	Fastening screw for No. 22312	21164	Check block for No. 20272
456	Fastening screw for No. 22312	21195	Arm shaft bushing, rear, w/oil wick No. 10198
700680	Fastening screw, pointed, for No. 21023	21208	Feed cam position stud for No. 22009
700689	Fastening screw, blunt, for Nos. 20658; 21023; 21024	22001	Arm shaft
700809	Fastening screw for Nos. 21032; 22016	22009	Worm wheel shaft
700865	Fastening screw for No. 22228	22016	Worm wheel shaft bearing bracket, rear
1512	Nut for No. 11	22042	Knife cam positioning flange for No. 22228
1513	Nut for No. 22329	22059	Shuttle drive connecting rod, w/ fastening screw No. 58
701515	Nut for No. 22506	22228	Knife cam
1547	Nut for No. 56	22312	Needle bar crank (Models A & B)
701635	Nut for No. 21208	22328	Thread nipper rod extension for No. 22329
701638	Nut for No. 22009	22329	Thread nipper rod
★ 1848	Positioning pin for No. 21024	22330	Bearing bracket for No. 22329
2044	Positioning pin for No. 21032	22331	Thread nipper crank
2056	Positioning pin for No. 20658	22332	Thread nipper hinge stud
2513	Positioning pin for No. 22042	★ 22333	Top cover
7329	Tension spring for No. 22334	22334	Thread nipper tripping lever
★ 18358	Oil cup for No. 20002	22335	Finger for No. 22334
20002	Arm shaft bushing, front, with oil pad No. 12199 (outside dia. 1 9/64" or 1 3/16" = 29 or 30 mm)	22402	Feed cam
20061	Position pin for No. 20658	22454	Thread nipper tripping segment
		22506	Thread guide
		25165	Thread nipper rod joint for Nos. 22329; 22331
		22000	Arm (not ill.)

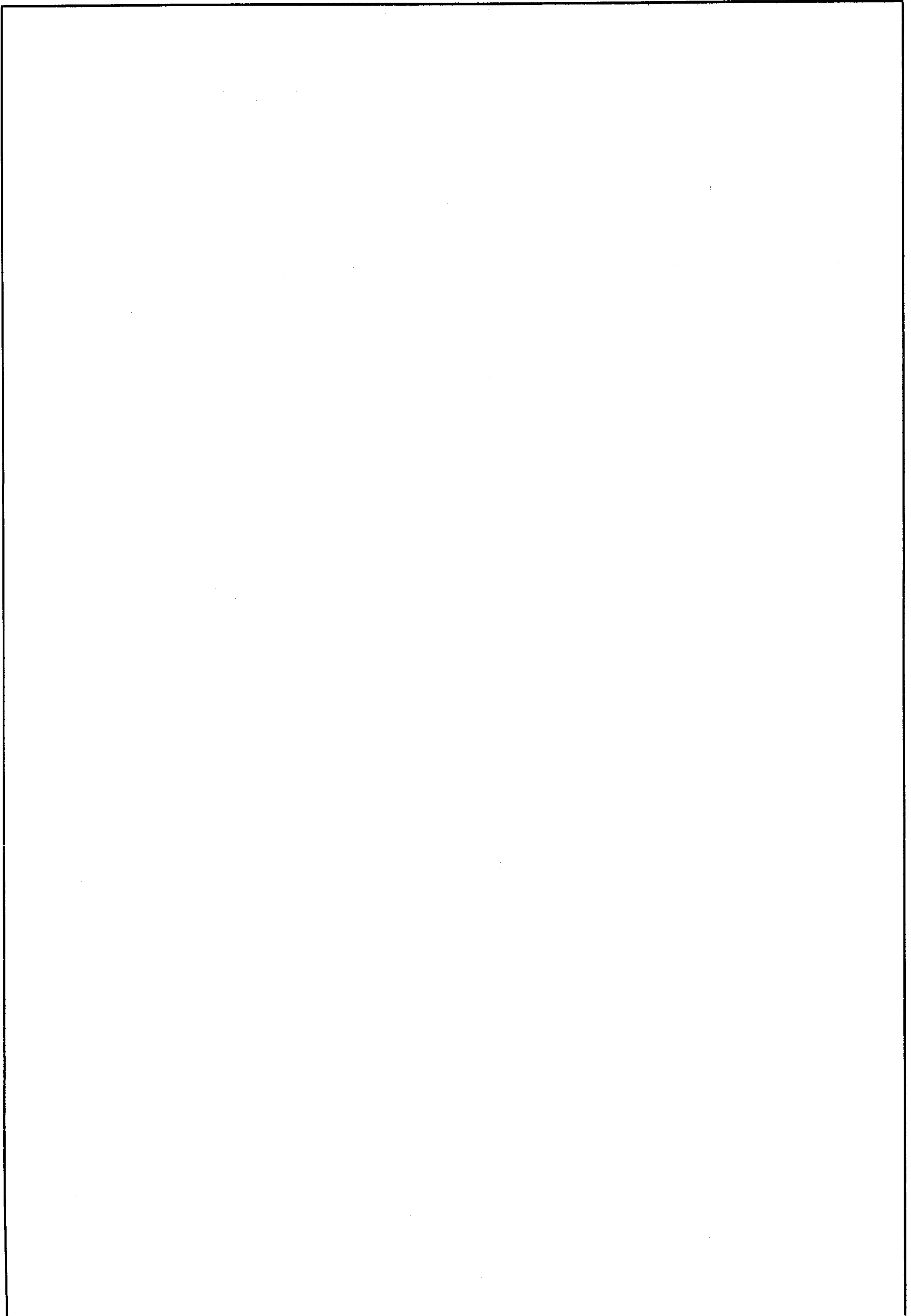




Arm Parts

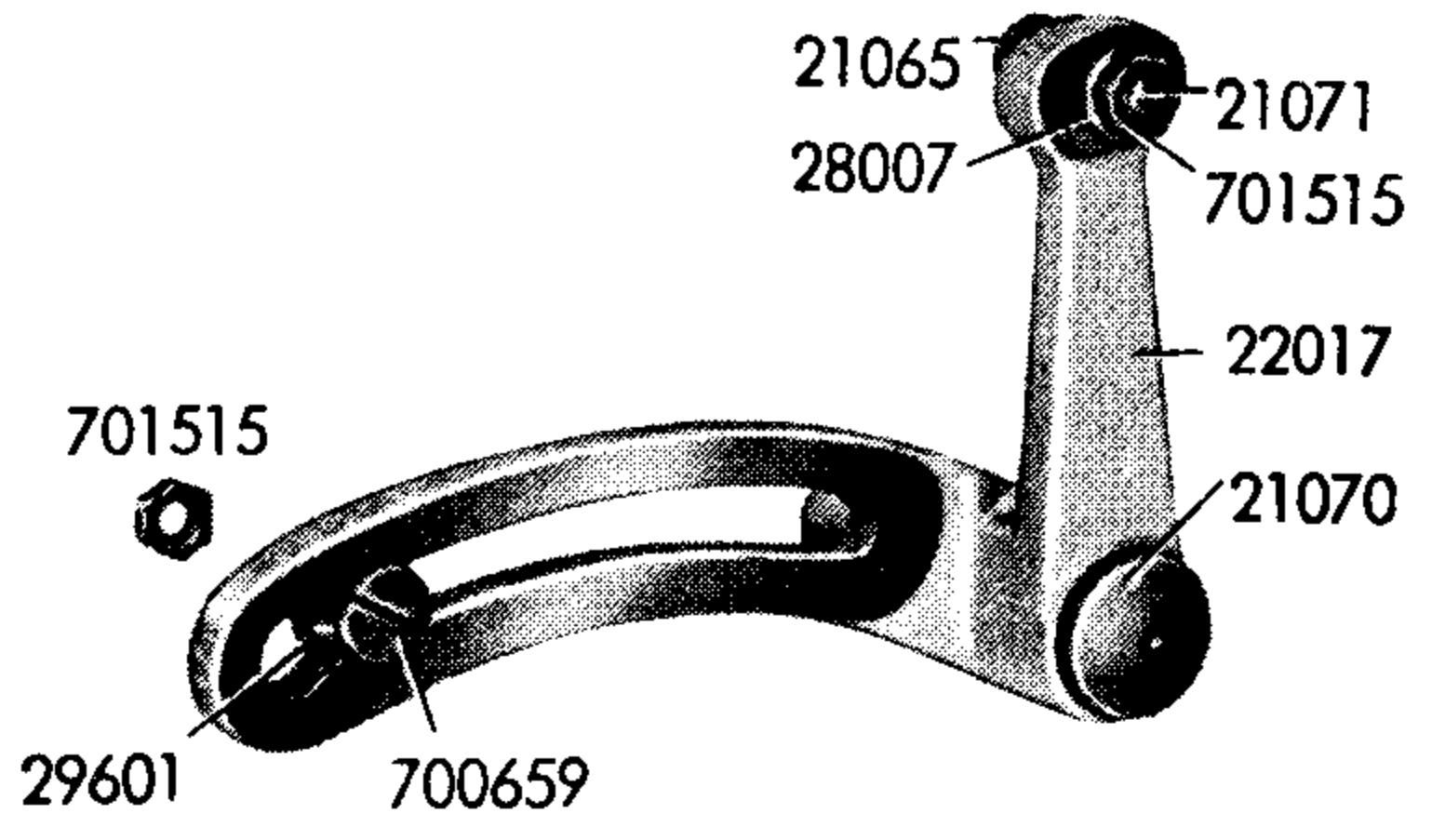
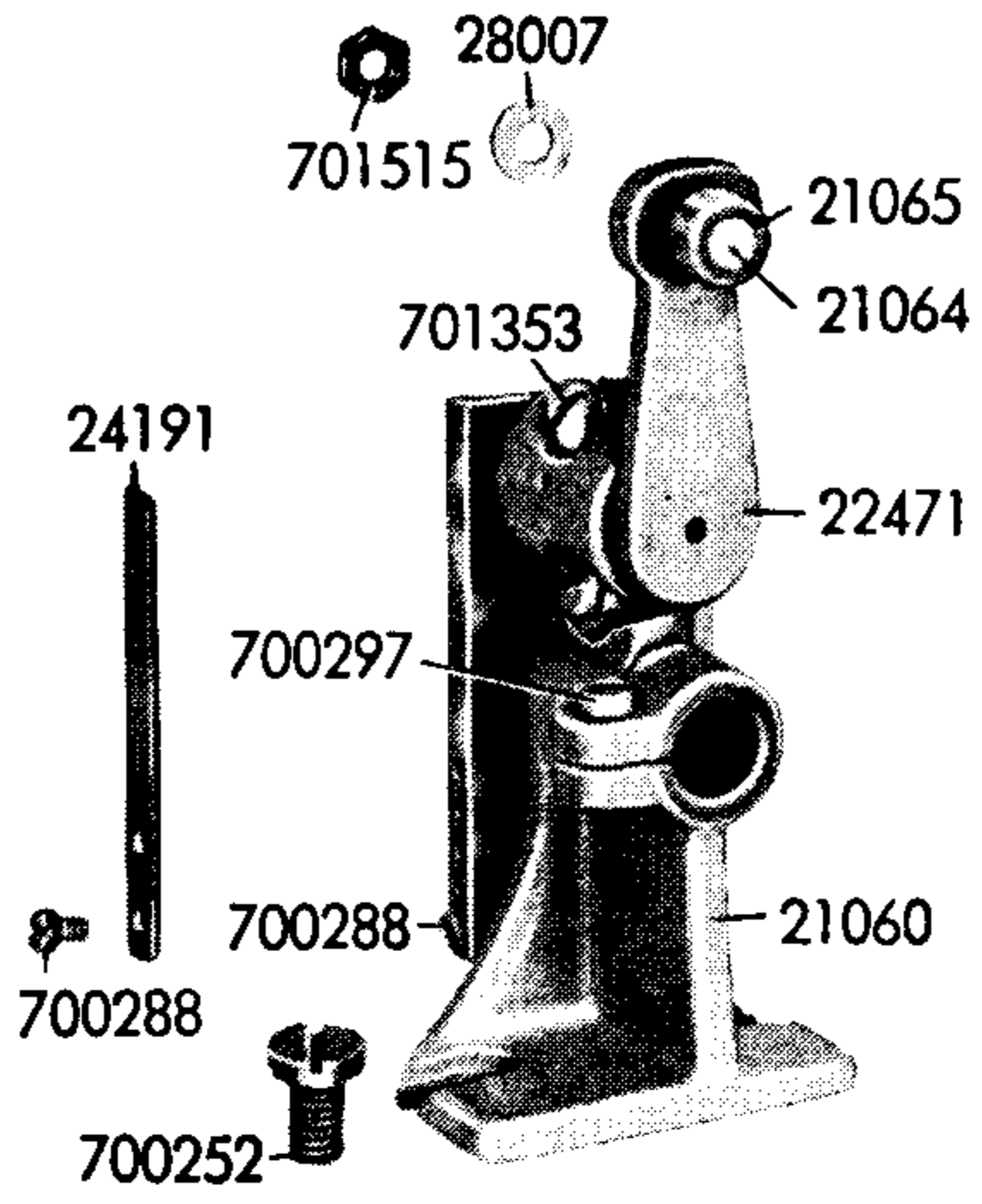
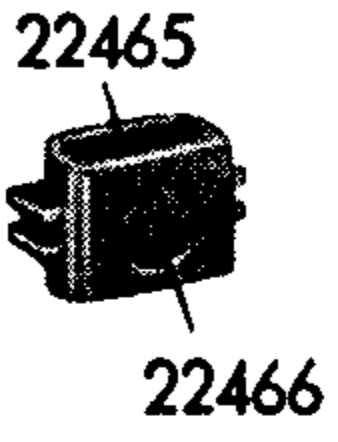
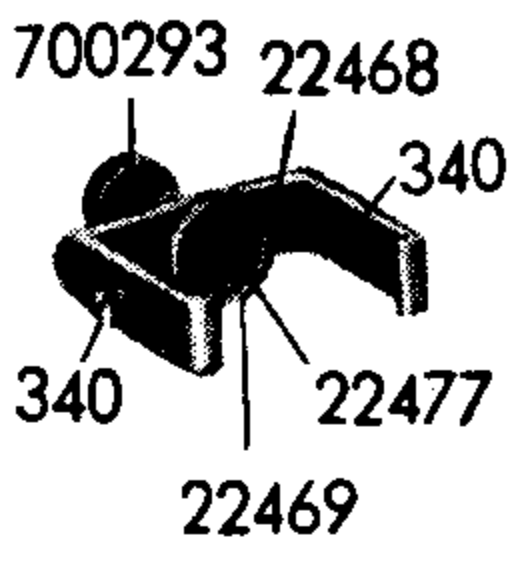


700017	Hinge screw for No. 22530	20067	Stop link rod
700058	Fastening screw for No. 22533	20069	Hinge stud for No. 20067
700150	Fastening screw for No. 20030	20085	Hinge bolt for No. 24523
700152	Fastening screw for No. 20481	20086	Washer for Nos. 20066; 20085
153	Fastening screw for No. 700592	20265	Bearing bracket for No. 17584
700230	Set screw for No. 23019	20269	Catch for No. 17584
700297	Fastening screw for Nos. 11126; 21196	20271	Latch for No. 24523
700323	End screw for Nos. 20066; 20085 and fastening screw for Nos. 21083; 22458	20335	Roller stud, flanged, for No. 1864
700352	Fastening screw for No. 20265	20349	Spring suspension bracket for Nos. 11903; 17584
700364	Spring suspension screw for No. 7329	20353	Ball joint for No. 22772, complete, consisting of No. 20345 Ball joint end bearing No. 20346 Ball joint
700545	Spring suspension screw for No. 7329	20386	Pressure spring for No. 20067
700592	Hinge screw for No. 22240	20387	Spring collar for No. 20386
★ 700654	Spring suspension screw for No. 20349	20396	Oil felt washer for No. 20067
700655	Hinge screw for No. 22773	20467	Stop pin for No. 17584
700659	Spring suspension screw for No. 9624	20481	Stop pin for No. 23019
700660	Hook suspension screw for No. 22003	21083	Tripping dog for No. 24523
700686	Fastening screw for Nos. 22512; 22680	21093	Brake block, complete, consisting of Nos. 21094; 21095; 25998
717	Fastening screw for No. 22680	21094	Brake block for No. 21093
★ 700809	Hinge screw for No. 20353	21095	Brake lining for No. 21093
700809	Fastening screw for No. 22004	21097	Brake regulating bracket for No. 21093
700926	Fastening screw for No. 21097	21196	Belt shifter
700964	Hinge screw for Nos. 20065; 20066	★ 21372	Washer for Nr. 11176
700965	Spring suspension screw for No. 11903	22003	Lifting lever
700990	Fastening screw for Nos. 20269; 20271; 22238	22004	Lifting lever guide
701000	Fastening screw for Nos. 22512; 22513	22171	Connecting rod for No. 22772
701154	Fastening screw for No. 20265	22238	Bearing bracket for No. 22240
701199	Hinge screw for Nos. 20065; 20067	22240	Knife bar tripping lever for No. 24012
★ 701216	Hinge screw for No. 23019	22458	Hand stop lever plate for No. 24523
701511	Nut for No. 700017	★ 22512	Ball joint connection, complete, consisting of No. 20346 Ball joint No. 22511 Connection
701515	Nut for Nos. 700230; 700686; 701000	★ 22513	Bracket for Nos. 22512; 22680
701658	Nut for No. 20067	★ 22530	Locking lever
701662	Nut for Nos. 701199; 22171	22533	Bracket for No. 22530
1759	Slide block stud for No. 2170	★ 22680	Lifting lever stop for No. 22003
1849	Roller stud for No. 1864	★ 22772	Ball joint connection for No. 22530, complete, consisting of Nos. 701662; 20353, complete; 22171; 22773
1864	Roller for No. 22240 (outside dia. = 7.0 mm; 7.02 mm; 7.04 mm; 7.06 mm; 7.08 mm; optional)	22773	Connecting rod joint for No. 22772
2160	Washer for No. 2170	★ 23019	Brake lever
2161	Positioning pin for No. 2160	24012	Knife bar tripping lever, complete, consisting of Nos. 1759; 1849; 2160; 2161; 2170; 22240
2170	Slide block for No. 22240	24523	Tripping lever
2264	Positioning pin for Nos. 22004; 22238	25694	Pressure spring for No. 20396
2536	Washer for No. 700058	25998	Rivet for No. 21095
7328	Chain suspension hook for No. 22003	28007	Washer for Nos. 700990; 701515; 22512
7329	Tension spring for No. 24523	28200	Washer for No. 20481
9624	Tension spring for No. 23019	30240	Friction roller for No. 153
11126	Stop motion lever hinge stud	30313	Washer for No. 25694
★ 11176	Circlip for No. 20069	98264	Spring washer for No. 701662
11903	Tension spring for No. 17584		
16328	Slip washer for No. 700660		
17584	Stop motion lever		
20030	Hinge stud for No. 22003		
20065	Stop link		
20066	Hinge stud for No. 20065		

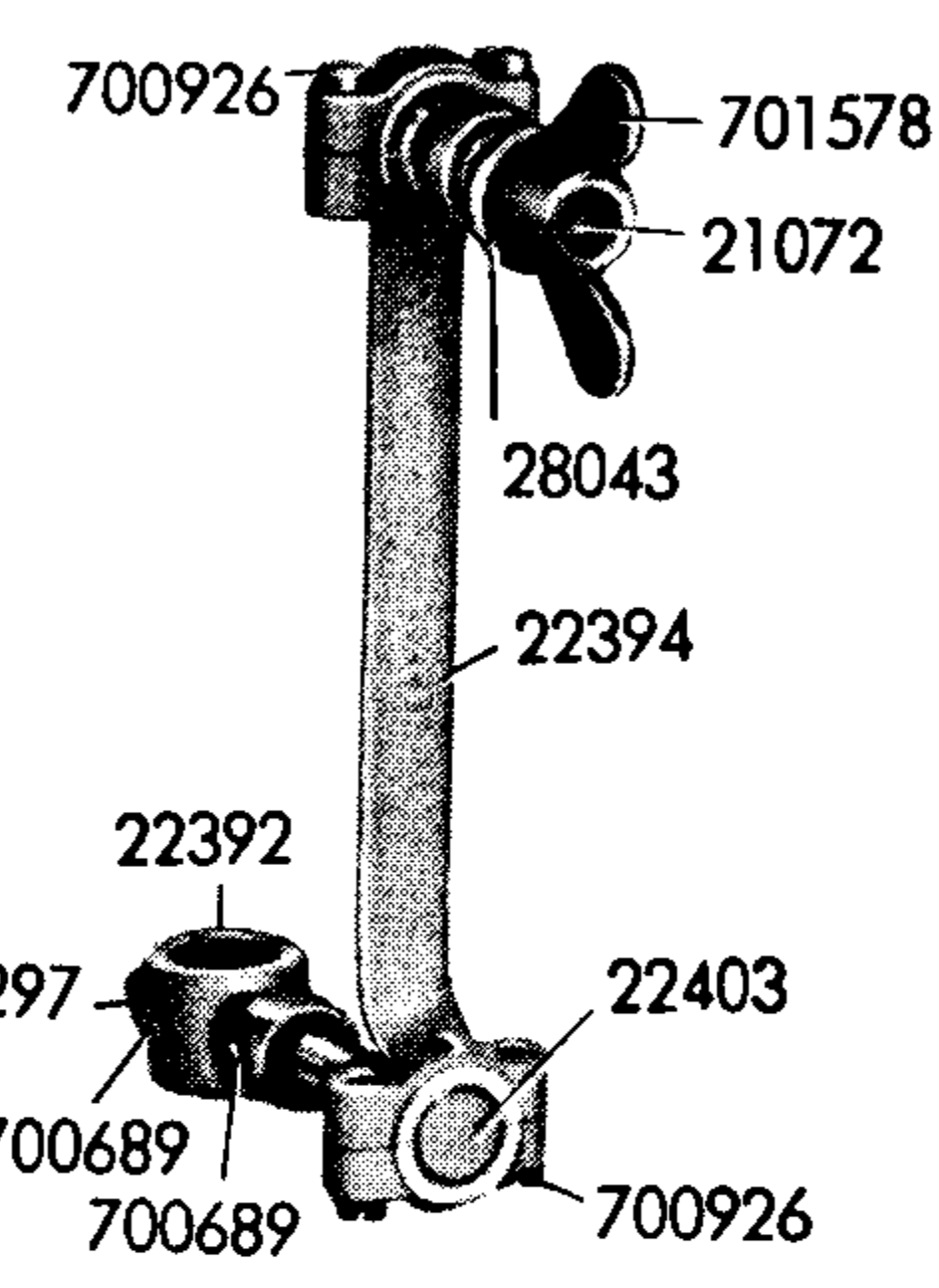


Cylinder Bed Parts

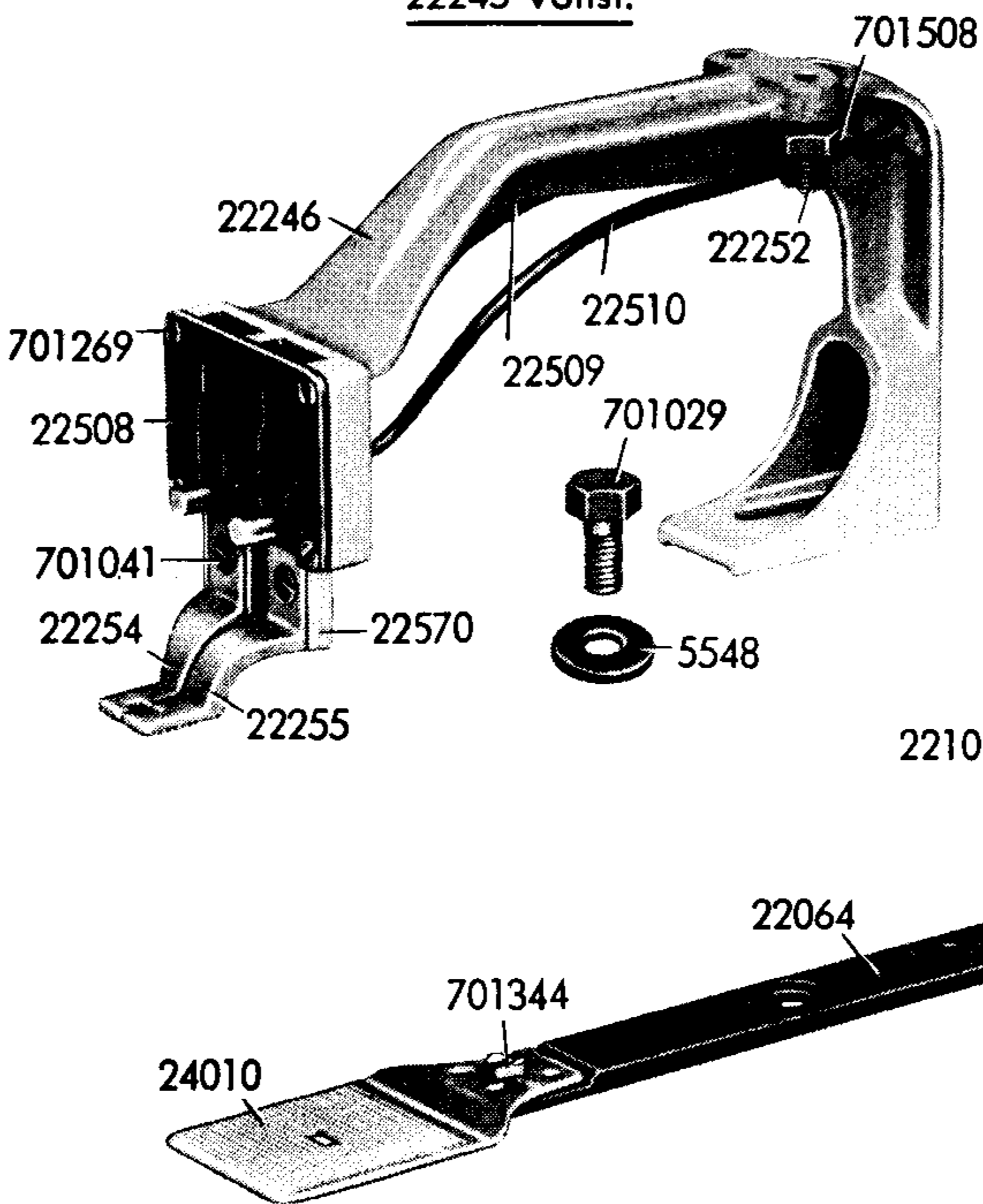
22467 vollst.



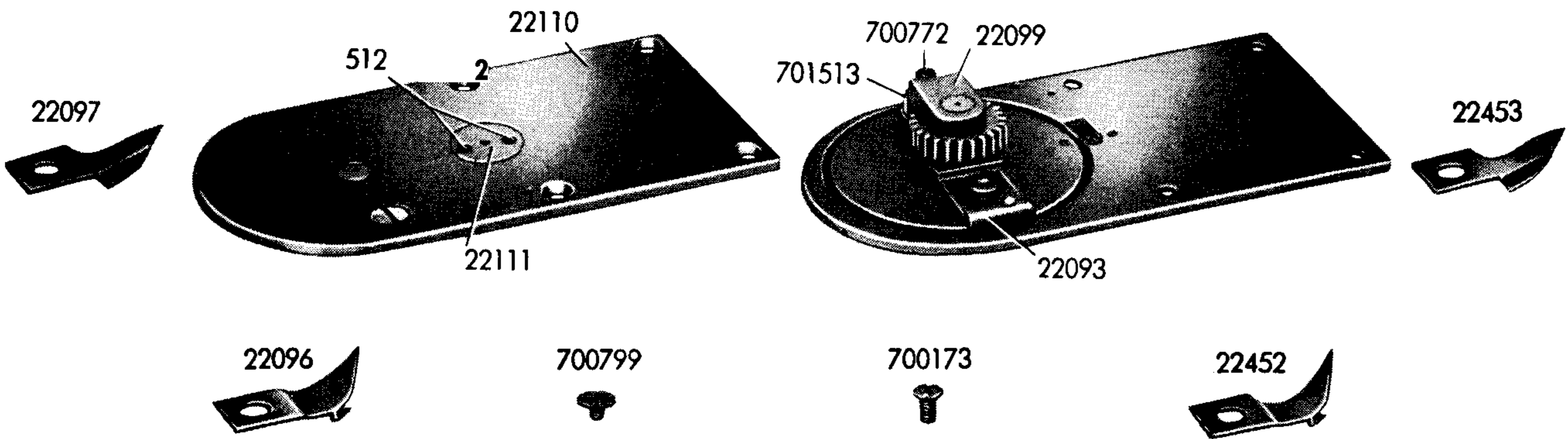
24050 vollst.



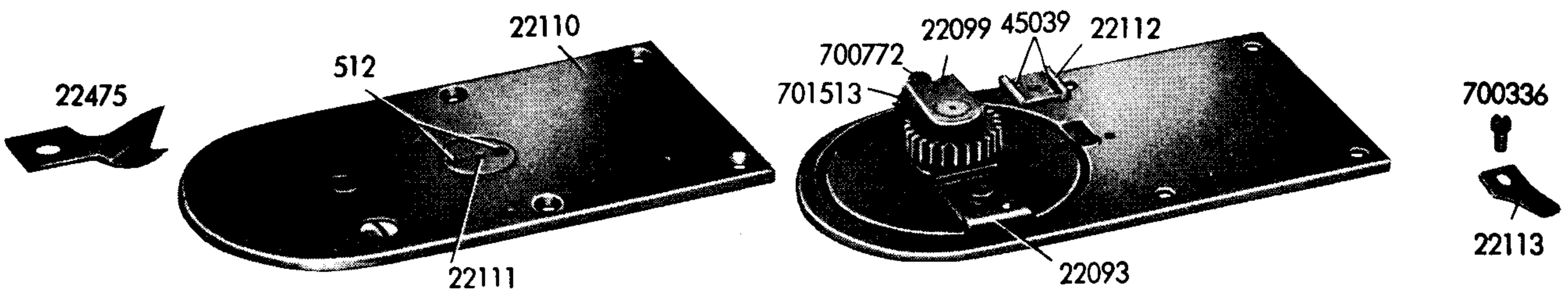
22245 vollst.



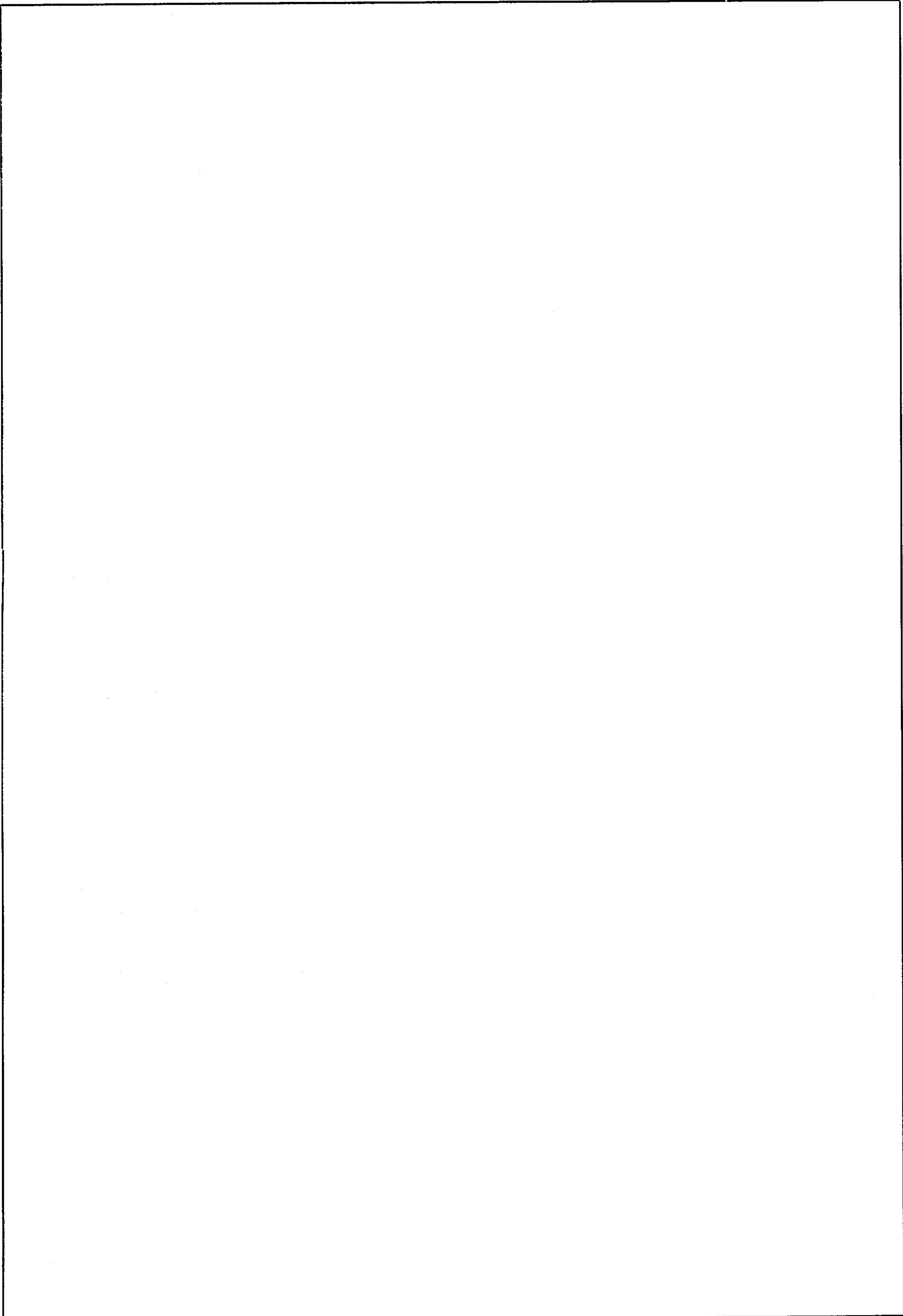
22114 vollst.



22109 vollst.

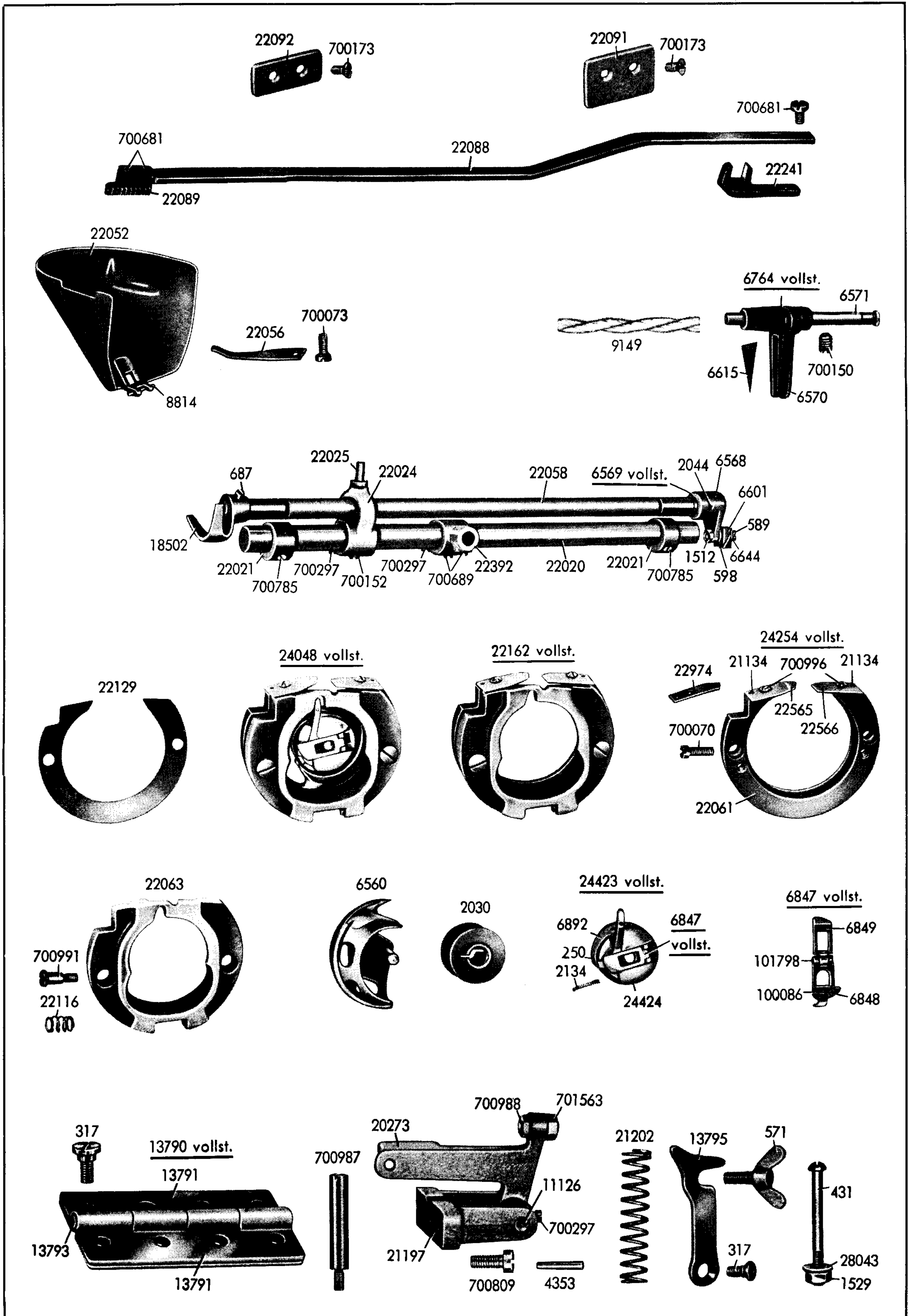


- 700083** Fastening screw for No. 22389
700172 Fastening screw for No. 22459
700173 Fastening screw for Nos. 22109; 22114
700252 Fastening screw for Nos. 21060; 22102
700288 Stop screw for No. 22471 (for large tacks) and fastening screw for No. 24191
700293 Thumb screw for No. 22467
700297 Binding screw for Nos. 21060; 22392
700336 Fastening screw for Nos. 21154; 22113 and stop screw for No. 22459
340 Positioning screw No. 22467
512 Fastening screw for No. 22111
★ **700659** Stop screw for No. 22017
700689 Fastening screw for Nos. 22392; 22403
700772 Fastening screw for No. 22099
700799 Fastening screw for Nos. 22096; 22097 22452; 22453; 22475
700926 Fastening screw for cap of No. 22394
701029 Fastening screw for No. 22245
701041 Fastening screw for Nos. 22254; 22255
★ **701269** Fastening screw for No. 22508
701344 Fastening screw for No. 24010
★ **701353** Fastening screw for bearing cap of No. 21060
701508 Regulating nut for No. 22252
701513 Nut for No. 700772
701515 Nut for Nos. 700659; 21064; 21071
701578 Wing nut for No. 21072
5548 Washer for No. 701029
21060 Bearing bracket for Nos. 22017; 22471 (with binding screw No. 700297 and fastening screw No. ★ 701353)
21064 Roller stud for No. 22471
21065 Roller for Nos. 22017; 22471 (Orders should state the marks stamped on the face:
1 x = 12.70 mm or 0.4999" dia.;
2 x = 12.72 mm or 0.5007" dia.;
3 x = 12.74 mm or 0.5015" dia.;
4 x = 12.76 mm or 0.5023" dia.)
21070 Hinge stud for No. 22017
21071 Roller stud for No. 22017
21072 Ball screw stud for No. 24050
21154 Guide plate for No. 22064
21156 Slide block for No. 22064
22017 Feed across regulator
22064 Feed plate carrier bar for Nos. 22245; 24010
22093 Knife carrier for Nos. 22109; 22114
22096 Bobbin thread knife for Nos. 22109; 22114 (special type)
22097 Needle thread knife for No. 22114 (special type)
22099 Knife holder pinion stud bracket for No. 22093
22102 Guide plate for No. 22064
22109 Needle plate (Model A), complete, consisting of Nos. 512; 700772; 701513; 22093; 22099; 22110; 22111; 22112; 45039 (special type)
22110 Needle plate for Nos. 22109; 22114
22111 Needle plate insert for Nos. 22109; 22114 (Model A)
22112 Stationary knife holder for No. 22109
22113 Stationary knife for No. 22109
22114 Needle plate (Model A), complete, consisting of Nos. 512; 700772; 701513; 22093; 22099; 22110; 22111 (standard type)
22245 Work clamp, complete, consisting of Nos. 701041; 701269; 701508; 22246; 22252; 22254; 22255; 22508; 22509; 22510; 22570
22246 Work clamp frame for No. 22245
22252 Stud, threaded, for No. 22245
22254 Work clamp foot, left, for No. 22245
22255 Work clamp foot, right, for No. 22245
22389 Feed across driving block for No. 22064
22390 Hinge stud for No. 22389
22391 Guide plate for No. 22064
22392 Feed across shaft crank, rear, for No. 24050
22394 Ball joint connection for No. 24050 (with fastening screw No. 700926)
22403 Ball stud for No. 22394
22452 Bobbin thread knife for Nos. 22109; 22114 (standard type)
22453 Needle thread knife for No. 22114 (standard type)
★ **22459** Feed regulator post for No. 22064
★ **22465** Feed regulator swivel for No. 22466
★ **22466** Hinge stud for No. 22459
22467 Swivel clamp for No. 22465, complete, consisting of Nos. 700293; 340; 22468; 22469; 22477
22468 Swivel clamp for No. 22467
22469 Thrust washer for No. 22467
★ **22471** Feed regulator
22475 Needle thread knife for No. 22109
22477 Circlip for No. 22467
★ **22508** Work clamp face plate for No. 22245
★ **22509** Pressure spring for No. 22254
★ **22510** Pressure spring for No. 22255
★ **22570** Work clamp foot bracket for No. 22245
★ **24010** Feed plate
Cutout size $\frac{5}{32}$ " x $\frac{11}{32}$ " (3.8 x 8.6 mm) (Models A; B)
24050 Ball joint connection, complete, consisting of Nos. 700297; 700689; 701578; 21072; 22392; 22394; 22403; 28043
24191 Stop for No. 22471 (for small tacks, to be fitted when mounted on machine)
28007 Washer for No. 701515
28043 Washer for 701578
29601 Washer for No. 701515
45039 Positioning pin for No. 22112
★ **100075** Hinge screw for No. 21156
22050 Cylinder arm, with 4 arm screws No. 701063 and 2 dowel pins No. ★ 101824 (not ill.)

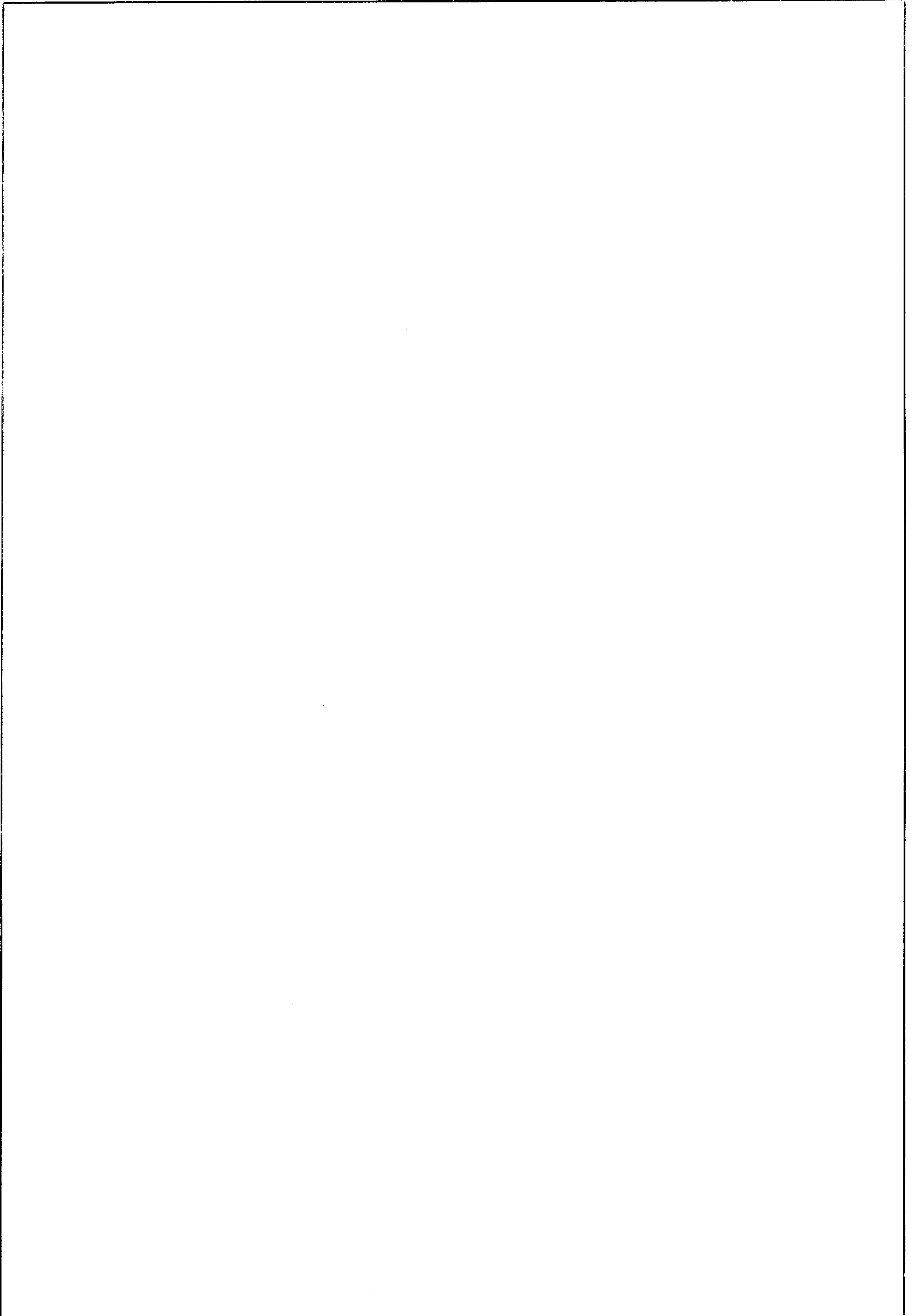


V

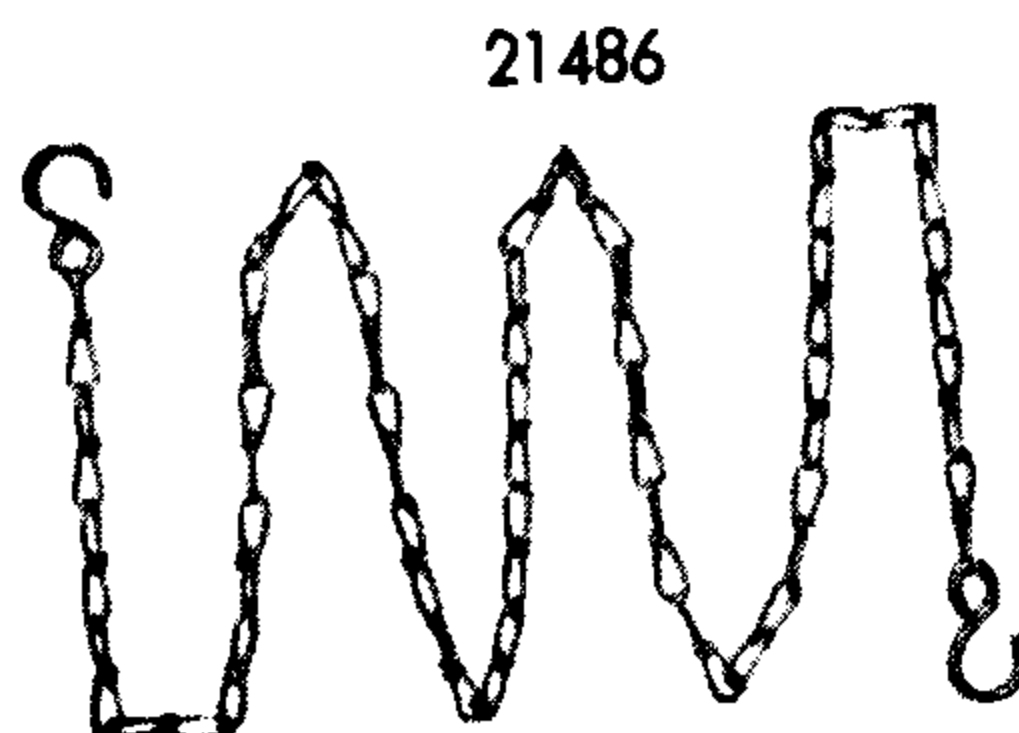
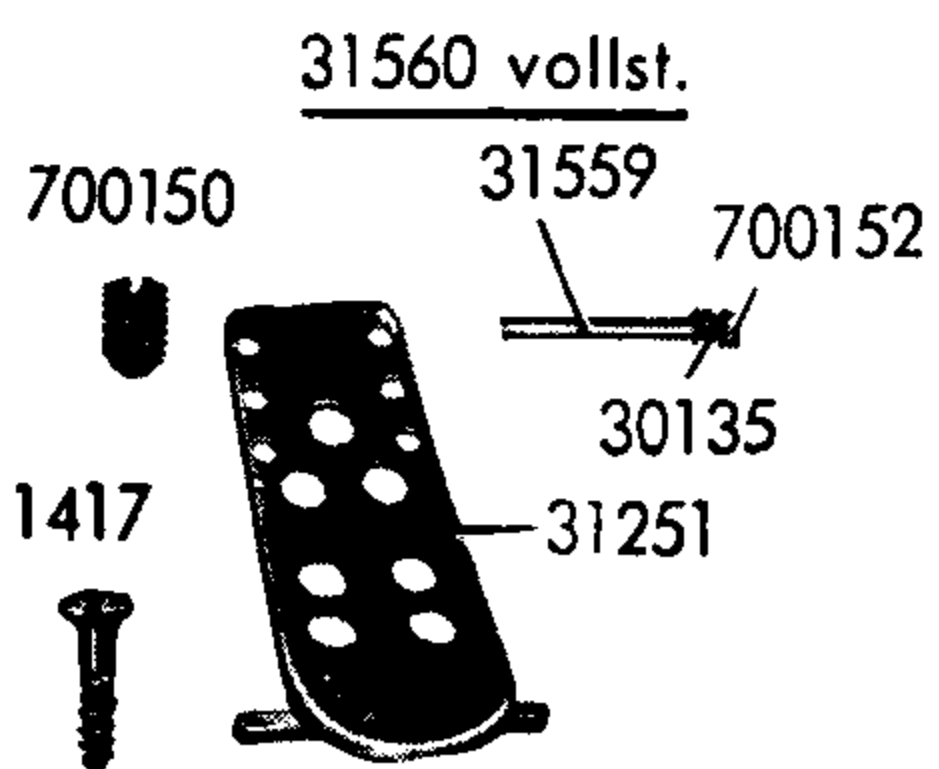
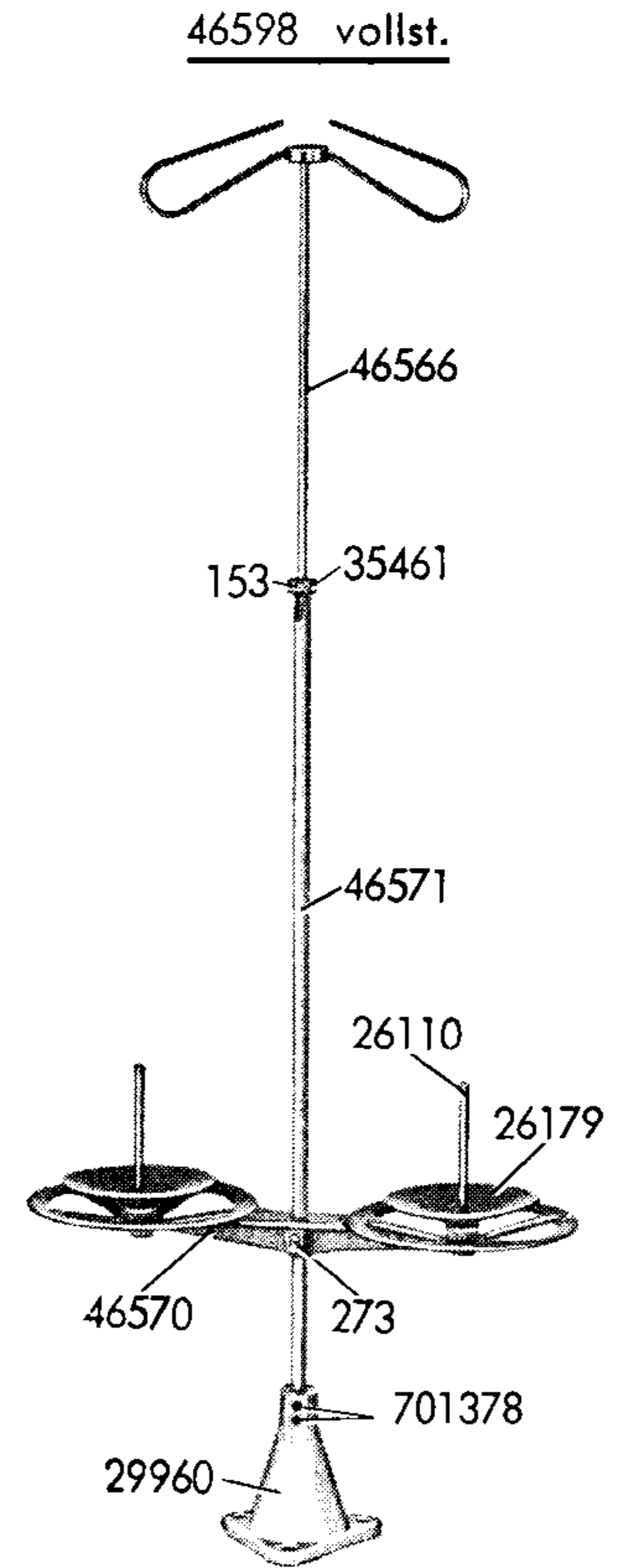
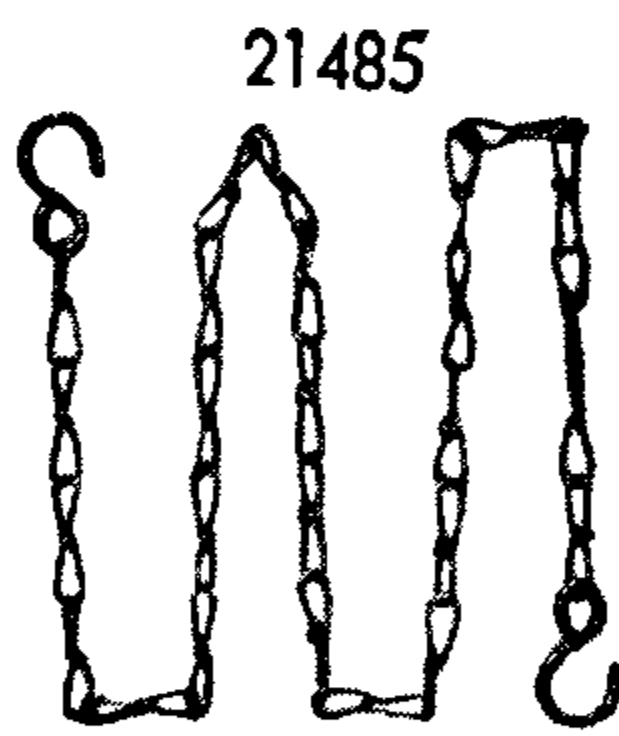
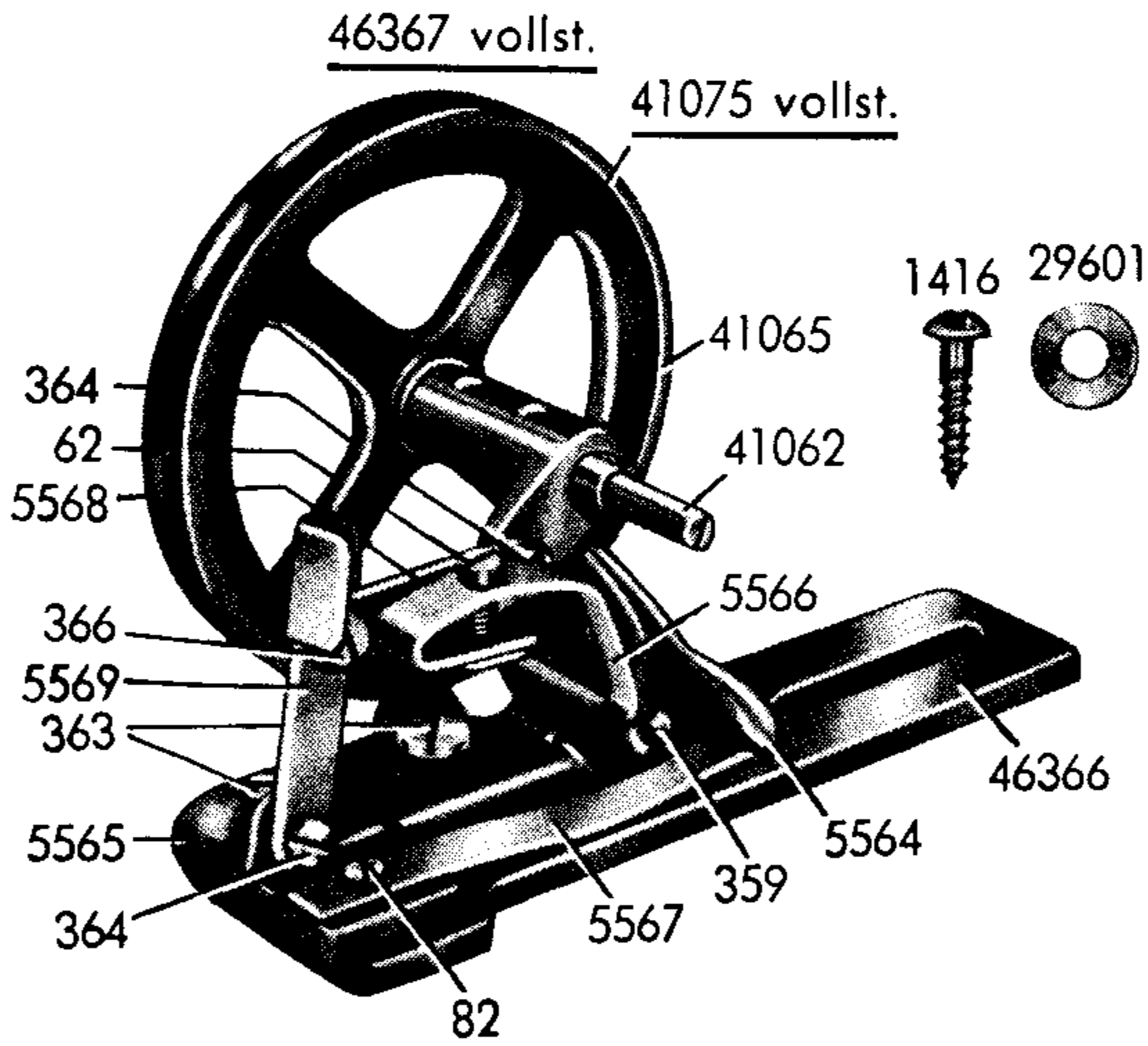
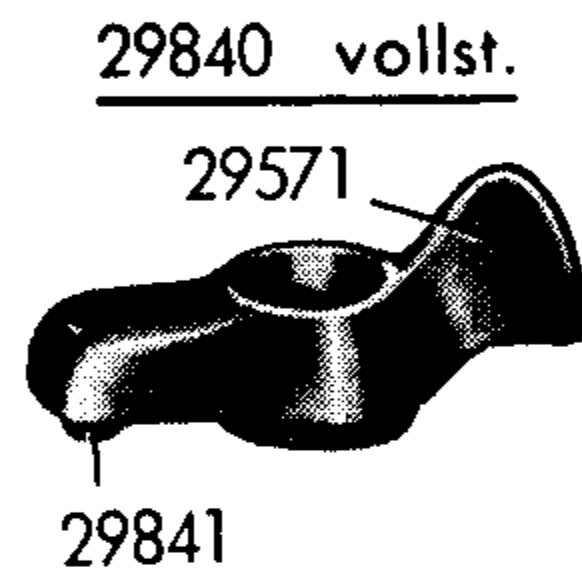
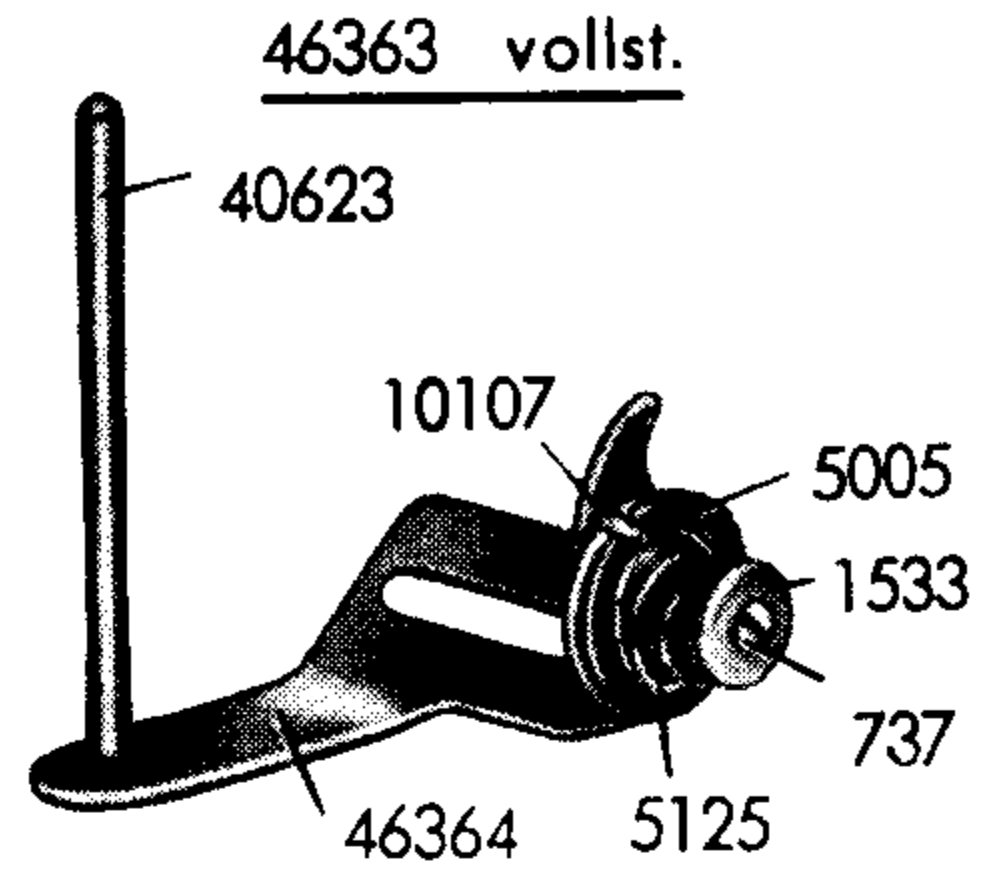
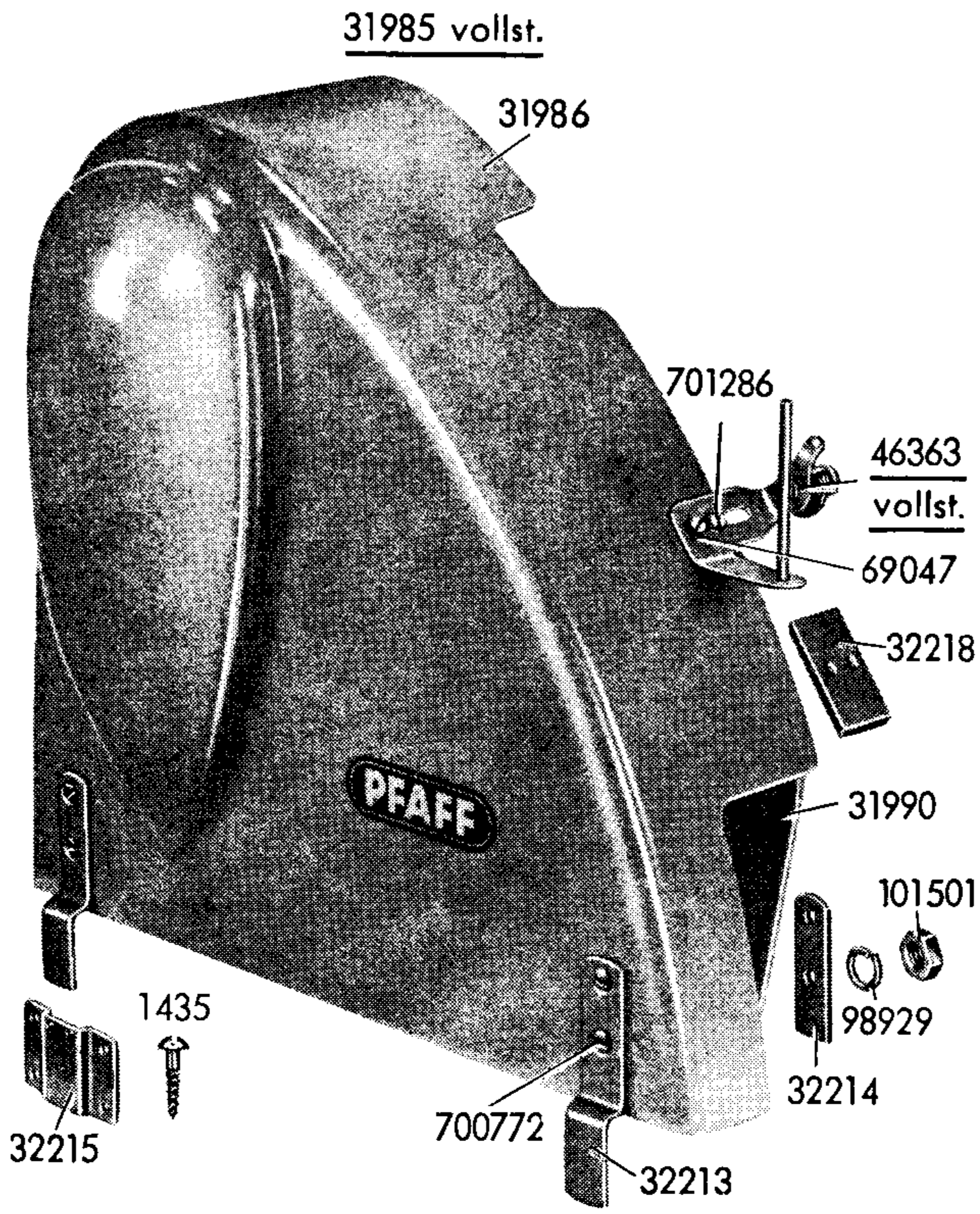
**Cylinder Bed
and Machine Base Parts**



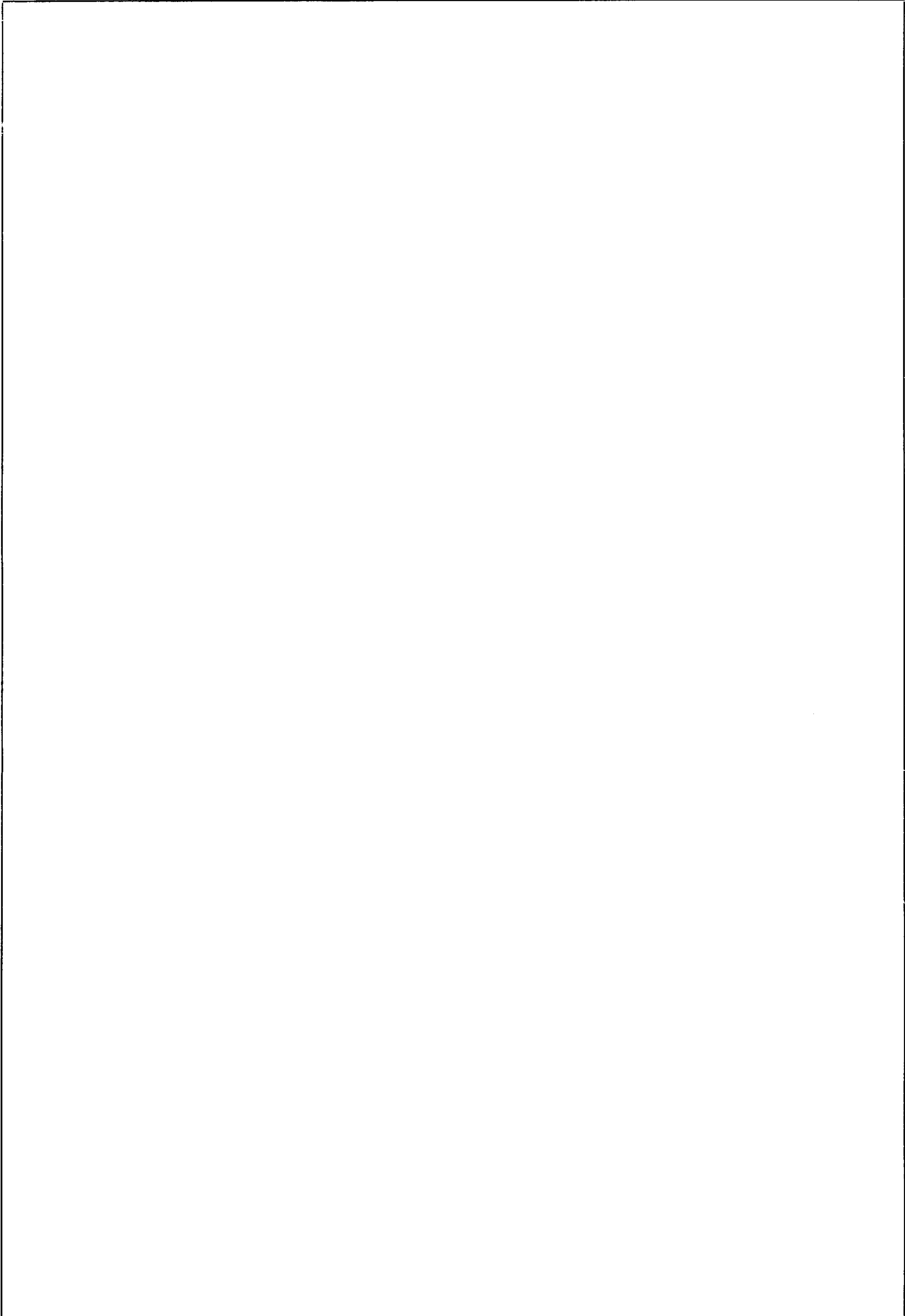
- | | | | |
|---------------|---|-----------------|---|
| 700070 | Fastening screw for No. 24254 | 11126 | Starting lever hinge stud for No. 20273 |
| 700073 | Fastening screw for No. 22056 | 13790 | Hinge (connecting machine arm to base), complete, consisting of Nos. 13791; 13793 |
| 700150 | Fastening screw for No. 6571 | 13791 | Hinge leaf for No. 13790 |
| 700152 | Fastening screw for No. 22024 | 13793 | Hinge stud for No. 13790 |
| 700173 | Fastening screw for Nos. 22091; 22092 | 13795 | Catch (securing machine arm to base) |
| 250 | Regulating screw for No. 6892 | 18502 | Shuttle driver |
| 700297 | Fastening screw for No. 20273 and binding screw for Nos. 22024; 22392 | 20273 | Starting lever |
| ★ 317 | Fastening screw for No. 13790 and hinge screw for No. 13795 | 21134 | Positioning pin for Nos. 22565; 22566 |
| 431 | Cup-head bolt for machine base | 21197 | Bearing bracket for No. 20273 |
| ★ 571 | Wing screw for No. 13795 | 21202 | Pressure spring for No. 20273 |
| ★ 589 | End screw for No. 6569 | 22020 | Feed across shaft |
| ★ 598 | Slide block stud for No. 6569 | 22021 | Set collar for No. 22020 |
| 700681 | Fastening screw for Nos. 22089; 22241 | 22024 | Feed across shaft crank, front |
| 687 | Fastening screw for No. 18502 | 22025 | Driving stud |
| 700689 | Fastening screw for Nos. 22392; 22403 (see page IV) | 22052 | Cylinder arm cap (with hinge pin No. 8814) |
| 700785 | Fastening screw for No. 22021 | 22056 | Cylinder arm cap spring for No. 22052 |
| 700809 | Fastening screw for No. 21197 | 22058 | Shuttle driver shaft |
| 700987 | Guide screw for No. 21202 | 22061 | Shuttle race |
| 700988 | Set screw for No. 20273 | 22063 | Shuttle race ring |
| 700991 | Fastening screw for No. 22063 | 22088 | Knife bar |
| 700996 | Fastening screw for Nos. 22565; 22566 | 22089 | Knife bar rack for No. 22088 |
| 1512 | Nut for No. 598 | 22091 | Position bracket for No. 22241 |
| 1529 | Nut for No. 431 | 22092 | Position bracket for No. 22088 |
| 701563 | Nut for No. 700988 | 22116 | Pressure spring for No. 22063 |
| 2030 | Bobbin | 22129 | Spacing washer .003" (0.1 mm) thick Nr. 24426 = .007" (0.2 mm) thick for No. 22061 (optional) |
| 2044 | Positioning pin for No. 6569 | 22162 | Shuttle race, complete, consisting of Nos. 700991; 22063; 22116; 24254, complete |
| 2134 | Pressure spring for No. 6848 | 22241 | Knife bar tripping fork for No. 22088 |
| 4353 | Positioning pin for No. 21197 | 22392 | Feed across shaft crank, rear |
| 6560 | Shuttle | 22565 | Shuttle race cap, left, for No. 24254 |
| 6568 | Shuttle driver shaft crank | 22566 | Shuttle race cap, right, for No. 24254 |
| 6569 | Shuttle driver shaft crank, complete, consisting of Nos. 589; 598; 1512; 6568; 6601; 6644 | 22974 | Shuttle race cap, left, for No. 24254 |
| 6570 | Oscillating rock shaft for No. 6764 | 24048 | Shuttle race, with shuttle and bobbin case, complete, consisting of Nos. 6560; 22162 complete; 24423 complete |
| 6571 | Oscillating rock shaft hinge pin for No. 6764 | 24254 | Shuttle race, complete, consisting of Nos. 700996; 21134; 22061; 22565; 22566 |
| 6601 | Slide block for No. 6569 | ★ 24423 | Bobbin case, complete, consisting of Nos. 250; 2134; 6847, complete; 6892; 24424 |
| 6615 | Oil pad for No. 6570 | ★ 24424 | Bobbin case |
| ★ 6644 | Washer for No. 6569 | 28043 | Washer for No. 1529 |
| 6764 | Oscillating rock shaft, complete, consisting of Nos. 6570; 6571 | ★ 100086 | Stop screw for No. 6848 |
| ★ 6847 | Bobbin case latch, complete, consisting of Nos. 6848; 6849; 100086; 101798 | ★ 101798 | Hinge pin for No. 6847 |
| ★ 6848 | Bobbin case latch for No. 6847 | 21198 | Machine base (not ill.) |
| ★ 6849 | Bobbin case latch lever for No. 6847 | | |
| ★ 6892 | Tension spring for No. 24423 | | |
| 8814 | Hinge pin for No. 22052 | | |
| 9149 | Oil wick for No. 6571 | | |



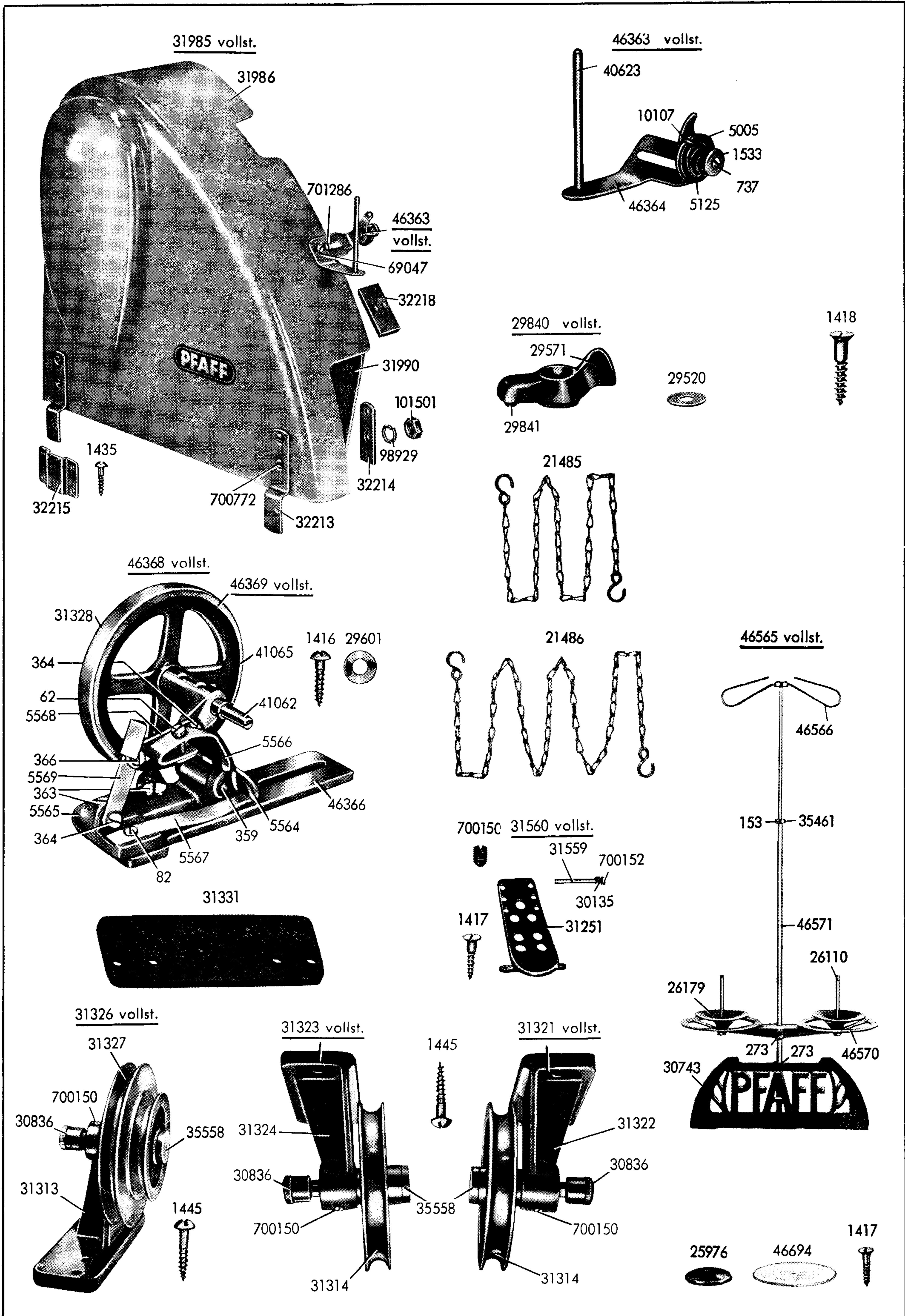
**Organizational Parts
for Individual Power Drive**



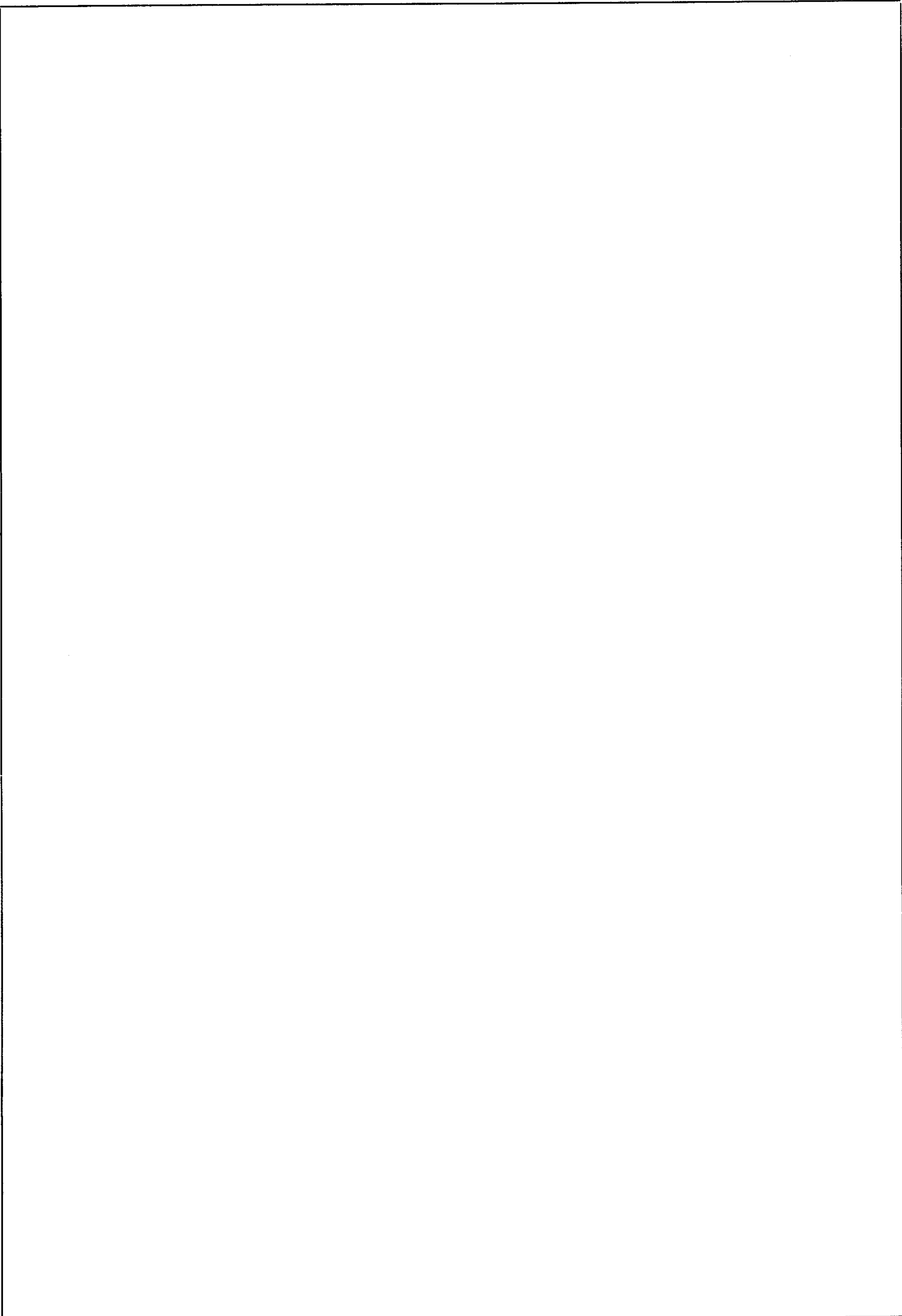
- | | |
|--|--|
| 62 Set screw for No. 5566 | ★ 29960 Thread unwinder base for No. 46598 |
| 82 Fastening screw for No. 5567 | 30135 Set collar for No. 31559 |
| 700150 Fastening screw for No. 31559 | 31251 Treadle, narrow |
| 700152 Fastening screw for No. 30135 | 31559 Chain suspension stud for No. 31560 |
| ★ 153 Fastening screw for No. 46566 | 31560 Treadle, narrow, complete,
consisting of Nos. 700150; 700152; 30135;
31251; 31559 |
| ★ 273 Fastening screw for No. 46570 | ★ 31985 Belt guard, with bobbin winder tension
bracket, complete,
consisting of Nos. 700772; 701286; 31986;
31990; 32213; 32214; 32218; 46363, complete;
69047; 98929; 101501 |
| 359 Hinge screw for Nos. 5564; 5565 | ★ 31986 Belt guard for No. 31985 |
| 363 Fastening screw for No. 41075 | ★ 31990 Baffle plate for No. 31985 |
| 364 Hinge screw for Nos. 5568; 5569 | ★ 32213 Position strap for No. 31985 |
| 366 Hinge screw for Nos. 5568; 5569 | 32214 Washer for No. 31985 |
| 737 Tension stud for No. 46363 | 32215 Position strap bracket for No. 31985 |
| 700772 Fastening screw for No. 32213 | 32218 Support for No. 31985 |
| ★ 701286 Fastening screw for Nos. 31990; 46363 | 35461 Set collar for No. 46571 |
| 701378 Fastening screw for No. 46571 | 40623 Spool pin for No. 46363 |
| 1416 Wood screw for No. 46367 | 41062 Bobbin winder spindle for No. 41075 |
| 1417 Wood screw for Nos. 31560; 46598 | 41065 Bobbin winder pulley for No. 41075 |
| 1418 Wood screw for No. 29840 | 41075 Bobbin winder, complete,
consisting of Nos. 62; 82; 359; 364; 366;
5564; 5565; 5566; 5567; 5568; 5569; 41062;
41065 |
| ★ 1435 Wood screw for No. 32215 | 46363 Bobbin winder tension bracket for No. 31985,
complete,
consisting of Nos. 737; 1533; 5005; 5125;
10107; 40623; 46364 |
| 1533 Nut for No. 737 | 46364 Bobbin winder tension bracket for No. 46363 |
| 5005 Tension disc for No. 46363 | 46366 Bobbin winder base for No. 41075 |
| 5125 Tension spring for No. 46363 | 46367 Bobbin winder, table model, complete,
consisting of Nos. 363; 41075, complete;
46366 |
| 5564 Bobbin winder frame for No. 41075 | 46566 Thread guide for No. 46598 |
| 5565 Bobbin winder frame base for No. 41075 | 46570 Spool rest for No. 46598 |
| 5566 Bobbin winder stop latch for No. 41075 | 46571 Spool rest rod for No. 46598 |
| 5567 Bobbin winder frame spring for No. 41075 | 46598 Thread unwinder, complete,
consisting of Nos. 153; 273; 701378; 26110;
26179; 29960; 35461; 46566; 46570; 46571;
46694 |
| 5568 Bobbin winder stop latch trip lever
for Nos. 5564; 5569 | 46694 Spool pin washer (foam rubber) for No. 46598 |
| 5569 Bobbin winder thumb lever for No. 41075 | 69047 Washer for No. 701286 |
| 10107 Position pin for No. 5005 | 98929 Spring washer for No. 101501 |
| 21485 Chain for No. 20273 (see page V) | 101501 Nut for No. 700772 |
| 21486 Chain for No. 22003 (see page III) | |
| 25976 Spool cap for No. 46598 (on special request) | |
| 26110 Spool pin for No. 46598 | |
| 26179 Spool disc for No. 46598 | |
| 29520 Washer for No. 29840 | |
| 29571 Catch for No. 29840 | |
| 29601 Washer for No. 1416 | |
| 29840 Catch for No. 31985, complete,
consisting of Nos. 29571; 29841 | |
| 29841 Leather for No. 29840 | |



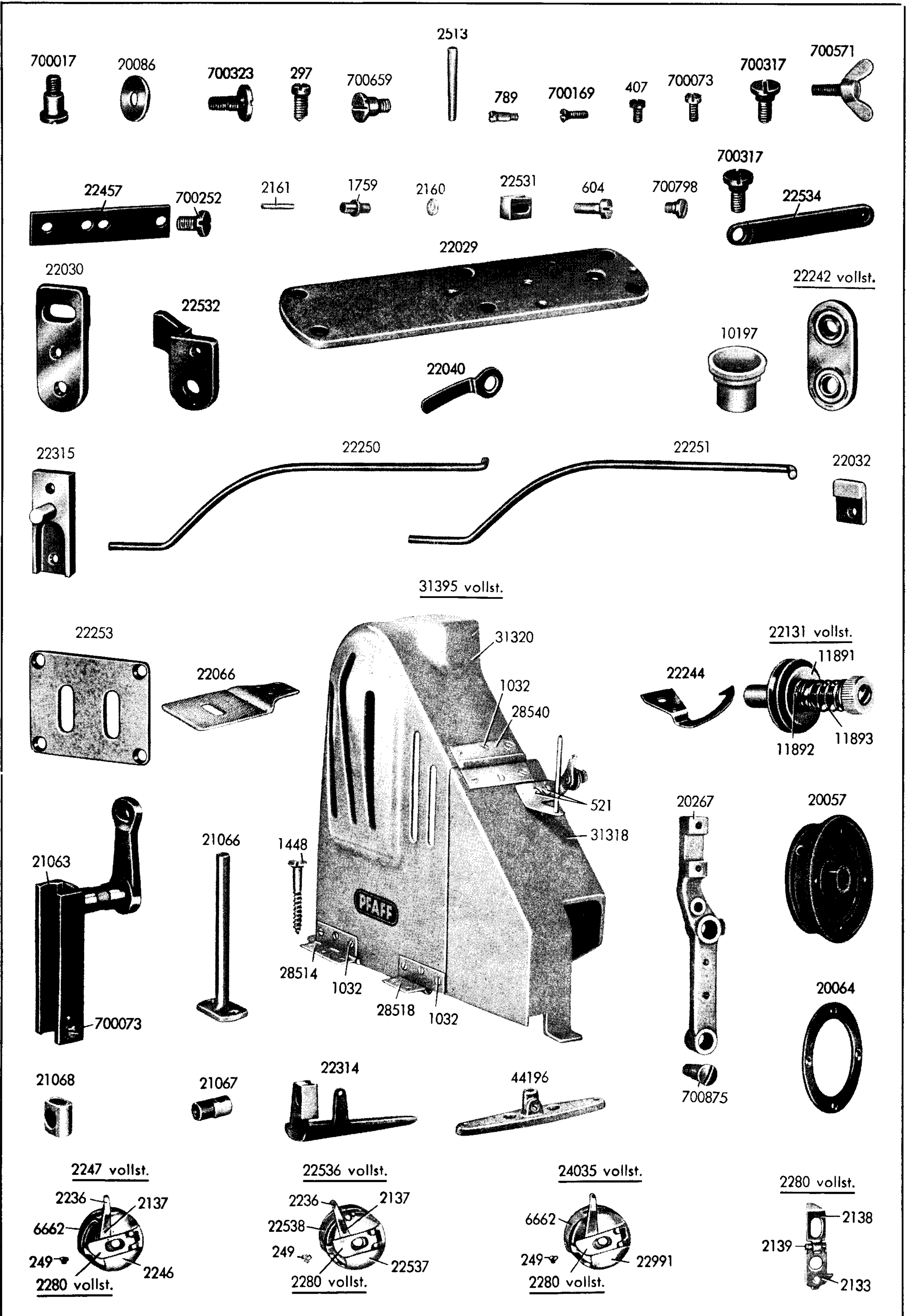
**Organizational Parts
for Power Bench Drive**



- 62** Set screw for No. 5566
82 Fastening screw for No. 5567
700150 Fastening screw for Nos. 31559; 35558
700152 Fastening screw for No. 30135
★ 153 Fastening screw for No. 46566
★ 273 Fastening screw for No. 46570
273 Fastening screw for No. 46571
359 Hinge screw for Nos. 5564; 5565
363 Fastening screw for No. 46369
364 Hinge screw for Nos. 5568; 5569
366 Hinge screw for Nos. 5568; 5569
737 Tension stud for No. 46363
700772 Fastening screw for No. 32213
★ 701286 Fastening screw for Nos. 31990; 46363
1416 Wood screw for No. 46368
1417 Wood screw for Nos. 31560; 46565
1418 Wood screw for No. 29840
★ 1435 Wood screw for No. 32215
1445 Wood screw for Nos. 31321; 31323; 31326
1533 Nut for No. 737
5005 Tension disc for No. 46363
5125 Tension spring for No. 46363
5564 Bobbin winder frame base for No. 46369
5565 Bobbin winder frame base for No. 46369
5566 Bobbin winder stop latch for No. 46369
5567 Bobbin winder frame spring for No. 46369
5568 Bobbin winder stop latch trip lever for Nos. 5564; 5569
5569 Bobbin winder thumb lever for No. 46369
10107 Position pin for No. 5005
21485 Chain for No. 20273 (see page V)
21486 Chain for No. 22003 (see page III)
25976 Spool cap for No. 46565 (on special request)
26110 Spool pin for No. 46565
26179 Spool disc for No. 46565
29520 Washer for No. 29840
29571 Catch for No. 29840
29601 Washer for No. 1416
29840 Catch for No. 31985, complete, consisting of Nos. 29571; 29841
29841 Leather for No. 29840
30135 Set collar for No. 31559
30743 Thread unwinder base for No. 46565
30836 Grease cup for No. 35558
31251 Treadle, narrow
31313 Bearing bracket for No. 31326
31314 Pulley for Nos. 31321; 31323
31321 Jockey pulley, complete, consisting of Nos. 700150; 30836; 31314; 31322; 35558
31322 Bearing bracket for No. 31321
31323 Jockey pulley, complete, consisting of Nos. 700150; 30836; 31314; 31324; 35558
31324 Bearing bracket for No. 31323
31326 Transmission pulley, complete, consisting of Nos. 700150; 30836; 31313; 31327; 35558
31327 Pulley for No. 31326
31328 Bobbin winder plastic ring for No. 41065
31331 Felt pad for Nos. 31321; 31323; 31326
31559 Chain suspension stud for No. 31560
31560 Treadle, narrow, complete, consisting of Nos. 700150; 700152; 30135; 31251; 31559
★ 31985 Belt guard, with bobbin winder tension bracket, complete, consisting of Nos. 700772; 701286; 31986; 31990; 32213; 32214; 32218; 46363, complete; 69047; 98929; 101501
★ 31986 Belt guard for No. 31985
★ 31990 Baffle plate for No. 31985
★ 32213 Position strap for No. 31985
32214 Washer for No. 31985
32215 Position strap bracket for No. 31985
32218 Support for No. 31985
35461 Set collar for No. 46571
35558 Pulley shaft for Nos. 31314; 31327
40623 Spool pin for No. 46363
41062 Bobbin winder spindle for No. 46369
41065 Bobbin winder pulley for No. 46369
46363 Bobbin winder tension bracket for No. 31985 complete, consisting of Nos. 737; 1533; 5005; 5125; 10107; 40623; 46364
46364 Bobbin winder tension bracket for No. 46363
46366 Bobbin winder base for No. 46369
46368 Bobbin winder, table model, complete, consisting of Nos. 363; 46366; 46369, complete
46369 Bobbin winder, complete, consisting of Nos. 62; 82; 359; 364; 366; 5564; 5565; 5566; 5567; 5568; 5569; 31328; 41062; 41065
46565 Thread unwinder, complete, consisting of Nos. 153; 273; 26110; 26179; 30743; 35461; 46566; 46570; 46571; 46694
46566 Thread guide for No. 46565
46570 Spool rest for No. 46565
46571 Spool rest rod for No. 46565
46694 Spool pin washer (foam rubber) for No. 46565
69047 Washer for No. 701286
98929 Spring washer for No. 101501
101501 Nut for No. 700772

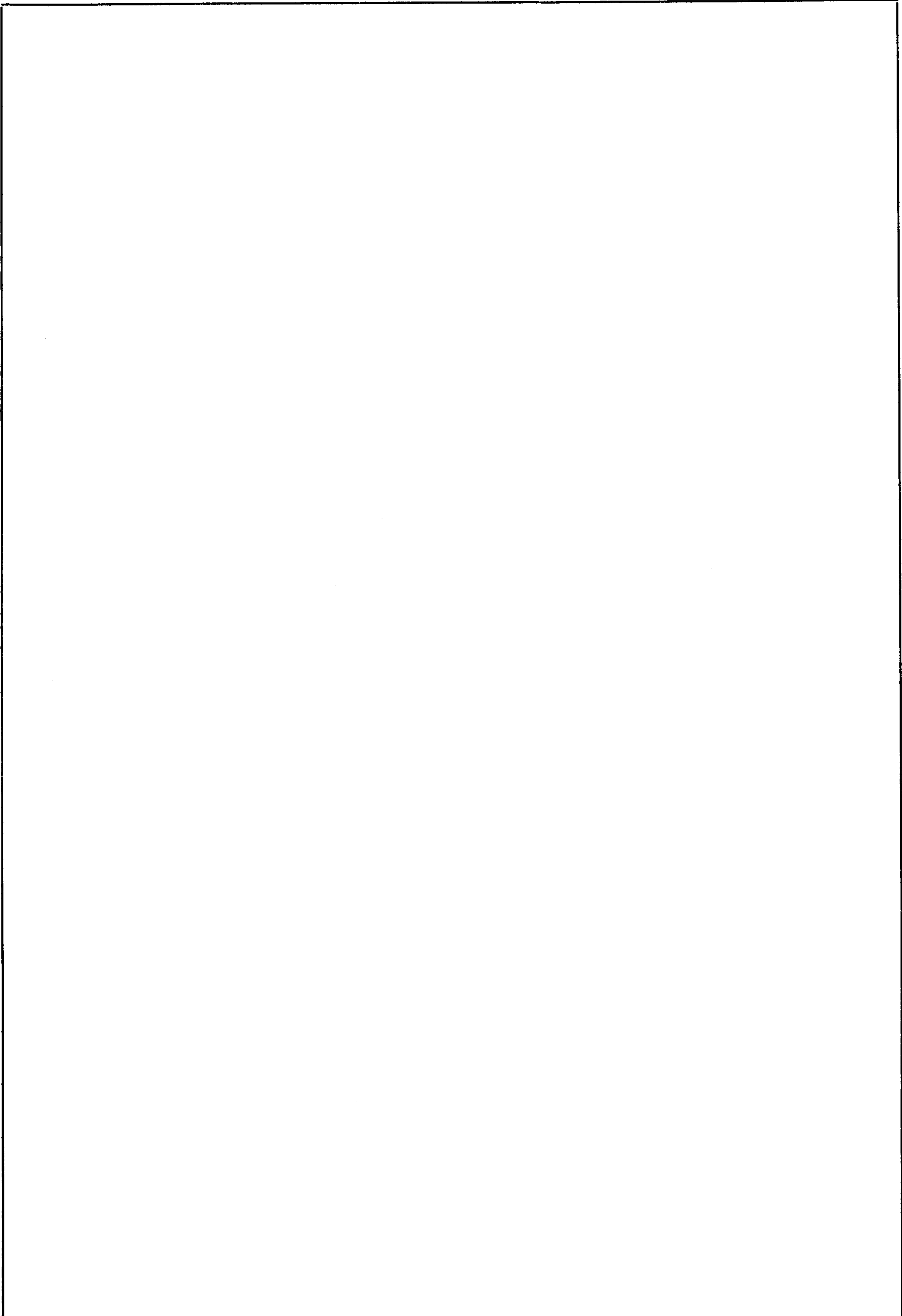


**Obsolete Parts
PFAFF 3334**



The number marked with an asterisk is no additional order number, but merely an aid to facilitate locating the obsolete part in this catalogue. Your orders should indicate the bold-type order number of the parts desired.

- (★ 100075) **700017** Hinge screw (length of collar $2\frac{1}{64}'' = 8.4$ mm) for No. 21156
- (★ 701353) **700073** Fastening screw for bearing cap of No. 21060
- 700073** Stop screw for No. 21063
- (★ 701269) **700169** Fastening screw (cone head) for No. 22508
- (★ 100086) **249** Stop screw for No. 2133
- 700252** Fastening screw for No. 22457
- (★ 273) **297** Fastening screw for No. 46570
- (★ 317) **700317** Fastening screw for Nos. 13790; 13795
- (★ 700809) **700317** Hinge screw for No. 22534
- (★ 11176) **700323** End screw for No. 20069
- (★ 153) **407** Fastening screw for No. 46566
- (★ 701286) **521** Fastening screw for No. 46363
- (★ 571) **700571** Wing screw for No. 13795
- 604** Fastening screw for No. 22531
- (★ 700654) **700659** Spring suspension screw for No. 11903
- (★ 1241) **789** Hinge screw (dia. of collar $\frac{5}{32}'' = 4$ mm) for No. 22993
- (★ 100217) **700798** Hinge screw for No. 22975
- (★ 701216) **700875** Hinge screw for No. 20267
- 1032** Fastening screw for Nos. 28514; 28518; 28540
- (★ 1435) **1448** Wood screw for No. 31395
- (★ 598) **1759** Slide block stud for No. 6569
- (★ 6848) **2133** Bobbin case latch slide for No. 2280
- 2137** Rivet for No. 2236
- (★ 6849) **2138** Bobbin case latch lever for No. 2280
- (★ 101798) **2139** Hinge pin for No. 2280
- (★ 6644) **2160** Washer for No. 2161
- (★ 589) **2161** Positioning pin for No. 1759
- 2236** Bobbin case position finger for Nos. 2247; 22536
- (★ 24424) **2246** Bobbin case for No. 2247
- (★ 24423) **2247** Bobbin case, complete (replaced by No. 24423)
- (★ 6847) **2280** Bobbin case latch for Nos. 2247; 22536; 24035; complete, consisting of Nos. 2133; 2138; 2139
- (★ 1848) **2513** Positioning pin for No. 21024 (dia. $\frac{1}{8}''$ to $\frac{11}{64}'' = 3.3-4.3$ mm)
- (★ 101824) **6531** Dowel pin for No. 22050 (not ill.)
- (★ 6892) **6662** Tension spring for Nos. 2247; 24035
- (★ 18358) **10197** Oil cup for No. 20002
- (★ 10181) **11891** Tension release washer for No. 22131
- 11892** Position pin for No. 22131
- (★ 10183) **11893** Tension spring for No. 22131
- (★ 20658) **20057** Driving pulley (with 4 tapped holes for attaching No. 20064)
- (★ 20659) **20064** Cap ring for No. 20057
- (★ 21372) **20086** Washer for No. 700323
- (★ 23019) **20267** Brake lever
- (★ 22471) **21063** Feed regulator
- (★ 22459) **21066** Feed regulator post for No. 22064
- (★ 22466) **21067** Hinge stud for No. 21066
- (★ 22465) **21068** Feed regulator swivel for No. 21067
- (★ 22333) **22029** Top cover
- (★ 22513) **22030** Bracket, for normal lift, for Nos. 22242; 22532
- (★ 22514) **22032** Tension release bracket for normal lift, for No. 22037
- (★ 700659) **22040** Stop for No. 22017 (replaced by Nos. 700659; 701515; 29601)
- (★ 24010) **22066** Feed plate (Cutout size $1\frac{5}{64}'' \frac{9}{16}'' = 6 \times 14$ mm)
- (★ 20363) **22131** Thread tension, complete (replaced by No. 20363 complete)
- (★ 22512) **22242** Ball joint connection (for normal lift), complete, consisting of
No. 20346 Ball joint
No. 22243 Connection rod
- 22244** Thread holder for Nos. 22109; 22114
- (★ 22510) **22250** Pressure spring, for normal lift, for No. 22255
- (★ 22509) **22251** Pressure spring, for normal lift, for No. 22254
- (★ 22508) **22253** Work clamp face plate, for normal lift, for No. 22245
- (★ 22860) **22314** Clamp foot lifting lever (replaced by Nos. 700717 (1 x); 22860; 22861)
- (★ 22570) **22315** Work clamp foot bracket, for normal lift, for No. 22245
- 22457** Lifting lever extension for No. 22003
- (★ 22530) **22531** Catch for No. 22530
- (★ 22680) **22532** Lifting lever stop, for normal lift, for No. 22003
- (★ 22772) **22534** Connection for No. 22530 (replaced by Nos. 700809; 22772)
- (★ 24423) **22536** Bobbin case, complete (replaced by No. 24423)
- (★ 24424) **22537** Bobbin case for No. 22536
- (★ 6892) **22538** Tension spring for No. 22536
- (★ 24424) **22991** Bobbin case for No. 24035
- (★ 24423) **24035** Bobbin case, complete (replaced by No. 24423)
- (★ 32213) **28514** Hinge for No. 31320
- (★ 32213) **28518** Hinge for No. 31320
- 28540** Hinge for Nos. 31318; 31320
- (★ 31990) **31318** Belt guard section for No. 31395
- (★ 31986) **31320** Belt guard section for No. 31395
- (★ 31985) **31395** Belt guard, with bobbin winder tension bracket, complete (replaced by No. 31985)
- (★ 29960) **44196** Thread unwinder base



Numerical Index

3334 1	3334 2	3334 3	3334 4	3334 5	3334 6
Nr. Fig.	Nr. Fig.	Nr. Fig.	Nr. Fig.	Nr. Fig.	Nr. Fig.
11 II	700152 III	700297 III	510 I	737 VII	701154 III
700017 III	700152 V	700297 IV	512 IV	700772 IV	701195 I
+ 700017 VIII	700152 VI	700297 V	+ 521 VIII	700772 VI	701199 III
29 II	700152 VII	317 V	700545 III	700772 VII	701216 III
56 II	153 II	+ 700317 VIII	571 V	700785 V	1241 I
58 II	153 III	700321 II	+ 700571 VIII	+ 789 VIII	701269 IV
700058 I	153 VI	700323 III	589 V	700798 I	701286 VI
700058 III	153 VII	+ 700323 VIII	700592 III	+ 700798 VIII	701286 VII
62 VI	700153 I	700336 I	598 V	700799 IV	1317 I
62 VII	+ 700169 VIII	700336 IV	+ 604 VIII	700809 II	701344 IV
64 I	700172 IV	340 IV	624 I	700809 III	701353 IV
700070 V	700173 I	700352 III	700654 III	700809 V	701378 VI
73 I	700173 IV	359 VI	700655 III	700865 II	1416 VI
700073 I	700173 V	359 VII	700659 III	+ 700875 VIII	1416 VII
700073 V	219 I	363 VI	700659 IV	905 I	1417 VI
+ 700073 VIII	700230 III	363 VII	+ 700659 VIII	700926 III	1417 VII
82 VI	700243 II	364 VI	700660 III	700926 IV	1418 VI
82 VII	+ 249 VIII	364 VII	700680 II	700964 III	1418 VII
700082 II	250 V	700364 II	700681 I	700965 III	1435 VI
700083 IV	700252 II	700364 III	700681 V	700983 I	1435 VII
87 II	700252 IV	366 VI	700686 III	700987 V	1445 VII
94 I	+ 700252 VIII	366 VII	687 V	700988 V	+ 1448 VIII
700150 I	273 VI	367 II	700689 II	700990 III	701508 IV
700150 II	273 VII	392 I	700689 IV	700991 V	701511 III
700150 III	700277 II	405 II	700689 V	700996 V	1512 II
700150 V	700288 I	+ 407 VIII	717 III	701000 III	1512 V
700150 VI	700288 IV	431 V	700717 I	701029 IV	1513 II
700150 VII	700293 IV	437 I	729 I	+ 1032 VIII	701513 IV
700152 I	+ 297 VIII	456 II	737 VI	701041 IV	701515 II

+ = Obsolete Parts

Numerical Index

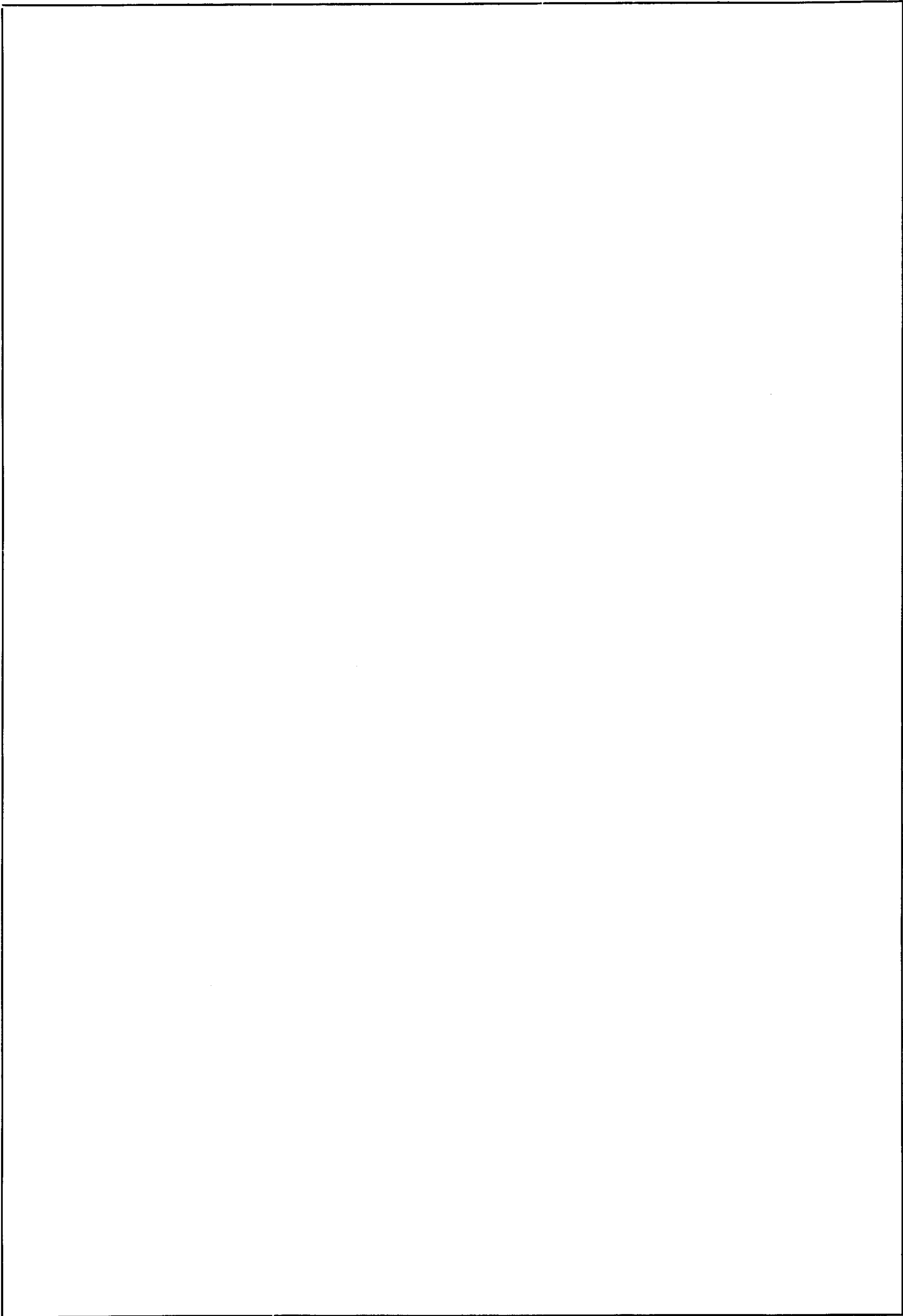
3334 7	3334 8	3334 9	3334 10	3334 11	3334 12
Nr. Fig.	Nr. Fig.	Nr. Fig.	Nr. Fig.	Nr. Fig.	Nr. Fig.
701515 III	+ 2138 VIII	5565 VII	6848 V	+ 11892 VIII	20271 III
701515 IV	+ 2139 VIII	5566 VI	6849 V	+ 11893 VIII	20272 II
1522 I	2160 III	5566 VII	6892 V	11903 III	20273 V
1529 V	+ 2160 VIII	5567 VI	7014 I	13790 V	20275 II
1533 VI	2161 III	5567 VII	7015 I	13791 V	20276 II
1533 VII	+ 2161 VIII	5568 VI	7016 I	13793 V	20335 III
1547 II	2170 III	5568 VII	7016 4	13795 V	20338 I
701563 V	+ 2236 VIII	5569 VI	7328 III	16328 III	20349 III
701578 IV	+ 2246 VIII	5569 VII	7329 II	17584 III	20353 III
701628 I	+ 2247 VIII	6219 I	7329 III	18358 II	20361 I
701635 II	2264 III	6523 I	7705 I	18502 V	20363 I
1636 I	+ 2280 VIII	6525 I	7718 I	20002 II	20386 III
701633 II	2513 II	6526 I	8020 I	20030 III	20387 III
701658 III	+ 2513 VIII	+ 6531 VIII	8021 I	+ 20057 VIII	20396 III
701662 III	2531 I	6560 V	8618 I	20061 II	20399 II
1759 III	2536 I	6568 V	8648 I	20062 II	20467 III
+ 1759 VIII	2536 III	6569 V	8814 V	20063 II	20481 III
1848 II	3005 I	6570 V	9149 V	+ 20064 VIII	20565 I
1849 III	4353 V	6571 V	9624 III	20065 III	20658 II
1864 III	4531 I	6601 V	10104 I	20066 III	20659 II
2030 V	5005 VI	6611 I	10107 VI	20067 III	21023 II
2044 II	5005 VII	6615 V	10107 VII	20069 III	21024 II
2044 V	5125 VI	6616 I	10181 I	20085 III	21030 II
2056 II	5125 VII	6632 I	10183 I	20086 III	21032 II
2061 I	5544 I	6640 I	+ 10197 VIII	+ 20086 VIII	21060 IV
2065 I	5548 IV	6644 V	11126 III	20205 II	+ 21063 VIII
+ 2133 VIII	5564 VI	+ 6662 VIII	11126 V	20265 III	21064 IV
2134 V	5564 VII	6764 V	11176 III	+ 20267 VIII	21065 IV
+ 2137 VIII	5565 VI	6847 V	+ 11891 VIII	20269 III	+ 21066 VIII

Numerical Index

3334 13	3334 14	3334 15	3334 16	3334 17	3334 18
Nr. Fig.	Nr. Fig.	Nr. Fig.	Nr. Fig.	Nr. Fig.	Nr. Fig.
+ 21067 VIII	22004 III	22097 IV	22246 IV	22394 IV	22530 III
+ 21068 VIII	22009 II	22099 IV	+ 22250 VIII	22398 I	+ 22531 VIII
21070 IV	22016 II	22102 IV	+ 22251 VIII	22402 II	+ 22532 VIII
21071 IV	22017 IV	22104 I	22252 IV	22403 IV	22533 III
21072 IV	22020 V	22109 4	+ 22253 VIII	722451 I	+ 22534 VIII
21083 III	22021 V	22109 IV	22254 IV	722451 4	+ 22536 VIII
21093 III	22024 V	22110 IV	22255 IV	22452 IV	+ 22537 VIII
21094 III	22025 V	22111 4	22286 I	22453 IV	+ 22538 VIII
21095 III	+ 22029 VIII	22111 IV	22312 II	22454 II	22539 4
21097 III	+ 22030 VIII	22112 IV	22312 4	22455 I	22541 4
21111 II	+ 22032 VIII	22113 IV	22313 I	22456 I	22542 4
21134 V	22037 I	22114 4	22313 4	+ 22457 VIII	22565 V
21154 IV	+ 22040 VIII	22114 IV	+ 22314 VIII	22458 III	22566 V
21156 IV	22042 II	22115 I	+ 22315 VIII	22459 IV	722567 4
21164 II	22050 IV	22116 V	22325 I	22465 IV	22568 I
21195 II	22052 V	22122 I	22328 II	22466 IV	22570 IV
21196 III	22056 V	22122 4	22329 II	22467 IV	22672 I
21197 V	22058 V	22128 I	22330 II	22468 IV	22680 III
21198 V	22059 II	22129 V	22331 II	22469 IV	22772 III
21202 V	22061 V	+ 22131 VIII	22332 II	22471 IV	22773 III
21208 II	22063 V	22162 V	22333 II	22475 IV	22775 I
21372 III	22064 IV	22171 III	22334 II	22477 IV	22776 4
21485 VI	+ 22066 VIII	22228 II	22335 II	22506 II	22860 I
21485 VII	22088 V	22238 III	22388 I	22508 IV	22861 I
21486 VI	22089 V	22240 III	22389 IV	22509 IV	22974 V
21486 VII	22091 V	22241 V	22390 IV	22510 IV	22975 I
22000 II	22092 V	+ 22242 VIII	22391 IV	22512 III	+ 22991 VIII
22001 II	22093 IV	+ 22244 VIII	22392 IV	22513 III	22993 I
22003 III	22096 IV	22245 IV	22392 V	22514 I	23019 III

Numerical Index

3334 19	3334 20	3334 21	3334 22	3334 23	3334 24
Nr. Fig.	Nr. Fig.	Nr. Fig.	Nr. Fig.	Nr. Fig.	Nr. Fig.
24010 4	+ 28514 VIII	+ 31318 VIII	35461 VI	46566 VII	101501 VII
24010 IV	+ 28518 VIII	+ 31320 VIII	35461 VII	46570 VI	101798 V
24012 III	+ 28540 VIII	31321 VII	35558 VII	46570 VII	105447 I
+ 24035 VIII	29520 VI	31322 VII	36153 I	46571 VI	
24048 V	29520 VII	31323 VII	36154 I	46571 VII	
24050 IV	29571 VI	31324 VII	36155 I	46598 VI	
24191 IV	29571 VII	31326 VII	36156 I	46694 VI	
24254 V	29601 IV	31327 VII	36157 I	46694 VII	
24423 V	29601 VI	31328 VII	36158 I	53591 I	
24424 V	29601 VII	31331 VII	40623 VI	53592 I	
24523 III	29683 I	+ 31395 VIII	40623 VII	53593 I	
24926 4	29684 I	31559 VI	41062 VI	53594 I	
24927 4	29685 I	31559 VII	41062 VII	53595 I	
24928 4	29686 I	31560 VI	41065 VI	53596 I	
24929 4	29840 VI	31560 VII	41065 VII	53597 I	
25165 II	29840 VII	31985 VI	41075 VI	53599 I	
25694 III	29841 VI	31985 VII	+ 44196 VIII	63048 I	
25976 VI	29841 VII	31986 VI	45039 IV	63049 I	
25976 VII	29960 VI	31986 VII	46363 VI	65543 4	
25998 III	30135 VI	31990 VI	46363 VII	65546 4	
26110 VI	30135 VII	31990 VII	46364 VI	69047 VI	
26110 VII	30240 III	32213 VI	46364 VII	69047 VII	
26179 VI	30313 III	32213 VII	46366 VI	98264 III	
26179 VII	30743 VII	32214 VI	46366 VII	98929 VI	
28007 III	30836 VII	32214 VII	46367 VI	98929 VII	
28007 IV	31251 VI	32215 VI	46368 VII	100075 IV	
28043 IV	31251 VII	32215 VII	46369 VII	100086 V	
28043 V	31313 VII	32218 VI	46565 VII	100217 I	
28200 III	31314 VII	32218 VII	46566 VI	101501 VI	

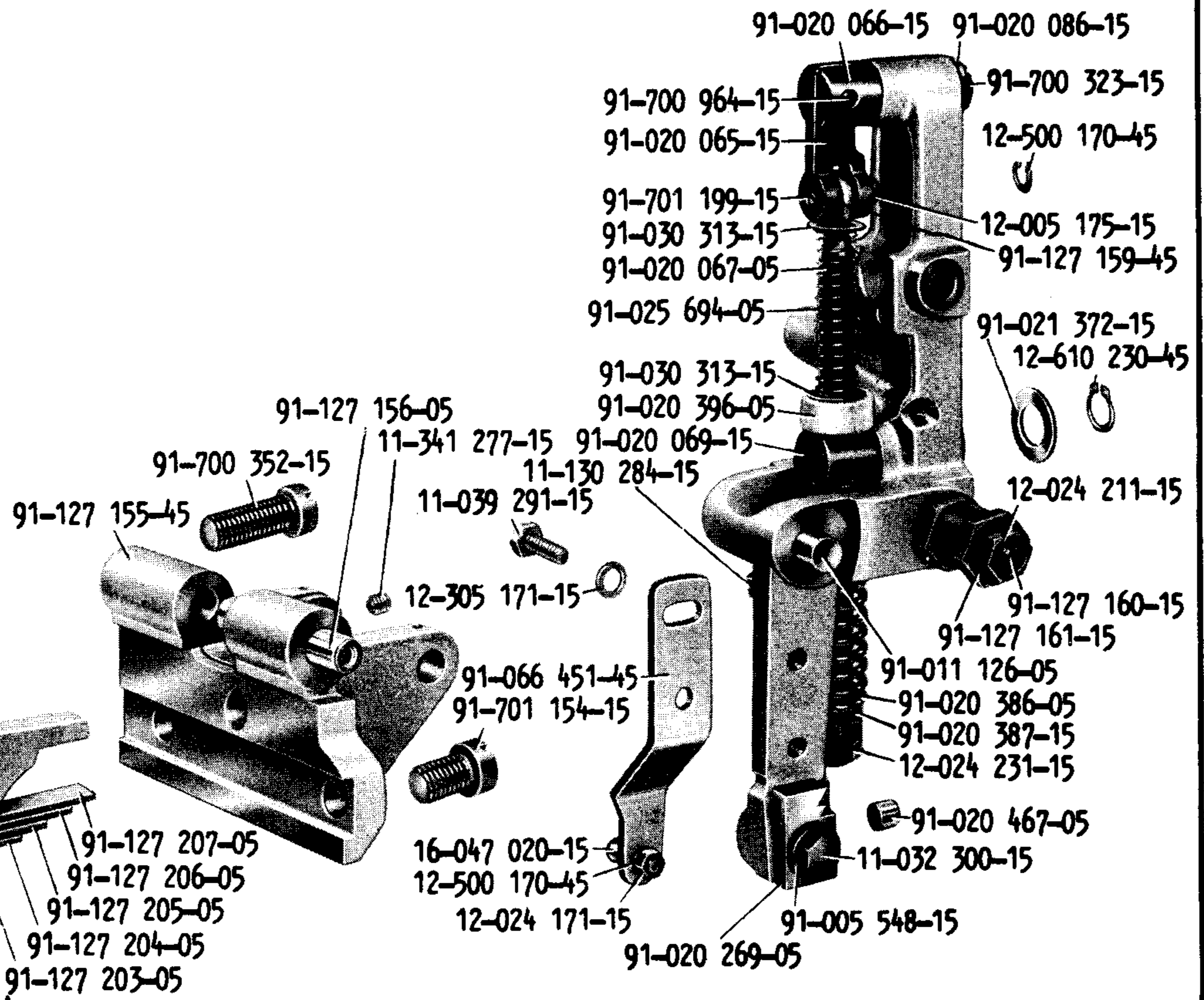
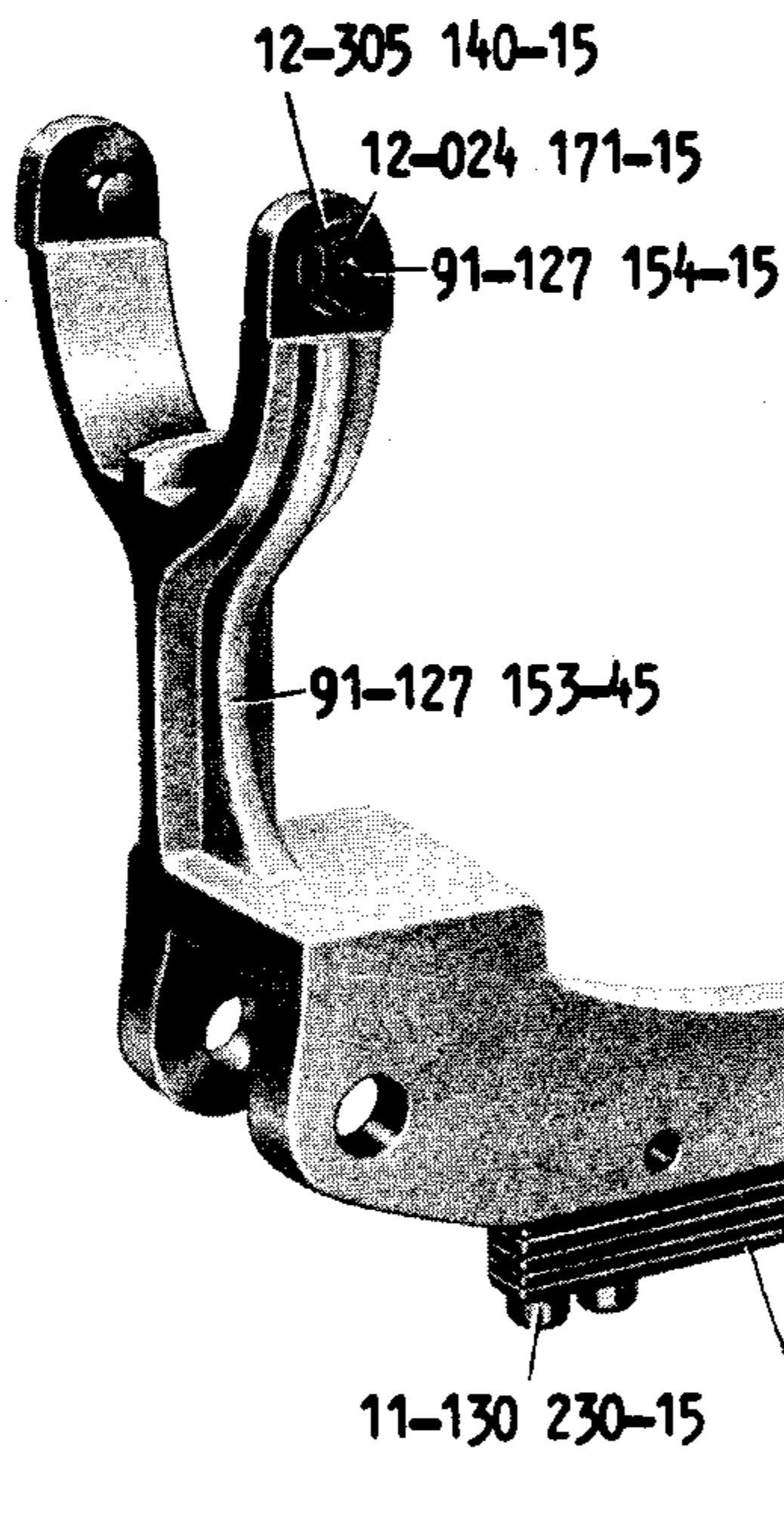
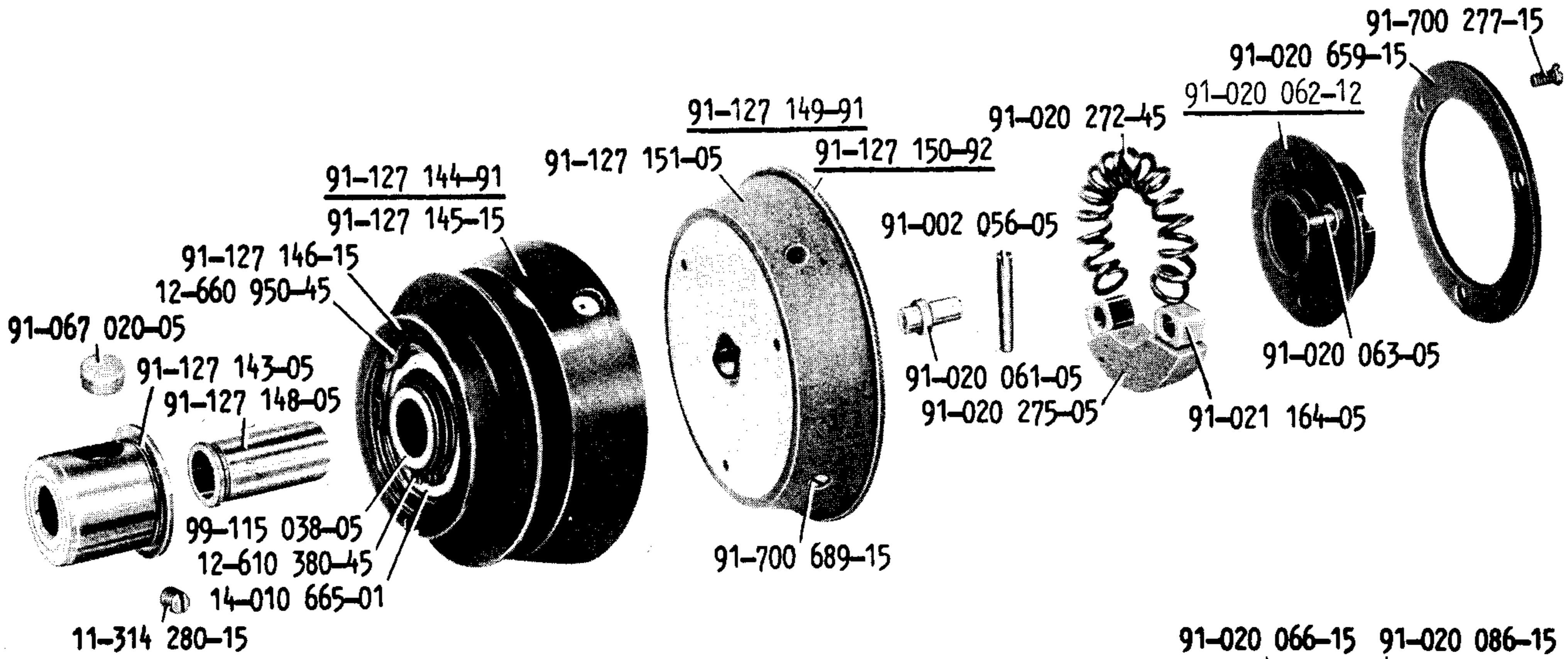




-958/01

zur Pfaff

3300; 3304; 3334; 3335-0



16-414 143-55 (3334;3335-0)
16-414 142-55 (3125;3114-0;3300;3304)

