

Parts List and Sewing Equipment

整侵墒才儉伴喷仵德

267

DÜRKOPP ADLER

裂却函(h)

咸俣喃す恣倭墜嫩晏(剑KM⊙ 垲俦侗儗
地徕剑KM⊙L 埽哥勵啦勃1201傑 够嬷刁勾v 200135

劍坐log
17

Edition: 12/2007	Revision index 02.0	Printed in China 地徕叻裂	Part.-No.: 0791 267801 KA
----------------------------	-------------------------------	-----------------------	-------------------------------------

267

Table of contents	Table / 図文	垣勸
Arm shaft	1	劍嫫
Upper feed, feed- and needle bar	2	劍 冂 培(c)mA 冂 培塘娣嘲劈
Presser bar	3	峙伶
Needle feed shaft	4	娣嘲劈嫫
Feed regulator	5	娣藝么儻偿侏
Sewing foot lift system	6	尤峙儻偿侏
Arm cover and pretension	7	亥凄乔侏儻徐埜套傳儻
Thread tension bearer	8, 9	傳埜咆
Bobbin winder	10	啞埜咆
Arm and face cover	11	亥凄儻變ゐ
Bed plate	12	呖噉
Slide	13	劓噉
Hook and hook bearing	14	匏岷塘匏岷 り 卧傢
Belt pulley	15	轟cd勤
Lower shaft	16	mA嫫
Lifter shaft, feed crank	17	尤ns塘 冂 培亥侏
Stand, maintenance unit	18	亥d△△噉
Sewing lamp and transformer	19	伴喷世儻 ン 峙咆
Motor package	20	勺μWキ
Accessories	21, 22	噶侵弛
Sewing equipments		伴喷仵德

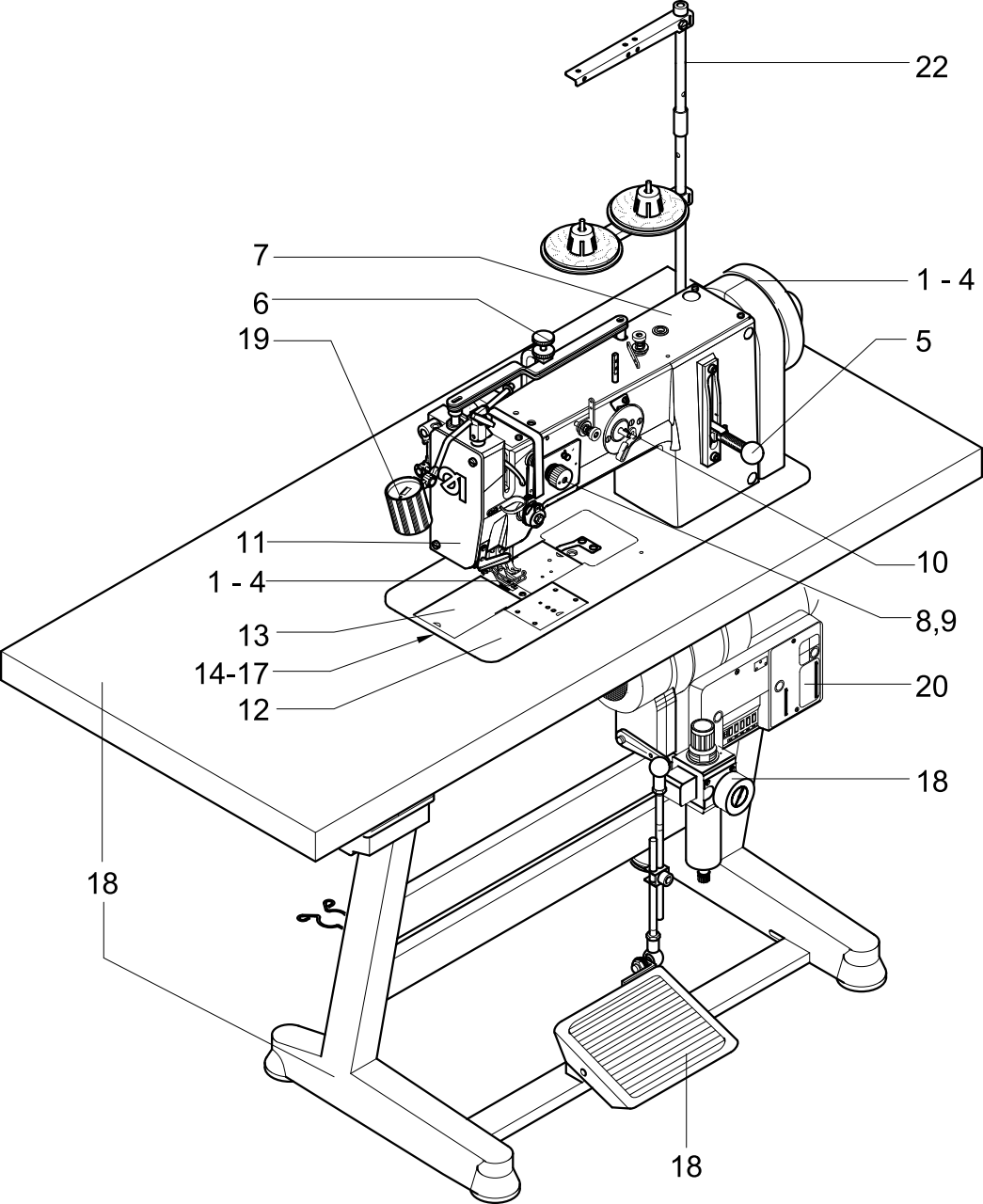
All rights reserved.

Property of Dürkopp Adler and copyrighted. Reproduction or publication of the content in any manner, even in extracts, without prior written permission of Dürkopp Adler, is prohibited.

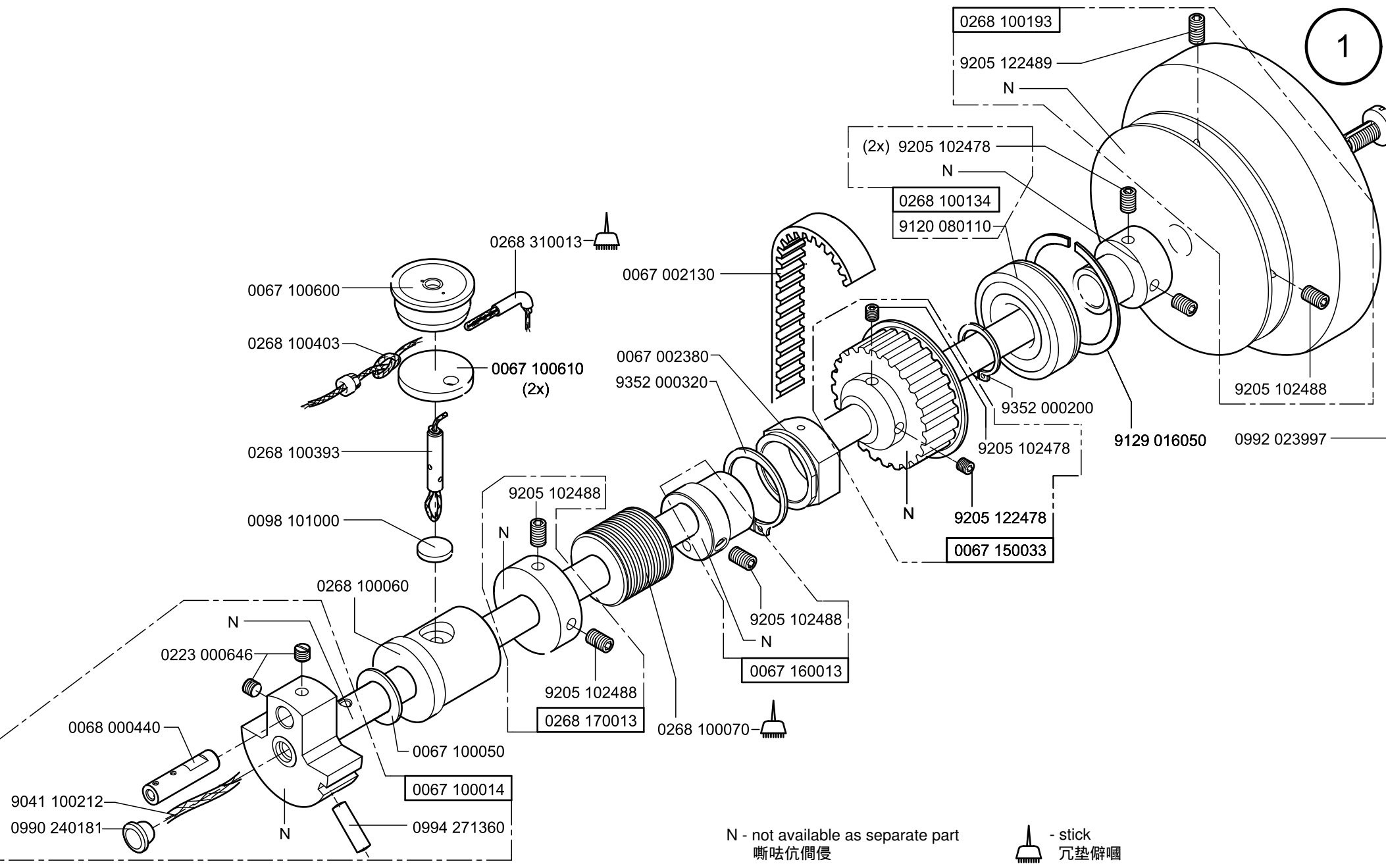
噉嘶儻夥e ㄷ 喝人壺

噉嘶儻夥e 嘶儻藝淨吟す 儻夥埜俱嘯儻夥 圳兌藝淨吟す 儻夥埜俱嘯儻夥準e 儻娣塙啞依今噶人壺偷伟壺不厭
 垠 (e) 噻幸咐挡(d)

Copyright © Dürkopp Adler - 2007

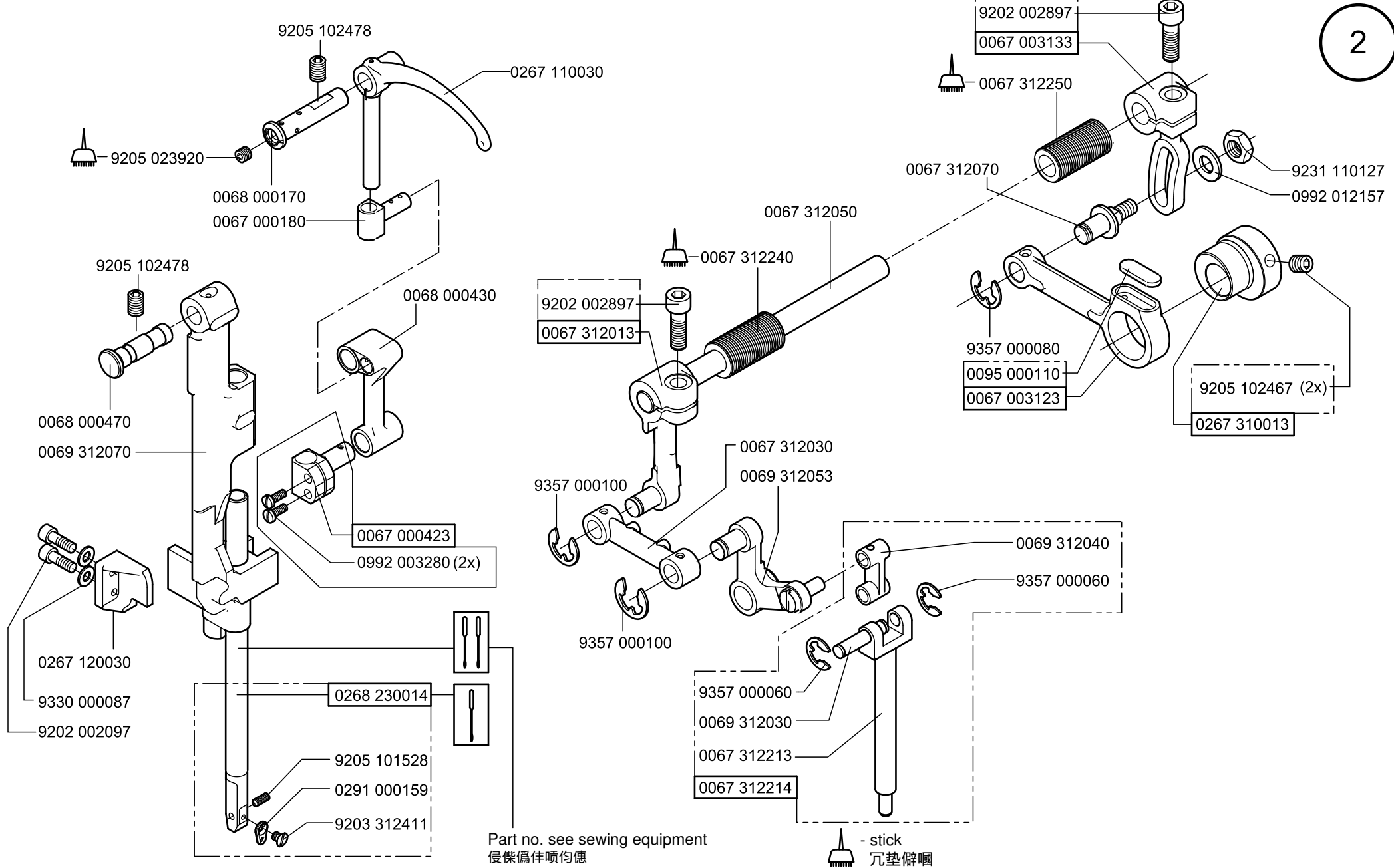


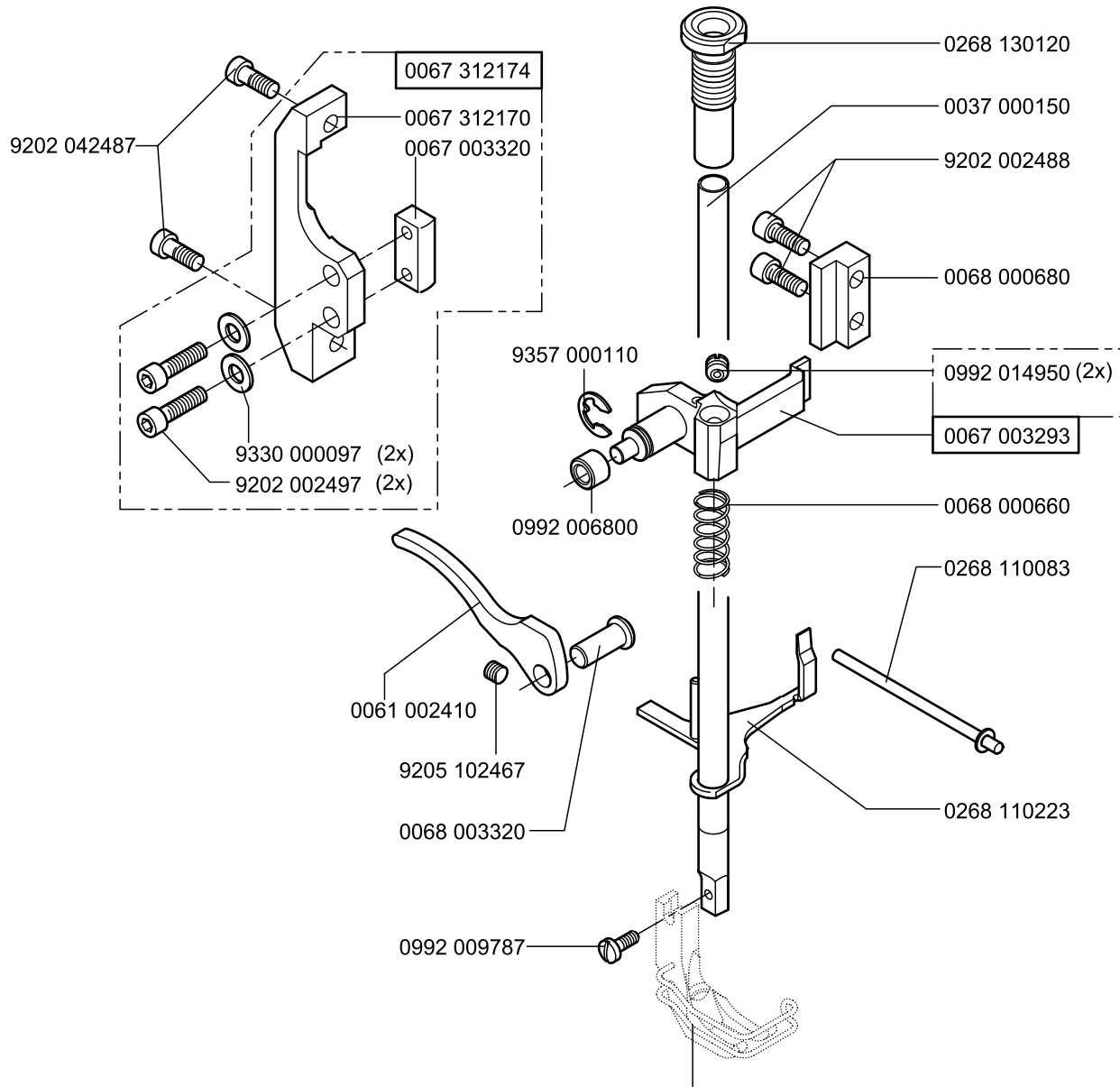
1



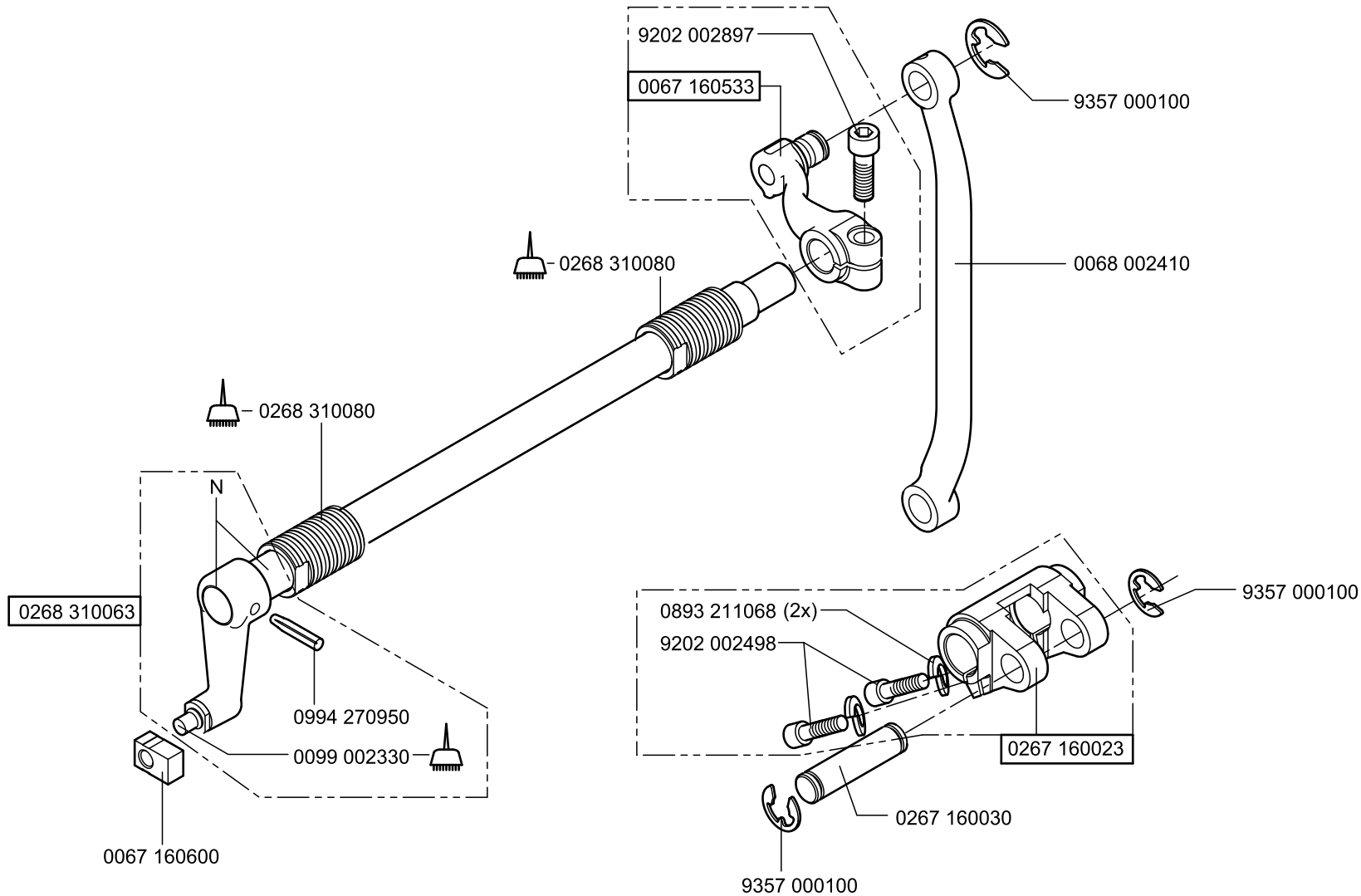
N - not available as separate part
 嘸咗佢個優

- stick
 冗墊僻囉



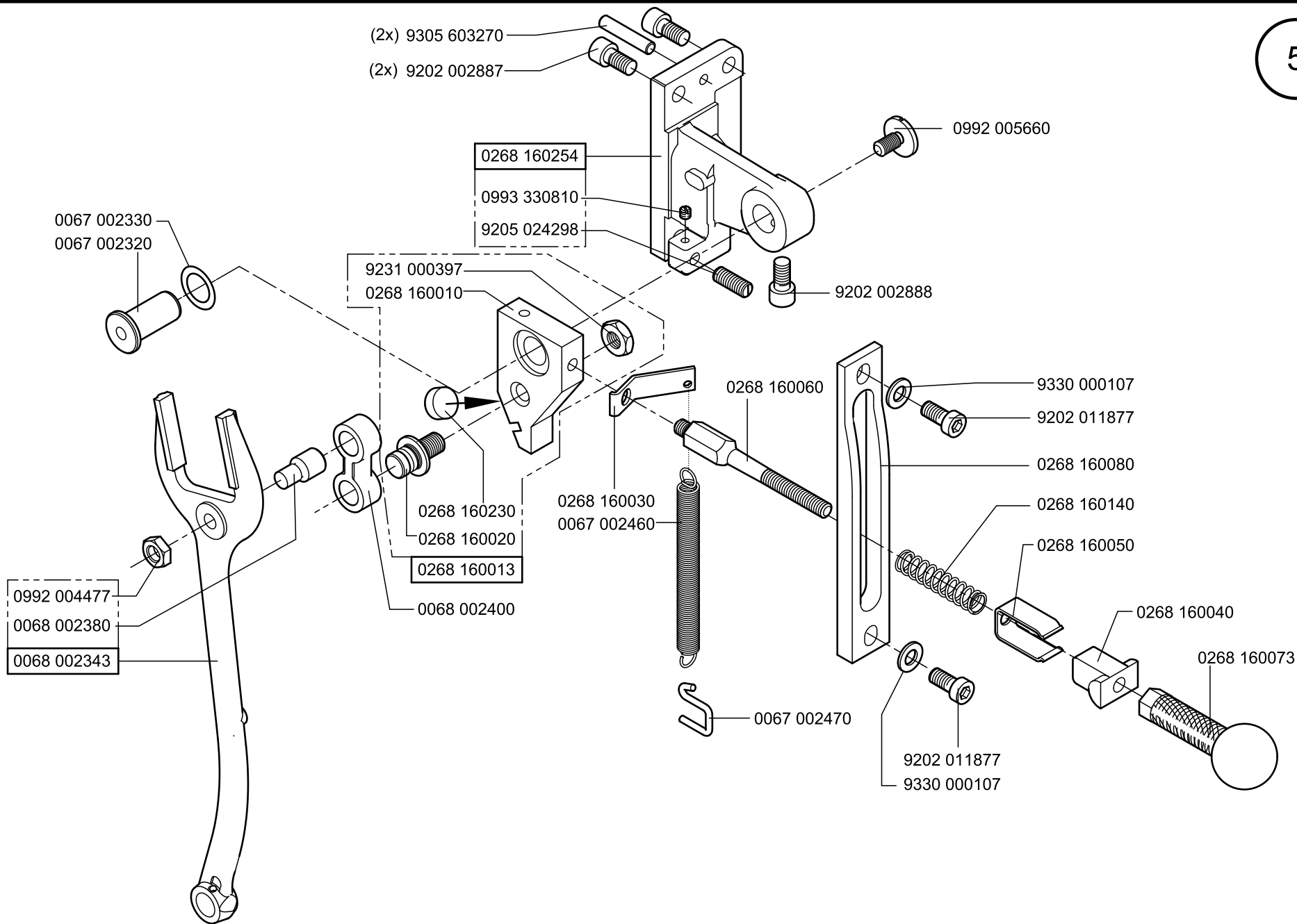


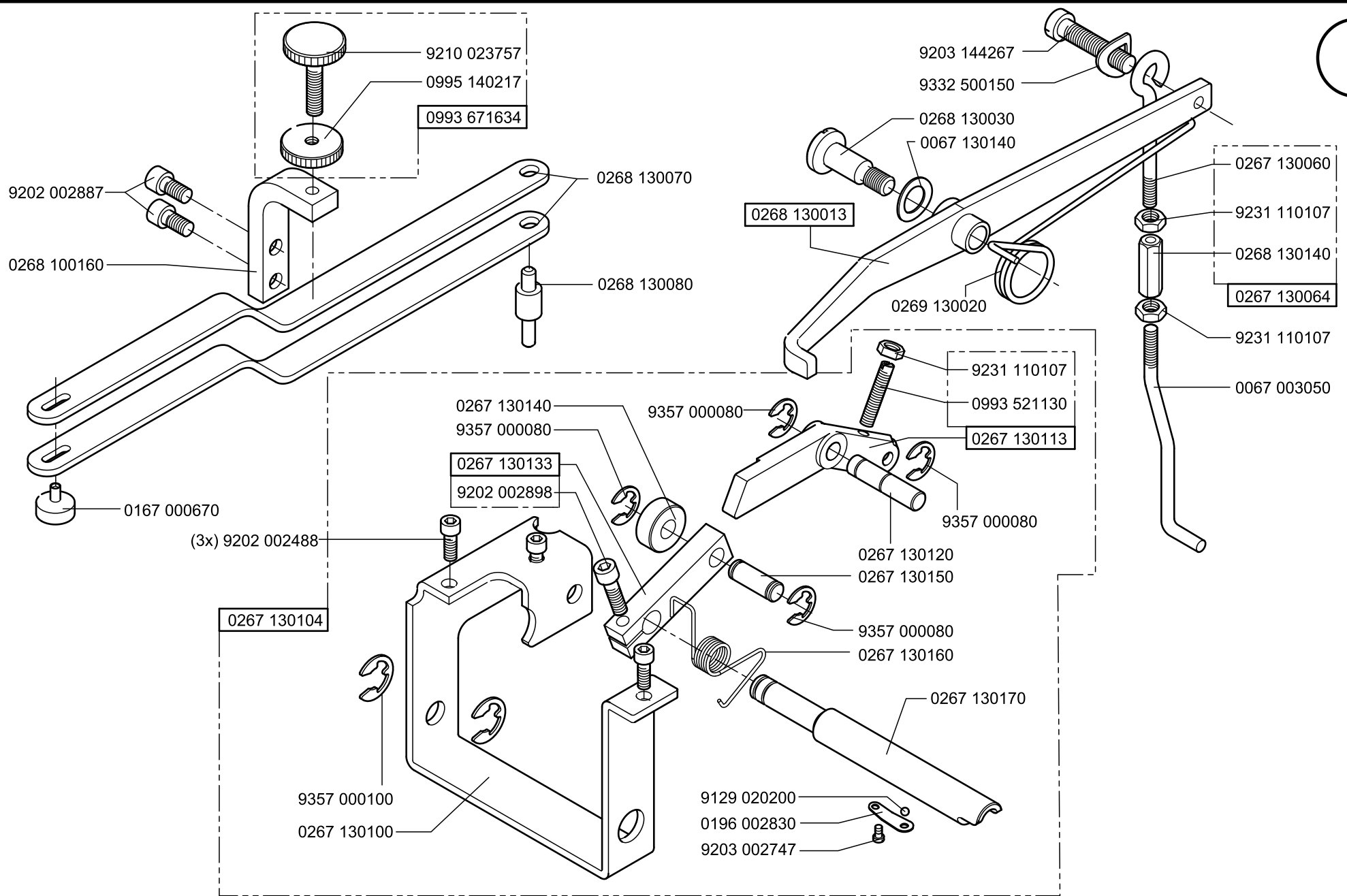
Part no. see sewing equipment
 侵僂僂佯啖佻僂

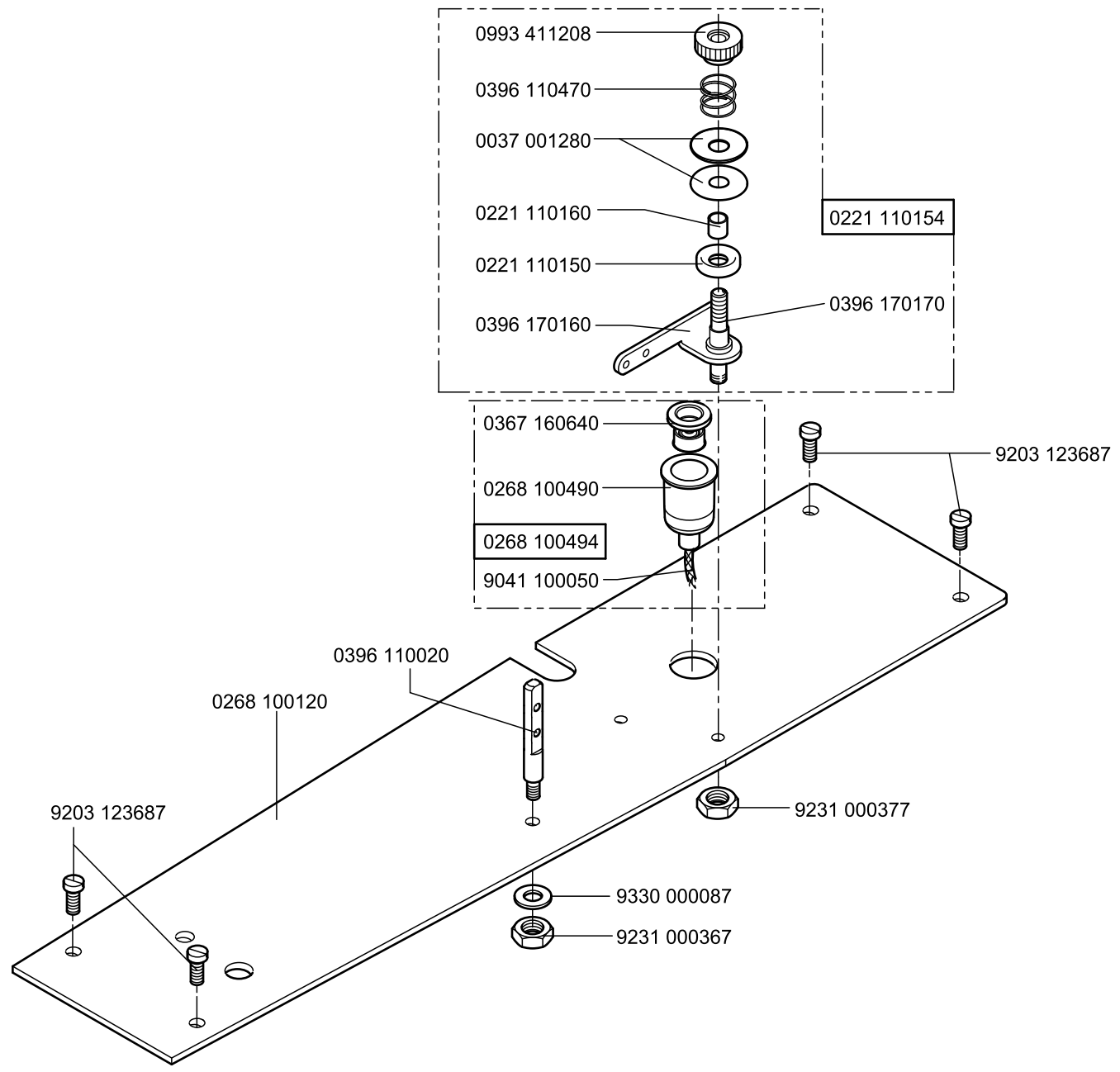


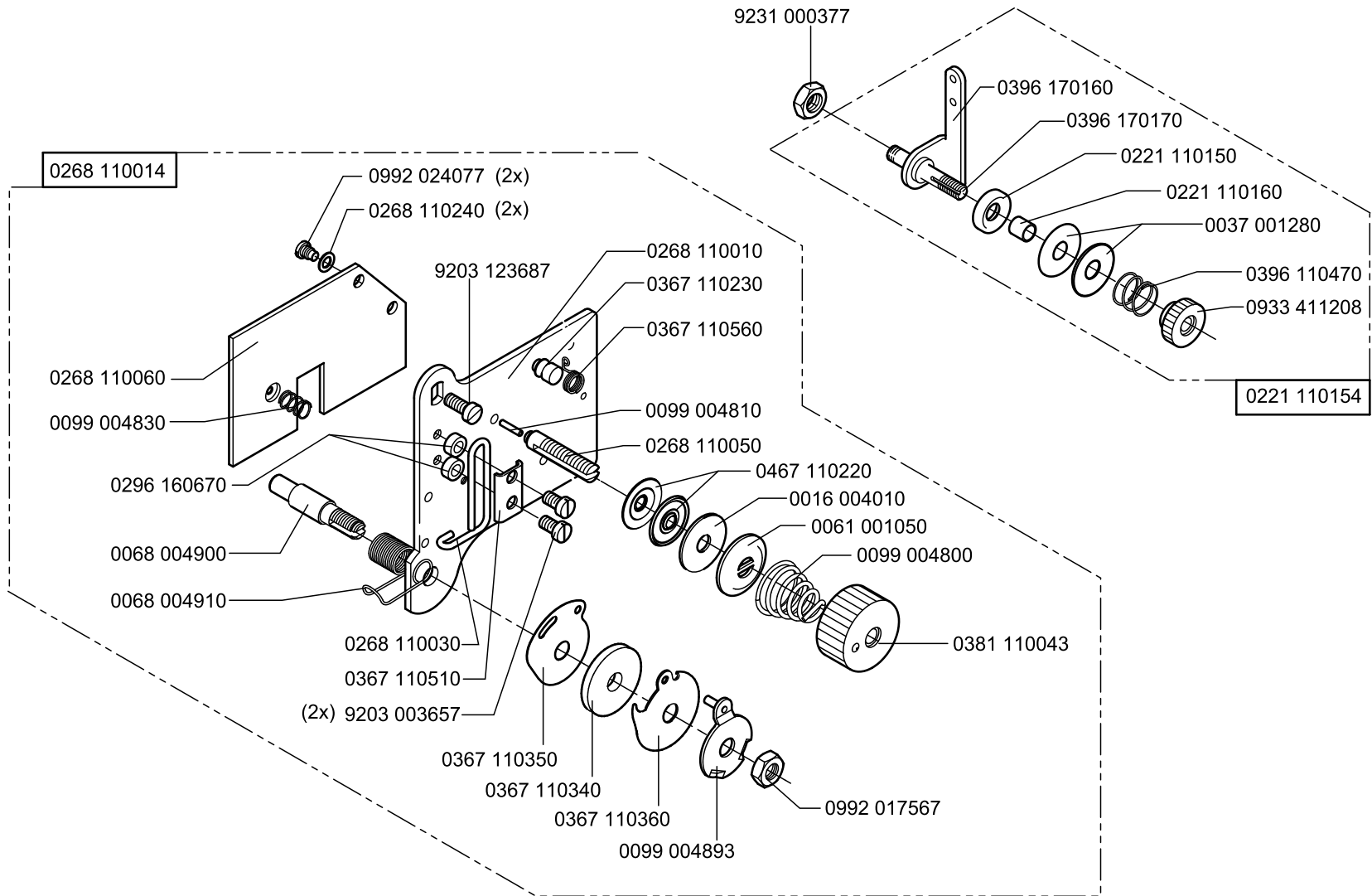
N - not available as separate part
 嘸咗佢個優

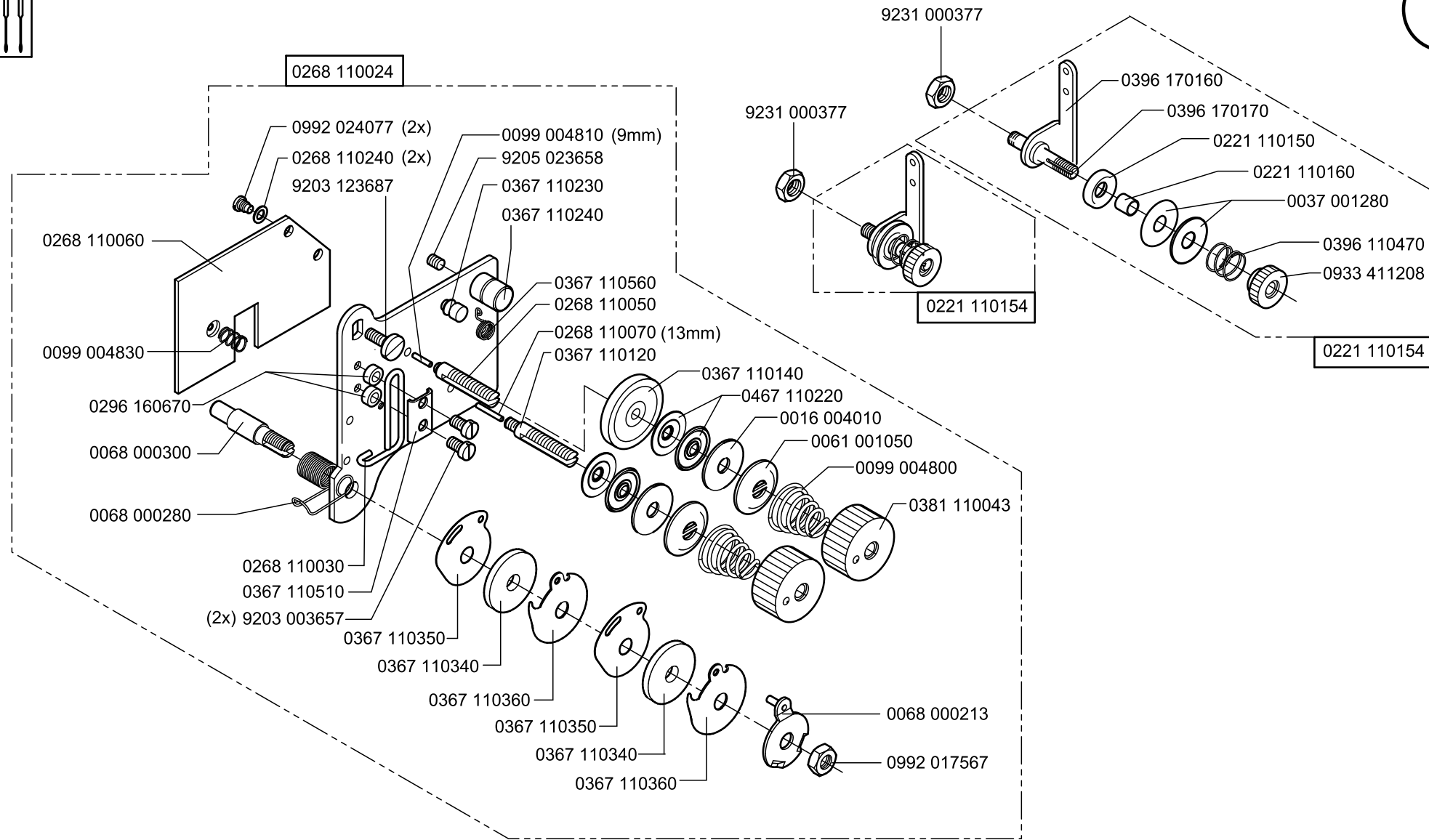
- stick
 冗墊僻囑

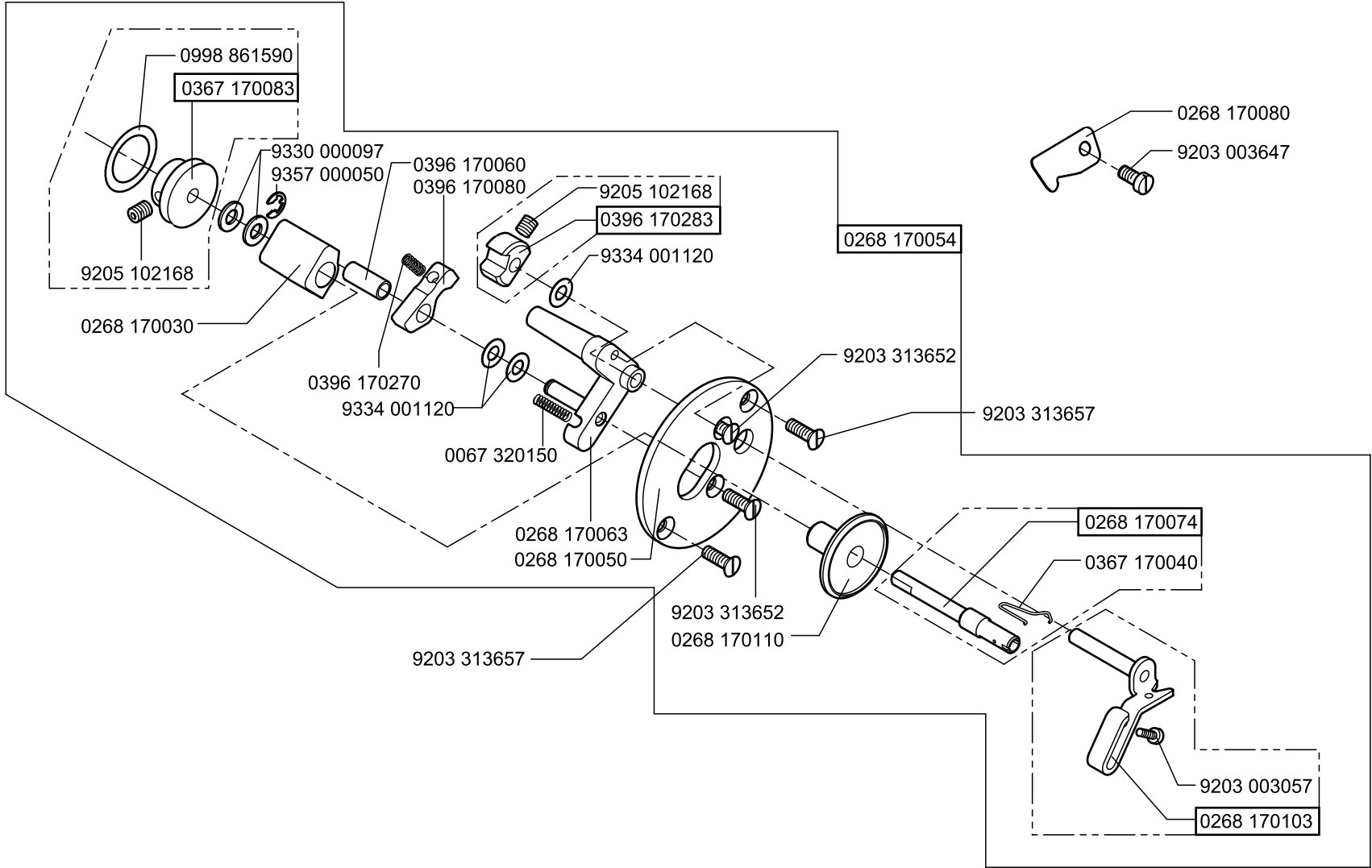


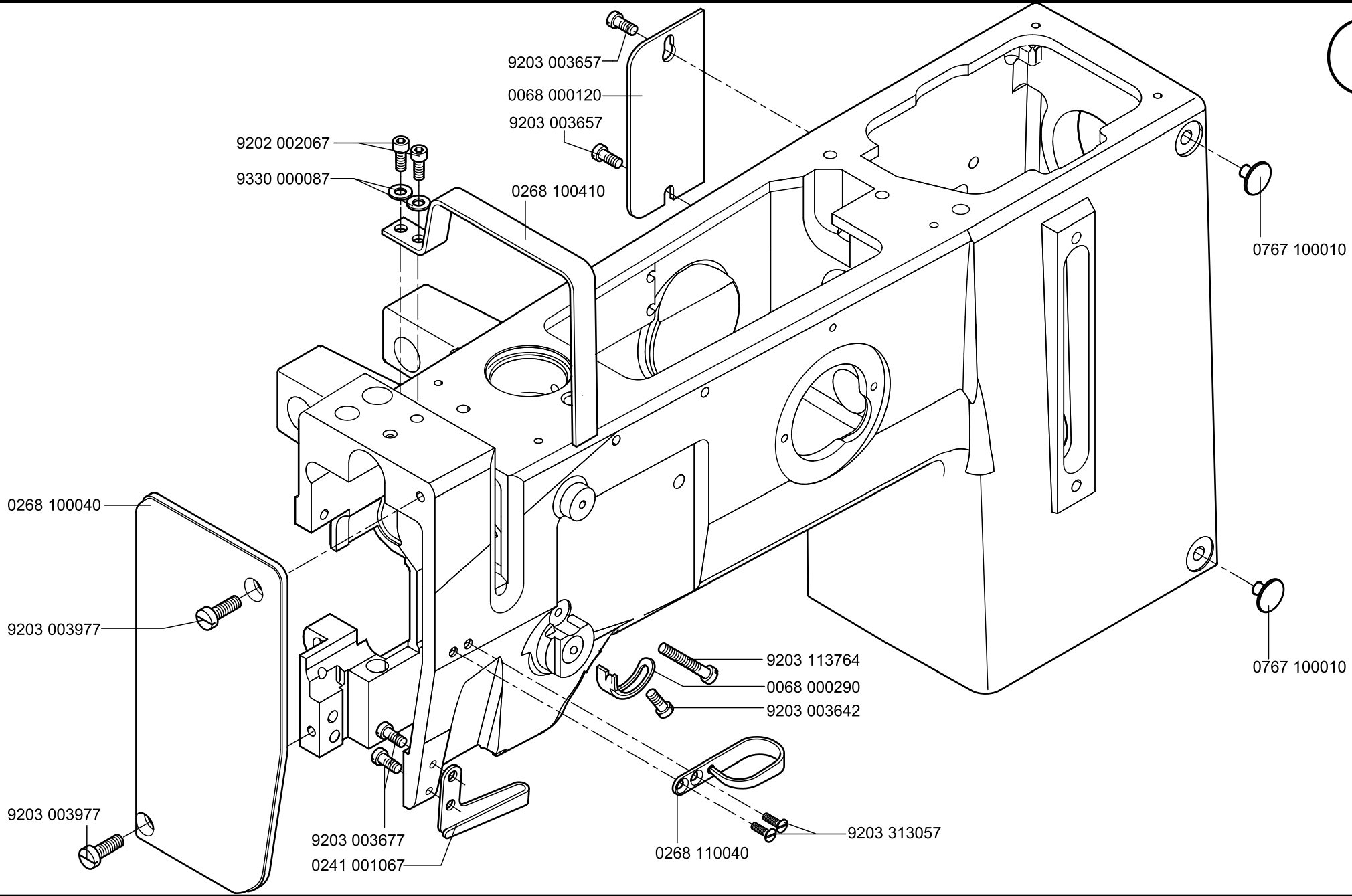


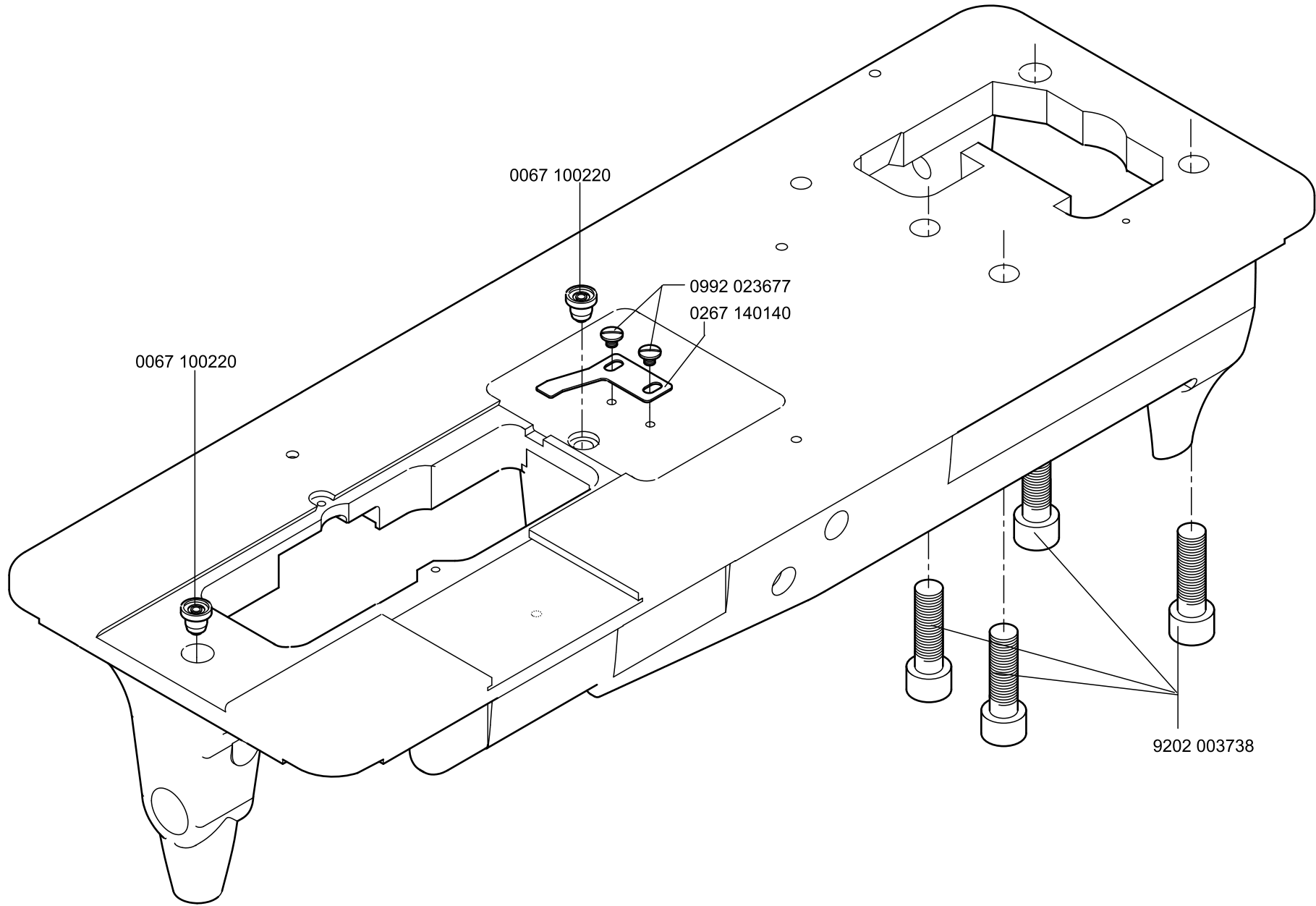


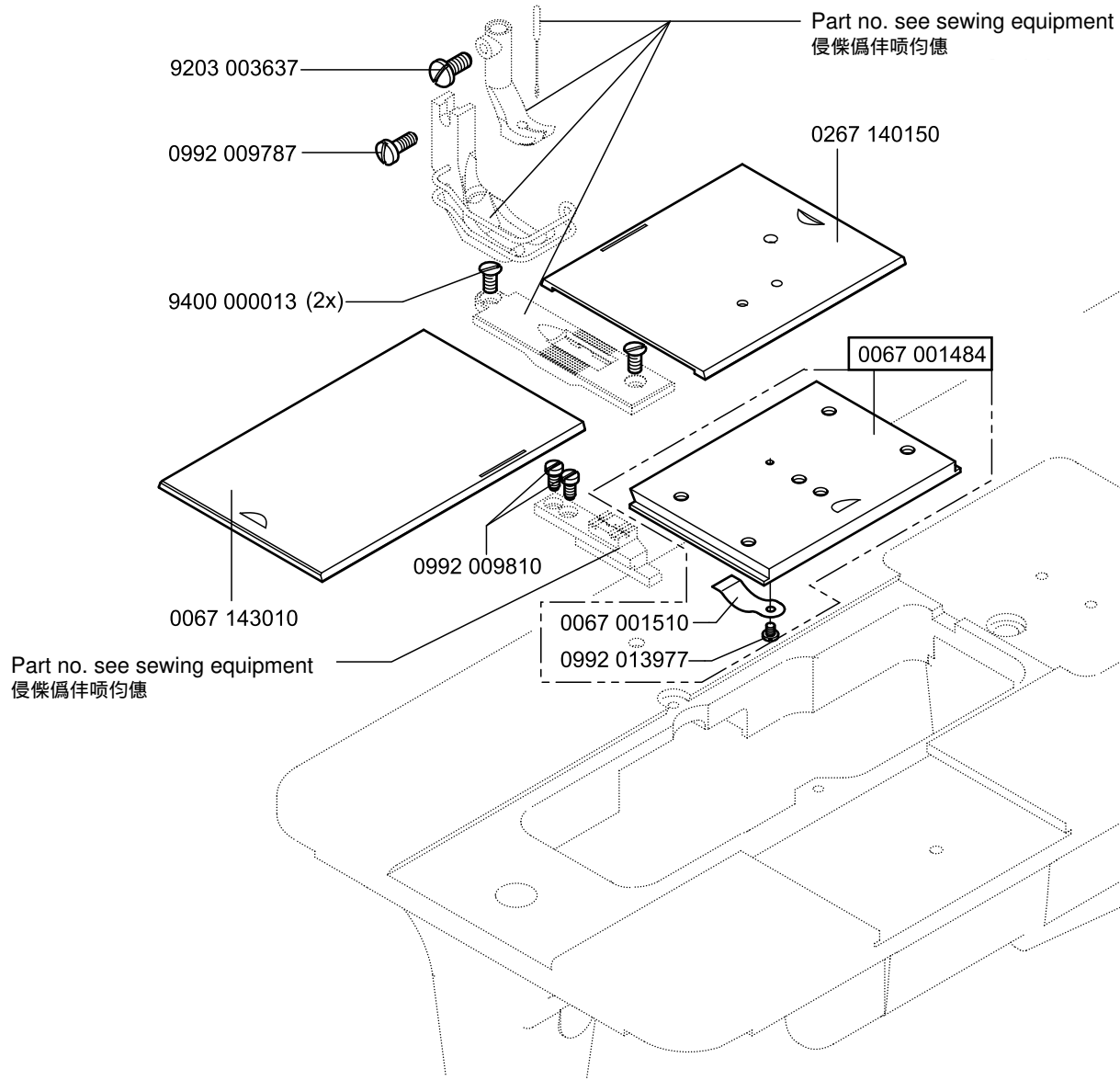


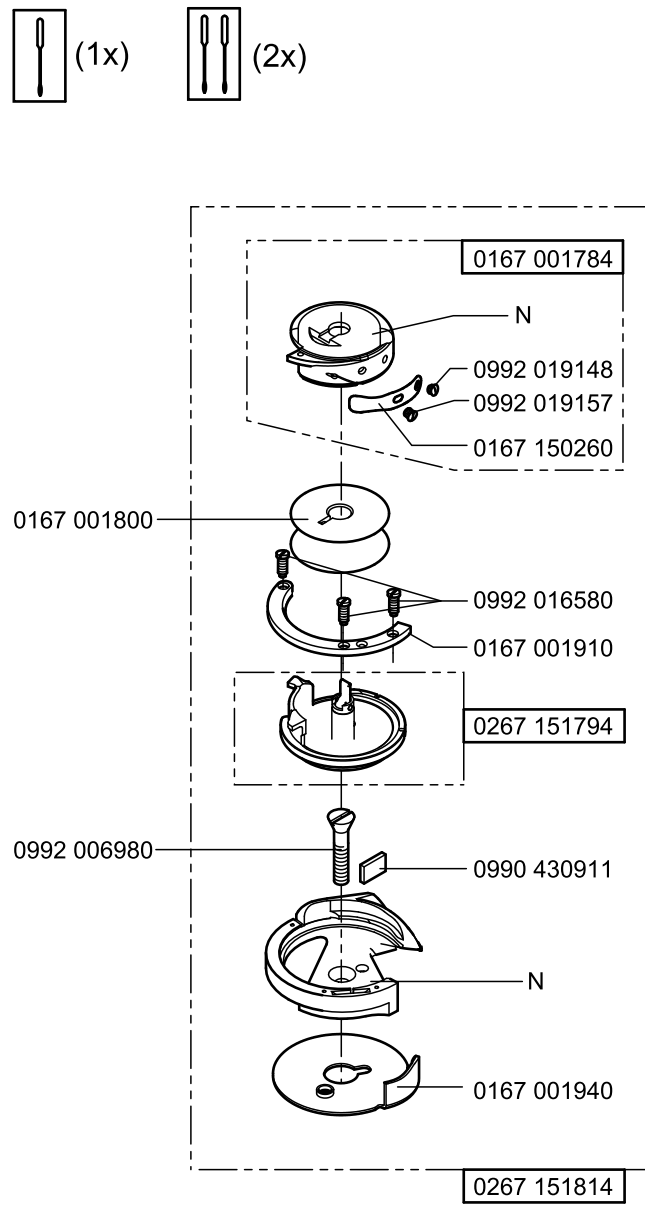
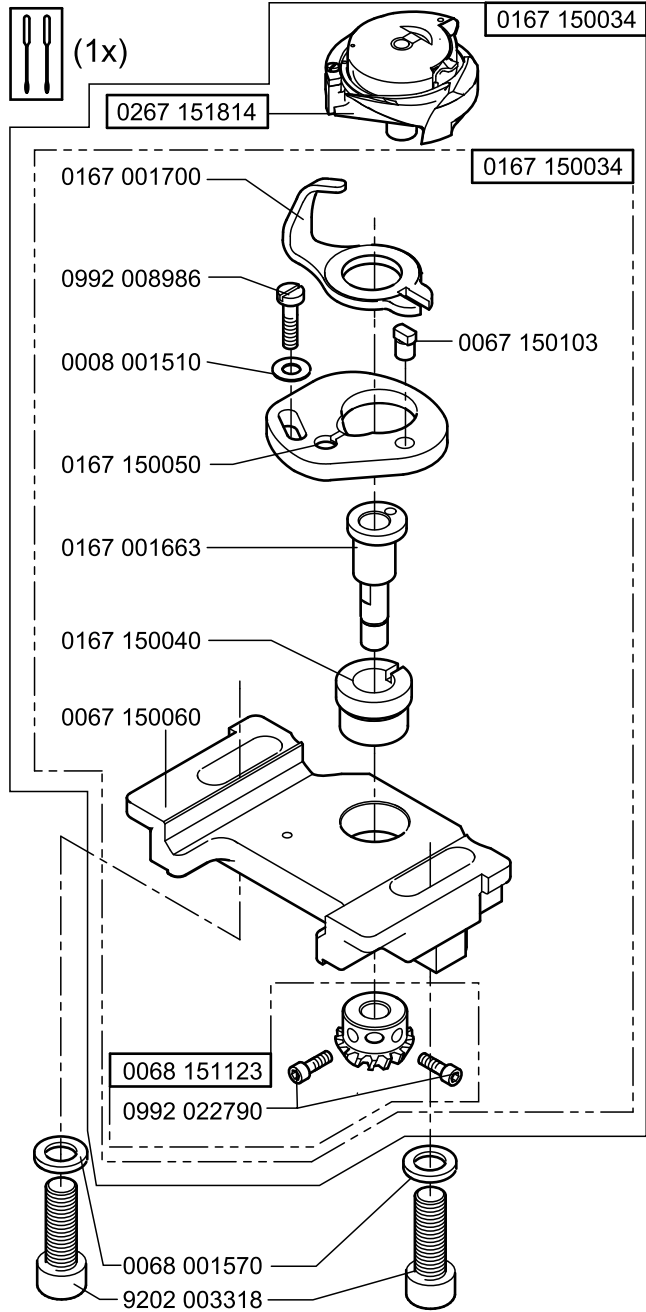




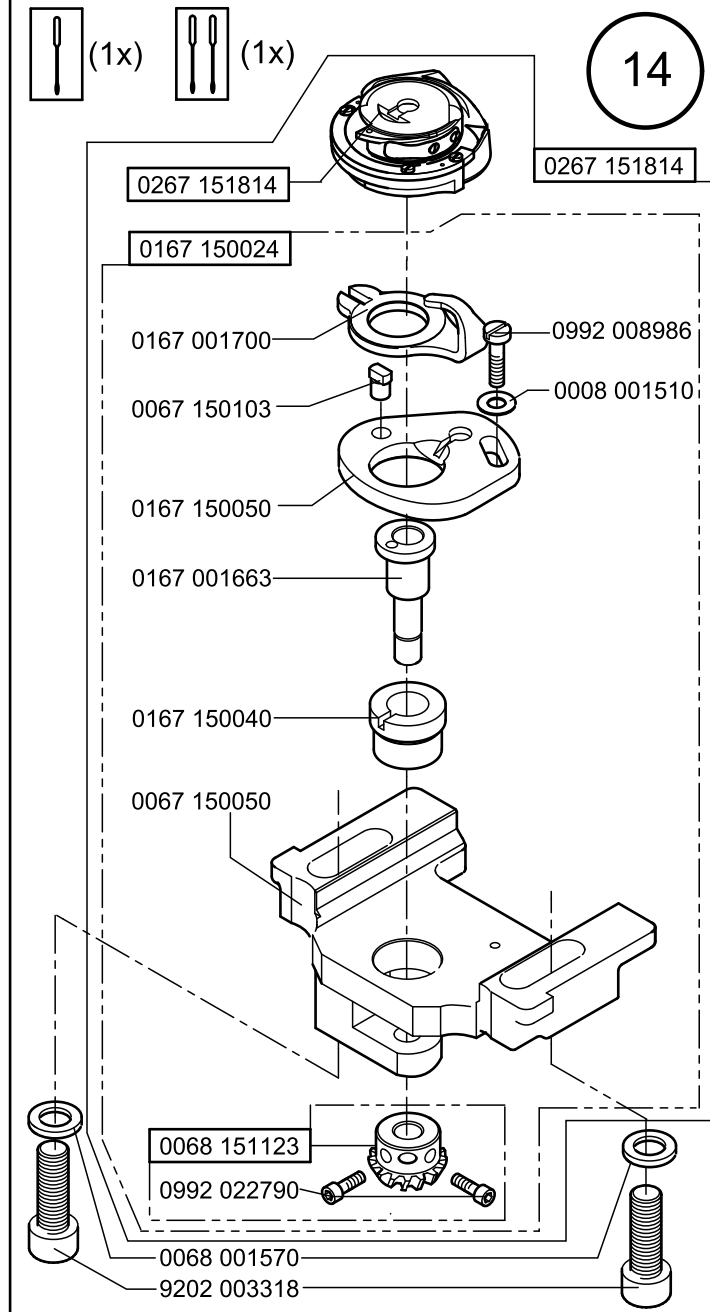


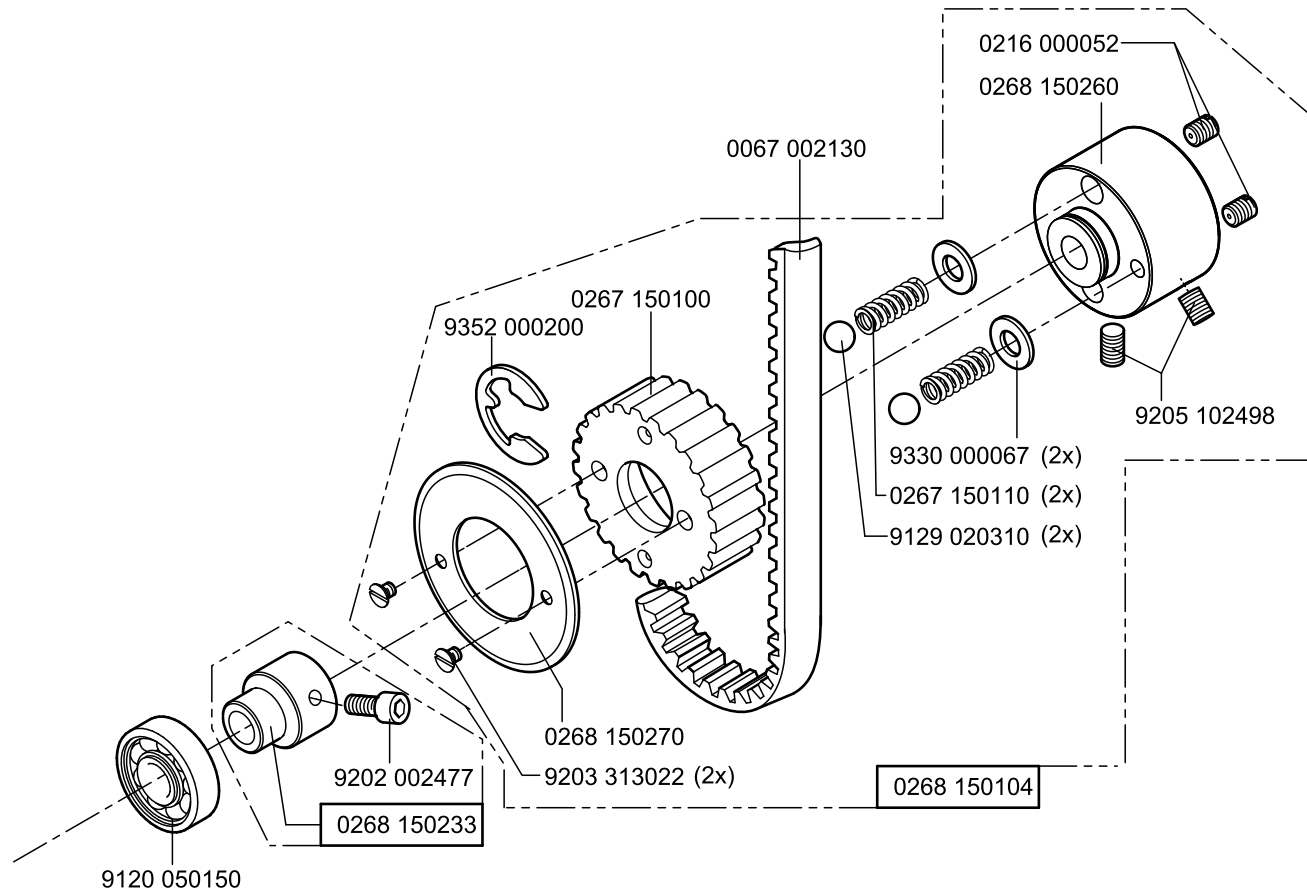


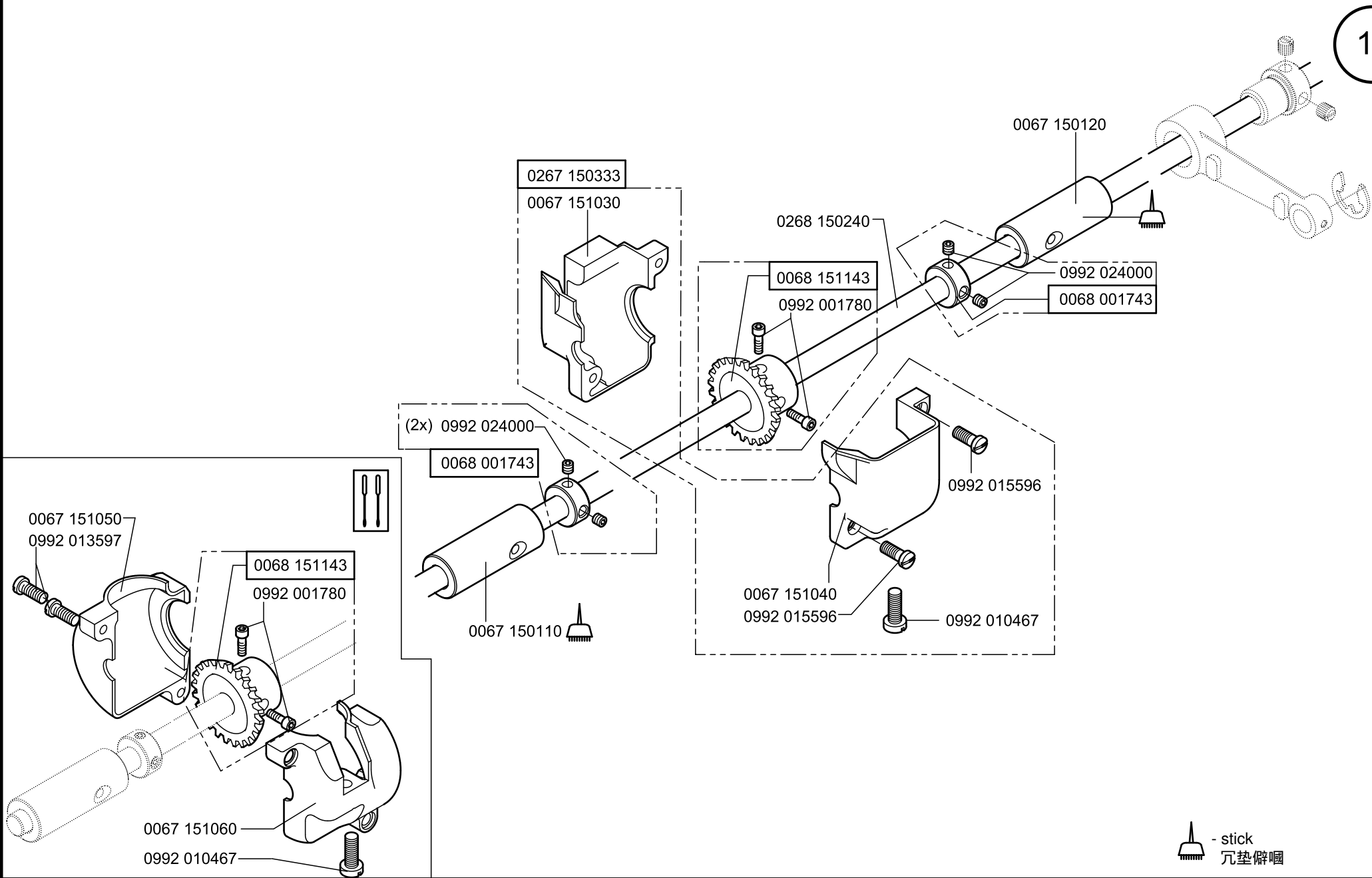


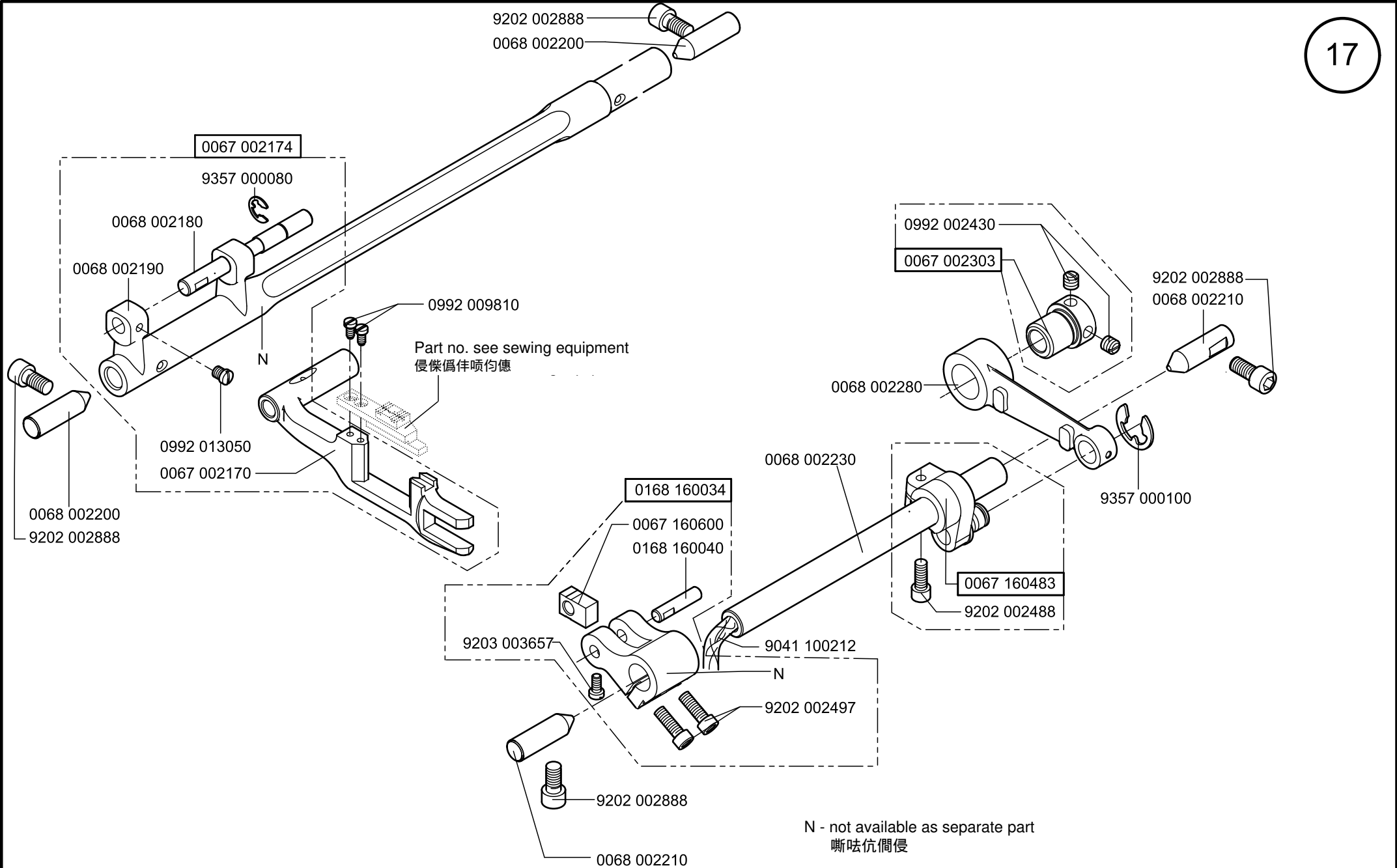


N - not available as separate part
 啲咗佢個優









MG53 400134

0907 010183

0100 010300

0100 010310

9330 000127

9206 200097

MG53 000501

0700 000044

0700 000045

0700 000050

0700 000043

(6x) 9207 170227

0700 000044

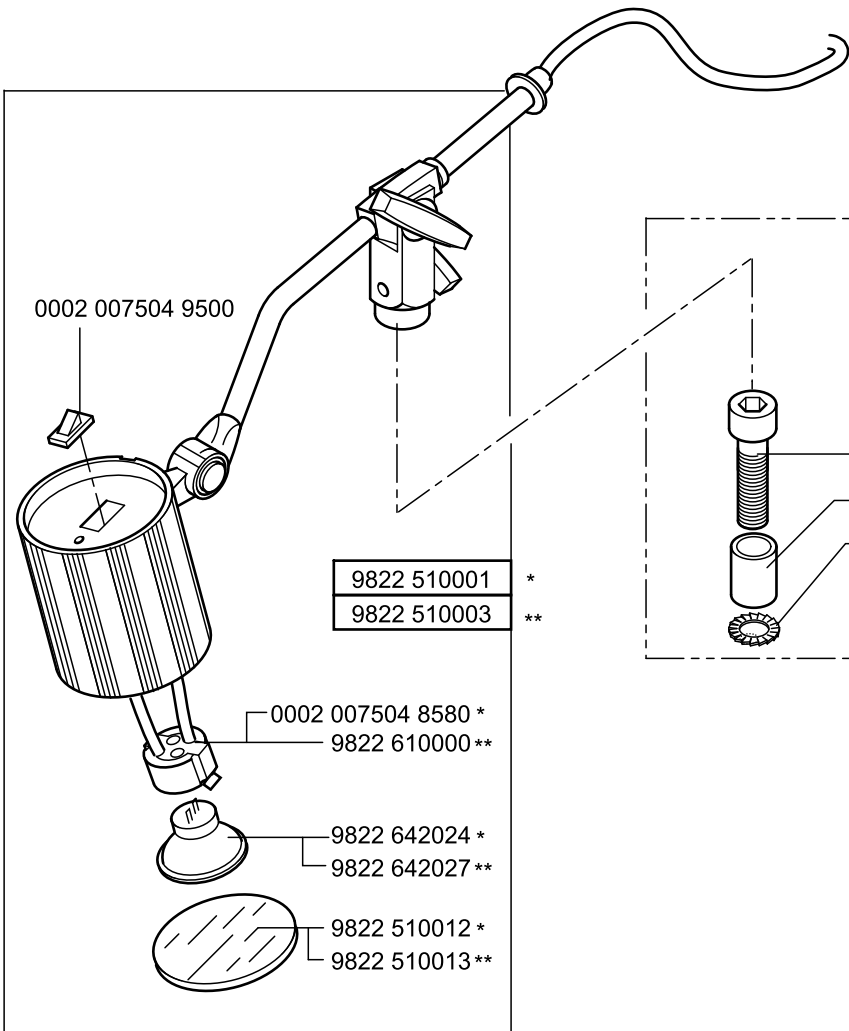
9206 200087

9330 900117

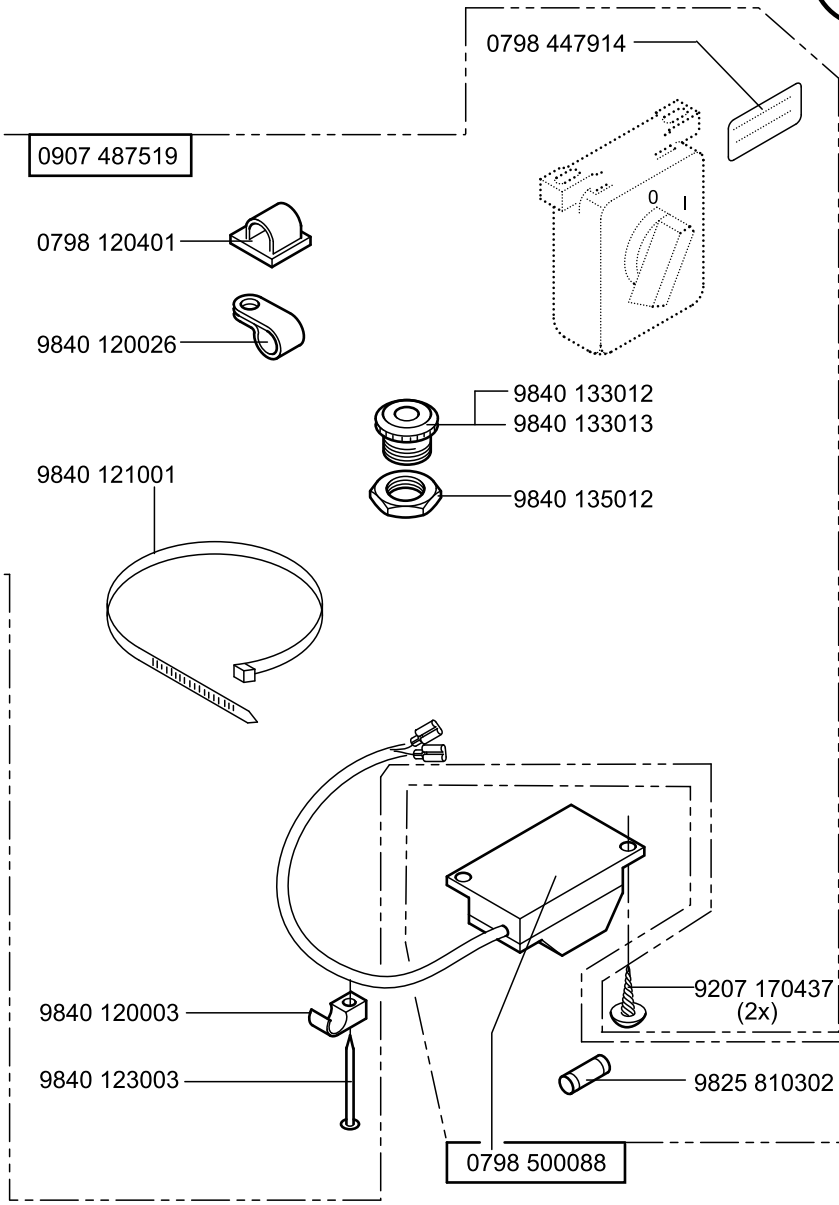
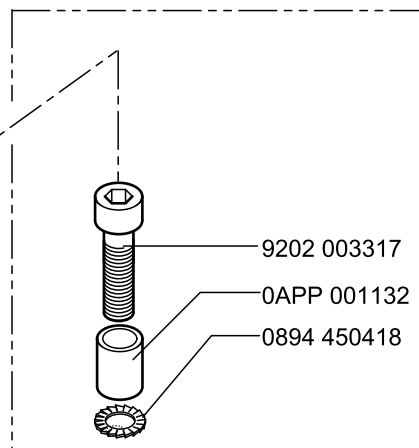
0907 021084

MG43 000062

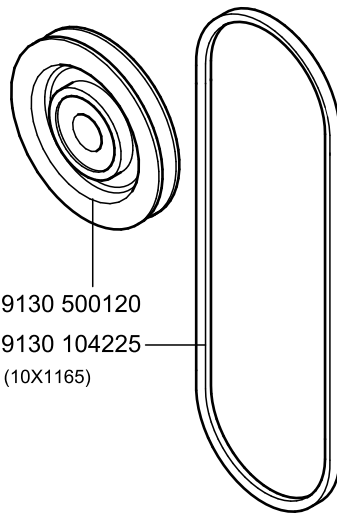
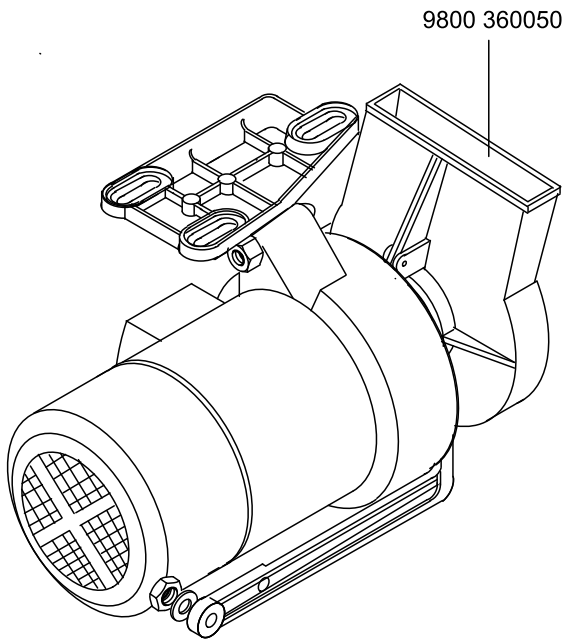
MG53 002501



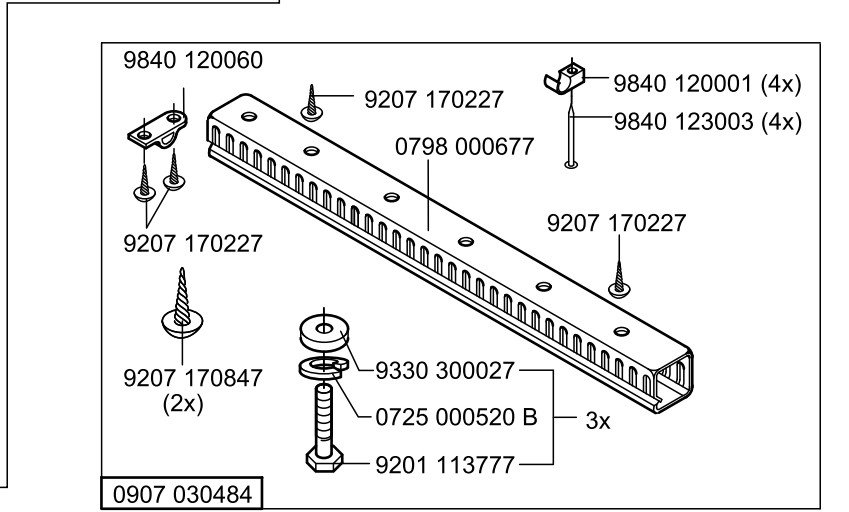
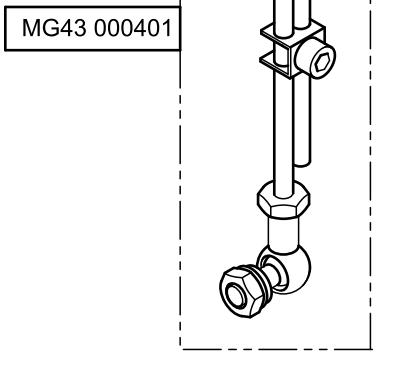
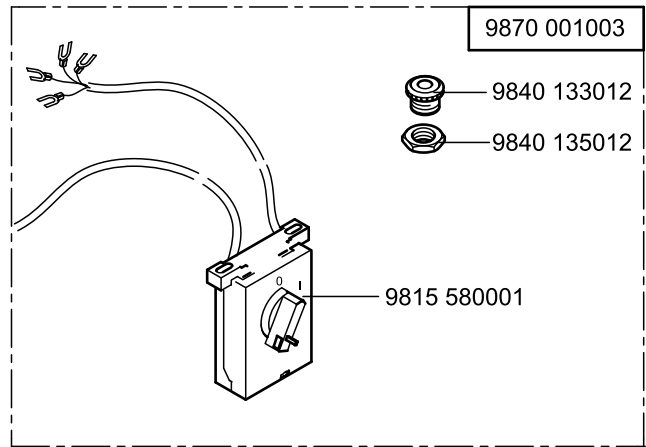
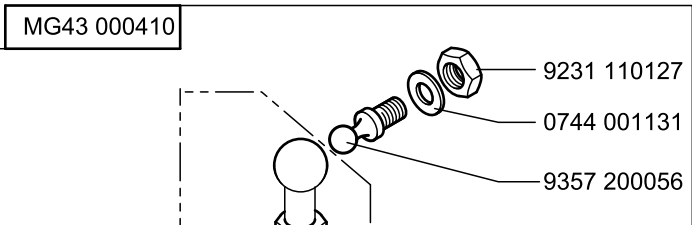
* - until 05.2007 (HP20) 垫哨2007.05
 ** - from 06.2007 (HIG 20 S) 境2007.06 霖稿



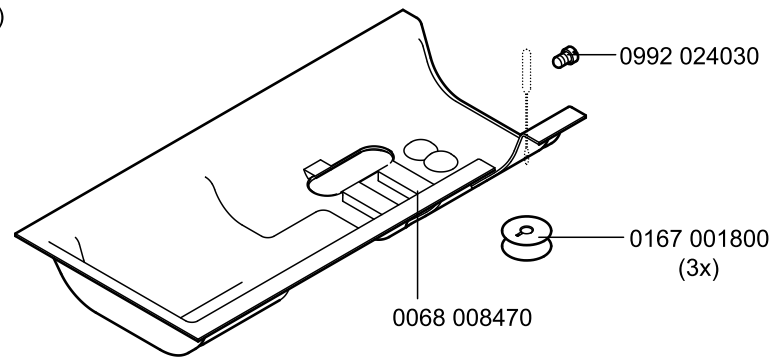
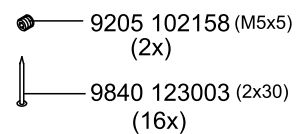
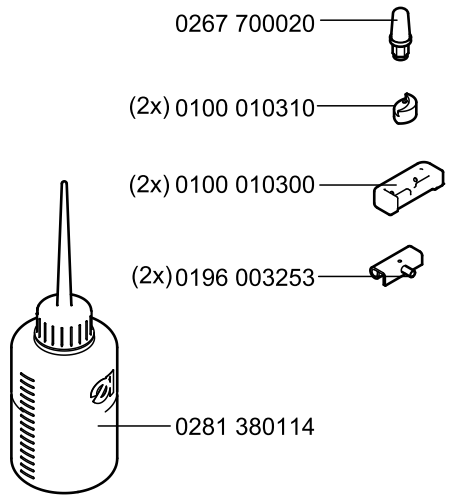
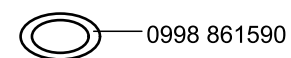
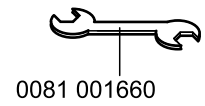
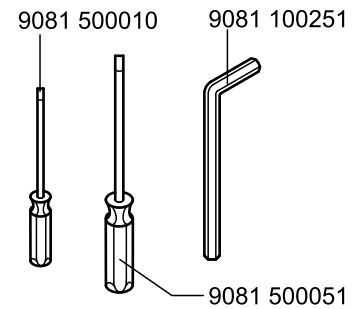
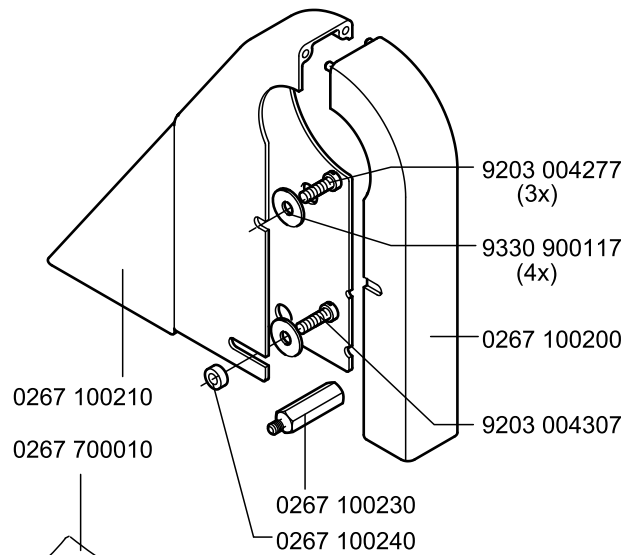
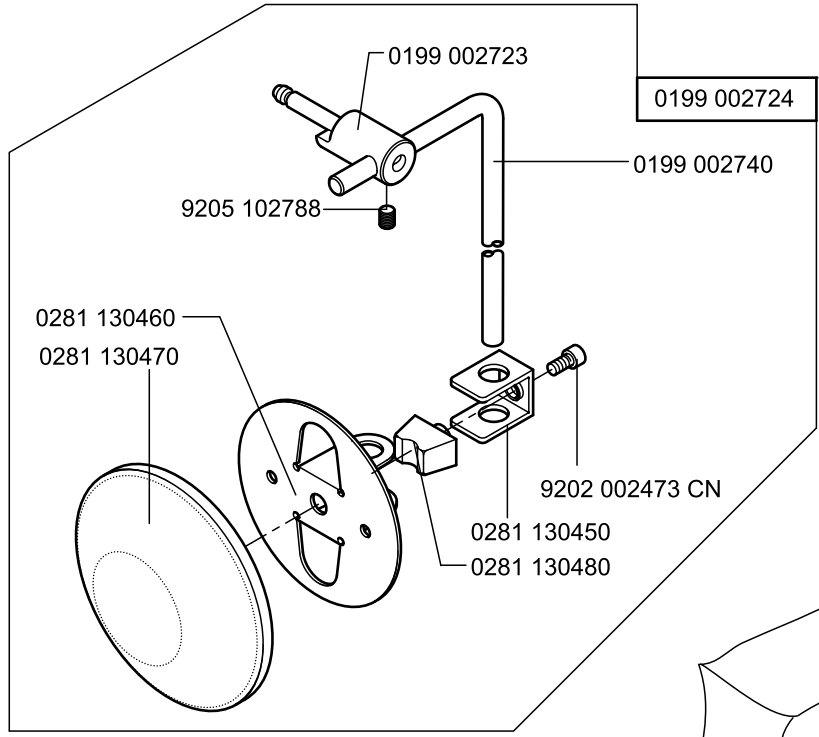
9800 110001 A FIR 1147-F..554.3 3x220/380-415V 50HZ

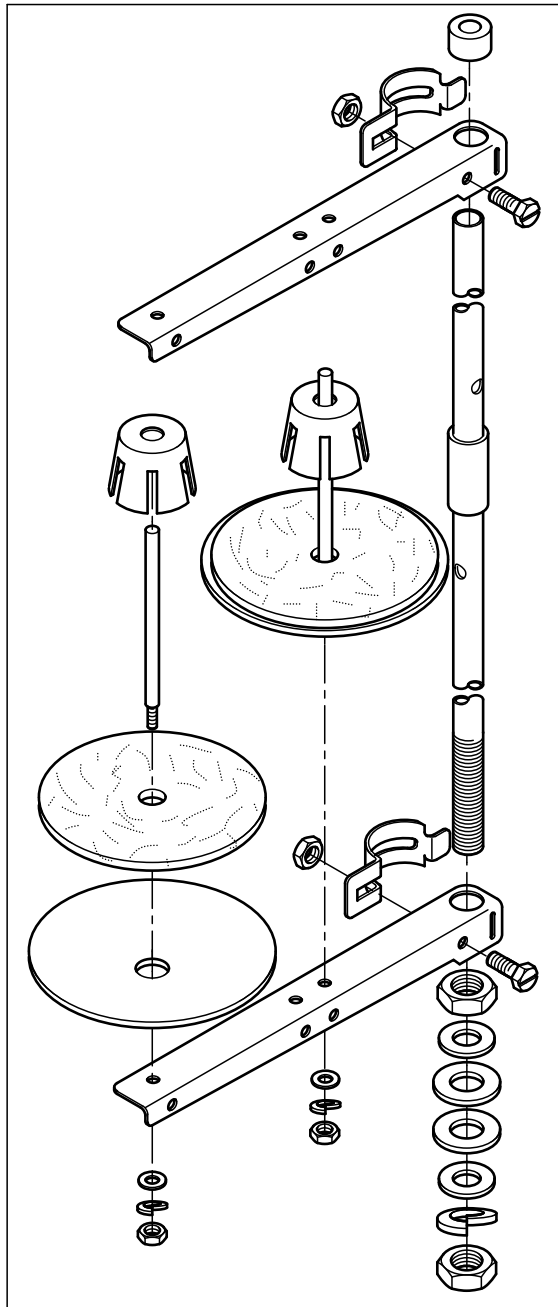


9889 026701 1

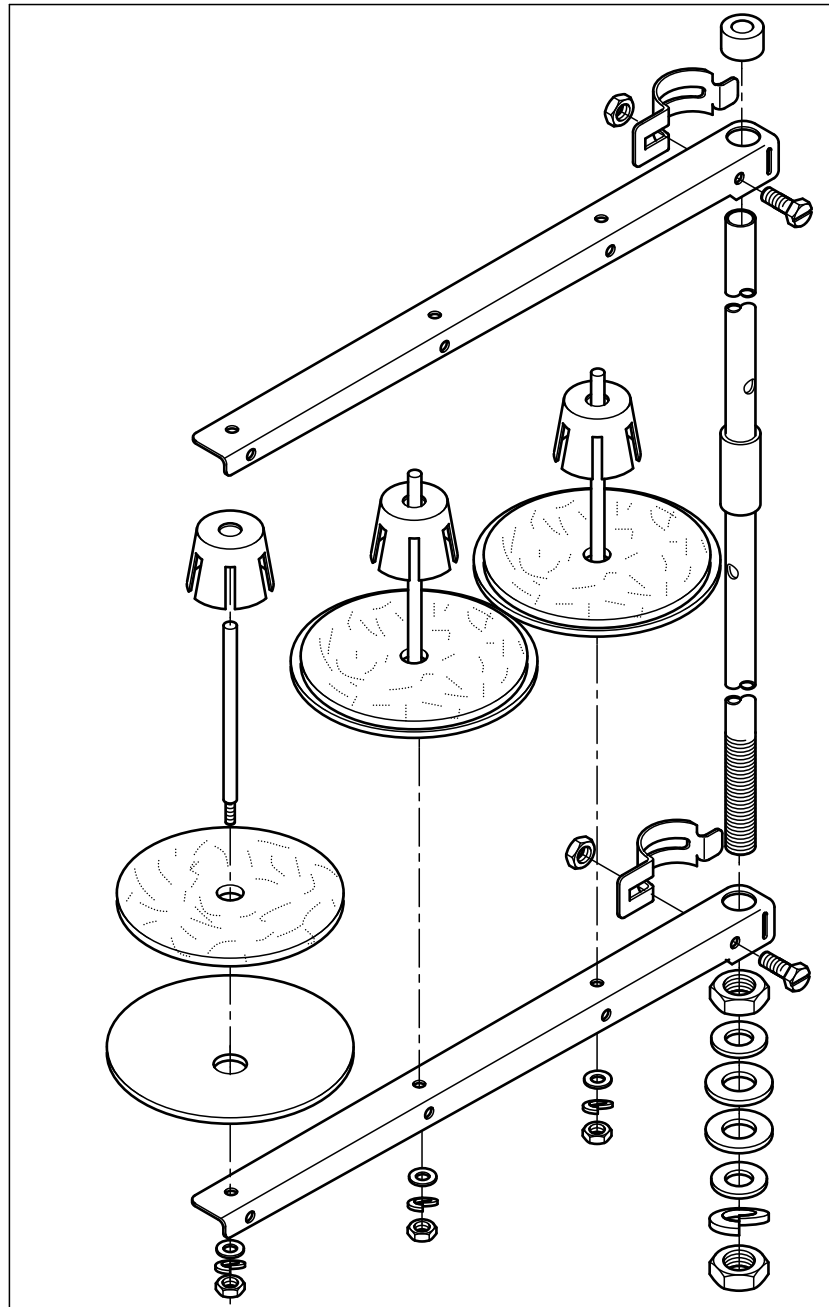
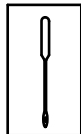


0907 030484

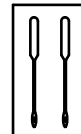




0281 700014



0791 267100

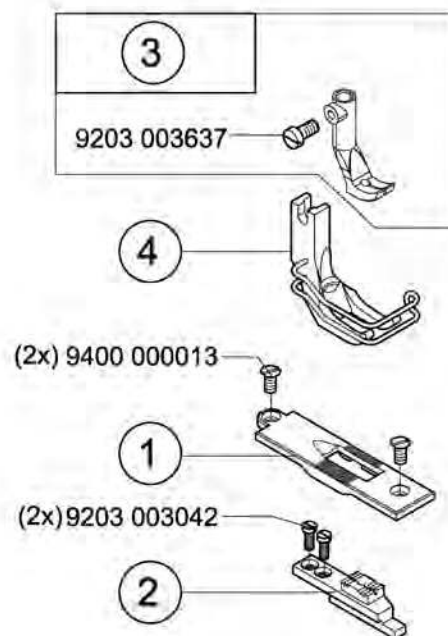
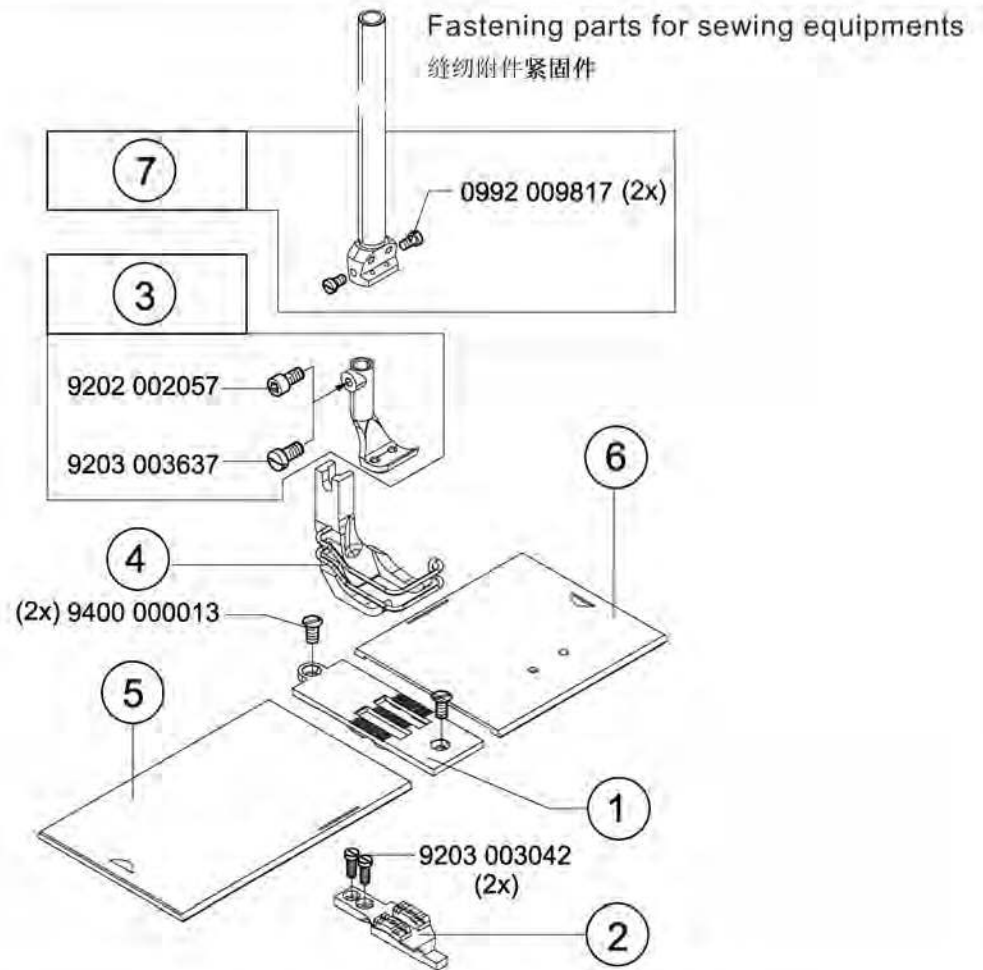


22

Part-No. / 僂𠵼	Table / 团𠵼	Part-No. / 僂𠵼	Table / 团𠵼	Part-No. / 僂𠵼	Table / 团𠵼	Part-No. / 僂𠵼	Table / 团𠵼				
0002	007504 8580	19	0067	150060	14	0068	002200	17	0167	150050	14
0002	007504 9500	19	0067	150103	14	0068	002210	17	0167	150260	14
0008	001510	14	0067	150110	16	0068	002230	17	0168	160034	17
0002	007504 8580	19	0067	150120	16	0068	002280	17	0168	160040	17
0002	007504 9500	19	0067	151030	16	0068	002343	05	0196	002830	06
0008	001510	14	0067	151040	16	0068	002380	05	0196	003253	21
0016	004010	08, 09	0067	151050	16	0068	002400	05	0199	002723	21
0037	000150	03	0067	151060	16	0068	002410	04	0199	002724	21
0037	001280	07, 08, 09	0067	160013	01	0068	003320	03	0199	002740	21
0061	001050	08, 09	0067	160483	17	0068	004900	08	0216	000052	15
0061	002410	03	0067	160533	04	0068	004910	08	0221	110150	07, 08, 09
0067	000180	02	0067	160600	04, 17	0068	008470	21	0221	110154	07, 08, 09
0067	000423	02	0067	312013	02	0068	151123	14	0221	110160	07, 08, 09
0067	001484	13	0067	312030	02	0068	151143	16	0223	000646	01
0067	001510	13	0067	312050	02	0069	312030	02	0241	001067	11
0067	002130	01, 15	0067	312070	02	0069	312040	02	0267	100010	11
0067	002170	17	0067	312170	03	0069	312053	02	0267	100200	21
0067	002174	17	0067	312174	03	0069	312070	02	0267	100210	21
0067	002303	17	0067	312213	02	0081	001660	21	0267	100230	21
0067	002320	05	0067	312214	02	0095	000110	02	0267	100240	21
0067	002330	05	0067	312240	02	0098	101000	01	0267	110030	02
0067	002380	01	0067	312250	02	0099	002330	04	0267	120030	02
0067	002460	05	0067	320150	10	0099	004800	08, 09	0267	130060	06
0067	002470	05	0068	000120	11	0099	004810	08, 09	0267	130064	06
0067	003050	06	0068	000170	02	0099	004830	08, 09	0267	130100	06
0067	003123	02	0068	000213	09	0099	004893	08	0267	130104	06
0067	003133	02	0068	000280	09	0100	010300	18, 21	0267	130113	06
0067	003293	03	0068	000290	11	0100	010310	18, 21	0267	130120	06
0067	003320	03	0068	000300	09	0167	000670	06	0267	130133	06
0067	100014	01	0068	000430	02	0167	001663	14	0267	130140	06
0067	100050	01	0068	000440	01	0167	001700	14	0267	130150	06
0067	100220	12	0068	000470	02	0167	001784	14	0267	130160	06
0067	100600	01	0068	000660	03	0167	001800	14, 21	0267	130170	06
0067	100610	01	0068	000680	03	0167	001910	14	0267	140080	12
0067	130140	06	0068	001570	14	0167	001940	14	0267	140140	12
0067	143010	13	0068	001743	16	0167	150024	14	0267	140150	13
0067	150033	01	0068	002180	17	0167	150034	14	0267	150100	15
0067	150050	14	0068	002190	17	0167	150040	14	0267	150110	15

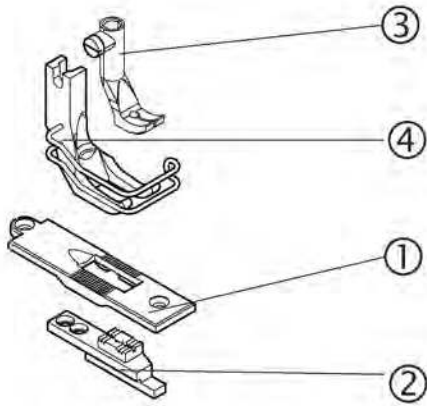
Part-No. / 傍𦵑	Table / 团𦵑	Part-No. / 傍𦵑	Table / 团𦵑	Part-No. / 傍𦵑	Table / 团𦵑	Part-No. / 傍𦵑	Table / 团𦵑				
0267	150333	16	0268	150233	15	0367	110120	09	0907	030484	20
0267	151794	14	0268	150240	16	0367	110140	09	0907	487519	19
0267	151814	14	0268	150260	15	0367	110230	08, 09	0933	411208	08, 09
0267	160023	04	0268	150270	15	0367	110240	09	0990	240181	01
0267	160030	04	0268	160010	05	0367	110340	08, 09	0990	430911	14
0267	310013	02	0268	160013	05	0367	110350	08, 09	0992	001780	16
0267	700010	21	0268	160020	05	0367	110360	08, 09	0992	002430	17
0267	700020	21	0268	160030	05	0367	110510	08, 09	0992	003280	02
0268	100040	11	0268	160040	05	0367	110560	08, 09	0992	004477	05
0268	100060	01	0268	160050	05	0367	160640	07	0992	005660	05
0268	100070	01	0268	160060	05	0367	170040	10	0992	006800	03
0268	100120	07	0268	160073	05	0367	170083	10	0992	006980	14
0268	100134	01	0268	160080	05	0381	110043	08, 09	0992	008986	14
0268	100160	06	0268	160140	05	0396	110020	07	0992	009787	03, 13
0268	100193	01	0268	160230	05	0396	110470	07, 08, 09	0992	009810	13, 17
0268	100393	01	0268	160254	05	0396	170060	10	0992	010467	16
0268	100403	01	0268	170013	01	0396	170080	10	0992	012157	02
0268	100410	11	0268	170030	10	0396	170160	07, 08, 09	0992	013050	17
0268	100490	07	0268	170050	10	0396	170170	07, 08, 09	0992	013597	16
0268	100494	07	0268	170054	10	0396	170270	10	0992	013977	13
0268	110010	08	0268	170063	10	0396	170283	10	0992	014950	03
0268	110014	08	0268	170074	10	0467	110220	08, 09	0992	015596	16
0268	110024	09	0268	170080	10	0700	000043	18	0992	016580	14
0268	110030	08, 09	0268	170103	10	0700	000044	18	0992	017567	08, 09
0268	110040	11	0268	170110	10	0700	000045	18	0992	019148	14
0268	110050	08, 09	0268	230014	02	0700	000050	18	0992	019157	14
0268	110060	08, 09	0268	310013	01	0725	000520 B	20	0992	022790	14
0268	110070	09	0268	310063	04	0744	001131	20	0992	023677	12
0268	110083	03	0268	310080	04	0767	100010	11	0992	023997	01
0268	110223	03	0269	130020	06	0791	267100	22	0992	024000	16
0268	110240	08, 09	0281	130450	21	0798	000677	20	0992	024030	21
0268	130013	06	0281	130460	21	0798	120401	19	0992	024077	08, 09
0268	130030	06	0281	130470	21	0798	447914	19	0993	330810	05
0268	130070	06	0281	130480	21	0798	500088	19	0993	411208	07
0268	130080	06	0281	380114	21	0893	211068	04	0993	521130	06
0268	130120	03	0281	700014	22	0894	450418	19	0993	671634	06
0268	130140	06	0291	000159	02	0907	010183	18	0994	270950	04
0268	150104	15	0296	160670	08, 09	0907	021084	18	0994	271360	01

Part-No. / 傍𠵼	Table / 囡𠵼	Part-No. / 傍𠵼	Table / 囡𠵼	Part-No. / 傍𠵼	Table / 囡𠵼	Part-No. / 傍𠵼	Table / 囡𠵼
0995 140217	06	9203 003677	11	9330 000087	02, 07, 11	9870 001003	20
0998 861590	10, 21	9203 003977	11	9330 000097	03, 10	9889 026701 1	20
0APP 001132	19	9203 004277	21	9330 000107	05	MG43 000062	18
9041 100050	07	9203 004307	21	9330 000127	18	MG43 000401	20
9041 100212	01, 17	9203 113764	11	9330 300027	20	MG43 000410	20
9081 100251	21	9203 123687	07, 08, 09	9330 900117	18, 21	MG53 000501	18
9081 500010	21	9203 144267	06	9332 500150	06	MG53 002501	18
9081 500051	21	9203 312411	02	9334 001120	10	MG53 400134	18
9120 050150	15	9203 313022	15	9352 000200	01, 15		
9120 080110	01	9203 313057	11	9352 000320	01		
9129 016050	01	9203 313652	10	9357 000050	10		
9129 020200	06	9203 313657	10	9357 000060	02		
9129 020310	15	9205 023658	09	9357 000080	02, 06, 17		
9130 104225	20	9205 023920	02	9357 000100	02, 04, 06, 17		
9130 500120	20	9205 024298	05	9357 000110	03		
9201 113777	20	9205 101528	02	9357 200056	20		
9202 002067	11	9205 102158	21	9400 000013	13		
9202 002097	02	9205 102168	10	9800 110001 A	20		
9202 002473 CN	21	9205 102467	02, 03	9800 360050	20		
9202 002477	15	9205 102478	01, 02	9815 580001	20		
9202 002488	03, 06, 17	9205 102488	01	9822 510001	19		
9202 002497	03, 17	9205 102498	15	9822 510003	19		
9202 002498	04	9205 102788	21	9822 510012	19		
9202 002887	05, 06	9205 122478	01	9822 510013	19		
9202 002888	05, 17	9205 122489	01	9822 610000	19		
9202 002897	02, 04	9206 200087	18	9822 642024	19		
9202 002898	06	9206 200097	18	9822 642027	19		
9202 003317	19	9207 170227	18, 20	9825 810302	19		
9202 003318	14	9207 170437	19	9840 120001 (4x)	20		
9202 003738	12	9207 170847	20	9840 120003	19		
9202 011877	05	9210 023757	06	9840 120026	19		
9202 042487	03	9231 000367	07	9840 120060	20		
9203 002747	06	9231 000377	07, 08, 09	9840 121001	19		
9203 003057	10	9231 000397	05	9840 123003	19, 21		
9203 003637	13	9231 110107	06	9840 123003 (4x)	20		
9203 003642	11	9231 110127	02, 20	9840 133012	19, 20		
9203 003647	10	9305 603270	05	9840 133013	19		
9203 003657	08, 09, 11, 17	9330 000067	15	9840 135012	19, 20		

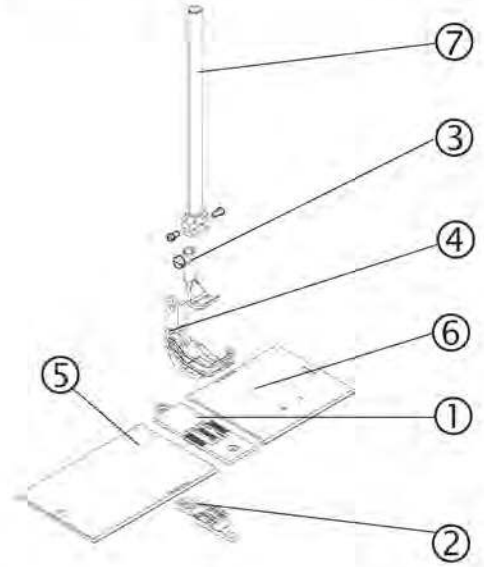




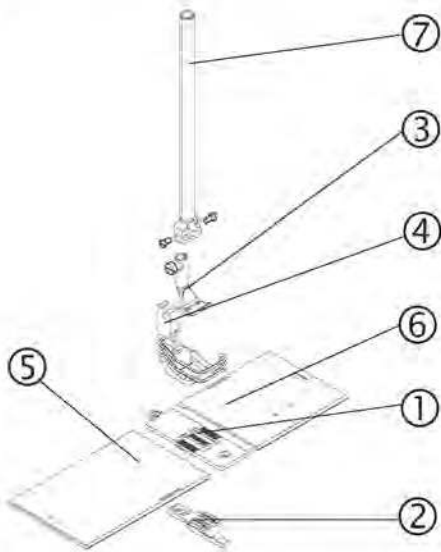
E2



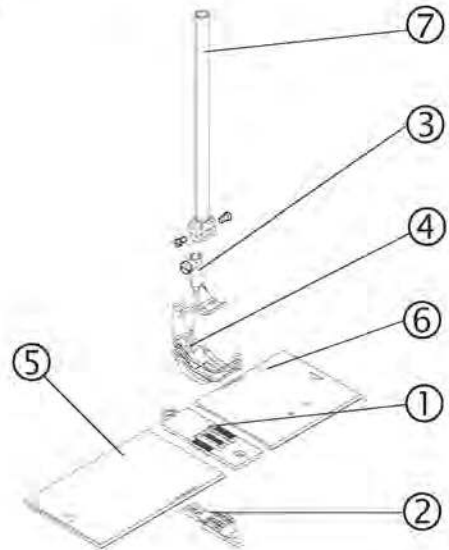
E8/6



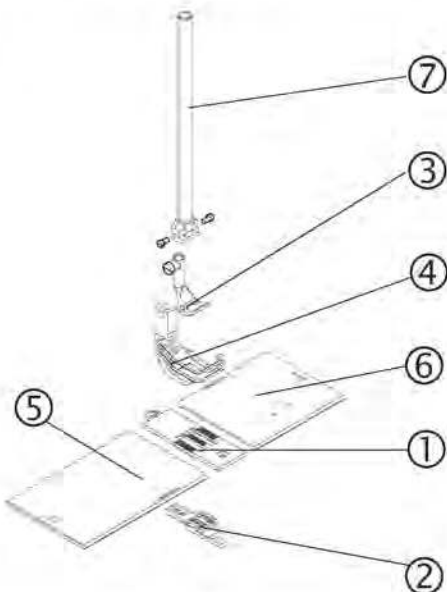
E8/8



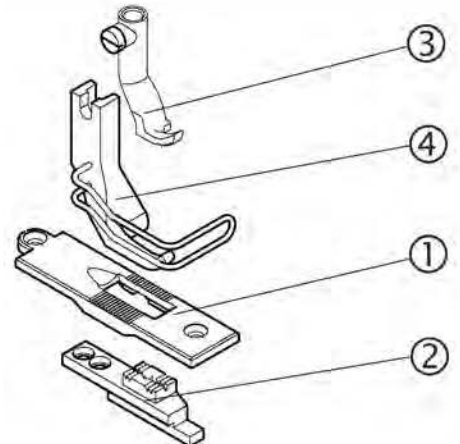
E8/12



E8/14

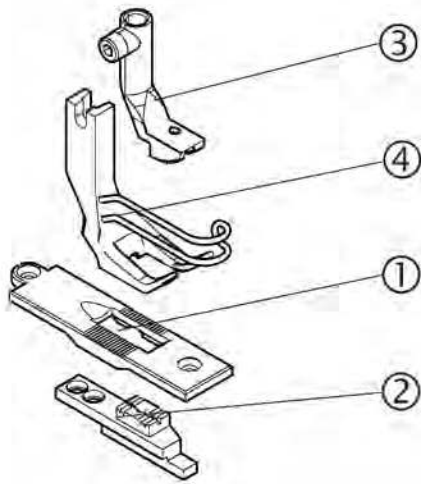


E34

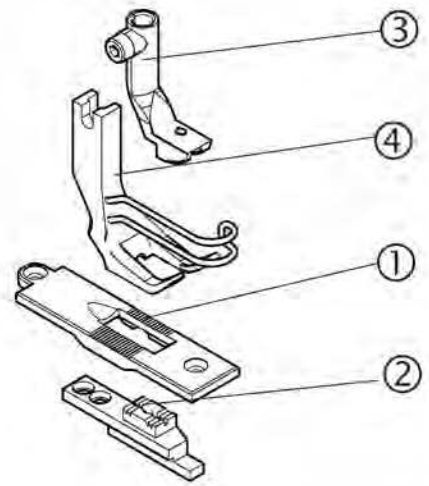




E49



E50





E-No.	For Subclass / 适用机型	Needle holder 针夹		Throat plate 针板		Main feed dog 主送料牙				Presser foot 压脚		Hook 旋梭								
		Needle distance mm	Needle holder	Needle holder, left	Needle holder, right	Stitch hole size mm	Throat plate	Slide, left	Slide, right	Stitch hole size mm	Serrated mm	Serrated, oblique mm	Cross toothed mm	Roof-shaped mm	Feed foot	Presser foot	Foot, articulated <small>Foot, articulation, with lever</small>	Foot, articulated	Needle guard	Needle system
Fig.No.	Use/ 用途	针距	针夹	左针夹	右针夹	针板孔尺寸	针板	左推板	右推板	针板孔尺寸	锯齿	锯齿倾斜	十字齿	人字形齿	送料压脚	压脚	活络压脚,带连杆	活络压脚	护针架	针规格
E2	-373 Sewing equipment for general stitching operations in medium weight material in the production of upholstery, tarpaulins and leather articles. Needle size Nm 110-140. Stitch length max. 6 mm 适用于缝制中厚料沙发、帐篷和皮革制品的缝纫附件。 针规格: Nm110-140 最大针距长度: 6mm					ø 2.5	0167 200150			0167 210140					0267 220013	0267 220023				134-35 / 120-130
E34	-373 Sewing equipment for edge seams on the right in medium weight material in the production of upholstery, bags and leather articles. Seam margin 1 mm. Needle size Nm 110-140. Stitch length max. 6 mm 适用于缝制中厚料沙发、箱包和皮革制品时右侧边缝的缝纫附件。 针规格: Nm110-140 最大针距长度: 6mm					ø 2.5	0167 200150			0167 210140					0067 220713	0067 220783				134-35 / 120-130
E49	-373 Sewing equipment for welting operations in medium weight material (coarsely woven fabrics) in the production of upholstery. Welt groove 5 mm to the left of the needle in feeding foot and double toe jumping foot. Needle size Nm 110-140. Stitch length max. 6 mm 适用于缝制中厚料沙发、(粗织纤维)嵌缝的缝制设备,在送料压脚和大压脚中嵌条槽距针左侧距离为 5mm。 针规格: Nm110-140 最大针距长度: 6mm					ø 2.5	0167 200150			0167 210140					0167 220603	0167 220613				134-35 / 120-130
E50	-373 Same as E49, but welt groove 6 mm. 同 E49,但嵌条槽距针左侧距离 6mm。					ø 2.5	0167 200150			0167 210140					0167 220603	0167 220623				134-35 / 120-130

