

Part. N.	Tab. N.	Part. N.	Tab. N.	Part. N.	Tab. N.	Part. N.	Tab. N.	Part. N.	Tab. N.	Part. N.	Tab. N.	Part. N.	Tab. N.	Part. N.	Tab. N.
00001-0-00	20-21	00002-0-00	20-21	00003-0-00	20-21	00004-0-00	20-21	00005-0-00	20-21	00006-0-00	20-21	00007-0-00	20-21	00008-0-00	20-21
00009-0-00	20-21	00010-0-00	20-21	00011-0-00	20-21	00012-0-00	20-21	00013-0-00	20-21	00014-0-00	20-21	00015-0-00	20-21	00016-0-00	20-21
00017-0-00	20-21	00018-0-00	20-21	00019-0-00	20-21	00020-0-00	20-21	00021-0-00	20-21	00022-0-00	20-21	00023-0-00	20-21	00024-0-00	20-21
00025-0-00	20-21	00026-0-00	20-21	00027-0-00	20-21	00028-0-00	20-21	00029-0-00	20-21	00030-0-00	20-21	00031-0-00	20-21	00032-0-00	20-21
00033-0-00	20-21	00034-0-00	20-21	00035-0-00	20-21	00036-0-00	20-21	00037-0-00	20-21	00038-0-00	20-21	00039-0-00	20-21	00040-0-00	20-21
00041-0-00	20-21	00042-0-00	20-21	00043-0-00	20-21	00044-0-00	20-21	00045-0-00	20-21	00046-0-00	20-21	00047-0-00	20-21	00048-0-00	20-21
00049-0-00	20-21	00050-0-00	20-21	00051-0-00	20-21	00052-0-00	20-21	00053-0-00	20-21	00054-0-00	20-21	00055-0-00	20-21	00056-0-00	20-21
00057-0-00	20-21	00058-0-00	20-21	00059-0-00	20-21	00060-0-00	20-21	00061-0-00	20-21	00062-0-00	20-21	00063-0-00	20-21	00064-0-00	20-21
00065-0-00	20-21	00066-0-00	20-21	00067-0-00	20-21	00068-0-00	20-21	00069-0-00	20-21	00070-0-00	20-21	00071-0-00	20-21	00072-0-00	20-21
00073-0-00	20-21	00074-0-00	20-21	00075-0-00	20-21	00076-0-00	20-21	00077-0-00	20-21	00078-0-00	20-21	00079-0-00	20-21	00080-0-00	20-21
00081-0-00	20-21	00082-0-00	20-21	00083-0-00	20-21	00084-0-00	20-21	00085-0-00	20-21	00086-0-00	20-21	00087-0-00	20-21	00088-0-00	20-21
00089-0-00	20-21	00090-0-00	20-21	00091-0-00	20-21	00092-0-00	20-21	00093-0-00	20-21	00094-0-00	20-21	00095-0-00	20-21	00096-0-00	20-21
00097-0-00	20-21	00098-0-00	20-21	00099-0-00	20-21	00100-0-00	20-21	00101-0-00	20-21	00102-0-00	20-21	00103-0-00	20-21	00104-0-00	20-21
00105-0-00	20-21	00106-0-00	20-21	00107-0-00	20-21	00108-0-00	20-21	00109-0-00	20-21	00110-0-00	20-21	00111-0-00	20-21	00112-0-00	20-21
00113-0-00	20-21	00114-0-00	20-21	00115-0-00	20-21	00116-0-00	20-21	00117-0-00	20-21	00118-0-00	20-21	00119-0-00	20-21	00120-0-00	20-21
00121-0-00	20-21	00122-0-00	20-21	00123-0-00	20-21	00124-0-00	20-21	00125-0-00	20-21	00126-0-00	20-21	00127-0-00	20-21	00128-0-00	20-21
00129-0-00	20-21	00130-0-00	20-21	00131-0-00	20-21	00132-0-00	20-21	00133-0-00	20-21	00134-0-00	20-21	00135-0-00	20-21	00136-0-00	20-21
00137-0-00	20-21	00138-0-00	20-21	00139-0-00	20-21	00140-0-00	20-21	00141-0-00	20-21	00142-0-00	20-21	00143-0-00	20-21	00144-0-00	20-21
00145-0-00	20-21	00146-0-00	20-21	00147-0-00	20-21	00148-0-00	20-21	00149-0-00	20-21	00150-0-00	20-21	00151-0-00	20-21	00152-0-00	20-21
00153-0-00	20-21	00154-0-00	20-21	00155-0-00	20-21	00156-0-00	20-21	00157-0-00	20-21	00158-0-00	20-21	00159-0-00	20-21	00160-0-00	20-21
00161-0-00	20-21	00162-0-00	20-21	00163-0-00	20-21	00164-0-00	20-21	00165-0-00	20-21	00166-0-00	20-21	00167-0-00	20-21	00168-0-00	20-21
00169-0-00	20-21	00170-0-00	20-21	00171-0-00	20-21	00172-0-00	20-21	00173-0-00	20-21	00174-0-00	20-21	00175-0-00	20-21	00176-0-00	20-21
00177-0-00	20-21	00178-0-00	20-21	00179-0-00	20-21	00180-0-00	20-21	00181-0-00	20-21	00182-0-00	20-21	00183-0-00	20-21	00184-0-00	20-21
00185-0-00	20-21	00186-0-00	20-21	00187-0-00	20-21	00188-0-00	20-21	00189-0-00	20-21	00190-0-00	20-21	00191-0-00	20-21	00192-0-00	20-21
00193-0-00	20-21	00194-0-00	20-21	00195-0-00	20-21	00196-0-00	20-21	00197-0-00	20-21	00198-0-00	20-21	00199-0-00	20-21	00200-0-00	20-21

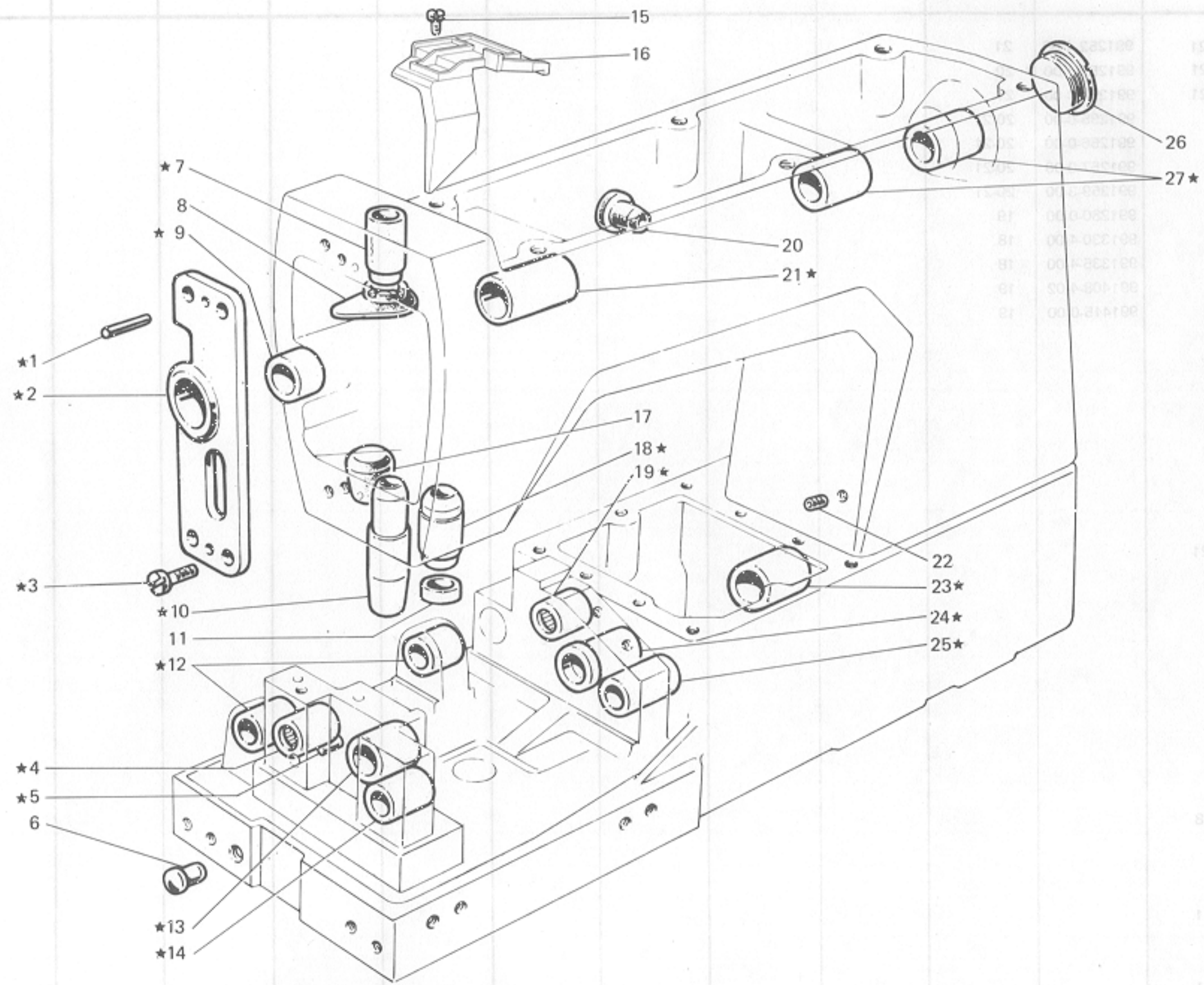
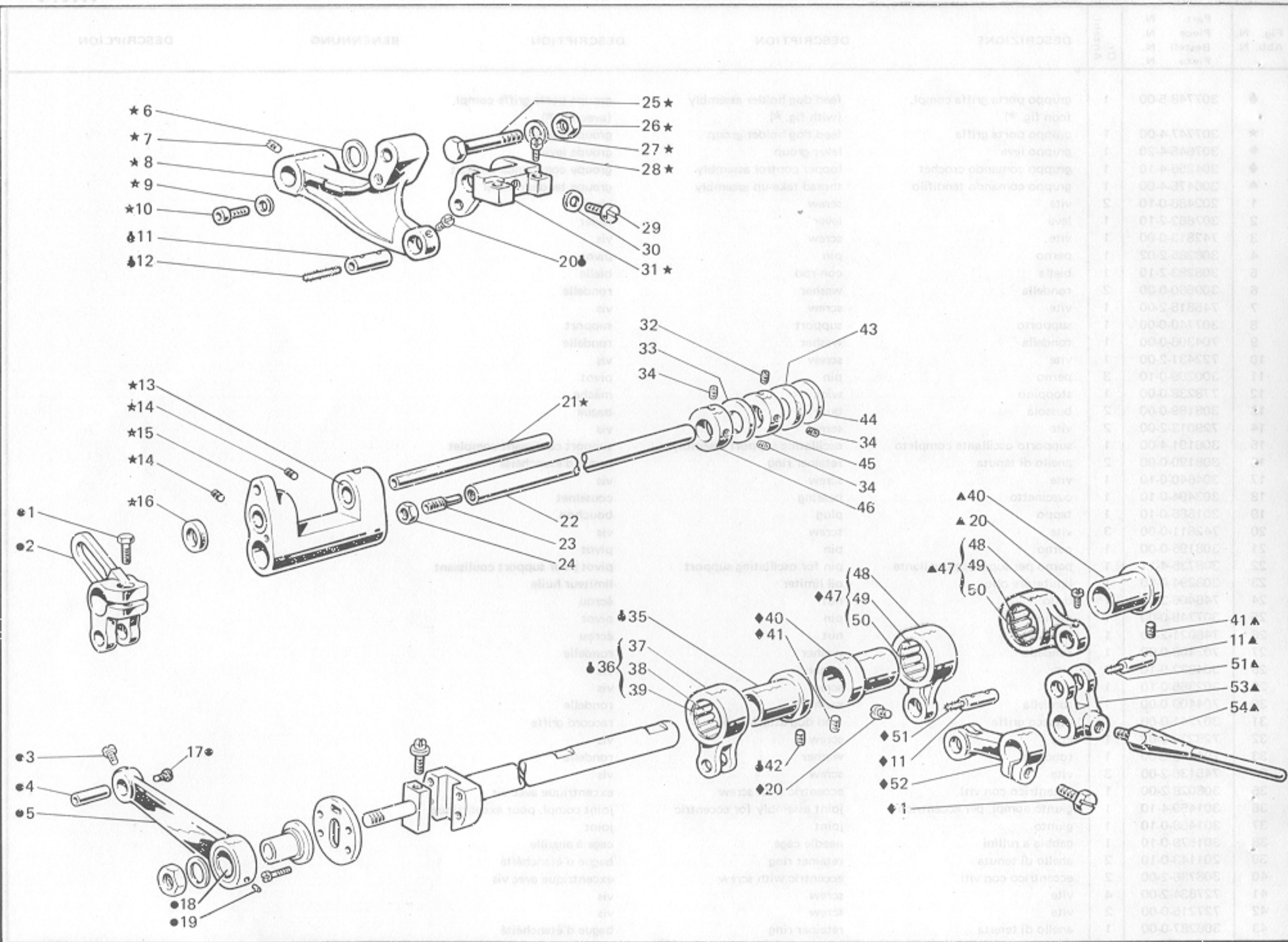


Fig. N. Abb. N.	Part. N. Piece N. Bestell N. Pieza N.	Ct. Anzahl	DESCRIZIONE	DESCRIPTION	DESCRIPTION	BENENNUNG	DESCRIPCION
⊕	307748-5-00	1	gruppo porta griffa compl. (con fig. ★)	feed dog holder assembly (with fig. ★)	★ 25 — groupe porte griffe compl. (avec fig. ★)		
★	307747-4-00	1	gruppo porta griffa	feed dog holder group	★ 25 — groupe porte griffe		
●	307645-4-20	1	gruppo leva	lever group	★ 25 — groupe levier		
◆	304256-4-10	1	gruppo comando crochet	looper control assembly	★ 25 — groupe commande crochet		
▲	306475-4-00	1	gruppo comando tendifilo	thread take-up assembly	★ 25 — groupe tendeur du fil		
1	202486-0-10	2	vite	screw	vis		
2	307662-2-10	1	leva	lever	levier		
3	742813-0-00	1	vite	screw	vis		
4	308285-2-02	1	perno	pin	pivot		
5	308283-2-10	1	biella	con-rod	bielle		
6	309560-0-00	2	rondella	washer	rondelle		
7	745815-2-00	1	vite	screw	vis		
8	307740-0-00	1	supporto	support	support		
9	704306-0-00	1	rondella	washer	rondelle		
10	722431-2-00	1	vite	screw	vis		
11	300209-0-10	3	perno	pin	pivot		
12	778238-0-00	1	stoppino	wick	mèche		
13	308189-0-00	2	bussola	bush	bague		
14	729013-2-00	2	vite	screw	vis		
15	308191-4-00	1	supporto oscillante completo	oscillating support assembly	support coulissant complet		
16	308190-0-00	2	anello di tenuta	retainer ring	bague d'étanchéité		
17	304640-0-10	1	vite	screw	vis		
18	303494-0-10	1	cuscinetto	bearing	coussinet		
19	301586-0-10	1	tappo	plug	bouchon		
20	742811-0-00	3	vite	screw	vis		
21	308195-0-00	1	perno	pin	pivot		
22	308735-4-11	1	perno per supporto oscillante	pin for oscillating support	pivot pour support coulissant		
23	308294-0-10	1	limitatore olio	oil limiter	limiteur huile		
24	746406-2-00	1	dado	nut	écrou		
25	307749-0-00	1	perno	pin	pivot		
26	746021-2-00	1	dado	nut	écrou		
27	702406-0-00	1	rondella	washer	rondelle		
28	304332-0-10	2	vite	screw	vis		
29	302355-0-10	1	vite	screw	vis		
30	704409-0-00	1	rondella	washer	rondelle		
31	307741-0-00	1	attacco griffa	feed dog attachment	raccord griffe		
32	728232-0-00	1	vite	screw	vis		
33	704846-0-00	1	rondella	washer	rondelle		
34	745136-2-00	3	vite	screw	vis		
35	308028-2-00	1	eccentrico con viti	eccentric with screw	excentrique avec vis		
36	301459-4-10	1	giunto compl. per eccentrico	joint assembly for eccentric	joint compl. pour excentrique		
37	301458-0-10	1	giunto	joint	joint		
38	301579-0-10	1	gabbia a rullini	needle cage	cage à aiguille		
39	201143-0-10	2	anello di tenuta	retainer ring	bague d'étanchéité		
40	308736-2-00	2	eccentrico con viti	eccentric with screw	excentrique avec vis		
41	727834-2-00	4	vite	screw	vis		
42	727215-0-00	2	vite	screw	vis		
43	308287-0-00	1	anello di tenuta	retainer ring	bague d'étanchéité		



DESCRIPTION

BENENNING

DESCRIPTION

DESCRIPTION

DESCRIPTION

QUANTITÀ

Part. N. / Part. N. / Part. N. / Part. N.

Fig. N. / Fig. N. / Fig. N. / Fig. N.

Fig. N.	Part. N.	Fig. N.	Part. N.	Fig. N.	Part. N.	Fig. N.	Part. N.
6	30778-2-00	1	grappo porta griffe compl.	1	30778-2-00	1	grappo porta griffe compl.
7	30777-4-00	1	foro file #1	1	30777-4-00	1	foro file #1
8	30784-2-00	1	grappo porta griffe	1	30784-2-00	1	grappo porta griffe
9	30458-4-10	1	grappo leva	1	30458-4-10	1	grappo leva
10	30815-4-00	1	grappo comando crocchia	1	30815-4-00	1	grappo comando crocchia
11	30248-0-10	2	grappo comando testata	1	30248-0-10	2	grappo comando testata
12	30783-2-10	1	leva	1	30783-2-10	1	leva
13	30828-2-02	1	leva	1	30828-2-02	1	leva
14	30829-2-10	1	leva	1	30829-2-10	1	leva
15	30800-0-00	2	leva	1	30800-0-00	2	leva
16	30818-2-00	1	leva	1	30818-2-00	1	leva
17	30710-0-00	1	leva	1	30710-0-00	1	leva
18	30438-0-00	1	leva	1	30438-0-00	1	leva
19	32347-2-00	1	leva	1	32347-2-00	1	leva
20	30038-0-10	3	leva	1	30038-0-10	3	leva
21	17823E-0-00	1	leva	1	17823E-0-00	1	leva
22	30818-0-00	2	leva	1	30818-0-00	2	leva
23	32813-2-00	2	leva	1	32813-2-00	2	leva
24	30819-4-00	1	leva	1	30819-4-00	1	leva
25	30819-0-00	2	leva	1	30819-0-00	2	leva
26	30819-0-10	1	leva	1	30819-0-10	1	leva
27	30819-0-00	3	leva	1	30819-0-00	3	leva
28	30819-0-00	1	leva	1	30819-0-00	1	leva
29	30819-0-00	1	leva	1	30819-0-00	1	leva
30	30819-0-00	1	leva	1	30819-0-00	1	leva
31	30819-0-00	1	leva	1	30819-0-00	1	leva
32	30819-0-00	1	leva	1	30819-0-00	1	leva
33	30819-0-00	1	leva	1	30819-0-00	1	leva
34	30819-0-00	1	leva	1	30819-0-00	1	leva
35	30819-0-00	1	leva	1	30819-0-00	1	leva
36	30819-0-00	1	leva	1	30819-0-00	1	leva
37	30819-0-00	1	leva	1	30819-0-00	1	leva
38	30819-0-00	1	leva	1	30819-0-00	1	leva
39	30819-0-00	1	leva	1	30819-0-00	1	leva
40	30819-0-00	1	leva	1	30819-0-00	1	leva
41	30819-0-00	1	leva	1	30819-0-00	1	leva
42	30819-0-00	1	leva	1	30819-0-00	1	leva
43	30819-0-00	1	leva	1	30819-0-00	1	leva
44	30819-0-00	1	leva	1	30819-0-00	1	leva
45	30819-0-00	1	leva	1	30819-0-00	1	leva
46	30819-0-00	1	leva	1	30819-0-00	1	leva
47	30819-0-00	1	leva	1	30819-0-00	1	leva
48	30819-0-00	1	leva	1	30819-0-00	1	leva
49	30819-0-00	1	leva	1	30819-0-00	1	leva
50	30819-0-00	1	leva	1	30819-0-00	1	leva
51	30819-0-00	1	leva	1	30819-0-00	1	leva
52	30819-0-00	1	leva	1	30819-0-00	1	leva
53	30819-0-00	1	leva	1	30819-0-00	1	leva
54	30819-0-00	1	leva	1	30819-0-00	1	leva

Fig. N. Abb. N.	Part. N. Piece N. Bestell N. Pieza N.	Qt. Anzahl	DESCRIZIONE	DESCRIPTION	DESCRIPTION	BENENNUNG	DESCRIPCION
44	704347-2-00	1	rondeila	washer	rondelle		
45	309839-2-01	1	anello di registro	adjustment ring	bague de réglage		
46	309838-2-01	1	anello di registro	adjustment ring	bague de réglage		
47	304254-3-10	2	giunto completo	joint assembly	joint compl.		
48	304253-0-10	2	giunto	joint	joint		
49	302856-0-10	2	gabbia a rullini	needle cage	cage à aiguille		
50	304255-0-10	4	anello di tenuta	retainer ring	bague d'étanchéité		
51	778216-0-00	2	stoppino	wick	mèche		
52	301519-2-11	1	attacco	pipe union	raccord		
53	304261-0-11	1	attacco tendifilo	thread take-up attachment	raccord tendeur du fil		
54	306453-0-10	1	tendifilo	thread take-up	tendeur du fil		

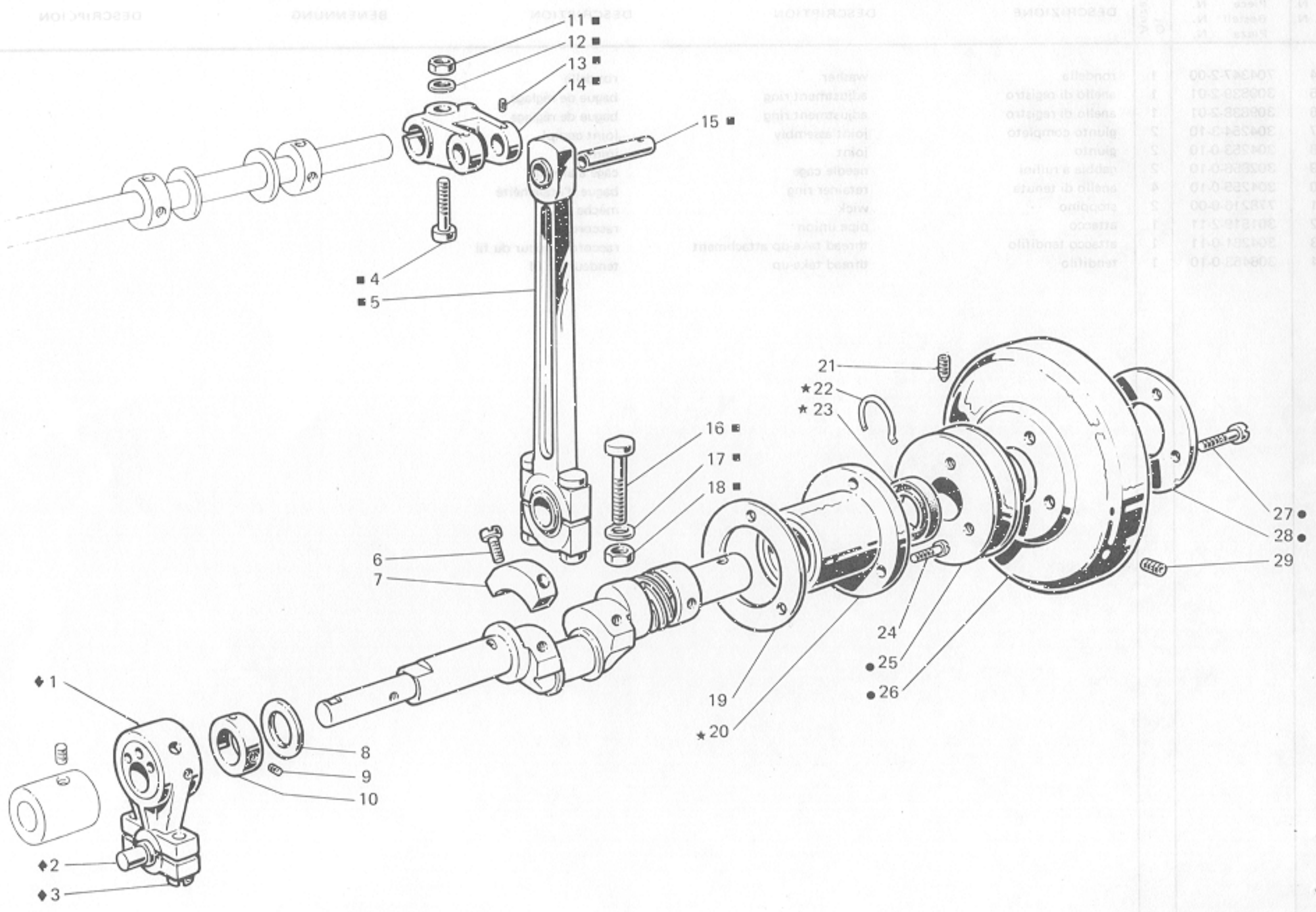
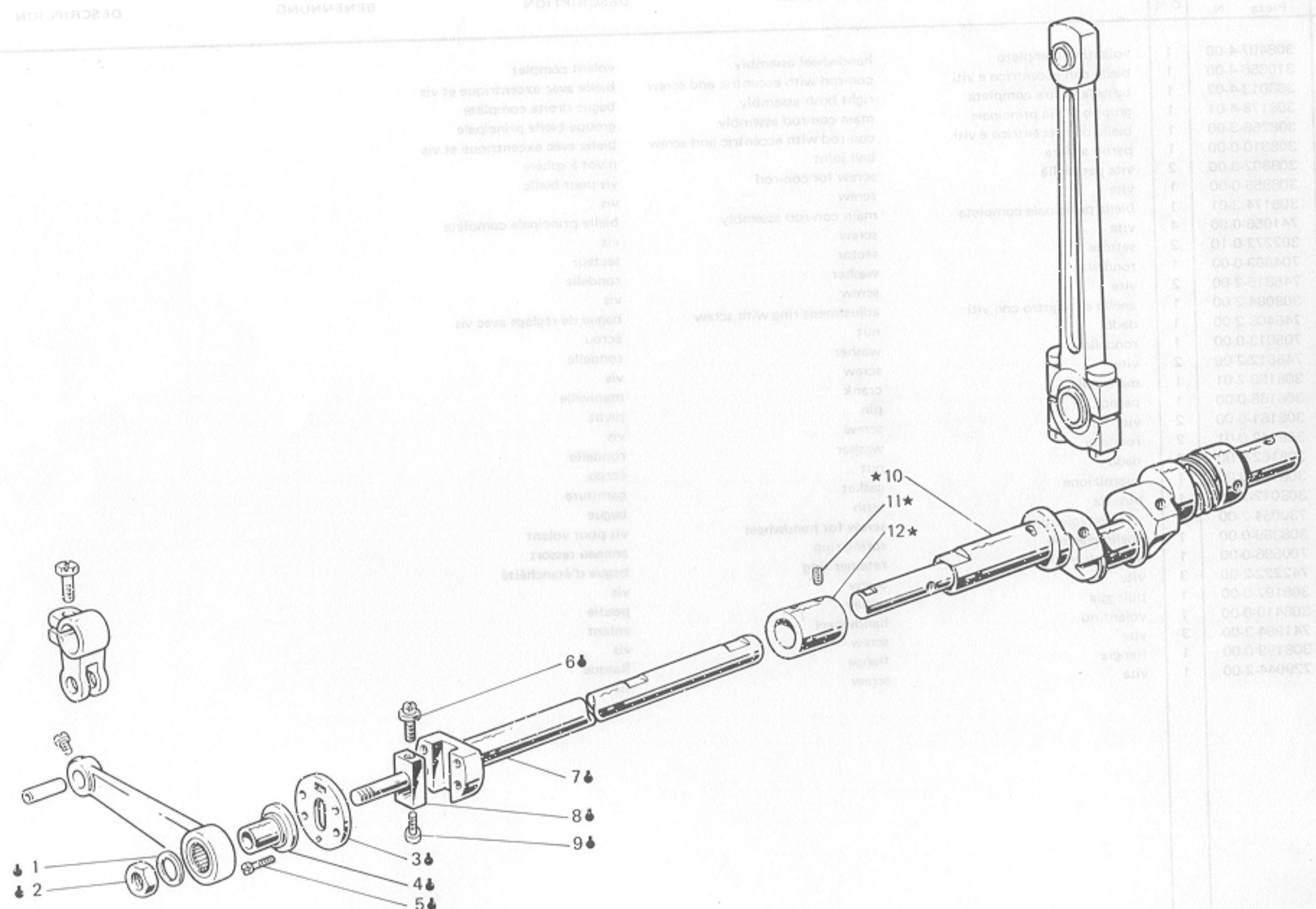


FIG. N.	Part N.	DESCRIPTION	DESCRIZIONE
44	304347-2-00	rodella	rodella
45	304350-2-01	anello di registro	anello di registro
46	304352-2-01	anello di registro	anello di registro
47	304354-2-10	giunto completo	giunto completo
48	304353-0-10	giunto	giunto
49	304356-0-10	capita a ruota	capita a ruota
50	304355-0-10	anello di tenuta	anello di tenuta
51	338210-0-00	scopino	scopino
52	304351-2-11	attacco	attacco
53	304351-0-11	attacco fendifilo	attacco fendifilo
54	304352-0-10	fendifilo	fendifilo

Fig. N. Abb. N.	Part. N. Piece N. Bestell N. Pieza N.	Qt. Anzahl	DESCRIZIONE	DESCRIPTION	DESCRIPTION	BENENNUNG	DESCRIPTION
●	308407-4-00	1	volantino completo	handwheel assembly	volant complet		
◆	310356-4-00	1	biella con eccentrico e viti	con-rod with eccentric and screw	bielle avec excentrique et vis		
★	308013-4-02	1	bussola destra completa	right bush assembly	bague droite complète		
■	308178-4-01	1	gruppo biella principale	main con-rod assembly	groupe bielle principale		
1	308256-3-00	1	biella con eccentrico e viti	con-rod with eccentric and screw	bielle avec excentrique et vis		
2	308310-0-00	1	perno a sfera	ball joint	pivot à sphère		
3	308802-0-00	2	vite per biella	screw for con-rod	vis pour bielle		
4	308855-0-00	1	vite	screw	vis		
5	308174-3-01	1	biella principale completa	main con-rod assembly	bielle principale complète		
6	741056-0-00	4	vite	screw	vis		
7	302272-0-10	2	settoze	sector	secteur		
8	704869-0-00	1	rondella	washer	rondelle		
9	745815-2-00	2	vite	screw	vis		
10	308084-2-00	1	anello di registro con viti	adjustment ring with screw	bague de réglage avec vis		
11	746408-2-00	1	dado	nut	écrou		
12	705013-0-00	1	rondella	washer	rondelle		
13	745812-2-00	2	vite	screw	vis		
14	308159-2-01	1	manovella	crank	manivelle		
15	308166-0-00	1	perno	pin	pivot		
16	308161-0-00	2	vite	screw	vis		
17	308149-0-01	2	rondella	washer	rondelle		
18	308162-0-00	2	dado	nut	écrou		
19	308127-0-00	1	guarnizione	gasket	garniture		
20	308012-2-10	1	bussola	bush	bague		
21	730054-2-00	1	vite per volantino	screw for handwheel	vis pour volant		
22	308389-0-00	1	anello elastico	spring ring	anneau ressort		
23	700596-0-00	1	anello di tenuta	retainer ring	bague d'étanchéité		
24	742222-2-00	3	vite	screw	vis		
25	308197-0-00	1	puleggia	pulley	poulie		
26	308410-0-00	1	volantino	handwheel	volant		
27	741984-2-00	3	vite	screw	vis		
28	308199-0-00	1	flangia	flange	flasque		
29	729044-2-00	1	vite	screw	vis		

Fig. N. Part N.	Descrizione	Q.	Part N. Descrizione	Q.	Fig. N. Part N.	Descrizione
1	vis	1	308107-4-00	1	1	vis
2	vis	1	310522-4-00	1	2	vis
3	vis	1	308013-4-03	1	3	vis
4	vis	1	308178-4-01	1	4	vis
5	vis	1	308252-3-00	1	5	vis
6	vis	1	308310-0-00	1	6	vis
7	vis	1	308802-0-00	2	7	vis
8	vis	1	308852-0-00	1	8	vis
9	vis	1	308174-3-01	1	9	vis
10	vis	4	308102-0-00	4	10	vis
11	vis	3	302372-0-10	3	11	vis
12	vis	1	304529-0-00	1	12	vis
13	vis	2	345215-3-00	2	13	vis
14	vis	1	308084-2-00	1	14	vis
15	vis	1	346402-2-00	1	15	vis
16	vis	1	305013-0-00	1	16	vis
17	vis	2	345212-2-00	2	17	vis
18	vis	1	308122-2-01	1	18	vis
19	vis	1	308122-0-00	1	19	vis
20	vis	2	308121-0-00	2	20	vis
21	vis	2	308121-0-00	2	21	vis
22	vis	1	308071-0-00	1	22	vis
23	vis	1	308322-0-00	1	23	vis
24	vis	3	308187-0-00	3	24	vis
25	vis	1	308410-0-00	1	25	vis
26	vis	3	308184-2-00	3	26	vis
27	vis	1	308129-0-00	1	27	vis
28	vis	1	328044-3-00	1	28	vis



DESCRIPTION

DESCRIPTION

DESCRIPTION

DESCRIPTION

DESCRIPTION

DESCRIPTION

DESCRIPTION

DESCRIPTION

DESCRIPTION

DESCRIPTION

DESCRIPTION

DESCRIPTION

DESCRIPTION

DESCRIPTION

DESCRIPTION

DESCRIPTION

DESCRIPTION

DESCRIPTION

DESCRIPTION

DESCRIPTION

DESCRIPTION

DESCRIPTION

DESCRIPTION

DESCRIPTION

DESCRIPTION

DESCRIPTION

DESCRIPTION

DESCRIPTION

DESCRIPTION

DESCRIPTION

DESCRIPTION

DESCRIPTION

DESCRIPTION

DESCRIPTION

DESCRIPTION

DESCRIPTION

DESCRIPTION

DESCRIPTION

DESCRIPTION

DESCRIPTION

DESCRIPTION

DESCRIPTION

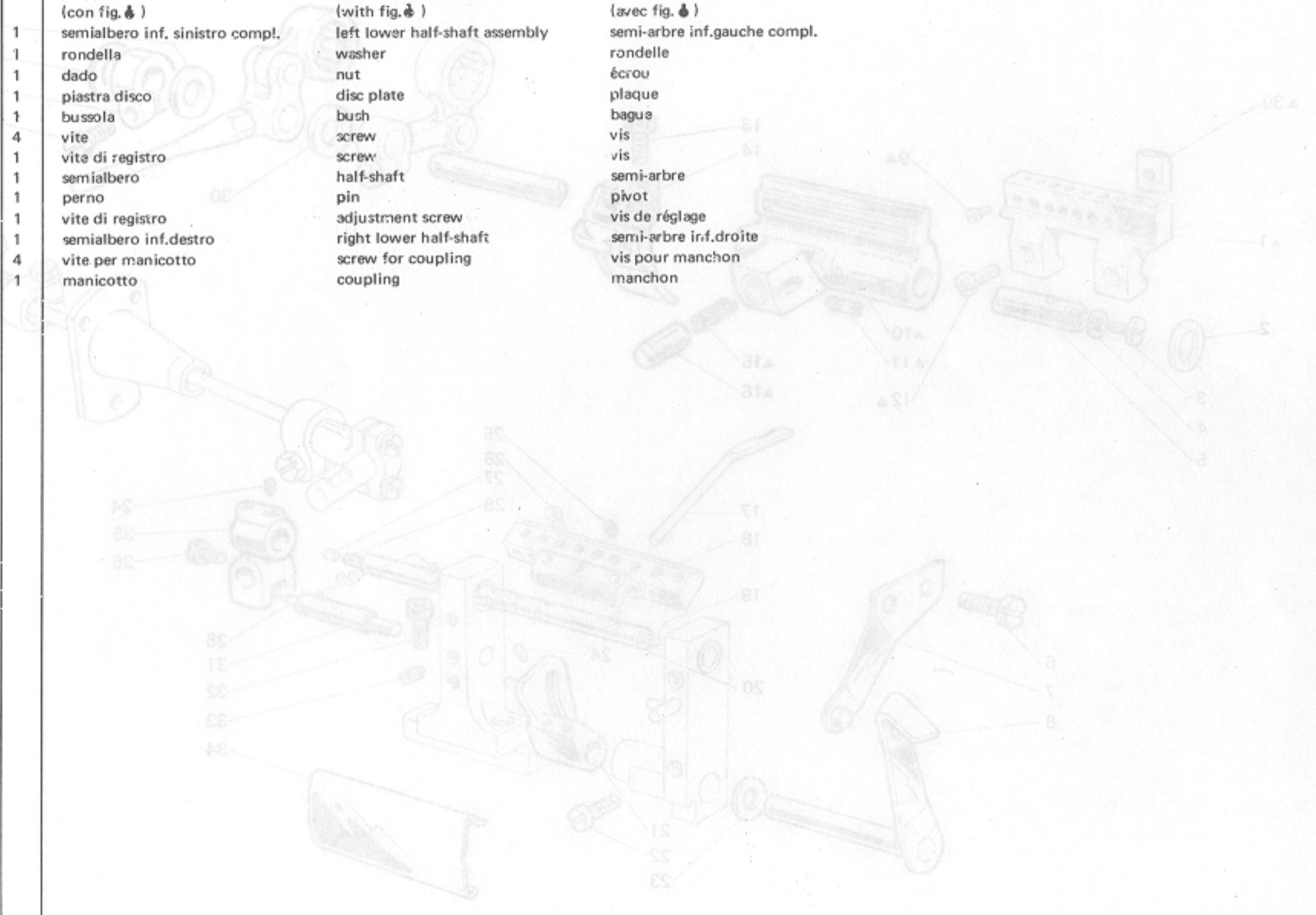
DESCRIPTION

DESCRIPTION

DESCRIPTION

DESCRIPTION

Fig. N. Abb. N.	Part. N. Bestell N. Piece N. Pieza N.	Qt. Anzahl	DESCRIZIONE	DESCRIPTION	DESCRIPTION	BENENNUNG	DESCRIPCION
★	309703-4-01	1	gruppo albero inf.compl. (con fig. 6 )	lower shaft assembly (with fig. 6 )	arbre inférieur complet (avec fig. 6 )		
6	308357-4-01	1	semialbero inf. sinistro compl.	left lower half-shaft assembly	semi-arbre inf.gauche compl.		
1	704814-0-00	1	rondella	washer	rondelle		
2	746612-2-00	1	dado	nut	écrou		
3	308774-2-00	1	piastra disco	disc plate	plaque		
4	303458-0-12	1	bussola	bush	bague		
5	724441-0-00	4	vite	screw	vis		
6	308281-0-00	1	vite di registro	screw	vis		
7	308380-2-01	1	semialbero	half-shaft	semi-arbre		
8	308278-0-01	1	perno	pin	pivot		
9	308780-2-00	1	vite di registro	adjustment screw	vis de réglage		
10	308714-3-01	1	semialbero inf.destro	right lower half-shaft	semi-arbre inf.droite		
11	745827-2-00	4	vite per manicotto	screw for coupling	vis pour manchon		
12	308015-0-00	1	manicotto	coupling	manchon		





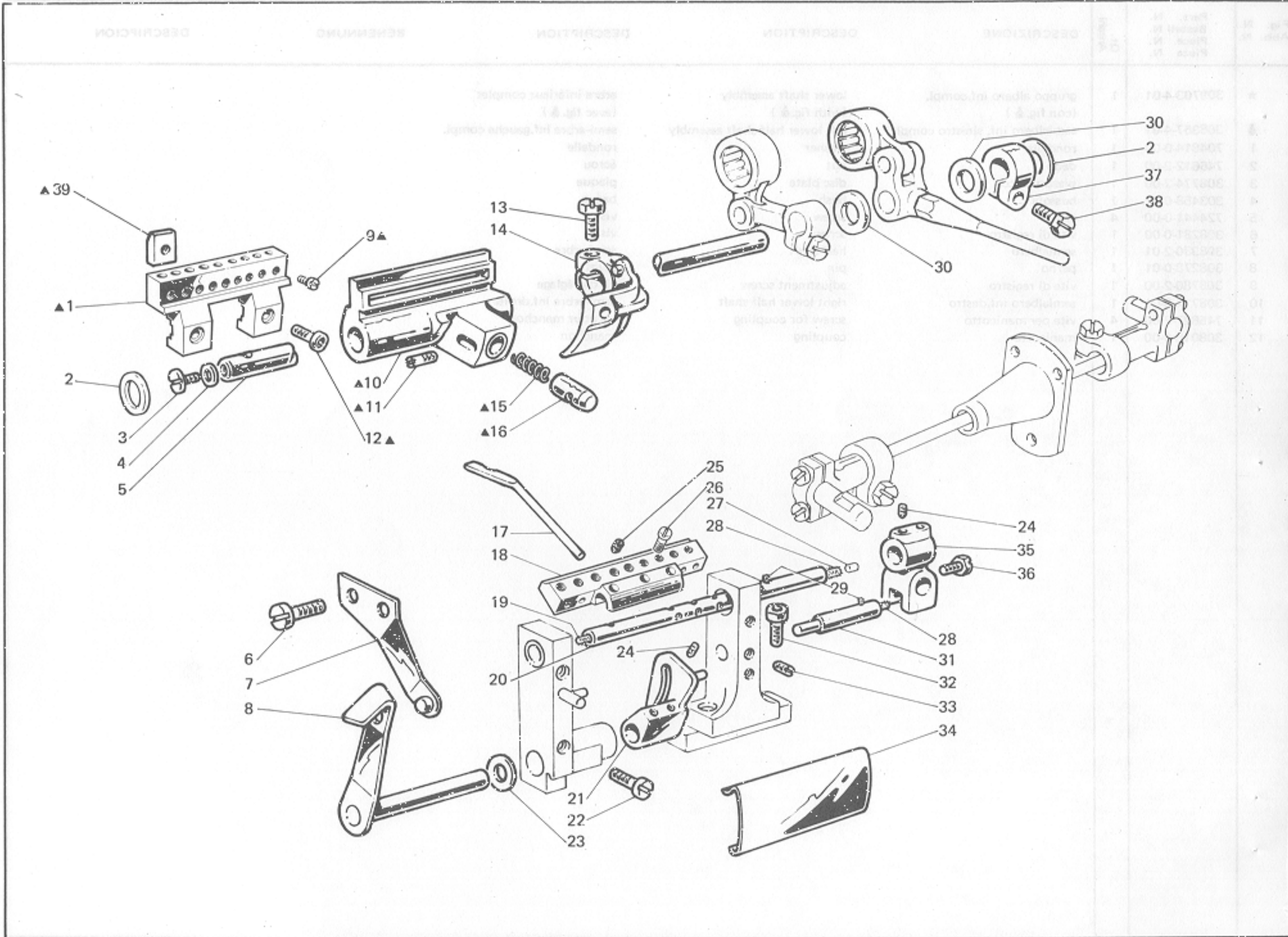
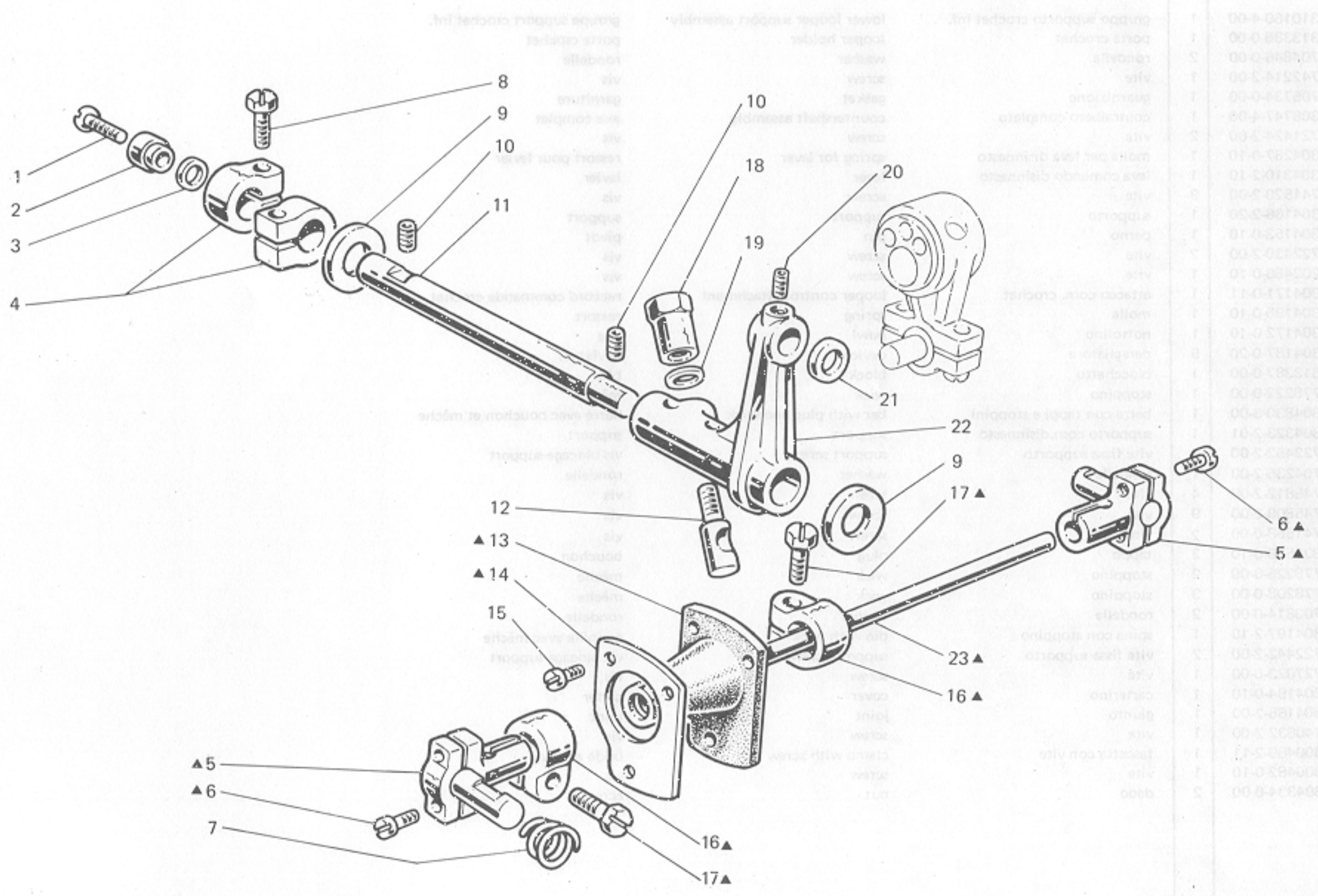


Fig. N. Abb. N.	Part. N. Bestell N. Piece N. Pieza N.	Qt. Anzahl	DESCRIZIONE	DESCRIPTION	DESCRIPTION	BENENNUNG	DESCRIPCION
▲	310160-4-00	1	gruppo supporto crochet inf.	lower looper support assembly	groupe support crochet inf.		
1	313388-0-00	1	porta crochet	looper holder	porte crochet		
2	704846-0-00	2	rondella	washer	rondelle		
3	742214-2-00	1	vite	screw	vis		
4	705734-0-00	1	guarnizione	gasket	garnitura		
5	308747-4-00	1	contralbero completo	countershaft assembly	axe complet		
6	721424-2-00	2	vite	screw	vis		
7	304287-0-10	1	molla per leva disinnesto	spring for lever	ressort pour levier		
8	304310-2-10	1	leva comando disinnesto	lever	levier		
9	741520-2-00	9	vite	screw	vis		
10	304166-2-20	1	supporto	support	support		
11	304153-0-10	1	perno	pin	pivot		
12	722430-2-00	2	vite	screw	vis		
13	202486-0-10	1	vite	screw	vis		
14	304171-0-11	1	attacco com. crochet	looper control attachment	raccord commande crochet		
15	304195-0-10	1	molla	spring	ressort		
16	304172-0-10	1	nottolino	powl	axe		
17	304187-0-20	9	deragliatore	device	déviateur		
18	313387-0-00	1	blocchetto	block	bloc		
19	778222-0-00	1	stoppino	wick	mèche		
20	304830-3-00	1	barra con tappi e stoppini	bar with piug and wick	barre avec bouchon et mèche		
21	304323-2-01	1	supporto com. disinnesto	support	support		
22	722452-2-00	2	vite fissa supporto	support screw	vis blocage support		
23	704236-2-00	1	rondella	washer	rondelle		
24	745812-2-00	4	vite	screw	vis		
25	745800-2-00	9	vite	screw	vis		
26	741558-0-00	2	vite	screw	vis		
27	301586-0-10	2	tappo	plug	bouchon		
28	778225-0-00	2	stoppino	wick	mèche		
29	778208-0-00	3	stoppino	wick	mèche		
30	703814-0-00	2	rondella	washer	rondelle		
31	304197-2-10	1	spina con stoppino	pin with wick	goupille avec mèche		
32	722442-2-00	2	vite fissa supporto	support screw	vis blocage support		
33	727023-0-00	1	vite	screw	vis		
34	304194-0-10	1	carterino	cover	carter		
35	304185-2-00	1	giunto	joint	joint		
36	740632-2-00	1	vite	screw	vis		
37	300469-2-11	1	fascetta con vite	clamp with screw	bride avec vis		
38	300482-0-10	1	vite	screw	vis		
39	304394-0-00	2	dado	nut	écrou		

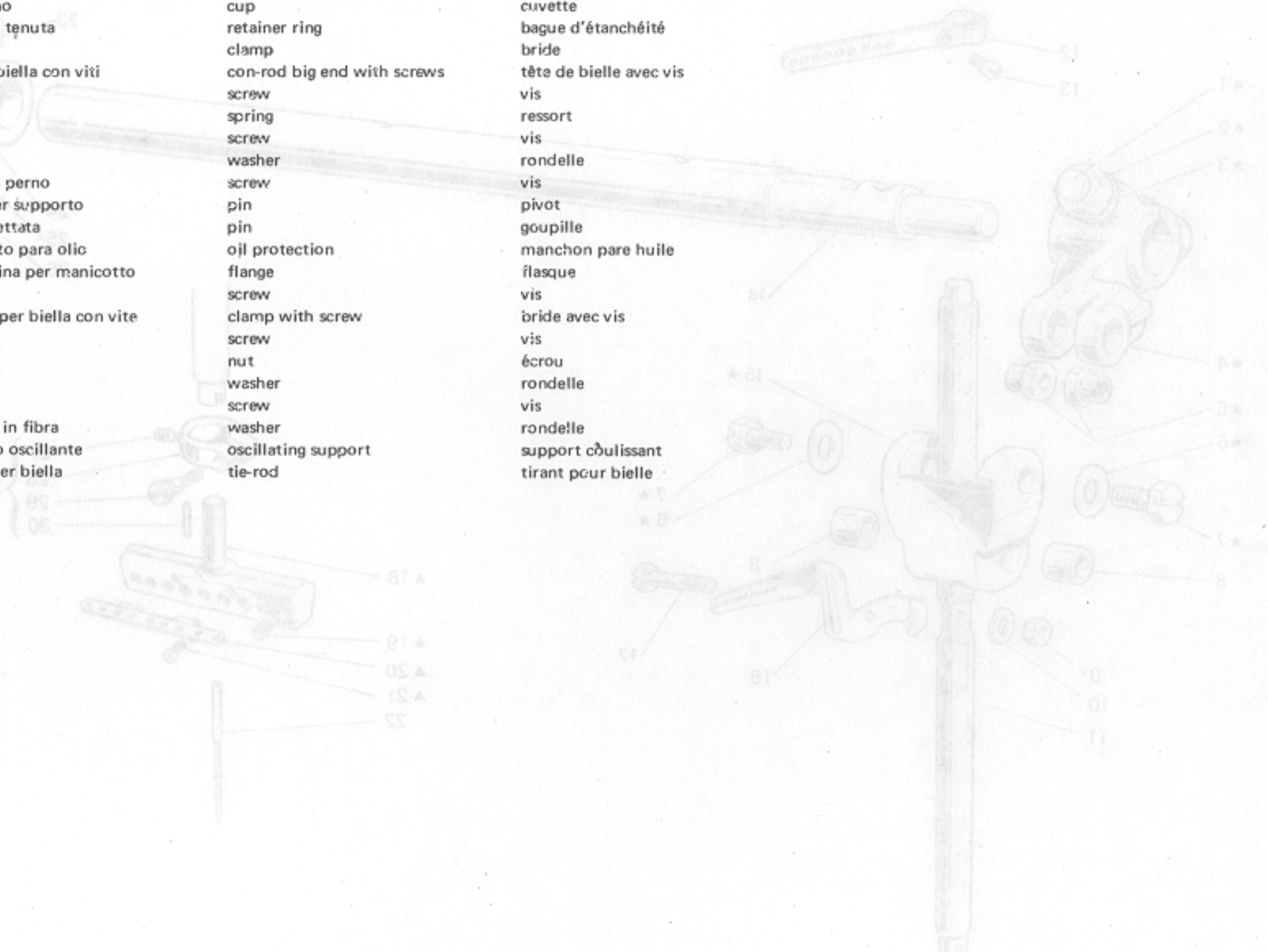
Q.T.	DESCRIZIONE	DESCRIPTION	DESCRIPTION	DESCRIPTION	Q.T.	Part. No.	Part. No.	Part. No.
------	-------------	-------------	-------------	-------------	------	-----------	-----------	-----------



1	gruppo supporto crociera inf.	lower lower support assembly	gruppo supporto crociera inf.	gruppo supporto crociera inf.	1	304100-4-00	304100-4-00	304100-4-00
1	porta crociera	lower holder	porta crociera	porta crociera	1	313308-0-00	313308-0-00	313308-0-00
2	rotella	roller	rotella	rotella	2	304084-0-00	304084-0-00	304084-0-00
3	vite	screw	vite	vite	1	304214-2-00	304214-2-00	304214-2-00
4	geometria	part set	geometria	geometria	1	304100-0-00	304100-0-00	304100-0-00
5	contropiede assenti	counterweight assembly	contropiede assenti	contropiede assenti	1	304141-4-08	304141-4-08	304141-4-08
6	vite	screw	vite	vite	2	304124-2-00	304124-2-00	304124-2-00
7	rotella per leva	roller for lever	rotella per leva	rotella per leva	1	304087-0-10	304087-0-10	304087-0-10
8	leva	lever	leva	leva comando diavetro	1	304100-2-10	304100-2-10	304100-2-10
9	vite	screw	vite	vite	2	304120-2-00	304120-2-00	304120-2-00
10	supporto	support	supporto	supporto	1	304108-2-00	304108-2-00	304108-2-00
11	gioco	part	gioco	gioco	1	304100-0-10	304100-0-10	304100-0-10
12	vite	screw	vite	vite	1	304100-0-10	304100-0-10	304100-0-10
13	rotella	roller	rotella	rotella	1	304100-0-10	304100-0-10	304100-0-10
14	rotella	roller	rotella	rotella	1	304100-0-10	304100-0-10	304100-0-10
15	rotella	roller	rotella	rotella	1	304100-0-10	304100-0-10	304100-0-10
16	rotella	roller	rotella	rotella	1	304100-0-10	304100-0-10	304100-0-10
17	rotella	roller	rotella	rotella	1	304100-0-10	304100-0-10	304100-0-10
18	rotella	roller	rotella	rotella	1	304100-0-10	304100-0-10	304100-0-10
19	rotella	roller	rotella	rotella	1	304100-0-10	304100-0-10	304100-0-10
20	rotella	roller	rotella	rotella	1	304100-0-10	304100-0-10	304100-0-10
21	rotella	roller	rotella	rotella	1	304100-0-10	304100-0-10	304100-0-10
22	rotella	roller	rotella	rotella	1	304100-0-10	304100-0-10	304100-0-10
23	rotella	roller	rotella	rotella	1	304100-0-10	304100-0-10	304100-0-10

Fig. N. Abb. N.	Part. N. Piece N. Bestell N. Pieza N.	Qt. Anzahl	DESCRIZIONE	DESCRIPTION	DESCRIPTION	BENENNUNG	DESCRIPTION
★	308612-3-20	1	base e braccio con bussola	base and arm with bush	base et bras avec bague		
1	706454-0-00	2	spina	pin	goupille		
2	308859-2-00	1	supporto con bussola fig. 9	support with bush fig. 9	support avec bague fig. 9		
3	722084-2-00	4	vite	screw	vis		
4	307664-0-00	1	boccola a rullini	bearing	roulement		
5	706285-0-00	1	spina	pin	goupille		
6	202398-0-10	1	tappo	plug	bouchon		
7	308032-0-00	1	bussola	bush	bague		
8	308215-0-00	1	protezione olio	oil protection	protection huile		
9	308858-0-00	1	bussola	bush	bague		
10	308737-0-00	1	bussola	bush	bague		
11	308218-0-00	1	scodellino inferiore	lower cup	cuvette inférieure		
12	308296-0-00	2	bussola	bush	bague		
13	308293-0-02	1	bussola	bush	bague		
14	308733-0-00	1	bussola	bush	bague		
15	721444-2-00	1	vite	screw	vis		
16	306138-0-12	1	carter paraolio	oil retainer cover	carter protection huile		
17	308094-0-00	1	tappo foro bussola	plug	bouchon		
18	308031-0-00	1	bussola	bush	bague		
19	307739-0-00	1	boccola a rullini	bearing	roulement		
20	303501-0-10	1	tappo per foro tendifilo	plug	bouchon		
21	308852-0-01	1	bussola	bush	bague		
22	729032-2-00	1	vite	screw	vis		
23	308086-0-11	1	bussola	bush	bague		
24	308009-0-00	1	bussola	bush	bague		
25	308297-0-00	1	bussola	bush	bague		
26	302356-0-10	1	tappo	plug	bouchon		
27	308853-0-01	2	bussola	bush	bague		

Fig. N. Abb. N.	Part. N. Bestell N. Pieze N.	Qt. Anzahl	DESCRIZIONE	DESCRIPTION	DESCRIPTION	BENENNUNG	DESCRIPCION
▲	308732-4-00	1	gruppo comando crochet inf.	lower looper control assembly	groupe com.crochet inférieur		
1	744676-2-00	1	vite	screw	vis		
2	308047-0-00	1	scodellino	cup	cuvette		
3	701009-0-00	1	anello di tenuta	retainer ring	bague d'étanchéité		
4	308046-2-01	2	fascetta	clamp	bride		
5	308325-3-00	2	testa di biella con viti	con-rod big end with screws	tête de bielle avec vis		
6	744040-2-00	4	vite	screw	vis		
7	302289-0-10	1	molla	spring	ressort		
8	300482-0-10	2	vite	screw	vis		
9	704849-0-00	2	rondella	washer	rondelle		
10	729434-2-00	2	vite fissa perno	screw	vis		
11	308044-0-00	1	perno per supporto	pin	pivot		
12	300352-0-10	1	spina filettata	pin	goupille		
13	308731-3-00	1	manicotto para olio	oil protection	manchon pare huile		
14	308327-0-00	1	mascherina per manicotto	flange	flasque		
15	741675-2-00	3	vite	screw	vis		
16	308326-2-01	2	fascetta per biella con vite	clamp with screw	bride avec vis		
17	305194-0-00	2	vite	screw	vis		
18	300351-0-11	1	dado	nut	écrou		
19	704309-4-00	1	rondella	washer	rondelle		
20	745815-2-00	1	vite	screw	vis		
21	705834-0-00	1	rondella in fibra	washer	rondelle		
22	308045-0-01	1	supporto oscillante	oscillating support	support coulissant		
23	308335-0-01	1	tirante per biella	tie-rod	tirant pour bielle		



DESCRIPTION

BENENNUNG

DESCRIPTION

DESCRIPTION

DESCRIZIONE

Q.tà	Part. N. Descriz. N. Class. N. Pezza N.	Q.tà	Part. N. Descriz. N. Class. N. Pezza N.
1	30833-0-00	1	30833-0-01
1	30833-0-01	1	30833-0-02
1	30833-0-03	1	30833-0-04
1	30833-0-05	1	30833-0-06
1	30833-0-07	1	30833-0-08
1	30833-0-09	1	30833-0-10
1	30833-0-11	1	30833-0-12
1	30833-0-13	1	30833-0-14
1	30833-0-15	1	30833-0-16
1	30833-0-17	1	30833-0-18
1	30833-0-19	1	30833-0-20
1	30833-0-21	1	30833-0-22
1	30833-0-23	1	30833-0-24
1	30833-0-25	1	30833-0-26
1	30833-0-27	1	30833-0-28
1	30833-0-29	1	30833-0-30
1	30833-0-31	1	30833-0-32
1	30833-0-33	1	30833-0-34
1	30833-0-35	1	30833-0-36
1	30833-0-37	1	30833-0-38
1	30833-0-39	1	30833-0-40
1	30833-0-41	1	30833-0-42
1	30833-0-43	1	30833-0-44
1	30833-0-45	1	30833-0-46
1	30833-0-47	1	30833-0-48
1	30833-0-49	1	30833-0-50
1	30833-0-51	1	30833-0-52
1	30833-0-53	1	30833-0-54
1	30833-0-55	1	30833-0-56
1	30833-0-57	1	30833-0-58
1	30833-0-59	1	30833-0-60
1	30833-0-61	1	30833-0-62
1	30833-0-63	1	30833-0-64
1	30833-0-65	1	30833-0-66
1	30833-0-67	1	30833-0-68
1	30833-0-69	1	30833-0-70
1	30833-0-71	1	30833-0-72
1	30833-0-73	1	30833-0-74
1	30833-0-75	1	30833-0-76
1	30833-0-77	1	30833-0-78
1	30833-0-79	1	30833-0-80
1	30833-0-81	1	30833-0-82
1	30833-0-83	1	30833-0-84
1	30833-0-85	1	30833-0-86
1	30833-0-87	1	30833-0-88
1	30833-0-89	1	30833-0-90
1	30833-0-91	1	30833-0-92
1	30833-0-93	1	30833-0-94
1	30833-0-95	1	30833-0-96
1	30833-0-97	1	30833-0-98
1	30833-0-99	1	30833-0-100

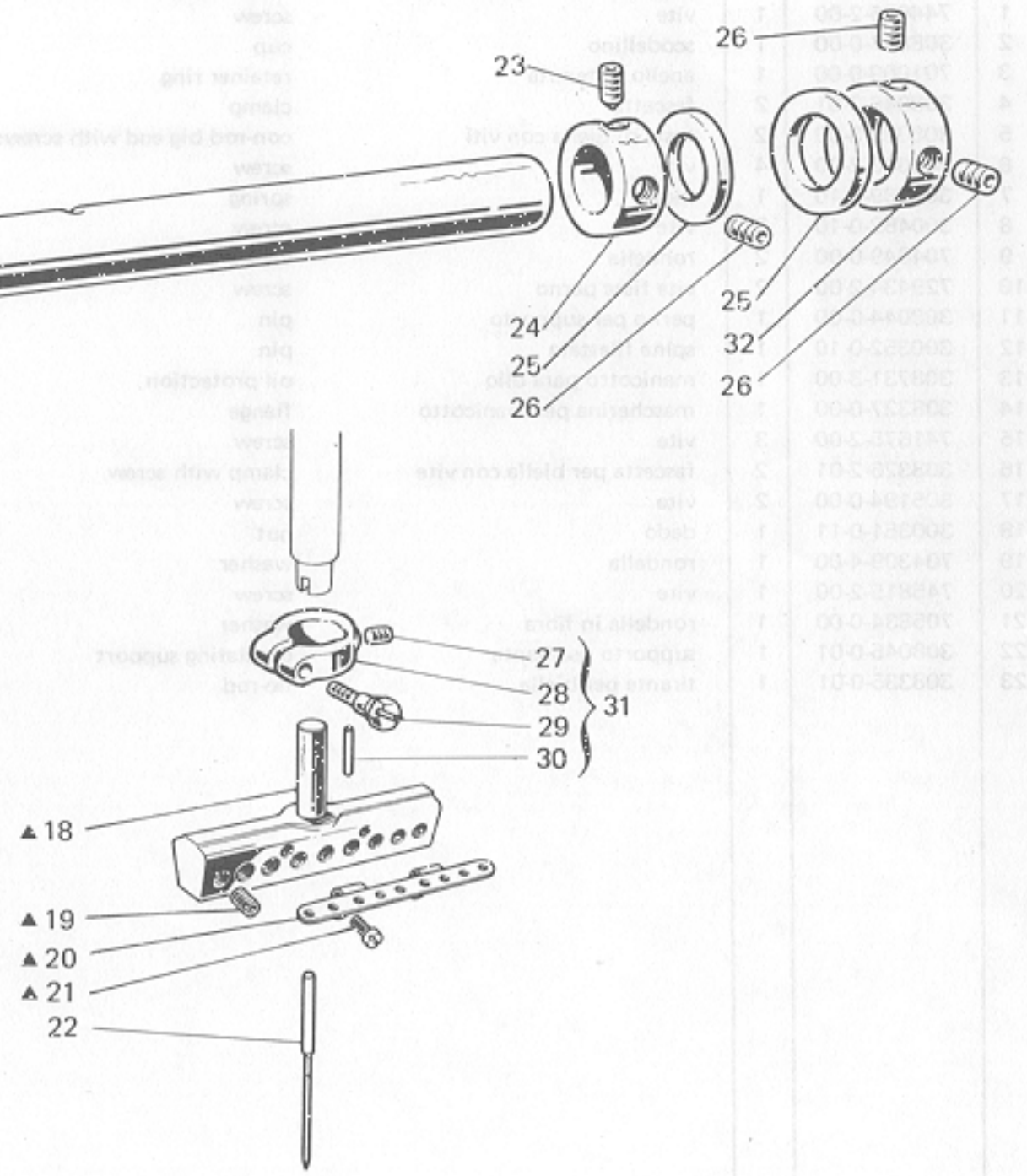
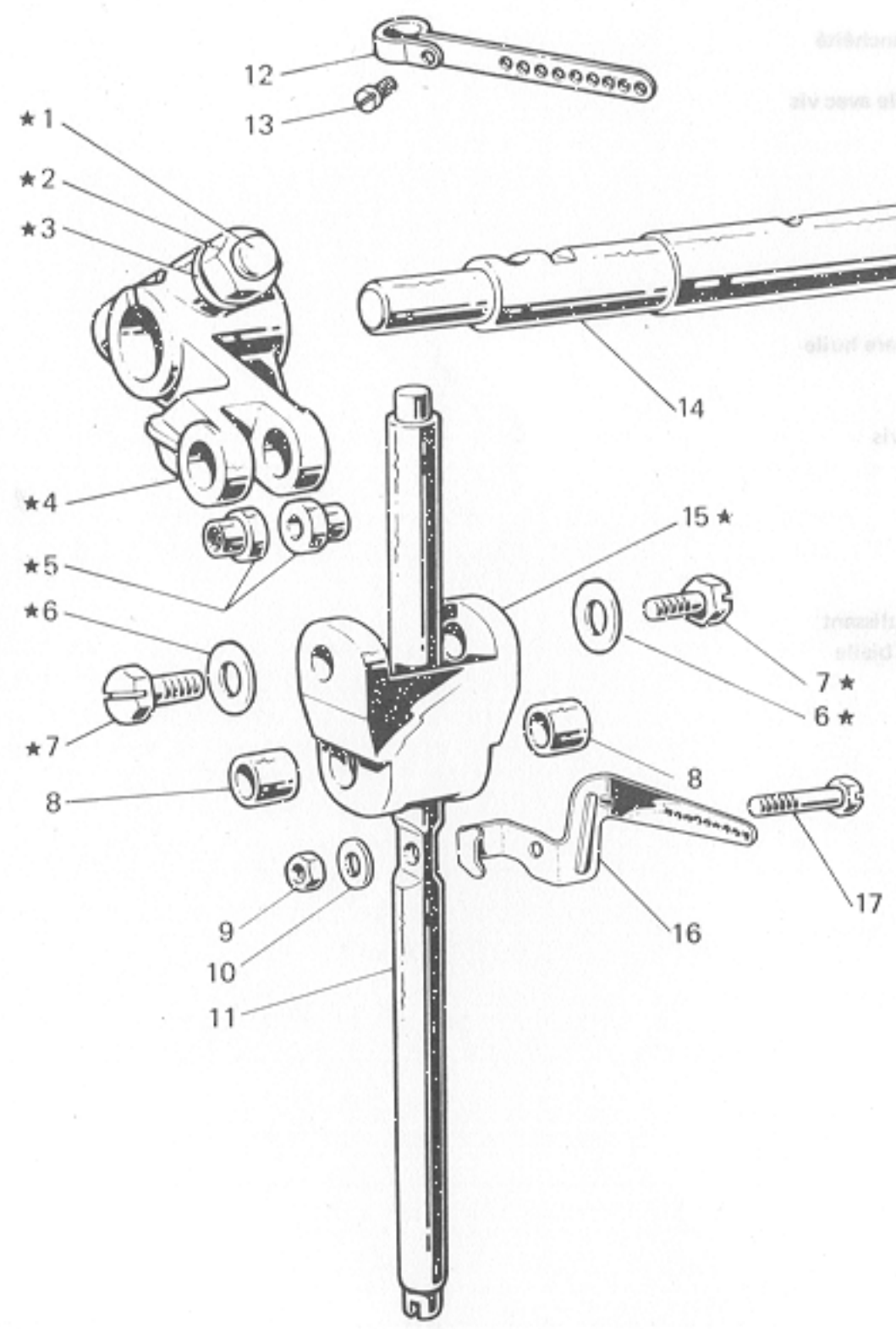
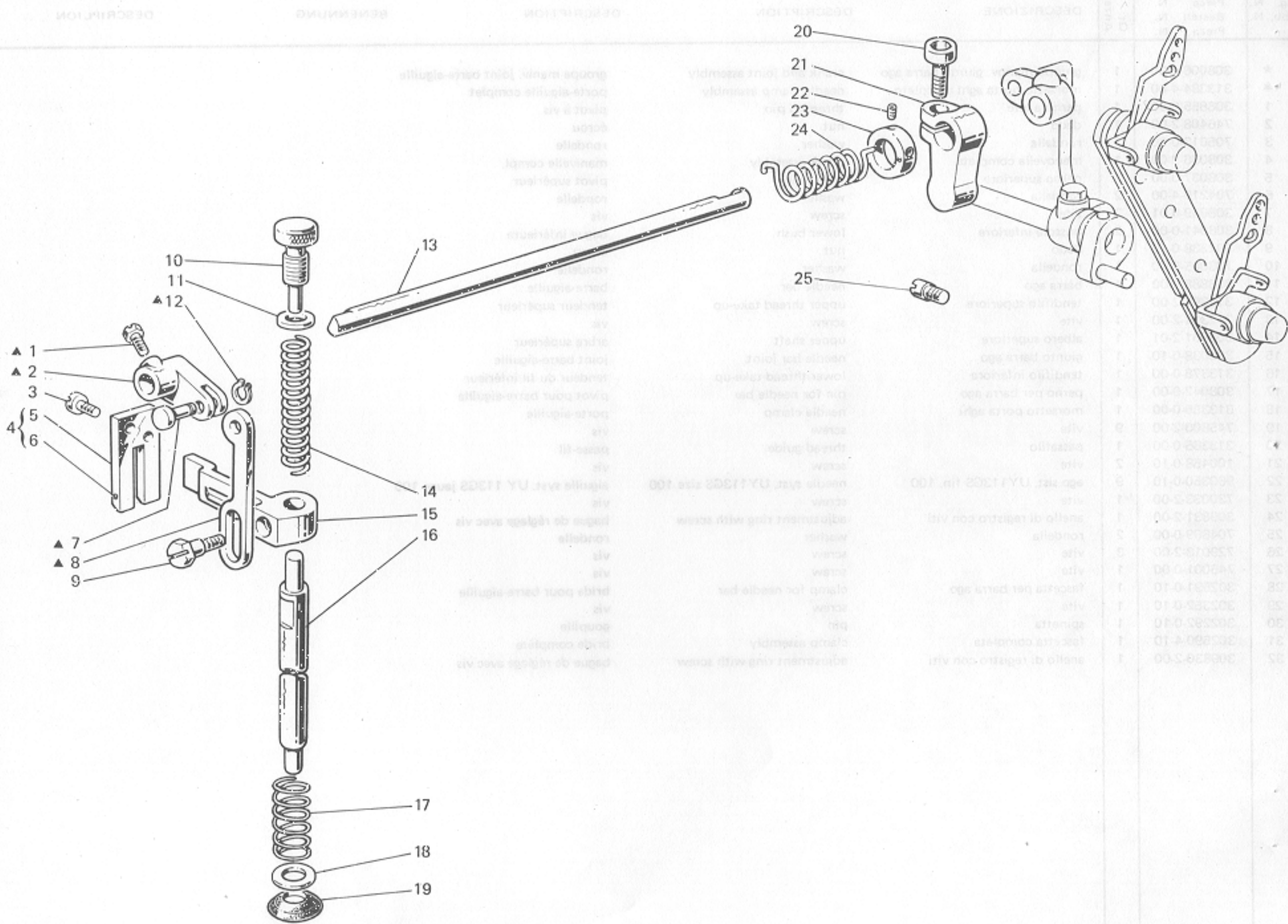


Fig. N. Abb. N.	Part. N. Piece N. Bestel! N. Pieza N.	Qt. Anzahl	DESCRIZIONE	DESCRIPTION	DESCRIPTION	BENENNUNG	DESCRIPTION
★	308006-4-00	1	gruppo manov. giunto barra ago	crank and joint assembly	groupe maniv. joint barre-aiguille		
▲	313384-4-00	1	morsetto porta aghi completo	needle clamp assembly	porte-aiguille complet		
1	308855-0-00	1	perno a vite	threaded pin	pivot à vis		
2	746402-2-00	1	dado	nut	écrou		
3	705013-0-00	1	rondella	washer	rondelle		
4	308036-2-00	1	manovella completa	crank assembly	manivelle compl.		
5	308037-0-00	2	perno superiore	upper pin	pivot supérieur		
6	704210-4-00	2	rondella	washer	rondelle		
7	308039-0-01	2	vite	screw	vis		
8	308041-0-00	2	bussola inferiore	lower bush	bague inférieure		
9	302338-0-10	1	dado	nut	écrou		
10	703005-0-00	1	rondella	washer	rondelle		
11	308989-0-00	1	barra ago	needle bar	barre-aiguille		
12	313391-2-00	1	tendifilo superiore	upper thread take-up	tendeur supérieur		
13	742311-2-00	1	vite	screw	vis		
14	308851-2-01	1	albero superiore	upper shaft	arbre supérieur		
15	308038-0-10	1	giunto barra ago	needle bar joint	joint barre-aiguille		
16	313378-0-00	1	tendifilo inferiore	lower thread take-up	tendeur du fil inférieur		
17	308042-0-00	1	perno per barra ago	pin for needle bar	pivot pour barre-aiguille		
18	313385-0-00	1	morsetto porta aghi	needle clamp	porte-aiguille		
19	745300-2-00	9	vite	screw	vis		
20	313326-0-00	1	passafilo	thread guide	passe-fil		
21	100456-0-10	2	vite	screw	vis		
22	960350-0-10	9	ago sist. UY113GS fin. 100	needle syst. UY113GS size 100	aiguille syst. UY 113GS jauge 100		
23	730033-2-00	1	vite	screw	vis		
24	309831-2-00	1	anello di registro con viti	adjustment ring with screw	bage de réglage avec vis		
25	704869-0-00	2	rondella	washer	rondelle		
26	729013-2-00	3	vite	screw	vis		
27	745001-0-00	1	vite	screw	vis		
28	302591-0-10	1	fascetta per barra ago	clamp for needle bar	bride pour barre-aiguille		
29	302352-0-10	1	vite	screw	vis		
30	302292-0-10	1	spinetta	pin	goupille		
31	302590-4-10	1	fascetta completa	clamp assembly	bride complète		
32	309830-2-00	1	anello di registro con viti	adjustment ring with screw	bage de réglage avec vis		



DESCRIPTION

DESCRIPTION

DESCRIPTION

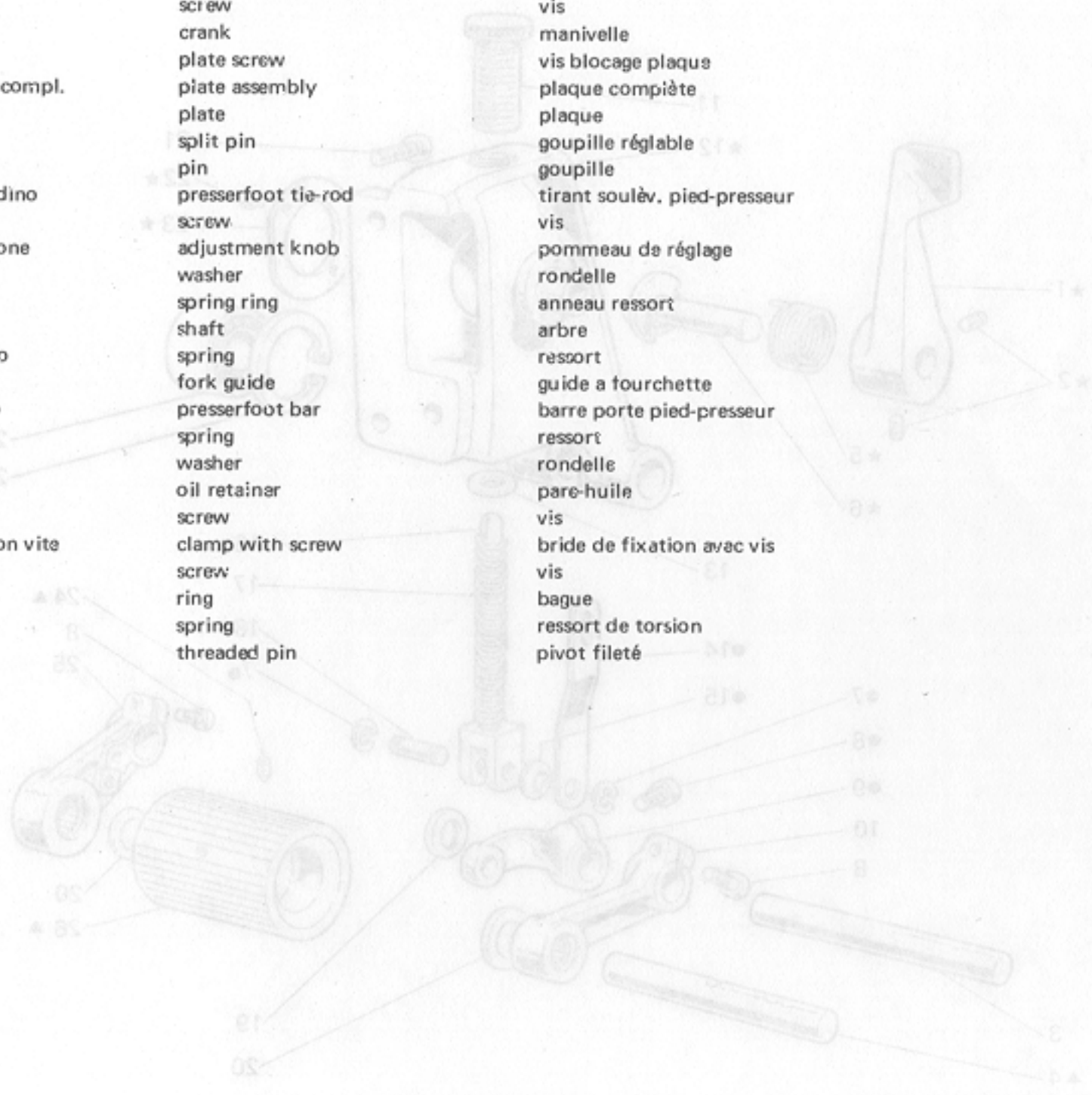
DESCRIPTION

DESCRIPTION

QTY	REF	DESCRIPTION	UNIT
1	1	needle	1
1	2	needle holder	1
1	3	needle clamp	1
1	4	needle clamp	1
1	5	needle clamp	1
1	6	needle clamp	1
1	7	screw	1
1	8	washer	1
1	9	screw	1
1	10	screw	1
1	11	washer	1
1	12	screw	1
1	13	needle	1
1	14	needle holder	1
1	15	needle clamp	1
1	16	needle clamp	1
1	17	spring	1
1	18	washer	1
1	19	washer	1
1	20	spring	1
1	21	needle holder	1
1	22	needle clamp	1
1	23	needle clamp	1
1	24	needle clamp	1
1	25	screw	1



Fig. N. Abb. N.	Part. N. Piece N. Bestell N. Pieza N.	Qt. Anzahl	DESCRIZIONE	DESCRIPTION	DESCRIPTION	BENENNUNG	DESCRIPCION
▲	308060-4-00	1	gruppo manov.tirante premist.	presser crank assembly	groupe maniv. tirant presseur		
1	740632-2-00	1	vite	screw	vis		
2	308059-0-00	1	manovella	crank	manivelle		
3	721494-2-00	2	vite fissa piastra	plate screw	vis blocage plaque		
4	308052-4-00	1	piastra guida barra compl.	plate assembly	plaque complète		
5	308056-0-01	1	piastra guida barra	plate	plaque		
6	707240-0-00	1	spina elastica	split pin	goupille réglable		
7	308058-0-00	1	spina	pin	goupille		
8	308057-0-00	1	tirante per alza piedino	presserfoot tie-rod	tirant soulèv. pied-presseur		
9	740444-2-00	1	vite fissa slitta	screw	vis		
10	302060-0-11	1	pemolo di regolazione	adjustment knob	pommeau de réglage		
11	302344-0-10	1	rondella	washer	rondelle		
12	700205-0-00	1	anello elastico	spring ring	anneau ressort		
13	302234-0-10	1	albero	shaft	arbre		
14	302059-0-10	1	molla premi piedino	spring	ressort		
15	308055-2-00	1	guida a forcella	fork guide	guide a fourchette		
16	308061-0-01	1	barra porta piedino	presserfoot bar	barre porte pied-presseur		
17	308148-0-00	1	molla	spring	ressort		
18	704236-2-00	1	rondella	washer	rondelle		
19	308054-0-01	1	paraolio	oil retainer	pare-huile		
20	744332-2-00	1	vite	screw	vis		
21	308412-2-02	1	fascetta di fermo con vite	clamp with screw	bride de fixation avec vis		
22	745827-2-00	2	vite	screw	vis		
23	304767-2-10	1	anello per molla	ring	bague		
24	308098-0-00	1	molla di torsione	spring	ressort de torsion		
25	308007-0-00	1	perno filettato	threaded pin	pivot fileté		



DESCRIPTION

BENENNUNG

DESCRIPTION

DESCRIPTION

DESCRIZIONE

QTY

Part. N.  
Descr. N.  
Part. N.

Fig. N.  
Descr. N.  
Fig. N.

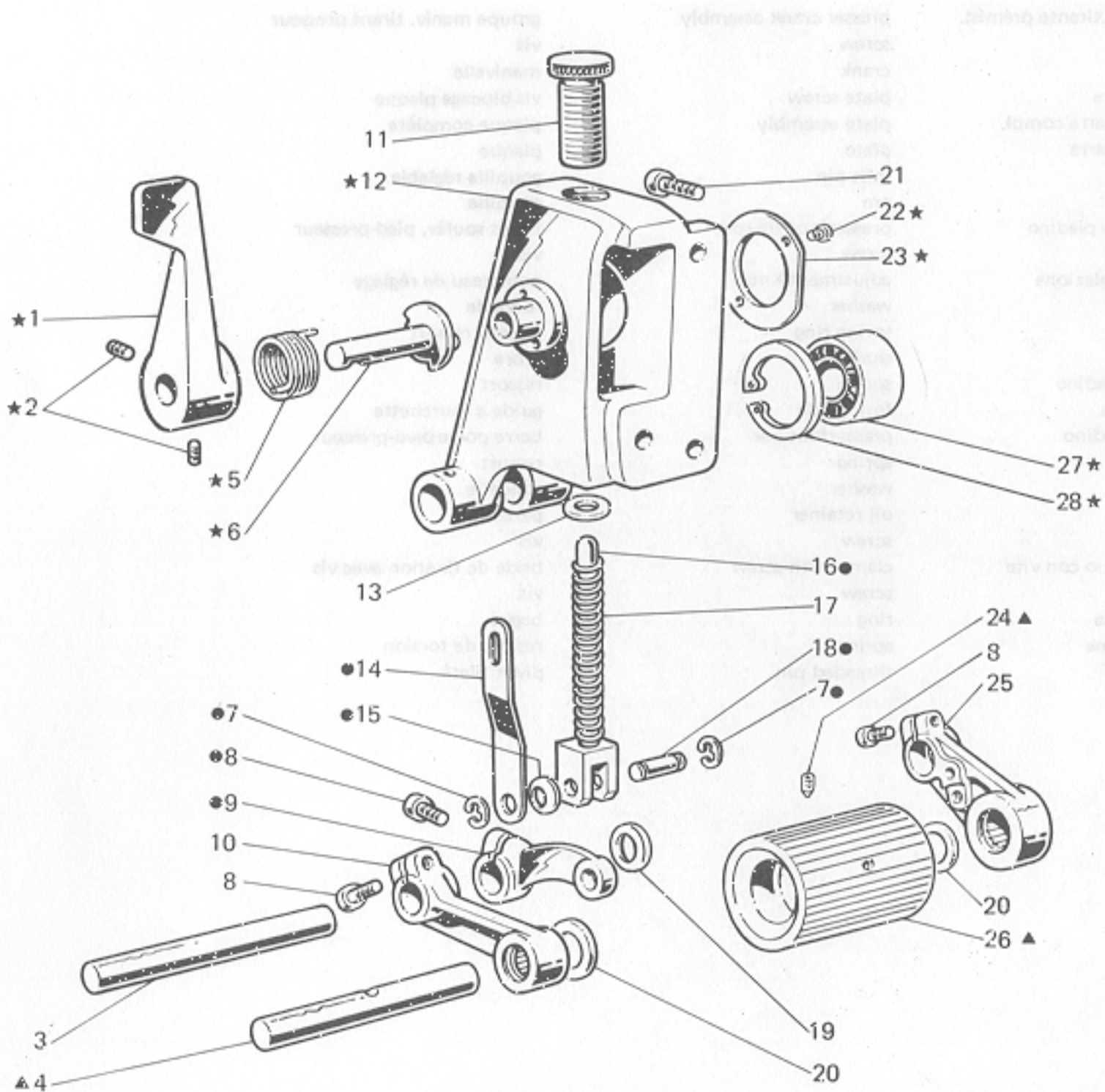


Fig. N.	Descr. N.	Fig. N.	Part. N.	Descr. N.	Part. N.
4	30000-4-00	1	30000-4-00	Gruppo movimento giranti	1
1	30000-1-00	1	30000-1-00	vitte	1
2	30000-2-00	1	30000-2-00	perno	1
3	30000-3-00	2	30000-3-00	vitte fissi giranti	2
4	30000-4-00	1	30000-4-00	gruppo guida barre comol.	1
5	30000-5-00	1	30000-5-00	perno guida barre	1
6	30000-6-00	1	30000-6-00	perno	1
7	30000-7-00	1	30000-7-00	perno	1
8	30000-8-00	1	30000-8-00	perno per vite girante	1
9	30000-9-00	1	30000-9-00	vitte fissi	1
10	30000-10-00	1	30000-10-00	perno di regolazione	1
11	30000-11-00	1	30000-11-00	perno	1
12	30000-12-00	1	30000-12-00	scocca	1
13	30000-13-00	1	30000-13-00	perno	1
14	30000-14-00	1	30000-14-00	perno	1
15	30000-15-00	1	30000-15-00	perno a forcella	1
16	30000-16-00	1	30000-16-00	perno	1
17	30000-17-00	1	30000-17-00	molle	1
18	30000-18-00	1	30000-18-00	perno	1
19	30000-19-00	1	30000-19-00	perno	1
20	30000-20-00	1	30000-20-00	vitte	1
21	30000-21-00	1	30000-21-00	perno di fermo con vite	1
22	30000-22-00	2	30000-22-00	vitte	2
23	30000-23-00	1	30000-23-00	perno per vite	1
24	30000-24-00	1	30000-24-00	perno di fissaggio	1
25	30000-25-00	1	30000-25-00	perno	1
26	30000-26-00	1	30000-26-00	perno fissato	1

Fig. N. Abb. N.	Part. N. Piece N. Bestell N. Pieza N.	N. N. N. N.	Qt. Anzahl	DESCRIZIONE	DESCRIPTION	DESCRIPTION	BENENNUNG	DESCRIPTION
●	307584-4-00		1	gruppo braccio rullo sup.	upper roller arm assembly	groupe bras rouleau sup.		
★	307594-4-00		1	gruppo supporto rullo sup.	upper roller support assembly	groupe support rouleau sup.		
▲	310520-4-00		1	gruppo rullo folle sup.	upper roller assembly	groupe rouleau supérieur		
1	307616-2-00		1	maniglia alza rullo	lever	levier		
2	729033-2-00		2	vite	screw	vis		
3	307762-0-01		1	perno superiore	upper pin	pivot supérieur		
4	307619-0-11		1	perno per rullo sup.	pin	pivot		
5	307701-0-00		1	molla	spring	ressort		
6	307656-0-11		1	perno eccentrico	eccentric pin	pivot excentrique		
7	700206-0-00		2	anello elastico	spring ring	anneau ressort		
8	722432-2-00		3	vite	screw	vis		
9	307612-2-10		1	braccio premi rullo	arm	bras		
10	307761-3-10		1	giunto sinistro	left joint	joint gauche		
11	307705-0-00		1	pomolo	knob	pommeau		
12	307610-2-10		1	supporto	support	support		
13	704814-0-00		1	rondella	washer	rondelle		
14	307615-0-10		1	piastrina	plate	plaque		
15	307605-0-00		1	anello	ring	anneau		
16	307618-0-10		1	forcella	fork	fourche		
17	301510-0-10		1	molla	spring	ressort		
18	307617-0-10		1	spina	pin	goupille		
19	704841-0-00		1	rondella	washer	rondelle		
20	704848-0-00		2	rondella	washer	rondelle		
21	722443-2-00		3	vite	screw	vis		
22	721412-2-00		2	vite	screw	vis		
23	307697-0-00		1	coperchio	cover	couvercle		
24	730054-2-00		1	vite	screw	vis		
25	307652-3-10		1	giunto destro	right joint	joint droite		
26	307694-2-10		1	rullo	roller	rouleau		
27	307639-0-00		1	cuscinetto	bearing	coussinet		
28	700131-0-00		1	anello elastico	spring ring	anneau ressort		

DESCRIPTION

BEWELUNG

DESCRIPTION

DESCRIPTION

DESCRIPTION

App. N.	Part. N.	Descr.	Q. T.
1	30784-4-00	gruppo braccio tallio dir.	1
2	30782-4-00	gruppo supporto infio sup.	1
3	310250-4-00	gruppo viti tallio sup.	1
4	307816-2-10	maniglia viti infio	1
5	120723-2-00	vite	2
6	307753-0-01	brno scario	1
7	307810-0-11	brno per tallio sup.	1
8	307810-0-09	brno	1
9	307824-1-1	brno	1
10	107254-0-00	brno	1
11	12343-2-00	brno	2
12	307810-0-10	brno	1
13	307810-0-10	brno	1
14	307810-0-10	brno	1
15	307810-0-10	brno	1
16	307810-0-10	brno	1
17	307810-0-10	brno	1
18	107847-0-00	brno	1
19	107848-0-00	brno	2
20	12343-2-00	vite	3
21	12343-2-00	vite	2
22	307810-0-09	brno	1
23	307810-0-09	brno	1
24	10024-2-10	vite	1
25	307810-2-10	brno	1
26	307810-2-10	brno	1
27	307833-0-00	brno	1
28	100131-0-00	brno elastico	1

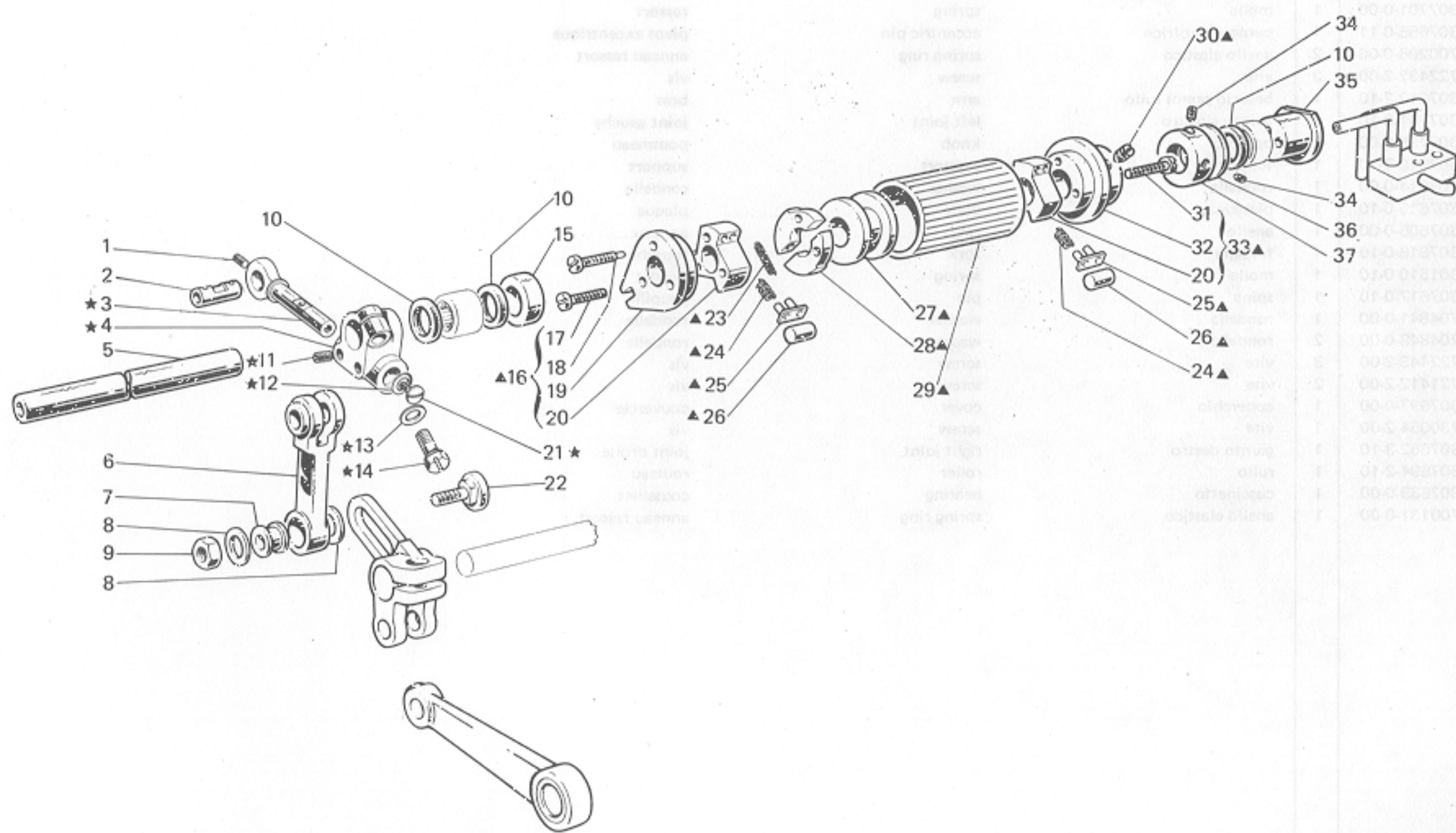


Fig. N. Abb. N.	Part. N. Bestell N. Pieza N.	Qt. Anzahl	DESCRIZIONE	DESCRIPTION	DESCRIPTION	BENENNUNG	DESCRIPCION
★	307774-4-00	1	gruppo leva coman.rullo	roller lever control assembly	groupe levier comm.rouleau		
▲	307738-4-00	1	comando frizione posteriore	rear clutch control	commande friction arriere		
1	727012-0-00	1	vite	screw	vis		
2	307678-2-00	1	perno con stoppino	pin	pivot		
3	307772-0-00	1	perno	pin	pivot		
4	307773-2-00	1	mozzo	hub	moyeu		
5	307691-2-01	1	albero porta frizione	shaft	arbre		
6	311094-0-00	1	bielletta	con-rod	bielle		
7	301547-0-11	1	bussola	bush	bague		
8	704805-0-00	2	rondella	washer	rondelle		
9	302708-0-01	1	dado	nut	écrou		
10	307651-0-00	3	anello di tenuta	circlip	circlip		
11	729012-2-00	2	vite	screw	vis		
12	701006-0-00	1	anello di tenuta	retainer ring	bague d'étanchéité		
13	704218-2-00	1	rondella	washer	rondelle		
14	202486-0-10	1	vite	screw	vis		
15	307663-0-00	1	distanziale	spacer	entretoise		
16	301535-4-10	1	flangia sinistra	left flange	flasque gauche		
17	741761-0-00	1	vite	screw	vis		
18	301594-0-10	2	vite	screw	vis		
19	301534-0-10	1	flangia	flange	flasque		
20	301523-0-10	2	settore	sector	secteur		
21	201236-0-10	1	vite	screw	vis		
22	301546-0-10	1	perno a vite	threaded pin	pivot à vis		
23	301539-0-10	1	molla	spring	ressort		
24	301531-0-10	12	molletta	spring	ressort		
25	301530-2-10	6	piastrina	plate	plaque		
26	301527-0-10	6	rullino	rolier	rouleau		
27	301540-0-10	1	distanziale	spacer	entretoise		
28	301538-0-10	1	freno	brake	frein		
29	307737-0-00	1	rullo frizione	clutch roller	rouleau friction		
30	727855-0-00	2	vite	screw	vis		
31	301595-0-10	3	vite	screw	vis		
32	301532-0-10	1	flangia	flange	flasque		
33	301533-4-10	1	flangia destra	right flange	flasque droite		
34	745812-2-00	2	vite	screw	vis		
35	307607-0-00	1	raccordo olio	pipe connection	raccord huile		
36	704844-0-00	1	rondella	washer	rondelle		
37	206806-2-00	1	anello di registro	adjustment ring	bague de réglage		

DESCRIPTION

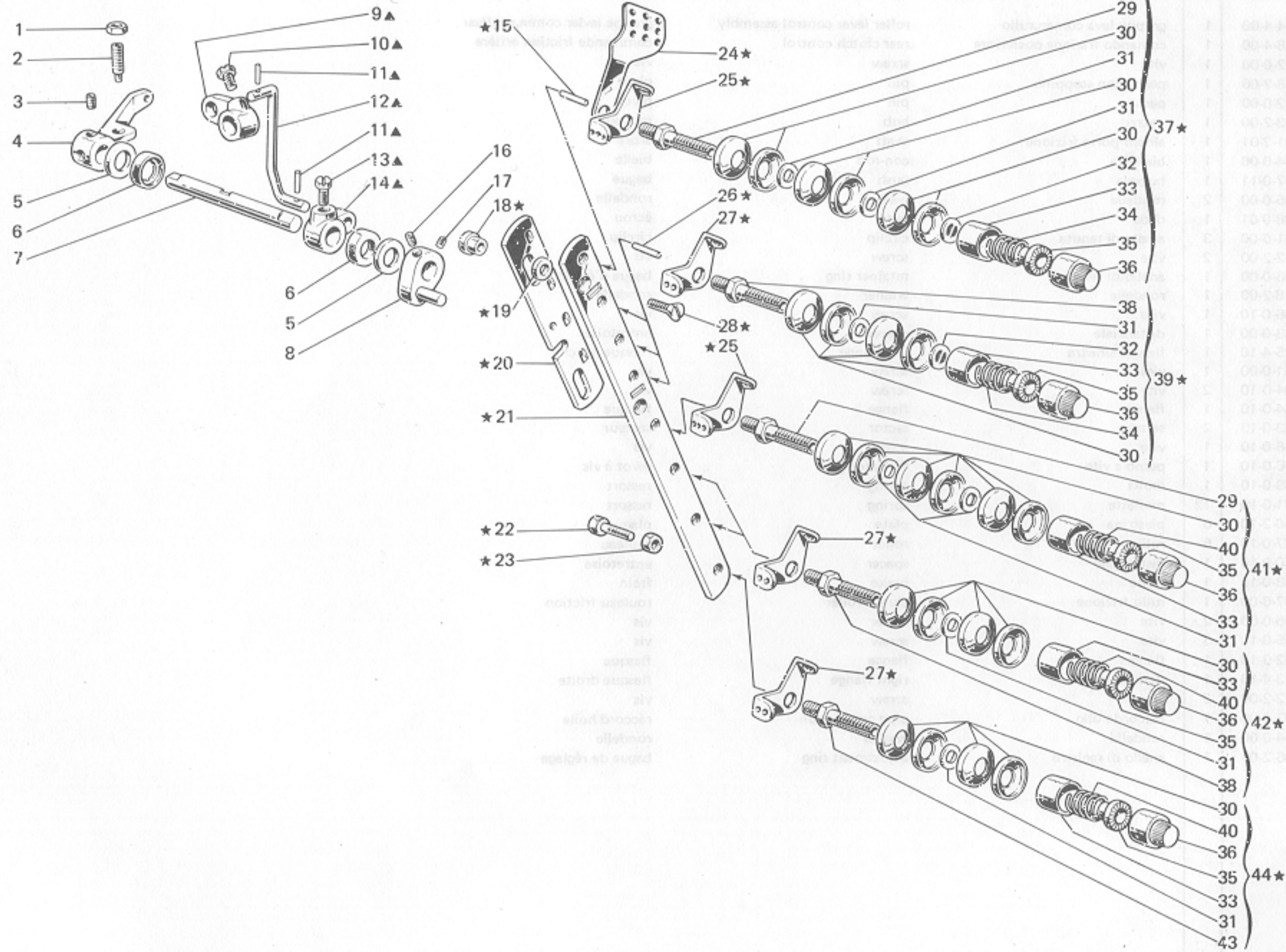
BEZEICHNUNG

DESCRIPTION

DESCRIPTION

DESCRIZIONE

Q.TA	Part. N.	Part. N.	Part. N.
	Fig. 1	Fig. 2	Fig. 3
1	301734-000	*	
2	301735-000	*	
3	301736-000		
4	301737-000		
5	301738-000		
6	301739-000		
7	301740-000		
8	301741-000		
9	301742-000		
10	301743-000		
11	301744-000		
12	301745-000		
13	301746-000		
14	301747-000		
15	301748-000		
16	301749-000		
17	301750-000		
18	301751-000		
19	301752-000		
20	301753-000		
21	301754-000		
22	301755-000		
23	301756-000		
24	301757-000		
25	301758-000		
26	301759-000		
27	301760-000		
28	301761-000		
29	301762-000		
30	301763-000		
31	301764-000		
32	301765-000		
33	301766-000		
34	301767-000		
35	301768-000		
36	301769-000		
37	301770-000		
38	301771-000		
39	301772-000		
40	301773-000		
41	301774-000		
42	301775-000		
43	301776-000		
44	301777-000		



DESCRIPTION

BENENNUNG

DESCRIPTION

DESCRIPTION

DESCRIPTION

Part N.	Part N.	Part N.	Part N.	Part N.	Part N.
1	20812-3-20	1	20812-3-20	1	20812-3-20
2	20814-0-00	2	20814-0-00	2	20814-0-00
3	20815-2-00	3	20815-2-00	3	20815-2-00
4	20816-2-00	4	20816-2-00	4	20816-2-00
5	20818-0-00	5	20818-0-00	5	20818-0-00
6	20819-0-10	6	20819-0-10	6	20819-0-10
7	20820-0-00	7	20820-0-00	7	20820-0-00
8	20821-0-00	8	20821-0-00	8	20821-0-00
9	20822-0-00	9	20822-0-00	9	20822-0-00
10	20823-0-00	10	20823-0-00	10	20823-0-00
11	20824-0-00	11	20824-0-00	11	20824-0-00
12	20825-0-00	12	20825-0-00	12	20825-0-00
13	20826-0-00	13	20826-0-00	13	20826-0-00
14	20827-0-00	14	20827-0-00	14	20827-0-00
15	20828-0-00	15	20828-0-00	15	20828-0-00
16	20829-0-00	16	20829-0-00	16	20829-0-00
17	20830-0-00	17	20830-0-00	17	20830-0-00
18	20831-0-12	18	20831-0-12	18	20831-0-12
19	20832-0-00	19	20832-0-00	19	20832-0-00
20	20833-0-00	20	20833-0-00	20	20833-0-00
21	20834-0-00	21	20834-0-00	21	20834-0-00
22	20835-0-00	22	20835-0-00	22	20835-0-00
23	20836-0-11	23	20836-0-11	23	20836-0-11
24	20837-0-00	24	20837-0-00	24	20837-0-00
25	20838-0-10	25	20838-0-10	25	20838-0-10
26	20839-0-01	26	20839-0-01	26	20839-0-01

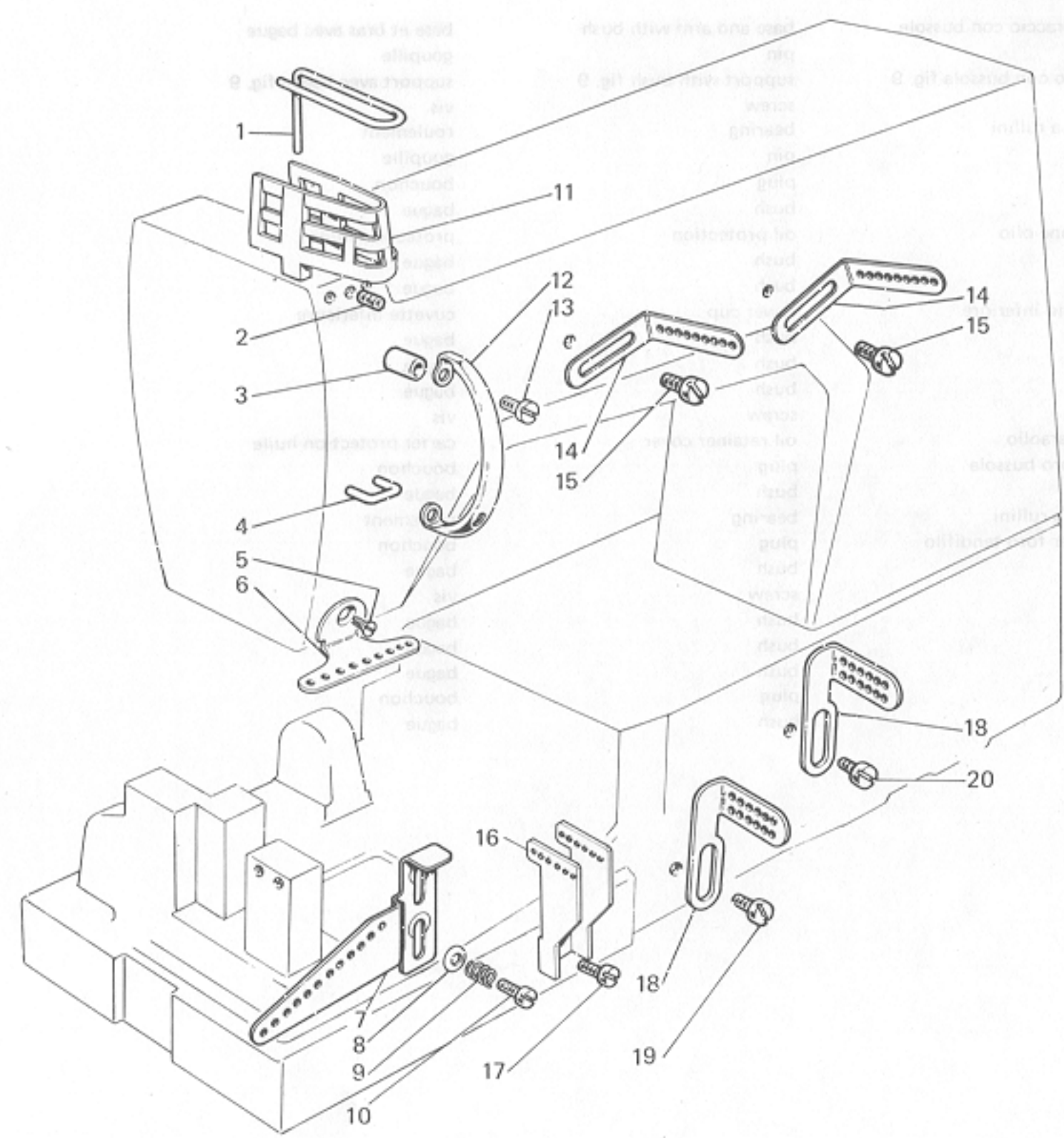
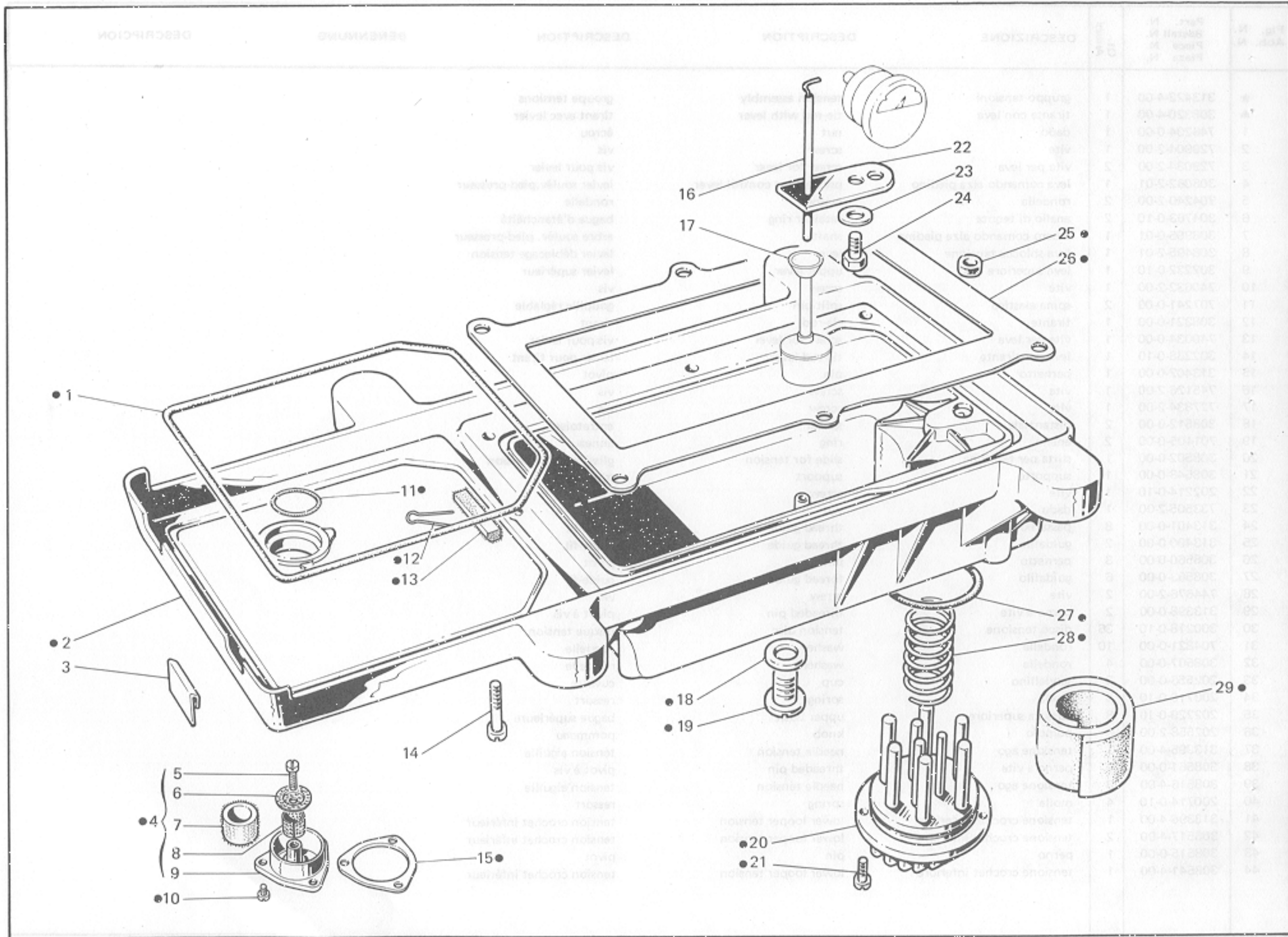


Fig. N. Abb. N.	Part. N. Bestell N. Pieza N.	Qt. Anzahl	DESCRIZIONE	DESCRIPTION	DESCRIPTION	BENENNUNG	DESCRIPCION
★	313422-4-00	1	gruppo tensioni	tension assembly	groupe tensions		
▲	308320-4-00	1	tirante con leva	tie-rod with lever	tirant avec levier		
1	746204-0-00	1	dado	nut	écrou		
2	729904-2-00	1	vite	screw	vis		
3	729034-2-00	2	vite per leva	screw for lever	vis pour levier		
4	308062-2-01	1	leva comando alza piedino	presserfoot control lever	levier soulèv. pied-presseur		
5	704240-2-00	2	rondella	washer	rondelle		
6	304763-0-10	2	anello di tenuta	retainer ring	bague d'étanchéité		
7	308996-0-01	1	albero comando alza piedino	shaft	arbre soulèv. pied-presseur		
8	308495-2-01	1	leva sblocca tensione	lever	levier déblocage tension		
9	302232-0-10	1	leva superiore	upper lever	levier supérieur		
10	740632-2-00	1	vite	screw	vis		
11	707241-0-00	2	spina elastica	split pin	goupille réglable		
12	308321-0-00	1	tirante	tie-rod	tirant		
13	740034-0-00	1	vite per leva	screw for lever	vis pour levier		
14	302238-0-10	1	leva per tirante	tie-rod lever	levier pour tirant		
15	313402-0-00	1	pernetto	pin	pivot		
16	745126-2-00	1	vite	screw	vis		
17	727834-2-00	1	vite	screw	vis		
18	308512-0-00	2	distanziale	spacer	entretoise		
19	701405-0-00	2	anello	ring	anneau		
20	308502-0-00	1	slitta per tensione	slide for tension	glissière pour tension		
21	308548-0-00	1	supporto	support	support		
22	202214-0-10	1	vite	screw	vis		
23	733505-2-00	1	dado	nut	écrou		
24	313401-0-00	8	passafilo	thread guide	passe-fil		
25	313400-0-00	2	guidafilo	thread guide	guide-fil		
26	308560-0-00	3	pernetto	pin	pivot		
27	308563-0-00	6	guidafilo	thread guide	guide-fil		
28	744676-2-00	2	vite	screw	vis		
29	313398-0-00	2	perno a vite	threaded pin	pivot à vis		
30	300218-0-10	36	disco tensione	tension disc	disque tension		
31	704821-0-00	10	rondella	washer	rondelle		
32	308507-0-00	4	rondella	washer	rondelle		
33	202556-0-00	8	scodellino	cup	cuvette		
34	200710-0-10	4	molla	spring	ressort		
35	202229-0-10	8	bussoia superiore	upper bush	bague supérieure		
36	202558-2-00	8	pomolo	knob	pommeau		
37	313395-4-00	1	tensione ago	needle tension	tension aiguille		
38	308561-0-00	5	perno a vite	threaded pin	pivot à vis		
39	308516-4-00	3	tensione ago	needle tension	tension aiguille		
40	200714-0-10	4	molla	spring	ressort		
41	313396-4-00	1	tensione crochet inferiore	lower looper tension	tension crochet inférieur		
42	308517-4-00	2	tensione crochet inferiore	lower looper tension	tension crochet inférieur		
43	308515-0-00	1	perno	pin	pivot		
44	308541-4-00	1	tensione crochet inferiore	lower looper tension	tension crochet inférieur		





Q.T.	DESCRIZIONE	DESCRIPTION	DESCRIPTION	DESCRIPTION	Part. N. Access. N.	Part. N. Access. N.	Part. N. Access. N.
1	Gruppo tenore	Group tenore	Group tenore	Group tenore	313423-0-00	313423-0-00	313423-0-00
1	Tratt. con lev. 1	Treat. con lev. 1	Treat. con lev. 1	Treat. con lev. 1	308120-0-00	308120-0-00	308120-0-00
1	Tratt. con lev. 2	Treat. con lev. 2	Treat. con lev. 2	Treat. con lev. 2	314328-0-00	314328-0-00	314328-0-00
1	Tratt. con lev. 3	Treat. con lev. 3	Treat. con lev. 3	Treat. con lev. 3	320004-0-00	320004-0-00	320004-0-00
2	Tratt. con lev. 4	Treat. con lev. 4	Treat. con lev. 4	Treat. con lev. 4	320004-0-00	320004-0-00	320004-0-00
3	Tratt. con lev. 5	Treat. con lev. 5	Treat. con lev. 5	Treat. con lev. 5	320004-0-00	320004-0-00	320004-0-00
4	Tratt. con lev. 6	Treat. con lev. 6	Treat. con lev. 6	Treat. con lev. 6	308082-0-01	308082-0-01	308082-0-01
5	Tratt. con lev. 7	Treat. con lev. 7	Treat. con lev. 7	Treat. con lev. 7	304340-0-00	304340-0-00	304340-0-00
5	Tratt. con lev. 8	Treat. con lev. 8	Treat. con lev. 8	Treat. con lev. 8	304340-0-00	304340-0-00	304340-0-00
8	Tratt. con lev. 9	Treat. con lev. 9	Treat. con lev. 9	Treat. con lev. 9	304703-0-10	304703-0-10	304703-0-10
2	Tratt. con lev. 10	Treat. con lev. 10	Treat. con lev. 10	Treat. con lev. 10	304703-0-10	304703-0-10	304703-0-10
1	Tratt. con lev. 11	Treat. con lev. 11	Treat. con lev. 11	Treat. con lev. 11	304703-0-10	304703-0-10	304703-0-10
1	Tratt. con lev. 12	Treat. con lev. 12	Treat. con lev. 12	Treat. con lev. 12	304703-0-10	304703-0-10	304703-0-10
1	Tratt. con lev. 13	Treat. con lev. 13	Treat. con lev. 13	Treat. con lev. 13	304703-0-10	304703-0-10	304703-0-10
1	Tratt. con lev. 14	Treat. con lev. 14	Treat. con lev. 14	Treat. con lev. 14	304703-0-10	304703-0-10	304703-0-10
1	Tratt. con lev. 15	Treat. con lev. 15	Treat. con lev. 15	Treat. con lev. 15	304703-0-10	304703-0-10	304703-0-10
1	Tratt. con lev. 16	Treat. con lev. 16	Treat. con lev. 16	Treat. con lev. 16	304703-0-10	304703-0-10	304703-0-10
1	Tratt. con lev. 17	Treat. con lev. 17	Treat. con lev. 17	Treat. con lev. 17	304703-0-10	304703-0-10	304703-0-10
1	Tratt. con lev. 18	Treat. con lev. 18	Treat. con lev. 18	Treat. con lev. 18	304703-0-10	304703-0-10	304703-0-10
1	Tratt. con lev. 19	Treat. con lev. 19	Treat. con lev. 19	Treat. con lev. 19	304703-0-10	304703-0-10	304703-0-10
1	Tratt. con lev. 20	Treat. con lev. 20	Treat. con lev. 20	Treat. con lev. 20	304703-0-10	304703-0-10	304703-0-10
1	Tratt. con lev. 21	Treat. con lev. 21	Treat. con lev. 21	Treat. con lev. 21	304703-0-10	304703-0-10	304703-0-10
1	Tratt. con lev. 22	Treat. con lev. 22	Treat. con lev. 22	Treat. con lev. 22	304703-0-10	304703-0-10	304703-0-10
1	Tratt. con lev. 23	Treat. con lev. 23	Treat. con lev. 23	Treat. con lev. 23	304703-0-10	304703-0-10	304703-0-10
1	Tratt. con lev. 24	Treat. con lev. 24	Treat. con lev. 24	Treat. con lev. 24	304703-0-10	304703-0-10	304703-0-10
1	Tratt. con lev. 25	Treat. con lev. 25	Treat. con lev. 25	Treat. con lev. 25	304703-0-10	304703-0-10	304703-0-10
1	Tratt. con lev. 26	Treat. con lev. 26	Treat. con lev. 26	Treat. con lev. 26	304703-0-10	304703-0-10	304703-0-10
1	Tratt. con lev. 27	Treat. con lev. 27	Treat. con lev. 27	Treat. con lev. 27	304703-0-10	304703-0-10	304703-0-10
1	Tratt. con lev. 28	Treat. con lev. 28	Treat. con lev. 28	Treat. con lev. 28	304703-0-10	304703-0-10	304703-0-10
1	Tratt. con lev. 29	Treat. con lev. 29	Treat. con lev. 29	Treat. con lev. 29	304703-0-10	304703-0-10	304703-0-10

Fig. N. Abb. N.	Part. N. Pezce N. Bestell N. Pieza N.	Qt. Anzahl	DESCRIZIONE	DESCRIPTION	DESCRIPTION	BENENNUNG	DESCRIPCION
●	308588-4-10	1	bacinella olio completa	oil sump assembly	réservoir huile complet		
1	308125-0-01	1	guarnizione	gasket	garniture		
2	308576-2-20	1	bacinella	oil sump	réservoir		
3	308002-0-00	2	piastrina per bacinella	sheet for oil sump	plaquette pour réservoir		
4	308331-4-00	1	tappo completo	plug assembly	bouchon complet		
5	721484-2-00	1	vite	screw	vis		
6	308209-0-00	1	dischetto	disc	disque		
7	308206-0-00	1	filtro olio	oil filter	filtre huile		
8	308210-0-00	1	cilindretto	cylinder	cylindre		
9	308208-0-00	1	tappo	plug	bouchon		
10	722411-2-00	3	vite	screw	vis		
11	701134-0-00	1	guarnizione	gasket	garniture		
12	308957-0-00	1	clip	clip	clip		
13	308213-0-00	1	feltro	felt	fautre		
14	722453-2-00	6	vite fiss. bacinella	oil sump fixing screw	vis blocage réservoir		
15	308179-0-00	1	guarnizione	gasket	garniture		
16	308379-0-00	1	astina livello olio	stick	jauge niveau huile		
17	206665-2-00	1	galleggiante	float	floateur		
18	705977-0-00	1	rondella	washer	rondelle		
19	206564-0-00	1	tappo	plug	bouchon		
20	206560-0-10	1	coperchio	cover	couvercle		
21	722063-2-00	2	vite	screw	vis		
22	308226-0-02	1	guida astina	guide for stick	guide barre		
23	703003-0-00	1	rondella elastica	spring washer	rondeile élastique		
24	740240-0-00	1	vite	screw	vis		
25	308113-0-00	1	anello	ring	anneau		
26	311395-0-00	1	guarnizione	gasket	garniture		
27	701051-0-00	1	guarnizione	gasket	garniture		
28	206545-0-00	1	molla a spirale	spring	ressort		
29	206559-0-01	1	filtro olio	oil filter	filtre huile		



DESCRIPTION

BENENNUNG

DESCRIPTION

DESCRIPTION

DESCRIPTION

Q.tà	Descrizione	Quantità	Part. No.	Part. No.
1	...	1	30822-4-10	4
1	...	1	30823-0-01	7
1	...	1	30825-0-00	2
3	...	3	30827-0-00	3
1	...	1	30831-4-00	4
1	...	1	31143-4-00	8
1	...	1	30829-0-00	6
1	...	1	30828-0-00	7
1	...	1	30827-0-00	8
1	...	1	30828-0-00	9
3	...	3	32241-0-00	3
7	...	7	30813-0-00	11
1	...	1	30823-0-00	12
1	...	1	30823-0-00	13
0	...	0	30823-0-00	14
1	...	1	30817-0-00	15
1	...	1	30829-0-00	16
1	...	1	30825-0-00	17
1	...	1	30825-0-00	18
1	...	1	30825-0-00	19
1	...	1	30825-0-00	20
1	...	1	30825-0-00	21
1	...	1	30825-0-00	22
1	...	1	30825-0-00	23
1	...	1	30825-0-00	24
1	...	1	30825-0-00	25
1	...	1	30825-0-00	26
1	...	1	30825-0-00	27
1	...	1	30825-0-00	28
1	...	1	30825-0-00	29
1	...	1	30825-0-00	30
1	...	1	30825-0-00	31
1	...	1	30825-0-00	32
1	...	1	30825-0-00	33

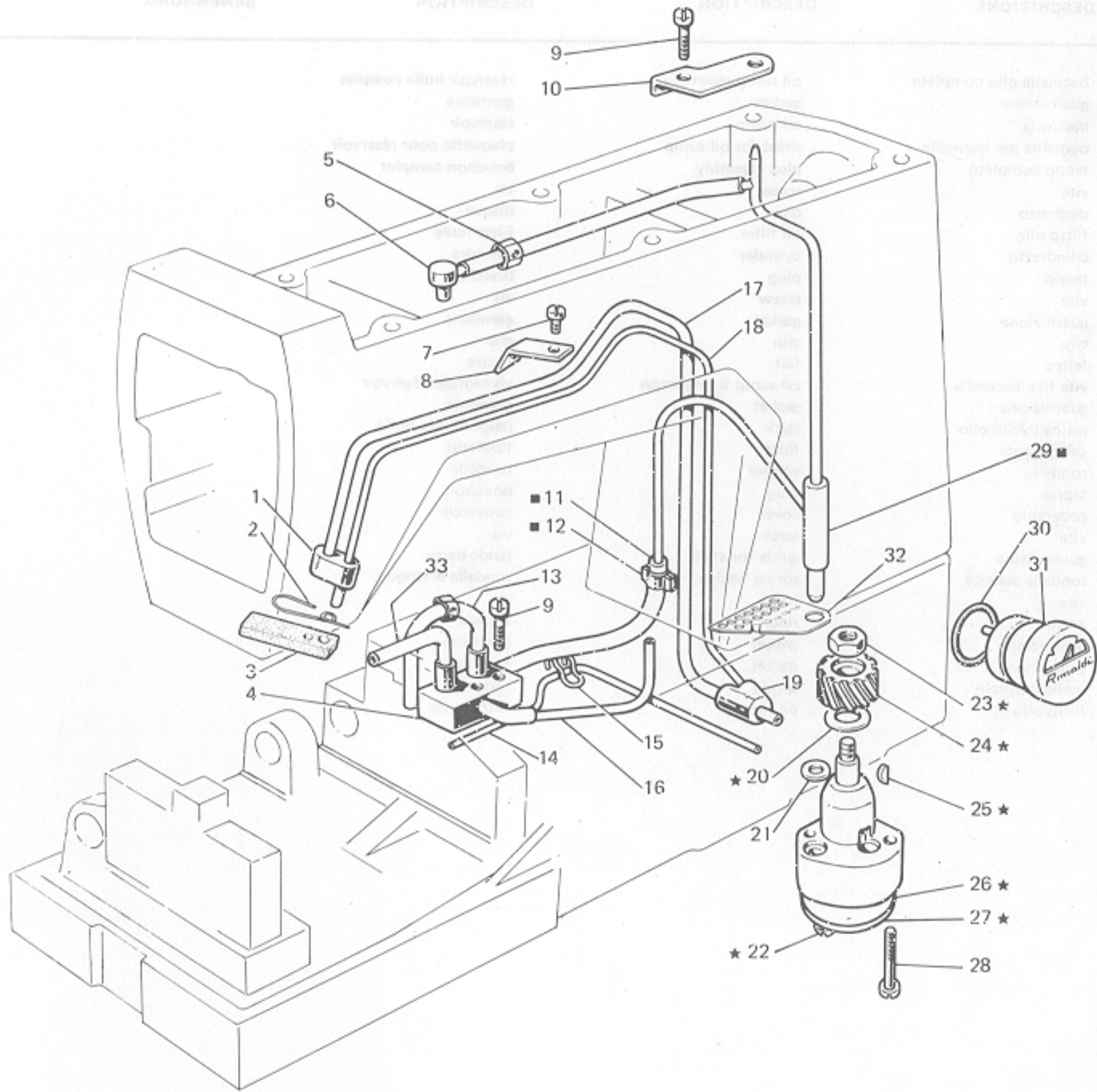


Fig. N. Abb. N.	Part. N. Piece N. Bestell N. Pieza N.	N. N. N. N.	Qt. Anzahl	DESCRIZIONE	DESCRIPTION	DESCRIPTION	BENENNUNG	DESCRIPTION
★	308105-4-03		1	pompa olio completa	oil pump assembly	pompe à huile complet		
■	310500-4-00		1	raccordo mandata olio compl.	pipe connection oil delivery ass.	raccord envoi huile compl.		
1	308123-0-00		1	raccordo superiore	upper pipe connection	raccord supérieur		
2	307990-0-00		1	molletta	spring	ressort		
3	307991-0-00		1	feltro	felt	feutre		
4	308114-2-02		1	distributore	distributor	distributeur		
5	308040-2-00		1	tubetto	pipe	tube		
6	308214-0-00		1	raccordo mandata olio	pipe connection oil delivery	raccord envoi huile		
7	721424-2-00		1	vite	screw	vis		
8	308184-0-00		1	fascetta	clamp	bride		
9	721514-0-00		3	vite	screw	vis		
10	308104-0-00		1	piastrina	plate	plaque		
11	308207-0-00		1	tubetto	pipe	tube		
12	308043-0-00		1	fascetta	clamp	bride		
13	310561-2-00		1	tubetto	pipe	tube		
14	790325-0-00		1	tubetto	pipe	tube		
15	308211-0-00		2	clip	clip	clip		
16	790315-0-00		1	tubetto	pipe	tube		
17	790342-0-00		1	tubetto recupero olio	pipe	tube		
18	790242-0-00		1	tubetto recupero olio	pipe	tube		
19	308185-0-00		1	raccordo inferiore	lower pipe connection	raccord inférieur		
20	704813-0-00		1	rondella	washer	rondelle		
21	701004-0-00		1	anello di tenuta	retainer ring	bague d'étanchéité		
22	741082-2-00		2	vite	screw	vis		
23	733507-0-00		1	dado	nut	écrou		
24	206555-0-00		1	ingranaggio	gear	engrenage		
25	206557-0-00		1	chiavetta	key	clé		
26	308110-3-00		1	corpo pompa aspirante	suction pump body	corps pompe admission		
27	308111-0-00		1	coperchio pompa	pump cover	couvercle pompe		
28	741092-0-00		2	vite fissaggio pompa	screw	vis		
29	308180-2-01		1	raccordo mandata olio	pipe connection oil delivery	raccord envoi huile		
30	701032-0-00		1	anello di tenuta	circlip	circlip		
31	206669-2-02		1	indicatore livello olio	oil level gauge	indicateur niveau huile		
32	305666-0-00		1	lamierino di protezione	sheet	plaque		
33	790307-0-00		1	tubetto	pipe	tube		

DESCRIPTION

BENENNUNG

DESCRIPTION

DESCRIPTION

DESCRIPTION

Fig. N°	Part. N°	Part. N°	Part. N°	Part. N°
Fig. N°	Part. N°	Part. N°	Part. N°	Part. N°
1	305102-0-00	1	305102-0-00	1
2	305103-0-00	1	305103-0-00	1
3	305104-0-00	1	305104-0-00	1
4	305105-0-00	1	305105-0-00	1
5	305106-0-00	1	305106-0-00	1
6	305107-0-00	1	305107-0-00	1
7	305108-0-00	1	305108-0-00	1
8	305109-0-00	1	305109-0-00	1
9	305110-0-00	1	305110-0-00	1
10	305111-0-00	1	305111-0-00	1
11	305112-0-00	1	305112-0-00	1
12	305113-0-00	1	305113-0-00	1
13	305114-0-00	1	305114-0-00	1
14	305115-0-00	1	305115-0-00	1
15	305116-0-00	2	305116-0-00	2
16	305117-0-00	1	305117-0-00	1
17	305118-0-00	1	305118-0-00	1
18	305119-0-00	1	305119-0-00	1
19	305120-0-00	1	305120-0-00	1
20	305121-0-00	1	305121-0-00	1
21	305122-0-00	1	305122-0-00	1
22	305123-0-00	1	305123-0-00	1
23	305124-0-00	1	305124-0-00	1
24	305125-0-00	1	305125-0-00	1
25	305126-0-00	1	305126-0-00	1
26	305127-0-00	1	305127-0-00	1
27	305128-0-00	1	305128-0-00	1
28	305129-0-00	1	305129-0-00	1
29	305130-0-00	1	305130-0-00	1
30	305131-0-00	1	305131-0-00	1
31	305132-0-00	1	305132-0-00	1
32	305133-0-00	1	305133-0-00	1
33	305134-0-00	1	305134-0-00	1

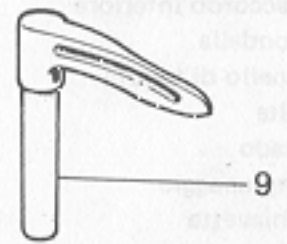
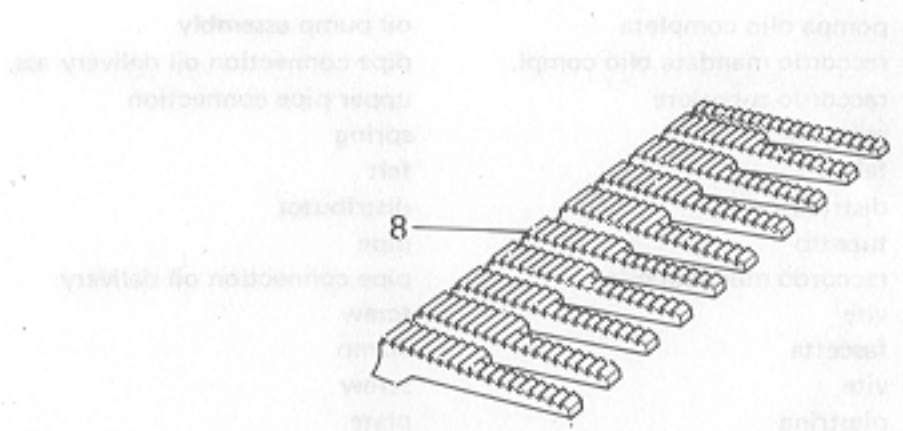
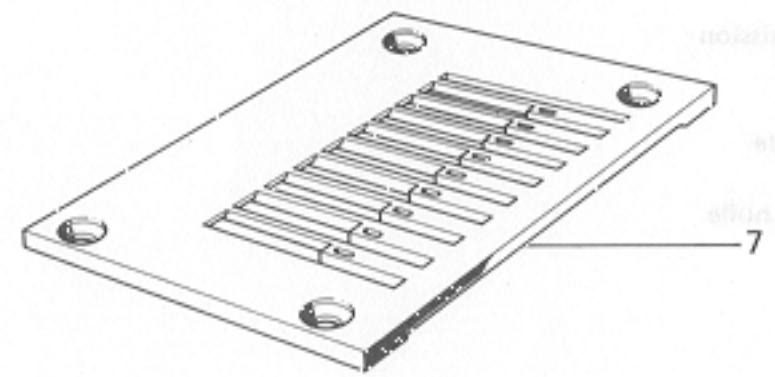
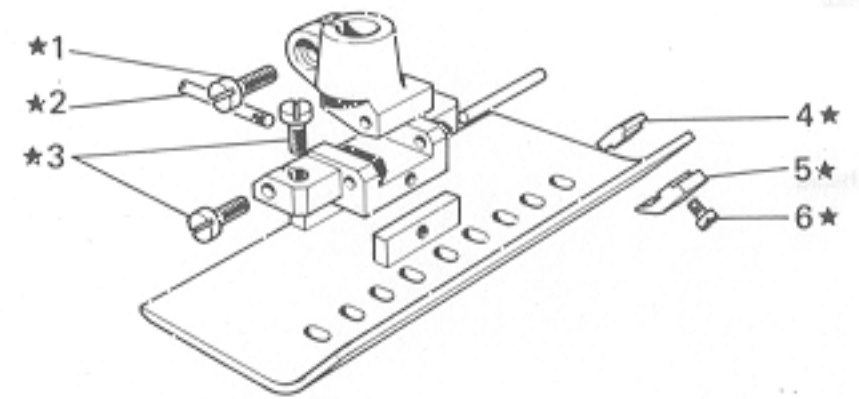
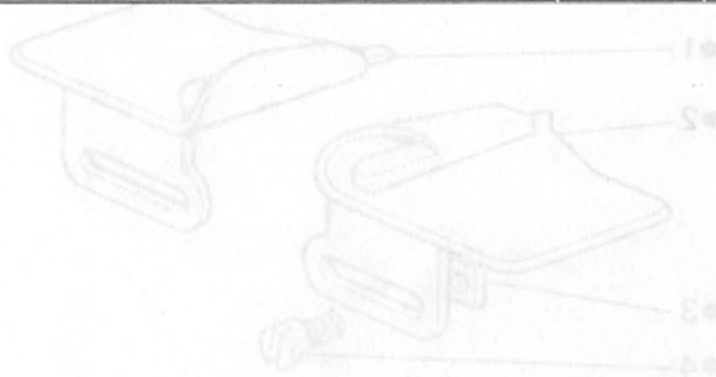


Fig. N. Abb. N.	Part. N. Piece N. Bestell. N. Pieza N.	Qt. Anzahl	DESCRIZIONE	DESCRIPTION	DESCRIPTION	BENENNUNG	DESCRIPCION
★	313382-3-00	1	piedino completo	presserfoot assembly	pied-presseur complet		
1	741721-2-00	1	vite	screw	vis		
2	306447-0-10	1	spina filettata	pin	goupille		
3	741579-0-00	4	vite	screw	vis		
4	304169-0-10	2	dado	nut	écrou		
5	313421-0-00	2	blochetto guida	guide block	bloc guide		
6	741531-2-00	2	vite	screw	vis		
7	313380-0-00	1	piacca ago	needle plate	plaque à aiguille		
8	313381-0-00	1	griffa	feed dog	griffe		
9	304186-0-13	9	crochet inferiore	lower looper	crochet inférieur		
10	785477-0-40	1	targhetta classe testa	head class plate	plaque classe tête		

DESCRIPTION

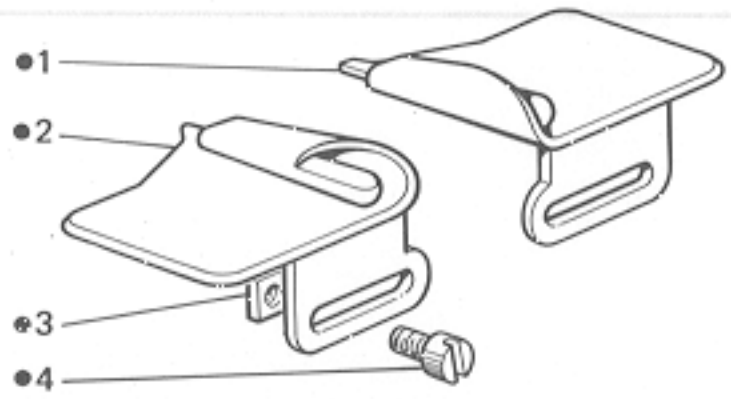
BENENNUNG

DESCRIPTION

DESCRIPTION

DESCRIPTION

Q.T.	Part N. Draw N. Brand N.	Part N.
1	313383-0-00	*
1	343312-0-00	1
1	300421-0-10	2
4	341234-0-00	3
2	304180-0-10	4
2	310421-0-00	5
2	341034-0-00	6
1	312300-0-00	7
1	313318-0-10	8
3	304180-0-10	9
10	304180-0-10	10



piéd-piéd complet  
vis  
poutelle  
vis  
écrou  
tiro-guidé  
vis  
écrou à cône  
garniture  
craquelé intérieur  
piéd-craquelé

piéd-piéd complet  
vis  
poutelle  
vis  
écrou  
tiro-guidé  
vis  
écrou à cône  
garniture  
craquelé intérieur  
piéd-craquelé

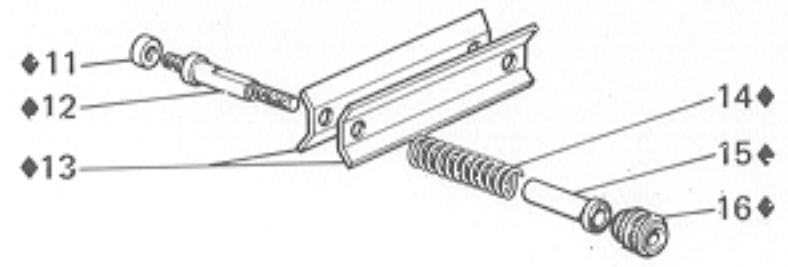
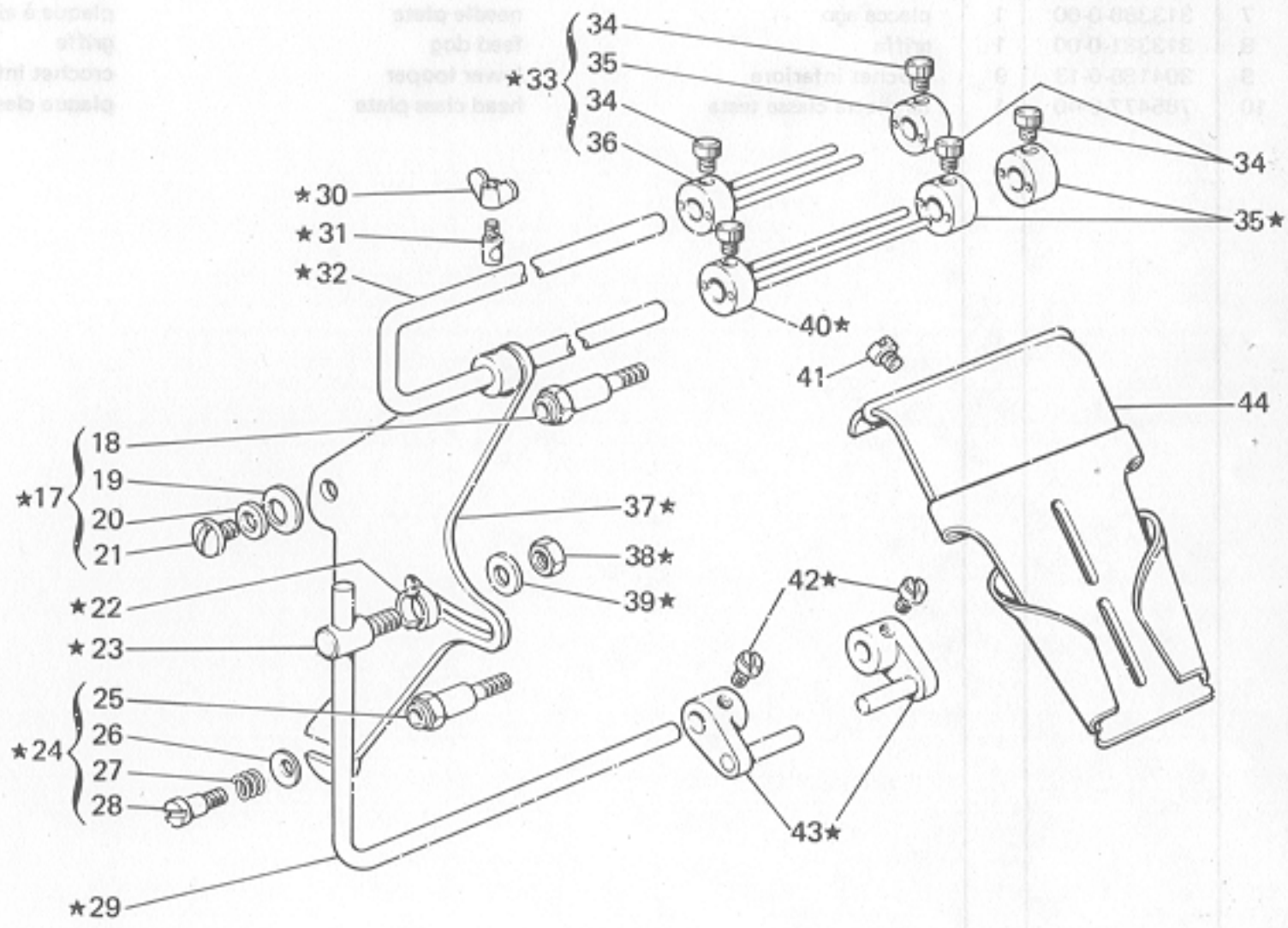
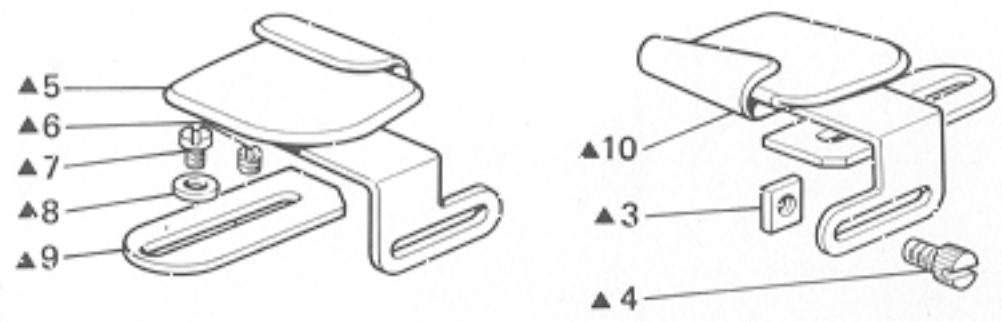


Fig. N. Abb. N.	Part. N. Piece N. Bestell N. Pieza N.	Qt. Anzahl	DESCRIZIONE	DESCRIPTION	DESCRIPTION	BENENNUNG	DESCRIPCION
			SOLO A RICHIESTA	ONLY ON REQUEST	SEULEMENT SUR DEMANDE		
★	310157-4-00	1	piastra ribaltabile compl.	plate assembly	plaque complète		
▲	310195-4-00	1	gruppo guide	guide assembly	groupe guide		
●	310194-4-00	1	gruppo guide	guide assembly	groupe guide		
◆	310166-4-00	1	gruppo frenaggio inf.	lower brake group	groupe freinage inf.		
1	310190-2-00	1	guida destra	right guide	guide droite		
2	310189-2-00	1	guida sinistra	left guide	guide gauche		
3	310057-0-00	4	piastrina	plate	plaque		
4	300917-0-10	4	pomolo	knob	pommeau		
5	310191-2-00	1	guida sinistra	left guide	guide gauche		
6	310167-0-00	2	vite	screw	vis		
7	200356-0-10	2	vite	screw	vis		
8	704210-4-00	2	rondella	washer	rondelle		
9	310188-0-00	2	guida inferiore	lower guide	guide inférieur		
10	310192-2-00	1	guida destra	right guide	guide droite		
11	310078-0-00	2	rondella	washer	rondelle		
12	200698-0-10	2	perno a vite	threaded pin	pivot à vis		
13	310076-0-00	2	lamina	sheet	plaque		
14	200713-0-10	2	molla	spring	ressort		
15	200074-0-10	2	bussola	bush	bague		
16	200699-0-10	2	pomolo	knob	pommeau		
17	930298-4-10	1	perno sup. completo	upper pin assembly	pivot supérieur compl.		
18	930297-0-10	1	perno filettato	pin	pivot		
19	702437-0-00	1	molla a tazza	cup spring	ressort à tasse		
20	704216-2-00	1	rondella	washer	rondelle		
21	300406-0-10	1	vite	screw	vis		
22	310052-0-00	1	anello	ring	anneau		
23	310053-0-00	1	perno	pin	pivot		
24	930291-4-10	1	perno inf. completo	lower pin assembly	pivot inférieur compl.		
25	930290-0-10	1	perno filettato	pin	pivot fileté		
26	302151-0-10	1	scodellino	cup	cuvette		
27	302150-0-10	1	molla	spring	ressort		
28	302349-0-10	1	vite	screw	vis		
29	310051-0-00	1	perno	pin	pivot		
	310159-0-00	1	perno	pin	pivot		
30	930136-0-10	1	pomolo	knob	pommeau		
31	930067-0-10	1	spina filettata	pin	goupille fileté		
32	310079-0-00	1	spina	pin	goupille		
33	930359-4-10	1	passenastro compl.	strap guide	guide pour bande		
34	930096-0-10	5	pomolo	knob	pommeau		
35	930094-0-10	3	morsetto	clamp	collier de serrage		
36	930358-2-10	1	morsetto con spine	clamp with pin	collier de serrage avec goupille		
37	930804-2-00	1	piastra	plate	plaque		
38	733006-2-00	1	dado	nut	écrou		
39	704111-2-00	1	rondella	washer	rondelle		
40	930093-2-10	1	morsetto con spine	clamp with pin	collier de serrage avec goupille		
41	721435-2-00	1	vite	screw	vis		
42	990596-0-10	2	pomolo	knob	pommeau		



Q.T.	Descrizione	DESCRIPTION	DESCRIPTION	BENENNUNG	DESCRIZIONE
1	310157-1-00	plaque alu. visible const.	plaque completa	1	SEULEMENT SUR DEMANDE
1	310158-1-00	grappe guide	grappe guide	2	
1	310159-1-00	grappe guide	grappe guide	3	
1	310160-4-00	grappe étrépage inf.	grappe étrépage inf.	4	
1	310150-2-00	guide gauche	guide gauche	5	
1	310150-3-00	guide droite	guide droite	6	
1	310057-0-00	vis	vis	7	
4	310057-0-10	écrou	écrou	8	
4	310161-0-00	vis	vis	9	
4	310162-0-00	écrou	écrou	10	
1	310163-0-00	vis	vis	11	
1	310164-0-00	écrou	écrou	12	
1	310165-0-00	vis	vis	13	
1	310166-0-00	écrou	écrou	14	
1	310167-0-00	vis	vis	15	
1	310168-0-00	écrou	écrou	16	
1	310169-0-00	vis	vis	17	
1	310170-0-00	écrou	écrou	18	
1	310171-0-00	vis	vis	19	
1	310172-0-00	écrou	écrou	20	
1	310173-0-00	vis	vis	21	
1	310174-0-00	écrou	écrou	22	
1	310175-0-00	vis	vis	23	
1	310176-0-00	écrou	écrou	24	
1	310177-0-00	vis	vis	25	
1	310178-0-00	écrou	écrou	26	
1	310179-0-00	vis	vis	27	
1	310180-0-00	écrou	écrou	28	
1	310181-0-00	vis	vis	29	
1	310182-0-00	écrou	écrou	30	
1	310183-0-00	vis	vis	31	
1	310184-0-00	écrou	écrou	32	
1	310185-0-00	vis	vis	33	
1	310186-0-00	écrou	écrou	34	
1	310187-0-00	vis	vis	35	
1	310188-0-00	écrou	écrou	36	
1	310189-0-00	vis	vis	37	
1	310190-0-00	écrou	écrou	38	
1	310191-0-00	vis	vis	39	
1	310192-0-00	écrou	écrou	40	
1	310193-0-00	vis	vis	41	
1	310194-0-00	écrou	écrou	42	
1	310195-0-00	vis	vis	43	
1	310196-0-00	écrou	écrou	44	

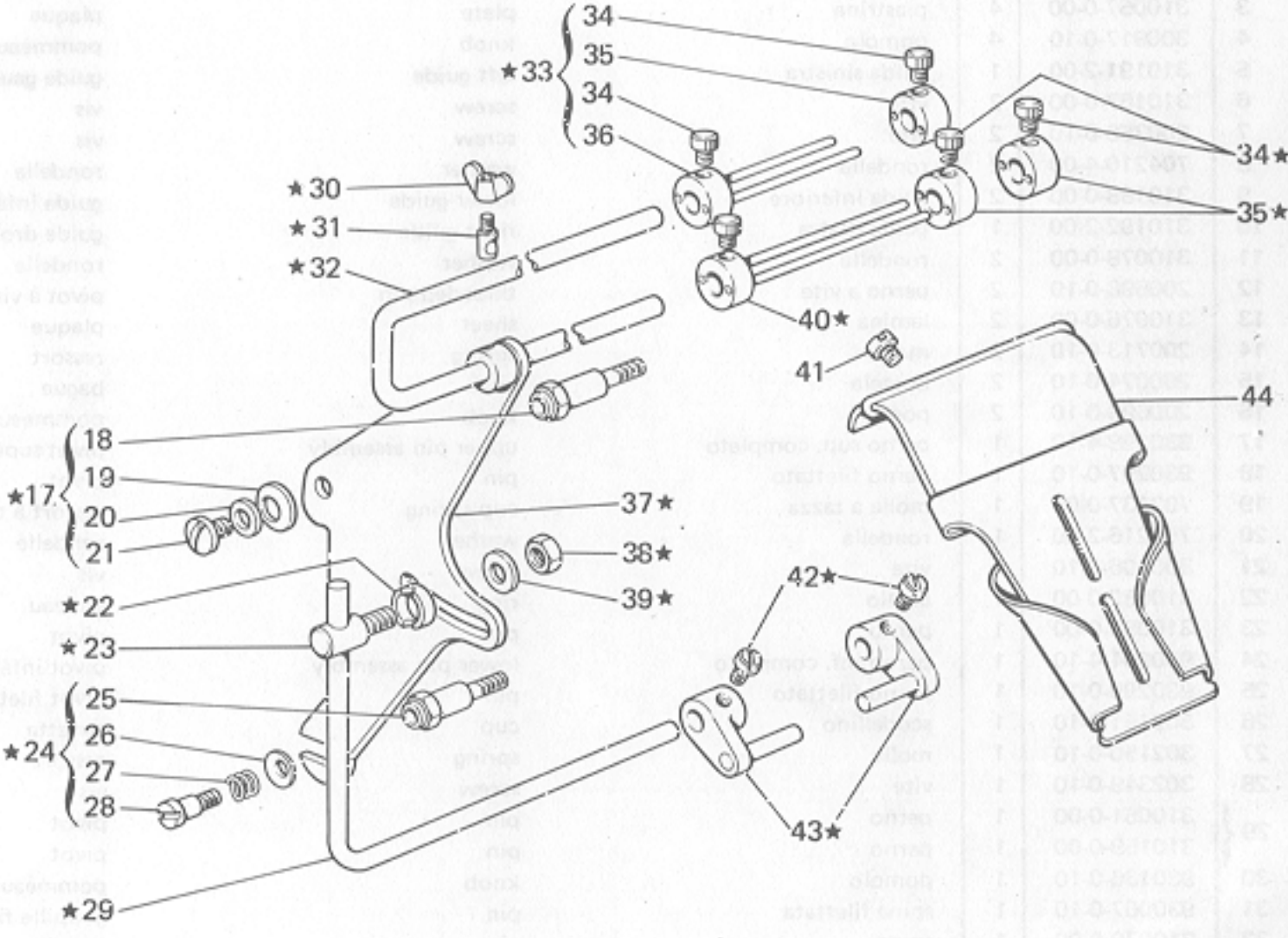
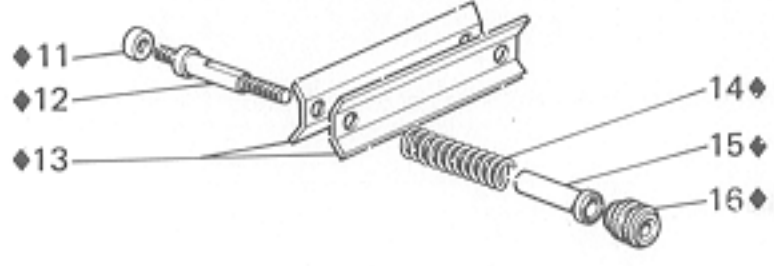
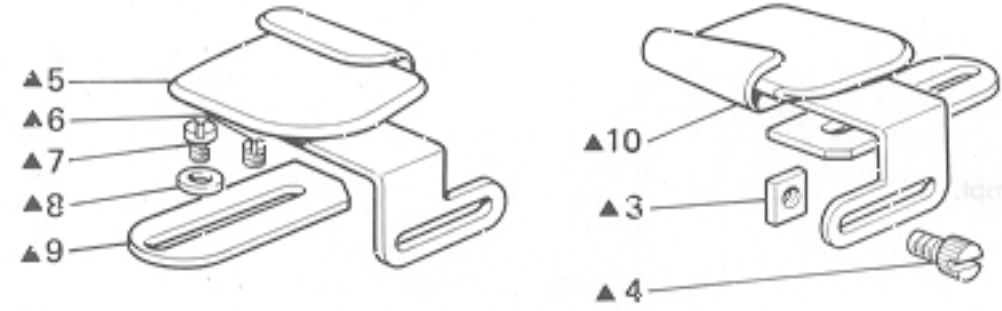
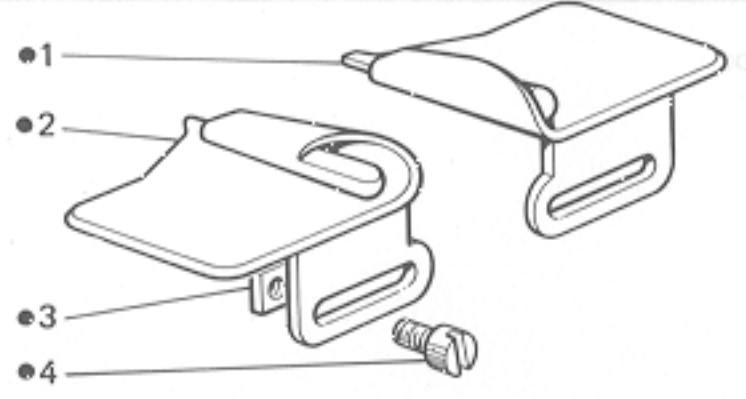
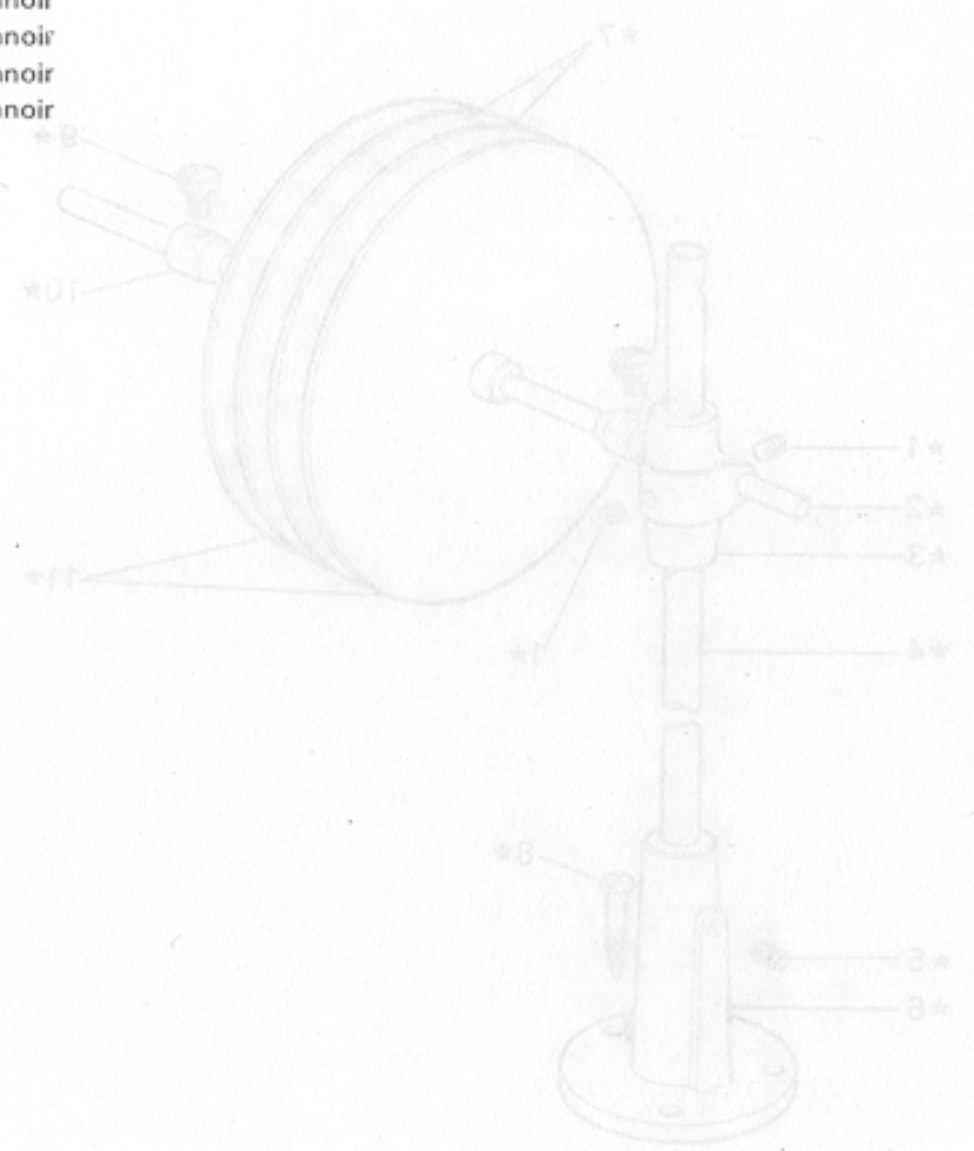
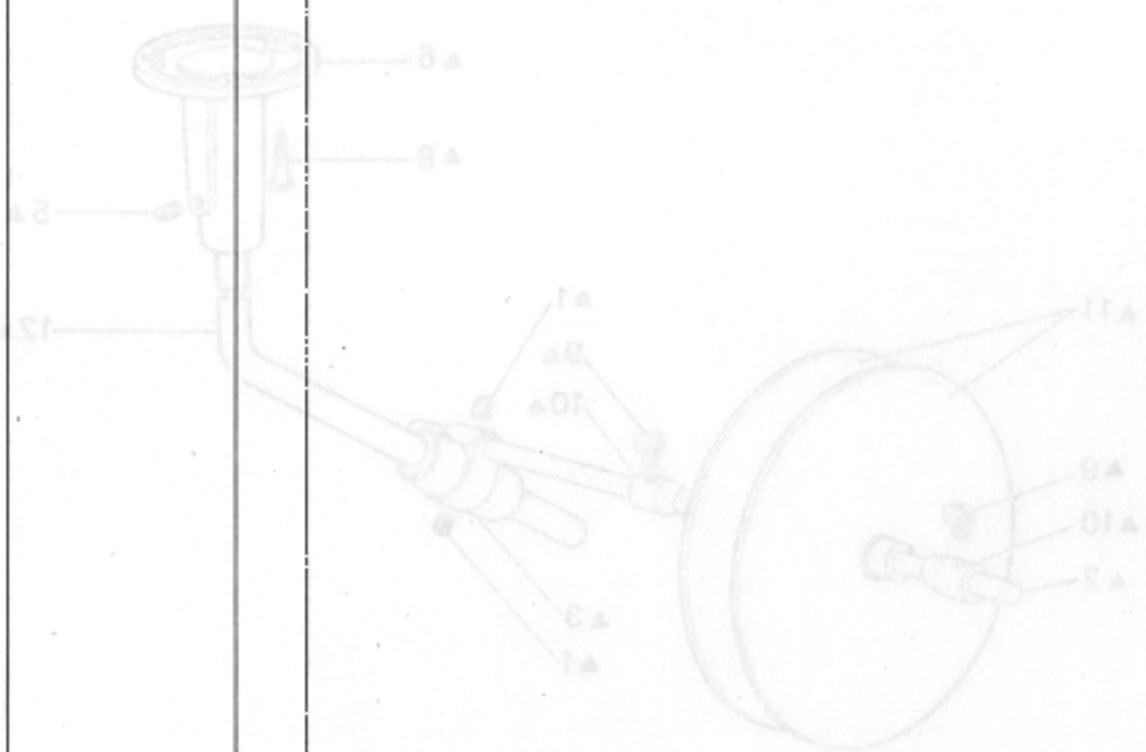


Fig. N. Abb. N.	Part. N. Piecce N. Bestell N. Pieza N.	Qt. Anzahl	DESCRIZIONE	DESCRIPTION	DESCRIPTION	BENENNUNG	DESCRIPCION
1	313392-0-00	1	passafilo	thread guide	passe-fil		
2	729012-2-00	3	vite	screw	vis		
3	990336-0-10	2	distanziale	spacer	entretoise		
4	308137-0-00	1	cavallotto	coupling	cavalier		
5	724420-2-00	1	vite	screw	vis		
6	313393-0-00	1	passafilo	thread guide	passe-fil		
7	313406-0-00	1	guidafilo	thread guide	guide-fil		
8	702404-0-00	2	molla a tazza	cup spring	ressort à tasse		
9	304249-0-11	2	molla	spring	ressort		
10	304330-0-10	2	vite	screw	vis		
11	313379-0-01	1	protezione tendifilo sup.	upper thread take-up protection	protection tendeur du fil sup.		
12	308107-0-01	1	protezione tendifilo	thread take-up protection	protection tendeur du fil		
13	741984-2-00	2	vite	screw	vis		
14	303389-0-00	2	guidafilo	thread guide	guide-fil		
15	303045-0-10	2	vite	screw	vis		
16	313427-0-00	1	passafilo	thread guide	passe-fil		
17	721444-2-00	1	vite	screw	vis		
18	313404-0-00	2	passafilo	thread guide	passe-fil		
19	300483-0-10	1	vite	screw	vis		
20	721456-0-00	1	vite	screw	vis		

Fig. N. Abb. N.	Part. N. Piece N. Bestell N. Pieza N.	Qt. Anzahl	DESCRIZIONE	DESCRIPTION	DESCRIPTION	BENENNUNG	DESCRIPTION
43	310054-2-00	2	supportino	support	support		
44	303375-3-10	1	guida imbuto cal. 6,35	guide	guide à entenoir		
	303625-3-10	1	guida imbuto cal. 12,7	guide	guide à entenoir		
	304351-3-10	1	guida imbuto cal. 19,05	guide	guide à entenoir		
	310186-2-00	1	guida imbuto cal. 44,45	guide	guide à entenoir		
	310184-2-00	1	guida imbuto cal. 50,8	guide	guide à entenoir		
	310196-2-00	1	guida imbuto cal. 25,4	guide	guide à entenoir		
	310197-2-00	1	guida imbuto cal. 31,75	guide	guide à entenoir		
	310198-2-00	1	guida imbuto cal. 38,1	guide	guide à entenoir		



DESCRIPTION

BENEFICIO

DESCRIPTION

DESCRIPTION

DESCRIPTION

QTY	Part No.	Part Name	Part No.	Part Name
1	31015-2-00	guide impuro ca. 08.1	1	31015-2-00
1	31015-2-00	guide impuro ca. 01.15	1	31015-2-00
1	31015-2-00	guide impuro ca. 05.4	1	31015-2-00
1	31015-2-00	guide impuro ca. 05.9	1	31015-2-00
1	31015-2-00	guide impuro ca. 07.9	1	31015-2-00
1	31015-2-00	guide impuro ca. 07.45	1	31015-2-00
1	31015-2-00	guide impuro ca. 10.05	1	31015-2-00
1	31015-2-10	guide impuro ca. 12.3	1	31015-2-10
1	31015-2-10	guide impuro ca. 0.35	1	31015-2-10
2	31015-2-00	supporto	2	31015-2-00

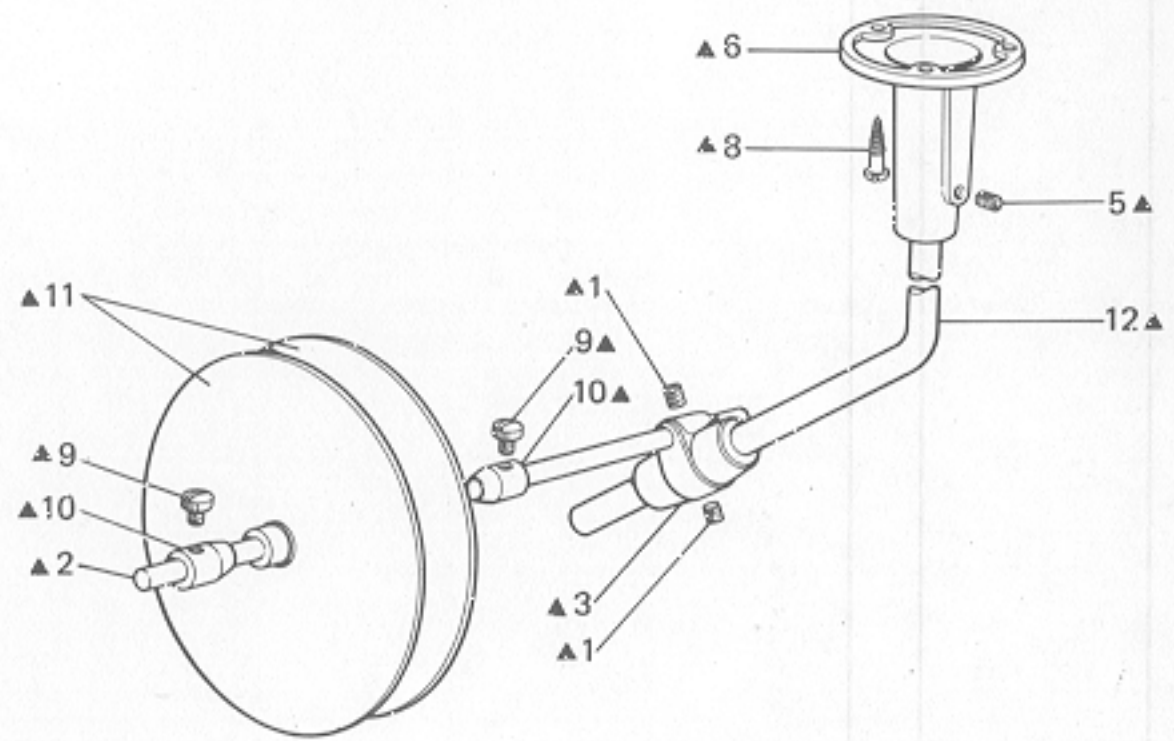
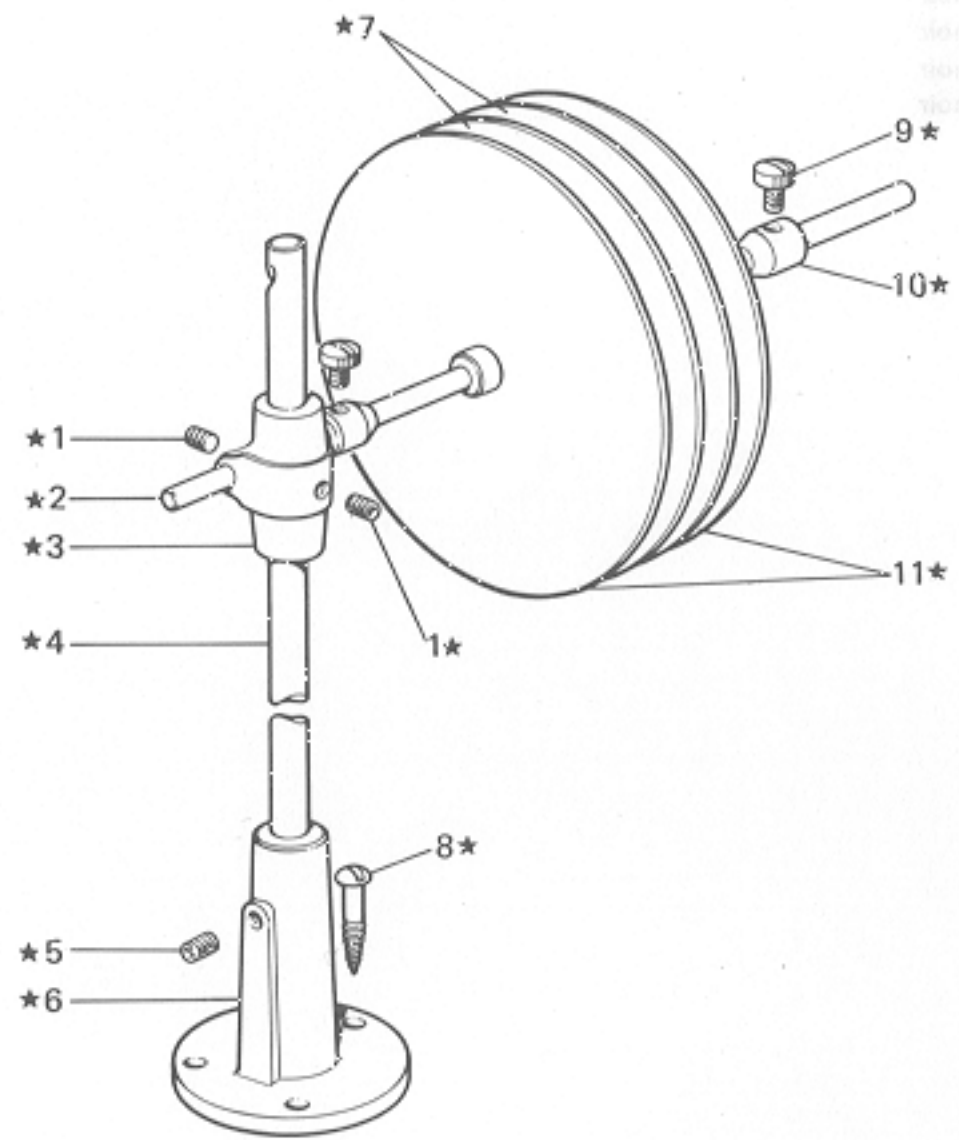
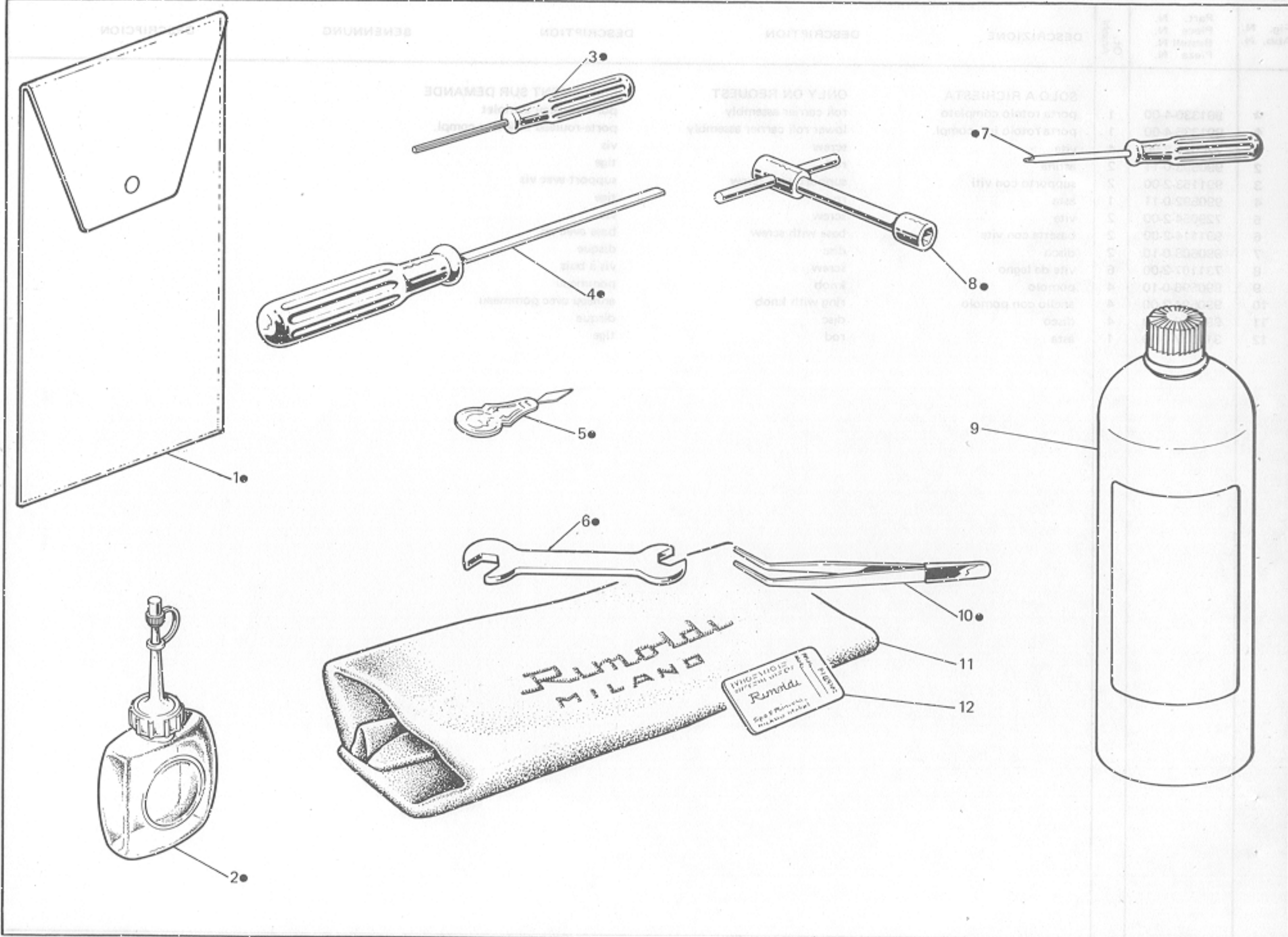


Fig. N. Abb. N.	Part. N. Piece N. Bestell N. Pieza N.	Qt. Anzahl	DESCRIZIONE	DESCRIPTION	DESCRIPTION	BENENNUNG	DESCRIPCION
★	991330-4-00	1	SOLO A RICHIESTA porta rotolo completo	ONLY ON REQUEST roll carrier assembly	SEULEMENT SUR DEMANDE porte-rouleau complet		
▲	991335-4-00	1	porta rotolo inf. compl.	lower roll carrier assembly	porte-rouleau inférieur compl.		
1	729024-2-00	4	vite	screw	vis		
2	990593-0-11	2	astina	rod	tige		
3	991153-2-00	2	supporto con viti	support with screw	support avec vis		
4	990592-0-11	1	asta	rod	tige		
5	729054-2-00	2	vite	screw	vis		
6	991114-2-00	2	basetta con vite	base with screw	base avec vis		
7	990608-0-10	2	disco	disc	disque		
8	731107-2-00	6	vite da legno	screw	vis à bois		
9	990596-0-10	4	pomolo	knob	pommeau		
10	990594-2-00	4	anello con pomoio	ring with knob	anneau avec pommeau		
11	990612-2-10	4	disco	disc	disque		
12	310077-0-00	1	asta	rod	tige		



DESCRIPTION

BENENNINGUNG

DESCRIPTION

DESCRIPTION

DESCRIZIONE

Fig. No.	Part. No.	Part. Name	QTY.	Part. No.	Part. Name	QTY.
1	901320-00	box	1	10	brush	1
2	901320-00	perfume bottle	1	11	brush holder	1
3	901320-00	small screwdriver	1	12	label	1
4	901320-00	large screwdriver	1			
5	901320-00	key	1			
6	901320-00	wrench	1			
7	901320-00	small screwdriver	1			
8	901320-00	small screwdriver	1			

Fig. N. Abb. N.	Part. N. Piece N. Bestell N. Pieza N.	Qt. Anzahl	DESCRIZIONE	DESCRIPTION	DESCRIPTION	BENENNUNG	DESCRIPCION
●	991408-4-02	1	busta accessori completa	accessories envelope assembly	envelope accessoires complète		
1	991415-0-00	1	busta accessori	accessories envelope	envelope accessoires		
2	990175-0-10	1	oliatore	olier	graisseur		
3	990474-0-11	1	chiave esagonale da 1,5 mm	1,5 mm hexagonal key	clé hexagonale de 1,5 mm		
4	990723-0-00	1	cacciavite medio	screw-driver	tournevis moyen		
5	990188-0-10	1	infilatura aghi	needle threading	enfile aiguille		
6	990193-0-00	1	chiave da 5-7 mm	5-7 mm key	clé de 5-7 mm		
7	990069-0-00	1	cacciavite piccolo	screw driver	petite tournevis		
8	990587-0-11	1	chiave a tubo da 9 mm	9 mm key	clé à tube de 9 mm		
9	991280-0-00	1	lattina olio	oil container	bidon huile		
10	990176-0-10	1	pinza per infilatura	threading tweezers	pince pour enfilage		
11	990578-0-13	1	cuffia protez. macchina	machine cover	couverture protection machine		
12	★	1	bustina aghi	needle packet	paquette aiguille		
			★ per l'ordinazione della bustina citare lo stesso simbolo dell'ago montato sulla testa	★ to order packet of needle please specify symbol of needle fitted on machine	★ pour commander un sachet d'aiguille donner le symbol de l'aiguille montée sur la tête		

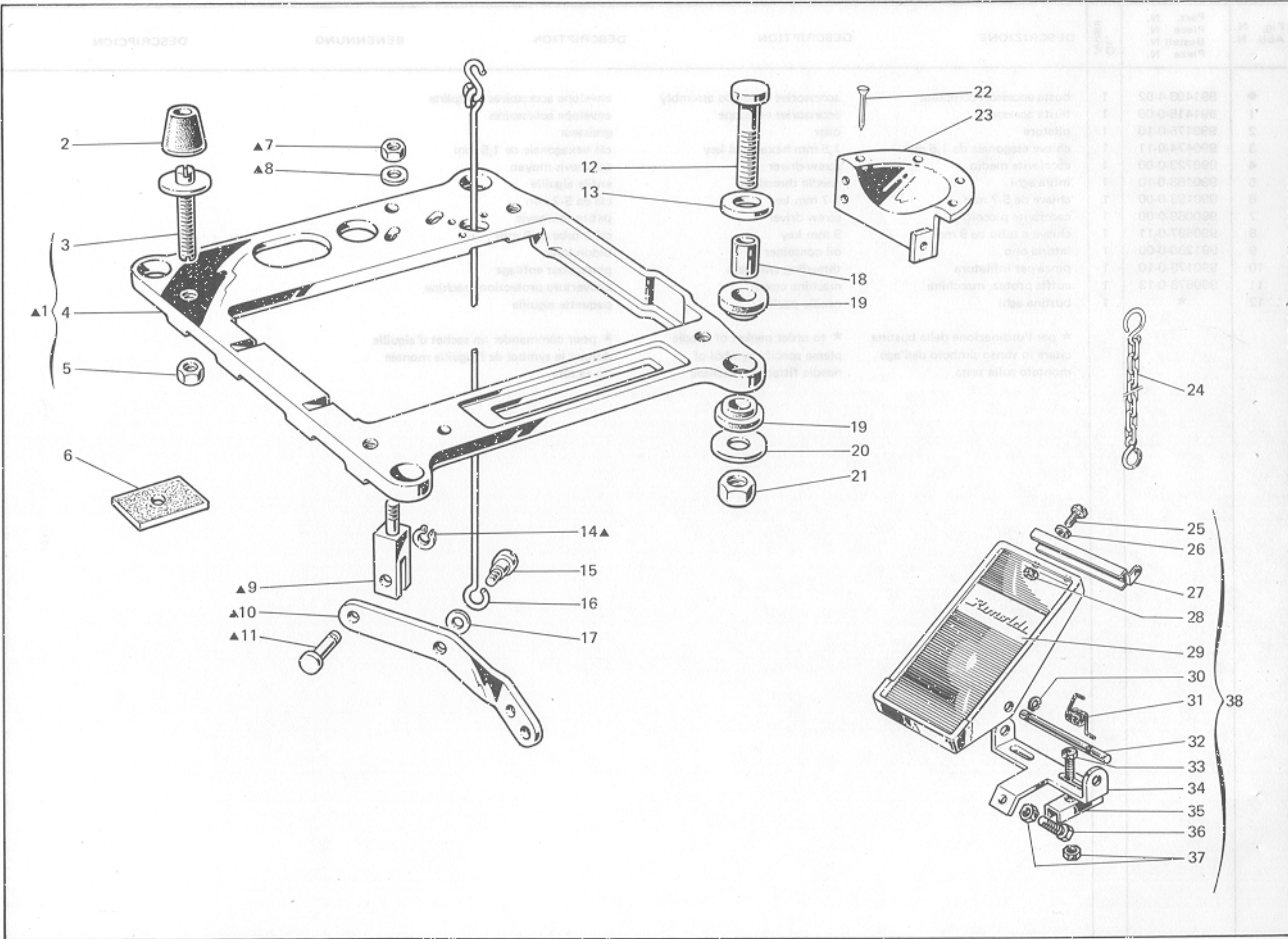




Fig. N. Abb. N.	Part. N. Bestell N. Piece N. Pieza N.	Qt. Anzahl	DESCRIZIONE	DESCRIPTION	DESCRIPTION	BENENNUNG	DESCRIPCION
▲	991253-4-00	1	PIAZZAMENTO NORMALE	NORMAL SETTING	INSTALLATION NORMAL		
1	991251-4-00	1	supporto testa completo	head support assembly	support tête complet		
2	990982-0-00	4	supporto testa con perno	head support with pin	support tête avec pivot		
3	990982-0-00	4	ammortizzatore	shock absorber	amortisseur		
4	990694-0-11	4	perno	pin	pivot		
5	991250-0-00	1	supporto testa	head support	support tête		
6	733008-2-00	4	dado	nut	écrou		
7	900203-0-10	4	ammortizzatore per tavola	shock absorber	amortisseur pour table		
8	746409-2-00	1	dado	nut	écrou		
9	704316-2-00	1	rondella	washer	rondelle		
10	991256-0-00	1	supportino per leva	support for lever	support pour levier		
11	991255-0-00	1	leva	lever	levier		
12	991257-0-00	1	perno	pin	pivot		
13	722905-2-00	4	vite	screw	vis		
14	704346-2-00	4	rondella	washer	rondelle		
15	700208-0-00	1	anello elastico	spring ring	anneau ressort		
16	743541-2-00	1	vite	screw	vis		
17	991259-3-00	1	tirante	tie-rod	tirant		
18	704310-2-00	1	rondella	washer	rondelle		
19	901102-0-00	4	distanziale	spacer	entretoise		
20	901101-0-00	8	ammortizzatore	shock absorber	amortisseur		
21	704345-2-00	4	rondella	washer	rondelle		
22	733813-0-00	4	dado	nut	écrou		
23	900201-0-10	7	chiodini	rivets	clous		
24	990317-0-10	1	protezione volantino	handwheel protection	protection volant		
25	990179-4-11	1	catenella	chain	chaînette		
26	720464-4-00	2	vite	screw	vis		
27	704009-4-00	2	rondella	washer	rondelle		
28	900926-0-00	1	attacco	coupling	raccord		
29	733508-4-00	2	dado	nut	écrou		
30	900931-0-00	1	copertura	cover, g	couverture		
31	900918-0-00	2	anello elastico	spring ring	anneau ressort		
32	900927-0-00	1	molla	spring	ressort		
33	900928-0-00	1	perno	pin	pivot		
34	720505-4-00	2	vite	screw	vis		
35	900929-0-01	1	supporto	support	support		
36	900920-0-00	2	piastrina	plate	plaquette		
37	720545-4-00	1	vite	screw	vis		
38	733510-4-00	3	dado	nut	écrou		
38	900925-4-01	1	pedalina completa	pedal assembly	pédale complète		



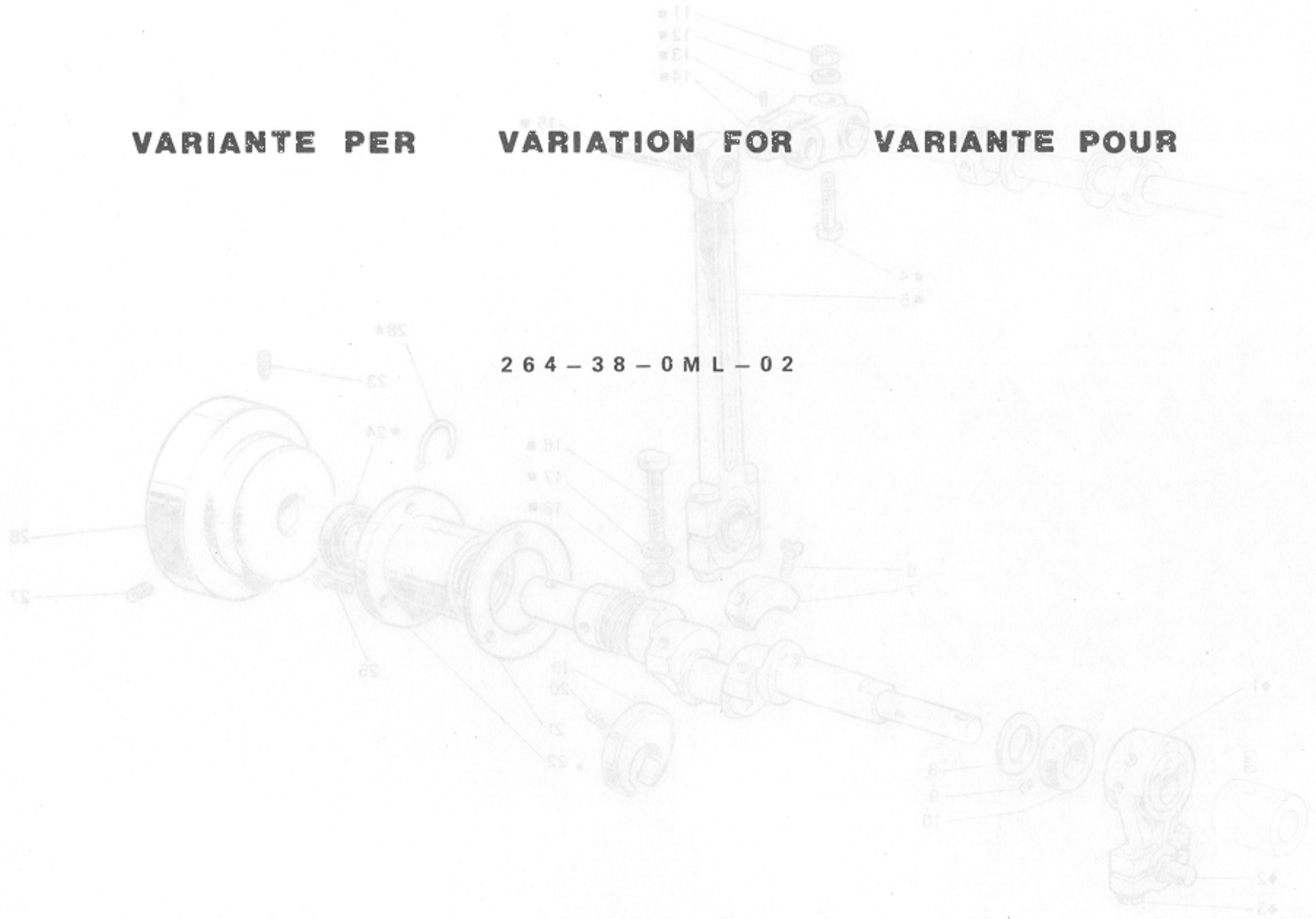
Fig. N. Abb. N.	Part. N. Piece N. Bestell N. Pieza N.	Qt. Anzahl	DESCRIZIONE	DESCRIPTION	DESCRIPTION	BENENNUNG	DESCRIPCION
			<b>PIAZZAMENTO INCASSATO</b>	<b>SUBMERGED SETTING</b>	<b>INSTALLATION ENCASTREE</b>		
▲	991254-4-00	1	supporto testa completo	head support assembly	support tête complet		
1	722920-2-00	2	vite	screw	vis		
2	704346-2-00	4	rondella	washer	rondelle		
3	733813-0-00	10	dado	nut	écrou		
4	704345-2-00	6	rondella	washer	rondelle		
5	901102-0-00	4	distanziale	spacer	entretoise		
6	901101-0-00	8	ammortizzatore	shock absorber	amortisseur		
7	900203-0-10	4	ammortizzatore per tavola	shock absorber	amortisseur pour table		
8	746409-2-00	1	dado	nut	écrou		
9	704316-2-00	1	rondella	washer	rondelle		
10	991256-0-00	1	supportino per leva	support for lever	support pour levier		
11	991255-0-00	1	leva	lever	levier		
12	991257-0-00	1	perno	pin	pivot		
13	720546-0-00	2	vite	screw	vis		
14	901251-2-00	1	staffa	bracket	bride		
15	900204-0-10	1	bussola	bush	bague		
16	990982-0-00	4	ammortizzatore	shock absorber	amortisseur		
17	901253-0-00	4	vite	screw	vis		
18	991250-0-00	1	supporto testa	head support	support tête		
19	991252-4-00	1	supporto testa con viti	head support with screws	support tête avec vis		
20	700208-0-00	1	anello elastico	spring ring	anneau ressort		
21	743541-2-00	1	vite	screw	vis		
22	991259-3-00	1	tirante	tie-rod	tirant		
23	704310-2-00	1	rondella	washer	rondelle		
24	722907-2-00	2	vite	screw	vis		
25	990179-4-11	1	catenella	chain	chafnette		
26	720464-4-00	2	vite	screw	vis		
27	704009-4-00	2	rondella	washer	rondelle		
28	900926-0-00	1	attacco	coupling	raccord		
29	733508-4-00	2	dado	nut	écrou		
30	900931-0-00	1	copertura	covering	couverture		
31	900918-0-00	2	anello elastico	spring ring	anneau ressort		
32	900927-0-00	1	molla	spring	ressort		
33	900928-0-00	1	perno	pin	pivot		
34	720505-4-00	2	vite	screw	vis		
35	900929-0-01	1	supporto	support	support		
36	900920-0-00	2	piastrina	plate	plaquette		
37	720545-4-00	1	vite	screw	vis		
38	733510-4-00	3	dado	nut	écrou		
39	900925-4-01	1	pedalina completa	pedal assembly	pédale complète		
40	733008-2-00	4	dado	nut	écrou		

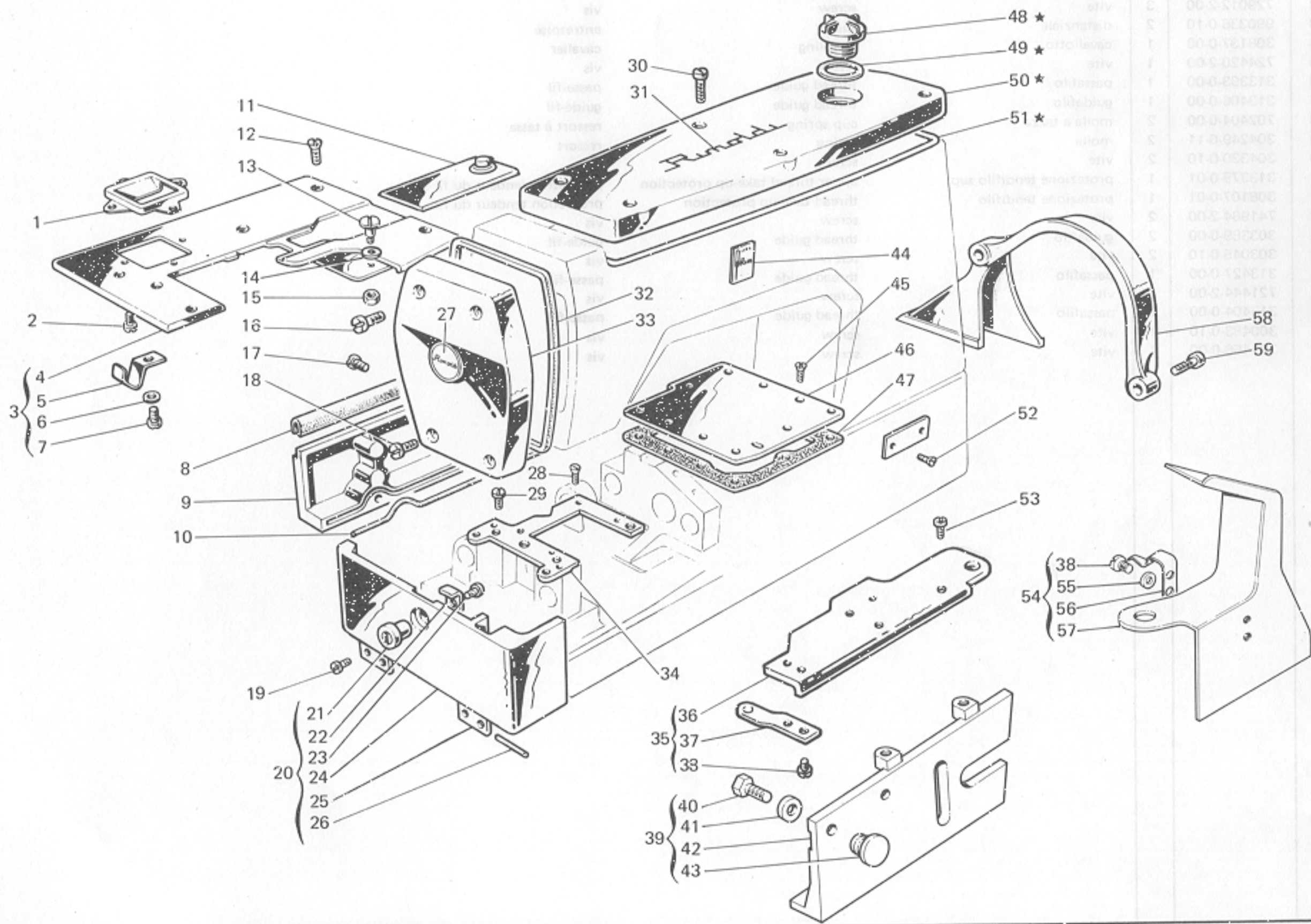
VARIANTE PER

VARIATION FOR

VARIANTE POUR

264-38-0ML-02





DESCRIPTION

BENENNUNG

DESCRIPTION

DESCRIPTION

DESCRIPTION

QTY	Part No.	Part Name	Part No.	Part Name
1	31333-0-00	base	1	base
2	31333-0-10	cover	2	cover
3	31333-0-20	cover	3	cover
4	31333-0-30	cover	4	cover
5	31333-0-40	cover	5	cover
6	31333-0-50	cover	6	cover
7	31333-0-60	cover	7	cover
8	31333-0-70	cover	8	cover
9	31333-0-80	cover	9	cover
10	31333-0-90	cover	10	cover
11	31333-0-01	cover	11	cover
12	31333-0-02	cover	12	cover
13	31333-0-03	cover	13	cover
14	31333-0-04	cover	14	cover
15	31333-0-05	cover	15	cover
16	31333-0-06	cover	16	cover
17	31333-0-07	cover	17	cover
18	31333-0-08	cover	18	cover
19	31333-0-09	cover	19	cover
20	31333-0-10	cover	20	cover
21	31333-0-11	cover	21	cover
22	31333-0-12	cover	22	cover
23	31333-0-13	cover	23	cover
24	31333-0-14	cover	24	cover
25	31333-0-15	cover	25	cover
26	31333-0-16	cover	26	cover
27	31333-0-17	cover	27	cover
28	31333-0-18	cover	28	cover
29	31333-0-19	cover	29	cover
30	31333-0-20	cover	30	cover
31	31333-0-21	cover	31	cover
32	31333-0-22	cover	32	cover
33	31333-0-23	cover	33	cover
34	31333-0-24	cover	34	cover
35	31333-0-25	cover	35	cover
36	31333-0-26	cover	36	cover
37	31333-0-27	cover	37	cover
38	31333-0-28	cover	38	cover
39	31333-0-29	cover	39	cover
40	31333-0-30	cover	40	cover
41	31333-0-31	cover	41	cover
42	31333-0-32	cover	42	cover
43	31333-0-33	cover	43	cover
44	31333-0-34	cover	44	cover
45	31333-0-35	cover	45	cover
46	31333-0-36	cover	46	cover
47	31333-0-37	cover	47	cover
48	31333-0-38	cover	48	cover
49	31333-0-39	cover	49	cover
50	31333-0-40	cover	50	cover
51	31333-0-41	cover	51	cover
52	31333-0-42	cover	52	cover
53	31333-0-43	cover	53	cover
54	31333-0-44	cover	54	cover
55	31333-0-45	cover	55	cover
56	31333-0-46	cover	56	cover
57	31333-0-47	cover	57	cover
58	31333-0-48	cover	58	cover
59	31333-0-49	cover	59	cover

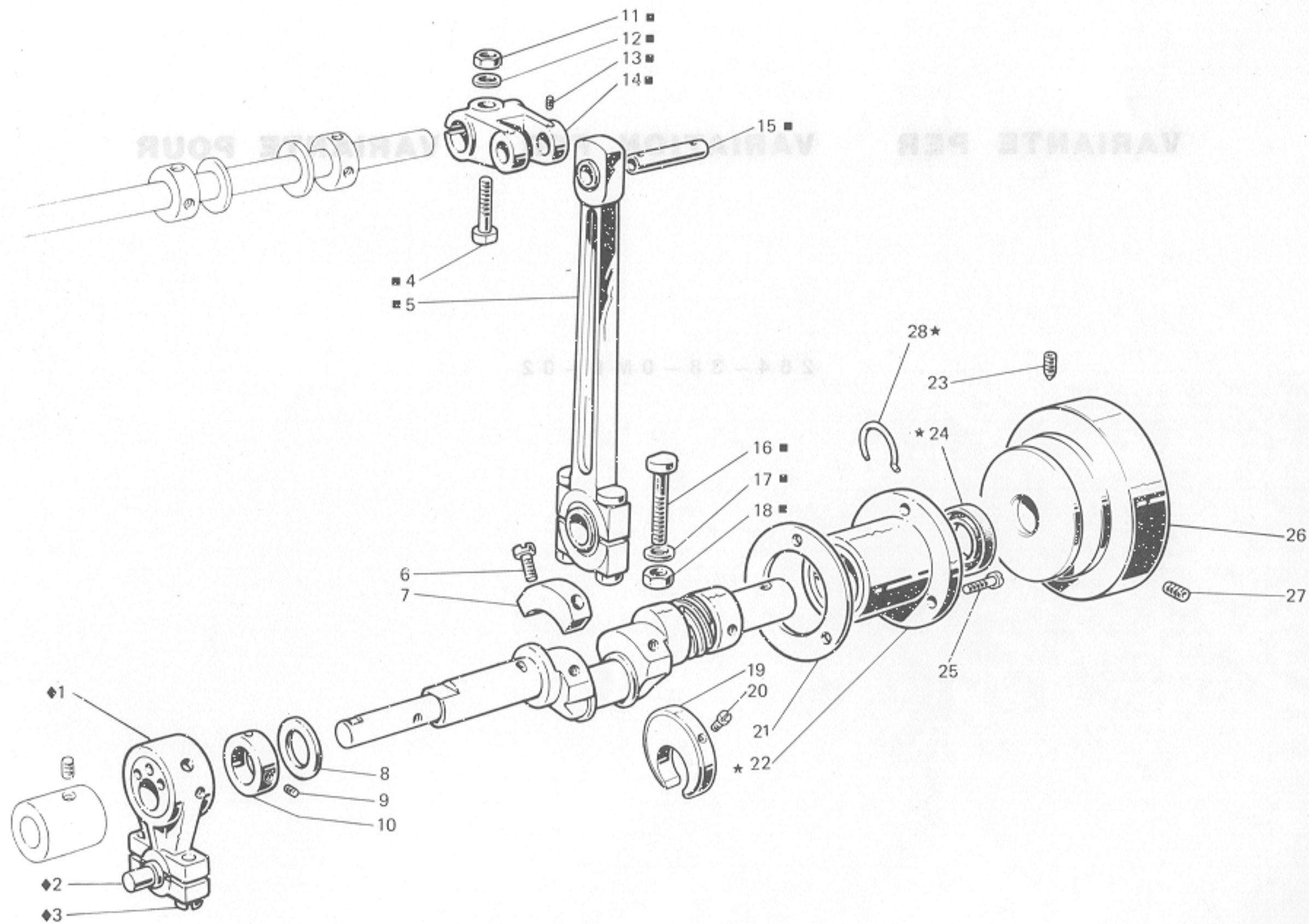


Fig. N. Abb. N.	Part. N. Piece N. Bestell N. Pieza N.	Qt. Anzahl	DESCRIZIONE	DESCRIPTION	DESCRIPTION	BENENNUNG	DESCRIPTION
★	308013-4-02	1	bussola destra completa	right bush assembly	bague droite complète		
■	308178-4-01	1	gruppo biella principale	main con-rod assembly	groupe bielle principale		
◆	310356-4-00	1	gruppo biella compl.	con-rod assembly	groupe bielle		
1	308256-3-00	1	biella con eccentrico e viti	con-rod with eccentric and screw	bielle avec excentrique et vis		
2	308310-0-00	1	perno a sfera	ball joint	pivot à sphère		
3	308802-0-00	2	vite per biella	screw for con-rod	vis pour bielle		
4	308855-0-00	1	vite	screw	vis		
5	308174-3-01	1	biella principale completa	main con-rod assembly	bielle principale complète		
6	741056-0-00	2	vite	screw	vis		
7	302272-0-10	1	settore	sector	secteur		
8	704869-0-00	1	rondella	washer	rondelle		
9	745815-2-00	2	vite	screw	vis		
10	308084-2-00	1	anello di registro con viti	adjustment ring with screw	bague de réglage avec vis		
11	746408-2-00	1	dado	nut	écrou		
12	705013-0-00	1	rondella	washer	rondelle		
13	745812-2-00	2	vite	screw	vis		
14	308159-2-01	1	manovella	crank	manivelle		
15	308166-0-00	1	perno	pin	pivot		
16	308161-0-00	2	vite	screw	vis		
17	308149-0-01	2	rondella	washer	rondelle		
18	308162-0-00	2	dado	nut	écrou		
19	304445-0-11	1	contrappeso	counterweight	contrepoids		
20	741088-2-00	2	vite	screw	vis		
21	308127-0-00	1	guarnizione	gasket	garniture		
22	308012-2-10	1	bussola	bush	bague		
23	730054-2-00	1	vite per volantino	screw for handwheel	vis pour volant		
24	700596-0-00	1	anello di tenuta	retainer ring	bague d'étanchéité		
25	742222-2-00	3	vite	screw	vis		
26	308090-0-00	1	volantino	handwheel	volant		
27	729044-2-00	1	vite	screw	vis		
28	308399-0-00	1	anello elastico	spring ring	anneau ressort		

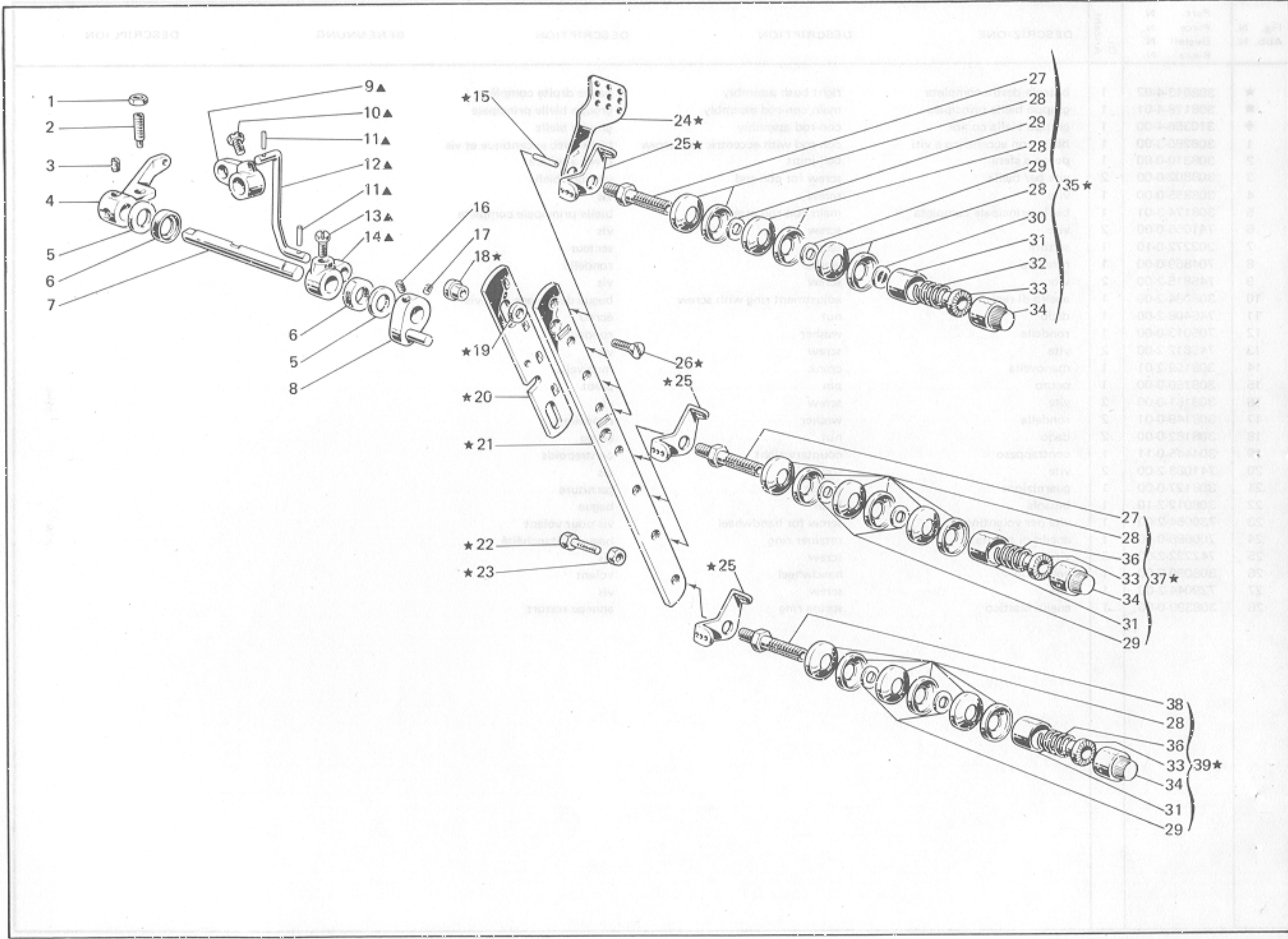




Fig. N. Abb. N.	Part. N. Piece N. Bestell N. Pieza N.	Qt. Anzahl	DESCRIZIONE	DESCRIPTION	DESCRIPTION	BENENNUNG	DESCRIPTION
★	313394-4-00	1	gruppo tensioni	tension assembly	groupe tension		
▲	308320-4-00	1	tirante con leva	tie-rod with lever	tirant avec levier		
1	746204-0-00	1	dado	nut	écrou		
2	729904-2-00	1	vite	screw	vis		
3	729034-2-00	2	vite per leva	screw for lever	vis pour levier		
4	308062-2-01	1	leva comando alza piedino	presserfoot control lever	levier soulèv. pied-presseur		
5	704240-2-00	2	rondella	washer	rondelle		
6	304763-0-10	2	anello di tenuta	retainer ring	bague d'étanchéité		
7	308996-0-02	1	albero comando alza piedino	shaft	arbre soulèv. pied-presseur		
8	308495-2-01	1	leva sblocca tensione	lever	levier		
9	302232-0-10	1	leva superiore	upper lever	levier supérieur		
10	740632-2-00	1	vite	screw	vis		
11	707241-0-00	2	spina elastica	split pin	goupille réglable		
12	308321-0-00	1	tirante	tie-rod	tirant		
13	740034-0-00	1	vite per leva	screw for lever	vis pour levier		
14	302238-0-10	1	leva per tirante	tie-rod lever	levier pour tirant		
15	313402-0-00	4	pernetto	pin	pivot		
16	745126-2-00	1	vite	screw	vis		
17	727834-2-00	1	vite	screw	vis		
18	308512-0-00	2	distanziale	spacer	entretoise		
19	701405-0-00	2	anello	ring	anneau		
20	308502-0-00	1	slitta per tensione	slide for tension	glissière pour tension		
21	308548-0-00	1	supporto	support	support		
22	202214-0-10	1	vite	screw	vis		
23	733505-2-00	1	dado	nut	écrou		
24	313401-0-00	8	passafilo	thread guide	passe-fil		
25	313400-0-00	8	guidafilo	thread guide	guide-fil		
26	744676-2-00	2	vite	screw	vis		
27	313398-0-00	7	perno a vite	threaded pin	pivot à vis		
28	300218-0-10	48	disco tensione	tension disc	disque tension		
29	704821-0-00	16	rondella	washer	rondelle		
30	308507-0-00	4	rondella	washer	rondelle		
31	202556-0-00	8	scodellino	cup	cuvette		
32	200710-0-10	4	molla	spring	ressort		
33	202229-0-10	8	bussola superiore	upper bush	bague supérieure		
34	202558-2-00	8	pomolo	knob	pommeau		
35	313395-4-00	4	tensione ago	needle tension	tension aiguille		
36	200714-0-10	4	molla	spring	ressort		
37	313396-4-00	3	tensione crochet inferiore	lower looper tension	tension crochet inférieur		
38	313399-0-00	1	perno	pin	pivot		
39	313397-4-00	1	tensione crochet inferiore	lower looper tension	tension crochet inférieur		

DESCRIPTION

BEWEHRUNG

DESCRIPTION

DESCRIPTION

DESCRIPTION

QTY	Part No.	Part Name
1	31304-00	...
1	30920-00	...
1	30921-00	...
1	30922-00	...
1	30923-00	...
1	30924-00	...
1	30925-00	...
1	30926-00	...
1	30927-00	...
1	30928-00	...
1	30929-00	...
1	30930-00	...
1	30931-00	...
1	30932-00	...
1	30933-00	...
1	30934-00	...
1	30935-00	...
1	30936-00	...
1	30937-00	...
1	30938-00	...
1	30939-00	...
1	30940-00	...
1	30941-00	...
1	30942-00	...
1	30943-00	...
1	30944-00	...
1	30945-00	...
1	30946-00	...
1	30947-00	...
1	30948-00	...
1	30949-00	...
1	30950-00	...
1	30951-00	...
1	30952-00	...
1	30953-00	...
1	30954-00	...
1	30955-00	...
1	30956-00	...
1	30957-00	...
1	30958-00	...
1	30959-00	...
1	30960-00	...
1	30961-00	...
1	30962-00	...
1	30963-00	...
1	30964-00	...
1	30965-00	...
1	30966-00	...
1	30967-00	...
1	30968-00	...
1	30969-00	...
1	30970-00	...
1	30971-00	...
1	30972-00	...
1	30973-00	...
1	30974-00	...
1	30975-00	...
1	30976-00	...
1	30977-00	...
1	30978-00	...
1	30979-00	...
1	30980-00	...
1	30981-00	...
1	30982-00	...
1	30983-00	...
1	30984-00	...
1	30985-00	...
1	30986-00	...
1	30987-00	...
1	30988-00	...
1	30989-00	...
1	30990-00	...
1	30991-00	...
1	30992-00	...
1	30993-00	...
1	30994-00	...
1	30995-00	...
1	30996-00	...
1	30997-00	...
1	30998-00	...
1	30999-00	...
1	31000-00	...

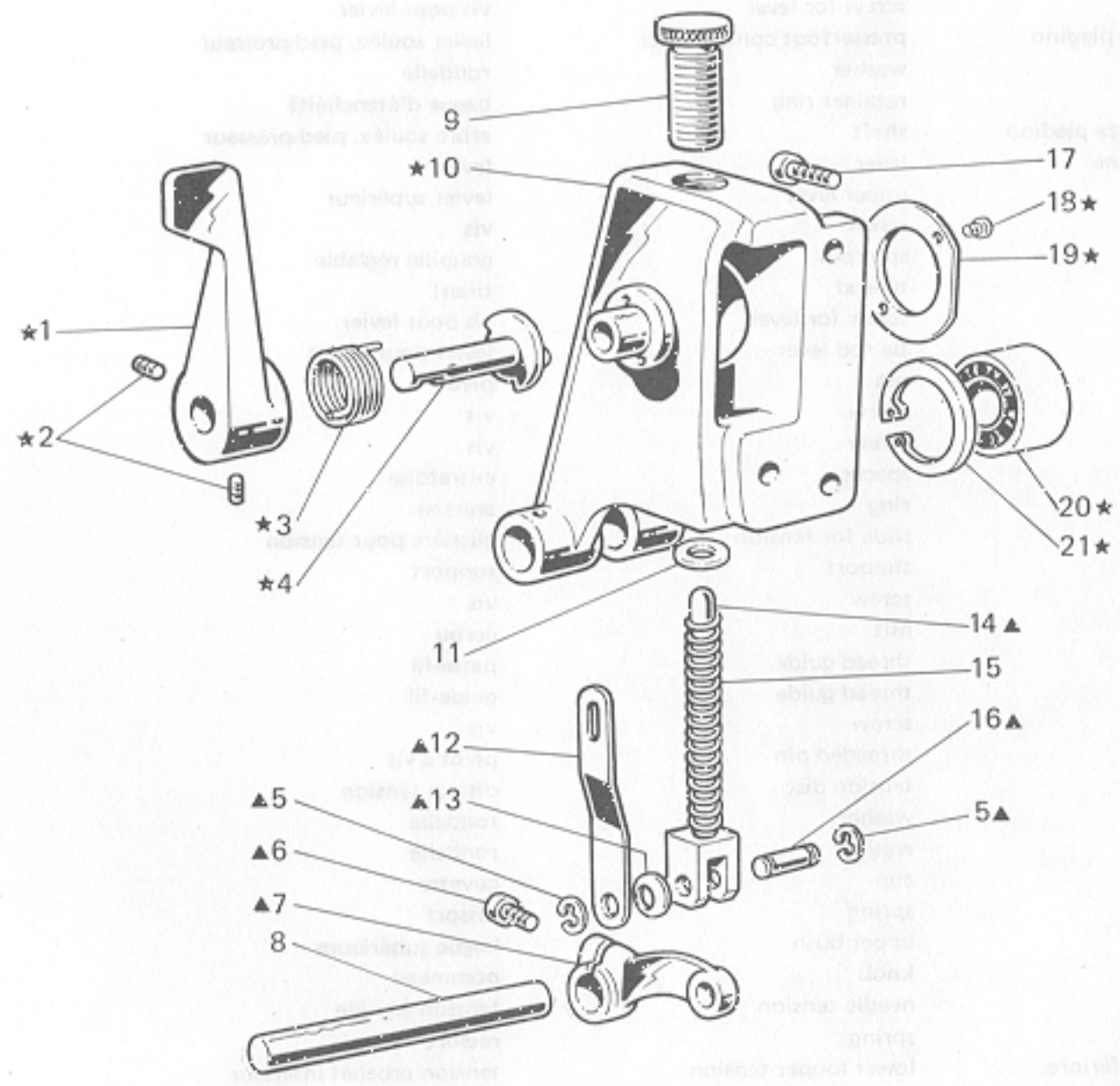
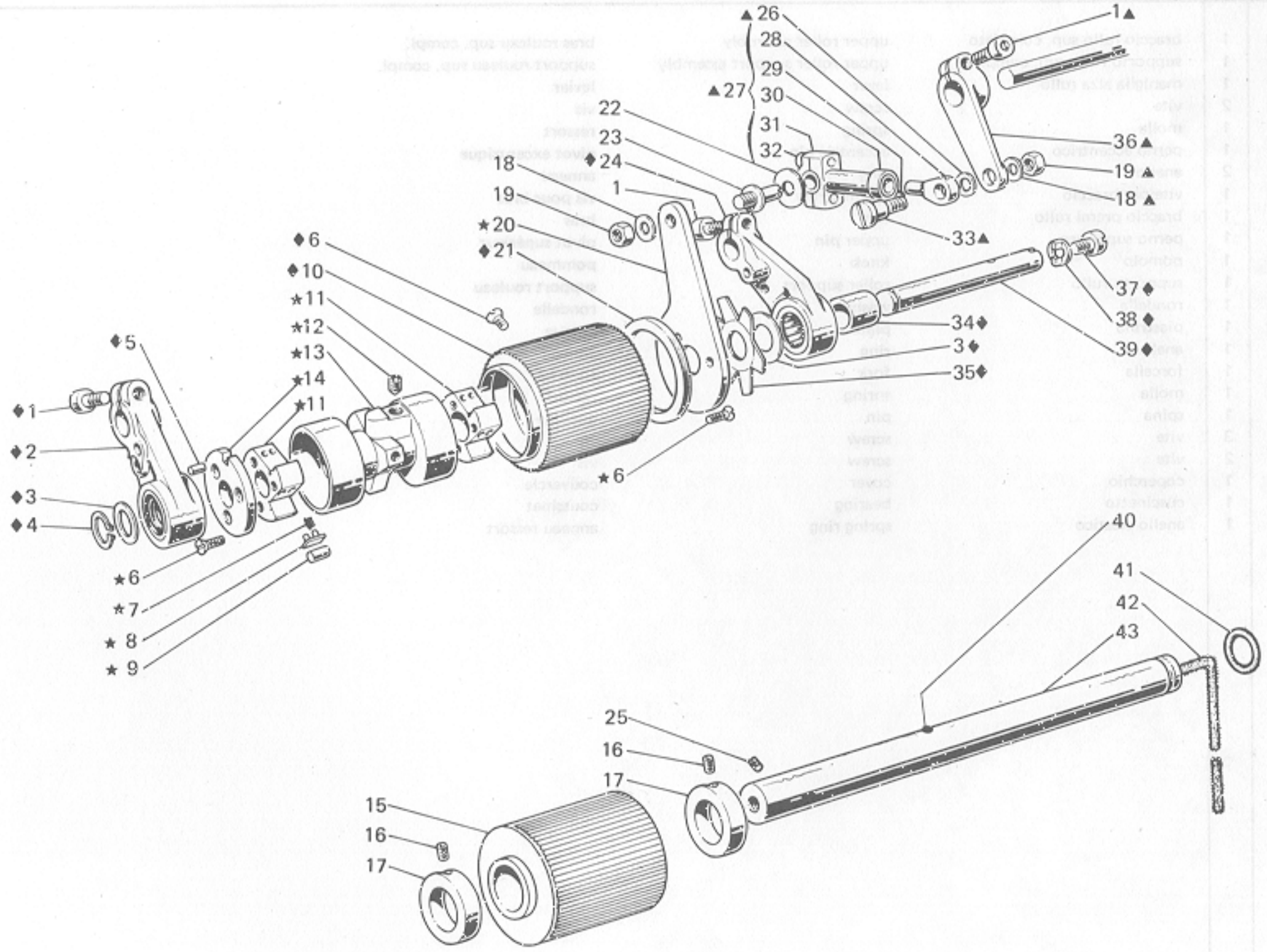


Fig. N. Abb. N.	Part. N. Piece N. Bestell N. Pieza N.	Qt. Anzahl	DESCRIZIONE	DESCRIPTION	DESCRIPTION	BENENNUNG	DESCRIPCION
▲	307584-4-00	1	braccio rullo sup. completo	upper roller assembly	bras rouleau sup. compl.		
★	307596-4-00	1	supporto rullo sup. completo	upper roller support assembly	support rouleau sup. compl.		
-1	307616-2-00	1	maniglia alza rullo	lever	levier		
2	729043-2-00	2	vite	screw	vis		
3	307701-0-00	1	molla	spring	ressort		
4	307656-0-11	1	perno eccentrico	eccentric pin	pivot excentrique		
5	700206-0-00	2	anello	ring	anneau		
6	722432-2-00	1	vite per braccio	worm screw	vis pour bras		
7	307612-2-10	1	braccio premi rullo	arm	bras		
8	307752-0-01	1	perno superiore	upper pin	pivot supérieur		
9	307705-0-00	1	pomolo	knob	pommeau		
10	307682-3-10	1	supporto rullo	roller support	support rouleau		
11	704814-0-00	1	rondella	washer	rondelle		
12	307615-0-10	1	piastrina	plate	plaque		
13	307605-0-00	1	anello	ring	anneau		
14	307618-0-10	1	forcella	fork	fourche		
15	301510-0-10	1	molla	spring	ressort		
16	307617-0-10	1	spina	pin	goupille		
17	722443-2-00	3	vite	screw	vis		
18	721412-2-00	2	vite	screw	vis		
19	307640-0-00	1	coperchio	cover	couvercle		
20	307639-0-00	1	cuscinetto	bearing	coussinet		
21	700131-0-00	1	anello elastico	spring ring	anneau ressort		

DESCRIZIONE	BENENNING	DESCRIPTION	DESCRIPTION	DESCRIPTION
-------------	-----------	-------------	-------------	-------------



Q.TA	DESCRIZIONE	DESCRIPTION	DESCRIPTION	DESCRIPTION
1	30784-00			
1	30785-00			
1	30786-00			
2	32843-00			
1	30787-00			
1	30788-01			
2	30789-00			
1	32132-00			
1	30792-01			
1	30793-01			
1	30794-00			
1	30795-00			
1	30796-00			
1	30797-00			
1	30798-00			
1	30799-00			
1	30800-00			
1	30801-00			
1	30802-00			
1	30803-00			
1	30804-00			
1	30805-00			
1	30806-00			
1	30807-00			
1	30808-00			
1	30809-00			
1	30810-00			
1	30811-00			
1	30812-00			
1	30813-00			
1	30814-00			
1	30815-00			
1	30816-00			
1	30817-00			
1	30818-00			
1	30819-00			
1	30820-00			
1	30821-00			

Fig. N. Abb. N.	Part. N. Piece N. Bestell N. Pieza N.	Qt. Anzahl	DESCRIZIONE	DESCRIPTION	DESCRIPTION	BENENNUNG	DESCRIPTION
◆	310515-4-00	1	gruppo rullo motore superiore (con *)	upper motor roller assembly (with *)	groupe rouleau moteur sup. (avec *)		
*	307715-4-01	1	gruppo frizione superiore	upper clutch assembly	groupe friction supérieure		
▲	307606-4-00	1	gruppo biella	con-rod assembly	groupe bielle		
1	722432-2-00	3	vite	screw	vis		
2	307658-3-10	1	giunto sinistro con spina	left joint with pin	joint gauche avec goupille		
3	705027-0-00	2	rondella	washer	rondelle		
4	700010-0-00	1	anello elastico	spring ring	anneau ressort		
5	706434-0-00	1	spina per giunto sinistro	pin for left joint	goupille pour joint gauche		
6	724471-0-00	9	vite	screw	vis		
7	301531-0-10	12	molla	spring	ressort		
8	301530-2-10	6	piastrina	plate	plaque		
9	301527-0-10	6	rullino	roller	rouleau		
10	310172-0-00	1	rullo superiore	upper roller	rouleau supérieur		
11	301523-0-10	2	settore	sector	secteur		
12	730033-2-00	1	vite	screw	vis		
13	307627-2-00	1	mozzo	hub	moyeu		
14	307629-0-00	1	disco fisso	disc	disque		
15	310179-2-00	1	rullo inferiore	lower roller	rouleau inférieur		
16	745812-2-00	4	vite	screw	vis		
17	307673-2-00	2	anello di registro con viti	spring ring with screw	anneau ressort avec vis		
18	704314-0-00	2	rondella	washer	rondelle		
19	746203-4-00	2	dado	nut	écrou		
20	307633-0-01	1	braccio a manovella	crank arm	bras à manivelle		
21	307631-0-00	1	corona freno	crown	couronne		
22	306246-0-00	1	rondella feltro	felt washer	rondelle feutre		
23	307634-0-00	1	perno	pin	pivot		
24	307668-3-10	1	giunto destro	right joint	joint droit		
25	729013-2-00	1	vite fissaggio albero	shaft screw	vis blocage arbre		
26	704812-0-00	1	rondella	washer	rondelle		
27	307660-4-00	1	biella completa	con-rod assembly	bielle complète		
28	307635-0-00	1	piede biellino	con-rod small end	ped de bielle		
29	305194-0-00	1	vite per fascetta	screw for clamp	vis pour bride		
30	308326-2-01	1	fascetta con vite	clamp with screw	bride avec vis		
31	307659-3-00	1	testa di biella	con-rod big end	tête de bielle		
32	744040-2-00	2	vite	screw	vis		
33	307636-0-00	1	perno a vite	threaded pin	pivot à vis		
34	307624-0-00	1	bussola	bush	bague		
35	307632-0-00	1	molla a stella	spring	ressort		
36	307637-2-10	1	braccio sinistro	left arm	bras gauche		
37	742458-0-00	1	vite	screw	vis		
38	307630-0-00	1	rondella di trascinamento	washer	rondelle		
39	307625-0-00	1	albero	shaft	arbre		
40	778205-0-00	1	stoppino	wick	mèche		
41	701113-0-00	1	anello di tenuta	retainer ring	bague d'étanchéité		
42	778434-0-00	1	stoppino	wick	mèche		
43	310181-4-00	1	albero inferiore	lower shaft	arbre inférieur		

DESCRIPTION

BEZEICHNUNG

DESCRIPTION

DESCRIPTION

DESCRIPTION

QTY	Part No.	Part Name
1	310815-4-00	gruppo vallo motore superiore
1	307315-4-01	gruppo vallo motore superiore
1	307824-4-00	gruppo vallo
3	122432-2-00	vite
1	307825-2-10	perno di collegamento con viti
2	108027-0-00	forchella
1	100010-0-00	vallo motore
1	108024-0-00	perno di collegamento con viti
4	124471-0-00	vite
12	301521-0-10	vite
3	301522-0-10	vite
10	310117-0-00	vite
14	301822-0-00	vite
12	124022-0-00	vite
13	307822-0-00	vite
14	307823-0-00	vite
17	310115-2-00	vite
18	148812-2-00	vite
13	307822-0-00	vite
17	104314-0-00	forchella
19	148022-0-00	vite
20	307823-0-01	perno di collegamento con viti
21	307821-0-00	perno di collegamento con viti
22	308246-0-00	forchella
23	301822-0-00	vite
24	301822-0-00	vite
25	301822-0-00	vite
26	301822-0-00	vite
27	301822-0-00	vite
28	301822-0-00	vite
29	307824-0-00	gruppo vallo motore superiore
30	307824-0-00	gruppo vallo motore superiore
31	307824-0-00	gruppo vallo motore superiore
32	307824-0-00	gruppo vallo motore superiore
33	307824-0-00	gruppo vallo motore superiore
34	307824-0-00	gruppo vallo motore superiore
35	307824-0-00	gruppo vallo motore superiore
36	307824-0-00	gruppo vallo motore superiore
37	307824-0-00	gruppo vallo motore superiore
38	307824-0-00	gruppo vallo motore superiore
39	307824-0-00	gruppo vallo motore superiore
40	307824-0-00	gruppo vallo motore superiore
41	307824-0-00	gruppo vallo motore superiore
42	307824-0-00	gruppo vallo motore superiore
43	307824-0-00	gruppo vallo motore superiore

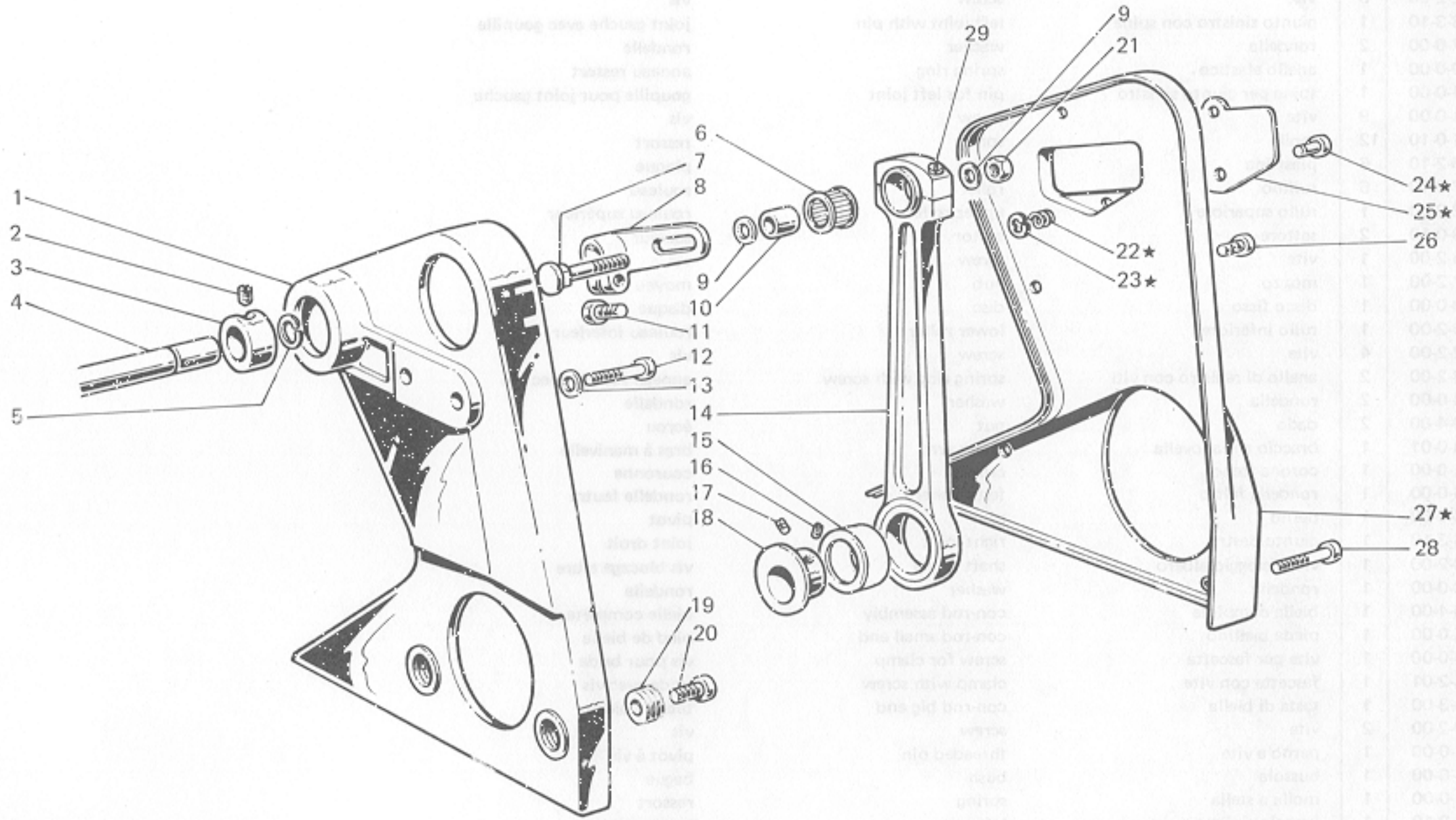


Fig. N. Abb. N.	Part. N. Pezce N. Bestell N. Pieza N.	Qt. Anzahl	DESCRIZIONE	DESCRIPTION	DESCRIPTION	BENENNUNG	DESCRIPTION
★	307698-4-00	1	carter supporto destro compl.	right support cover assembly	carter support droite compl.		
1	307687-3-00	1	supporto destro con cuscinetto	right support with bearing	support droite avec coussinet		
2	745827-2-00	2	vite	screw	vis		
3	100915-2-00	1	anello di registro	adjustment ring	bague de réglage		
4	307638-0-00	1	albero	shaft	arbre		
5	307736-0-00	1	anello elastico	spring ring	anneau ressort		
6	201357-0-10	1	gabbia a rulli	needles cage	cage à aiguilles		
7	304086-0-10	1	perno filettato	threaded pin	pivot fileté		
8	307641-2-01	1	braccio destro con vite	right arm with screw	bras droite avec vis		
9	704216-2-00	2	rondella	washer	rondelle		
10	304436-0-10	1	anello	ring	anneau		
11	300377-0-00	1	vite	screw	vis		
12	722443-2-00	2	vite	screw	vis		
13	704226-2-00	2	rondella	washer	rondelle		
14	307653-3-00	1	biella completa	con-rod assembly	bielle complète		
15	308689-0-00	1	cuscinetto	bearing	coussinet		
16	730023-2-00	1	vite	screw	vis		
17	729013-2-00	1	vite	screw	vis		
18	307644-2-00	1	eccentrico per biella	eccentric for con-rod	excentrique pour bielle		
19	307688-0-00	2	vite forata	screw	vis		
20	742068-2-00	2	vite	screw	vis		
21	746021-2-00	1	diado	nut	écrou		
22	910071-0-10	1	molla	spring	ressort		
23	700205-0-00	1	snello elastico	spring ring	anneau ressort		
24	990311-0-10	1	perno	pin	pivot		
25	307649-0-00	1	coperchio	cover	couvercle		
26	722431-2-00	3	vite	screw	vis		
27	307675-2-00	1	carter destro	right cover	carter droite		
28	722481-2-00	2	vite	screw	vis		
29	743482-2-00	2	vite	screw	vis		

Fig. N. Abb. N.	Part. N. Bestell N. Pieza N.	Qt. Anzahl	DESCRIZIONE	DESCRIPTION	DESCRIPTION	BENENNUNG	DESCRIPCION
★	308103-4-10	1	coperchio sup. completo	upper cover assembly	ccouvercle sup. complet		
1	309077-0-10	1	carterino	cover	carter		
2	741520-2-00	4	vite	screw	vis		
3	309061-4-01	1	piano di lavoro completo	working plate assembly	plan de travail complet		
4	309035-2-02	1	piano di lavoro	working plate	plan de travail		
5	309351-0-00	1	molla	spring	ressort		
6	704306-2-00	1	rondella	washer	rondelle		
7	720411-2-00	1	vite	screw	vis		
8	309088-0-01	1	guarnizione	gasket	garniture		
9	309086-0-01	1	carter posteriore	rear cover	carter arrière		
10	309084-0-00	1	guarnizione	gasket	garniture		
11	309301-2-00	1	coperchio scorrevole	sliding cover	couvercle coulissant		
12	744636-2-00	5	vite	screw	vis		
13	309365-0-00	1	vite	screw	vis		
14	309562-0-00	1	rondella	washer	rondelle		
15	733507-2-00	1	dado	nut	écrou		
16	302354-0-10	1	vite superiore	upper screw	vis supérieure		
17	741088-2-00	3	vite per carter posteriore	screw for rear cover	vis pour carter arrière		
18	302353-0-10	1	vite inferiore	lower screw	vis inférieure		
19	300483-0-10	4	vite per cerniera	screw for hinge	vis pour charnière		
20	312579-4-00	1	carter laterale completo	side cover assembly	carter latéral complet		
21	309372-0-00	1	perno	pin	pivot		
22	309371-0-00	1	chiavistello	key	clé		
23	741658-2-00	1	vite	screw	vis		
24	312578-3-00	1	carter laterale	side cover	carter latéral		
25	309332-0-00	2	cerniera	hinge	charnière		
26	707556-0-00	2	spina	pin	goupille		
27	304662-0-10	1	targhetta	plate	plaque		
28	744730-0-00	4	vite per placca ago	screw for needle plate	vis pour plaque à aiguille		
29	302355-0-10	3	vite per piastra	screw for plate	vis pour plaque		
30	742282-2-00	6	vite per coperchio	screw for cover	vis pour couvercle		
31	300006-0-12	2	decalcomania	decalcomania	décalcomanie		
32	308126-0-01	1	guarnizione coperchio	cover gasket	garniture couvercle		
33	308100-0-01	1	coperchio laterale	side cover	couvercle latéral		
34	308739-2-00	1	piastra porta placca	plate	plaque		
35	310193-4-00	1	piastra piano lavoro compl.	plate assembly	plaque complète		
36	310058-0-00	1	piastra piano lavoro	plate	plaque		
37	204188-0-10	1	molla	spring	ressort		
38	721412-2-00	4	vite	screw	vis		
39	310089-4-00	1	carter anteriore completo	front cover assembly	carter avant complet		
40	740245-2-00	1	vite	screw	vis		
41	704213-2-00	1	rondella	washer	rondelle		
42	310059-0-10	1	carter anteriore	front cover	carter avant		
43	200269-0-10	1	pomoio	knob	pommeau		
44	788120-0-01	1	decalcomania sist. aghi	needle syst. decalcomania	décalcomanie syst. aiguille		
45	741936-2-00	10	vite per piastra	screw for plate	vis pour plaque		
46	309324-2-10	1	piastra superiore	upper plate	plaque supérieure		
47	309323-0-00	1	guarnizione	gasket	garniture		
48	202239-0-10	1	cupolina	cup	coupole		



DESCRIPTION

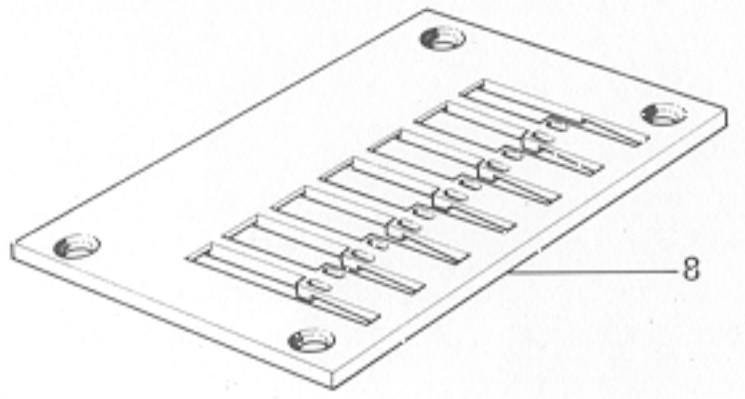
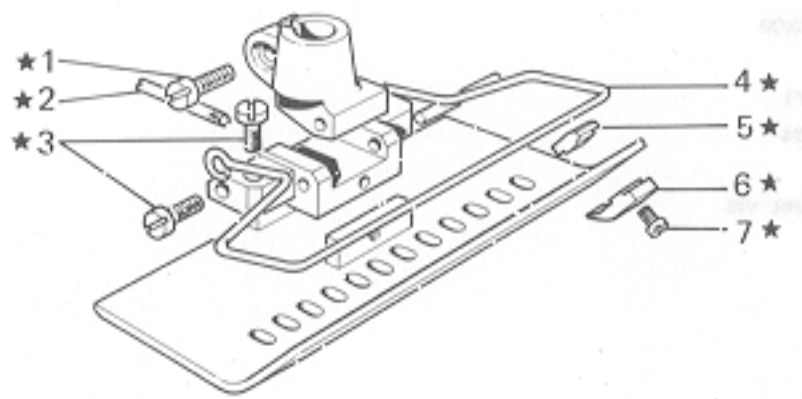
BESTEMMUNG

DESCRIPTION

DESCRIPTION

DESCRIPTION

QTY	Part No.	Part Name	Part No.	Part Name
1	30788-4-00	Center support detent control	1	30788-4-00
1	30787-3-00	Support lever for cushion	1	30787-3-00
2	71827-2-00	Washer	2	71827-2-00
1	10018-2-00	Washer for roller	1	10018-2-00
1	30708-0-00	Washer	1	30708-0-00
1	30738-0-00	Spring ring	1	30738-0-00
1	20137-0-10	Roller cap	1	20137-0-10
1	30408-0-10	Washer cap	1	30408-0-10
1	30747-2-01	Right arm with screw	1	30747-2-01
2	70876-2-00	Washer	2	70876-2-00
1	30748-0-10	Washer	1	30748-0-10
1	30037-0-00	Washer	1	30037-0-00
2	70847-2-00	Washer	2	70847-2-00
1	30738-0-10	Washer	1	30738-0-10
1	30782-3-00	Detent assembly	1	30782-3-00
1	30888-0-00	Cushion	1	30888-0-00
1	73073-2-00	Washer	1	73073-2-00
1	73072-2-00	Washer	1	73072-2-00
1	30747-2-00	Washer for roller	1	30747-2-00
2	30788-0-00	Washer	2	30788-0-00
2	71208-2-00	Washer	2	71208-2-00
1	70877-2-00	Washer	1	70877-2-00
1	81071-0-10	Washer	1	81071-0-10
1	70008-0-00	Washer	1	70008-0-00
1	80071-0-10	Washer	1	80071-0-10
1	80709-0-00	Washer	1	80709-0-00
2	73282-2-00	Washer	2	73282-2-00
1	80707-2-00	Washer	1	80707-2-00
2	73281-2-00	Washer	2	73281-2-00
2	70823-2-00	Washer	2	70823-2-00



right support cover screw  
right support with padding  
screw  
adjustment ring  
spring  
spring ring  
roller cap  
washed pin  
right arm with screw  
washer  
ring  
screw  
screw  
washer  
center rod assembly  
bearing  
screw  
screw  
screw for roller  
screw  
screw  
nut  
spring  
detent ring  
cover  
cover  
screw  
screw  
screw

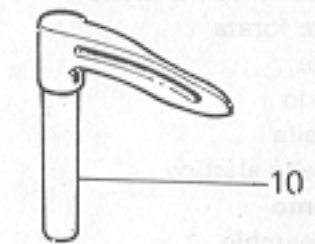
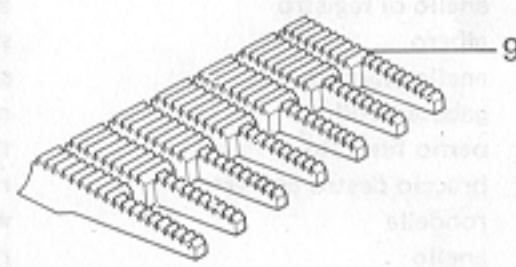


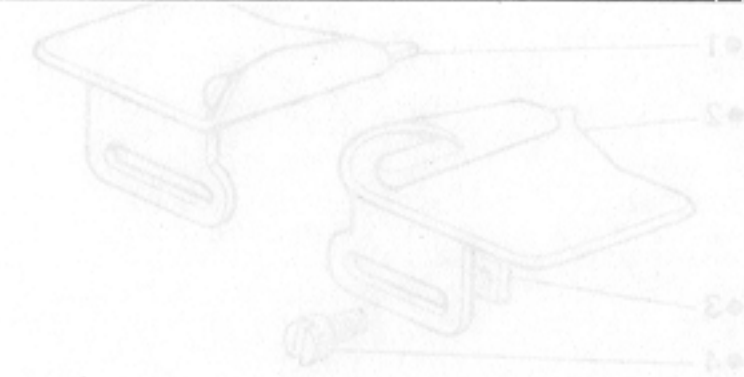
Fig. N. Abb. N.	Part. N. Piece N. Bestell N. Pieza N.	N. N. N. N.	Qt. Anzahl	DESCRIZIONE	DESCRIPTION	DESCRIPTION	BENENNUNG	DESCRIPTION
★	313372-3-00		1	piedino completo	presserfoot assembly	pied-presseur complet		
1	741721-2-00		1	vite	screw	vis		
2	306447-0-10		1	spina filettata	pin	goupille		
3	741579-0-00		4	vite	screw	vis		
4	990834-0-00		1	salvadita	protection	protection		
5	304169-0-10		6	dado	nut	écrou		
6	313421-0-00		6	blocchetto guida	guide block	bloc guide		
7	741532-2-00		6	vite	screw	vis		
8	313407-0-00		1	placca ago	needle plate	plaque à aiguille		
9	313408-0-00		1	griffa	feed dog	griffe		
10	304186-0-13		12	crochet inferiore	lower looper	crochet inférieur		
11	785341-0-40		1	targhetta classe testa	head class plate	plaque classe tête		



Fig. N. Abb. N.	Part. N. Piece N. Bestell N. Pieza N.	Ot. Anzahl	DESCRIZIONE	DESCRIPTION	DESCRIPTION	BENENNUNG	DESCRIPCION
			<b>SOLO A RICHIESTA</b>	<b>ONLY ON REQUEST</b>	<b>SEULEMENT SUR DEMANDE</b>		
★	310157-4-00	1	piastra ribaltabile compl.	plate assembly	plaque complète		
▲	310195-4-00	1	gruppo guide	guide assembly	groupe guide		
●	310194-4-00	1	gruppo guide	guide assembly	groupe guide		
◆	310166-4-00	1	gruppo frenaggio inf.	lower brake group	groupe freinage inf.		
1	310190-2-00	1	guida destra	right guide	guide droite		
2	310189-2-00	1	guida sinistra	left guide	guide gauche		
3	310057-0-00	4	piastrina	plâte	plaque		
4	300917-0-10	4	pomolo	knob	pommeau		
5	310191-2-00	1	guida sinistra	left guide	guide gauche		
6	310167-0-00	2	vite	screw	vis		
7	200356-0-10	2	vite	screw	vis		
8	704210-4-00	2	rondella	washer	rondelle		
9	310188-0-00	2	guida inferiore	lower guide	guide inférieur		
10	310192-2-00	1	guida destra	right guide	guide droite		
11	310078-0-00	2	rondella	washer	rondelle		
12	200698-0-10	2	perno a vite	threaded pin	pivot à vis		
13	310076-0-00	2	lamina	sheet	plaque		
14	200713-0-10	2	molla	spring	ressort		
15	200074-0-10	2	bussola	bush	bague		
16	200699-0-10	2	pomolo	knob	pommeau		
17	930298-4-10	1	perno sup. completo	upper pin assembly	pivot supérieur compl.		
18	930297-0-10	1	perno filettato	pin	pivot		
19	702437-0-00	1	molla a tazza	cup spring	ressort à tasse		
20	704216-2-00	1	rondella	washer	rondelle		
21	300406-0-10	1	vite	screw	vis		
22	310052-0-00	1	anello	ring	anneau		
23	310053-0-00	1	perno	pin	pivot		
24	930291-4-10	1	perno inf. completo	lower pin assembly	pivot inférieur compl.		
25	930290-0-10	1	perno filettato	pin	pivot fileté		
26	302151-0-10	1	scodellino	cup	cuvette		
27	302150-0-10	1	molla	spring	ressort		
28	302349-0-10	1	vite	screw	vis		
29	310051-0-00	1	perno	pin	pivot		
	310159-0-00	1	perno	pin	pivot		
30	930136-0-10	1	pomolo	knob	pommeau		
31	930067-0-10	1	spina filettata	pin	goupille fileté		
32	310079-0-00	1	spina	pin	goupille		
33	930359-4-10	1	passanastro compl.	strap guide	guide pour bande		
34	930096-0-10	5	pomolo	knob	pommeau		
35	930094-0-10	3	morsetto	clamp	collier de serrage		
36	930358-2-10	1	morsetto con spine	clamp with pin	collier de serrage avec goupille		
37	930804-2-00	1	piastra	plate	plaque		
38	733006-2-00	1	dado	nut	écrou		
39	704111-2-00	1	rondella	washer	rondelle		
40	930093-2-10	1	morsetto con spina	clamp with pin	collier de serrage avec goupille		
41	721435-2-00	1	vite	screw	vis		
42	990596-0-10	2	pomolo	knob	pommeau		



Fig. N. Abb. N.	Part. N. Piese N. Bestell N. Pieza N.	Qt. Anzahl	DESCRIZIONE	DESCRIPTION	DESCRIPTION	BENENNUNG	DESCRIPTION
43	310054-2-00	2	supportino	support	support		
44	303624-3-10	1	guida imbuto cal. 9,6	guide	guide à entenoir		
	304351-3-10	1	guida imbuto cal. 19,05	guide	guide à entenoir		
	310186-2-00	1	guida imbuto cal. 44,45	guide	guide à entenoir		
	310196-2-00	1	guida imbuto cal. 25,4	guide	guide à entenoir		
	310198-2-00	1	guida imbuto cal. 38,1	guide	guide à entenoir		

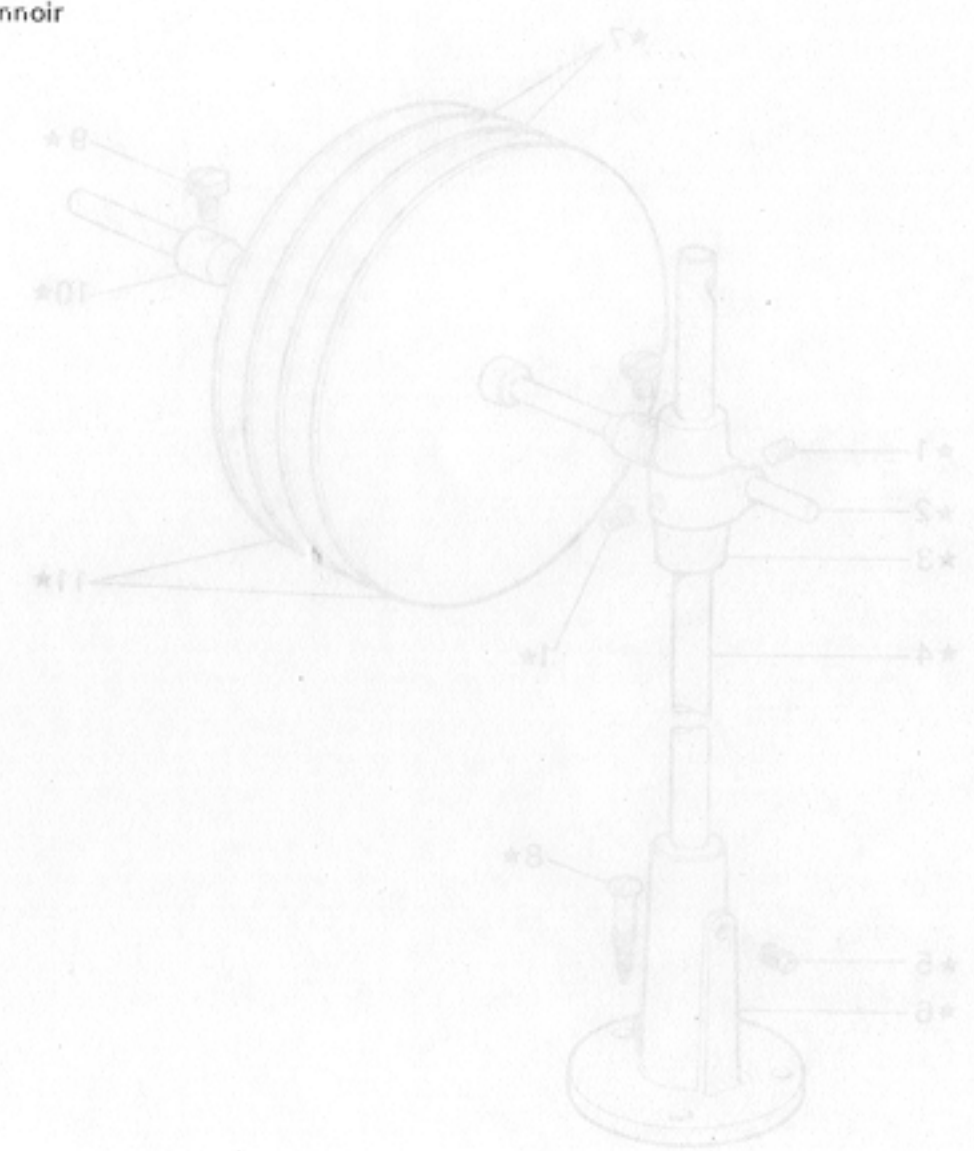
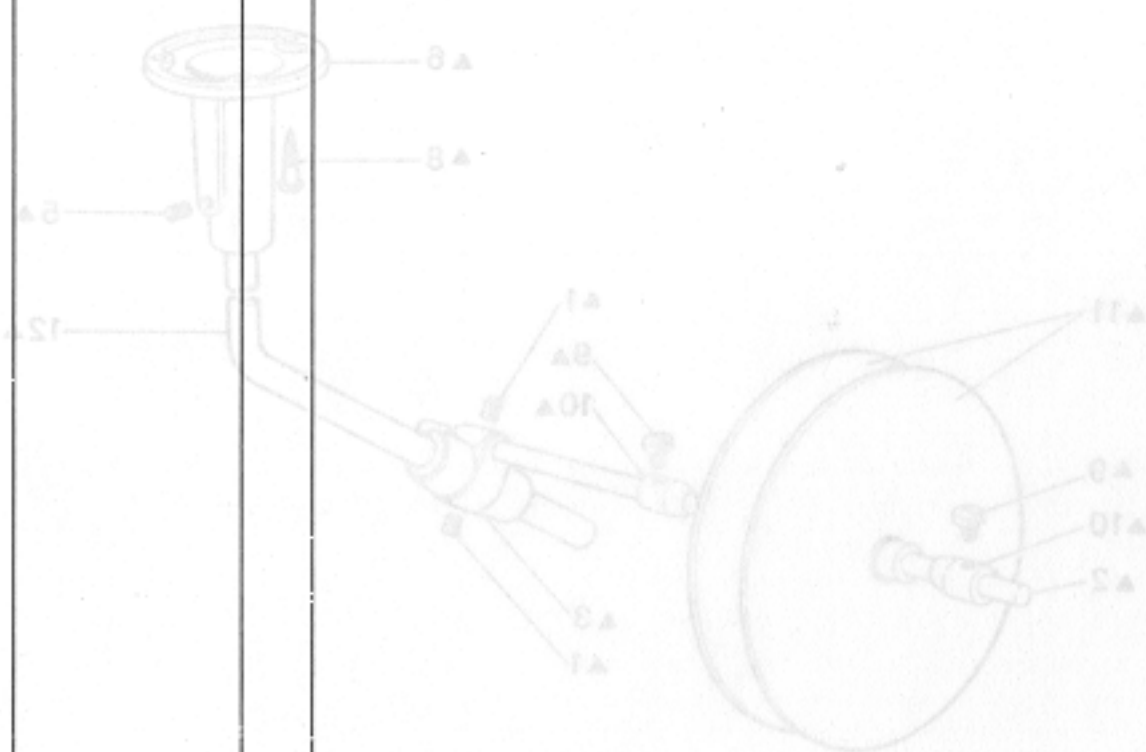








Fig. N. Abb. N.	Part. N. Piece N. Bestell N. Pieza N.	Q.t. Anzahl	DESCRIZIONE	DESCRIPTION	DESCRIPTION	BENENNUNG	DESCRIPTION
	<u>Tav. 2</u>						
1	313419-0-00	1	passafilo	thread guide	passe-fil		
3	313374-0-00	2	distanziale	spacer	entretoise		
6	313418-0-00	1	passafilo	thread guide	passe-fil		
14	313416-0-00	2	guidafilo	thread guide	guide-fil		
15	721086-2-00	2	vite	screw	vis		
	<u>Tav. 4</u>						
●	308286-4-00	1	gruppo leva	lever assembly	groupe levier		
2	301519-2-11	1	leva	lever	levier		
	<u>Tav. 6</u>						
★	308717-4-02	1	gruppo albero inf. completo (con fig. 6)	lower shaft assembly (with fig. 6)	groupe arbre inf. complet (avec fig. 6)		
10	308719-3-01	1	semialbero inferiore destro	right lower half-shaft	semi-arbre inférieur droite		
	<u>Tav. 7</u>						
▲	310161-4-00	1	gruppo supporto crochet inf.	lower looper support ass.	groupe support crochet inf.		
1	313415-0-00	1	porta crochet	looper holder	porte crochet		
9	741520-2-00	12	vite	screw	vis		
18	313414-0-00	1	blocchetto	block	bloc		
	<u>Tav. 9</u>						
▲	313411-4-00	1	morsetto porta aghi compl.	needle clamp assembly	porte-aiguille complet		
12	313420-2-00	1	tendifilo superiore	upper thread take-up	tendeur du fil supérieur		
16	313377-0-00	1	tendifilo inferiore	lower thread take-up	tendeur du fil inférieur		
18	313412-2-00	1	morsetto porta aghi	needle clamp	porte-aiguille		
19	745800-2-00	12	vite	screw	vis		
20	313413-0-00	1	guidafilo	thread guide	guide-fil		
			PEZZI ANNULLATI	CANCELLED PARTS	PIECES ANNULEES		
	<u>Tav. 1</u>						
4	307664-0-00	1	boccola a rullini	bearing	roulement		
5	706285-0-00	1	spina	pin	goupille		
19	307739-0-00	1	boccola a rullini	bearing	roulement		
	<u>Tav. 5</u>		ANNULLATA	CANCELLED	ANNULEE		
	<u>Tav. 11</u>		ANNULLATA	CANCELLED	ANNULEE		
	<u>Tav. 12</u>		ANNULLATA	CANCELLED	ANNULEE		
	<u>Tav. 13</u>		ANNULLATA	CANCELLED	ANNULEE		

DESCRIZIONE

BENENNUNG

DESCRIPTION

DESCRIPTION

DESCRIZIONE

Q.TA.	DESCRIZIONE	Q.TA.	DESCRIZIONE
1	302103-A-10	1	302103-A-10
1	302077-0-10	1	302077-0-10
2	302020-2-00	2	302020-2-00
1	302001-4-01	1	302001-4-01
1	302002-2-02	1	302002-2-02
1	302027-0-00	1	302027-0-00
1	302028-2-00	1	302028-2-00
1	302029-0-01	1	302029-0-01
1	302030-0-01	1	302030-0-01
1	302031-2-00	1	302031-2-00
1	302032-0-00	1	302032-0-00
1	302033-0-00	1	302033-0-00
1	302034-0-10	1	302034-0-10
1	302035-0-00	1	302035-0-00
1	302036-0-10	1	302036-0-10
1	302037-0-00	1	302037-0-00
1	302038-2-00	1	302038-2-00
1	302039-0-00	1	302039-0-00
1	302040-0-10	1	302040-0-10
1	302041-0-00	1	302041-0-00
1	302042-0-00	1	302042-0-00
1	302043-0-00	1	302043-0-00
1	302044-0-00	1	302044-0-00
1	302045-0-00	1	302045-0-00
1	302046-0-00	1	302046-0-00
1	302047-0-00	1	302047-0-00
1	302048-0-00	1	302048-0-00
1	302049-0-00	1	302049-0-00
1	302050-0-00	1	302050-0-00
1	302051-0-00	1	302051-0-00
1	302052-0-00	1	302052-0-00
1	302053-0-00	1	302053-0-00
1	302054-0-10	1	302054-0-10

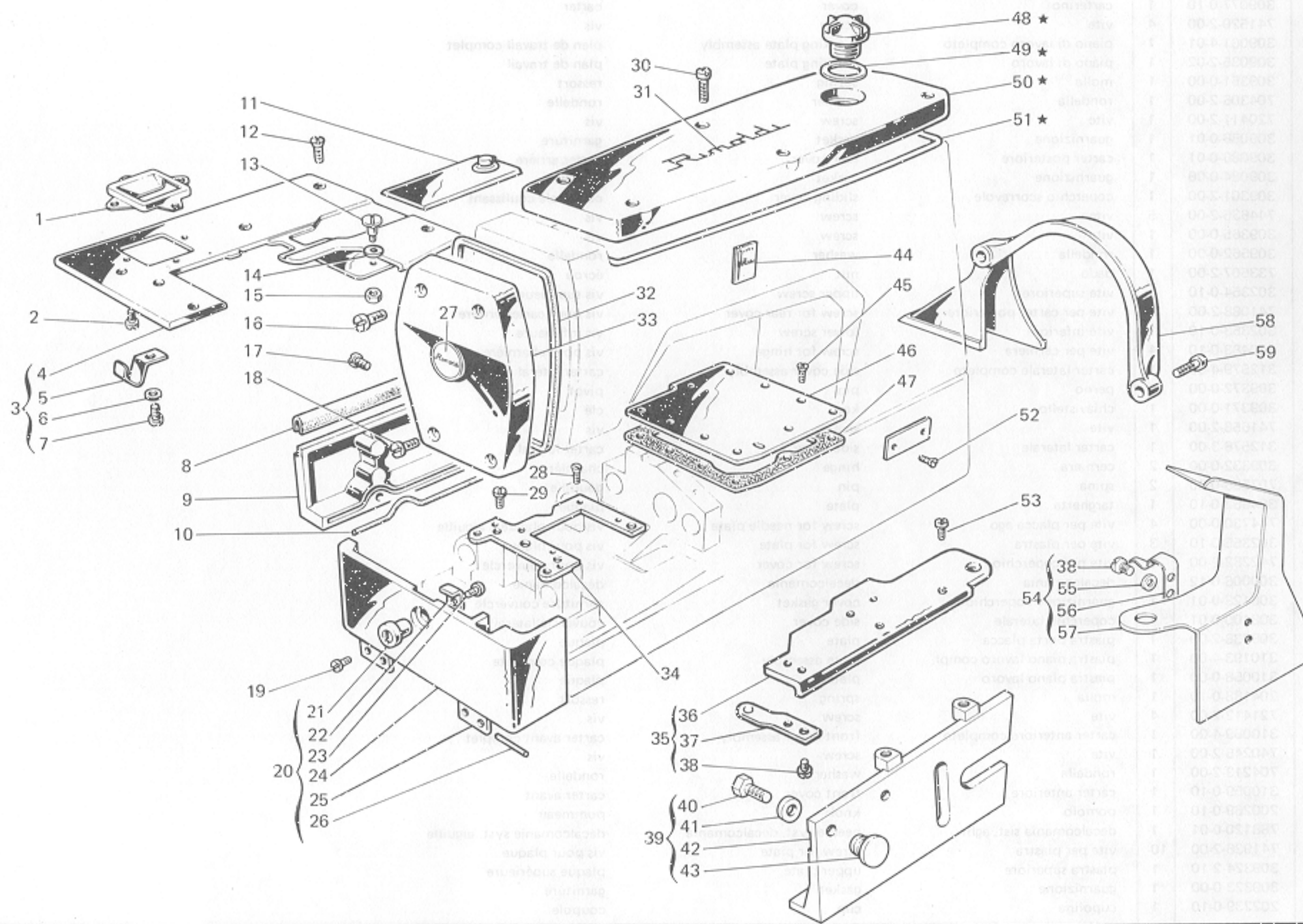


Fig. N. Abb. N.	Part. N. Piece N. Bestell N. Pieza N.	N. N. N. N.	Qt. Anzahl	DESCRIZIONE	DESCRIPTION	DESCRIPTION	BENENNUNG	DESCRIPTION
49	705970-0-00		1	guarnizione per cupolina	gasket	*85	garniture	
50	308102-0-10		1	coperchio superiore	upper cover	*86	couvercle supérieur	
51	308129-0-01		1	guarnizione per coperchio	gasket for cover	*87	garniture pour couvercle	
52	202165-0-10		2	vite per targhetta	screw for plate	*88	vis pour plaquette	
53	744676-2-00		2	vite	screw	*89	vis	
54	309362-4-01		1	carter protez. fili compl.	cover		carter	
55	704104-2-00		2	rondella	washer		rondelle	
56	309364-0-00		1	molla	spring		ressort	
57	309362-0-01		1	carter protez. fili	cover		carter	
58	308461-0-00		1	copricinghia per volantino	belt cover for handwheel		couvre-courrois pour volant	
59	721475-2-00		2	vite	screw	*91	vis	

