

Fig. N. Abb. N.	Part. N. Bestell N. Pieze N.	Qt. Anzahl	DESCRIZIONE	DESCRIPTION	DESCRIPTION	BENENNUNG	DESCRIPCION
◆	310356-4-00	1	biella con eccentrico e viti	con-rod and screws	bielle avec excentrique et vis		
★	308013-4-00	1	bussola destra completa	right bush assembly	bague droite complète		
■	308178-4-00	1	gruppo biella principale	main con-rod assembly	groupe bielle principale		
1	308256-3-00	1	biella con eccentrico e viti	con-rod with cam and screws	bielle avec excentrique et vis		
2	308310-0-00	1	perno a sfera	ball joint	pivot à sphère		
3	308802-0-00	2	vite per biella	screw for con-rod	vis pour bielle		
4	308855-0-00	1	vite	screw	vis		
5	308174-3-00	1	biella principale completa	main con-rod assembly	bielle principale complète		
6	741056-0-00	4	vite	screw	vis		
7	302272-0-10	2	settore	sector	secteur		
8	704869-0-00	1	rondella	washer	rondelle		
9	745815-2-00	2	vite	screw	vis		
10	308084-2-00	1	anello di registro con viti	adjustment ring with screws	bague de réglage avec vis		
11	746408-2-00	1	dado	nut	écrou		
12	705013-0-00	1	rondella	washer	rondelle		
13	745812-2-00	2	vite	screw	vis		
14	308159-2-01	1	manovella	crank	manivelle		
15	308166-0-00	1	perno	pin	pivot		
16	308161-0-00	2	vite	screw	vis		
17	308149-0-01	2	rondella	washer	rondelle		
18	308162-0-00	2	dado	nut	écrou		
19	308127-0-00	1	guarnizione	gasket	garniture		
20	308012-2-00	1	bussola	bush	bague		
21	730054-2-00	1	vite per volantino	screw for pulley	vis pour volant		
22	700596-0-00	1	anello di tenuta	retainer ring	bague d'étanchéité		
23	742222-2-00	3	vite	screw	vis		
24	308090-0-00	1	volantino	handwheel	volant		
25	729044-2-00	1	vite	screw	vis		

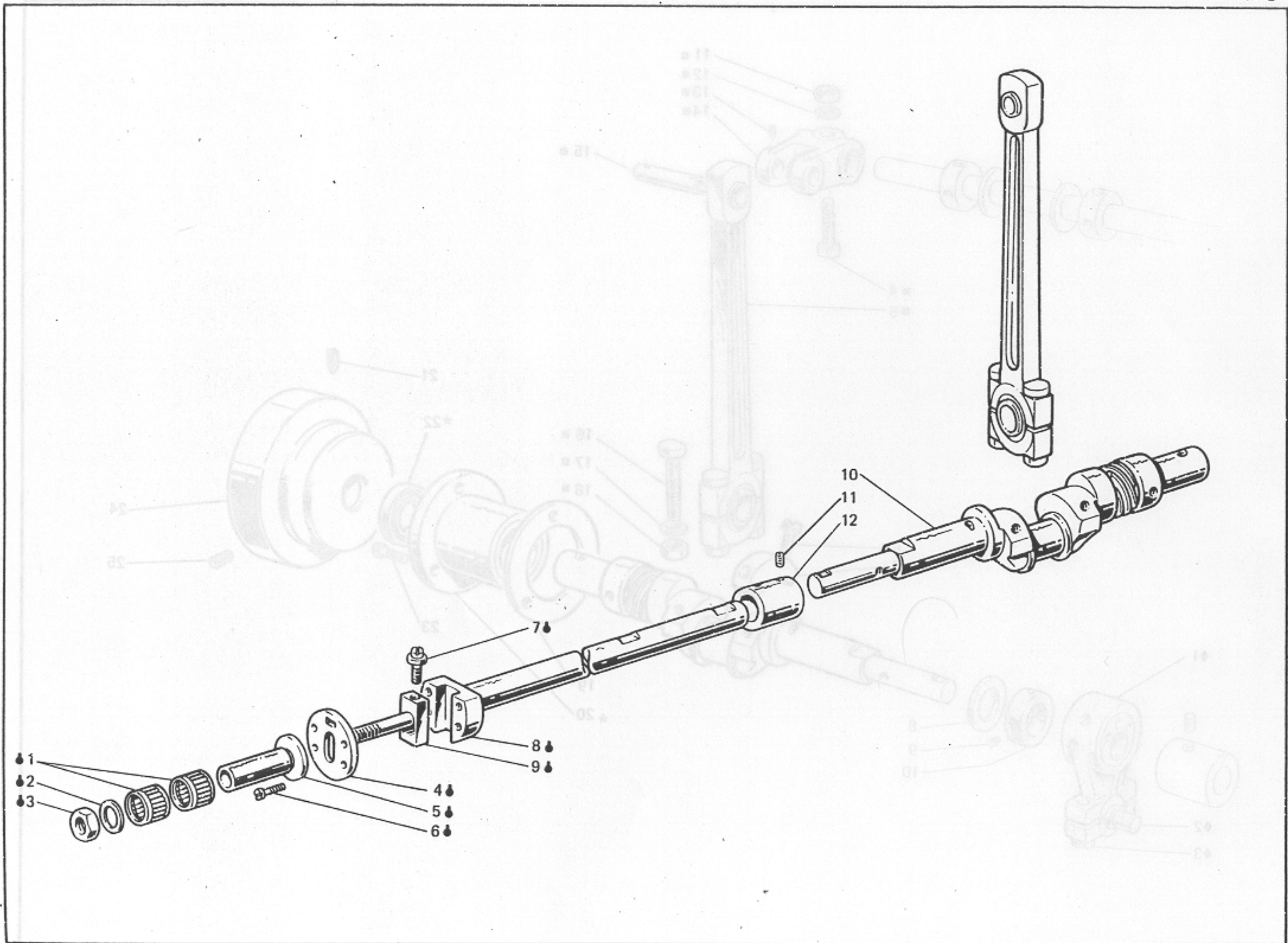


Fig. N. Abb. N.	Part. N. Bestell N. Piece N. Pieza N.	Qt. Anzahl	DESCRIZIONE	DESCRIPTION	DESCRIPTION	BENENNUNG	DESCRIPTION
—	309702-4-00	1	albero inferiore completo	lower shaft assembly	arbre inférieur complet		
●	308355-4-00	1	semialbero inferiore completo	lower half shaft assembly	semi-arbre inférieur complet		
1	301575-0-10	2	gabbia a rullini	needle cages	cage à aiguilles		
2	704812-0-00	1	rondella	washer	rondelle		
3	746612-2-00	1	dado	nut	écrou		
4	308280-0-00	1	piastra disco	disc plate	plaque disque		
5	304026-0-11	1	bussola	bush	bague		
6	724441-0-00	4	vite	screw	vis		
7	308281-0-00	1	vite di registro	adjustment screw	vis de réglage		
8	308380-2-01	1	semialbero inferiore sinistro	left lower half-shaft	semi-arbre inférieur gauche		
9	308279-0-00	1	perno	pin	pivot		
10	308714-3-01	1	semialbero inferiore destro	right lower half-shaft	semi-arbre inférieur droite		
11	745827-2-00	4	vite	screw	vis		
12	308015-0-00	1	manicotto	coupling	manchon		

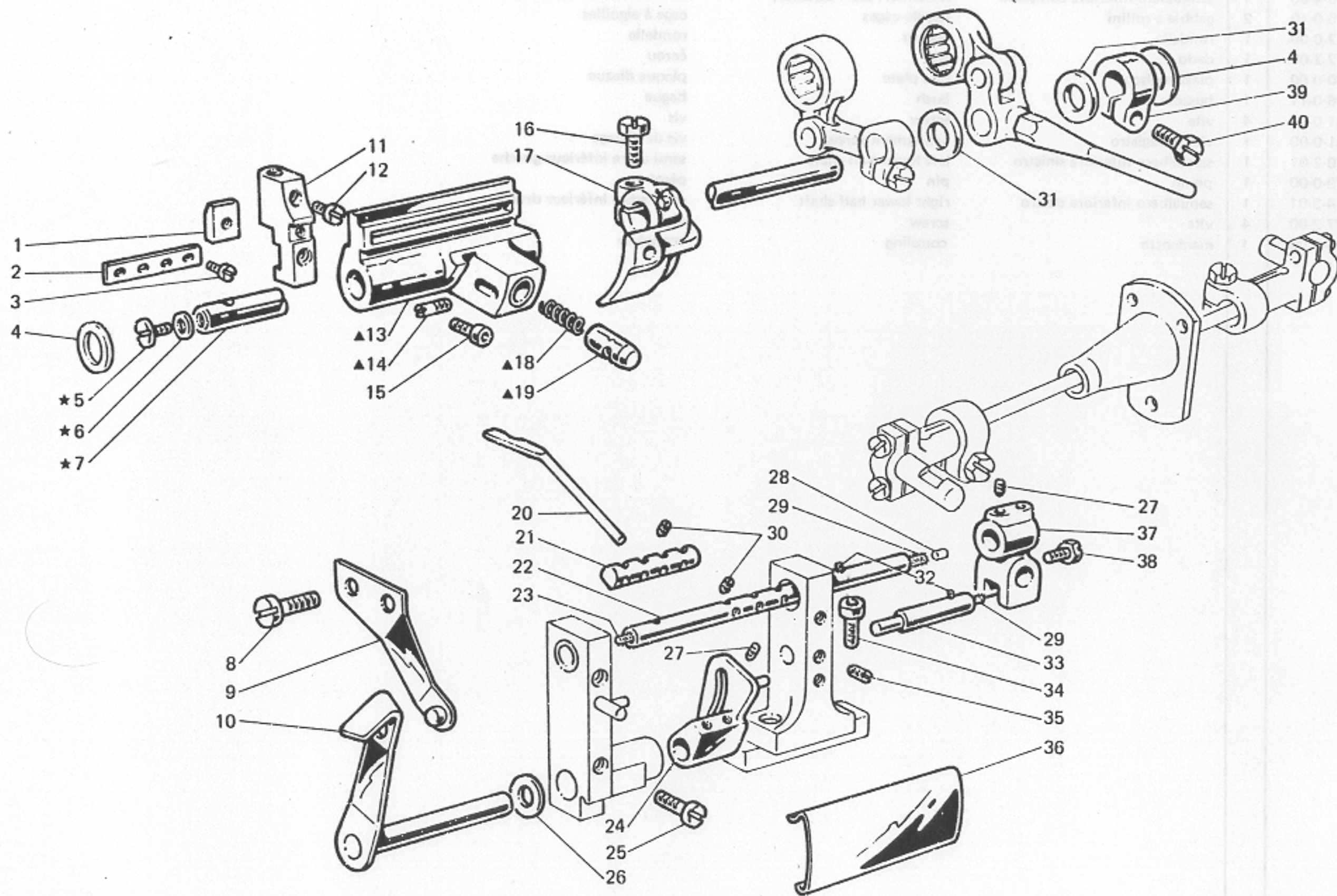


Fig. N. Abb. N.	Part. N. Bestell N. Piece N. Pieza N.	Qt. Anzahl	DESCRIZIONE	DESCRIPTION	DESCRIPTION	BENENNUNG	DESCRIPCION
▲	304167-4-20	1	gruppo supporto crochet inf.	lower looper support assembly	groupe support crochet inf.		
★	308747-4-00	1	contralbero completo	countershaft assembly	axe compl.		
1	304394-0-00	4	dado	nut	écrou		
2	304173-0-10	1	piastrina	plate	plaque		
3	721411-0-00	4	vite	screw	vis		
4	704846-0-00	2	rondella	washer	rondelle		
5	742214-2-00	1	vite	screw	vis		
6	705734-0-00	1	guarnizione	gasket	garniture		
7	308746-0-01	1	contralbero	countershaft	axe		
8	721424-2-00	2	vite	screw	vis		
9	304287-0-10	1	molla per leva disinnesto	spring for lever	ressort pour levier		
10	304310-2-10	1	leva comando disinnesto	lever	levier		
11	304170-0-20	4	porta crochet	looper holder	porte crochet		
12	741520-2-00	4	vite	screw	vis		
13	304166-2-20	1	supporto	support	support		
14	304153-0-00	1	perno	pin	pivot		
15	722430-2-00	4	vite	screw	vis		
16	202486-0-10	1	vite	screw	vis		
17	304171-0-10	1	attacco com. crochet	looper control attachment	raccord commande crochet		
18	304195-0-10	1	molla	spring	ressort		
19	304172-0-10	1	nottolino	powl	axe		
20	304187-0-11	4	deragliatore	device	déviateur		
21	304190-0-10	1	blocchetto	block	bloc		
22	304178-3-10	1	barra con tappi e stoppini	bar with plug and wick	barre avec bouchon et mèche		
23	778222-0-00	1	stoppino	wick	mèche		
24	304323-2-01	1	supporto com. disinnesto	support	support		
25	722452-2-00	2	vite fissa supporto	support screw	vis blocage support		
26	704236-2-00	1	rondella	washer	rondelle		
27	745812-2-00	4	vite	screw	vis		
28	301586-0-10	2	tappo	plug	bouchon		
29	778225-0-00	2	stoppino	wick	mèche		
30	745800-2-00	8	vite	screw	vis		
31	703814-0-00	2	rondella	washer	rondelle		
32	778208-0-00	3	stoppino	wick	mèche		
33	304197-2-10	1	spina con stoppino	pin with wick	goupille avec mèche		
34	722442-2-00	2	vite fissa supporto	support screw	vis blocage support		
35	727023-0-00	1	vite	screw	vis		
36	304194-0-10	1	carterino	cover	carter		
37	304165-2-00	1	giunto	joint	joint		
38	740632-2-00	1	vite	screw	vis		
39	300469-2-11	1	fascetta con vite	clamp with screw	bride avec vis		
40	300482-0-10	1	vite	screw	vis		

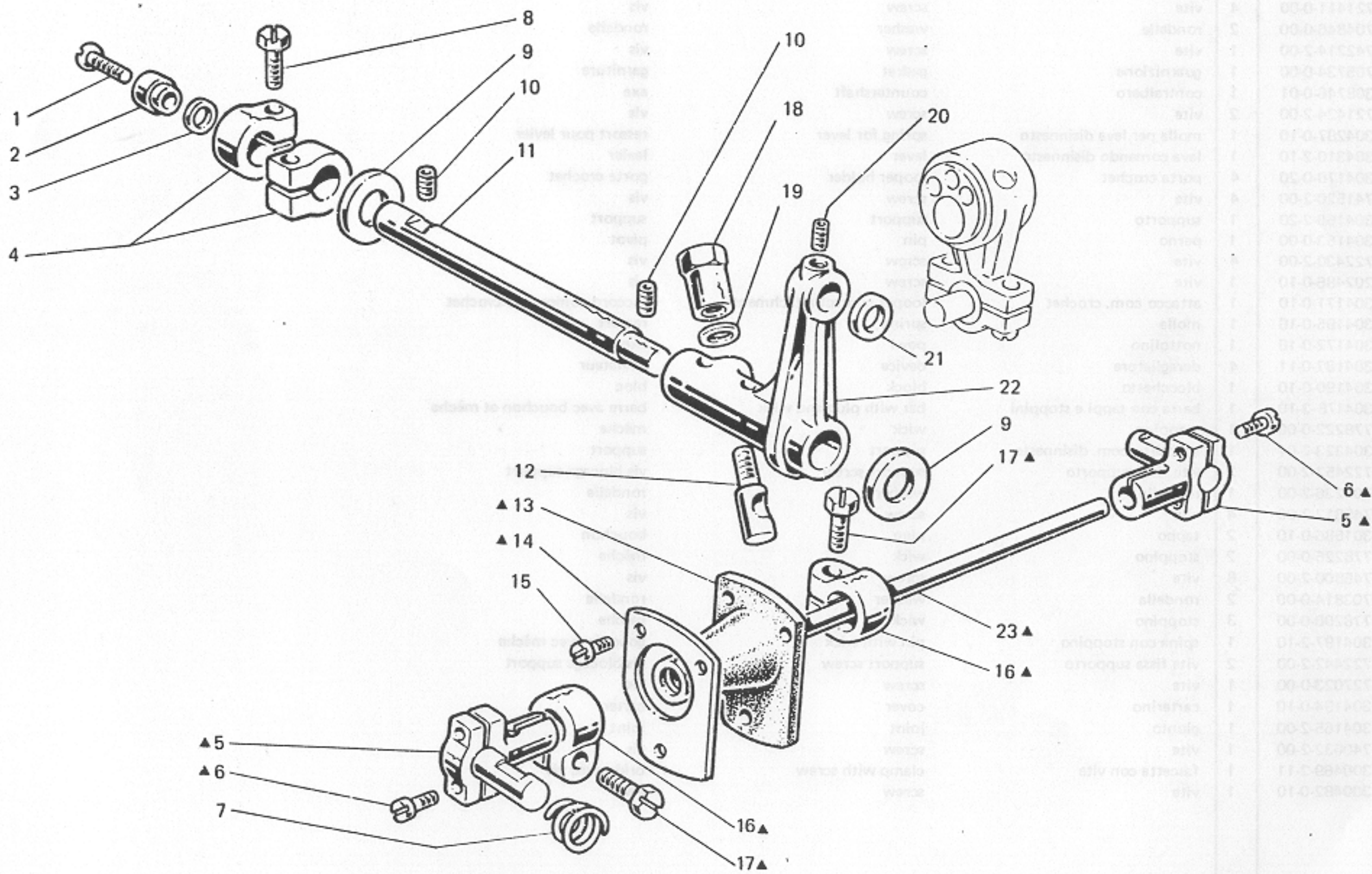


Fig. N. Abb. N.	Part. N. Bestell N. Pieza N.	Qt. Anzahl	DESCRIZIONE	DESCRIPTION	DESCRIPTION	BENENNUNG	DESCRIPCION
▲	308732-4-00	1	gruppo comando crochet inf.	lower looper control assembly	groupe com. crochet inférieur		
1	744676-2-00	1	vite	screw	vis		
2	308047-0-00	1	scodellino	cup	cuvette		
3	701009-0-00	1	anello di tenuta	retainer ring	bague d'étanchéité		
4	308046-2-01	2	fascetta	clamp	bride		
5	305825-3-00	2	testa di biella con viti	con-rod big end with screws	tête de bielle avec vis		
6	744040-2-00	4	vite	screw	vis		
7	302289-0-10	1	molla	spring	ressort		
8	300482-0-10	2	vite	screw	vis		
9	704849-0-00	2	rondella	washer	rondelle		
10	729434-2-00	2	vite fissa perno	screw	vis		
11	308044-0-00	1	perno per supporto	pin	pivot		
12	300352-0-10	1	spina filettata	pin	goupille		
13	308731-3-00	1	manicotto para olio	oil protection	manchon pare huile		
14	308327-0-00	1	mascherina per manicotto	flange	flasque		
15	741675-2-00	3	vite	screw	vis		
16	308326-2-01	2	fascetta per biella con vite	clamp with screw	bride avec vis		
17	305194-0-00	2	vite	screw	vis		
18	300351-0-11	1	dado	nut	écrou		
19	704309-4-00	1	rondella	washer	rondelle		
20	745815-2-00	1	vite	screw	vis		
21	705834-0-00	1	rondella in fibra	washer	rondelle		
22	308045-0-01	1	supporto oscillante	oscillating support	support coulissant		
23	308335-0-00	1	tirante per biella	tie-rod	tirant pour bielle		

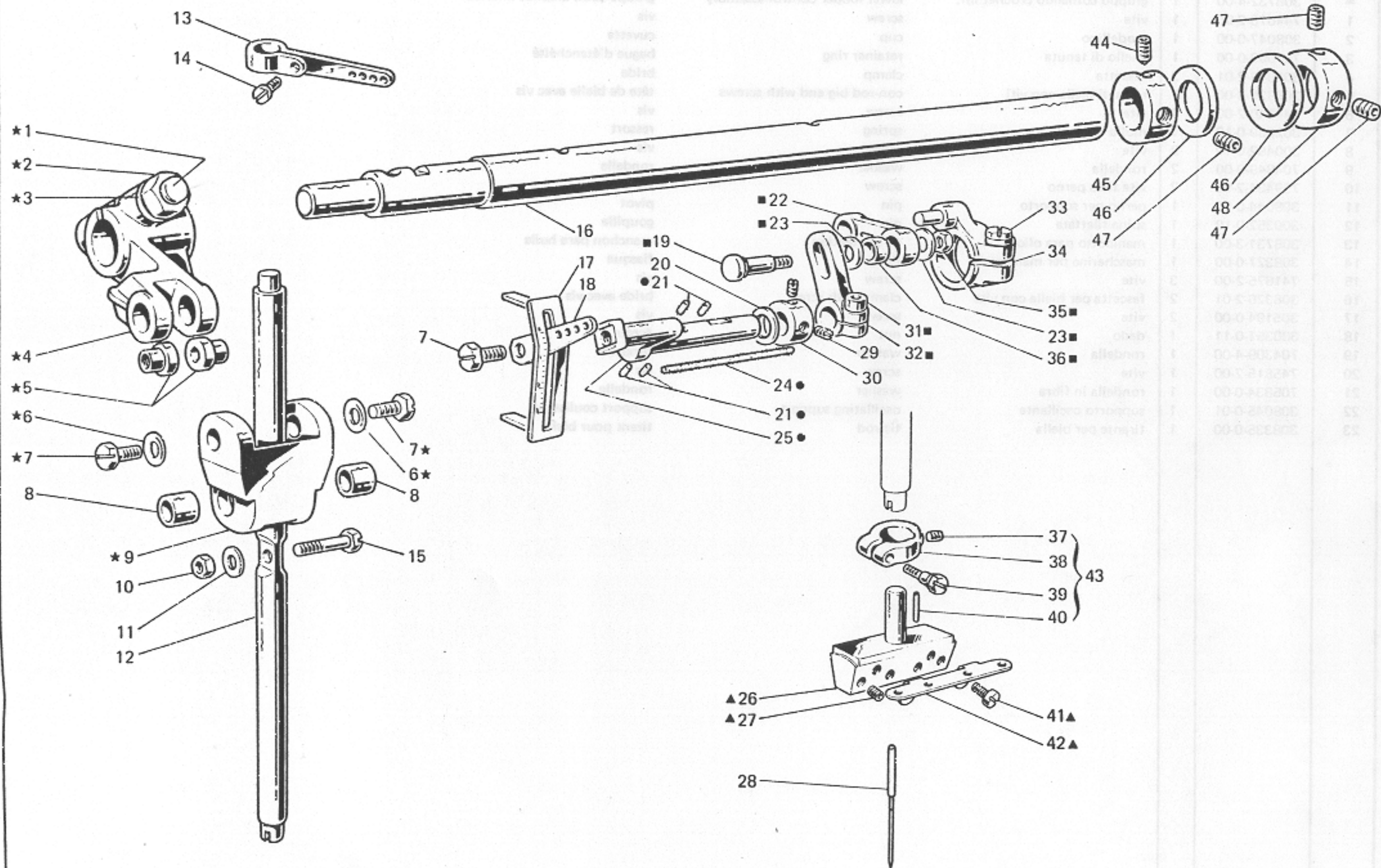


Fig. N. Abb. N.	Part. N. Bestell N. Pieze N.	Qt. Anzahl	DESCRIZIONE	DESCRIPTION	DESCRIPTION	BENENNUNG	DESCRIPCION
★	308006-4-00	1	gruppo manov. giunto barra ago	crank and joint assembly	groupe maniv. joint barre-aiguille		
▲	304146-4-00	1	morsetto porta aghi completo	needles clamp assembly	porte-aiguilles complet		
■	308244-4-00	1	gruppo settore tenditore articol.	sector assembly	groupe secteur		
●	308238-4-00	1	braccio con stoppini	arm with wicks	bras avec mèche		
1	308855-0-00	1	perno a vite	threaded pin	pivot à vis		
2	746408-2-00	1	dado	nut	écrou		
3	705013-0-00	1	rondella	washer	rondelle		
4	308036-2-00	1	manovella completa	crank assembly	manivelle compl.		
5	308037-0-00	2	perno superiore	upper pin	pivot supérieur		
6	704210-4-00	2	rondella	washer	rondelle		
7	308039-0-01	3	vite	screw	vis		
8	308041-0-00	2	bussola inferiore	lower bush	bague inférieure		
9	308038-0-10	1	giunto barra ago	needle bar joint	joint barre-aiguille		
10	302338-0-10	1	dado	nut	écrou		
11	703005-0-00	1	rondella	washer	rondelle		
12	308220-0-00	1	barra ago	needle bar	barre aiguille		
13	308452-2-00	1	tendifilo superiore	upper thread take-up	tendeur supérieur		
14	742311-2-00	1	vite	screw	vis		
15	308042-0-00	1	perno per barra ago	pin for needle bar	pivot pour barre-aiguille		
16	308851-2-01	1	albero superiore	upper shaft	arbre supérieur		
17	308005-0-00	1	targhetta	plate	plaque		
18	308240-0-00	1	tendifilo inferiore	lower thread guide	tendeur du fil inférieur		
19	308235-0-00	1	perno	pin	pivot		
20	704828-0-00	1	rondella	washer	rondelle		
21	778203-0-00	4	stoppino	wick	mèche		
22	206583-0-00	1	biellino	con-rod	petite bielle		
23	705208-0-00	2	rondella	washer	rondelle		
24	778407-0-00	1	stoppino	wick	mèche		
25	308233-0-00	1	braccio	arm	bras		
26	304145-0-10	1	morsetto porta aghi	needles clamp	porte-aiguilles		
27	745800-2-00	4	vite	screw	vis		
28	960350-0-90	4	ago sist. UY113GS fin. 100	needle syst. UY113GS size 100	aiguille syst. UY113GS jauge 100		
29	745812-2-00	2	vite	screw	vis		
30	303899-0-10	1	anello	ring	anneau		
31	722422-2-00	1	vite	screw	vis		
32	308234-2-00	1	settore con vite	sector with screw	secteur avec vis		
33	201128-0-10	1	vite	screw	vis		
34	308236-2-00	1	braccio con vite	arm with screw	bras avec vis		
35	746008-0-00	1	dado	nut	écrou		
36	202032-0-11	1	bussolina	bush	bague		
37	745001-0-00	1	vite	screw	vis		
38	302591-0-10	1	fascetta per barra ago	clamp for needle bar	bride pour barre-aiguille		
39	302352-0-10	1	vite	screw	vis		
40	302292-0-10	1	spinetta	pin	goupille		
41	100458-0-10	2	vite	screw	vis		
42	304244-0-10	1	passafilo	thread guide	passe-fil		
43	302590-4-10	1	fascetta completa	clamp assembly	bride complète		
44	730033-2-00	1	vite	screw	vis		

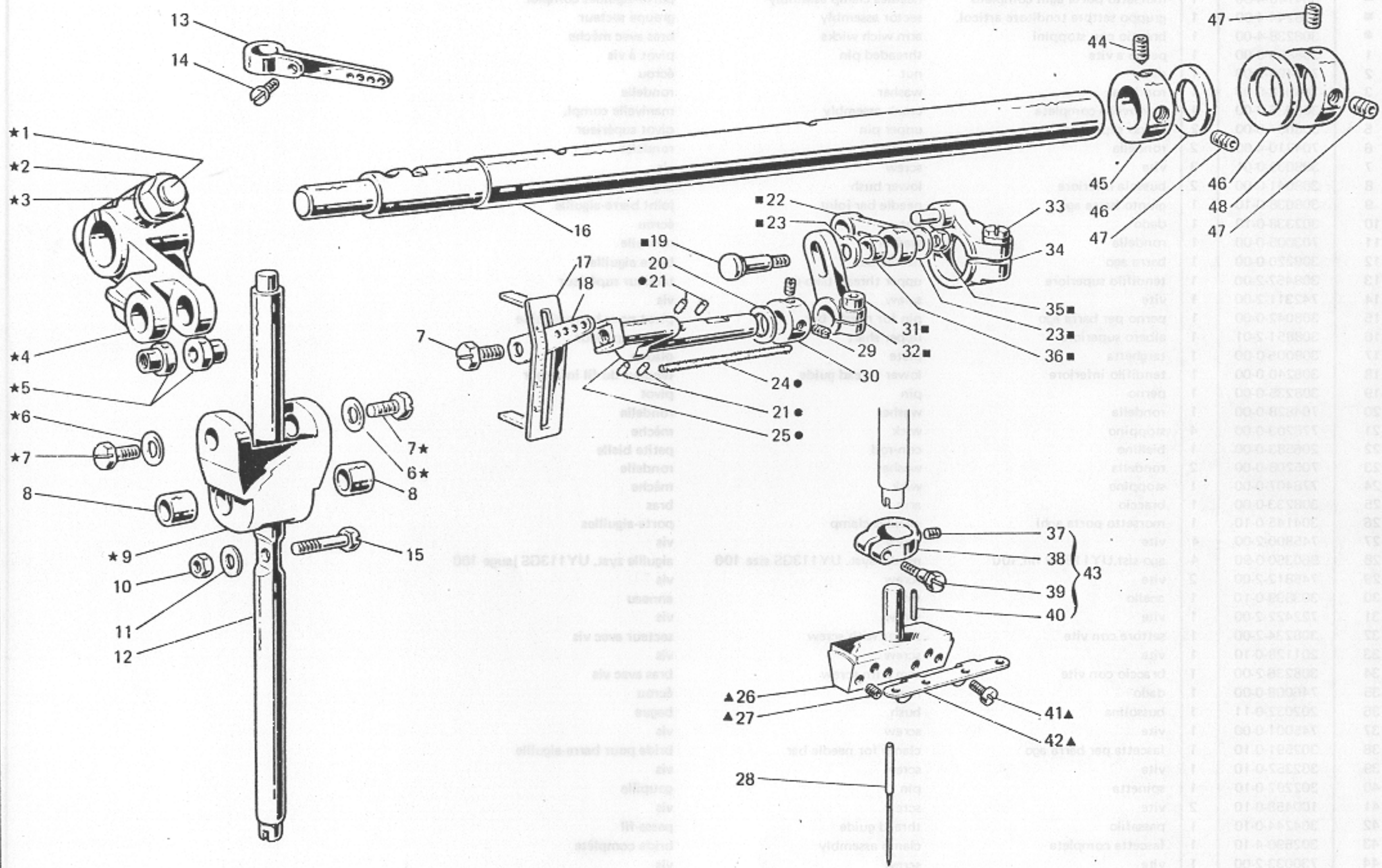


Fig. N. Abb. N.	Part. N. Piece N. Bestell N. Pieza N.	Ct. Anzahl	DESCRIZIONE	DESCRIPTION	DESCRIPTION	BENENNUNG	DESCRIPCION
★	308612-3-00	1	base e braccio con bussole	base and arm with bushes	base et bras avec bagues		
1	706454-0-00	2	spina	pin	goupille		
2	308859-2-00	1	supporto con bussola fig. 10	support with bush fig. 10	support avec bague fig. 10		
3	721485-2-00	4	vite	screw	vis		
4	307664-0-00	1	boccola a rullini	bearing	roulements		
5	706285-0-00	1	spina	pin	goupille		
6	308096-0-00	1	guarnizione sinistra base	left gasket for base	garniture gauche pour base		
7	742623-2-00	1	vite	screw	vis		
8	308032-0-00	1	bussola	bush	bague		
9	308215-0-00	1	protezione olio	oil protection	protection huile		
10	308858-0-00	1	bussola	bush	bague		
11	308737-0-00	1	bussola	bush	bague		
12	308218-0-00	1	scodellino inferiore	lower cup	cuvette inférieure		
13	308296-0-00	2	bussola	bush	bague		
14	308293-0-01	1	bussola	bush	bague		
15	308733-0-00	1	bussola	bush	bague		
16	721444-2-00	1	vite	screw	vis		
17	308138-0-11	1	carter paraolio	oil retainer cover	carter protection huile		
18	308094-0-00	1	tappo foro bussola	plug	bouchon		
19	308031-0-00	1	bussola	bush	bague		
20	307739-0-00	1	boccola a rullini	bearing	roulements		
21	303501-0-10	1	tappo per foro tendifilo	plug	bouchon		
22	308852-0-00	1	bussola	bush	bague		
23	308232-0-00	1	bussola	bush	bague		
24	729032-2-00	1	vite	screw	vis		
25	308086-0-00	1	bussola	bush	bague		
26	308009-0-00	1	bussola	bush	bague		
27	304144-0-10	1	bussola	bush	bague		
28	302356-0-10	1	tappo	plug	bouchon		
29	308853-0-00	2	bussola	bush	bague		

Fig. N. Abb. N.	Part. N. Bestell N. Piece N. Pieza N.	Qt. Anzahl	DESCRIZIONE	DESCRIPTION	DESCRIPTION	BENENNUNG	DESCRIPCION
45	309831-2-00	1	anello di registro con viti	adjustment ring with screws	bague de réglage avec vis		
46	704869-0-00	2	rondella	washer	rondelle		
47	729013-2-00	3	vite	screw	vis		
48	309830-2-00	1	anello di registro con viti	adjustment ring with screws	bague de réglage avec vis		

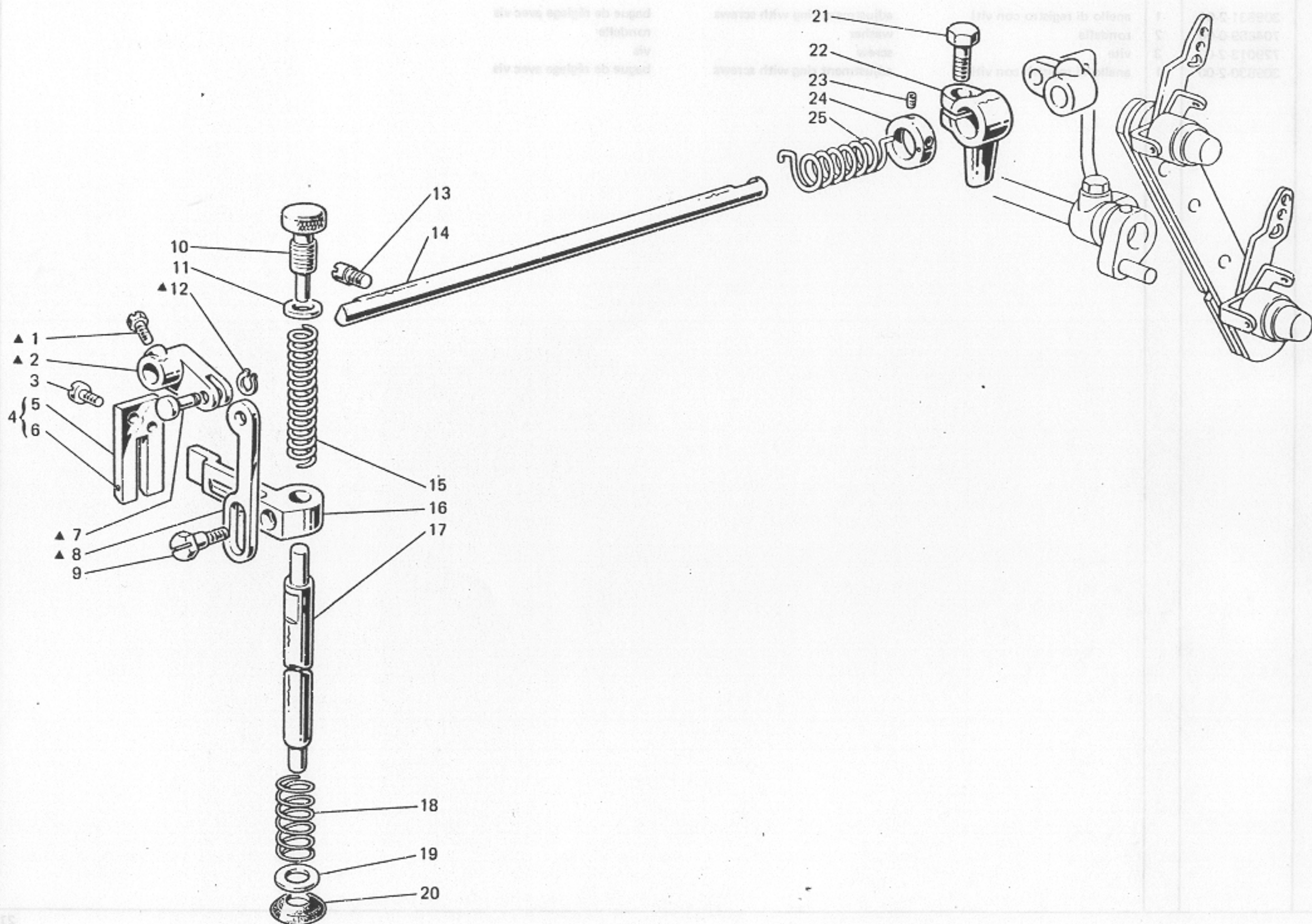


Fig. N. Abb. N.	Part. N. Bestell N. Pieze N.	Qt. Anzahl	DESCRIZIONE	DESCRIPTION	DESCRIPTION	BENENNUNG	DESCRIPCION
▲	308060-4-00	1	gruppo manov. tirante premistoffa	presser crank assembly	groupe maniv. tirant presseur		
1	740632-2-00	1	vite	screw	vis		
2	308059-0-00	1	manovella	crank	manivelle		
3	721494-2-00	2	vite fissa piastra	plate screw	vis blocage plaque		
4	308052-4-00	1	piastra guida barra completa	plate assembly	plaque complète		
5	308056-0-01	1	piastra guida barra	plate	plaque		
6	707240-0-00	1	spina elastica	split pin	goupille réglable		
7	308058-0-00	1	spina	pin	goupille		
8	308057-0-00	1	tirante per alza piedino	presserfoot tie-rod	tirant soulèvement pied de biche		
9	740444-2-00	1	vite fissa slitta	screw	vis		
10	302060-0-11	1	pomolo di regolazione	adjustment knob	pommeau de réglage		
11	302344-0-10	1	rondella	washer	rondelle		
12	700205-0-00	1	anello elastico	spring ring	anneau ressort		
13	308007-0-00	1	perno filettato	threaded pin	pivot fileté		
14	302234-0-10	1	albero	shaft	arbre		
15	302059-0-10	1	molla premi piedino	spring	ressort pied de biche		
16	308055-2-00	1	guida a forcella	forket guide	guide à fourchette		
17	308061-0-01	1	barra porta piedino	presserfoot bar	barre porte-pied de biche		
18	308148-0-00	1	molla	spring	ressort		
19	703810-0-00	1	rondella	washer	rondelle		
20	308054-0-00	1	paraolio	oil retainer	pare-huile		
21	202487-0-10	1	vite	screw	vis		
22	308412-2-00	1	fascetta di fermo con vite	clamp with screw	bride de fixation avec vis		
23	745827-2-00	2	vite	screw	vis		
24	304767-2-10	1	anello per molla	ring	bague		
25	308098-0-00	1	molla di torsione	spring	ressort de torsion		

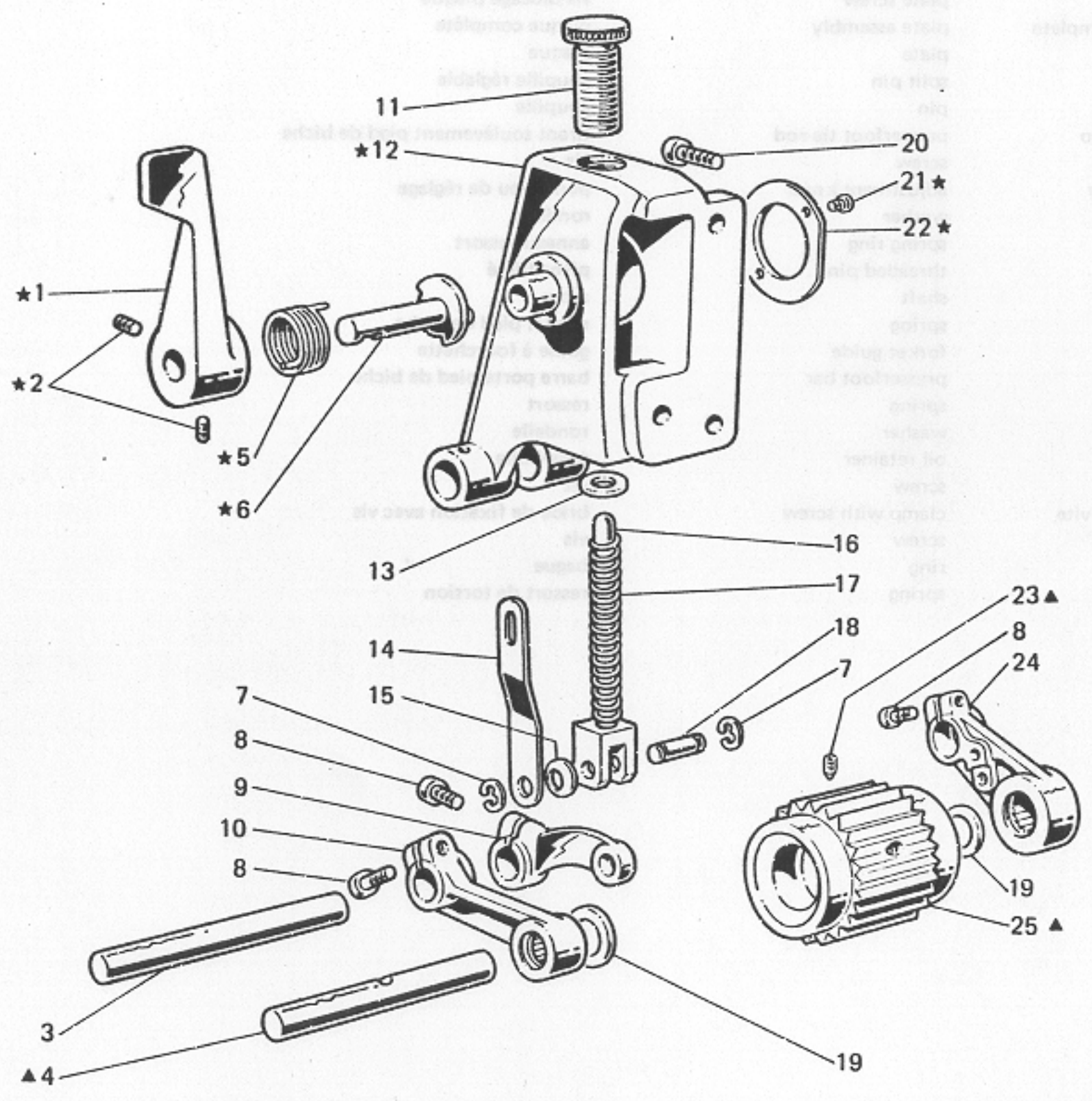


Fig. N. Abb. N.	Part. N. Bestell N. Piece N.	Qt. Anzahl	DESCRIZIONE	DESCRIPTION	DESCRIPTION	BENENNUNG	DESCRIPCION
★	307594-4-00	1	gruppo supporto rullo sup.	upper support roller assembly	groupe support rouleau supérieur		
▲	310525-4-00	1	gruppo rullo folle sup.	upper roller assembly	groupe rouleau supérieur		
1	307616-2-00	1	maniglia alza rullo	lever	levier		
2	729033-2-00	2	vite	screw	vis		
3	307762-0-00	1	perno superiore	upper pin	pivot supérieur		
4	307619-0-10	1	perno per rullo sup.	shaft	arbre		
5	307701-0-00	1	molla	spring	ressort		
6	307656-0-11	1	perno eccentrico	eccentric pin	pivot excentrique		
7	700206-0-00	2	anello elastico	spring ring	anneau ressort		
8	722432-2-00	3	vite	screw	vis		
9	307612-2-10	1	braccio premi rullo	arm	bras		
10	307761-3-00	1	giunto sinistro	left joint	joint gauche		
11	307705-0-00	1	pomolo	knob	pommeau		
12	307610-2-10	1	supporto	support	support		
13	704814-0-00	1	rondella	washer	rondelle		
14	307615-0-10	1	piastrina	plate	plaque		
15	307605-0-00	1	anello	spring	ressort		
16	307618-0-10	1	forcella	fork	fourche		
17	301510-0-10	1	molla	spring	ressort		
18	307617-0-10	1	spina	pin	goupille		
19	704848-0-00	2	rondella	washer	rondelle		
20	722443-2-00	3	vite	screw	vis		
21	721412-2-00	2	vite	screw	vis		
22	307697-0-00	1	corperchio	cover	couvercle		
23	730054-2-00	1	vite	screw	vis		
24	307652-3-00	1	giunto destro	right joint	joint droite		
25	307745-2-10	1	rullo	roller	rouleau		

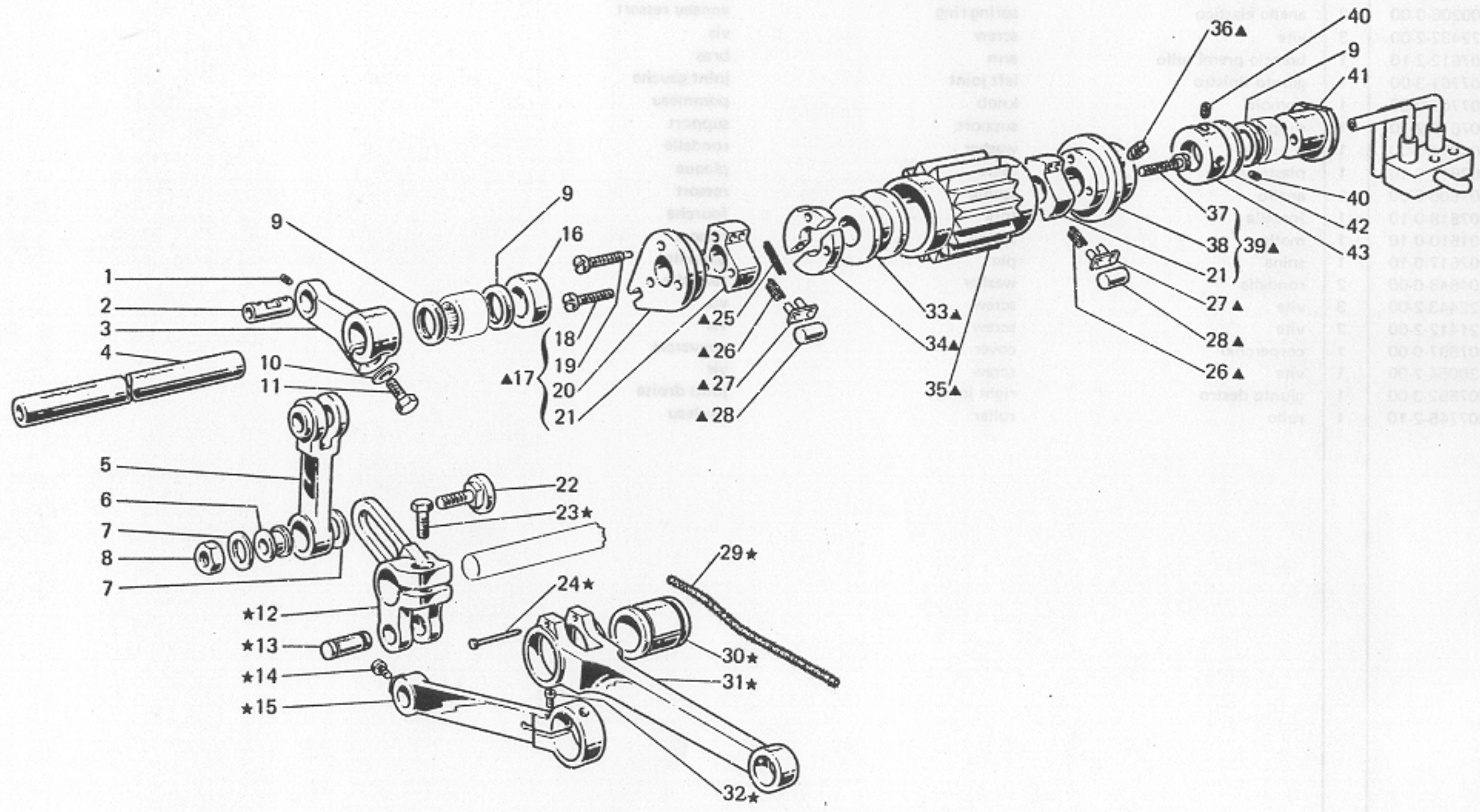


Fig. N. Abb. N.	Part. N. Piece N. Bestell N. Pieza N.	Qt. Anzahl	DESCRIZIONE	DESCRIPTION	DESCRIPTION	BENENNUNG	DESCRIPCION
★	307683-4-00	1	comando frizione e porta griffa	clutch and feed dog control	commande friction et porte-griffe		
▲	304314-4-10	1	comando frizione posteriore	rear clutch control	commande friction arriera		
1	727012-0-00	1	vite	screw	vis		
2	307678-2-00	1	perno con stoppino	pin with wick	pivot avec mèche		
3	307703-2-00	1	leva comando rullo	lever	levier		
4	307691-2-00	1	albero porta frizione	shaft	arbre		
5	307712-0-00	1	bielletta	con-rod	bielle		
6	301547-0-11	1	bussola	bush	bague		
7	704805-0-00	2	rondella	washer	rondelle		
8	302708-0-01	1	dado	nut	écrou		
9	307651-0-00	3	anello di tenuta	circlip	circlip		
10	704218-2-00	1	rondella	washer	rondelle		
11	300377-0-10	1	vite	screw	vis		
12	307662-2-00	1	leva contralbero	lever	levier		
13	308285-0-00	1	perno	pin	pivot		
14	742813-0-00	1	vite	screw	vis		
15	308744-0-00	1	biella	con-rod	bielle		
16	307663-0-00	1	distanziale	spacer	entretoise		
17	301535-4-10	1	flangia sinistra	left flange	flasque gauche		
18	741761-0-00	1	vite	screw	vis		
19	301594-0-10	2	vite	screw	vis		
20	301534-0-10	1	flangia	flange	flasque		
21	301523-0-10	2	settore	sector	secteur		
22	301546-0-10	1	perno a vite	pin	pivot		
23	202486-0-10	1	vite	screw	vis		
24	200490-0-00	1	spullo	needle	épingle		
25	301539-0-10	1	molla	spring	ressort		
26	301531-0-10	12	molletta	spring	ressort		
27	301530-2-10	6	piastrina	plate	plaque		
28	301527-0-10	6	rullino	roller	rouleau		
29	778010-0-00	1	stoppino	wick	mèche		
30	308742-0-00	1	bussola	bush	bague		
31	308741-0-00	1	biella	con-rod	bielle		
32	721473-0-00	1	vite	screw	vis		
33	301540-0-10	1	distanziale	spacer	entretoise		
34	301538-0-10	1	freno	brake	frein		
35	304313-0-10	1	rullo frizione	clutch roller	rouleau friction		
36	727855-0-00	2	vite	screw	vis		
37	301595-0-10	3	vite	screw	vis		
38	301532-0-10	1	flangia	flange	flasque		
39	301533-4-10	1	flangia destra	right flange	flasque droite		
40	745812-2-00	2	vite	screw	vis		
41	307607-0-00	1	raccordo olio	pipe connection	raccord huile		
42	704844-0-00	1	rondella	washer	rondelle		
43	304762-2-10	1	anello di registro	adjustment ring	bague de réglage		

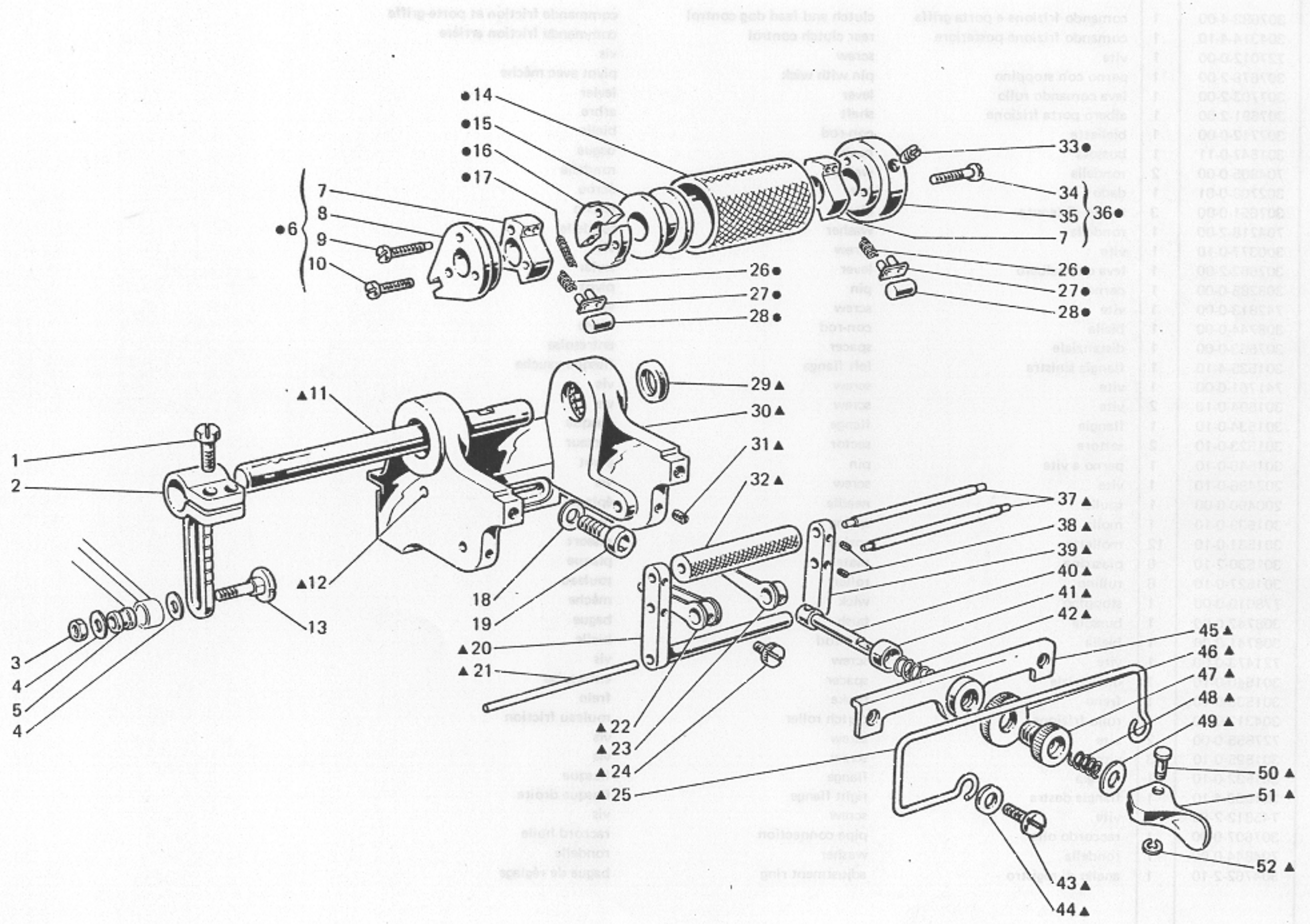
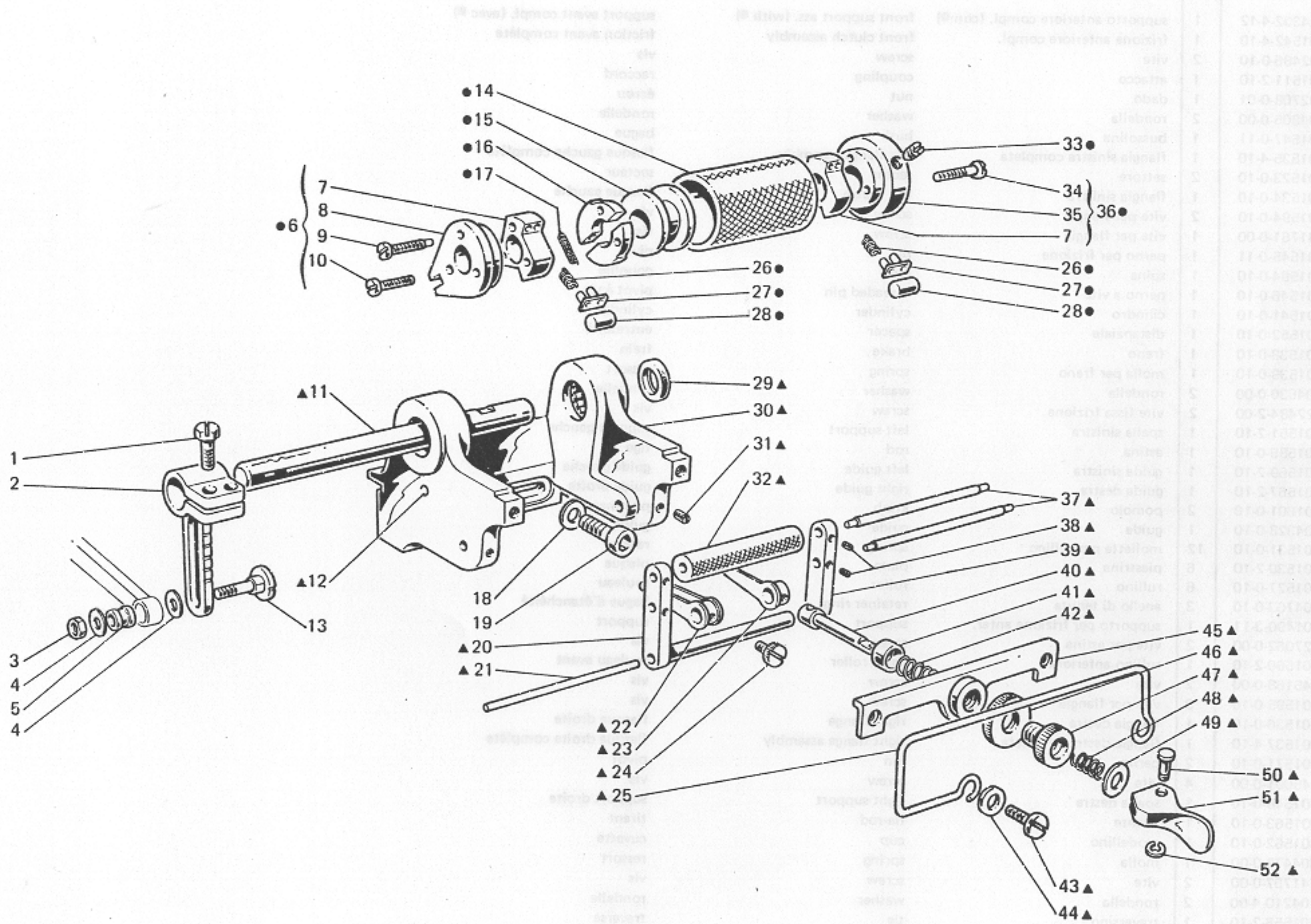
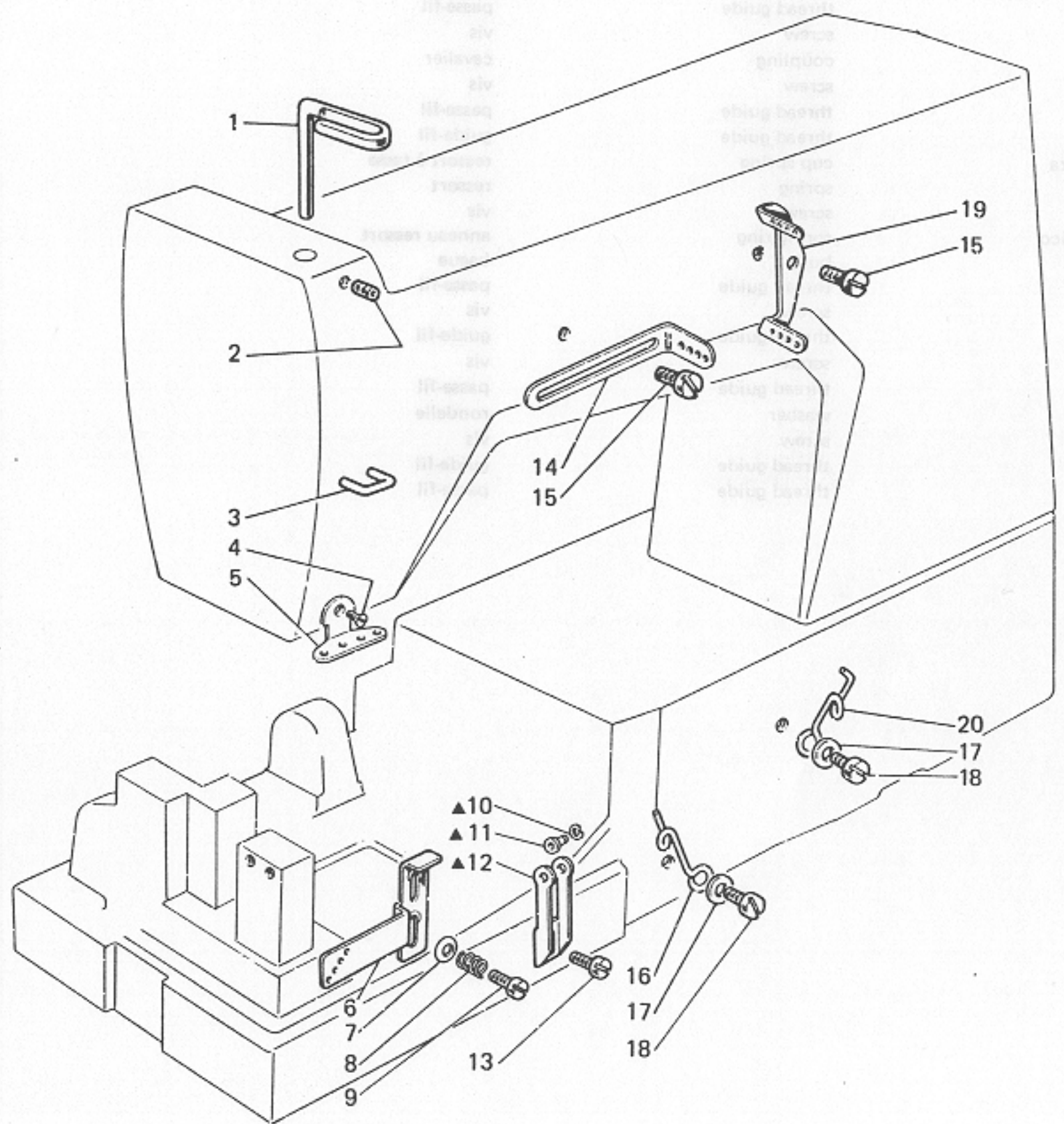


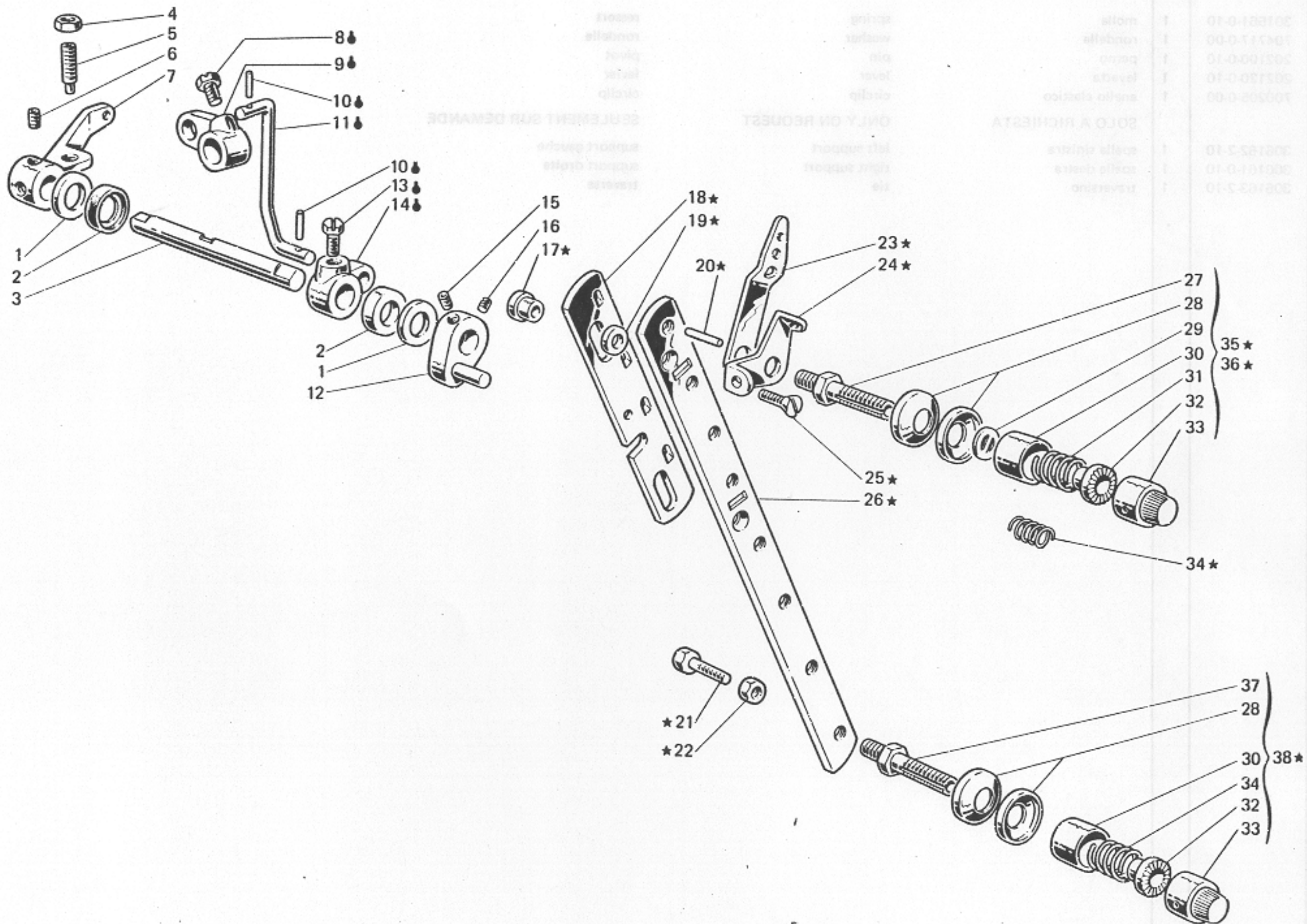
Fig. N. Abb. N.	Part. N. Piece N. Bestell N. Pieza N.	Qt. Anzahl	DESCRIZIONE	DESCRIPTION	DESCRIPTION	BENENNUNG	DESCRIPCION
▲	304302-4-12	1	supporto anteriore compl. (con ●)	front support ass. (with ●)	support avant compl. (avec ●)		
●	301542-4-10	1	frizione anteriore compl.	front clutch assembly	friction avant complète		
1	202486-0-10	2	vite	screw	vis		
2	301511-2-10	1	attacco	coupling	raccord		
3	302708-0-01	1	dado	nut	écrou		
4	704805-0-00	2	rondella	washer	rondelle		
5	301547-0-11	1	bussolina	bush	bague		
6	301535-4-10	1	flangia sinistra completa	left flange assembly	flasque gauche complète		
7	301523-0-10	2	settore	sector	secteur		
8	301534-0-10	1	flangia sinistra	left flange	flasque gauche		
9	301594-0-10	2	vite per flangia	screw	vis		
10	741761-0-00	1	vite per flangia	screw	vis		
11	301545-0-11	1	perno per frizione	pin	pivot		
12	301584-0-10	1	spina	pin	goupille		
13	301546-0-10	1	perno a vite	threaded pin	pivot à vis		
14	301541-0-10	1	cilindro	cylinder	cylindre		
15	301552-0-10	1	distanziale	spacer	entretoise		
16	301538-0-10	1	freno	brake	frein		
17	301539-0-10	1	molla per freno	spring	ressort		
18	704630-0-00	2	rondella	washer	rondelle		
19	722484-2-00	2	vite fissa frizione	screw	vis		
20	301551-2-10	1	spalla sinistra	left support	support gauche		
21	301585-0-10	1	astina	rod	tige		
22	301569-2-10	1	guida sinistra	left guide	guide gauche		
23	301567-2-10	1	guida destra	right guide	guide droite		
24	301601-0-10	2	pomolo	knob	pommeau		
25	304328-0-10	1	guida	guide	guide		
26	301531-0-10	12	molletta per rullino	spring	ressort		
27	301530-2-10	6	piastrina	plate	plaque		
28	301527-0-10	6	rullino	roller	rouleau		
29	304763-0-10	3	anello di tenuta	retainer ring	bague d'étanchéité		
30	301490-3-11	1	supporto per frizione anter.	support	support		
31	727062-0-00	2	vite per astina	screw	vis		
32	301560-2-10	1	rullino anteriore	front roller	rouleau avant		
33	745168-0-00	2	vite	screw	vis		
34	301595-0-10	3	vite per flangia	screw	vis		
35	301536-0-10	1	flangia destra	right flange	flasque droite		
36	301537-4-10	1	flangia destra completa	right flange assembly	flasque droite complète		
37	301571-0-10	2	perno	pin	pivot		
38	745001-0-00	4	vite	screw	vis		
39	301548-0-10	1	spalla destra	right support	support droite		
40	301563-0-10	1	tirante	tie-rod	tirant		
41	301562-0-10	1	scodellino	cup	cuvette		
42	304479-0-00	1	molla	spring	ressort		
43	741757-0-00	2	vite	screw	vis		
44	704210-4-00	2	rondella	washer	rondelle		
45	301558-2-10	1	traversino	tie	traverse		
46	301599-0-10	1	pomolo	knob	pommeau		
47	301564-0-12	1	pomolo	knob	pommeau		





Q.T.	DESCRIZIONE	DESCRIPTION	DESCRIPTION	BEZEICHNUNG	DESCRIPTION
1	passafilo completo	thread guide assembly	thread guide assembly	passafilo completo	thread guide assembly
1	passafilo	thread guide	thread guide	passafilo	thread guide
1	vite	screw	screw	vite	screw
1	coavillotto	coupling	coupling	coavillotto	coupling
1	vite	nut	nut	vite	nut
1	passafilo	thread guide	thread guide	passafilo	thread guide
1	passafilo	thread guide	thread guide	passafilo	thread guide
2	molle a tazza	spring	spring	molle a tazza	spring
2	molle	spring	spring	molle	spring
2	vite	nut	nut	vite	nut
2	anelli elastici	spring	spring	anelli elastici	spring
1	passafilo	thread guide	thread guide	passafilo	thread guide
1	passafilo	thread guide	thread guide	passafilo	thread guide
1	vite	screw	screw	vite	screw
1	guidafilo	thread guide	thread guide	guidafilo	thread guide
2	vite	nut	nut	vite	nut
1	passafilo	thread guide	thread guide	passafilo	thread guide
2	fondello	base	base	fondello	base
2	vite	nut	nut	vite	nut
1	guidafilo	thread guide	thread guide	guidafilo	thread guide
1	passafilo	thread guide	thread guide	passafilo	thread guide

Fig. N. Abb. N.	Part. N. Piece N. Bestell N. Pieza N.	Qt. Anzahl	DESCRIZIONE	DESCRIPTION	DESCRIPTION	BENENNUNG	DESCRIPCION
48	301561-0-10	1	molla	spring	ressort		
49	704717-0-00	1	rondella	washer	rondelle		
50	202100-0-10	1	perno	pin	pivot		
51	202120-0-10	1	levetta	lever	levier		
52	700205-0-00	1	anello elastico	circlip	circlip		
			SOLO A RICHIESTA	ONLY ON REQUEST	SEULEMENT SUR DEMANDE		
20	306162-2-10	1	spalla sinistra	left support	support gauche		
39	306161-0-10	1	spalla destra	right support	support droite		
45	306163-2-10	1	traversino	tie	traverse		



SEULEMENT SUR DEMANDE ONLY ON REQUEST SOLO A RICHIESTA

levier	levier	levier	1	301821-0-10	88
traverse	traverse	traverse	1	301810-0-10	89
support gauche	support gauche	support gauche	1	302100-0-10	90
support droite	support droite	support droite	1	302100-0-10	91
traverse	traverse	traverse	1	302100-0-10	92
levier	levier	levier	1	302100-0-10	93
levier	levier	levier	1	302100-0-10	94
levier	levier	levier	1	302100-0-10	95
levier	levier	levier	1	302100-0-10	96
levier	levier	levier	1	302100-0-10	97
levier	levier	levier	1	302100-0-10	98
levier	levier	levier	1	302100-0-10	99
levier	levier	levier	1	302100-0-10	100

Fig. N. Abb. N.	Part. N. Pezce N. Bestell N. Pieza N.	Qt. Anzahl	DESCRIZIONE	DESCRIPTION	DESCRIPTION	BENENNUNG	DESCRIPCION
★	308546-4-00	1	gruppo tensioni	tension assembly	groupe tensions		
⚙	308320-4-00	1	tirante con leva	tie-rod with lever	tirant avec levier		
1	704240-2-00	2	rondella	washer	rondelle		
2	304763-0-10	2	anello di tenuta	retainer ring	bague d'étanchéité		
3	308996-0-01	1	albero comando alza piedino	shaft	arbre soulèv. pied de biche		
4	746204-0-00	1	dado	nut	écrou		
5	729884-2-00	1	vite	screw	vis		
6	729034-2-00	2	vite per leva	screw for lever	vis pour levier		
7	308062-2-00	1	leva comando alza piedino	presserfoot control lever	levier solèv. pied de biche		
8	740632-2-00	1	vite	screw	vis		
9	302232-0-10	1	leva superiore	upper lever	levier supérieur		
10	707241-0-00	2	spina elastica	split pin	goupille		
11	308321-0-00	1	tirante	tie-rod	tirant		
12	308495-2-00	1	leva sblocca tensione	lever	levier déblocage tension		
13	740636-2-00	1	vite per leva	screw for lever	vis pour levier		
14	302238-0-10	1	leva per tirante	tie-rod lever	levier pour tirant		
15	745126-2-00	1	vite	screw	vis		
16	727834-2-00	1	vite	screw	vis		
17	308512-0-00	2	distanziale	spacer	entretoise		
18	308502-0-00	1	slitta per tensione	slide for tension	glissière tension		
19	701007-0-00	2	anello	ring	anneau		
20	308506-0-00	4	pernetto	pin	pivot		
21	202214-0-10	1	vite	screw	vis		
22	733505-2-00	1	dado	nut	écrou		
23	308501-0-01	8	passafilo	thread guide	passé-fil		
24	308503-0-01	8	guidafilo	thread guide	guide-fil		
25	744676-2-00	2	vite	screw	vis		
26	308548-0-00	1	supporto	support	support		
27	308505-0-00	7	perno a vite	threaded pin	pivot à vis		
28	300218-0-10	16	disco tensione	tension disc	disque tension		
29	308507-0-00	7	rondella	washer	rondelle		
30	202556-0-00	8	scodellino	cup	cuvette		
31	200710-0-10	4	molla	spring	ressort		
32	202229-0-10	8	bussola superiore	upper bush	bague supérieure		
33	202558-2-00	8	pomolo	knob	pommeau		
34	200714-0-10	4	molla	spring	ressort		
35	308518-4-00	4	tensione sup. con molla fig.31	upper tension with spring fig.31	tension sup. avec ressort fig. 31		
36	308521-4-00	3	tensione inf. con molla fig. 34	lower tension with spring fig.34	tension inf. avec ressort fig. 34		
37	308511-0-00	1	perno	pin	pivot		
38	308523-4-00	1	tensione inf. con molla fig.34	lower tension with spring fig.34	tension inf. avec ressort fig. 34		

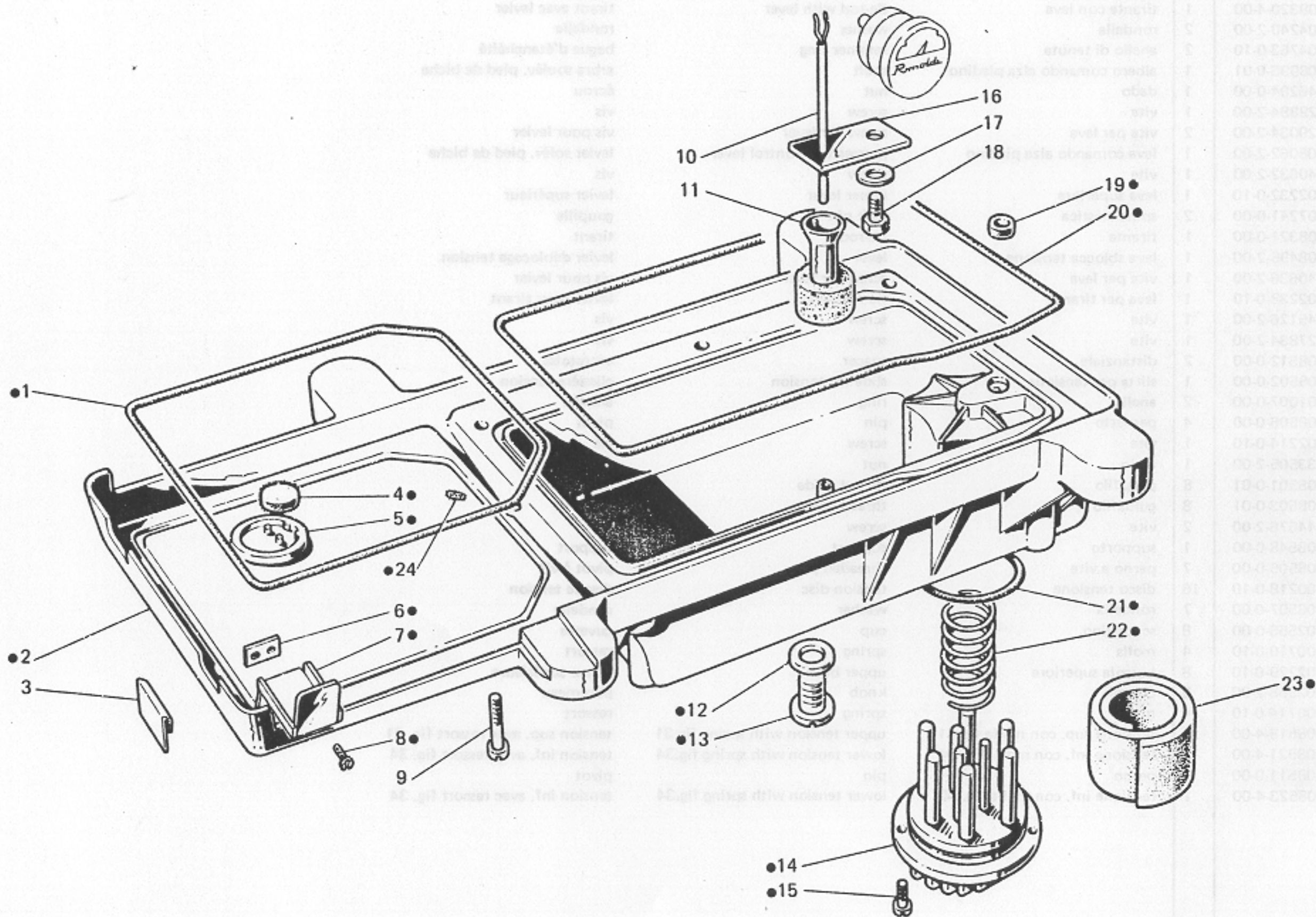
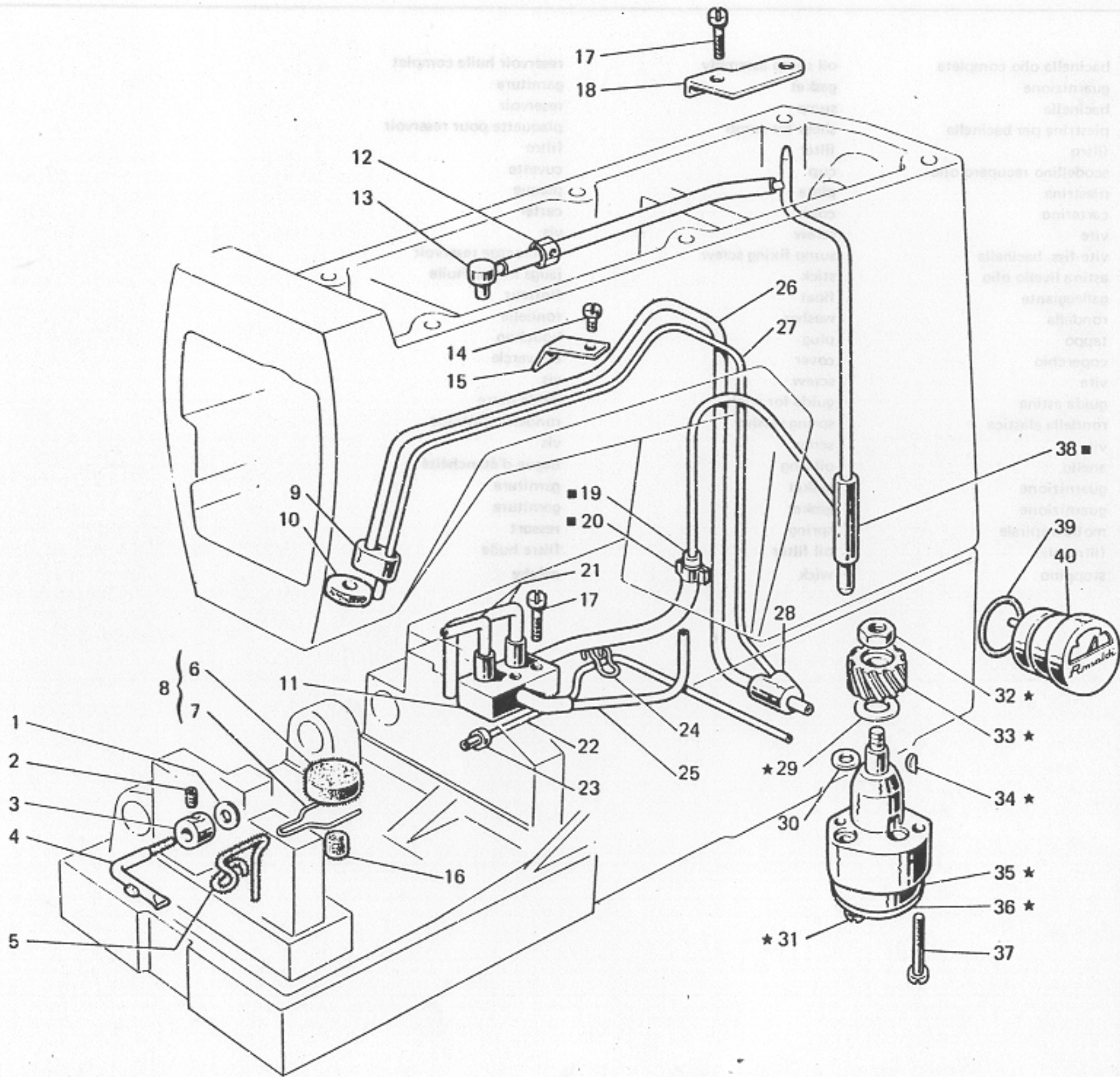


Fig. N. Abb. N.	Part. N. Bestell N. Pieze N.	Qt. Anzahl	DESCRIZIONE	DESCRIPTION	DESCRIPTION	BENENNUNG	DESCRIPCION
●	308594-4-02	1	bacinella olio completa	oil sump assembly	reservoir huile complet		
1	308125-0-00	1	guarnizione	gasket	garniture		
2	308580-2-01	1	bacinella	sump	reservoir		
3	308002-0-00	2	piastrina per bacinella	sheet for sump	plaquette pour reservoir		
4	308151-0-00	1	filtro	filter	filtre		
5	308150-0-10	1	scodellino recupero olio	cup	cuvette		
6	304020-0-10	1	piastrina	plate	plaque		
7	304021-0-10	1	carterino	cover	carter		
8	721434-2-00	2	vite	screw	vis		
9	722453-2-00	6	vite fiss. bacinella	sump fixing screw	vis blocage reservoir		
10	308231-2-01	1	astina livello olio	stick	jauge niveau huile		
11	308228-2-00	1	galleggiante	float	flotteur		
12	705977-0-00	1	rondella	washer	rondelle		
13	206564-0-00	1	tappo	plug	bouchon		
14	206560-0-10	1	coperchio	cover	couvercle		
15	721464-2-00	2	vite	screw	vis		
16	308226-0-01	1	guida astina	guide for stich	guide barre		
17	703003-0-00	1	rondella elastica	spring washer	rondelle élastique		
18	740240-0-00	1	vite	screw	vis		
19	308113-0-00	1	anello	oil ring	bague d'étanchéité		
20	308126-0-00	1	guarnizione	gasket	garniture		
21	701051-0-00	1	guarnizione	gasket	garniture		
22	206545-0-00	1	molla a spirale	spring	ressort		
23	206559-0-00	1	filtro olio	oil filter	filtre huile		
24	778461-0-00	1	stoppino	wick	mèche		



Q.T.	DESCRIZIONE	REVISIONE	DATA
1	308204-002		
1	308125-010		
1	308200-001		
2	308003-000		
3	308121-000		
4	308120-010		
5	308120-010		
6	308070-010		
7	308021-010		
8	321434-000		
9	323423-000		
10	308221-001		
11	308128-000		
12	308111-000		
13	308204-000		
14	308200-010		
15	321401-000		
16	308220-001		
17	323423-000		
18	308120-000		
19	308120-000		
20	308128-000		
21	308121-000		
22	308204-000		
23	308200-000		
24	308200-000		
25	308200-000		
26	308200-000		
27	308200-000		
28	308200-000		
29	308200-000		
30	308200-000		
31	308200-000		
32	308200-000		
33	308200-000		
34	308200-000		
35	308200-000		
36	308200-000		
37	308200-000		
38	308200-000		
39	308200-000		
40	308200-000		

Fig. N. Abb. N.	Part. N. Bastell N. Piece N. Pieza N.	Ct. Anzahl	DESCRIZIONE	DESCRIPTION	DESCRIPTION	BENENNUNG	DESCRIPCION
■	310500-4-00	1	raccordo mandata olio compl.	pipe connection assembly	raccord envoi huile compl.		
★	308105-4-01	1	pompa olio completa	oil pump assembly	pumpe huile complète		
1	300420-0-10	1	rondella	washer	rondelle		
2	730011-2-00	1	vite	screw	vis		
3	300419-0-10	1	raccordo	pipe union	raccord		
4	308243-3-00	1	tubetto e stoppino	pipe and wick	tube et mèche		
5	778240-0-00	1	stoppino	wick	mèche		
6	308153-0-01	1	filtro	filter	filtre		
7	308154-0-00	1	molletta	spring	ressort		
8	308155-4-01	1	gruppo molletta con filtro	spring with filter assembly	groupe ressort avec filtre		
9	308123-0-00	1	raccordo superiore	upper pipe union	raccord supérieur		
10	308219-0-00	1	feltro	felt	feutre		
11	308114-2-01	1	distributore	distributor	distributeur		
12	308040-2-00	1	tubetto	pipe	tube		
13	308214-0-00	1	raccordo mandata olio	pipe union	raccord		
14	721424-2-00	1	vite	screw	vis		
15	308184-0-00	1	fascetta	clamp	bride		
16	308295-0-00	1	filtro	filter	filtre		
17	721514-0-00	3	vite	screw	vis		
18	308104-0-00	1	piastrina	plate	plaquette		
19	308207-0-00	1	tubetto	pipe	tube		
20	308043-0-00	1	fascetta	clamp	bride		
21	790307-0-00	2	tubetto	pipe	tube		
22	790325-0-00	1	tubetto	pipe	tube		
23	308212-0-00	1	bussolina olio	bush	bague		
24	308211-0-00	2	clip	clip	clip		
25	790315-0-00	1	tubetto	pipe	tube		
26	790342-0-00	1	tubetto recupero olio	pipe	tube		
27	790242-0-00	1	tubetto recupero olio	pipe	tube		
28	308185-0-00	1	raccordo inferiore	lower pipe union	raccord inférieur		
29	704813-0-00	1	rondella	washer	rondelle		
30	701004-0-00	1	anello di tenuta	oil ring	bague d'étanchéité		
31	741082-2-00	2	vite	screw	vis		
32	733507-0-00	1	dado	nut	écrou		
33	206555-0-00	1	ingranaggio	gear	engrenage		
34	206557-0-00	1	chiavetta	key	clavette		
35	308110-3-00	1	corpo pompa aspirante	suction pump body	corps pompe admission		
36	308111-0-00	1	coperchio pompa	pump cover	couvercle pompe		
37	741092-0-00	2	vite fissaggio pompa	pump fixing screw	vis fixation pompe		
38	308180-2-00	1	raccordo mandata olio	pipe union	raccord		
39	701032-0-00	1	anello di tenuta	oil ring	bague d'étanchéité		
40	206669-2-01	1	indicatore livello olio	oil level gauge	indicateur niveau huile		

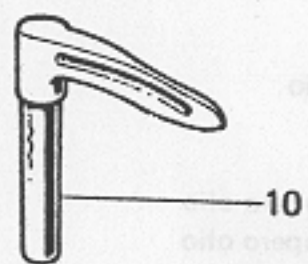
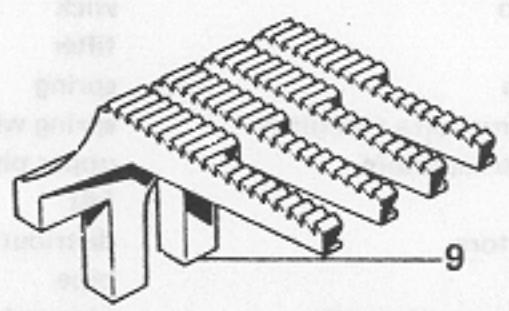
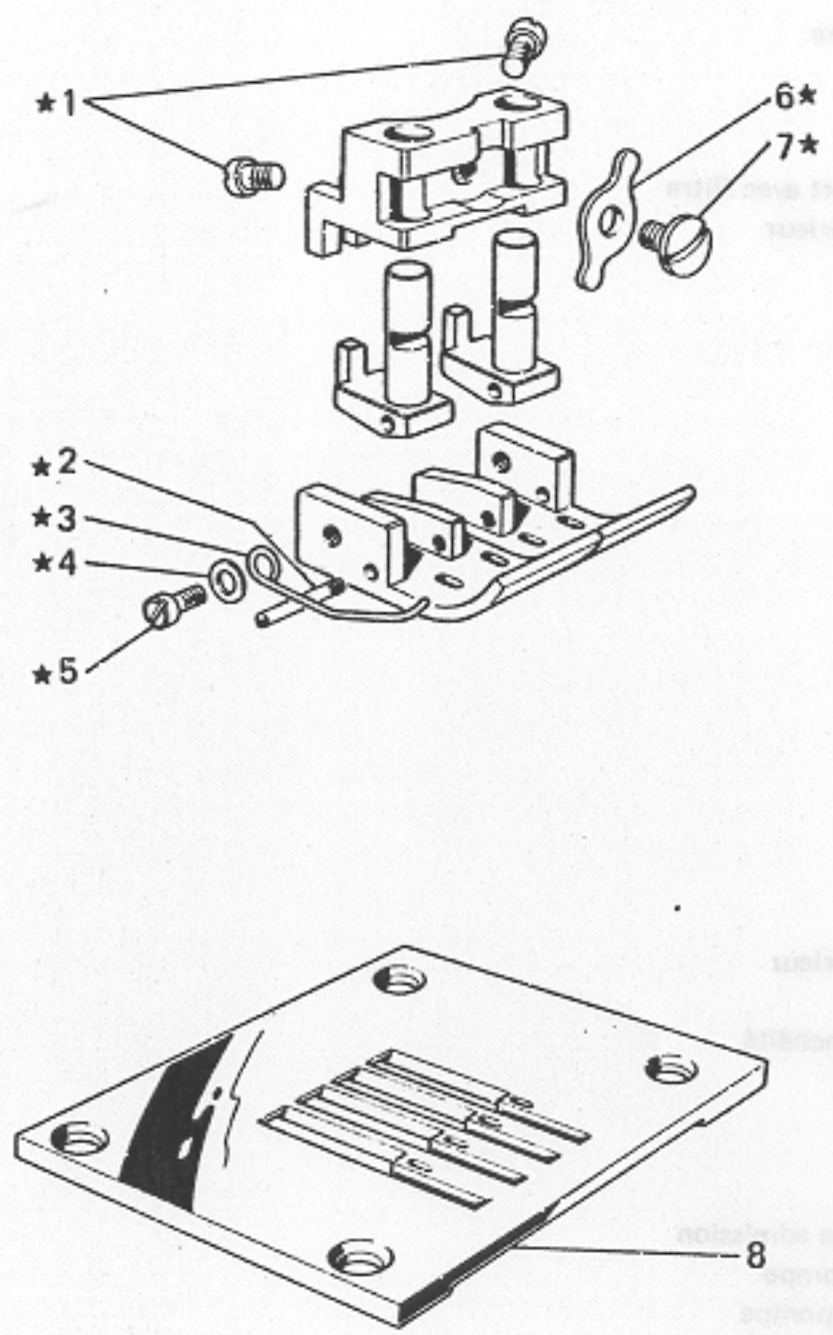


Fig. N. Abb. N.	Part. N. Pezce N. Bestell N. Pieza N.	Qt. Anzahl	DESCRIZIONE	DESCRIPTION	DESCRIPTION	BENENNUNG	DESCRIPCION
★	306672-3-00	1	piedino completo	presserfoot assembly	pied-presseur complet		
1	742010-2-00	2	vite	screw	vis		
2	300120-0-10	2	spina filettata	pin	goupille		
3	990809-0-00	2	salvadita	protection	protection		
4	704206-2-00	2	rondella	washer	rondelle		
5	741711-2-00	2	vite	screw	vis		
6	304222-0-11	1	bilanciere	compensator	balancier		
7	304221-0-11	1	vite	screw	vis		
8	304198-0-11	1	placca ago	needle plate	plaque à aiguille		
9	304160-0-10	1	griffa	feed dog	griffe		
10	304186-0-11	4	crochet inferiore	lower looper	crochet inférieur		
11	785388-0-20	1	targhetta classe testa	head class plate	plaque classe tête		
			SOLO A RICHIESTA	ONLY ON REQUEST	SEULEMENT SUR DEMANDE		
8	304362-0-00	1	placca ago	needle plate	plaque à aiguille		

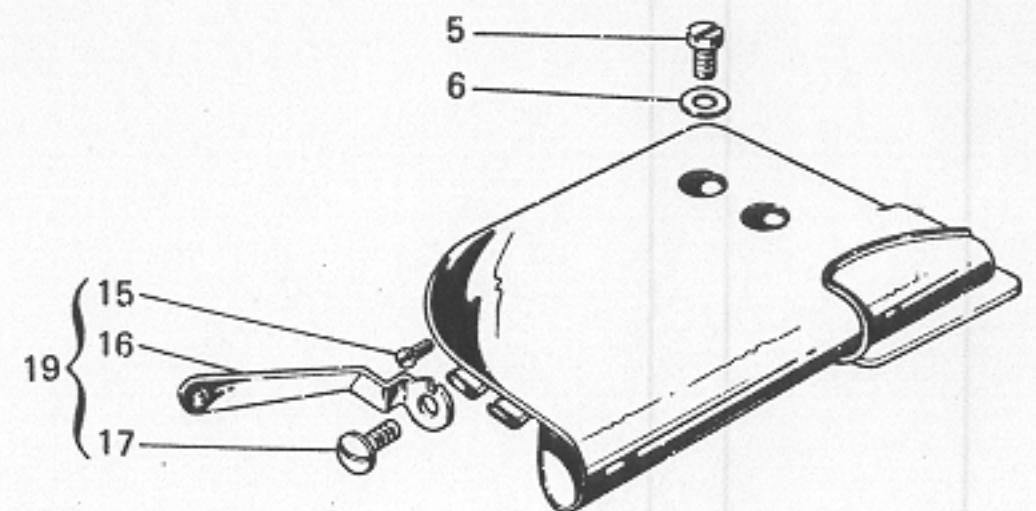
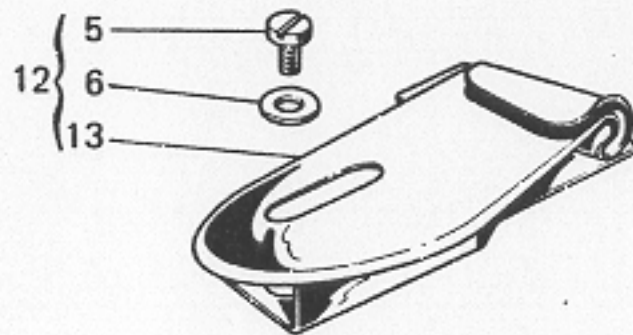
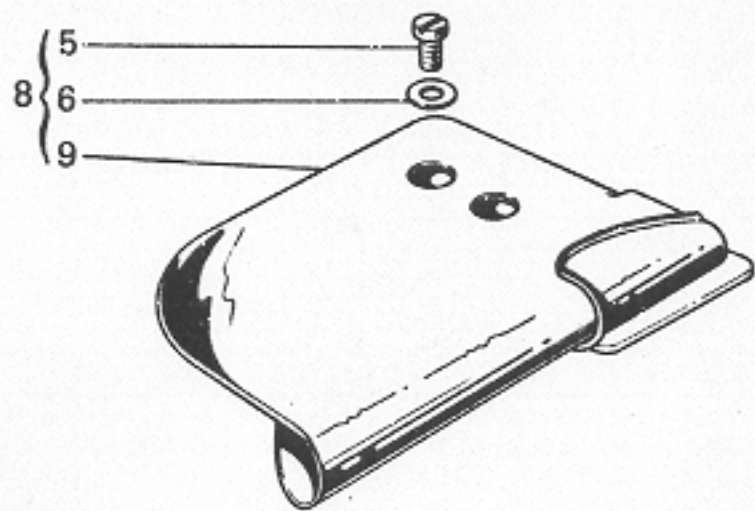
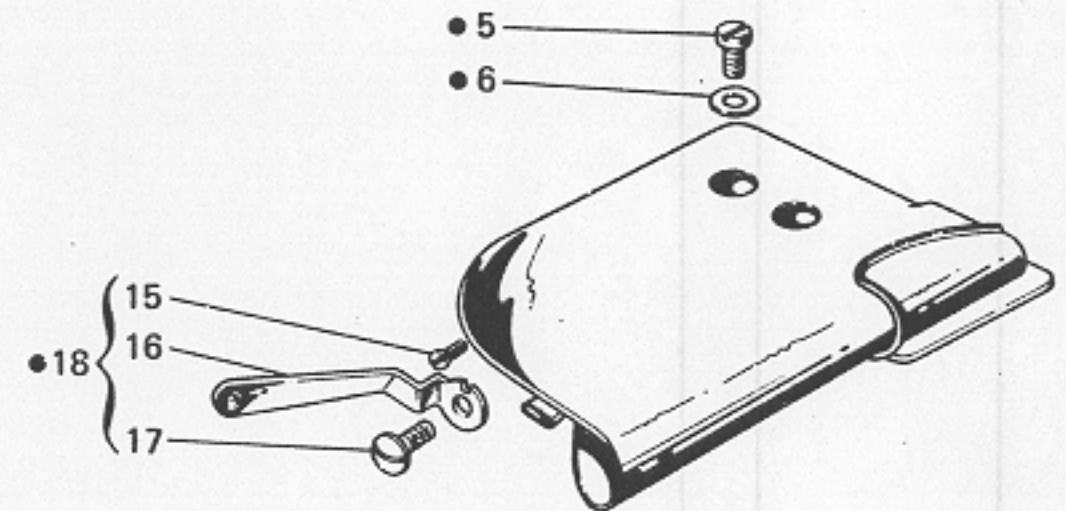
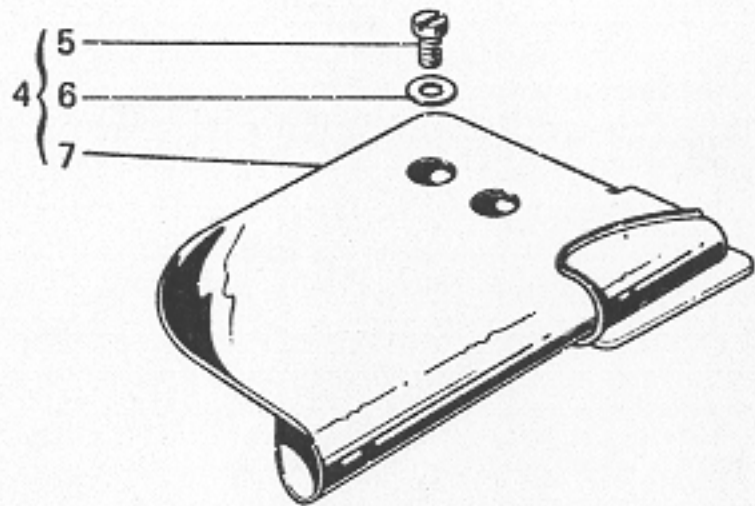
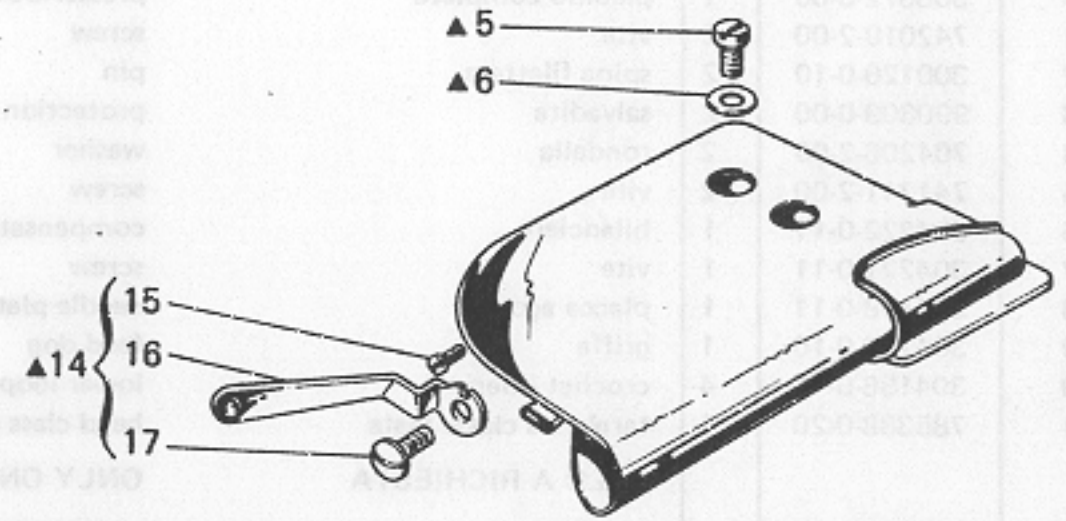
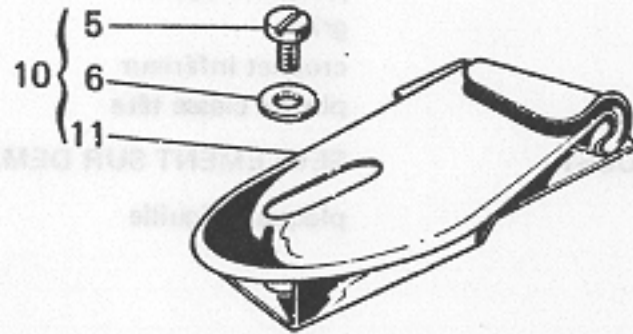
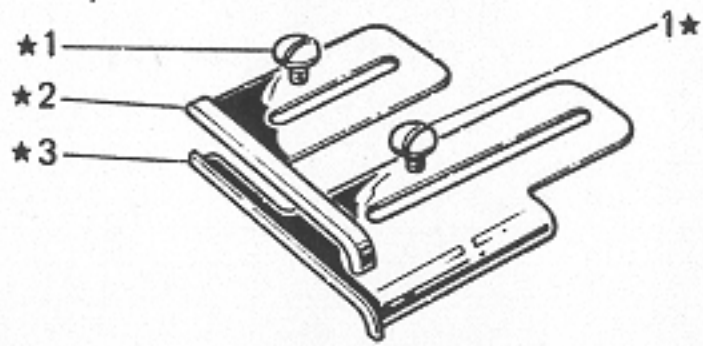


Fig. N. Abb. N.	Part. N. Pezce N. Bestell N. Pieza N.	Ct. Anzahl	DESCRIZIONE	DESCRIPTION	DESCRIPTION	BENENNUNG	DESCRIPCION
▲	304242-4-10	1	passafilo completo	thread guide assembly	passe-fil compl.		
1	302136-0-11	1	passafilo	thread guide	passe-fil		
2	729011-2-00	1	vite	screw	vis		
3	308137-0-00	1	cavallotto	coupling	cavalier		
4	724420-2-00	1	vite	screw	vis		
5	308834-0-00	1	passafilo	thread guide	passe-fil		
6	304188-0-10	1	guidafilo	thread guide	guide-fil		
7	702402-0-00	2	molla a tazza	cup spring	ressort à tasse		
8	304249-0-10	2	molla	spring	ressort		
9	304330-0-10	2	vite	screw	vis		
10	300429-0-10	2	anello elastico	spring ring	anneau ressort		
11	300428-0-10	2	bussola	bush	bague		
12	304241-0-10	1	passafilo	thread guide	passe-fil		
13	721444-2-00	1	vite	screw	vis		
14	304243-0-10	1	guidafilo	thread guide	guide-fil		
15	303045-0-10	2	vite	screw	vis		
16	304248-0-10	1	passafilo	thread guide	passe-fil		
17	704210-4-00	2	rondella	washer	rondelle		
18	300483-0-10	2	vite	screw	vis		
19	301270-0-10	1	guidafilo	thread guide	guide-fil		
20	311098-0-00	1	passafilo	thread guide	passe-fil		

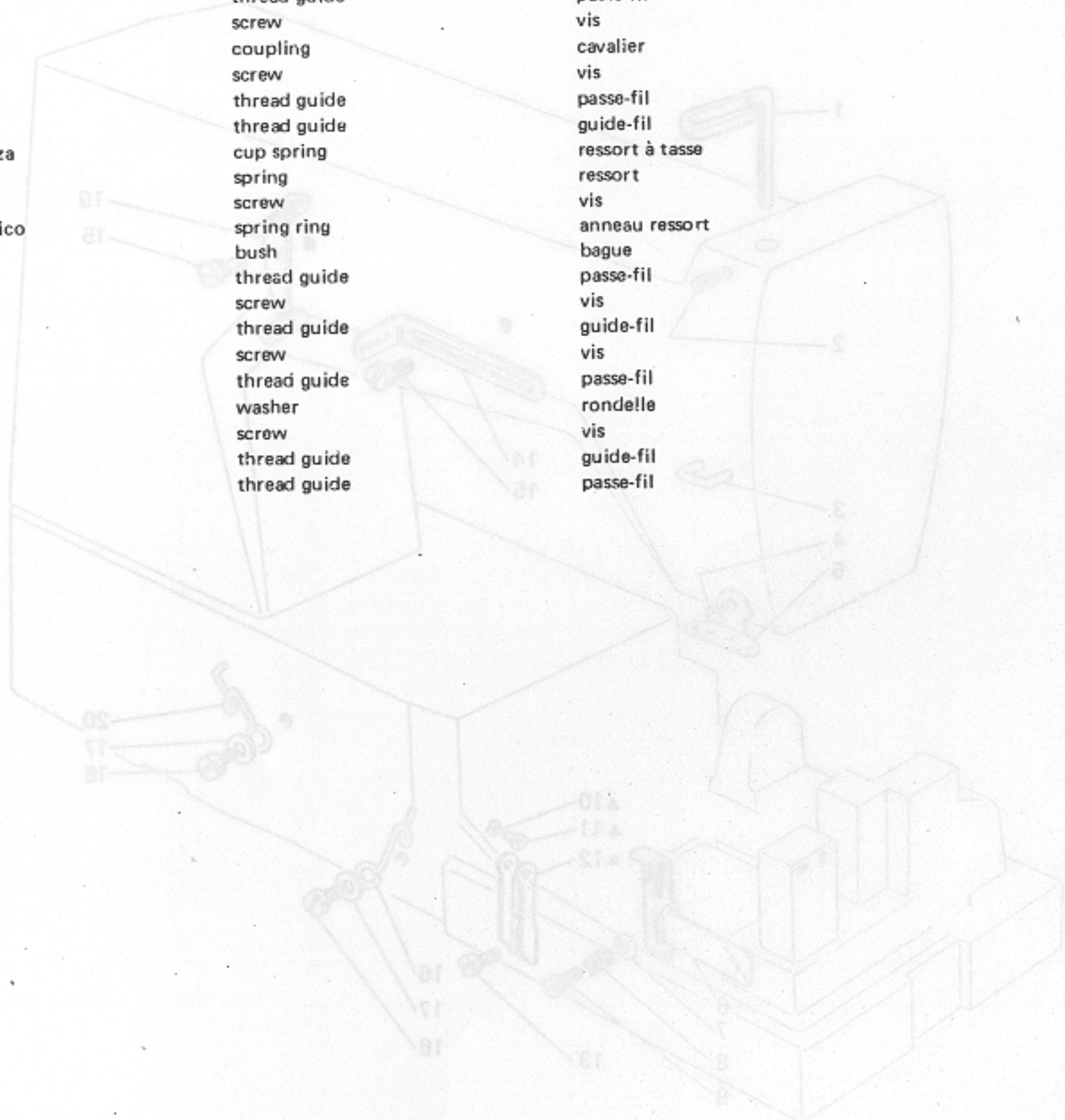
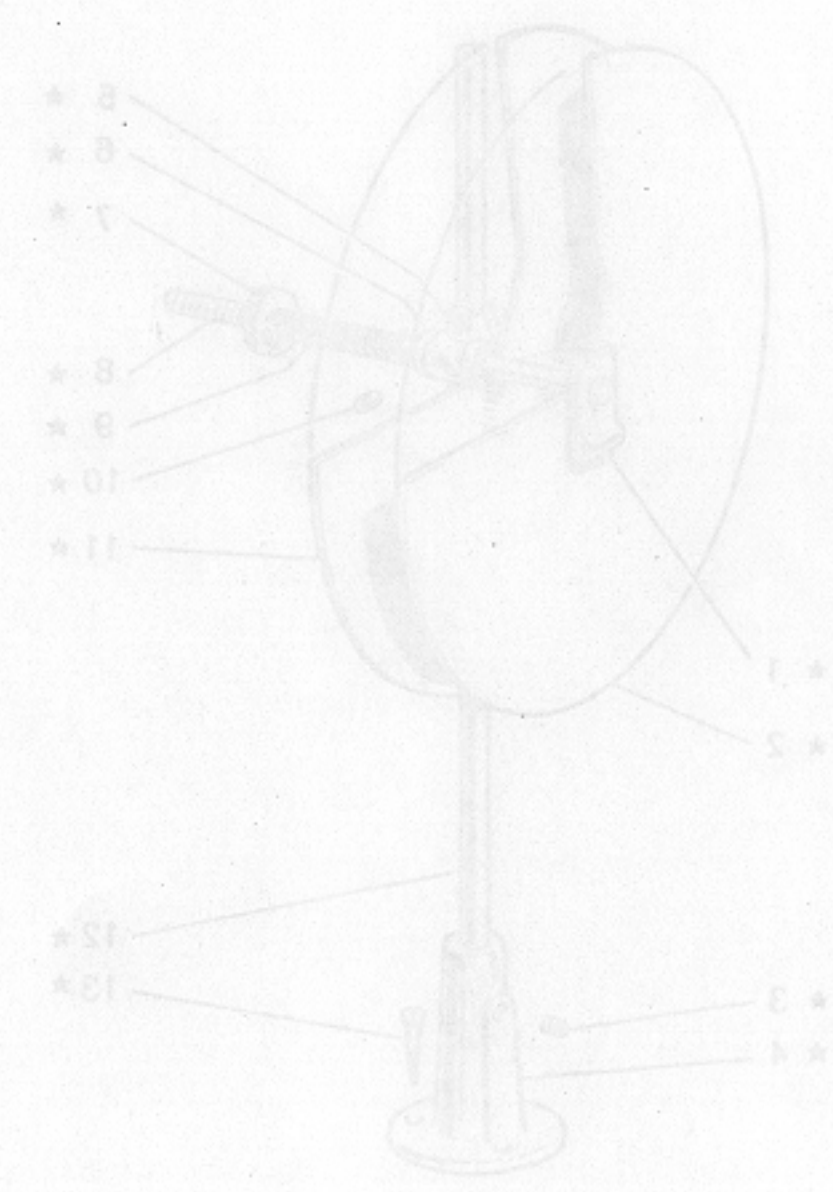
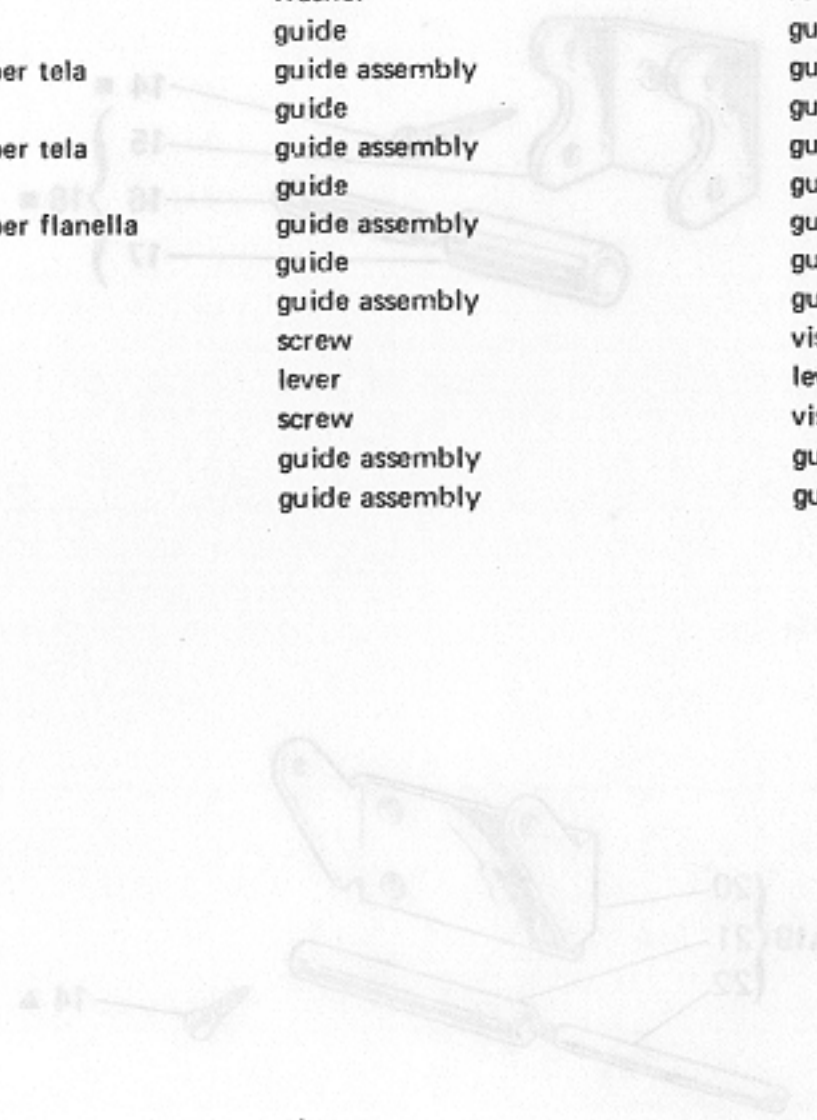
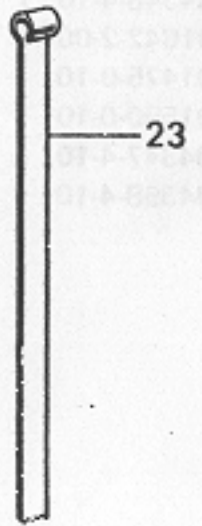
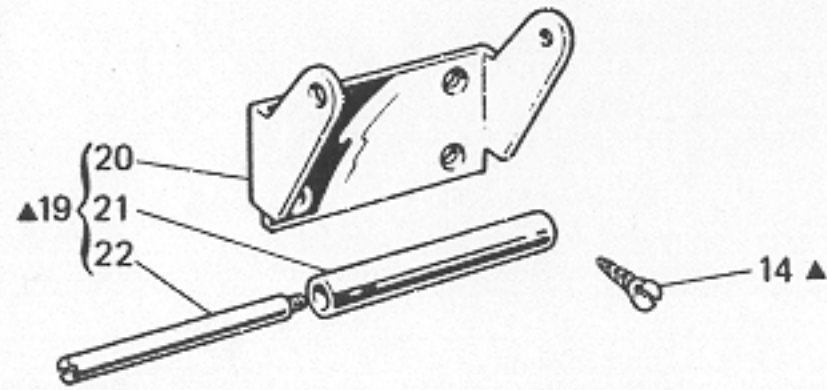
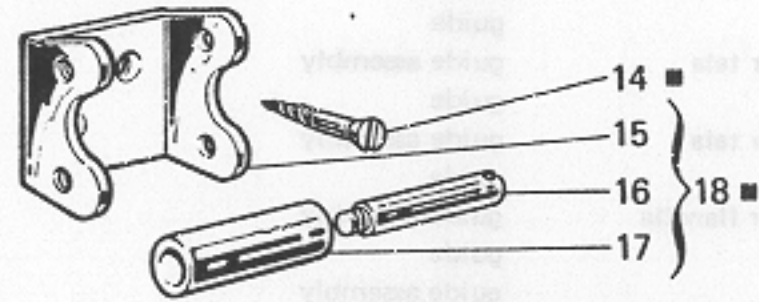
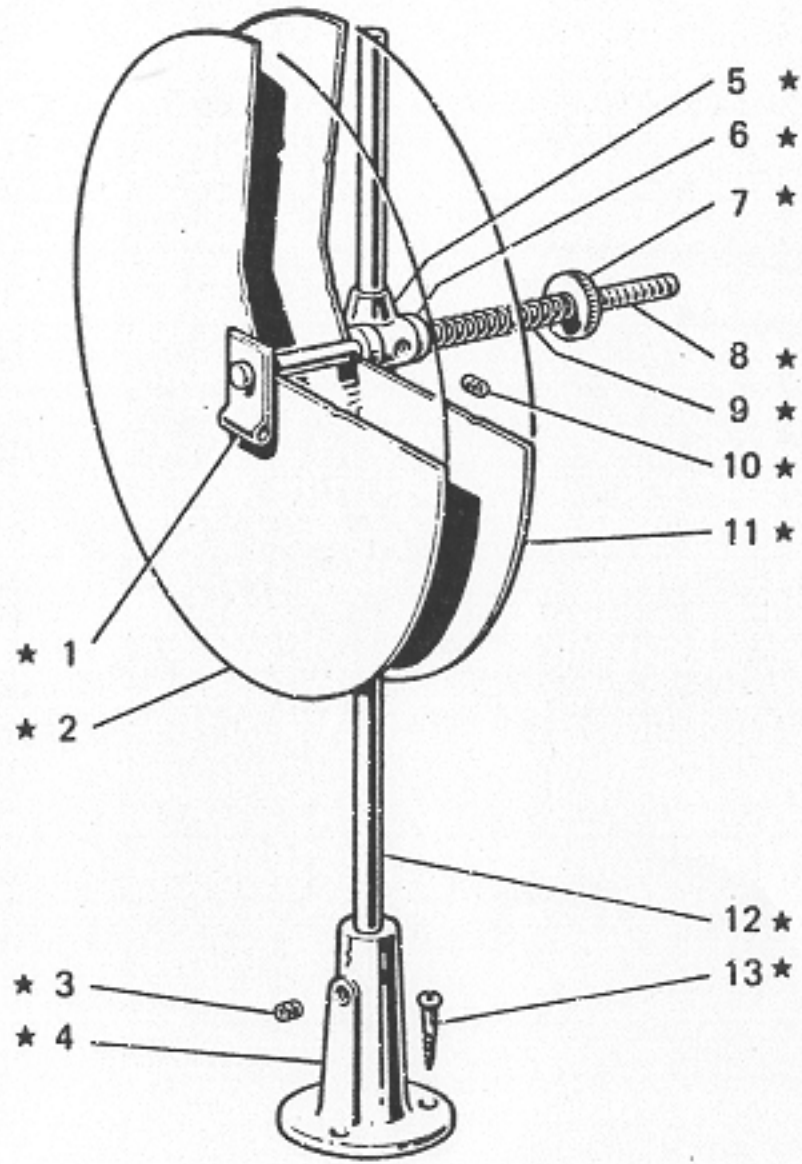


Fig. N. Abb. N.	Part. N. Bestell N. Pieze N.	Qt. Anzahl	DESCRIZIONE	DESCRIPTION	DESCRIPTION	BENENNUNG	DESCRIPCION
			SOLO A RICHIESTA	ONLY ON REQUEST	SEULEMENT SUR DEMANDE		
★	304342-4-10	1	guida completa	guide assembly	guide complet		
▲	310090-4-00	1	guida completa per tela	guide assembly	guide complet		
●	310091-4-00	1	guida completa per tela	guide assembly	guide complet		
1	203589-0-10	4	vite	screw	vis		
2	304344-2-10	1	guida destra	right guide	guide droite		
3	304345-0-10	1	guida sinistra	left guide	guide gauche		
4	310118-4-00	1	guida completa per flanella	guide assembly	guide complet		
5	742232-2-00	14	vite	screw	vis		
6	704424-2-00	14	rondella	washer	rondelle		
7	304280-0-10	1	guida	guide	guide		
8	310120-4-00	1	guida completa per tela	guide assembly	guide complet		
9	305902-0-00	1	guida	guide	guide		
10	310130-4-00	1	guida completa per tela	guide assembly	guide complet		
11	304340-0-11	1	guida	guide	guide		
12	310131-4-00	1	guida completa per flanella	guide assembly	guide complet		
13	304341-0-11	1	guida	guide	guide		
14	304346-4-10	1	guida completa	guide assembly	guide complet		
15	741642-2-00	12	vite	screw	vis		
16	301475-0-10	3	leva	lever	levier		
17	301590-0-10	3	vite	screw	vis		
18	304347-4-10	1	guida completa	guide assembly	guide complet		
19	304358-4-10	1	guida completa	guide assembly	guide complet		





SEULEMENT SUR DEMANDE

ONLY ON REQUEST

SOLO A RICHIESTA

Part No.	Part Name	QTY	Part No.	Part Name	QTY
30423-4-10	guide complete	1	30423-4-10	guide complete	1
31000-4-00	guide complete per tela	1	31000-4-00	guide complete per tela	1
31001-4-00	guide complete per tela	1	31001-4-00	guide complete per tela	1
30252-0-10	vite	4	30252-0-10	vite	4
30424-3-10	guide destra	1	30424-3-10	guide destra	1
30425-0-10	guide sinistra	1	30425-0-10	guide sinistra	1
31018-4-00	guide complete per lamelle	1	31018-4-00	guide complete per lamelle	1
34323-3-00	vite	14	34323-3-00	vite	14
30424-2-00	lamelle	14	30424-2-00	lamelle	14
30420-0-10	guide	1	30420-0-10	guide	1
310120-4-00	guide complete per tela	1	310120-4-00	guide complete per tela	1
307002-0-00	guide	1	307002-0-00	guide	1
310131-4-00	guide complete per tela	1	310131-4-00	guide complete per tela	1
30424-0-11	guide	1	30424-0-11	guide	1
310131-4-00	guide complete per tela	1	310131-4-00	guide complete per tela	1
30424-0-11	guide	1	30424-0-11	guide	1
310131-4-00	guide complete per tela	1	310131-4-00	guide complete per tela	1
30424-0-11	guide	1	30424-0-11	guide	1
310131-4-00	guide complete per tela	1	310131-4-00	guide complete per tela	1
30424-0-11	guide	1	30424-0-11	guide	1
310131-4-00	guide complete per tela	1	310131-4-00	guide complete per tela	1
30424-0-11	guide	1	30424-0-11	guide	1

Fig. N. Abb. N.	Part. N. Piece N. Bestell N. Pieza N.	Qt. Anzahl	DESCRIZIONE	DESCRIPTION	DESCRIPTION	BENENNUNG	DESCRIPCION
★	990629-4-12	1	porta rotolo completo	roll carrier assembly	porte-rouleau complet		
■	930742-4-00	1	staffa completa con viti	bracket assembly with screws	bride complète avec vis		
▲	930743-4-00	1	staffa completa con viti	bracket assembly with screws	bride complète avec vis		
1	990610-0-10	1	molla	spring	ressort		
2	990626-0-10	1	disco	disc	disque		
3	729054-2-00	1	vite	screw	vis		
4	991114-2-00	1	basetta con vite	base with screw	base avec vis		
5	991153-2-00	1	supporto con viti	support with screws	support avec vis		
6	990615-0-10	1	bussola	bush	bague		
7	990613-0-10	1	pomolo	knob	pommeau		
8	990609-0-10	1	astina filettata	rod	tige		
9	990614-0-10	1	molla	spring	ressort		
10	729024-2-00	2	vite	screw	vis		
11	990628-2-10	1	disco	disc	disque		
12	990592-0-11	1	asta	rod	tige		
13	731107-2-00	3	vite da legno	screw	vis		
14	731263-0-00	6	vite da legno	screw	vis		
15	930250-0-10	1	staffa	bracket	bride		
16	930253-0-10	2	perno	pin	pivot		
17	930252-0-10	2	rullino	roller	rouleau		
18	930251-4-10	1	staffa completa	bracket assembly	bride complète		
19	990697-4-10	1	staffa completa	bracket assembly	bride complète		
20	990696-0-10	1	staffa	bracket	bride		
21	301479-0-10	1	rullino	roller	rouleau		
22	301480-0-10	1	perno	pin	pivot		
23	930105-0-10	1	astina	rod	tige		

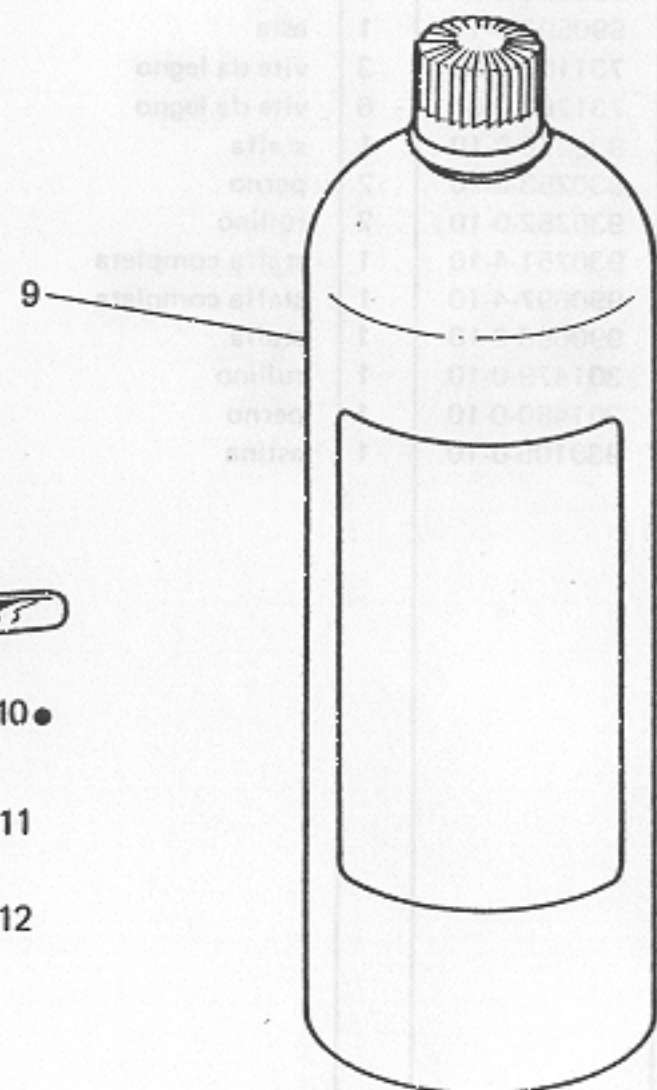
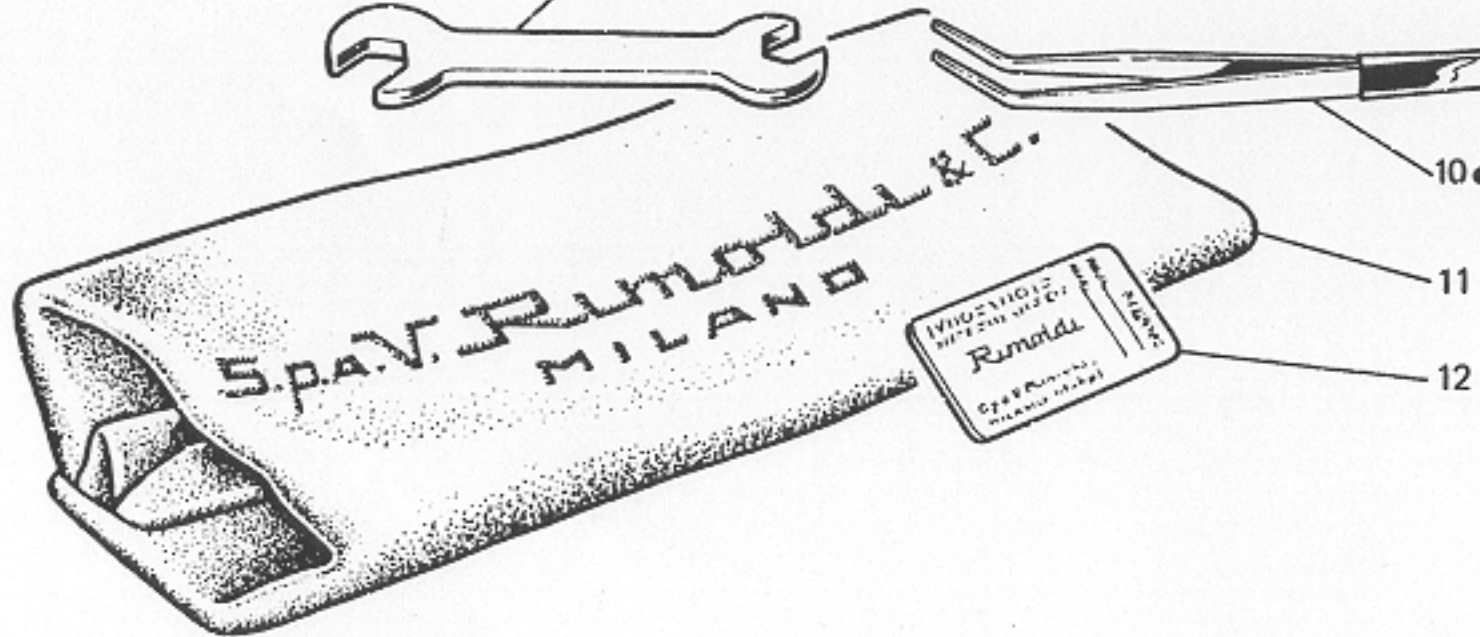
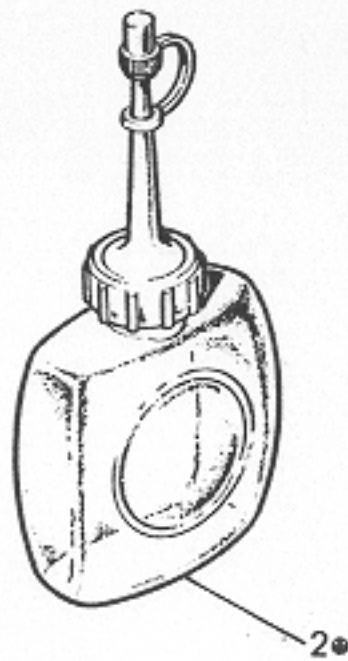
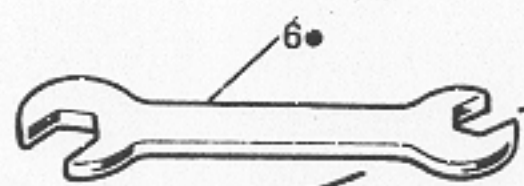
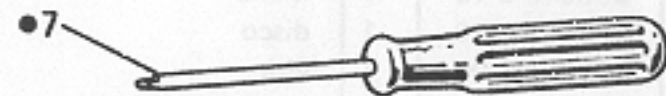
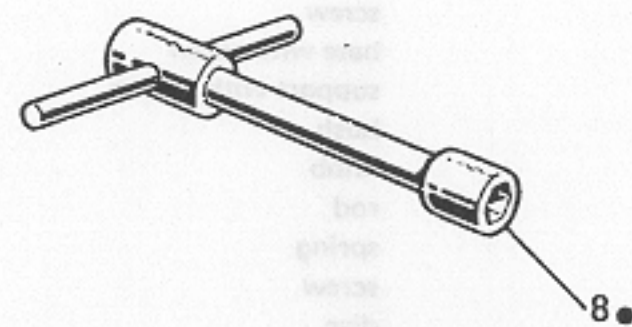
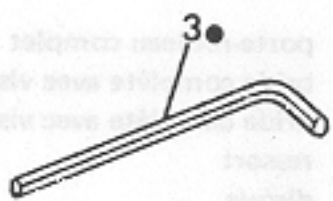
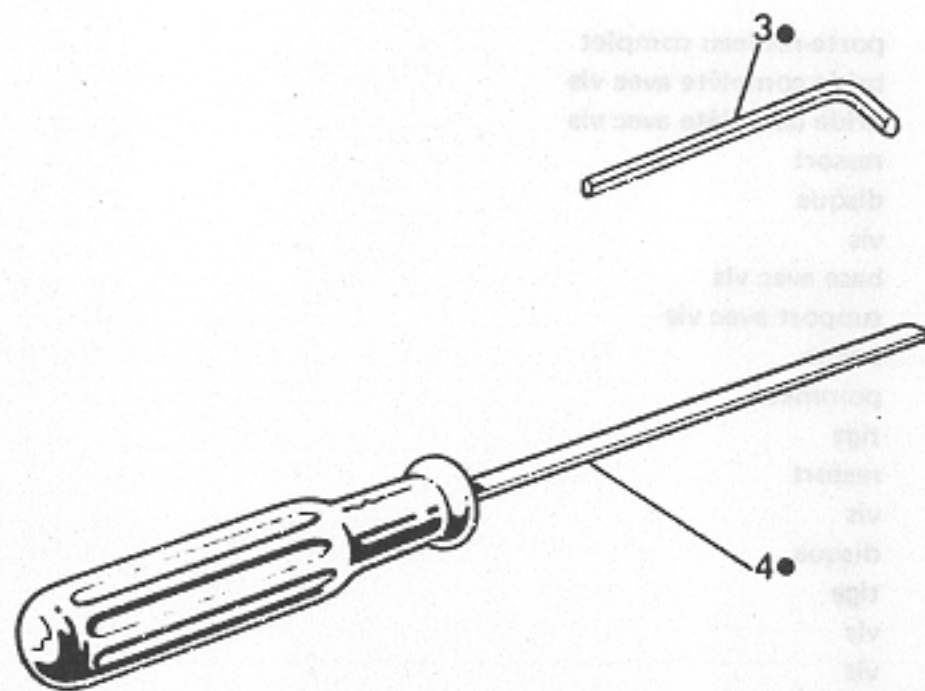
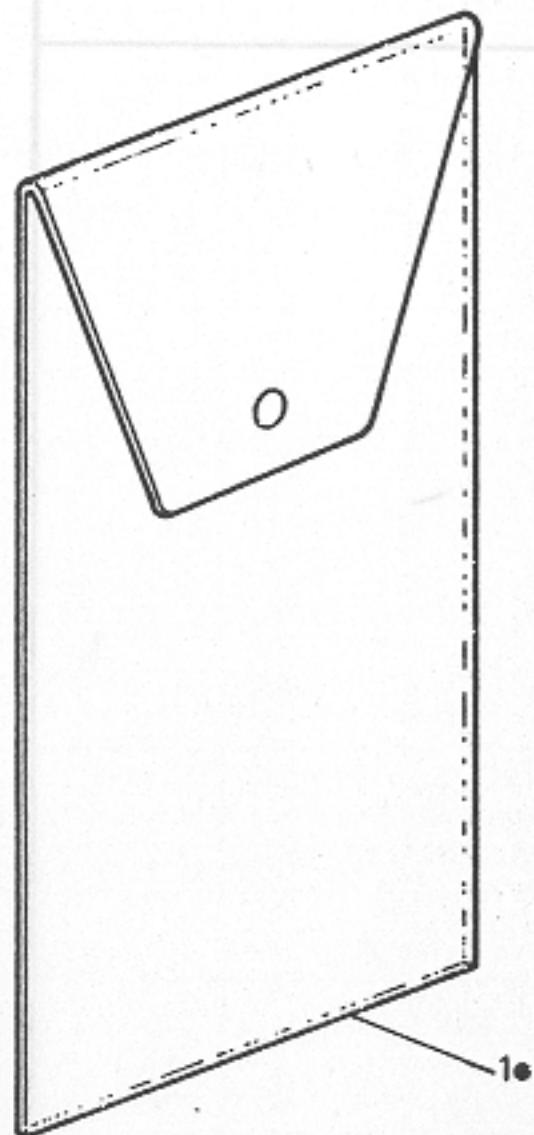


Fig. N. Abb. N.	Part. N. Piece N. Bestell N. Pieza N.	Qt. Anzahl	DESCRIZIONE	DESCRIPTION	DESCRIPTION	BENENNUNG	DESCRIPCION
●	991408-4-00	1	busta accessori completa	accessories envelope assembly	envelope accessoires complète		
1	991415-0-00	1	busta accessori	accessories envelope	envelope accessoires		
2	990175-0-10	1	oliatore	oiler	graisseur		
3	990474-0-10	1	chiave esagonale da 1,5 mm	1.5 mm hexagonal key	clé hexagonale de 1,5 mm		
4	990181-0-10	1	cacciavite medio	screw-driver	tournevis moyen		
5	990188-0-10	1	infilatura aghi	needle threading	enfiles aiguilles		
6	990193-0-00	1	chiave da 5-7 mm	5-7 mm key	clé de 5-7 mm		
7	990182-0-10	1	cacciavite piccolo	screw driver	petit tournevis		
8	990587-0-10	1	chiave a tubo da 9 mm	9 mm key	clé a tube de 9 mm		
9	990075-1-13	1	lattina olio kg. 1	oil container 1 kg	bidon huile de 1 kg		
10	990176-0-10	1	pinza per infilatura	threading tweezers	pince pour infilage		
11	990578-0-12	1	cuffia protez. macchina	machine cover	couverture protection machine		
12	★	1	bustina aghi	needle packet	paquette aiguille		
			★ per l'ordinazione della bustina citare lo stesso simbolo dell'ago montato sulla testa	to order packet of needles please specify symbol of needle fitted on machine	pour commander un sachet d'aiguille donner le symbol de l'aiguille montée sur la tête		

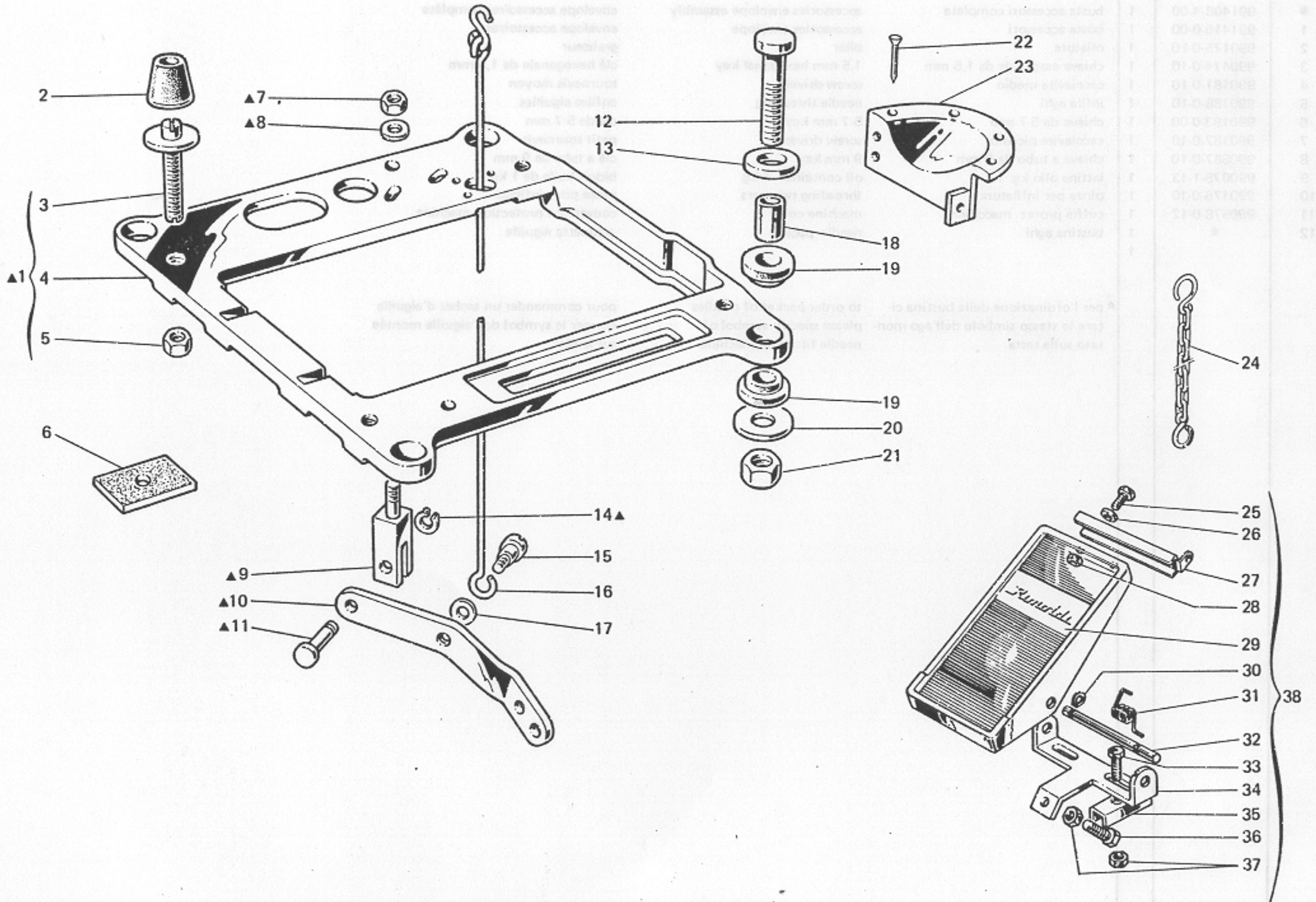


Fig. N. Abb. N.	Part. N. Bestell N. Pieza N.	N. N. N.	Qt. Anzahl	DESCRIZIONE	DESCRIPTION	DESCRIPTION	BENENNUNG	DESCRIPCION
▲	991253-4 00		1	PIAZZAMENTO NORMALE	NORMAL SETTING	INSTALLATION NORMAL		
1	991251-4-00		1	supporto testa completo	head support assembly	support tête complet		
2	990982-0-00		4	ammortizzatore	shock absorber	amortisseur		
3	900694-0-11		4	perno	pin	pivot		
4	991250-0-00		1	supporto testa	head support	support tête		
5	733008-2 00		4	dado	nut	écrou		
6	900203-0-10		4	ammortizzatore per tavola	shock absorber	amortisseur pour table		
7	746409-2-00		1	dado	nut	écrou		
8	704316-2-00		1	rondella	washer	rondelle		
9	991256-0-00		1	supportino per leva	support for lever	support pour levier		
10	991255-0-00		1	leva	lever	levier		
11	991257-0-00		1	perno	pin	pivot		
12	722905-2-00		4	vite	screw	vis		
13	704346-2-00		4	rondella	washer	rondelle		
14	700208-0-00		1	anello elastico	spring ring	anneau ressort		
15	743541-2-00		1	vite	screw	vis		
16	991259-3-00		1	tirante	tie-rod	tirant		
17	704310-2-00		1	rondella	washer	rondelle		
18	901102-0-00		4	distanziale	spacer	entretoise		
19	901101-0-00		8	ammortizzatore	shock absorber	amortisseur		
20	704345-2-00		4	rondella	washer	rondelle		
21	733813-0-00		4	dado	nut	écrou		
22	900201-0-10		7	chiodini	rivets	clous		
23	990317-0-10		1	protezione volante	handwheel protection	protection volant		
24	990179-4-11		1	catenella	chain	chaînette		
25	720464-0-00		2	vite	screw	vis		
26	704009-0-00		2	rondella	washer	rondelle		
27	900926-0-00		1	attacco	coupling	raccord		
28	733508-4-00		2	dado	nut	écrou		
29	900931-0-00		1	copertura	covering	couverture		
30	900918-0-00		2	anello elastico	spring ring	anneau ressort		
31	900927-0-00		1	molla	spring	ressort		
32	900928-0-00		1	perno	pin	pivot		
33	720505-4-00		2	vite	screw	vis		
34	900929-0-01		1	supporto	support	support		
35	900920-0-00		2	piastrina	plate	plaquette		
36	720545-4-00		1	vite	screw	vis		
37	733510-4-00		3	dado	nut	écrou		
38	900925-4-01		1	pedalina completa	pedal assembly	pédale complète		

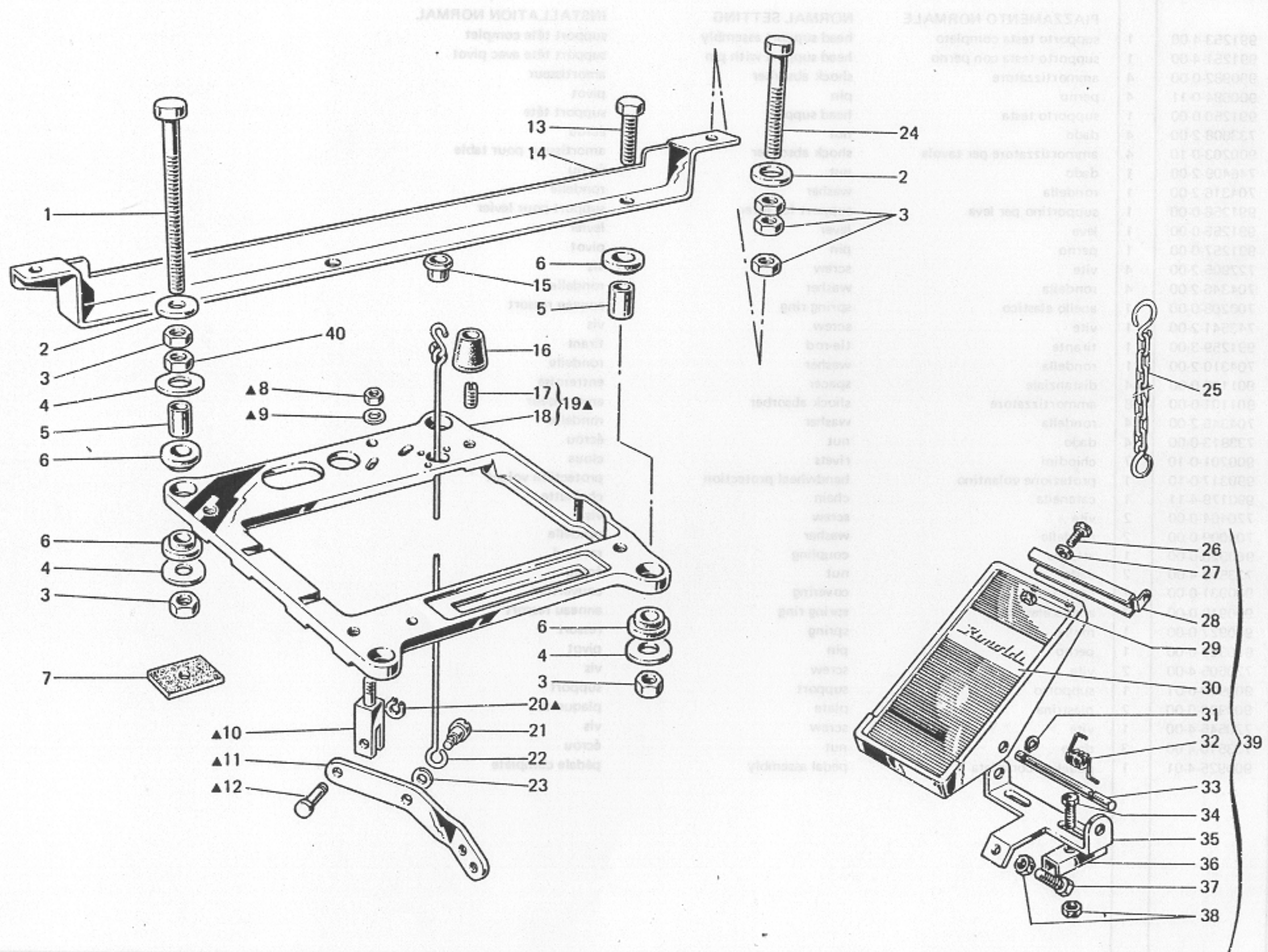
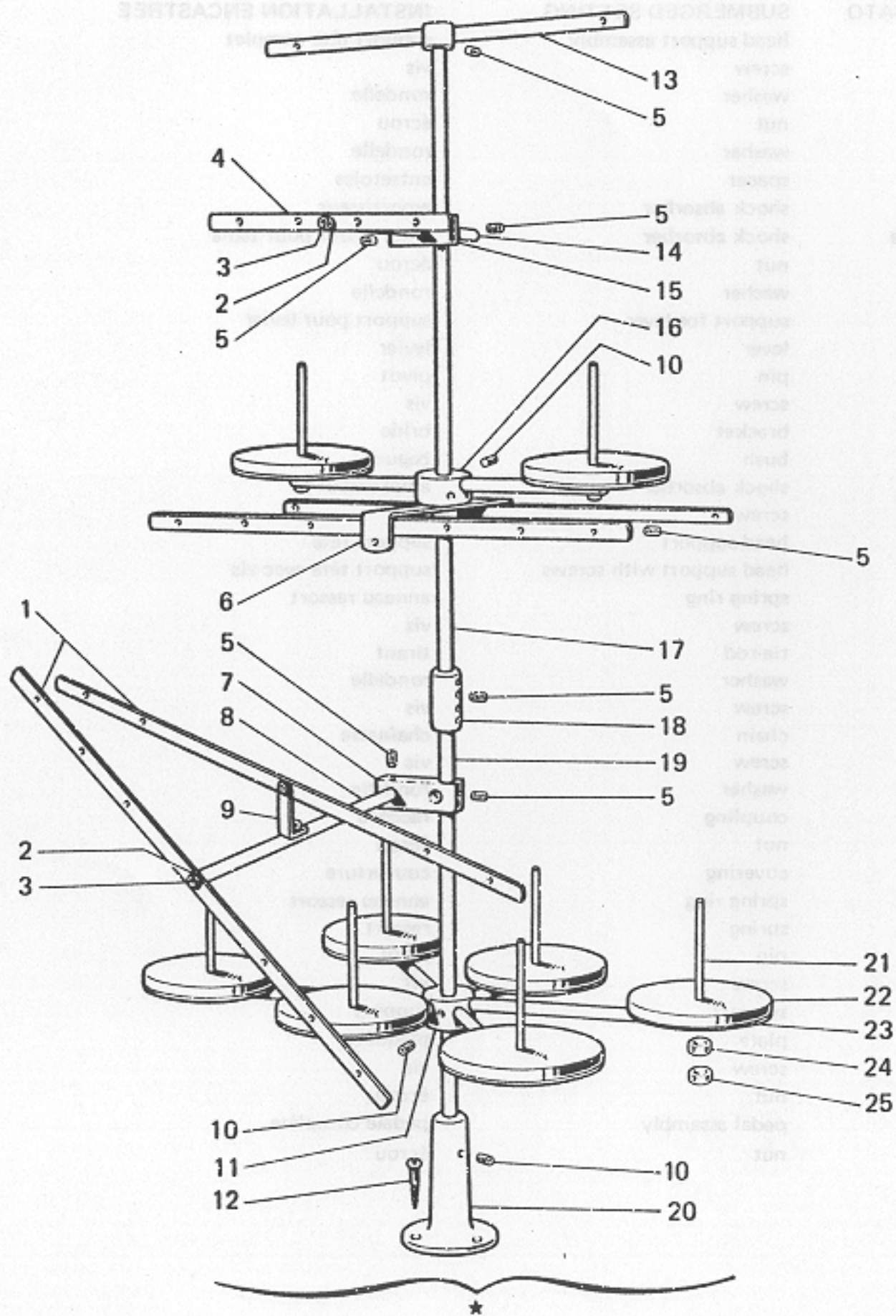


Fig. N. Abb. N.	Part. N. Bestell N. Piece N. Pieza N.	Qt. Anzahl	DESCRIZIONE	DESCRIPTION	DESCRIPTION	BENENNUNG	DESCRIPCION
▲	991254-4-00	1	PIAZZAMENTO INCASSATO	SUBMERGED SETTING	INSTALLATION ENCASTREE		
1	722920-2-00	2	supporto testa completo	head support assembly	support tête complet		
2	704346-2-00	4	vite	screw	vis		
3	704345-2-00	4	rondella	washer	rondelle		
4	733813-0-00	10	dado	nut	écrou		
5	704345-2-00	6	rondella	washer	rondelle		
6	901102-0-00	4	distanziale	spacer	entretoise		
7	901101-0-00	8	ammortizzatore	shock absorber	amortisseur		
8	900203-0-10	4	ammortizzatore per tavola	shock absorber	amortisseur pour table		
9	746409-2-00	1	dado	nut	écrou		
10	704316-2-00	1	rondella	washer	rondelle		
11	991256-0-00	1	supportino per leva	support for lever	support pour levier		
12	991255-0-00	1	leva	lever	levier		
13	991257-0-00	1	perno	pin	pivot		
14	720546-0-00	2	vite	screw	vis		
15	901251-2-00	1	staffa	bracket	bride		
16	900204-0-10	1	bussola	bush	bague		
17	990982-0-00	4	ammortizzatore	shock absorber	amortisseur		
18	901253-0-00	4	vite	screw	vis		
19	991250-0-00	1	supporto testa	head support	support tête		
20	991252-4-00	1	supporto testa con viti	head support with screws	support tête avec vis		
21	700208-0-00	1	anello elastico	spring ring	anneau ressort		
22	743541-2-00	1	vite	screw	vis		
23	991259-3-00	1	tirante	tie-rod	tirant		
24	704310-2-00	1	rondella	washer	rondelle		
25	722907-2-00	2	vite	screw	vis		
26	990179-4-11	1	catenella	chain	chaînette		
27	720464-0-00	2	vite	screw	vis		
28	704009-0-00	2	rondella	washer	rondelle		
29	900926-0-00	1	attacco	coupling	raccord		
30	733508-4-00	2	dado	nut	écrou		
31	900931-0-00	1	copertura	covering	couverture		
32	900918-0-00	2	anello elastico	spring ring	anneau ressort		
33	900927-0-00	1	molla	spring	ressort		
34	900928-0-00	1	perno	pin	pivot		
35	720505-4-00	2	vite	screw	vis		
36	900929-0-01	1	supporto	support	support		
37	900920-0-00	2	piastrina	plate	plaquette		
38	720545-4-00	1	vite	screw	vis		
39	733510-4-00	3	dado	nut	écrou		
40	900925-4-01	1	pedalina completa	pedal assembly	pédale complète		
	733008-2-00	4	dado	nut	écrou		



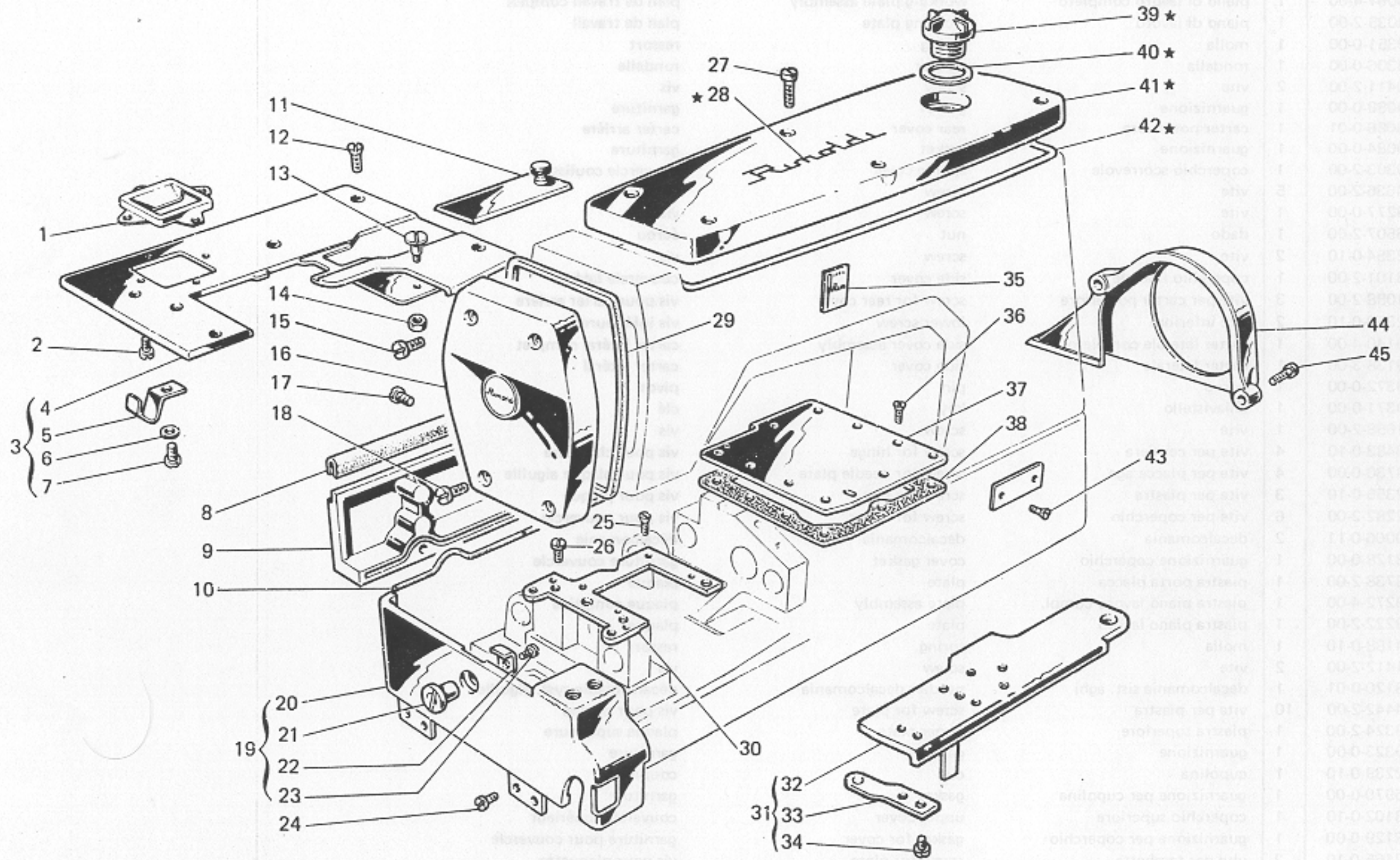


Fig. N. Abb. N.	Part. N. Pezce N. Bestell N. Pieza N.	Qt. Anzahl	DESCRIZIONE	DESCRIPTION	DESCRIPTION	BENENNUNG	DESCRIPCION
★	991160-5-00	1	porta bobine compl.(7-8 fili)	bobbin carrier ass. (7-8 threads)	porte bobine compl. (7-8 fils)		
1	991166-2-00	2	telaietto con bussole	frame with bushes	bâti avec bagues		
2	703005-0-00	4	rondella	washer	rondelle		
3	722431-2-00	4	vite	screw	vis		
4	991108-2-00	1	telaietto con bussole	frame with bushes	bâti avec bagues		
5	729034-2-00	10	vite	screw	vis		
6	991139-3-00	1	telaietto superiore compl.	upper frame assembly	bâti sup. complet		
7	991128-2-00	1	blocchetto con viti	block with screws	bloc avec vis		
8	991165-2-00	1	asta con rondella e vite	rod with washer and screw	tige avec rondelle et vis		
9	991107-2-00	1	squadretta con rondelle e viti	bracket with washers and screws	équerre avec rondelle et vis		
10	729054-2-00	5	vite	screw	vis		
11	991144-3-00	1	mozzo con aste e viti	hub with rod and screws	moyeu avec tiges et vis		
12	731107-2-00	3	vite da legno	screw	vis		
13	991101-3-00	1	telaietto superiore compl.	upper frame assembly	bâti sup. complet		
14	991162-2-00	1	asta	rod	tige		
15	991110-2-00	1	blocchetto con viti	block with screws	bloc avec vis		
16	991115-3-00	1	mozzo con aste e viti	hub with rod and screws	moyeu avec tiges et vis		
17	991113-0-00	1	asta principale	main rod	tige principale		
18	991163-2-00	1	giunto con viti	joint with screws	joint avec vis		
19	991168-0-00	1	asta sussidiaria	subsidiary rod	tige subsidiaire		
20	991114-2-00	1	basetta con vite	base with screw	base avec vis		
21	991111-2-00	8	astina con dadi	rod with nuts	tige avec écrous		
22	991179-0-00	8	disco	disc	disque		
23	991112-0-00	8	piatto	disc	plateau		
24	733508-2-00	8	dado	nut	écrou		
25	925433-0-00	8	dado	nut	écrou		

Q.T.	DESCRIZIONE	DESCRIPTION	DESCRIPTION	BEZEICHNUNG	DESCRIPTION	Part. N. Descr. N. Press. N.	Part. N. Descr. N. Press. N.	Part. N. Descr. N. Press. N.
1	porta bobine compl. 13-8 (III)	porta bobine compl. 13-8 (III)	porta bobine compl. 13-8 (III)	porta bobine compl. 13-8 (III)	porta bobine compl. 13-8 (III)	981100-00	981100-00	4
2	relais con bussole	frame with bushes	frame with bushes	relais con bussole	relais con bussole	981100-00	981100-00	1
1	tondella	washer	washer	tondella	tondella	981100-00	981100-00	2
1	vitte	screw	screw	vitte	vitte	981100-00	981100-00	3
1	relais con bussole	frame with bushes	frame with bushes	relais con bussole	relais con bussole	981100-00	981100-00	4
1	relais con bussole	frame with bushes	frame with bushes	relais con bussole	relais con bussole	981100-00	981100-00	5
1	relais con bussole	frame with bushes	frame with bushes	relais con bussole	relais con bussole	981100-00	981100-00	6
1	relais con bussole	frame with bushes	frame with bushes	relais con bussole	relais con bussole	981100-00	981100-00	7
1	relais con bussole	frame with bushes	frame with bushes	relais con bussole	relais con bussole	981100-00	981100-00	8
1	relais con bussole	frame with bushes	frame with bushes	relais con bussole	relais con bussole	981100-00	981100-00	9
1	relais con bussole	frame with bushes	frame with bushes	relais con bussole	relais con bussole	981100-00	981100-00	10
1	relais con bussole	frame with bushes	frame with bushes	relais con bussole	relais con bussole	981100-00	981100-00	11
1	relais con bussole	frame with bushes	frame with bushes	relais con bussole	relais con bussole	981100-00	981100-00	12
1	relais con bussole	frame with bushes	frame with bushes	relais con bussole	relais con bussole	981100-00	981100-00	13
1	relais con bussole	frame with bushes	frame with bushes	relais con bussole	relais con bussole	981100-00	981100-00	14
1	relais con bussole	frame with bushes	frame with bushes	relais con bussole	relais con bussole	981100-00	981100-00	15
1	relais con bussole	frame with bushes	frame with bushes	relais con bussole	relais con bussole	981100-00	981100-00	16
1	relais con bussole	frame with bushes	frame with bushes	relais con bussole	relais con bussole	981100-00	981100-00	17
1	relais con bussole	frame with bushes	frame with bushes	relais con bussole	relais con bussole	981100-00	981100-00	18
1	relais con bussole	frame with bushes	frame with bushes	relais con bussole	relais con bussole	981100-00	981100-00	19
1	relais con bussole	frame with bushes	frame with bushes	relais con bussole	relais con bussole	981100-00	981100-00	20
1	relais con bussole	frame with bushes	frame with bushes	relais con bussole	relais con bussole	981100-00	981100-00	21
1	relais con bussole	frame with bushes	frame with bushes	relais con bussole	relais con bussole	981100-00	981100-00	22
1	relais con bussole	frame with bushes	frame with bushes	relais con bussole	relais con bussole	981100-00	981100-00	23
1	relais con bussole	frame with bushes	frame with bushes	relais con bussole	relais con bussole	981100-00	981100-00	24
1	relais con bussole	frame with bushes	frame with bushes	relais con bussole	relais con bussole	981100-00	981100-00	25
1	relais con bussole	frame with bushes	frame with bushes	relais con bussole	relais con bussole	981100-00	981100-00	26

VARIANTE PER

VARIATION FOR

VARIANTE POUR

264-11-4EL-10

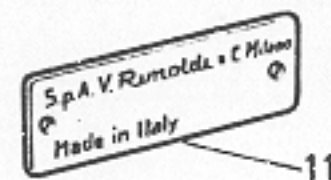
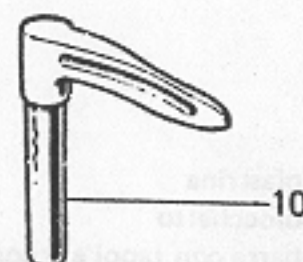
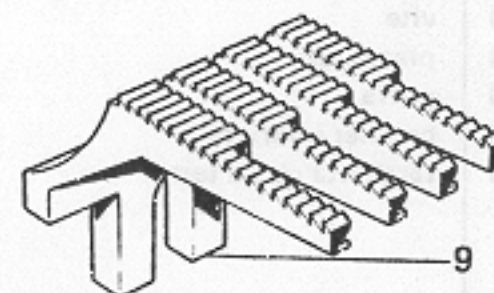
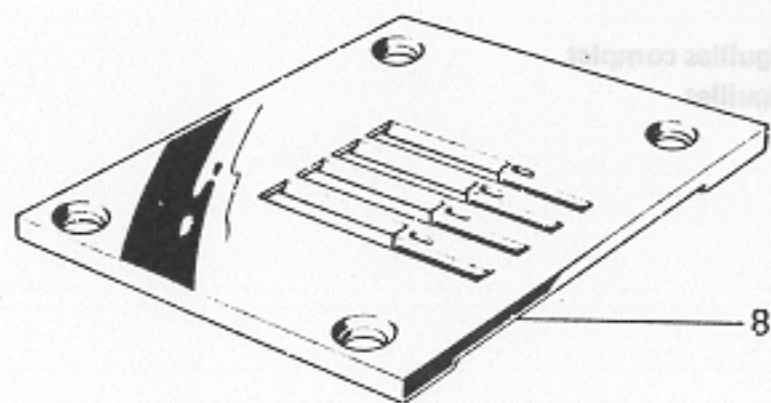
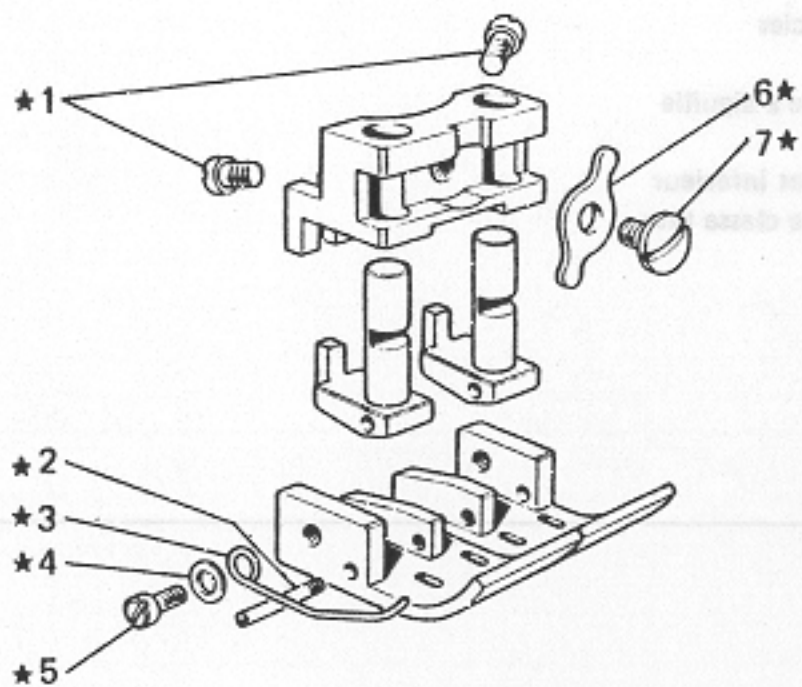


Fig. N. Abb. N.	Part. N. Piece N. Bestell N. Pieza N.	Qt. Anzahl	DESCRIZIONE	DESCRIPTION	DESCRIPTION	BENENNUNG	DESCRIPCION
★	306673-3-00	1	piedino completo	presserfoot assembly	pied-presseur complet		
1	742010-2-00	2	vite	screw	vis		
2	300120-0-10	2	spina filettata	pin	goupille		
3	990809-0-00	2	salvadita	protection	protection		
4	704206-2-00	2	rondella	washer	rondelle		
5	741711-2-00	2	vite	screw	vis		
6	304222-0-11	1	bilanciere	compensator	balancier		
7	304221-0-11	1	vite	screw	vis		
8	304199-0-11	1	placca ago	needle palte	plaque à aiguille		
9	304161-0-10	1	griffa	feed dog	griffe		
10	304186-0-11	4	crochet inferiore	lower looper	crochet inférieur		
11	785389-0-20	1	targhetta classe testa	head class plate	plaque classe tête		
	<u>Tav. 7</u>						
2	304174-0-10	1	piastrina	plate	plaque		
21	304191-0-10	1	blocchetto	block	bloc		
22	304180-3-10	1	barra con tappi e stoppini	bar with plugs and wicks	barre avec bouchons et mèches		
	<u>Tav. 9</u>						
▲	304148-4-10	1	morsetto porta aghi compl.	needles clamp assembly	porte-aiguilles complet		
26	304147-0-10	1	morsetto porta aghi	needles clamp	porte-aiguilles		
42	304245-0-10	1	passafilo	thread guide	passé-fil		

DESCRIPTION

BENENNUNG

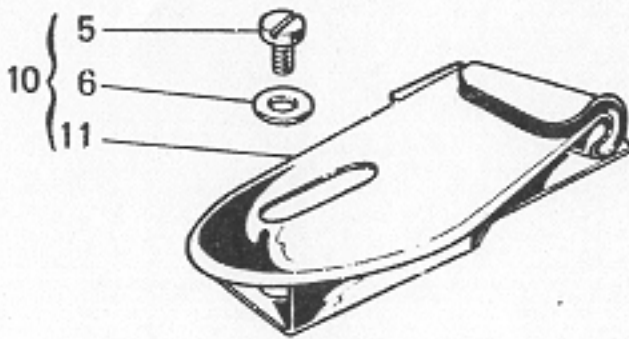
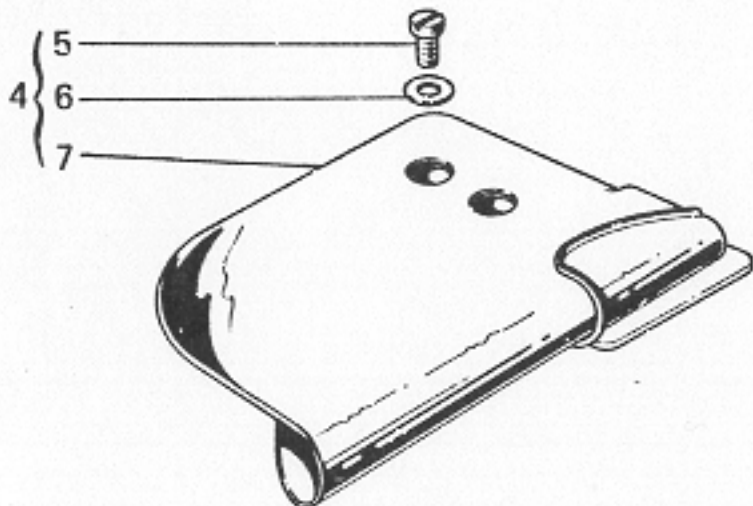
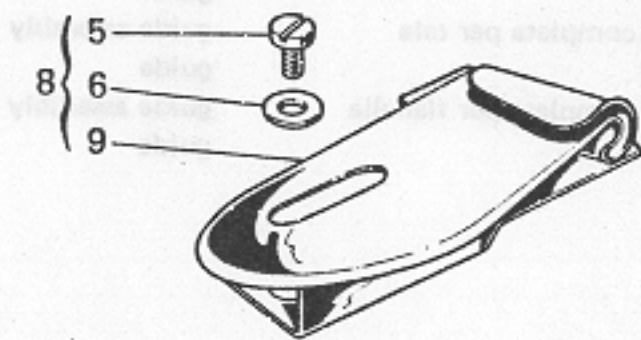
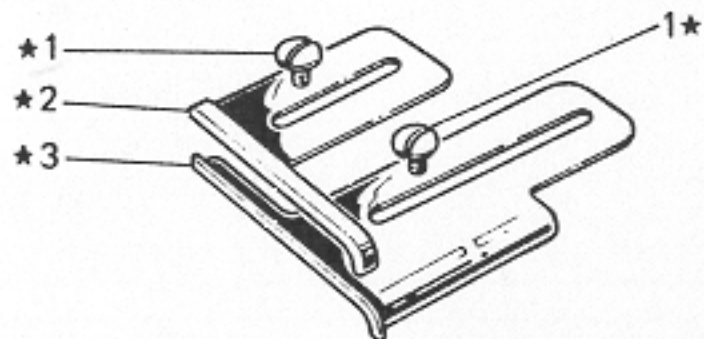
DESCRIPTION

DESCRIPTION

SOLO A RICHIESTA

ONLY ON REQUEST

SEULEMENT SUR DEMANDE



guide complet
vis
guide droite
guide gauche
guide complet
vis
 rondelle
guide
guide complet
guide
guide complet
guide

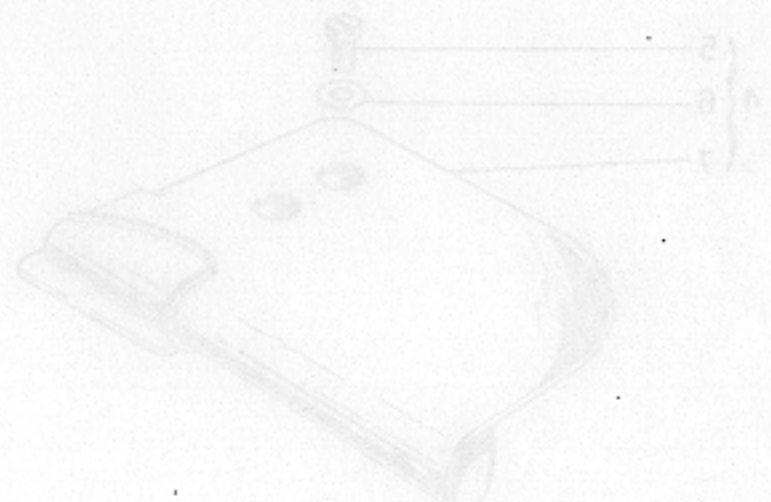
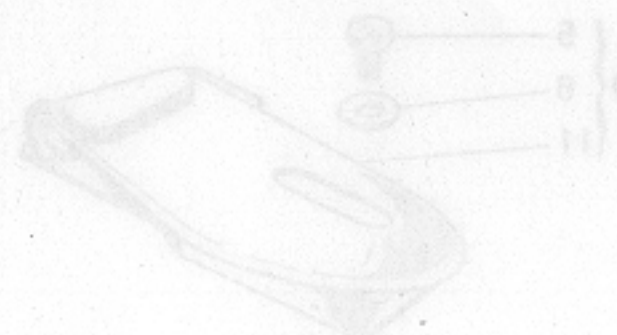
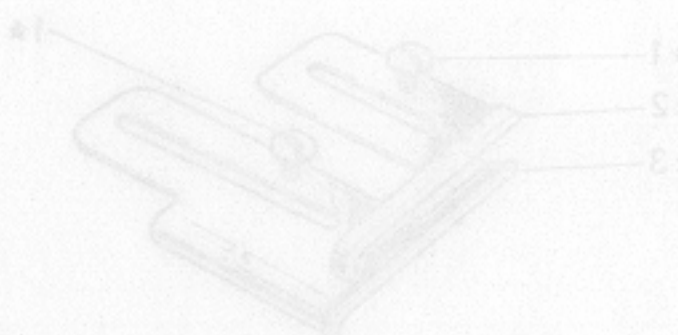
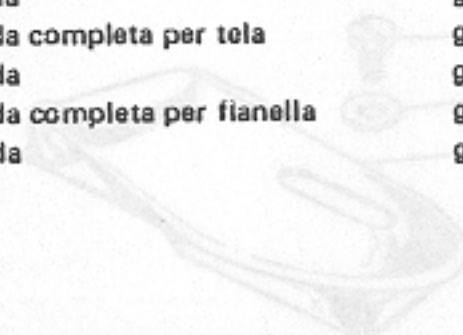
guide complet
vis
right guide
left guide
guide complet
vis
 rondelle
guide
guide complet
vis
guide complet
guide

guide complet
vis
guide droite
guide gauche
guide complet
vis
 rondelle
guide
guide complet
vis
guide complet
guide

30432-4-10
30380-0-10
30434-3-10
30432-0-10
310110-4-00
34333-2-00
30434-2-00
30380-0-00
310130-4-00
30434-0-11
310131-0-00
30434-0-11

4
1
2
3
4
5
6
7
8
9
10
11

Fig. N. Abb. N.	Part. N. Piece N. Bestell. N. Pieza N.	Qt. Anzahl	DESCRIZIONE	DESCRIPTION	DESCRIPTION	BENENNUNG	DESCRIPCION
			SOLO A RICHIESTA	ONLY ON REQUEST	SEULEMENT SUR DEMANDE		
★	304342-4-10	1	guida completa	guide assembly	guide complet		
1	203589-0-10	4	vite	screw	vis		
2	304344-2-10	1	guida destra	right guide	guide droite		
3	304345-0-10	1	guida sinistra	left guide	guide gauche		
4	310119-4-00	1	guida completa per tela	guide assembly	guide complet		
5	742232-2-00	6	vite	screw	vis		
6	704424-2-00	6	rondella	washer	rondelle		
7	305900-0-00	1	guida	guide	guide		
8	310130-4-00	1	guida completa per tela	guide assembly	guide complet		
9	304340-0-11	1	guida	guide	guide		
10	310131-4-00	1	guida completa per fianella	guide assembly	guide complet		
11	304341-0-11	1	guida	guide	guide		

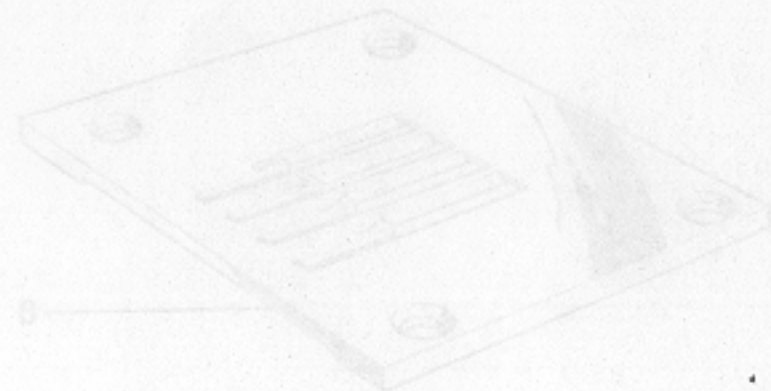
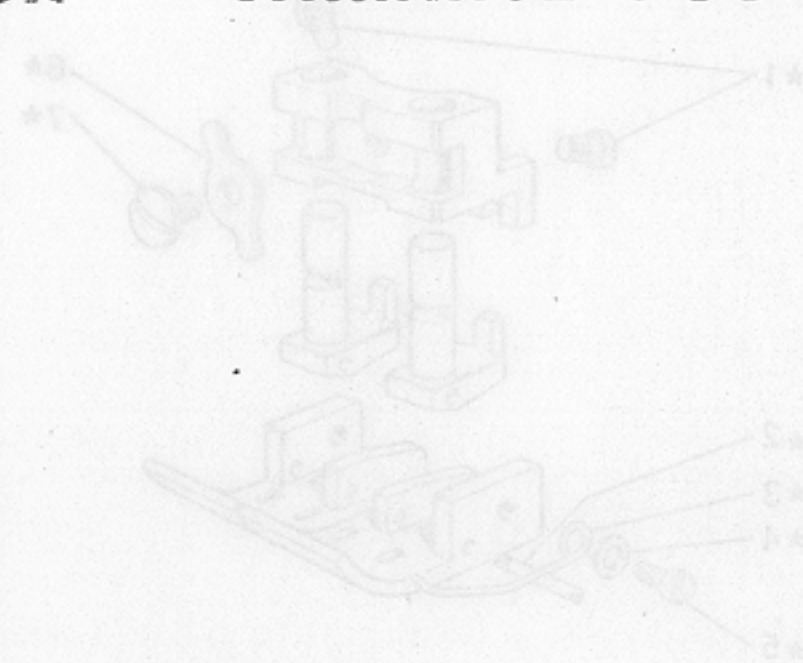


VARIANTE PER

VARIATION FOR

VARIANTE POUR

264-11-4EL-11



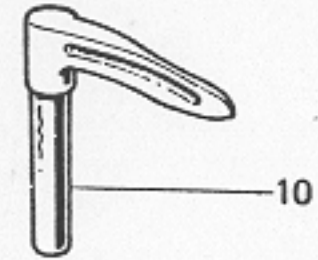
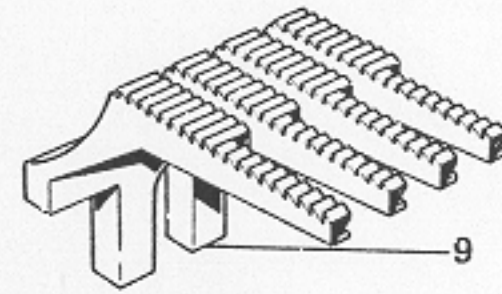
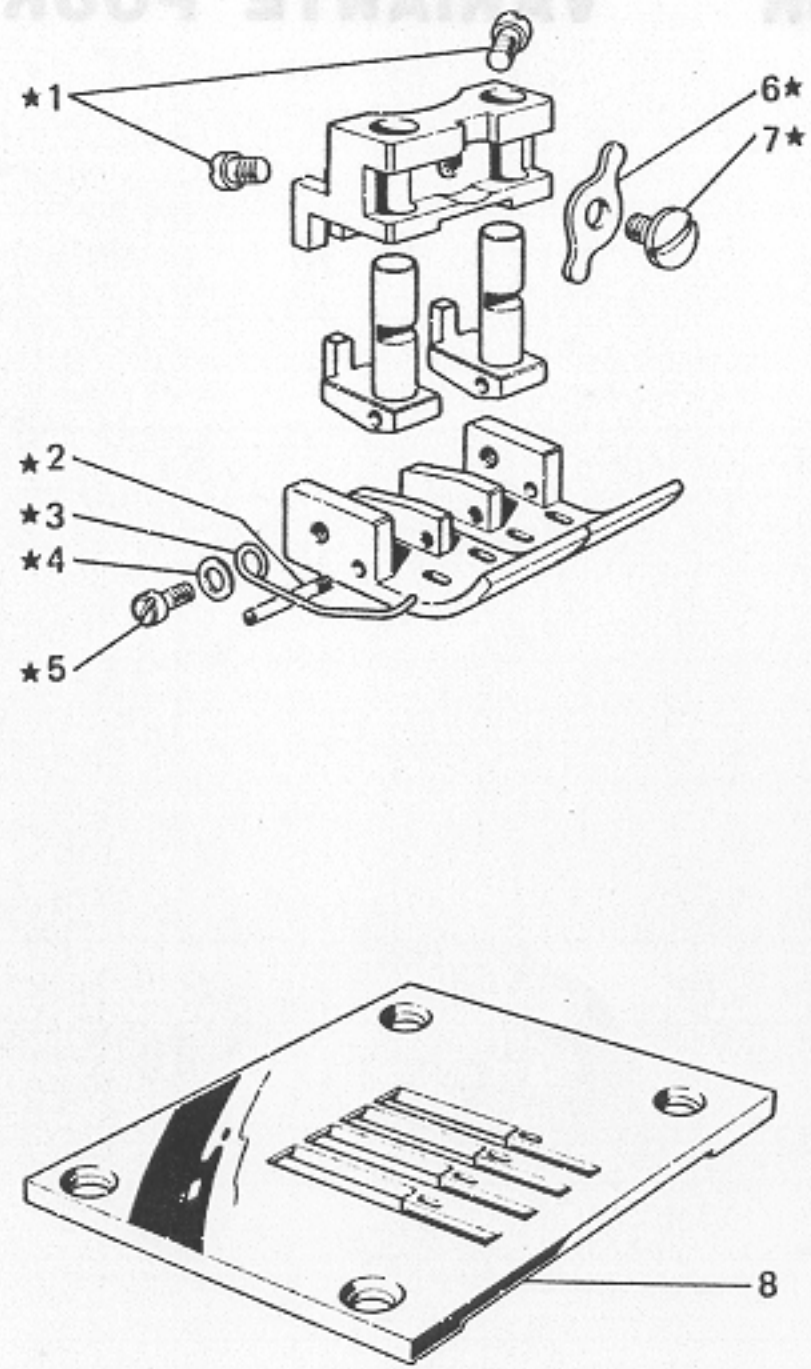


Fig. N. Abb. N.	Part. N. Piece N. Bestell N. Pieza N.	Qt. Anzahl	DESCRIZIONE	DESCRIPTION	DESCRIPTION	BENENNUNG	DESCRIPCION
★	306674-3-00	1	piedino completo	presserfoot assembly	pied-presseur complet		
1	742010-2-00	2	vite	screw	vis		
2	300120-0-10	2	spina filettata	pin	goupille		
3	990809-0-00	2	salvadita	protection	protection		
4	704206-2-00	2	rondella	washer	rondelle		
5	741711-2-00	2	vite	screw	vis		
6	304222-0-11	1	bilanciere	compensator	balancier		
7	304221-0-11	1	vite	screw	vis		
8	304200-0-11	1	placca ago	needle plate	plaque à aiguille		
9	304162-0-10	1	griffa	feed dog	griffe		
10	304186-0-11	4	crochet inferiore	lower looper	crochet inférieur		
11	785390-0-20	1	targhetta classe testa	head class plate	plaque classe tête		
			SOLO A RICHIESTA	ONLY ON REQUEST	SEULEMENT SUR DEMANDE		
8	304360-0-00	1	placca ago	needle plate	plaque à aiguille		
	<u>Tav. 7</u>						
2	304175-0-10	1	piastrina	plate	plaque		
21	304192-0-10	1	blocchetto	block	bloc		
22	304182-3-10	1	barra con tappi e stoppini	bar with plugs and wicks	barre avec bouchons et mèches		
	<u>Tav. 9</u>						
▲	304150-4-10	1	morsetto porta aghi completo	needles clamp assembly	porte-aiguilles complet		
26	304149-0-10	1	morsetto porta aghi	needles clamp	porte-aiguilles		
42	304246-0-10	1	passafilo	thread guide	passé-fil		

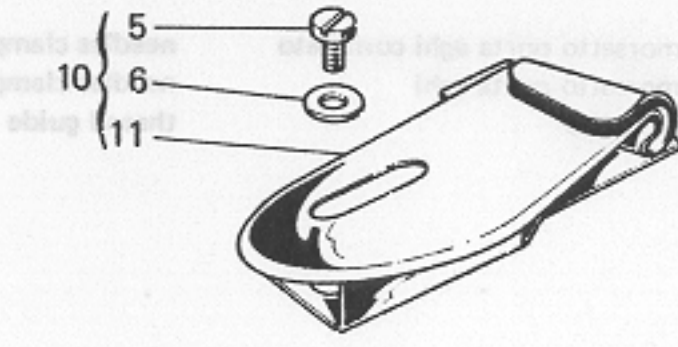
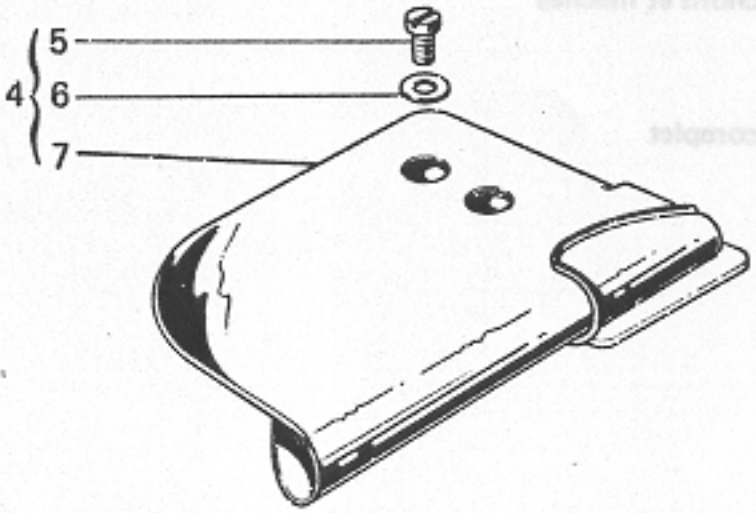
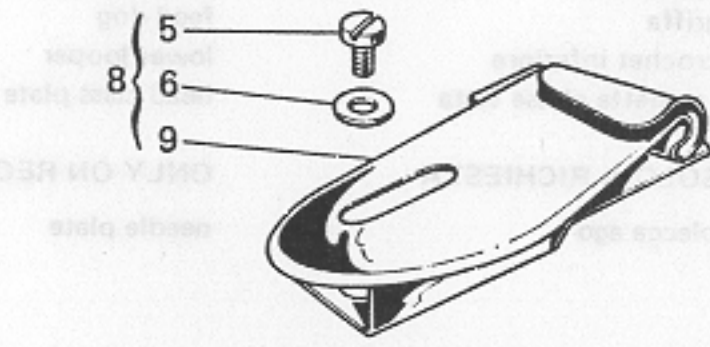
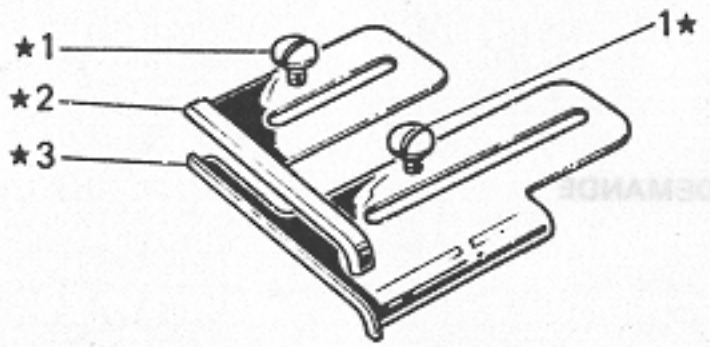


Fig. N. Abb. N.	Part. N. Piece N. Bestell N. Pieza N.	Qt. Anzahl	DESCRIZIONE	DESCRIPTION	DESCRIPTION	BENENNUNG	DESCRIPCION
★	308103-4-10	1	coperchio sup. completo	upper cover assembly	couvercle sup. complet		
1	309081-0-10	1	carterino	cover	carter		
2	741520-2-00	4	vite	screw	vis		
3	309061-4-00	1	piano di lavoro completo	working plate assembly	plan de travail complet		
4	309035-2-00	1	piano di lavoro	working plate	plan de travail		
5	309351-0-00	1	molla	spring	ressort		
6	704306-0-00	1	rondella	washer	rondelle		
7	720411-2-00	2	vite	screw	vis		
8	309088-0-00	1	guarnizione	gasket	garniture		
9	309086-0-01	1	carter posteriore	rear cover	carter arrière		
10	309084-0-00	1	guarnizione	gasket	garniture		
11	309303-2-00	1	coperchio scorrevole	sliding cover	couvercle coulissant		
12	744636-2-00	5	vite	screw	vis		
13	309277-0-00	1	vite	screw	vis		
14	733507-2-00	1	dado	nut	écrou		
15	302354-0-10	2	vite	screw	vis		
16	308101-2-00	1	coperchio laterale	side cover	couvercle latéral		
17	741088-2-00	3	vite per carter posteriore	screw for rear cover	vis pour carter arrière		
18	302353-0-10	2	vite inferiore	lower screw	vis inférieure		
19	309140-4-00	1	carter laterale completo	side cover assembly	carter latéral complet		
20	309138-3-00	1	carter laterale	side cover	carter latéral		
21	309372-0-00	1	perno	pin	pivot		
22	309371-0-00	1	chiavistello	key	clé		
23	741658-2-00	1	vite	screw	vis		
24	300483-0-10	4	vite per cerniera	screw for hinge	vis pour charnière		
25	744730-0-00	4	vite per placca ago	screw for needle plate	vis pour plaque aiguille		
26	302355-0-10	3	vite per piastra	screw for plate	vis pour plaque		
27	742282-2-00	6	vite per coperchio	screw for cover	vis pour couvercle		
28	300006-0-11	2	decalcomania	decalcomania	décalcomanie		
29	308128-0-00	1	guarnizione coperchio	cover gasket	garniture couvercle		
30	308738-2-00	1	piastra porta placca	plate	plaque		
31	309272-4-00	1	piastra piano lavoro compl.	plate assembly	plaque complète		
32	309222-2-00	1	piastra piano lavoro	plate	plaque		
33	204188-0-10	1	molla	spring	ressort		
34	721412-2-00	2	vite	screw	vis		
35	788120-0-01	1	decalcomania sist. aghi	needles decalcomania	décalcomanie syst. aiguille		
36	724442-2-00	10	vite per piastra	screw for plate	vis pour plaque		
37	309324-2-00	1	piastra superiore	upper plate	plaque supérieure		
38	309323-0-00	1	guarnizione	gasket	garniture		
39	202239-0-10	1	cupolina	cup	coupole		
40	705970-0-00	1	guarnizione per cupolina	gasket	garniture		
41	308102-0-10	1	coperchio superiore	upper cover	couvercle supérieur		
42	308129-0-00	1	guarnizione per coperchio	gasket for cover	garniture pour couvercle		
43	202165-0-10	2	vite per targhetta	screw for plate	vis pour plaquette		
44	308462-0-00	1	copringhia per volantino Ø 85	belt cover for handwheel Ø 85	couvre-courroie pour volant Ø 85		
45	721475-2-00	2	vite	screw	vis		

Fig. N. Abb. N.	Part. N. Piece N. Bestell N. Pieza N.	Qt. Anzahl	DESCRIZIONE	DESCRIPTION	DESCRIPTION	BENENNUNG	DESCRIPCION
			SOLO A RICHIESTA	ONLY ON REQUEST	SEULEMENT SUR DEMANDE		
★	304342-4-10	1	guida completa	guide assembly	guide complet		
1	203589-0-10	4	vite	screw	vis		
2	304344-2-10	1	guida destra	right guide	guide droite		
3	304345-0-10	1	guida sinistra	left guide	guide gauche		
4	310121-4-00	1	guida completa per tela	guide assembly	guide complet		
5	742232-2-00	6	vite	screw	vis		
6	704424-2-00	6	rondella	washer	rondelle		
7	305903-0-00	1	guida	guide	guide		
8	310130-4-00	1	guida completa per tela	guide assembly	guide complet		
9	304340-0-11	1	guida	guide	guide		
10	310131-4-00	1	guida completa per flanella	guide assembly	guide complet		
11	304341-0-11	1	guida	guide	guide		

DESCRIPTION	BENENNUNG	DESCRIPTION	DESCRIPTION	DESCRIZIONE	QTY	Part. N. Part. N. Part. N. Part. N.	Part. N. Part. N. Part. N. Part. N.
		SEULEMENT SUR DEMANDE	ONLY ON REQUEST	SOLO A RICHIESTA			
		guide complete	guide assembly	guide complete	1	201345-4-10	4
		de	spring	vitte	4	201388-8-10	7
		guide droite	right guide	guide droite	1	201344-2-10	3
		guide gauche	left guide	guide sinistra	1	201345-0-10	3
			guide complete	guide complete	1	210121-4-10	4
					1	201332-2-00	5
		roullette	washer	roullette	8	104134-2-00	8
		guide	guide	guide	1	201303-0-00	7
		guide complete	guide assembly	guide complete per tela	1	210130-4-00	8
		guide	guide	guide	1	201340-0-11	9
		complete	guide assembly	guide complete per roulette	1	210131-4-10	10
			guide	guide	1	201341-0-11	11

VARIANTE PER

VARIATION FOR

VARIANTE POUR

264-11-4EL-12

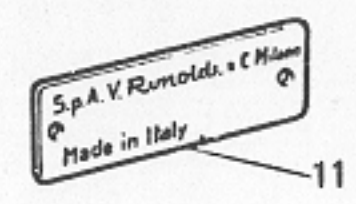
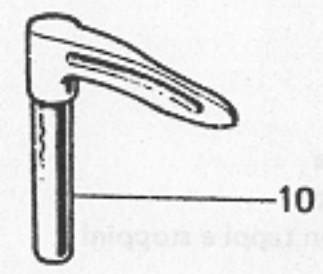
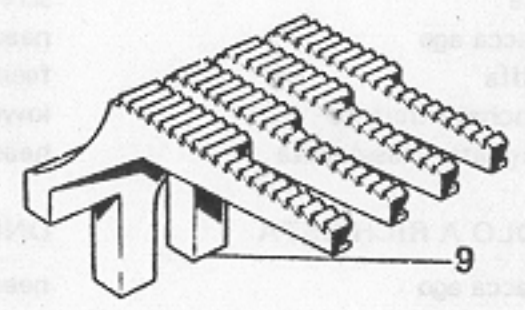
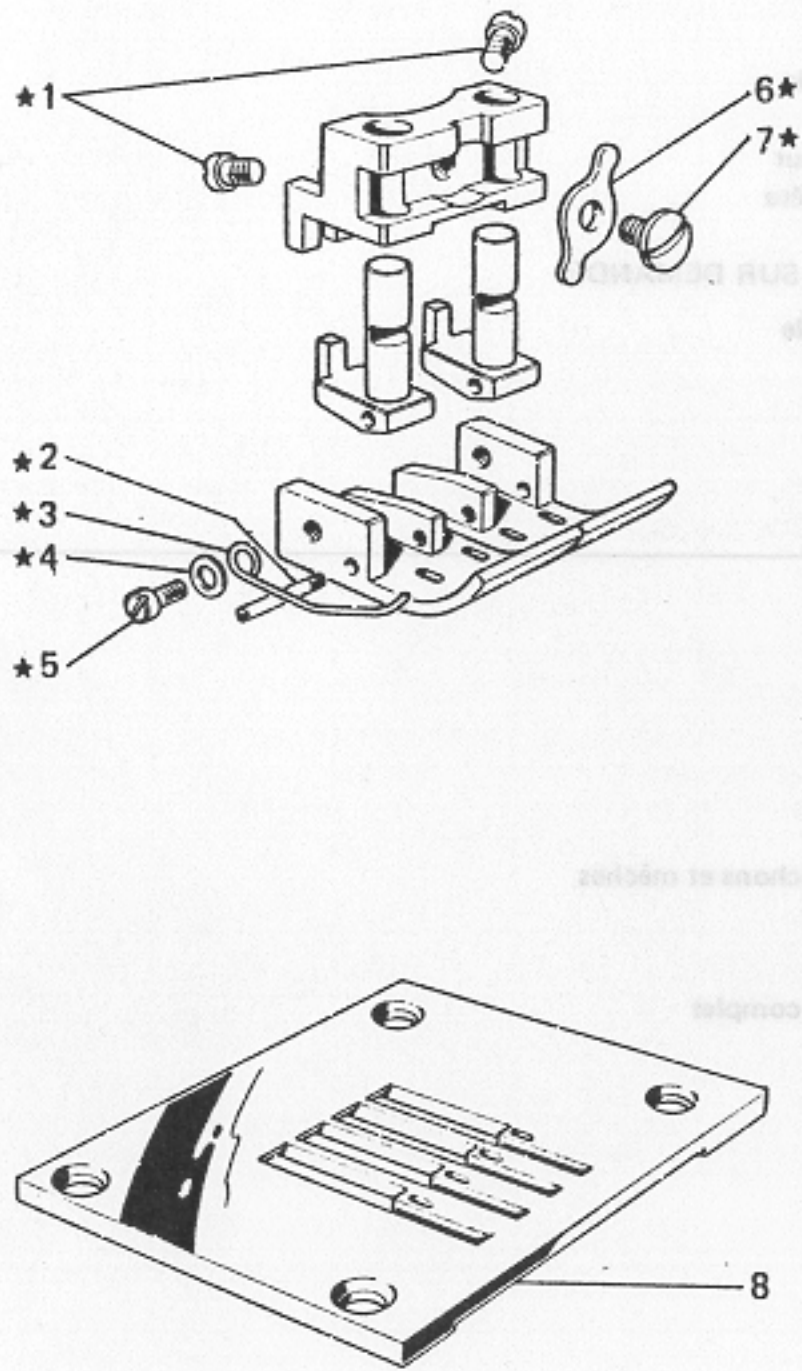


Fig. N. Abb. N.	Part. N. Piece N. Bestell N. Pieza N.	Qt. Anzahi	DESCRIZIONE	DESCRIPTION	DESCRIPTION	BENENNUNG	DESCRIPCION
★	306675-3-00	1	piedino completo	presserfoot assembly	pied-presseur complet		
1	742010-2-00	2	vite	screw	vis		
2	300120-0-10	2	spina filettata	pin	goupille		
3	990809-0-00	2	salvadita	protection	protection		
4	704206-2-00	2	rondella	washer	rondelle		
5	741711-2-00	2	vite	screw	vis		
6	304222-0-11	1	bilanciere	compensator	balancier		
7	304221-0-11	1	vite	screw	vis		
8	304201-0-11	1	placca ago	needle plate	plaque à aiguille		
9	304163-0-10	1	griffa	feed dog	griffe		
10	304186-0-11	4	crochet inferiore	lower looper	crochet inférieur		
11	785391-0-20	1	targhetta classe testa	head class plate	plaque classe tête		
			SOLO A RICHIESTA	ONLY ON REQUEST	SEULEMENT SUR DEMANDE		
8	304361-0-00	1	placca ago	needle plate	plaque à aiguille		
	<u>Tav. 7</u>						
2	304176-0-10	1	piastrina	plate	plaque		
21	304193-0-10	1	blocchetto	block	bloc		
22	304184-3-10	1	barra con tappi e stoppini	bar with plugs and wicks	barre avec bouchons et mèches		
	<u>Tav. 9</u>						
▲	304152-4-10	1	morsetto porta aghi compl.	needles clamp assembly	porte-aiguilles complet		
26	304151-0-10	1	morsetto porta aghi	needles clamp	porte-aiguilles		
42	304247-0-10	1	passafilo	thread guide	passe-fil		

DESCRIZIONE

BEZWEIUNG

DESCRIPTION

DESCRIPTION

DESCRIZIONE

Part. N.
Descr. N.
Part. N.

SEULIEMENT SUR DEMANDE

ONLY ON REQUEST

SOLO A RICHIESTA

guide complet
vis
guide droite
guide gauche
guide complet
vis
rouloteau
guide
guide complet
guide
guide complet
guide

guide assembly
vis
right guide
left guide
guide rollers
guide complete set
vis
roller
rouloteau
guide
guide complete set
vis
guide
guide assembly
guide

guide completa
vite
guida destra
guida sinistra
guida completa per
vite
vite
rotella
guida
guida completa per
vite
guida
guida completa per
vite
guida
guida completa per
vite
guida

304323-2-10 *
303289-8-10 1
304344-10-10 2
304342-0-10 3
304342-0-10 3
310113-4-00 4
343223-2-00 8
304342-2-00 8
308803-0-00 7
310120-4-00 8
304340-0-11 8
310121-4-00 10
304341-0-11 11

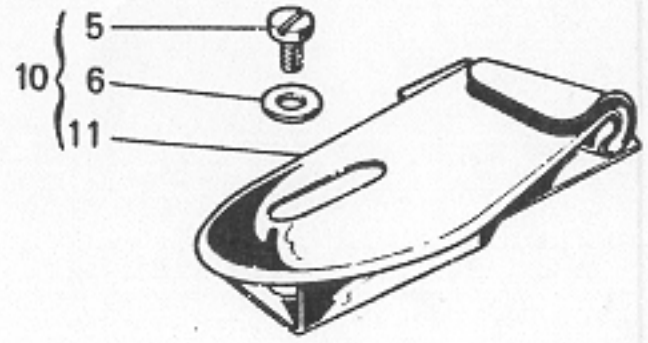
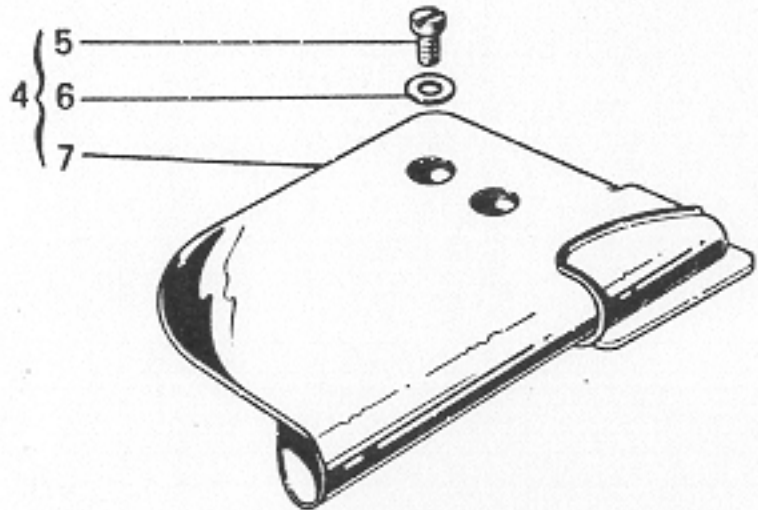
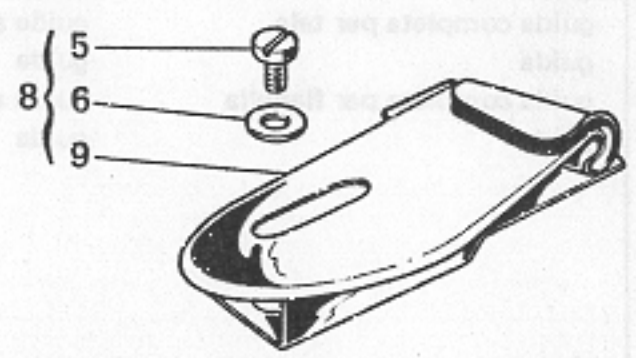
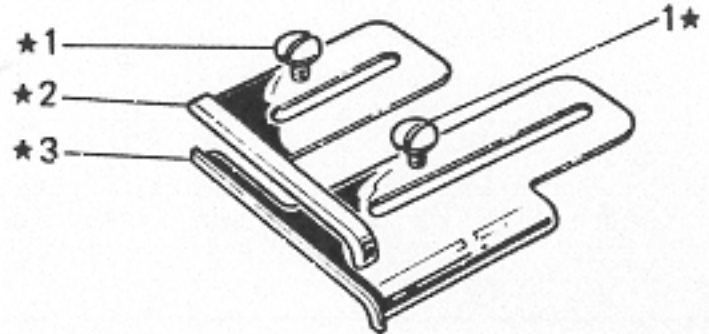


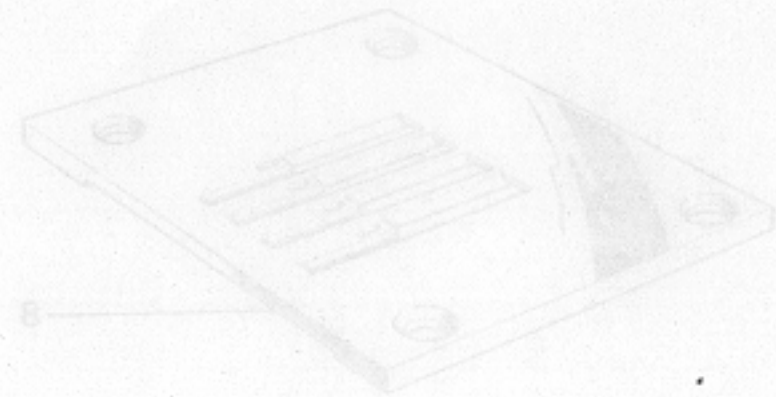
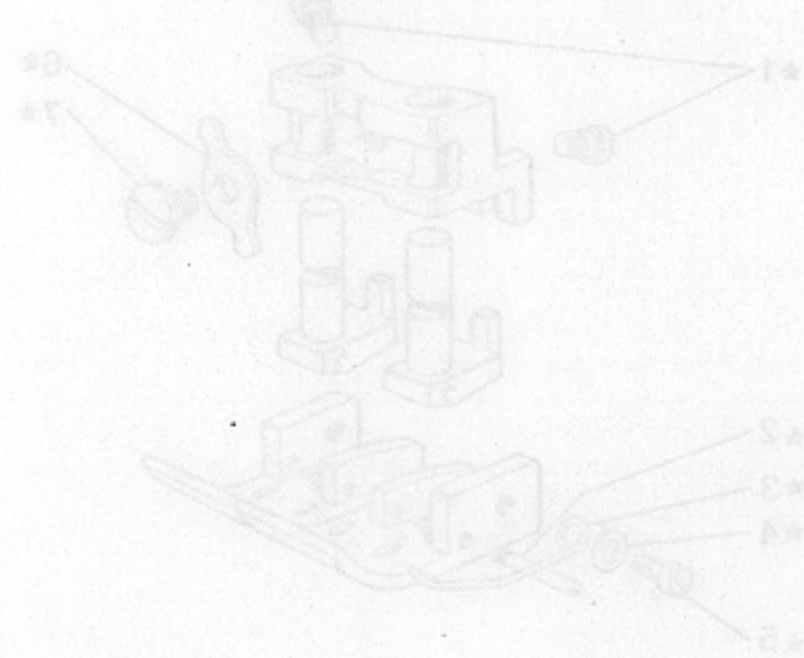
Fig. N. Abb. N.	Part. N. Piece N. Bestell N. Pieza N.	Ct. Anzahl	DESCRIZIONE	DESCRIPTION	DESCRIPTION	BENENNUNG	DESCRIPCION
			SOLO A RICHIESTA	ONLY ON REQUEST	SEULEMENT SUR DEMANDE		
★	304342-4-10	1	guida completa	guide assembly	guide complet		
1	203589-8-10	4	vite	screw	vis		
2	304344-2-10	1	guida destra	right guide	guide droite		
3	304345-0-10	1	guida sinistra	left guide	guide gauche		
4	310123-4-00	1	guida completa per tela	guide assembly	guide complet		
5	742232-2-00	6	vite	screw	vis		
6	704424-2-00	6	rondella	washer	rondelle		
7	305906-0-00	1	guida	guide	guide		
8	310130-4-00	1	guida completa per tela	guide assembly	guide complet		
9	304340-0-11	1	guida	guide	guide		
10	310131-4-00	1	guida completa per flanella	guide assembly	guide complet		
11	304341-0-11	1	guida	guide	guide		

VARIANTE PER

VARIATION FOR

VARIANTE POUR

264-11-4EL-15



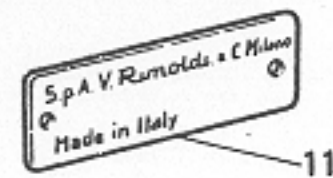
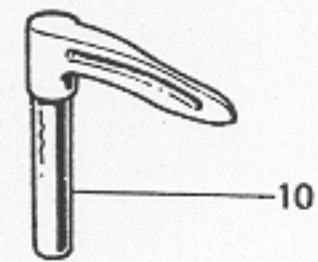
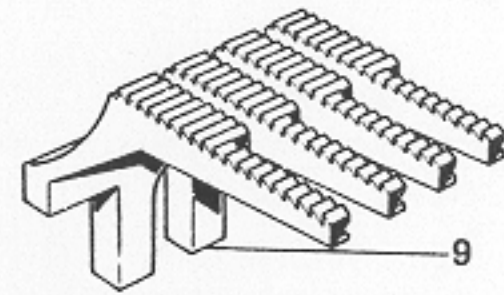
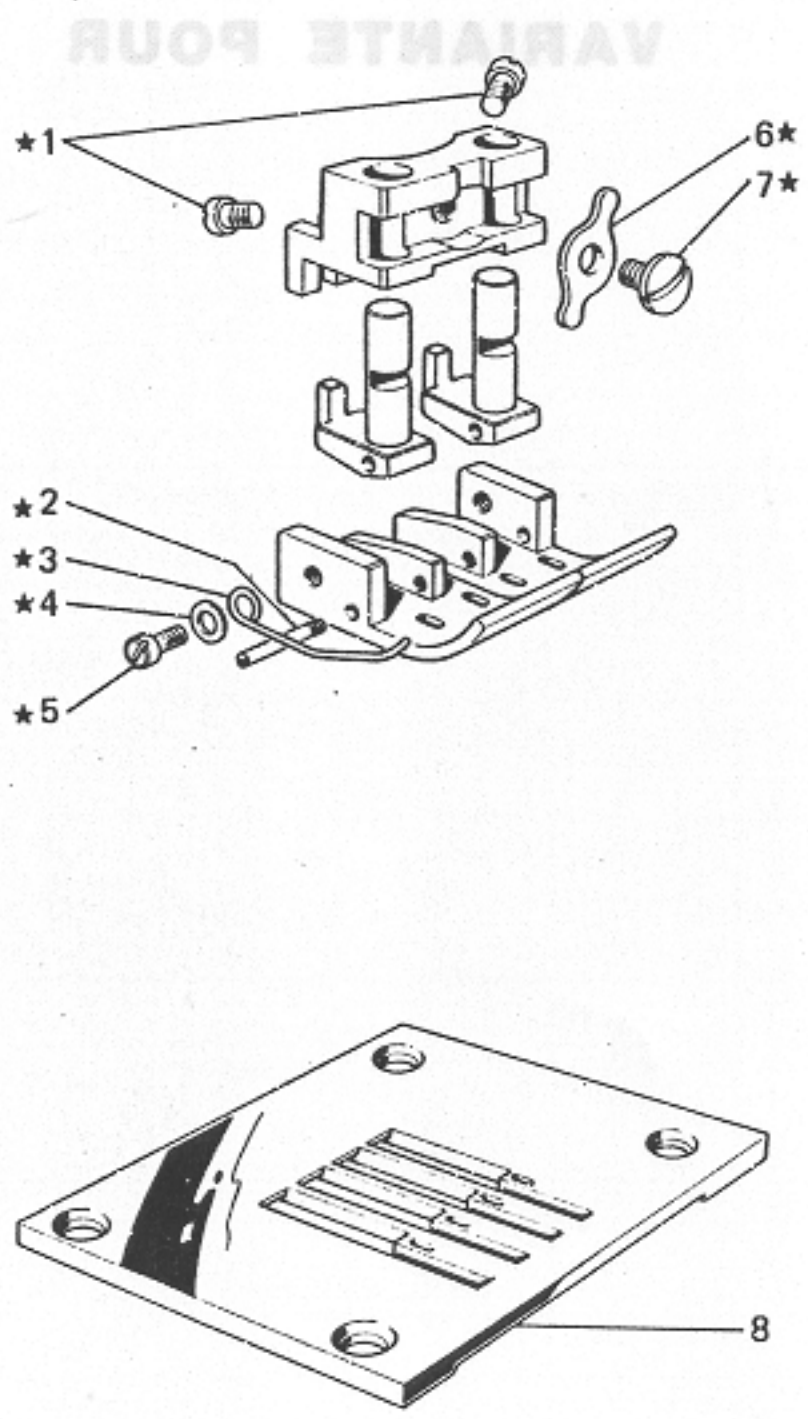
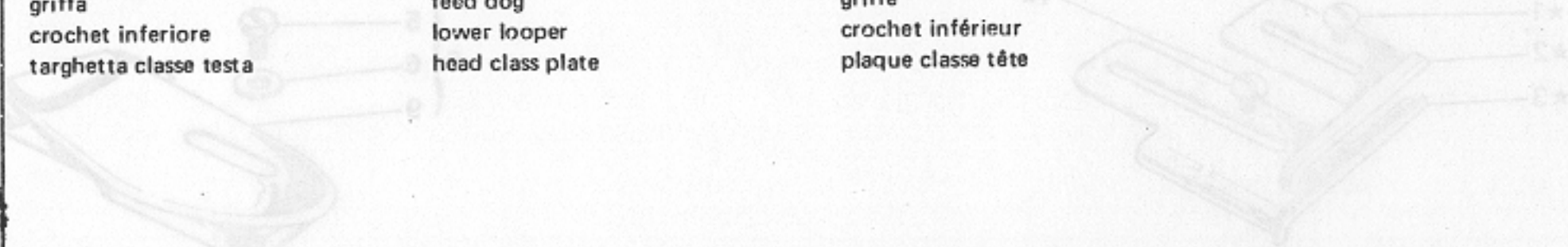
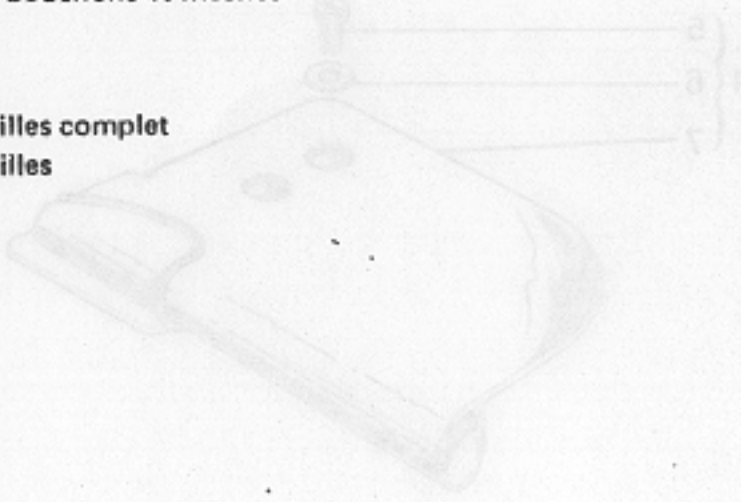
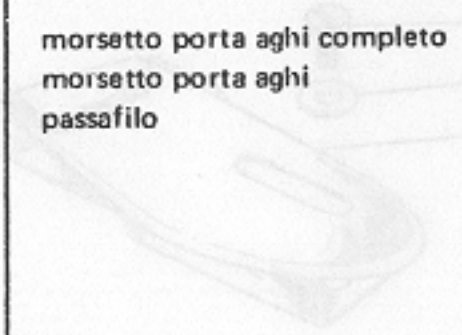
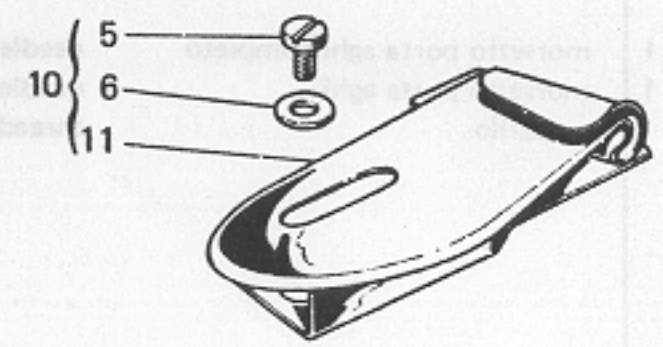
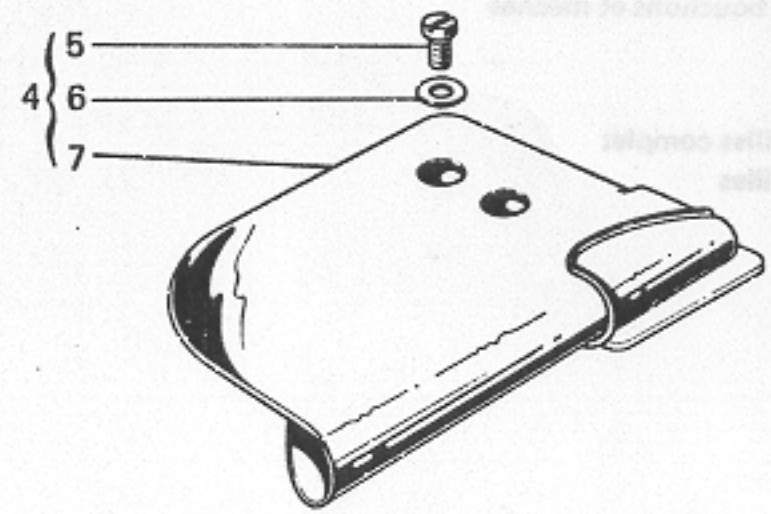
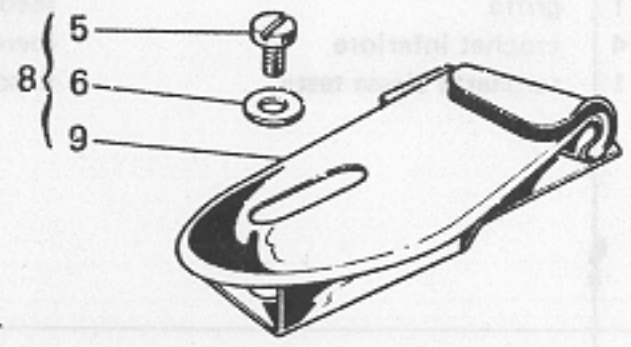
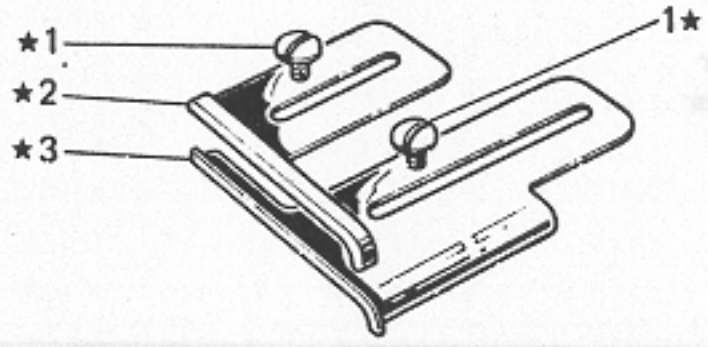


Fig. N. Abb. N.	Part. N. Bestell N. Piece N. Pieza N.	Qt. Anzahl	DESCRIZIONE	DESCRIPTION	DESCRIPTION	BENENNUNG	DESCRIPCION
★	306088-3-10	1	pedino completo	presserfoot assembly	ped-presseur complet		
1	742010-2-00	2	vite	screw	vis		
2	300120-0-10	2	spina filettata	pin	goupille		
3	990809-0-00	2	salvadita	protection	protection		
4	704206-2-00	2	rondella	washer	rondelle		
5	741711-2-00	2	vite	screw	vis		
6	304222-0-11	1	bilanciere	compensator	balancier		
7	304221-0-11	1	vite	screw	vis		
8	306087-0-11	1	placca ago	needle plate	plaque à aiguille		
9	306082-0-10	1	griffa	feed dog	griffe		
10	304186-0-11	4	crochet inferiore	lower looper	crochet inférieur		
11	785394-0-20	1	targhetta classe testa	head class plate	plaque classe tête		
							
	<u>Tav. 7</u>						
2	306083-0-10	1	piastrina	plate	plaque		
21	306086-0-10	1	blocchetto	block	bloc		
22	306085-3-10	1	barra con tappi e stoppini	bar with plugs and wicks	barre avec bouchons et mèches		
							
	<u>Tav. 9</u>						
▲	306081-4-10	1	morsetto porta aghi completo	needles clamp assembly	porte-aiguilles complet		
26	306080-0-10	1	morsetto porta aghi	needles clamp	porte-aiguilles		
42	306091-0-10	1	passafilo	thread guide	passer-fil		
							



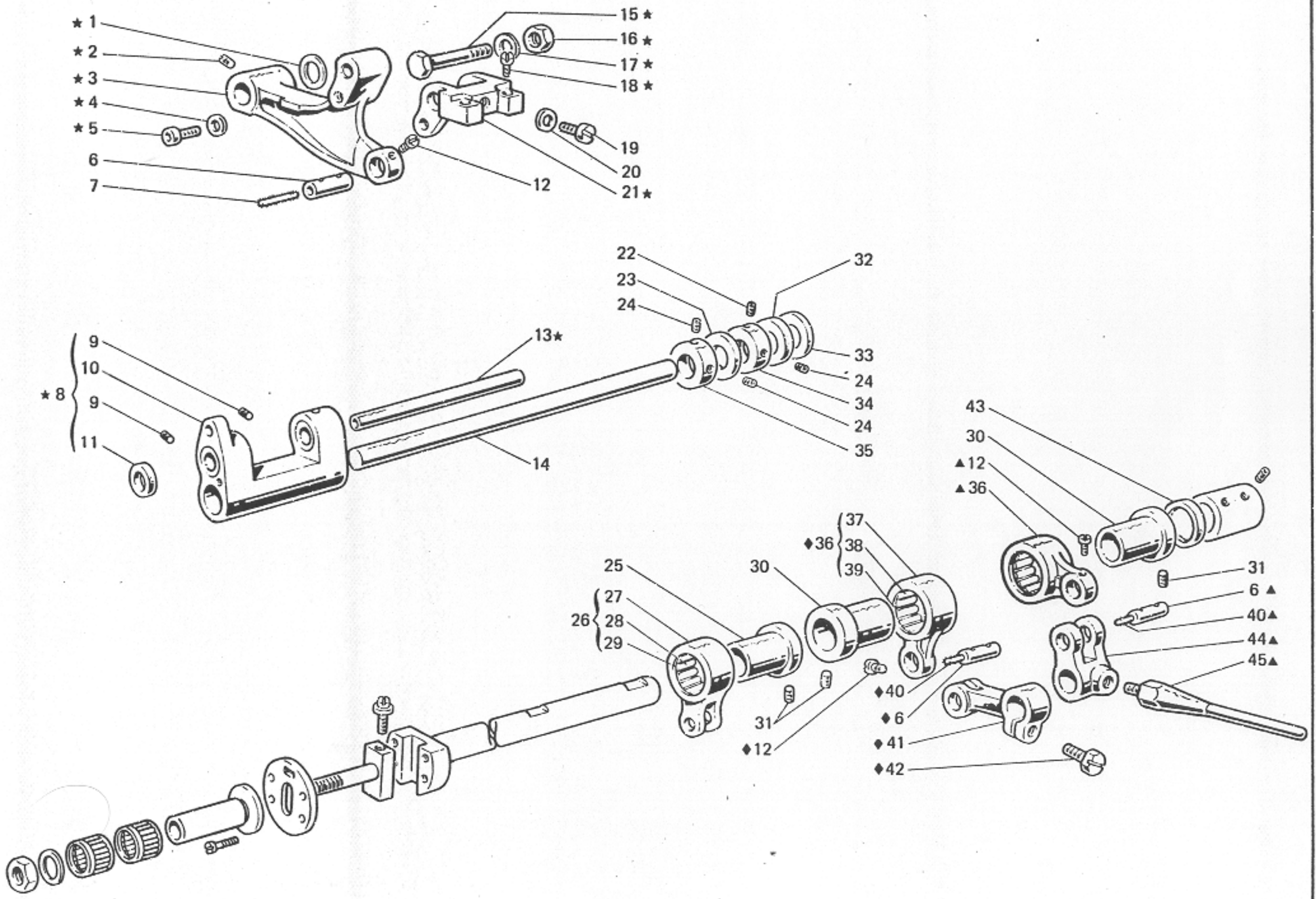


Fig. N. Abb. N.	Part. N. Bestell N. Piece N. Pieza N.	Ct. Anzahl	DESCRIZIONE	DESCRIPTION	DESCRIPTION	BENENNUNG	DESCRIPCION
			SOLO A RICHIESTA	ONLY ON REQUEST	SEULEMENT SUR DEMANDE		
★	304342-4-10	1	guida completa	guide assembly	guide complet		
1	203589-0-10	4	vite	screw	vis		
2	304344-2-10	1	guida destra	right guide	guide droite		
3	304345-0-10	1	guida sinistra	left guide	guide gauche		
4	310122-4-00	1	guida completa per tela	guide assembly	guide complet		
5	742232-2-00	6	vite	screw	vis		
6	704424-2-00	6	rondella	washer	rondelle		
7	305904-0-00	1	guida	guide	guide		
8	310130-4-00	1	guida completa per tela	guide assembly	guide complet		
9	304340-0-11	1	guida	guide	guide		
10	310131-4-00	1	guida completa per flanella	guide assembly	guide complet		
11	304341-0-11	1	guida	guide	guide		

DESCRIZIONE	DESCRIPTION	DESCRIPTION	DESCRIPTION	DESCRIZIONE	QTA	Part. # Part. # Part. #	QTA
	SOLO A RICHIESTA	ONLY ON REQUEST	SEULEMENT SUR DEMANDE				
1	guide completa	guide assembly	guide complet		1	304343-4-10	4
2	vis	crew	vis		2	303303-0-10	1
3	guide destra	right guide	guide droite		1	304344-3-10	3
3	guide sinistra	left guide	guide gauche		1	304345-0-10	3
4	guide completa	guide assembly	guide complet		1	310132-4-00	4
5	vis	crew	vis		5	343333-3-00	5
6	rosetta	washer	rosetta		6	304342-3-00	6
7	guide	guide	guide		1	305304-0-00	7
8	guide completa per lato	guide assembly	guide complet		1	310130-4-00	8
9	guide	guide	guide		1	304340-0-11	9
10	guide completa per famiglia	guide assembly	guide complet	264-11-4EL-16	1	310131-4-00	10
11	guide	guide	guide		1	304341-0-11	11

VARIANTE PER

VARIATION FOR

VARIANTE POUR

264-11-4EL-16

DESCRIPTION

BENENNUNG

DESCRIPTION

DESCRIPTION

DESCRIPTION

Part No.	Part No.	Part No.	Part No.	Part No.	Part No.
308728-0-00	308728-0-00	308728-0-00	308728-0-00	308728-0-00	308728-0-00
342010-0-00	342010-0-00	342010-0-00	342010-0-00	342010-0-00	342010-0-00
304120-0-10	304120-0-10	304120-0-10	304120-0-10	304120-0-10	304120-0-10
302809-0-00	302809-0-00	302809-0-00	302809-0-00	302809-0-00	302809-0-00
304208-0-00	304208-0-00	304208-0-00	304208-0-00	304208-0-00	304208-0-00
341311-0-00	341311-0-00	341311-0-00	341311-0-00	341311-0-00	341311-0-00
304323-0-11	304323-0-11	304323-0-11	304323-0-11	304323-0-11	304323-0-11
304121-0-11	304121-0-11	304121-0-11	304121-0-11	304121-0-11	304121-0-11
304823-0-11	304823-0-11	304823-0-11	304823-0-11	304823-0-11	304823-0-11
304824-0-10	304824-0-10	304824-0-10	304824-0-10	304824-0-10	304824-0-10
304120-0-11	304120-0-11	304120-0-11	304120-0-11	304120-0-11	304120-0-11
38230-0-20	38230-0-20	38230-0-20	38230-0-20	38230-0-20	38230-0-20
Tab. 1					
304823-0-20	304823-0-20	304823-0-20	304823-0-20	304823-0-20	304823-0-20
304828-0-10	304828-0-10	304828-0-10	304828-0-10	304828-0-10	304828-0-10
304821-3-10	304821-3-10	304821-3-10	304821-3-10	304821-3-10	304821-3-10
Tab. 2					
304819-4-10	304819-4-10	304819-4-10	304819-4-10	304819-4-10	304819-4-10
304818-0-10	304818-0-10	304818-0-10	304818-0-10	304818-0-10	304818-0-10
304824-0-10	304824-0-10	304824-0-10	304824-0-10	304824-0-10	304824-0-10
Tab. 3					
304824-0-00	304824-0-00	304824-0-00	304824-0-00	304824-0-00	304824-0-00
304120-0-10	304120-0-10	304120-0-10	304120-0-10	304120-0-10	304120-0-10
321411-0-00	321411-0-00	321411-0-00	321411-0-00	321411-0-00	321411-0-00
322420-0-00	322420-0-00	322420-0-00	322420-0-00	322420-0-00	322420-0-00

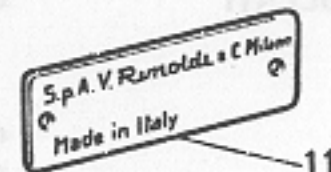
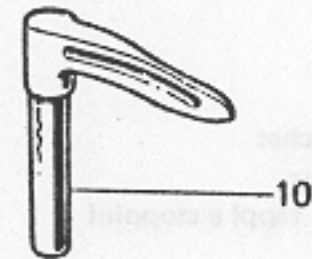
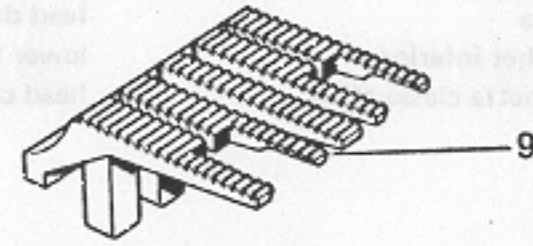
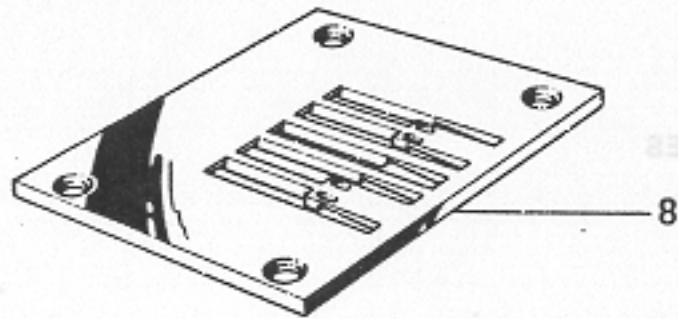
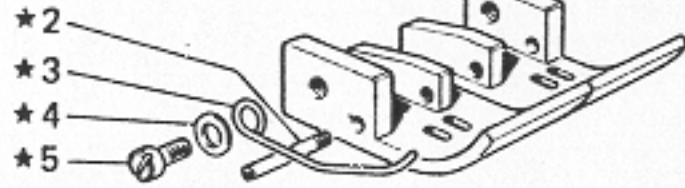
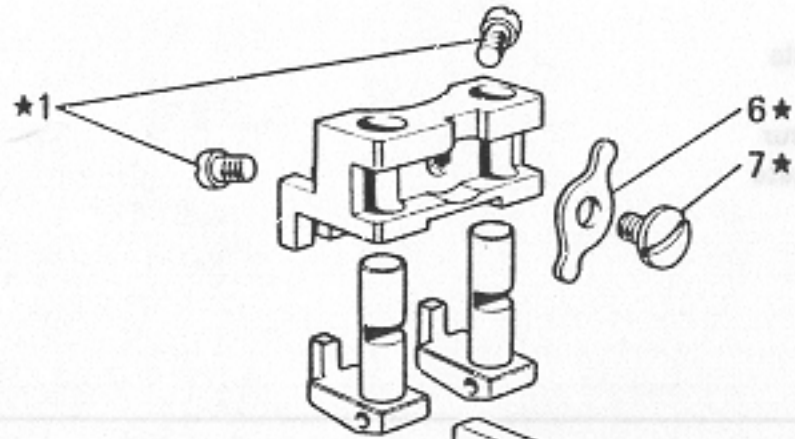


Fig. N. Abb. N.	Part. N. Piece N. Bastell N. Pieza N.	Qt. Anzahi	DESCRIZIONE	DESCRIPTION	DESCRIPTION	BENENNUNG	DESCRIPCION
★	306726-3-00	1	piedino completo	presserfoot assembly	pied-presseur complet		
1	742010-2-00	2	vite	screw	vis		
2	300120-0-10	2	spina filettata	pin	goupille		
3	990809-0-00	2	salvadita	protection	protection		
4	704206-2-00	2	rondella	washer	rondelle		
5	741711-2-00	2	vite	screw	vis		
6	304222-0-11	1	bilanciere	compensator	balancier		
7	304221-0-11	1	vite	screw	vis		
8	304539-0-11	1	piacca ago	needle plate	plaque à aiguille		
9	304524-0-10	1	griffa	feed dog	griffe		
10	304186-0-11	4	crochet inferiore	lower looper	crochet inférieur		
11	785395-0-20	1	targhetta classe testa	head class plate	plaque classe tête		
	<u>Tav. 7</u>						
11	304527-0-20	2	porta crochet	looper holder	porte crochet		
21	304536-0-10	1	blocchetto	block	bloc		
22	304531-3-10	1	barra con tappi e stoppini	bar with plugs and wicks	barre avec bouchons et mèches		
	<u>Tav. 9</u>						
▲	304519-4-10	1	morsetto porta aghi completo	needles clamp assembly	porte-aiguilles complet		
26	304518-0-10	1	morsetto porta aghi	needles clamp	porte-aiguilles		
42	304554-0-10	1	passafilo	thread guide	passe-fil		
			PEZZI ANNULLATI	CANCELLED PARTS	PIECES ANNULEES		
	<u>Tav. 7</u>						
1	304394-0-00	2	dado	nut	écrou		
2	304173-0-10	1	piastrina	plate	plaque		
3	721411-0-00	4	vite	screw	vis		
15	722430-2-00	2	vite	screw	vis		

DESCRIPTION

BEZUEHNUNG

DESCRIPTION

DESCRIPTION

DESCRIPTION

Part No.
Part No.
Part No.

SEULEMENT SUR DEMANDE

ONLY ON REQUEST

SOLO A RICHIESTA

guide complet
vis
guide droite
guide gauche
guide complet
vis
tombelle
guide
guide complet
guide
guide complet
guide

guide complet
vis
guide droite
guide gauche
guide complet
vis
tombelle
guide
guide complet
guide
guide complet
guide

guide complet
vis
guide droite
guide gauche
guide complet
vis
tombelle
guide
guide complet
guide
guide complet
guide

30432-4-10
30288-0-10
30434-5-13
30438-0-10
31152-4-00
YAS32-0-00
T0434-0-00
30284-0-00
31130-4-00
30430-0-11
31031-4-00
30431-0-11

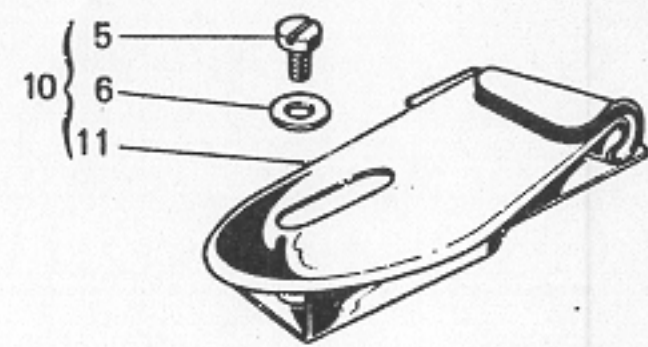
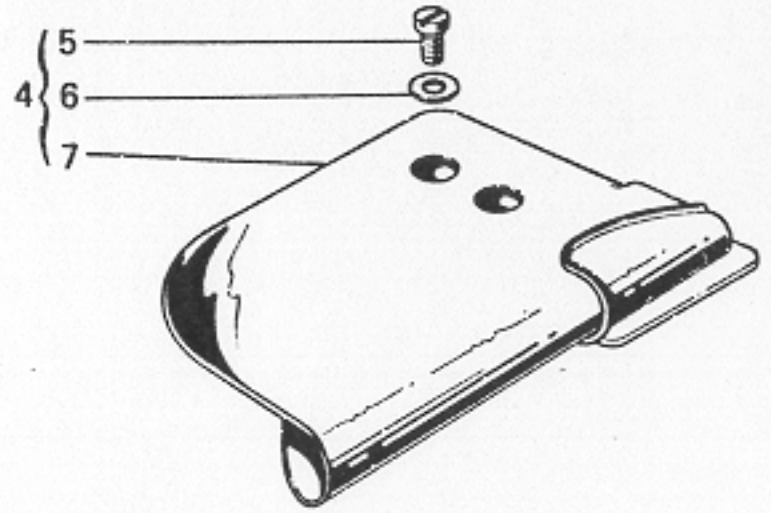
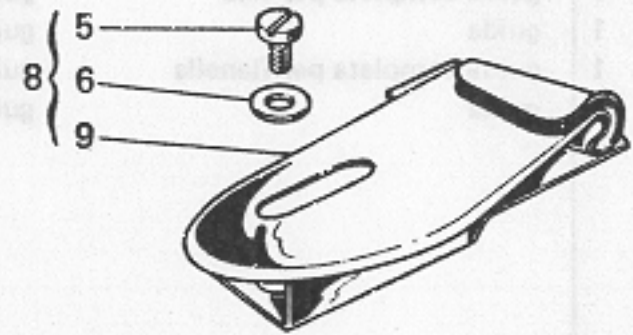
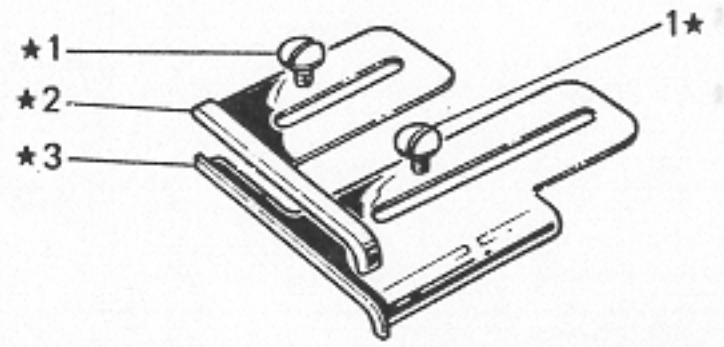


Fig. N. Abb. N.	Part. N. Piece N. Bestell N. Pieza N.	Qt. Anzahl	DESCRIZIONE	DESCRIPTION	DESCRIPTION	BENENNUNG	DESCRIPCION
			SOLO A RICHIESTA	ONLY ON REQUEST	SEULEMENT SUR DEMANDE		
★	304342-4-10	1	guida completa	guide assembly	guide complet		
1	203589-0-10	4	vite	screw	vis		
2	304344-2-10	1	guida destra	right guide	guide droite		
3	304345-0-10	1	guida sinistra	left guide	guide gauche		
4	310122-4-00	1	guida completa per tela	guide assembly	guide complet		
5	742232-2-00	6	vite	screw	vis		
6	704424-2-00	6	rondella	washer	rondelle		
7	305904-0-00	1	guida	guide	guide		
8	310130-4-00	1	guida completa per tela	guide assembly	guide complet		
9	304340-0-11	1	guida	guide	guide		
10	310131-4-00	1	guida completa per flanella	guide assembly	guide complet		
11	304341-0-11	1	guida	guide	guide		

Fig. N. Abb. N.	Part. N. Piece N. Bestell N. Pieza N.	Qt. Anzahl	DESCRIZIONE	DESCRIPTION	DESCRIPTION	BENENNUNG	DESCRIPCION
—	307748-5-00	1	gruppo porta griffa compl. (con figg.*6-7-12-25-26-31)	feed dog holder assembly (with figs.*6-7-12-25-26-31)	groupe porte griffe (avec figg.*6-7-12-25-26-31)		
★	307747-4-00	1	gruppo porta griffa	feed dog holder group	groupe porte griffe		
◆	304256-4-10	1	gruppo comando crochet	looper control assembly	groupe commande crochet		
▲	304262-4-10	1	gruppo comando tendifilo	thread take-up assembly	groupe tendeur du fil		
1	309560-0-00	2	rondella	washer	rondelle		
2	745815-2-00	1	vite	screw	vis		
3	307740-0-00	1	supporto	support	support		
4	704306-0-00	1	rondella	washer	rondelle		
5	722411-2-00	1	vite	screw	vis		
6	300209-0-10	3	perno	pin	pivot		
7	778238-0-00	1	stoppino	wick	mèche		
8	308191-4-00	1	supporto oscillante compl.	oscillating support ass.	support coulissant compl.		
9	729013-2-00	2	vite	screw	vis		
10	308193-2-00	1	supporto con viti	support with screws	support avec vis		
11	308190-0-00	2	anello di tenuta	retainer ring	bague d'étanchéité		
12	742811-0-00	3	vite	screw	vis		
13	308195-0-00	1	perno	pin	pivot		
14	308735-2-00	1	perno per supporto oscillante	pin for oscillating support	pivot pour support coulissant		
15	307749-0-00	1	perno	pin	pivot		
16	746021-2-00	1	dado	nut	écrou		
17	702406-0-00	1	rondella	washer	rondelle		
18	304332-0-10	2	vite	screw	vis		
19	302355-0-10	1	vite	screw	vis		
20	704409-0-00	1	rondella	washer	rondelle		
21	307741-0-00	1	attacco griffa	feed dog attachment	raccord griffe		
22	728232-0-00	1	vite	screw	vis		
23	704846-0-00	1	rondella	washer	rondelle		
24	745136-2-00	3	vite	screw	vis		
25	308028-2-00	1	eccentrico con vite fig.31	eccentric with screw fig. 31	excentrique avec vis fig. 31		
26	301459-4-10	1	giunto compl. per eccentrico	joint assembly for eccentric	joint compl. pour excentrique		
27	301458-0-10	1	giunto	joint	joint		
28	301579-0-10	1	gabbia a rullini	needles cage	cage à aiguilles		
29	201143-0-10	2	anello di tenuta	retainer ring	bague d'étanchéité		
30	308736-2-00	2	eccentrico con vite fig. 31	eccentric with screw fig. 31	excentrique avec vis fig. 31		
31	727834-2-00	6	vite	screw	vis		
32	308287-0-00	1	anello di tenuta	retainer ring	bague d'étanchéité		
33	704347-0-00	1	rondella	washer	rondelle		
34	309839-2-00	1	anello di registro	adjustment ring	bague de réglage		
35	309838-2-00	1	anello di registro	adjustment ring	bague de réglage		
36	304254-3-10	2	giunto completo	joint assembly	joint compl.		
37	304253-0-10	2	giunto	joint	joint		
38	302856-0-10	2	gabbia a rullini	needles cage	cage à aiguilles		
39	304255-0-10	4	anello di tenuta	retainer ring	bague d'étanchéité		
40	778216-0-00	2	stoppino	wick	mèche		
41	301519-2-11	1	attacco	pipe union	raccord		
42	202486-0-10	1	vite	screw	vis		
43	308119-0-00	1	anello di tenuta	retainer ring	bague d'étanchéité		
44	304261-0-10	1	attacco tendifilo	thread take-up attachment	raccord tendeur du fil		
45	304240-0-10	1	tendifilo	thread take-up	tendeur du fil		

