



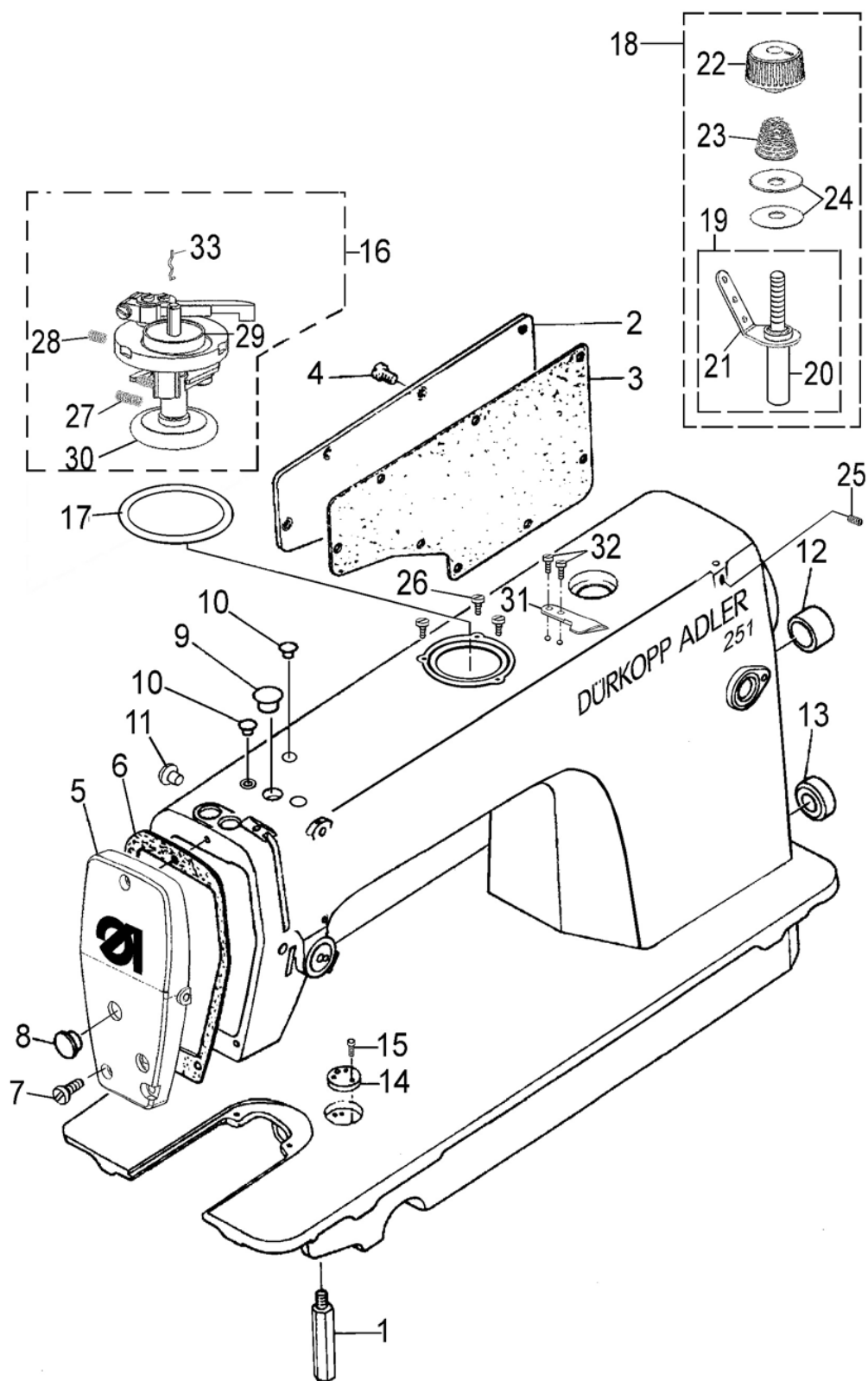
Parts List
零件样本
251-140040

DÜRKOPP ADLER

251-140040

Contents	Page / 页	目 录
ARM BED COMPONENTS	1	机壳部件
MAIN SHAFT & THREAD TAKE-UP COMPONENTS	3	上轴、挑线部件
NEEDLE BAR & THREAD TENSION COMPONENTS	5	针杆、夹线部件
PRESSER BAR COMPONENTS	7	压料部件
HOOK DRIVING SHAFT COMPONENTS	9	勾线部件
FEED MECHANISM COMPONENTS	11	送料部件
FEED REGULATING COMPONENTS	13	送料调节部件
LUBRICATION COMPONENTS	15	润滑部件
OIL RESERVOIR & KNEE LIFTER COMPONENTS	17	油盘、膝抬压脚部件
MACHINE HEAD ACCESSORIES (1)	19	机头附件 (1)
MACHINE HEAD ACCESSORIES (2)	21	机头附件 (2)
Model 251-140040A (FOR LIGHT WEIGHT MATERIALS)	23	251-140040A 型 (薄料用)
Model 251-140040H (FOR HEAVY WEIGHT MATERIALS)	25	251-140040H 型 (厚料用)
NUMERICAL INDEX OF PARTS	27	索 引

1. Arm bed components
机壳部件



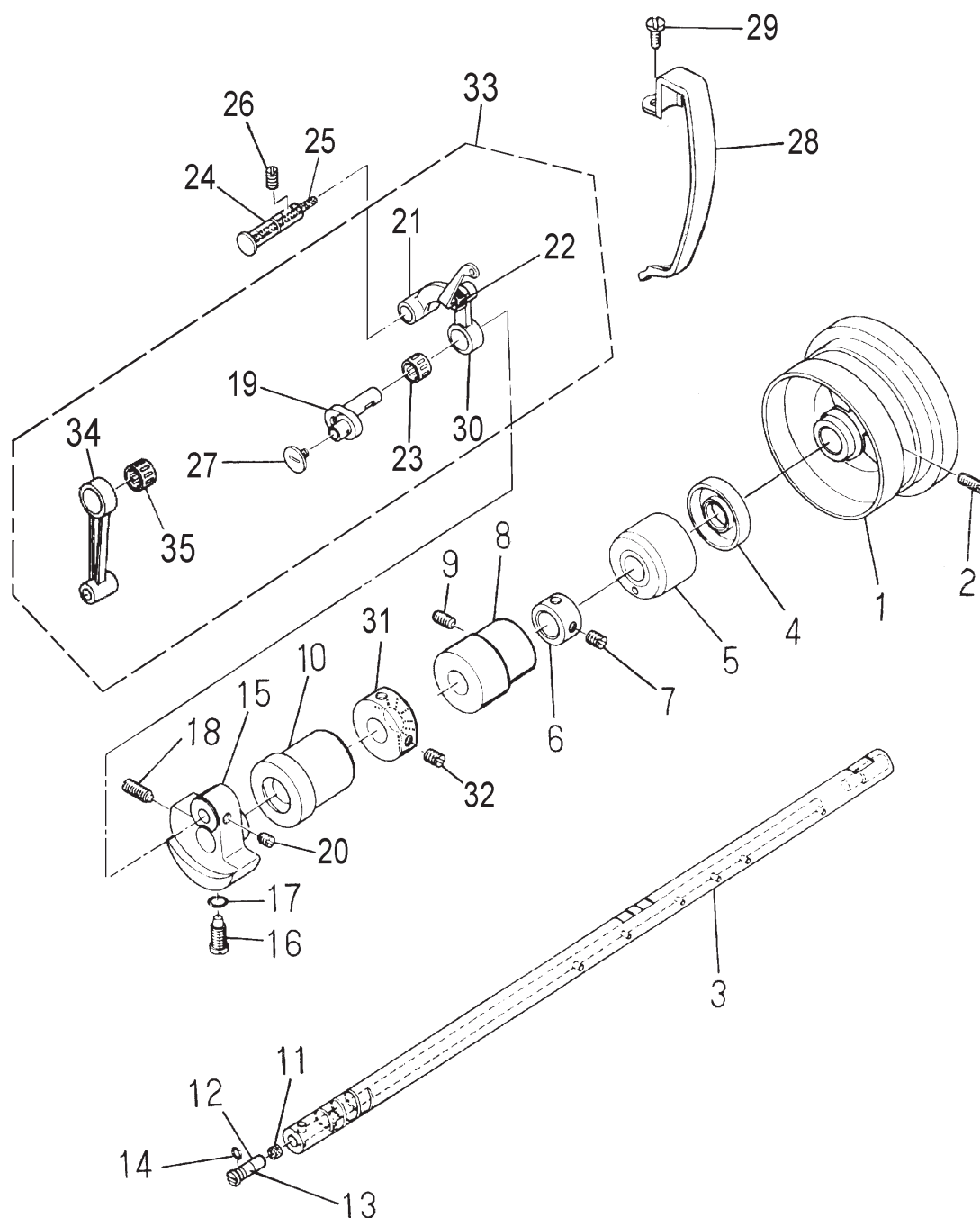
1.Arm bed components

1.机壳部件

序号	件号	Description	名称	Qty
1	0251 GS0548	Bed screw stud	底座支柱	4
2	0251 GK239	Side plate	后窗板	1
3	0251 GR3340	Gasket	后窗板垫	1
4	0251 GS053	Screw 3/16-28 L=9	后窗板螺钉3/16-28 L=9	8
5	0251 GR6245	Face plate arm	面板	1
6	0251 GR6162	Gasket	面板垫	1
7	0251 GS5198	ScREW 3/16-28 L=12	面板螺钉3/16-28 L=12	3
8	0251 GR6163	Rubber plug	面板调节螺孔塞	2
9	0251 GR6164	Rubber plug	针杆曲柄螺孔塞	1
10	0251 GR6165	Rubber plug	挑线连杆销螺孔塞	1
11	0251 GR6168	Rubber plug	工艺孔塞	1
12	0251 GR6166	Rubber plug	送料调节螺孔塞	2
13	0251 GR6167	Rubber plug	下轴盲孔塞	1
14	0251 GR5791	Scale base plate	标尺座	1
15	0251 GS5054	ScREW 11/64-40 L=5	标尺座螺钉11/64-40 L=5	2
16	0251 GR6250V17	Bobbin winder asm	绕线器(部件)	1
17	0251 GRD1172	Bobbin winder cushion washer	绕线器密封垫	1
18	0251 GR6204V5	Thread tension comp	绕线张力部件	1
19	0251 GR6205V2	Thread tension shaft comp	绕线张力轴部件	(1)
20	0251 GZ1152	Thread tension shaft	绕线张力轴	((1))
21	0251 GR5013	Threading plate	绕线张力过线板	((1))
22	0251 GL1040	Nut	绕线张力旋钮螺母	(1)
23	0251 GW1107	Spring	绕线张力弹簧	(1)
24	0251 GR6284	Thread tension disk	绕线器张力夹线盘	(2)
25	0251 GS04	Screw 15/64-28 L=10.5	绕线张力器紧固螺钉15/64-28 L=10.5	1
26	0251 GS5187	Screw 11/64-40 L=6	绕线器安装螺钉 11/64-40 L=6	3
27	0251 GW1106	Spring	绕线轴座弹簧	(1)
28	0251 GW1104	Spring	动作板复位弹簧	(1)
29	0251 GR6257	Bobbin Supper	梭心座	(1)
30	0251 GR6261	O-ring	绕线轮橡胶圈	(1)
31	0251 GR6201	Thread trimmer	割线刀	1
32	0251 GS5188	Screw 9/64-40 L=4	割线刀螺钉 9/64-40 L=4	2
33	0251 GW1105	Spring	绕线轴弹簧	(1)

2.Main shaft & thread take-up components

上轴、挑线部件

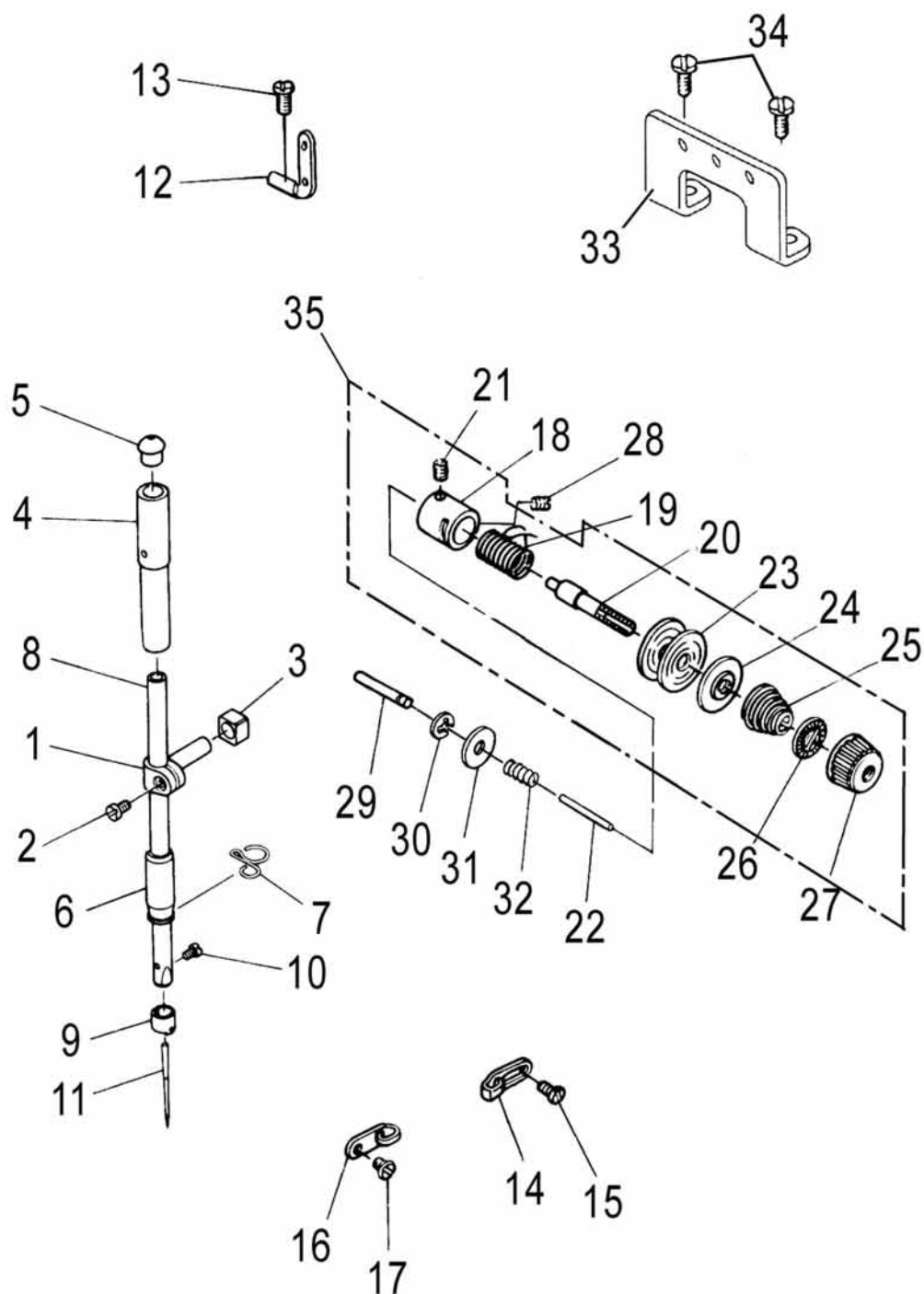


2.Main shaft & thread take-up components

2.上轴 挑线部件

序号	件号	Description	名称	Qty
1	0251 GP1030	Hand wheel	上轮	1
2	0251 GS03	Screw 15/64-28 L=15	上轮螺钉15/64-28 L=15	2
3	0251 GZ431	Main shaft	上轴	1
4	0251 GR6005	Oil seal	上轴油封	1
5	0251 GO1137	Main shaft bushing, rear	上轴后轴套	1
6	0251 GR1469	Thrust collar asm.	上轴挡圈	1
7	0251 GS39	Screw 1/4-40 L=6	上轴挡圈螺钉1/4-40 L=6	2
8	0251 GO1138	Bushing , intermediats	上轴中轴套	1
9	0251 GS0549	Screw 15/64 L=9	上轴中轴套螺钉 15/64 L=9	1
10	0251 GO1139	Main shaft bushing, fornt	上轴前轴套	1
11	0251 GR1470	Oil seal	曲柄油量限制毡	1
12	0251 GX334	Oil amount adjusting pin asm.	曲柄油量调节销	1
13	0251 GO269	Rubber pushing	曲柄油量调节销套	1
14	0251 GR1471	Rubber ring	曲柄油量调节销O形圈	1
15	0251 GH1123	Counterweight	针杆曲柄	1
16	0251 GS06	Screw 9/32-28 L=16	针杆曲柄定位螺钉9/32-28 L=16	1
17	0251 GR1472	Rubber ring	定位螺钉O形圈	1
18	0251 GS0550	Screw 9/32-28 L=16	针杆曲柄紧固螺钉9/32-28 L=16	1
19	0251 GH563	Needle bar crank asm.	挑线曲柄部件	(1)
20	0251 GS39	Screw 1/4-40 L=6	挑线曲柄定位螺钉 1/4-40 L=6	2
21	0251 GH566	Thread take-up crank	挑线连杆	(1)
22	0251 GR3349	Rubber	挑线杆防油套	(1)
23	0251 GO270	Needle bearing	挑线杆滚针轴承	(1)
24	0251 GX1129	Thread take-up crank shaft	挑线连杆销	1
25	0251 GR3350	Oil wick	挑线连杆销油线	1
26	0251 GS04	Screw 15/64-28 L=10.5	挑线连杆销螺钉15/64-28 L=10.5	1
27	0251 GS09	Screw (left twist) 9/64-40 L=4.8	挑线曲柄左旋螺钉9/64-40 L=4.8	(1)
28	0251 GK1050	Thread take-up lever cover	挑线杆护罩	1
29	0251 GS5186	Screw 3/16-28 L=6	挑线杆护罩螺钉3/16-28 L=6	1
30	0251 GH564V4	Thread take-up lever asm.	挑线杆分部件	(1)
31	0251 GP1024	Bobbin winder driving wheel	绕线驱动轮	1
32	0251 GS0155	Screw 15/64-28 L=9	绕线驱动轮螺钉15/64-28 L=9	2
33	0251 GH1131V8	Thread take-up asm.	挑线杆部件	1
34	0251 GH334	Needle bar crank rod	针杆连杆	(1)
35	0251 GO270	Needle bearing	针杆连杆滚针轴承	(1)

3. Needle bar & thread tension components 针杆、夹线部件



3.Needle bar & thread tension components

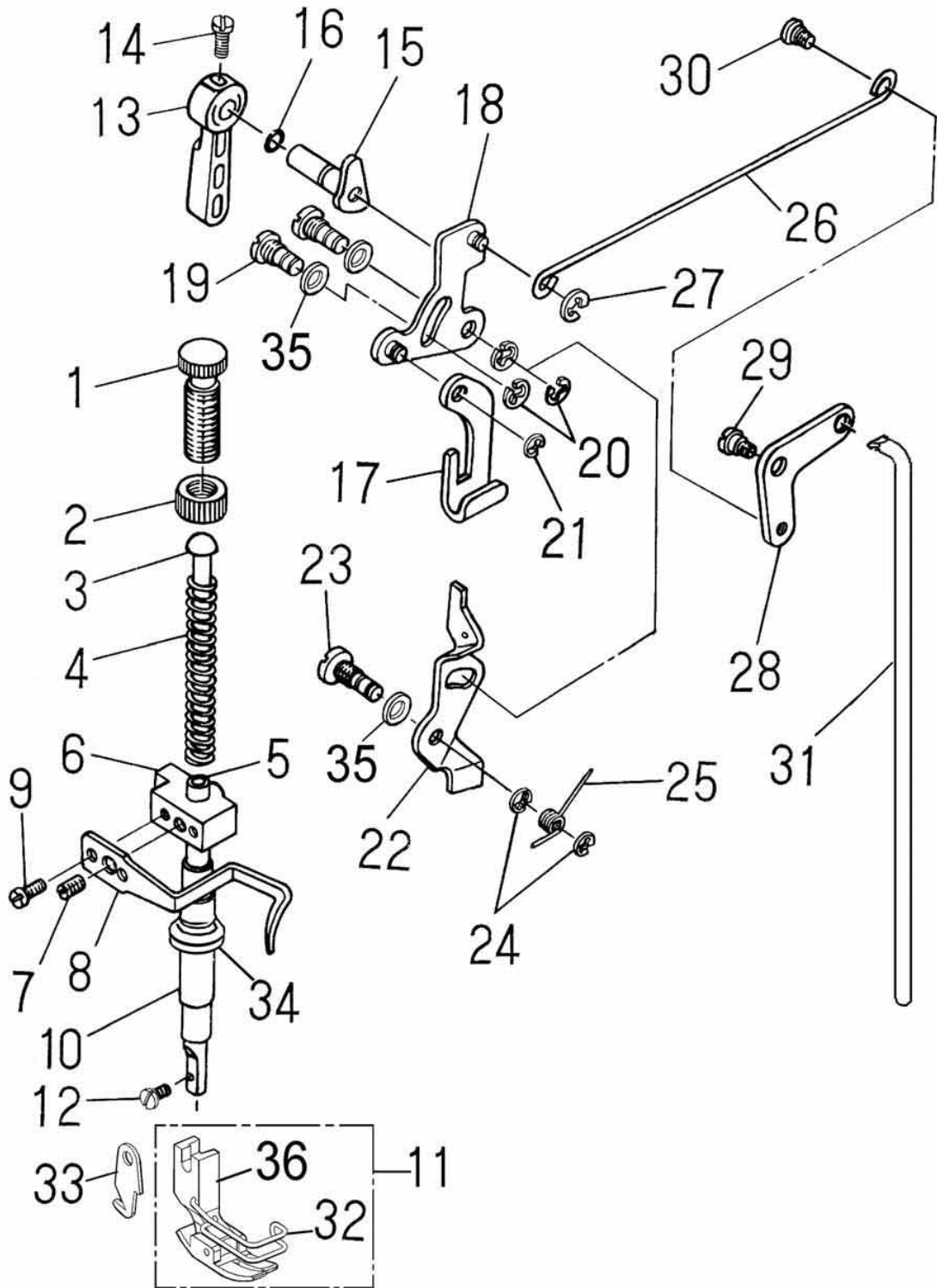
3.针杆、夹线部件

序号	件号	Description	名称	Qty
1	0251 GR1478	Needle bar connection asm	针杆连接柱	1
2	0251 GS042	Screw 9/64-40 L=7.5	针杆连接柱螺钉 9/64-40 L=7.5	1
3	0251 GU168	Slide block	针杆连接柱滑块	1
4	0251 GO1092	Needle bar bushing,upper	针杆上轴套	1
5	0251 GR6174	Cap	针杆上轴套孔塞	1
6	0251 GO1093	Needle bar bushing,lower	针杆下轴套	1
7	0251 GR3351	Needle bar thread guide	针杆下轴套线钩	1
8*	0251 GZ1150	Needle bar(DBX1)	针杆(DBX1)	1
8**	0251 GZ1174	Needle bar(134)	针杆(134)	1
9	0251 GR3352	Needle bar thread guide	针杆线钩	1
10	0251 GS071	Screw 1/8-44 L=4.5	支针螺钉 1/8-44 L=4.5	1
11*	0251 GV15	Needle (DBX1# 14)	机针 (DBX1# 14)	1
11**	0251 GV1006	Needle(134 Nm90)	机针(134 Nm90)	1
12	0251 GR6175	Two-hole thread eyelet	二眼线钩	1
13	0251 GS5186	Screw 3/16-28 L=6	二眼线钩螺钉 3/16-28 L=6	1
14	0251 GR3354	Frame thread guide , right	右线钩	1
15	0251 GS0552	Screw 11/64-40 L=6	右线钩螺钉 11/64-40 L=6	1
16	0251 GR3355	Frame thread guide,left	左线钩	1
17	0251 GS0552	Screw 11/64-40 L=6	左线钩螺钉 11/64-40 L=6	1
18	0251 GR1635	Tension post socket	挑线簧调节座	(1)
19	0251 GW1109	Take-up spring	挑线簧	(1)
20	0251 GS015	Screw	夹线螺钉	(1)
21	0251 GS016	Set screw 9/64-40 L=5.5	夹线螺钉紧固螺钉 9/64-40 L=5.5	(1)
22	0251 GX567	Thread release pin	松线钉	1
23	0251 GR1488	Tension disc	夹线板	(2)
24	0251 GR1489	Tension disc holder	松线板	(1)
25	0251 GW1110	Tension spring	夹线簧	(1)
26	0251 GR1490	Tension disc stopper	夹线制动板	(1)
27	0251 GL1037	Tension nut	夹线螺母	(1)
28	0251 GS48	Screw 15/64-28 L=7	夹线器螺钉 15/64-28 L=7	1
29	0251 GX568	Tension release supporting pin	松线辅钉	1
30	0251 GR1717	Snap ring	松线辅钉挡圈	1
31	0251 GR3357	Washer plate	松线辅钉垫片	1
32	0251 GW432	Tension release supporting spring	松线辅钉弹簧	1
33	0251 GR6179	Needle thread guide	导线板	1
34	0251 GS5186	Tension disc 3/16-28 L=6	导线板螺钉 3/16-28 L=6	2
35	0251 GR6298V10	Thread tension asm.	夹线器部件	1

* FOR ASIA 销往亚洲

** FOR EUROPE 销往欧洲

4. Presser bar components
 压料部件

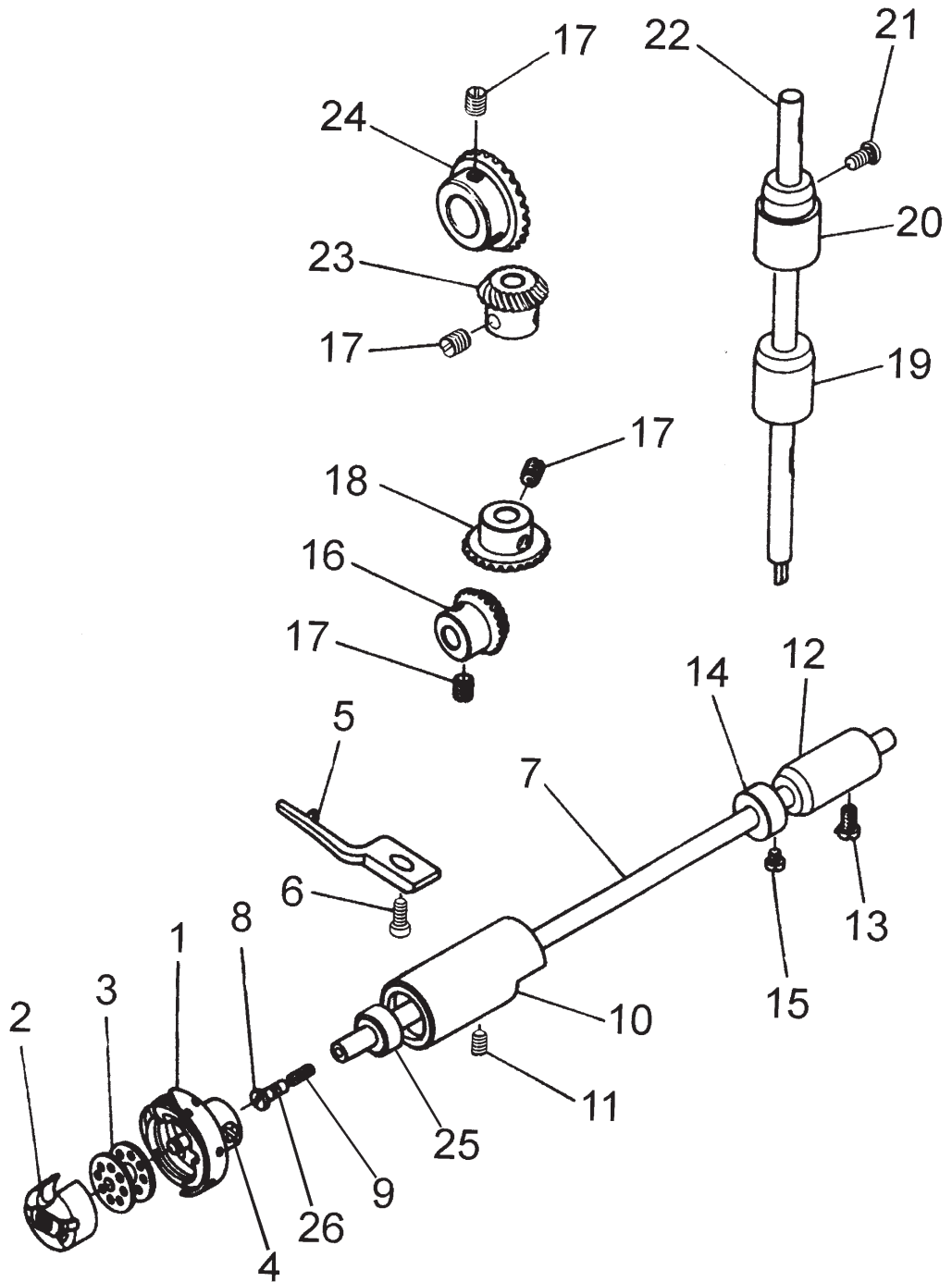


4.Presser bar components

4. 压料部件

序号	件号	Description	名称	Qty
1	0251 GS0553	Presser spring regulator	调压螺钉	1
2	0251 GL0114	Nut 1/2-28	调压螺母 1/2-28	1
3	0251 GR1494	Presser guide bar	调压导杆	1
4	0251 GW253	Presser spring	调压簧	1
5	0251 GZ275	Presser bar	压杆	1
6	0251 GR3358	Needle bar guide bracket	压杆导架	1
7	0251 GS033	Screw 1/4-40 L=8	压杆导架螺钉 1/4-40 L=8	1
8	0251 GR3359	Presser bar thread guide	缓线调节勾	1
9	0251 GS0100	Screw 9/64-40 L=8.5	缓线调节勾螺钉 9/64-40 L=8.5	2
10	0251 GO1135	Presser bar bushing , lower	压杆衬套	1
11	0251 GM1077V5	Presser foot asm.	活压脚部件	1
12	0251 GS020	Screw 9/64-40 L=10.5	活压脚螺钉 9/64-40 L=10.5	1
13	0251 GR3360	Hand lifter	压脚扳手	1
14	0251 GS0554	Screw 9/64-40 L=8.7	压脚扳手螺钉 9/64-40 L=8.7	1
15	0251 GR3361V2	Hand lifter cam asm.	压脚扳手凸轮部件	1
16	0251 GR1503	Rubber ring	压脚扳手轴O形圈	1
17	0251 GR3363	Lifting lever	压脚升降板	1
18	0251 GR3364V3	Hand lifter link asm.	抬压脚前杠杆部件	1
19	0251 GS0161	Link shaft	前杠杆螺纹销	2
20	0251 GR1510	Snap ring	螺纹销开口挡圈	3
21	0251 GR3366	Lifting lever ring	升降板连接特制开口挡圈	1
22	0251 GR3367	Tension release plate	松线顶板	1
23	0251 GS0162	Tension release shaft	松线顶板螺纹销	1
24	0251 GR1510	Snap ring	螺纹销开口挡圈	2
25	0251 GW433	Tension release return spring	松线顶板复位簧	1
26	0251 GR3368	Lifting lever connecting rod	抬压脚拉杆	1
27	0251 GR1510	Snap ring	拉杆开口挡圈	1
28	0251 GR3369	Lifting lever link	抬压脚后杠杆	1
29	0251 GS0557	Hinge screw	后杠杆轴位螺钉	1
30	0251 GS0558	Hinge screw	抬压脚拉杆螺钉	1
31	0251 GR3370	Connecting rod vertical	抬压脚顶杆	1
32	0251 GR6242	Finger guard	保针架	(1)
33	0251 GR6180	Thread trimmer	切线刀	1
34	0251 GK1051	Oil protecting bushing	压杆防油套	1
35	0251 GR2035	Gasket	螺纹销垫圈	1
36	0251 GM1084V4	Presser foot branch asm.	活压脚分部件	(1)

5. Hook driving shaft components
勾线部件



5.Hook driving shaft components

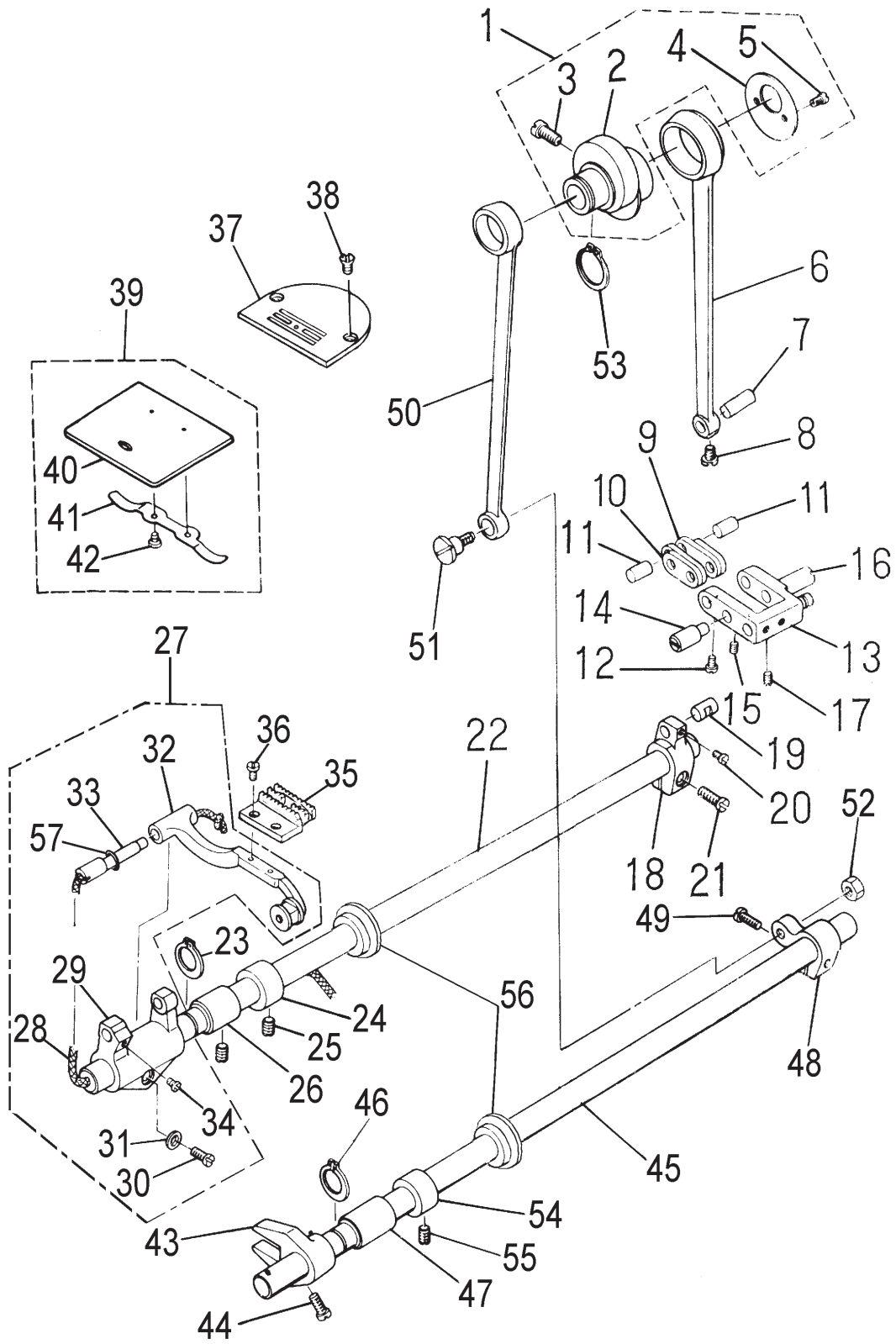
5.勾线部件

序号	件号	Description	名称	Qty
1*	0251 GN161	Hook asm	旋梭	1
1**	0251 GN1033	Hook asm	旋梭	1
2*	0251 GN162	Bobbin case asm	梭子	1
2**	0251 GN1034	Bobbin case asm	梭子	(1)
3	0251 GN163	Bobbin	梭心	1
4	0251 GS029	Screw SM4.46×40 L=4.7	旋梭紧固螺钉SM4.46×40 L=4.7	2
5	0251 GR3371	Positioning finger	旋梭定位钩	1
6	0251 GS030	Screw 11/64-40 L=9.5	旋梭定位钩螺钉11/64-40 L=9.5	1
7	0251 GZ434	Hook driving shaft	下轴	1
8	0251 GS031	Oil seal screw	下轴限油螺钉	1
9	0251 GR1515	Oil wick	下轴限油芯	1
10	0251 GO1148	Lower shaft bushing asm. Front	下轴前轴套部件	1
11	0251 GS0559	Screw 15/64-28 L=4.	下轴前轴套螺钉 15/64-28 L=4.	1
12	0251 GO470	Bushing , rear	下轴后轴套	1
13	0251 GS053	Screw 3/16-28 L=9	下轴后轴套螺钉3/16-28 L=9	2
14	0251 GR1519	Thrust collar	下轴挡圈	1
15	0251 GS082	Screw 11/64-40 L=4.8	下轴挡圈螺钉11/64-40 L=4.8	8
16	0251 GC165	Lower shaft gear,Small	下轴伞齿轮（小）	1
17	0251 GS033	Screw 1/4-40 L=8	伞齿轮螺钉 1/4-40 L=8	1
18	0251 GC166	Upright shaft gear, Large	竖轴下伞齿轮（大）	1
19	0251 GO471	Upright shaft bushing, lower	竖轴下轴套	1
20	0251 GO472	Upright shaft bushing, upper	竖轴上轴套	1
21	0251 GS053	Screw 12/64-28 L=9	竖轴上轴套螺钉12/64-28 L=9	1
22	0251 GZ435	Upright shaft	竖轴	1
23	0251 GC167	Upright shaft gear, Small	竖轴上伞齿轮（小）	1
24	0251 GC168	Main shaft gear, Large	上轴伞齿轮（大）	1
25	0251 GR6238	Oil seal	下轴油封	1
26	0251 GR6181	O-ring	下轴限油螺钉O形圈	1

* FOR ASIA 销往亚洲

** FOR EUROPE 销往欧洲

6.Feed mechanism components
送料分部件

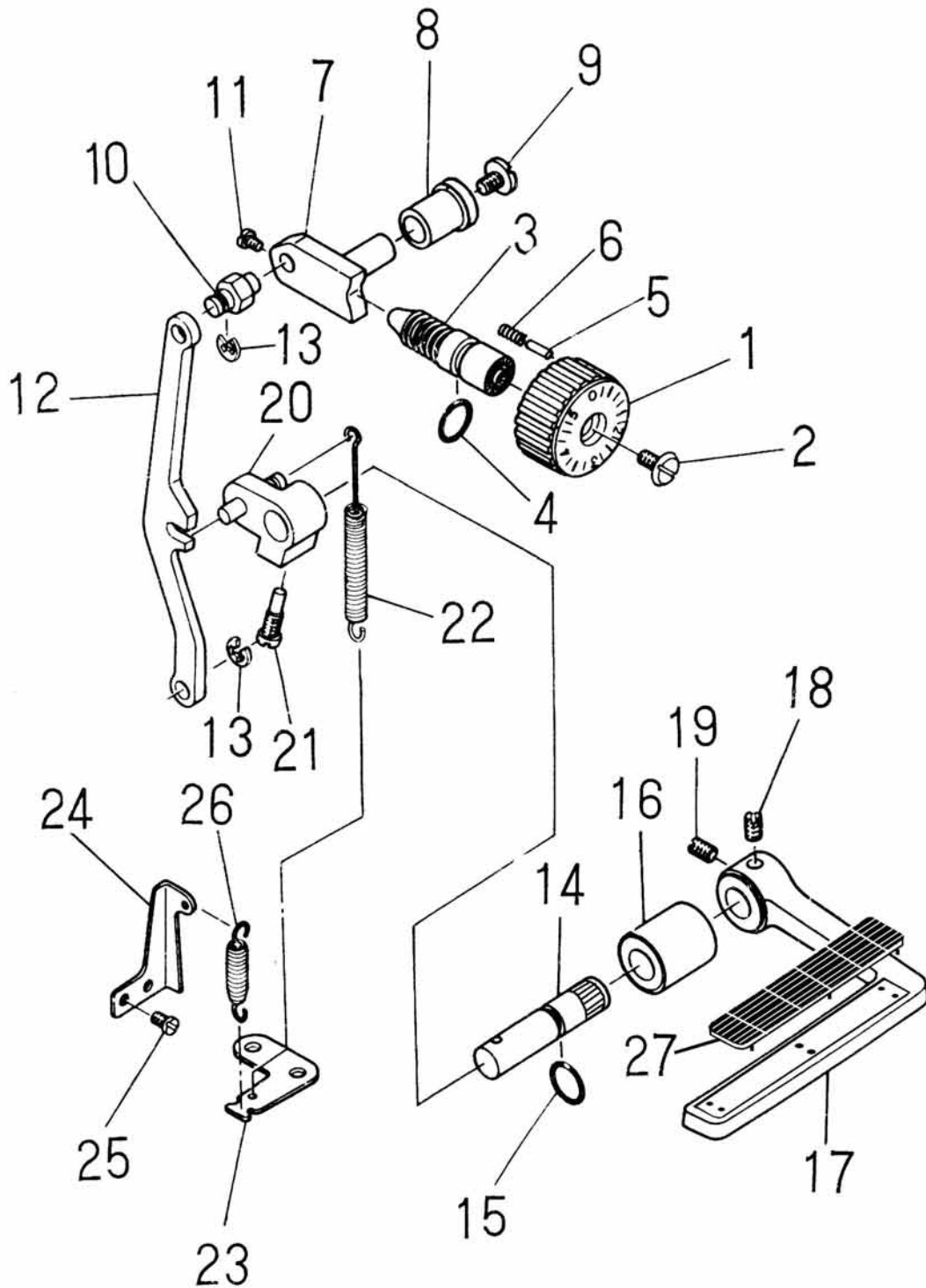


6.Feed mechanism components

6.送料分部件

序号	件号	Description	名称	Qty
1	0251 GR6247V6	Feed drive eccentric cam asm.	送料偏心轮部件	1
2	0251 GT198	Feed drive eccentric cam	送料偏心轮	(1)
3	0251 GS034	Screw 1/4-40 L=11	送料偏心轮螺钉 1/4-40 L=11	(2)
4	0251 GR3373	Thrust collar	送料偏心轮盖板	(1)
5	0251 GS011	Screw 9/64-40 L=6	偏心轮盖板螺钉 9/64-40 L=6	(2)
6	0251 GH568	Rocker shaft connecting rod	送料连杆	1
7	0251 GX1029	Walking foot pin	送料连杆销	1
8	0251 GS0560	Screw 9/64-40 L=6	送料连杆销螺钉 9/64-40 L=6	1
9	0251 GR5254	Walking foot link	送料长摆动板	2
10	0251 GR5255	Connecting link	送料短摆动板	2
11	0251 GX1030	Walking foot pin	短摆动板连接销	2
12	0251 GS0560	Screw 9/64-40 L=6	连接销螺钉 9/64-40 L=6	2
13	0251 GR3376V2	Walking foot adjusting link	送料摆动板座部件	1
14	0251 GX573	Adjusting link fulcrum shaft	送料摆动板座左销	1
15	0251 GS48	Screw 15/64-28 L=7	左销螺钉 15/64-28 L=7	1
16	0251 GX573	Ajusting link fulcrum shaft	送料摆动板座右销	1
17	0251 GS48	Screw 15/64-28 L=7	右销螺钉 15/64-28 L=7	1
18	0251 GH569	Feed rocker shaft crank asm	送料曲柄	1
19	0251 GX1031	Walking foot pin	送料曲柄销	1
20	0251 GS0560	Screw 9/64-40 L=6	曲柄销螺钉 9/64-40 L=6	1
21	0251 GS0561	Screw 3/16-28 L=14	送料曲柄螺钉 3/16-28 L=14	1
22	0251 GZ436	Feed rocker shaft	送料轴	1
23	0251 GR1524	Retaining ring	送料轴轴用挡圈	1
24	0251 GR1469	Thrust collar asm.	送料轴挡圈	1
25	0251 GS39	Screw rocker shaft bushing 1/4-40 L=6	送料轴挡圈螺钉 1/4-40 L=6	2
26	0251 GO473	Feed rocker shaft boshing	送料轴前轴套	1
27	0251 GR6283/8	Feed dog asm.	送料牙小组件	1
28	0251 GR3378	Oil wick	送料轴油线	(1)
29	0251 GR2425	Feed rocker asm.	牙架座	(1)
30	0251 GS69	Scerw 3/16-28 L=14	牙架座螺钉 3/16-28 L=14	(1)
31	0251 GR1528	Washer	牙架座螺钉垫圈	(1)
32	0251 GR6003V4	Feed bar asm	牙架部件	(1)
33	0251 GX418	Feed bar shaft	牙架销	(1)
34	0251 GS092	Screw 11/64-40 L=7	牙架销螺钉 11/64-40 L=7	(1)
35	0251 GM1086	Feed dog	送料牙	1
36	0251 GS072	Screw 1/8-44 L=6	送料牙螺钉 1/8-44 L=6	2
37	0251 GM1068	Throat plate	针板	1
38	0251 GS044	Screw 11/64-40 L=6.8	针板螺钉 11/64-40 L=6.8	2
39	0251 GM1073V3	Bed slide asm.	推板部件	1
40	0251 GM204	Slide plate	推板	(1)
41	0251 GW1096	Bed slide spring	推板簧	(1)
42	0251 GS045	Screw 3/32-56 L=1.9	推板簧螺钉 3/32-56 L=1.9	(2)
43	0251 GH570	Driving shaft crank asm.front	拾牙叉形曲柄	1
44	0251 GS037	Screw 11/64-40 L=10.5	拾牙叉形曲柄螺钉 11/64-40 L=10.5	1
45	0251 GZ437	Lifting shaft	拾牙轴	1
46	0251 GR1524	Retaining ring	拾牙轴轴用挡圈	1
47	0251 GO473	Feed rocker shaft bushing	拾牙轴前轴套	1
48	0251 GH571	Rear crank asm.	拾牙后曲柄	1
49	0251 GS049	Screw 3/16-28 L=12	拾牙后曲柄螺钉 3/16-28 L=12	1
50	0251 GH572	Connecting rod	拾牙连杆	1
51	0251 GS0562	Hinge screw	拾牙连杆轴位螺钉	1
52	0251 GL7	Nut 9/32-28	拾牙连杆轴位螺母 9/32-28	1
53	0251 GR1535	Snap ring	拾牙连杆轴用挡圈	1
54	0251 GR1469	Thrust collar asm.	拾牙轴挡圈	1
55	0251 GS39	Screw 1/4-40 L=6	拾牙轴挡圈螺钉 1/4-40 L=6	2
56	0251 GR6182	Oil protecting rubber	送料轴防油套	2
57	0251 GRD1087	Washer	牙架座垫圈	(1)

7. Feed regulating components
送料调节部件

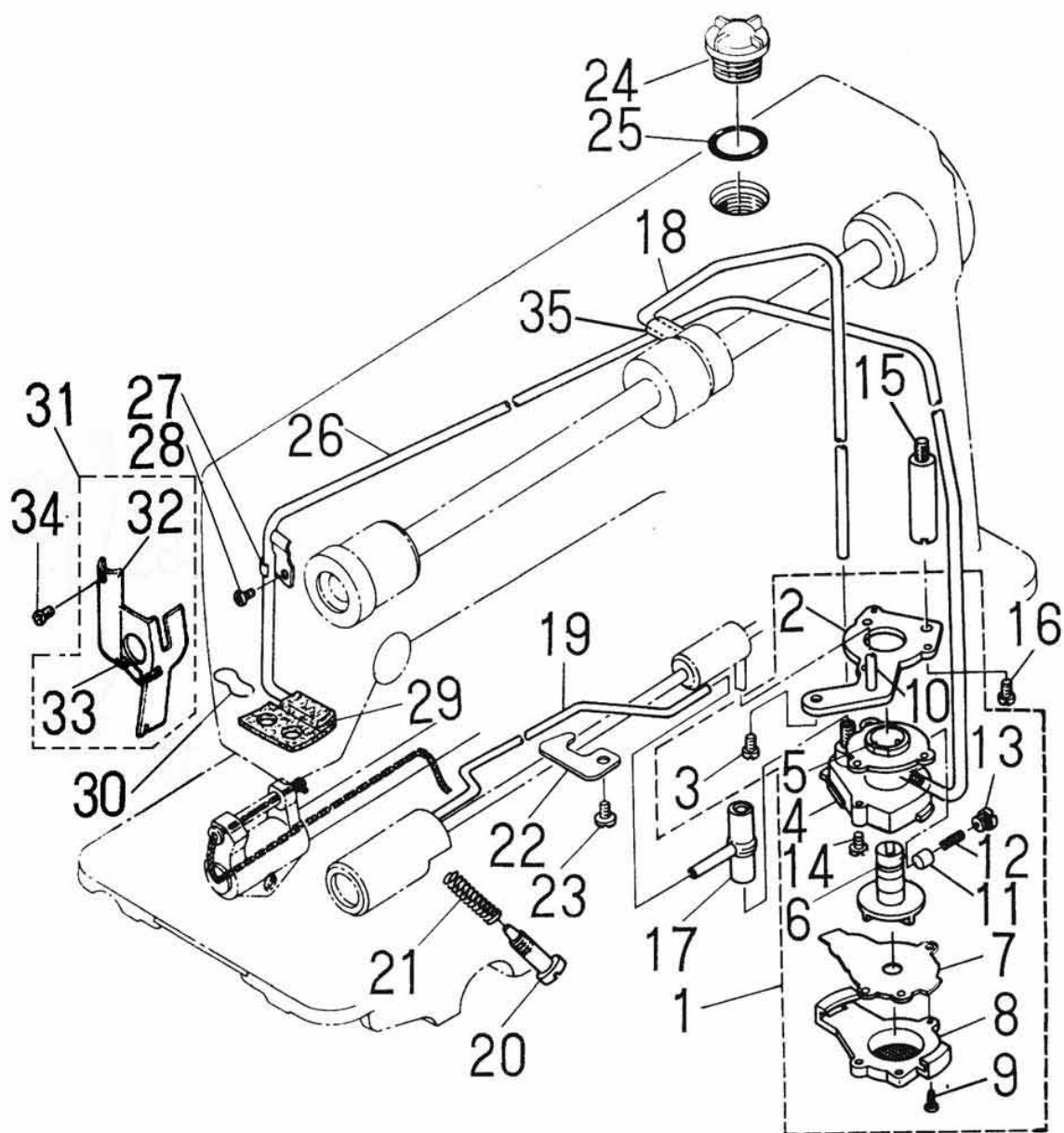


7.Feed regulating components

7.送料调节部件

序号	件号	Description	名称	Qty
1	0251 GR6183	Feed dial	送料距旋钮	1
2	0251 GS0563	Screw 3/16-28 L=18	送料距旋钮螺钉 3/16-28 L=18	1
3	0251 GS0564	Feed regulator screw	送料调节螺柱	1
4	0251 GR3383	Rubber ring	送料调节螺柱O型圈	1
5	0251 GX576	Pin	送料距锁合销	1
6	0251 GW257	Spring	送料距锁合簧	1
7	0251 GR3384	Feed regulator	送料调节器	1
8	0251 GO474	Feed regulator bushing	送料调节器轴套	1
9	0251 GS0565	Screw 3/16-28 L=7	送料调节器轴端螺钉3/16-28 L=7	1
10	0251 GX577	Feed regulator pin	倒送料连杆销	1
11	0251 GS011	Screw 9/64-40 L=6	连杆销螺钉 9/64-40 L=6	2
12	0251 GH1101	Feed regulator connecting rod	倒送料连杆	1
13	0251 GR1510	Snap ring	倒送料连杆挡圈	2
14	0251 GZ1027	Feed reverse shaft	倒送料轴	1
15	0251 GR3385	Rubber ring	倒送料轴O型圈	1
16	0251 GO1094	Feed reverse shaft boshing	倒送料轴轴套	1
17	0251 GR6185	Reverse feed control lever	倒送料扳手	1
18	0251 GS050	Screw 1/4-40 L=10	倒送料扳手定位螺钉 1/4-40 L=10	1
19	0251 GS033	Screw 1/4-40 L=8	倒送料扳手螺钉1/4-40 L=8	1
20	0251 GH574V2	Feed reverse arm asm.	倒送料曲柄部件	1
21	0251 GS0566	Feed reverse arm screw	倒送料曲柄螺钉	1
22	0251 GW435	Feed reverse spring	倒送料拉簧	1
23	0251 GR3387	Feed spring hook	拉簧固定扳	1
24	0251 GR3388	Adjusting link spring guide	摆动板座复位板	1
25	0251 GS0567	Screw 11/64-40 L=5	复位板螺钉 11/64-40 L=5	2
26	0251 GW436	Spring	摆动板座复位簧	1
27	0251 GR6186	Reverse feed lever rubber	倒送料扳手垫	1

8. Lubrication components
润滑部件

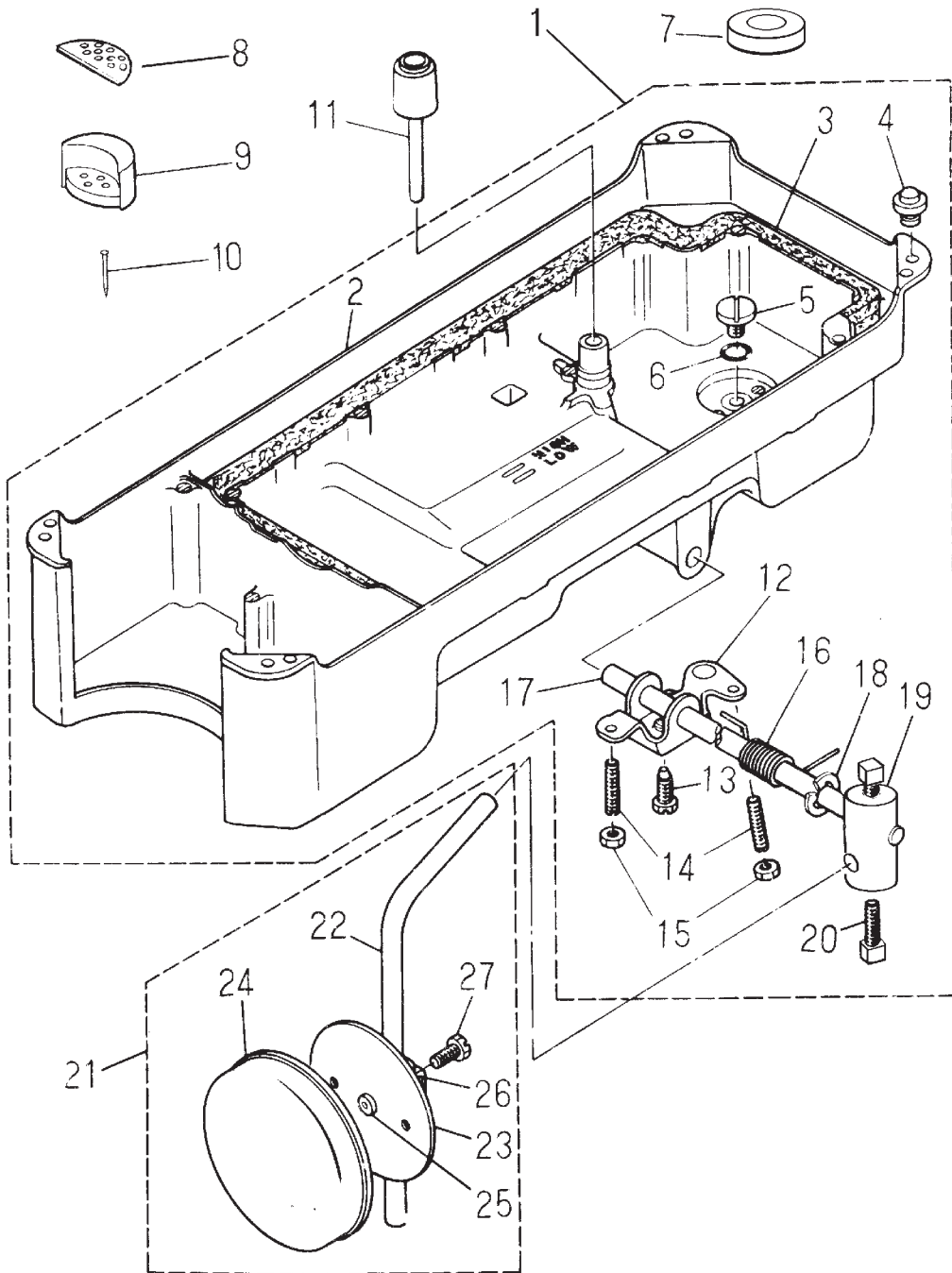


8.Lubrication components

8.润滑部件

序号	件号	Description	名称	Qty
1	0251 GR3389V12	Lubrication oil pump asm.	油泵部件	1
2	0251 GR3390	Oil pump installing base	油泵安装板	(1)
3	0251 GS062	Screw 15/64-28 L=9	油泵安装螺钉 15/64-28 L=9	1
4	0251 GR3391	Oil pump	油泵体	(1)
5	0251 GO476	Oil pump bushing	油泵体衬套	(1)
6	0251 GR3392	Oil pump impeller	油泵叶轮	(1)
7	0251 GR3393	Oil pump impeller cover	油泵叶轮托板	(1)
8	0251 GR3394	Lubricating oil pump cover	油泵盖	(1)
9	0251 GS554	Screw M3 L=10	油泵盖螺钉 M3 L=10	(3)
10	0251 GR3395	Hook driving shaft oil tube	下轴供油管	(1)
11	0251 GR3396	Plunger	回油柱塞	(1)
12	0251 GW437	Plunger spring	柱塞簧	(1)
13	0251 GS0569	Plunger screw M7X0.75 L=5	柱塞螺钉 M7X0.75 L=5	(1)
14	0251 GS0568	Screw M3 L=8	油泵螺钉 M3 L=8	(3)
15	0251 GS0570	Oil pump support	油泵连接螺柱	1
16	0251 GS030	Screw 11/64-40 L=9.5	连接螺柱螺钉 11/64-40 L=9.5	1
17	0251 GR3397	Rubber joint	供油管接头	1
18	0251 GR6187	Main shaft oil tube	上轴供油管	1
19	0251 GR6011	Oil tube	旋梭供油管	1
20	0251 GS054	Oil adjusting screw	旋梭油量调节螺钉	1
21	0251 GW259	Spring	旋梭油量调节簧	1
22	0251 GR3400	Tube holder(lower)	旋梭供油管压板	1
23	0251 GS062	Screw 15/64-28 L=9	压板螺钉 15/64-28 L=9	1
24	0251 GR1561	Oil sight window	油窗	1
25	0251 GR1562	Rubber ring	油窗O型圈	1
26	0251 GR6188V2	Oil return tube	回油管	1
27	0251 GR1566	Oil return tube holder	回油管夹	1
28	0251 GS0551	Screw 3/16-28 L=6	回油管夹螺钉 3/16-28 L=6	1
29	0251 GR1568	Oil felt	回油毡	1
30	0251 GR1569	Oil felt presser	回油毡夹	1
31	0251 GR3402V2	Arm oil shield asm	面部防油板部件	1
32	0251 GR3403	Arm oil shield	面部防油板	(1)
33	0251 GR3404	Oil wick	防油板油线	(1)
34	0251 GS44	Screw 1/8-44 L=4	防油板螺钉 1/8-44 L=4	1
35	0251 GR6172	Plastic seal	上轴供油管密封圈	1

9.Oil reservoir & knee lifter components
油盘、膝抬压脚部件

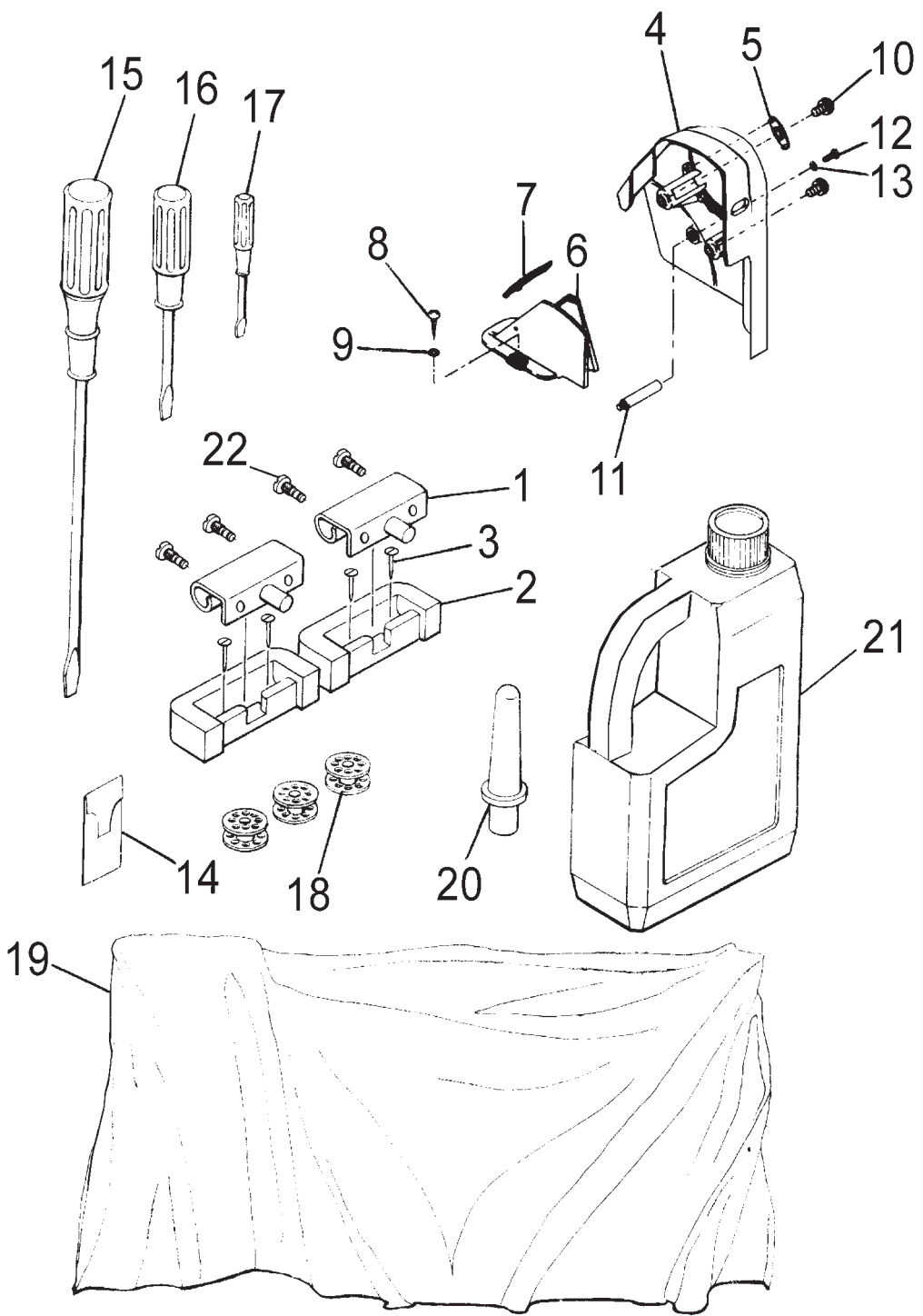


9.Oil reservoir & knee lifter components

9.油盘、膝抬压脚部件

序号	件号	Description	名称	Qty
1	0251 GR6291V22	Oil reservoir asm.	油盘部件	1
2	0251 GR3406	Oil reservoir	油盘	(1)
3	0251 GR3407	Gasket	油盘垫	(1)
4	0251 GR3408	Rubber cushion	机头座垫	(4)
5	0251 GS0571	Screw 5/16-24 L=7	排油孔螺钉5/16-24 L=7	(2)
6	0251 GR3409	Rubber ring	排油孔螺钉O型圈	(2)
7	0251 GR6301	Oil reservoir magnet	油盘磁铁	1
8	0251 GR6287	Oil reservoir felt cushion	油盘座垫	2
9	0251 GR6286	Oil reservoir rubber cushion	油盘支座	2
10	0251 GBX108	Nail	油盘座钉	4
11	0251 GX1130	Knee press lifter rod	抬压脚顶销	1
12	0251 GH1132	Connecting rod,vertical	抬压脚双向曲柄	(1)
13	0251 GS0572	Screw 15/64-28 L=18	双向曲柄螺钉15/64-28 L=18	(1)
14	0251 GS057	Screw 15/64-28 L=30	双向曲柄限位调节螺钉15/64-28 L=30	(2)
15	0251 GL21	Nut 15/64-28	双向曲柄限位调节螺母 15/64-28	(2)
16	0251 GW438	Spring	双向曲柄扭簧	(1)
17	0251 GZ439	Knee press rod	抬压脚轴	(1)
18	0251 GR1583	Snap ring	抬压脚轴开口挡圈	(1)
19	0251 GR3410	Bearing bracket	抬压脚操纵杆节头	(1)
20	0251 GS0573	Screw 9/32-20 L=20	操纵杆节头螺钉9/32-20 L=20	(2)
21	0251 GR3411V6	Knee press plate asm.	操纵杆部件	1
22	0251 GZ440	Knee lifter plate rod	操纵杆	(1)
23	0251 GR3412	Knee press plate	操纵板	(1)
24	0251 GR3958	Knee press plate cover	操纵板软垫	(1)
25	0251 GR3413	Rubber	操纵杆垫	(1)
26	0251 GR3414	Knee press plate holder	操纵杆节头	(1)
27	0251 GS584	Screw 15/64-28 L=15	节头螺钉 15/64-28 L=15	(1)

10. Machine head accessories(1)
机头附件(1)



10.Machine head accessories(1)

10.机头附件(1)

序号	件号	Description	名称	Qty
1	0251 GR6191V2	Machine hinge plate asm.	机头连接钩部件	2
2	0251 GR6193	Machine hinge plate	机头连接钩座	2
3	0251 GBS1003	Screw	机头连接钩座钉	4
4	0251 GK1055	Beltcover,A	上轮前罩壳	1
5	0251 GR3415	Beltcover,A cap	前罩壳安装架	1
6	0251 GK1449	Beltcover,B	上轮后罩壳	1
7	0251 GR4012V2	Beltcover,B cover asm.	后罩壳盖部件	1
8	0251 GBS120	Wood screw D=4.5 L=20	后罩壳安装木螺钉D=4.5 L=20	2
9	0251 GBR147	Washer	木螺钉垫圈	2
10	0251 GS0574	Beltcover,A screw	前罩壳紧固螺钉	2
11	0251 GS0575	Beltcover support	前罩壳支柱	1
12	0251 GS0576	Screw 3/16-28 L=14	支柱螺钉 3/16-28 L=14	1
13	0251 GR3417	Washer	螺钉垫圈	1
14*	0251 GV15	Needle(DBX1#14) include 3 pcs	机针 (DBX1#14) 3支装	1
14**	0251 GV1006	Needle(134 Nm90) include 3 pcs	机针(134 Nm90) 3支装	1
15	0251 GR1601	Screw driver (large)	螺丝刀(大)	1
16	0251 GR1602	Screw driver (medium)	螺丝刀(中)	1
17	0251 GR1603	Screw driver (small)	螺丝刀(小)	1
18	0251 GN163	Bobbin	梭心	3
19	0251 GF424	Machine head cover	机头罩	1
20	0251 GBR148	Machine rest pin	机头支柱	1
21	0251 GR1604V3	Oil reservoir asm.	油箱部件	1
22	0251 GS044	Screw 11/64-40 L=8.5	连接钩安装螺钉11/64-40 L=8.5	4

* FOR ASIA 251-140040A(薄料用): 0251 GV16 (DBX1#9)

销往亚洲

251-140040H(厚料用): 0251 GV17 (DBX1#21)

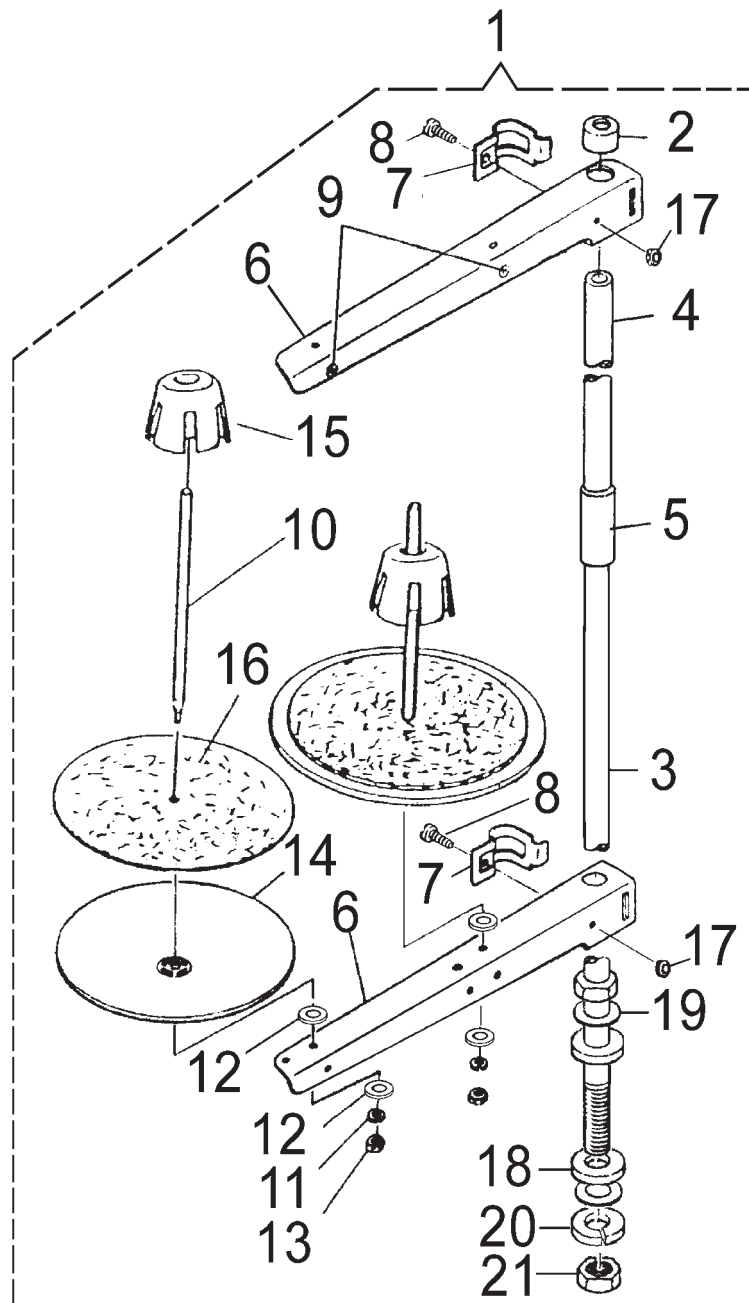
**FOR EUROPE

销往欧洲

251-140040A(薄料用): 0251 GV1007(134 Nm65)

251-140040H(厚料用): 0251 GV17 (DBX1#21) (same as 134 Nm130)

11. Machine head accessories(2)
机头附件(2)

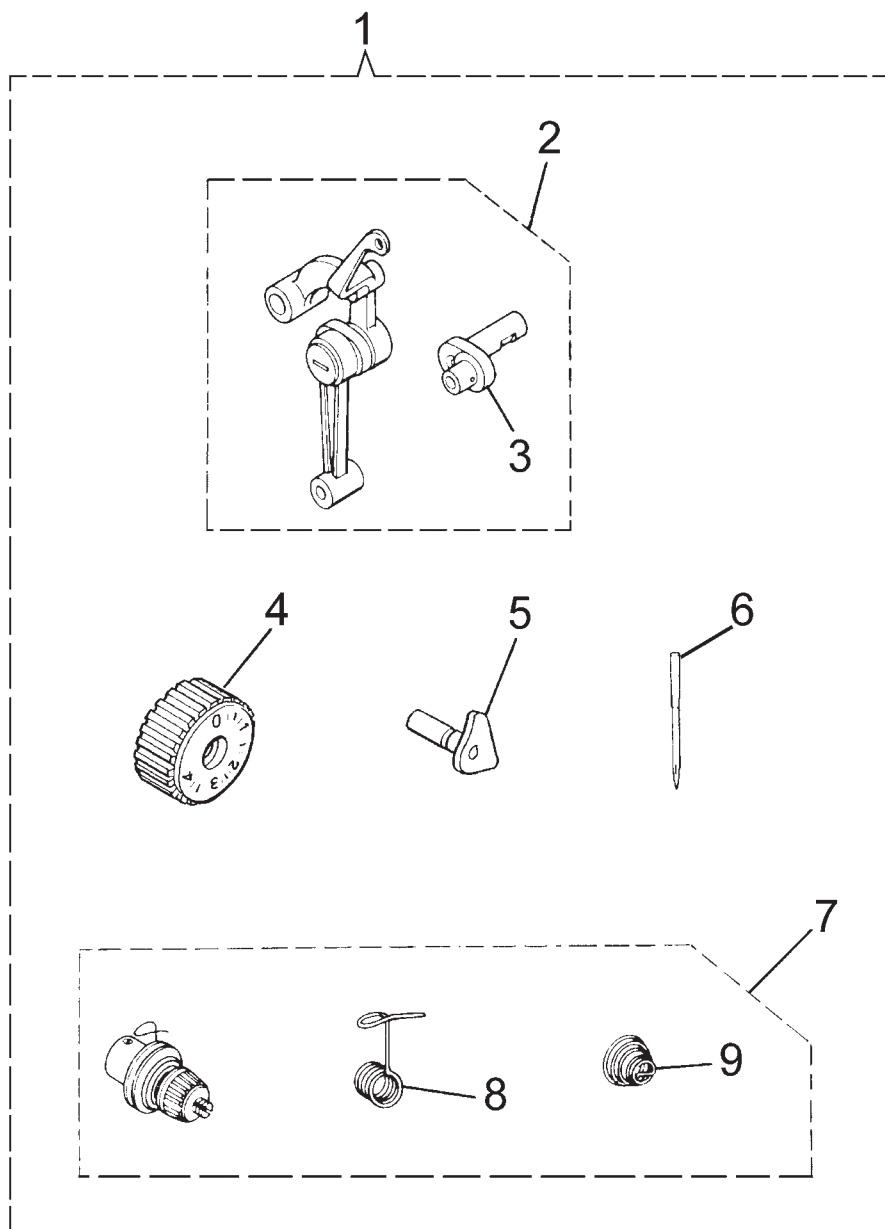


11. Machine head accessories (2)

11. 机头附件(2)

序号	件号	Description	名称	Qty
1	0251 GR6196V37	Spool rest rod asm.	线架组件	(1)
2	0251 GR1744	Spool rest rod rubber cap	线架杆顶防护橡皮	1
3	0251 GZ315	Spool rest rod (Lower)	线架杆下节	1
4	0251 GZ316	Spool rest rod (upper)	线架杆上节	1
5	0251 GR1932	Spool rested joint	线架杆接头	1
6	0251 GR6199	Thread guide asm.	线架过线杆	2
7	0251 GR1745	Thread guide arm joint	线架过线夹	2
8	0251 GS558	Screw M6 L=12	线架过线夹螺钉 M6 L=12	2
9	0251 GR1748	Thread guide ring	过线圈	2
10	0251 GX1127	Spool pin	线盘钉	2
11	0251 GR1626	Spring washer	线盘钉弹簧垫圈	2
12	0251 GR1625	Washer	线盘钉垫圈	4
13	0251 GL23	Nut 3/16-24	线盘钉螺母 3/16-24	2
14	0251 GR4015	Spool rest	线盘	2
15	0251 GR4014	Spool vibration stopper	线团防松垫	2
16	0251 GR4013	Washer	海绵垫	2
17	0251 GL1038	Nut M6	线架过线夹螺母 M6	2
18	0251 GR1753	Vibration-proof rubber	线架杆防震橡皮圈	2
19	0251 GR1696	Washer	线架杆紧固螺母垫圈	2
20	0251 GR1751	Spring washer	紧固螺母弹簧垫圈	1
21	0251 GL158	Nut M16×1.5	线架杆紧固螺母 M16×1.5	2

12. Model 251-140040A
(For Light Weight Materials)
251-140040A 型(薄料用)



12.Model 251-140040A

12.251-140040A型

(For Light Weight Materials)

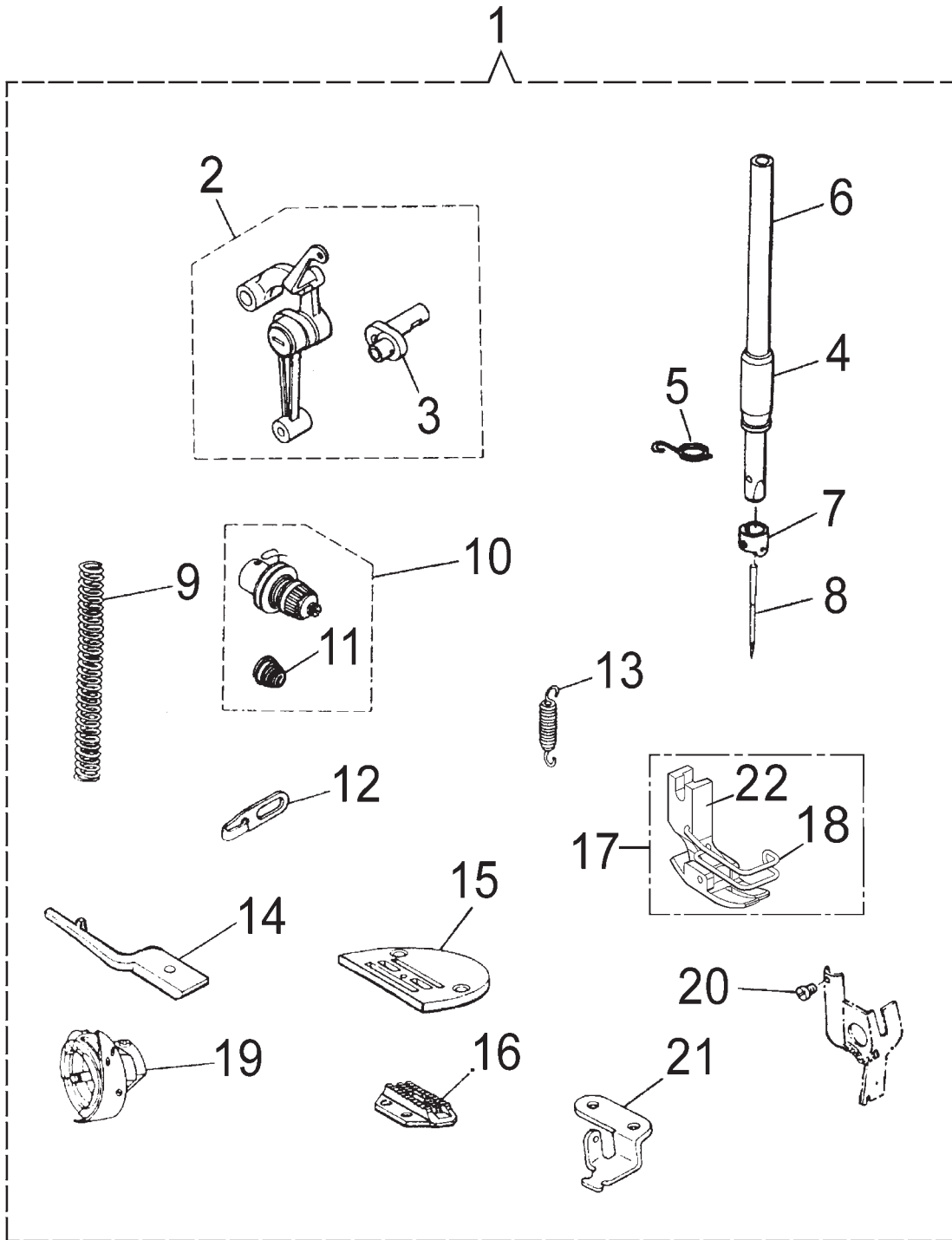
(薄料用)

序号	件号	Description	名称	Qty
1	0251 GR6281V5	For Light Weight Materials asm.	薄料专用部件	(1)
2	0251 GH577	Link thread take-up lever asm.	挑线杆部件	1
3	0251 GH578	Needle bar crank A	挑线曲柄	(1)
4	0251 GR6265	Feed dial	送料距旋钮	1
5	0251 GR3427V2	Presser spring	压脚扳手凸轮部件	1
6*	0251 GV16	Needle (DAX1#9)	机针(DAX1#9)	1
6**	0251 GV1007	Needle (134 Nm65)	机针(134 Nm65)	1
7	0251 GR6299V10	Thread tension asm.	夹线器部件	1
8	0251 GW1111	Take-up spring	挑线簧	(1)
9	0251 GW1112	Tension spring	夹线簧	(1)

* FOR ASIA 销往亚洲

** FOR EUROPE 销往欧洲

13. Model 251- 140040H
(For Heavy Weight Materials)
251-140040H型(厚料用)



13.Model 251- 140040H

13.251-140040H型

(For Heavy Weight Materials)

(厚料用)

序号	件号	Description	名称	Qty
1	0251 GR6282V17	For Heavy Weight Materials	厚料专用部件	(1)
2	0251 GH579V3	Link thread take-up lever asm.	挑线杆部件	1
3	0251 GH580	Needle bar crank H	挑线曲柄	(1)
4	0251 GO288	Needle bar bushing,lower	针杆下轴套	1
5	0251 GR1632	Needle bar thread guide	针杆下轴套线钩	1
6	0251 GZ1175	Needle bar	针杆	1
7	0251 GR3951	Needle bar thread guide	针杆线钩	1
8*	0251 GV17	Needle (DBX1#21)	机针 (DBX1#21)	1
9	0251 GW269	Presser spring	调压簧	1
10	0251 GR6300V10	Thread tension asm.	夹线器部件	1
11	0251 GW1113	Tension spring	夹线簧	(1)
12	0251 GR3952	Arm thread guide (HA)	右线勾	1
13	0251 GW440	Adjust link spring	摆动板座复位簧	1
14	0251 GR3434	Positioning finger	旋梭定位钩	1
15	0251 GM1076	Throat plate(H)	针板	1
16	0251 GM209	Feed dog(H)	送料牙	1
17	0251 GM1081V5	Hinged presser foot asm.	活压脚部件	1
18	0251 GR6266	Finger guard	保针架	(1)
19	0251 GN197	Hook asm	旋梭	1
20	0251 GS069	Screw 1/8-44 L=2.5	防油板螺钉 1/8-44 L=2.5	1
21	0251 GR3955	Feed spring hook	拉簧固定扳	1
22	0251 GM1085V4	Hinged presser foot branch asm.	活压脚分部件	(1)

* same as 134 Nm130 , 同134 Nm130

14.INDEX OF PARTS

14.索引

Part № 件号	Page № 页次 序号	Part № 件号	Page № 页次 序号	Part № 件号	Page № 页次 序号	Part № 件号	Page № 页次 序号
0251 GBR147	19 9	0251 GM204	11 40	0251 GR1524	11 46	0251 GR3378	11 28
0251 GBR148	19 20	0251 GM209	25 16	0251 GR1528	11 31	0251 GR3383	13 4
0251 GBS1003	19 3	0251 GN1033	9 1**	0251 GR1535	11 53	0251 GR3384	13 7
0251 GBS120	19 8	0251 GN1034	9 2**	0251 GR1561	15 24	0251 GR3385	13 15
0251 GBX108	17 10	0251 GN161	9 1*	0251 GR1562	15 25	0251 GR3387	13 23
0251 GC165	9 16	0251 GN162	9 2*	0251 GR1566	15 27	0251 GR3388	13 24
0251 GC166	9 18	0251 GN163	9 3	0251 GR1568	15 29	0251 GR3389V12	15 1
0251 GC167	9 23	0251 GN163	19 18	0251 GR1569	15 30	0251 GR3390	15 2
0251 GC168	9 24	0251 GN197	25 19	0251 GR1583	17 18	0251 GR3391	15 4
0251 GF424	19 19	0251 GO1092	5 4	0251 GR1601	19 15	0251 GR3392	15 6
0251 GH1101	13 12	0251 GO1093	5 6	0251 GR1602	19 16	0251 GR3393	15 7
0251 GH1123	3 15	0251 GO1094	13 16	0251 GR1603	19 17	0251 GR3394	15 8
0251 GH1131V8	3 33	0251 GO1135	7 10	0251 GR1604V3	19 21	0251 GR3395	15 10
0251 GH1132	17 12	0251 GO1137	3 5	0251 GR1625	21 12	0251 GR3396	15 11
0251 GH334	3 34	0251 GO1138	3 8	0251 GR1626	21 11	0251 GR3397	15 17
0251 GH563	3 19	0251 GO1139	3 10	0251 GR1632	25 5	0251 GR3400	15 22
0251 GH564V4	3 30	0251 GO1148	9 10	0251 GR1635	5 18	0251 GR3402V2	15 31
0251 GH566	3 21	0251 GO269	3 13	0251 GR1696	21 19	0251 GR3403	15 32
0251 GH568	11 6	0251 GO270	3 23	0251 GR1717	5 30	0251 GR3404	15 33
0251 GH569	11 18	0251 GO270	3 35	0251 GR1744	21 2	0251 GR3406	17 2
0251 GH570	11 43	0251 GO288	25 4	0251 GR1745	21 7	0251 GR3407	17 3
0251 GH571	11 48	0251 GO470	9 12	0251 GR1748	21 9	0251 GR3408	17 4
0251 GH572	11 50	0251 GO471	9 19	0251 GR1751	21 20	0251 GR3409	17 6
0251 GH574V2	13 20	0251 GO472	9 20	0251 GR1753	21 18	0251 GR3410	17 19
0251 GH577	23 2	0251 GO473	11 26	0251 GR1932	21 5	0251 GR3411V6	17 21
0251 GH578	23 3	0251 GO473	11 47	0251 GR2035	7 35	0251 GR3412	17 23
0251 GH579V3	25 2	0251 GO474	13 8	0251 GR2425	11 29	0251 GR3413	17 25
0251 GH580	25 3	0251 GO476	15 5	0251 GR3340	1 3	0251 GR3414	17 26
0251 GK1050	3 28	0251 GP1024	3 31	0251 GR3349	3 22	0251 GR3415	19 5
0251 GK1051	7 34	0251 GP1030	3 1	0251 GR3350	3 25	0251 GR3417	19 13
0251 GK1055	19 4	0251 GR1469	3 6	0251 GR3351	5 7	0251 GR3427V2	23 5
0251 GK1449	19 6	0251 GR1469	11 24	0251 GR3352	5 9	0251 GR3434	25 14
0251 GK239	1 2	0251 GR1469	11 54	0251 GR3354	5 14	0251 GR3951	25 7
0251 GL0114	7 2	0251 GR1470	3 11	0251 GR3355	5 16	0251 GR3952	25 12
0251 GL1037	5 27	0251 GR1471	3 14	0251 GR3357	5 31	0251 GR3955	25 21
0251 GL1038	21 17	0251 GR1472	3 17	0251 GR3358	7 6	0251 GR3958	17 24
0251 GL1040	1 22	0251 GR1478	5 1	0251 GR3359	7 8	0251 GR4012V2	19 7
0251 GL158	21 21	0251 GR1488	5 23	0251 GR3360	7 13	0251 GR4013	21 16
0251 GL21	17 15	0251 GR1489	5 24	0251 GR3361V2	7 15	0251 GR4014	21 15
0251 GL23	21 13	0251 GR1490	5 26	0251 GR3363	7 17	0251 GR4015	21 14
0251 GL7	11 52	0251 GR1494	7 3	0251 GR3364V3	7 18	0251 GR5013	1 21
0251 GM1068	11 37	0251 GR1503	7 16	0251 GR3366	7 21	0251 GR5254	11 9
0251 GM1073V3	11 39	0251 GR1510	7 20	0251 GR3367	7 22	0251 GR5255	11 10
0251 GM1076	25 15	0251 GR1510	7 24	0251 GR3368	7 26	0251 GR5791	1 14
0251 GM1077V5	7 11	0251 GR1510	7 27	0251 GR3369	7 28	0251 GR6003V4	11 32
0251 GM1081V5	25 17	0251 GR1510	13 13	0251 GR3370	7 31	0251 GR6005	3 4
0251 GM1084V4	7 36	0251 GR1515	9 9	0251 GR3371	9 5	0251 GR6011	15 19
0251 GM1085V4	25 22	0251 GR1519	9 14	0251 GR3373	11 4	0251 GR6162	1 6
0251 GM1086	11 35	0251 GR1524	11 23	0251 GR3376V2	11 13	0251 GR6163	1 8

Part № 件号	Page № 页次 序号	Part № 件号	Page № 页次 序号	Part № 件号	Page № 页次 序号	Part № 件号	Page № 页次 序号
0251 GR6164	1 9	0251 GS015	5 20	0251 GS0568	15 14	0251 GW1105	1 33
0251 GR6165	1 10	0251 GS0155	3 32	0251 GS0569	15 13	0251 GW1106	1 27
0251 GR6166	1 12	0251 GS016	5 21	0251 GS057	17 14	0251 GW1107	1 23
0251 GR6167	1 13	0251 GS0161	7 19	0251 GS0570	15 15	0251 GW1109	5 19
0251 GR6168	1 11	0251 GS0162	7 23	0251 GS0571	17 5	0251 GW1110	5 25
0251 GR6172	15 35	0251 GS020	7 12	0251 GS0572	17 13	0251 GW1111	23 8
0251 GR6174	5 5	0251 GS029	9 4	0251 GS0573	17 20	0251 GW1112	23 9
0251 GR6175	5 12	0251 GS03	3 2	0251 GS0574	19 10	0251 GW1113	25 11
0251 GR6179	5 33	0251 GS030	9 6	0251 GS0575	19 11	0251 GW253	7 4
0251 GR6180	7 33	0251 GS030	15 16	0251 GS0576	19 12	0251 GW257	13 6
0251 GR6181	9 26	0251 GS031	9 8	0251 GS06	3 16	0251 GW259	15 21
0251 GR6182	11 56	0251 GS033	7 7	0251 GS062	15 3	0251 GW269	25 9
0251 GR6183	13 1	0251 GS033	9 17	0251 GS062	15 23	0251 GW432	5 32
0251 GR6185	13 17	0251 GS033	13 19	0251 GS069	25 20	0251 GW433	7 25
0251 GR6186	13 27	0251 GS034	11 3	0251 GS071	5 10	0251 GW435	13 22
0251 GR6187	15 18	0251 GS037	11 44	0251 GS072	11 36	0251 GW436	13 26
0251 GR6188V2	15 26	0251 GS04	1 25	0251 GS082	9 15	0251 GW437	15 12
0251 GR6191V2	19 1	0251 GS04	3 26	0251 GS09	3 27	0251 GW438	17 16
0251 GR6193	19 2	0251 GS042	5 2	0251 GS092	11 34	0251 GW440	25 13
0251 GR6196V37	21 1	0251 GS044	11 38	0251 GS39	3 7	0251 GX1029	11 7
0251 GR6199	21 6	0251 GS044	19 22	0251 GS39	3 20	0251 GX1030	11 11
0251 GR6201	1 31	0251 GS045	11 42	0251 GS39	11 25	0251 GX1031	11 19
0251 GR6204V5	1 18	0251 GS049	11 49	0251 GS39	11 55	0251 GX1127	21 10
0251 GR6205V2	1 19	0251 GS050	13 18	0251 GS44	15 34	0251 GX1129	3 24
0251 GR6238	9 25	0251 GS053	1 4	0251 GS48	5 28	0251 GX1130	17 11
0251 GR6242	7 32	0251 GS053	9 13	0251 GS48	11 15	0251 GX334	3 12
0251 GR6245	1 5	0251 GS053	9 21	0251 GS48	11 17	0251 GX418	11 33
0251 GR6247V6	11 1	0251 GS054	15 20	0251 GS5054	1 15	0251 GX567	5 22
0251 GR6250V17	1 16	0251 GS0548	1 1	0251 GS5186	3 29	0251 GX568	5 29
0251 GR6257	1 29	0251 GS0549	3 9	0251 GS5186	5 13	0251 GX573	11 14
0251 GR6261	1 30	0251 GS0550	3 18	0251 GS5186	5 34	0251 GX573	11 16
0251 GR6265	23 4	0251 GS0551	15 28	0251 GS5187	1 26	0251 GX576	13 5
0251 GR6266	25 18	0251 GS0552	5 15	0251 GS5188	1 32	0251 GX577	13 10
0251 GR6281V5	23 1	0251 GS0552	5 17	0251 GS5198	1 7	0251 GZ1027	13 14
0251 GR6282V17	25 1	0251 GS0553	7 1	0251 GS554	15 9	0251 GZ1150	5 8*
0251 GR6283V8	11 27	0251 GS0554	7 14	0251 GS558	21 8	0251 GZ1152	1 20
0251 GR6284	1 24	0251 GS0557	7 29	0251 GS584	17 27	0251 GZ1174	5 8**
0251 GR6286	17 9	0251 GS0558	7 30	0251 GS69	11 30	0251 GZ1175	25 6
0251 GR6287	17 8	0251 GS0559	9 11	0251 GT198	11 2	0251 GZ275	7 5
0251 GR6291V22	17 1	0251 GS0560	11 8	0251 GU168	5 3	0251 GZ315	21 3
0251 GR6298V10	5 35	0251 GS0560	11 12	0251 GV1006	5 11**	0251 GZ316	21 4
0251 GR6299V10	23 7	0251 GS0560	11 20	0251 GV1006	19 14	0251 GZ431	3 3
0251 GR6300V10	25 10	0251 GS0561	11 21	0251 GV1007	23 6**	0251 GZ434	9 7
0251 GR6301	17 7	0251 GS0562	11 51	0251 GV15	5 11*	0251 GZ435	9 22
0251 GRD1087	11 57	0251 GS0563	13 2	0251 GV15	19 14	0251 GZ436	11 22
0251 GRD1172	1 17	0251 GS0564	13 3	0251 GV16	23 6*	0251 GZ437	11 45
0251 GS0100	7 9	0251 GS0565	13 9	0251 GV17	25 8	0251 GZ439	17 17
0251 GS011	11 5	0251 GS0566	13 21	0251 GW1096	11 41	0251 GZ440	17 22
0251 GS011	13 11	0251 GS0567	13 25	0251 GW1104	1 28		