

PFAFF

-926/06

Supplement to the
Instruction Manual and
Parts List

for the PFAFF 1051, 1053
1181, 1183,
2481

The reprinting, copying or translation of PFAFF Instruction Manuals, whether in whole or in part, is only permitted with our previous permission and with written reference to the source.

G.M. PFAFF KAISERSLAUTERN
INDUSTRIEMASCHINEN AG

Postfach 3020
D-67653 Kaiserslautern
Königstr. 154
D-67655 Kaiserslautern

Editing/Illustrations
HAAS-Publikationen GmbH
D-53840 Troisdorf

	Contents	Chapter - Page
1	Safety	1 - 1
1.01	Directives	1 - 1
1.02	General notes on safety	1 - 1
1.03	Safety symbols	1 - 2
2	Control elements	2 - 1
2.01	Control device for remaining bobbin thread	2 - 1
2.02	Pedal	2 - 1
3	Setting up	3 - 1
3.01	Winding the bobbin thread / regulating the winder tension	3 - 1
3.02	Inserting the bobbin in the bobbin case	3 - 2
3.03	Inserting the thread in the bobbin case / regulating the bobbin thread tension	3 - 2
4	Sewing	4 - 1
4.01	Sewing with bobbin thread monitoring function	4 - 1
4.02	Sewing with bobbin thread counter function	4 - 2
5	Adjustments	5 - 1
5.01	Parameter settings.....	5 - 1
6	Parts list	6 - 1

1 Safety

1.01 Directives

This machine is constructed in accordance with the European regulations contained in the conformity and manufacturer's declarations.

In addition to this Instruction Manual, also observe all generally accepted, statutory and other regulations and legal requirements and all valid environmental protection regulations!

The regionally valid regulations of the social insurance society for occupational accidents or other supervisory organizations are to be strictly adhered to!

1.02 General notes on safety

- This machine may only be operated by adequately trained operators and only after having completely read and understood the Instruction Manual!
- All Notes on Safety and Instruction Manuals of the motor manufacturer are to be read before operating the machine!
- The danger and safety instructions on the machine itself are to be followed!
- This machine may only be used for the purpose for which it is intended and may not be operated without its safety devices. All safety regulations relevant to its operation are to be adhered to.
- When exchanging sewing tools (e.g. needle, roller presser, needle plate and bobbin), when threading the machine, when leaving the machine unattended and during maintenance work, the machine is to be separated from the power supply by switching off the On/Off switch or by removing the plug from the mains!
- Everyday maintenance work is only to be carried out by appropriately trained personnel!
- Repairs and special maintenance work may only be carried out by qualified service staff or appropriately trained personnel!
- Work on electrical equipment may only be carried out by appropriately trained personnel!
- Work is not permitted on parts and equipment which are connected to the power supply! The only exceptions to this rule are found in the regulations EN 50110.
- Modifications and alterations to the machine may only be carried out under observance of all the relevant safety regulations!
- Only spare parts which have been approved by us are to be used for repairs! We expressly point out that any replacement parts or accessories which are not supplied by us have not been tested and approved by us. The installation and/or use of any such products can lead to negative changes in the structural characteristics of the machine. We are not liable for any damage which may be caused by non-original parts.

1.03 Safety symbols



Danger!
Points to be observed.



Danger of injury for operating and specialist personnel!

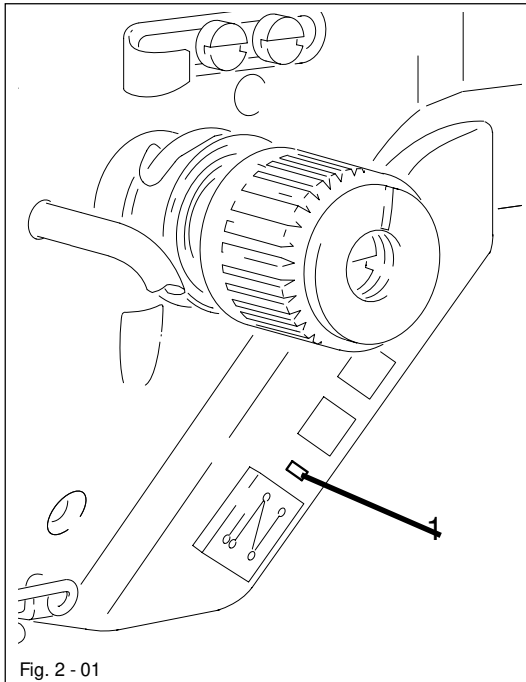


Caution

Do not operate without finger guard and safety devices.
Before threading, changing bobbin and needle, cleaning etc. switch off main switch.

2 Control elements

2.01 Control device for remaining bobbin thread



Bobbin thread monitor

- When the use of the last amount of the remaining thread supply begins, the LED 1 starts flashing.
- When the remaining thread supply has been used up, the LED 1 lights up permanently until the bobbin has been changed.

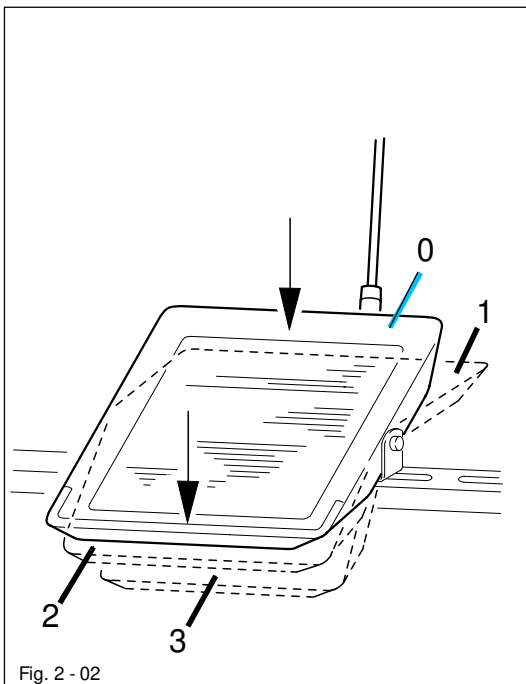
Bobbin thread counter

- When the thread counter reaches its end, the LED 1 starts flashing.
- If sewing continues without the bobbin being changed, the LED 1 remains on permanently until the bobbin is changed.



To select thread monitoring or thread counting see Chapter 5.01 Parameter settings.

2.02 Pedal



0 = Neutral position

1 = Sewing

2 = Raise presser foot

3 = Trim sewing threads / reset bobbin thread monitor or bobbin thread counter

3 Setting up

3.01 Winding the bobbin thread / regulating the winder tension

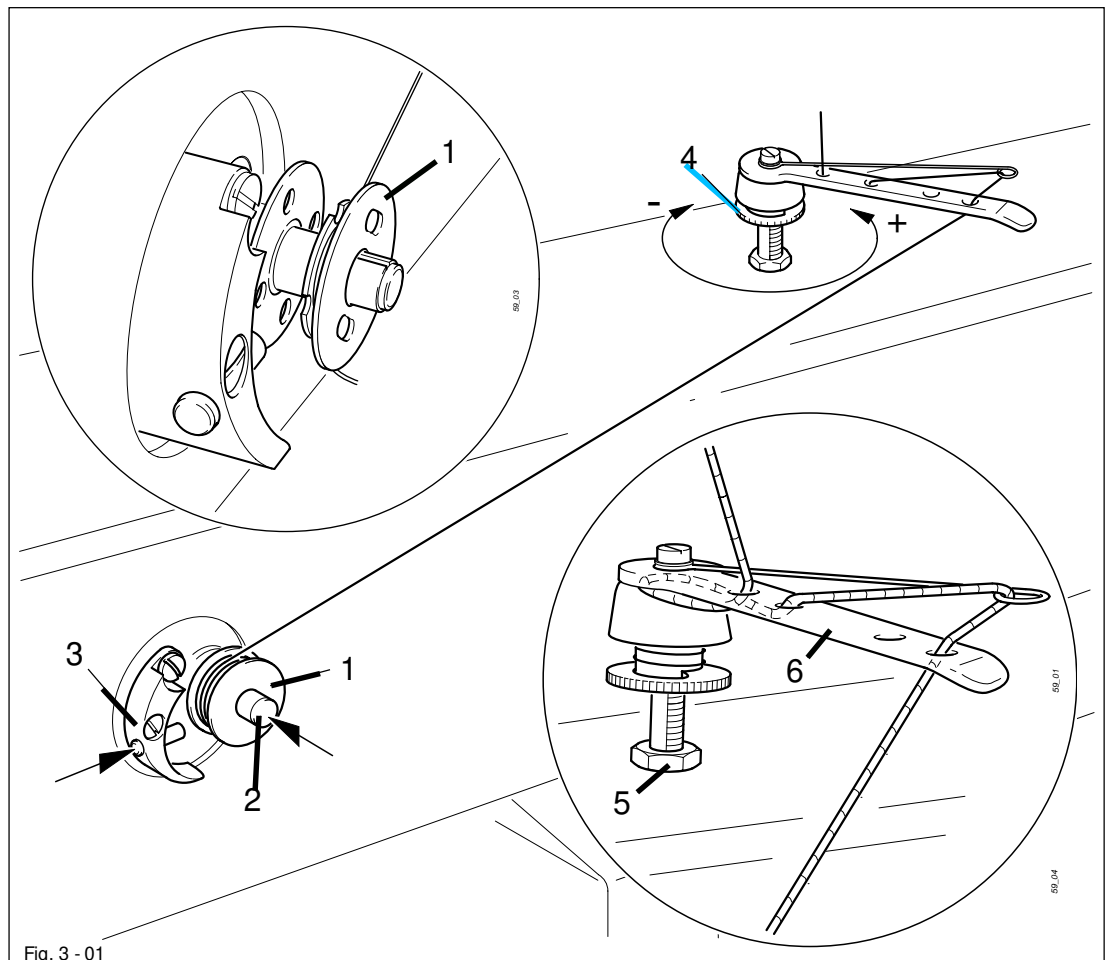


Fig. 3 - 01

- Place empty bobbin 1 on winder spindle 2 with the residual thread chamber pointing to the outside.
- Insert the thread as shown in Fig. 3 - 01 and wind the thread a few times clockwise around bobbin 1.
- Engage the bobbin winder by pressing spindle 2 and lever 3 simultaneously.



The bobbin fills during sewing.



If the machine is only operated in order to fill the bobbin (without sewing), a bobbin case must be inserted in the hook!

If this is not done, a jammed thread may damage the hook!

- The tension of the thread wound onto bobbin 1 can be set with milled screw 4.
- The bobbin winder stops automatically when sufficient thread has been wound onto bobbin 1.

If the thread is wound unevenly:

- Loosen nut 5.
- Turn thread guide 6 as required.
- Tighten nut 5 again.

3.02 Inserting the bobbin in the bobbin case

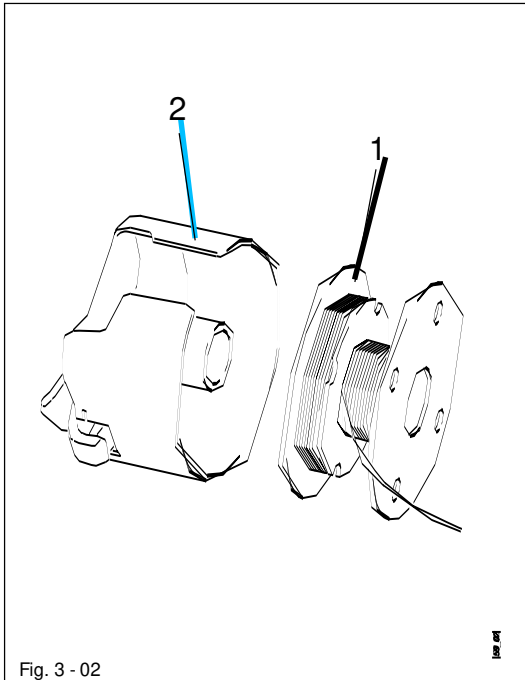


Fig. 3 - 02

- Insert bobbin 1 in the bobbin case 2 as shown in Fig. 3 - 02.

3.03 Inserting the thread in the bobbin case / regulating the bobbin thread tension

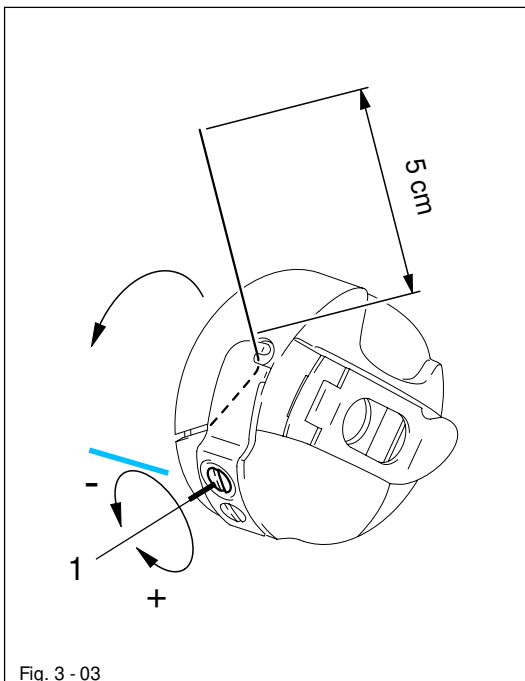


Fig. 3 - 03

- Guide the thread through the slit and below the spring as shown in Fig. 3 - 03.
- Adjust the thread tension by turning screw 1.



When the thread is pulled, the bobbin must move in the direction of the arrow.

4 Sewing

4.01 Sewing with bobbin thread monitoring function



The bobbin thread monitoring function via sensor is activated, when parameter "660" is set at value "1". The number of stitches, which can be sewn with the remaining thread, is entered under parameter "760", after the bobbin thread monitoring function has responded.

You will find more information about parameter settings in Chapter 5.01 Parameter Settings.

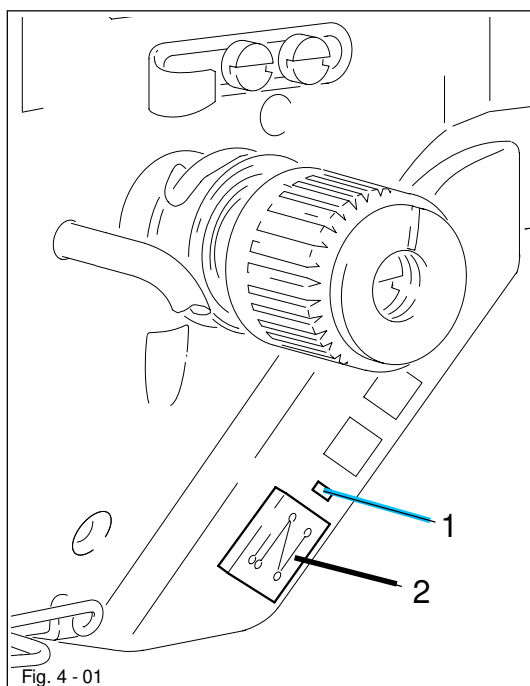


Fig. 4 - 01

- If, during sewing, the bobbin thread monitor recognises that the residual thread supply is being used, LED 1 starts flashing.

Sewing can continue without a bobbin change. From this point on the pre-set number of stitches, which can be sewn with the remaining thread, are counted.

- Once this number of stitches has been sewn, the machine stops automatically and LED 1 lights up permanently. The bobbin must be changed.
- After the bobbin has been changed, the bobbin thread monitoring function is reset with pedal function "3", see Chapter 2.02 Pedal.



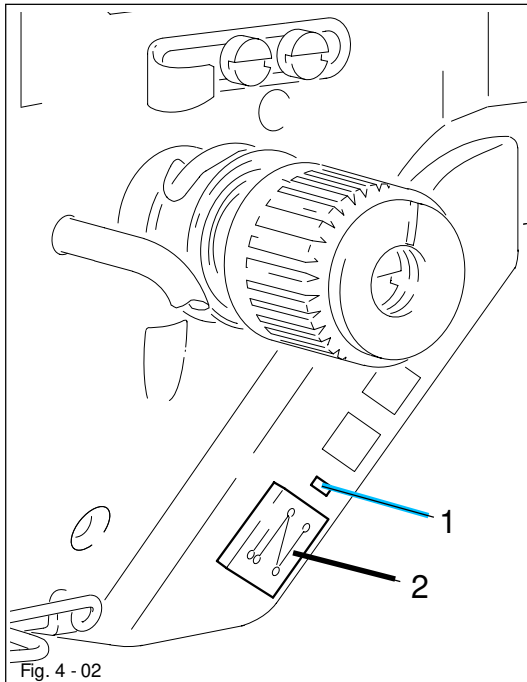
By pressing key 2 and at the same time activating pedal function "3", the bobbin thread monitoring function can be reset at any time.

Sewing with bobbin thread counter function



The bobbin thread monitoring function via counter is activated, when parameter "660" is set at value "2". The total number of stitches, which can be sewn with one bobbin, is entered under parameter "760".

You will find more information about parameter settings in Chapter 5.01 Parameter Settings.



- Once the total number of stitches has been sewn, the machine stops automatically and LED 1 starts flashing.
- If sewing continues without a bobbin change, LED 1 lights up permanently.
- After the bobbin has been changed, the bobbin thread counter function is reset to the pre-set value with pedal function "3", see Chapter 2.02 Pedal.



By pressing key 2 and at the same time activating pedal function "3", the bobbin thread counter function can be reset at any time.

5 Adjustments

5.01 Parameter settings

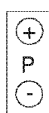
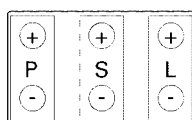
5.01.01 Selecting and altering parameters

- Switch on the machine.



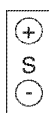
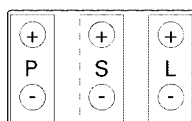
- Press the Parameter input key (LED on).

100



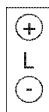
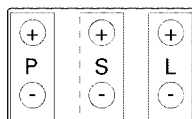
- By pressing +/- on the P key select the desired group, e.g. "700".

700



- By pressing +/- on the S key select the desired parameter, e.g. "760".

760



- Set the desired value (e.g. number of stitches for bobbin thread monitor function) by pressing +/- (L key).



- Save the input by ending the parameter input (LED off).

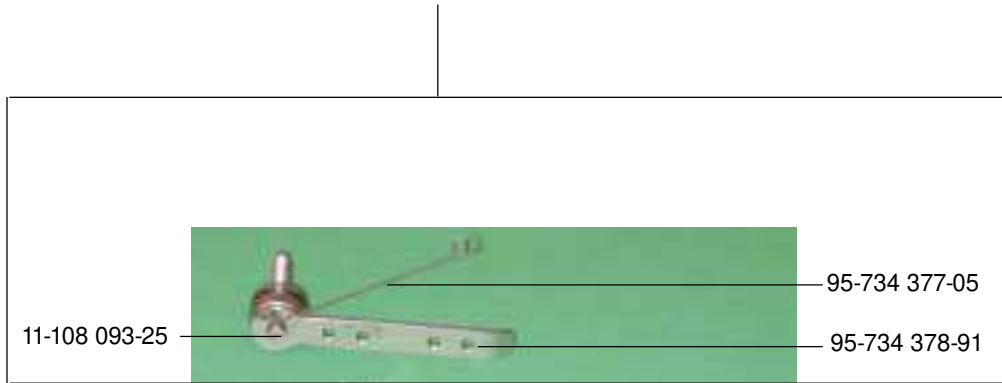


For further displays and information see the Motor Service Manual.

Parts list

PFAFF 1051;1053
PFAFF 1181;1183
PFAFF 2481

95-734 419-91



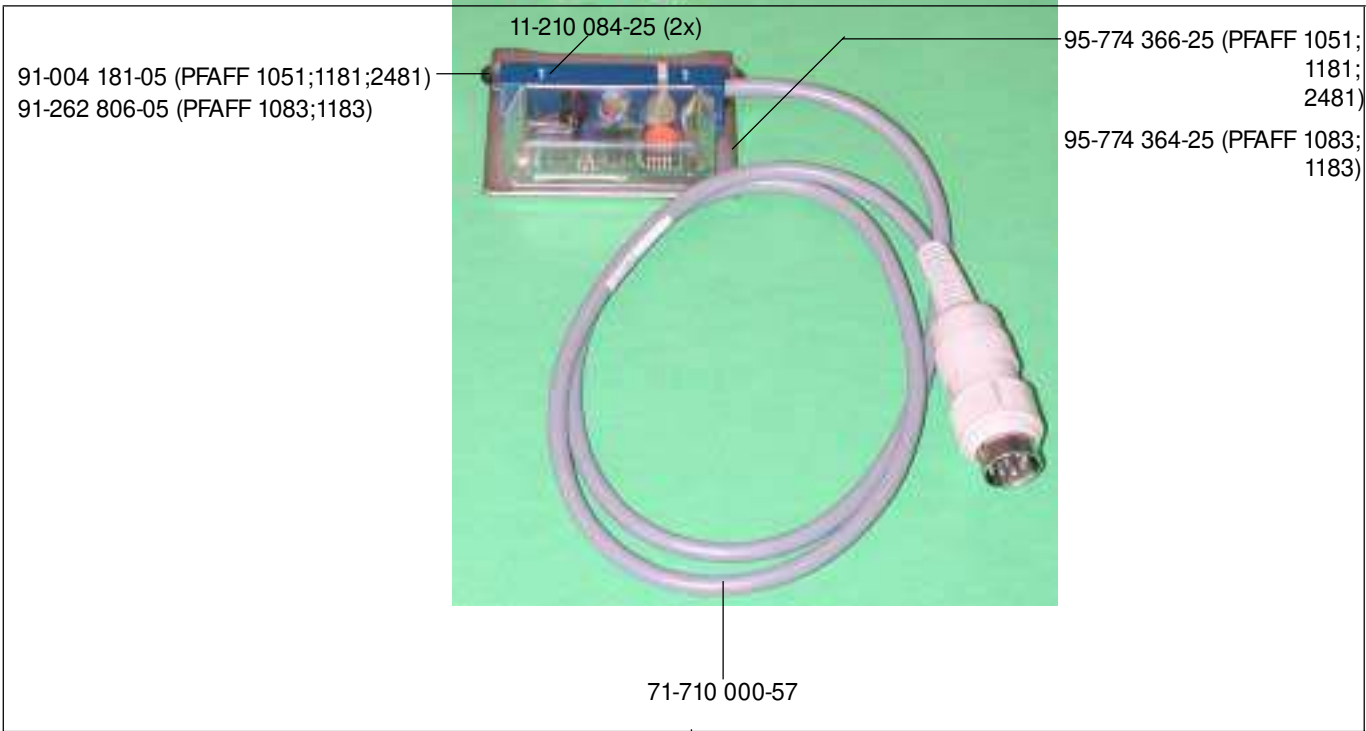
11-108 093-25

95-734 377-05

95-734 378-91



95-774 361-05



91-004 181-05 (PFAFF 1051;1181;2481)
91-262 806-05 (PFAFF 1083;1183)

11-210 084-25 (2x)

95-774 366-25 (PFAFF 1051;
1181;
2481)

95-774 364-25 (PFAFF 1083;
1183)

71-710 000-57

95-774 365-91 (PFAFF 1051;1181;2481)
95-774 362-91 (PFAFF 1083;1183)

PFAFF 1051;1053
PFAFF 1181;1183

95-784 322-91



PFAFF 2481

95-784 314-91



91-291 973-91



PFAFF