

SPARE PARTS CATALOGUE

class 229-00-05

and subclasses



I. HOW TO USE THIS CATALOGUE

a) Introduction

1. This spare parts catalog is made up of a series of tables illustrating the various parts or assemblies which make up the basic head and its sub-classes.
2. In order to make the use of this catalogue easier, the table index shows the position of each assembly inside the head.
3. The conversion assemblies of the basic head and its sub-classes are illustrated in single tables.
4. In the tables, the numbers which identify the sub-classes are printed at top right of page in black.
5. On each table the various components of the assembly illustrated, are cross-referenced by a number. The assemblies, whose components cannot be supplied separately, are cross-referenced by a capital letter. Parts and equipment not normally with the machines but which can be supplied on request, are given at the bottom of each table and are illustrated complete with all their particulars at the end of the book.
6. The catalogue has a general numerical index giving the cross-reference numbers of all component parts of the machine and listing the table on which the parts are illustrated.

II. HOW TO ORDER SPARE PARTS

a) All parts

To ensure immediate dispatch of required spare parts, the following instructions should be carefully followed:

1. Quote the serial number of the head.
2. Quote the drawing number of the part required.
3. Give the full name of the part required.
4. The quantity.

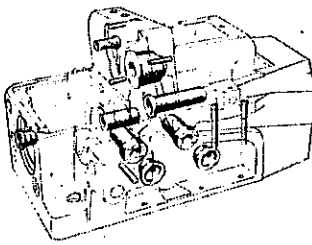
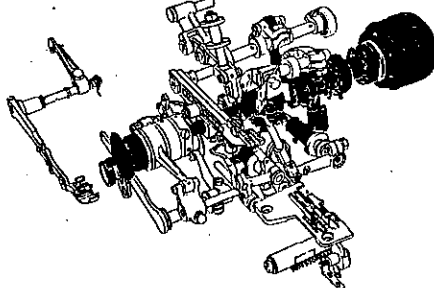
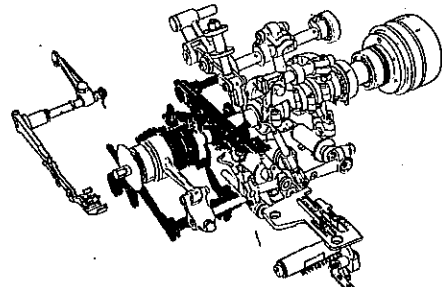
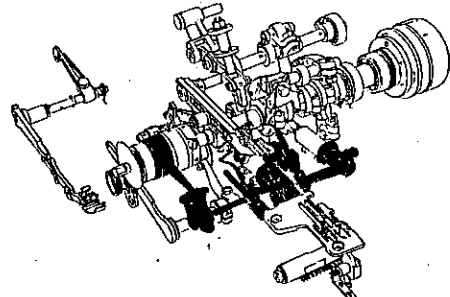
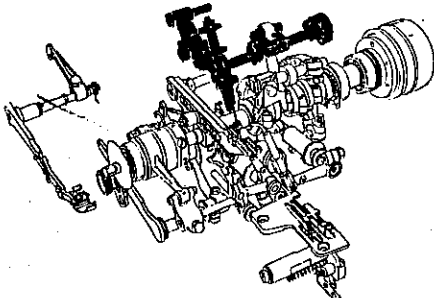
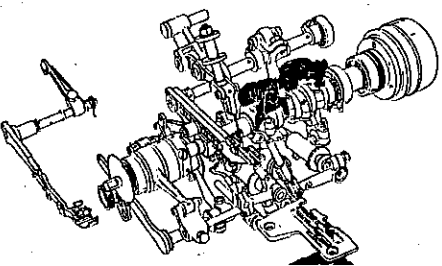
IMPORTANT

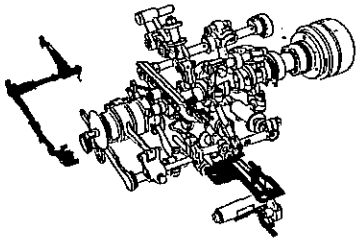
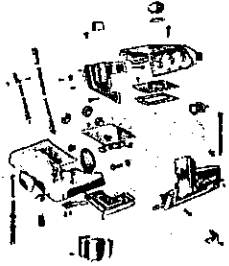
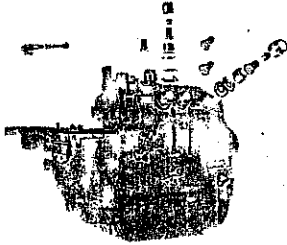
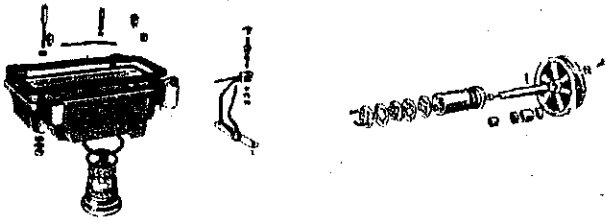
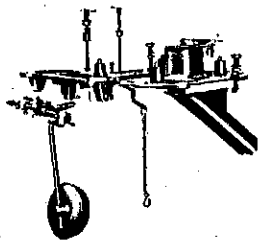
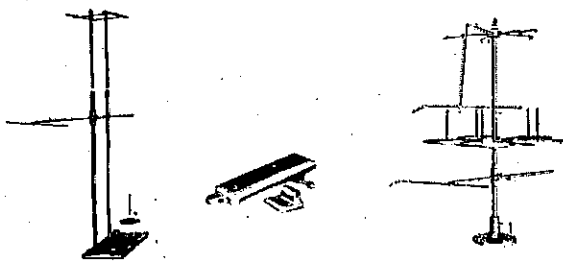
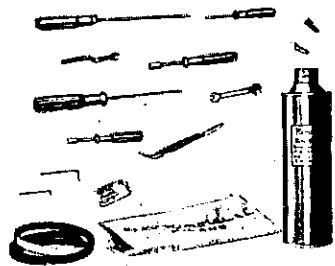
The RIMOLDI Company likes to analyse any cases of breakage, wear or irregularities arising in parts manufactured by them. For this reason they kindly ask you to return such pieces along with the order for spare parts.

b) Needles only

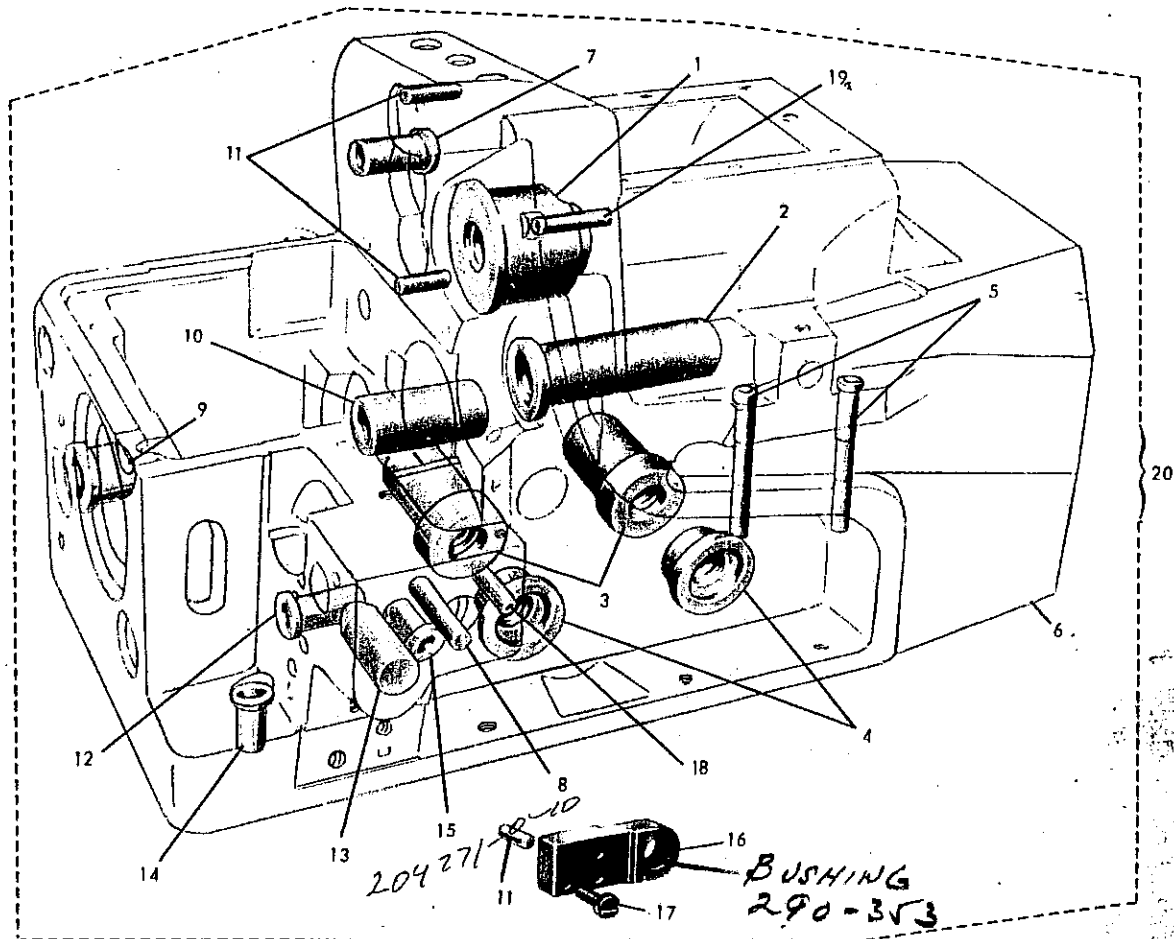
1. Only straight system RIM 27 needles should be used on the machines illustrated in this manual.
2. The needle system and size are marked on the needle shank.
3. The size indicates the average diameter expressed in hundredths of a millimeter calculated on the blade of the needle.
4. The system and size are also shown on the packets containing RIMOLDI needles.
5. When ordering always give the system and size of the needle required (e.g. n. 100 needles size 90 system RIM 27).
6. In case of doubt send a sample needle or an empty packet of the type required.
7. For stitching elastic or elasticised materials there are ball point needles classified SKU.

INDEX OF TABLES

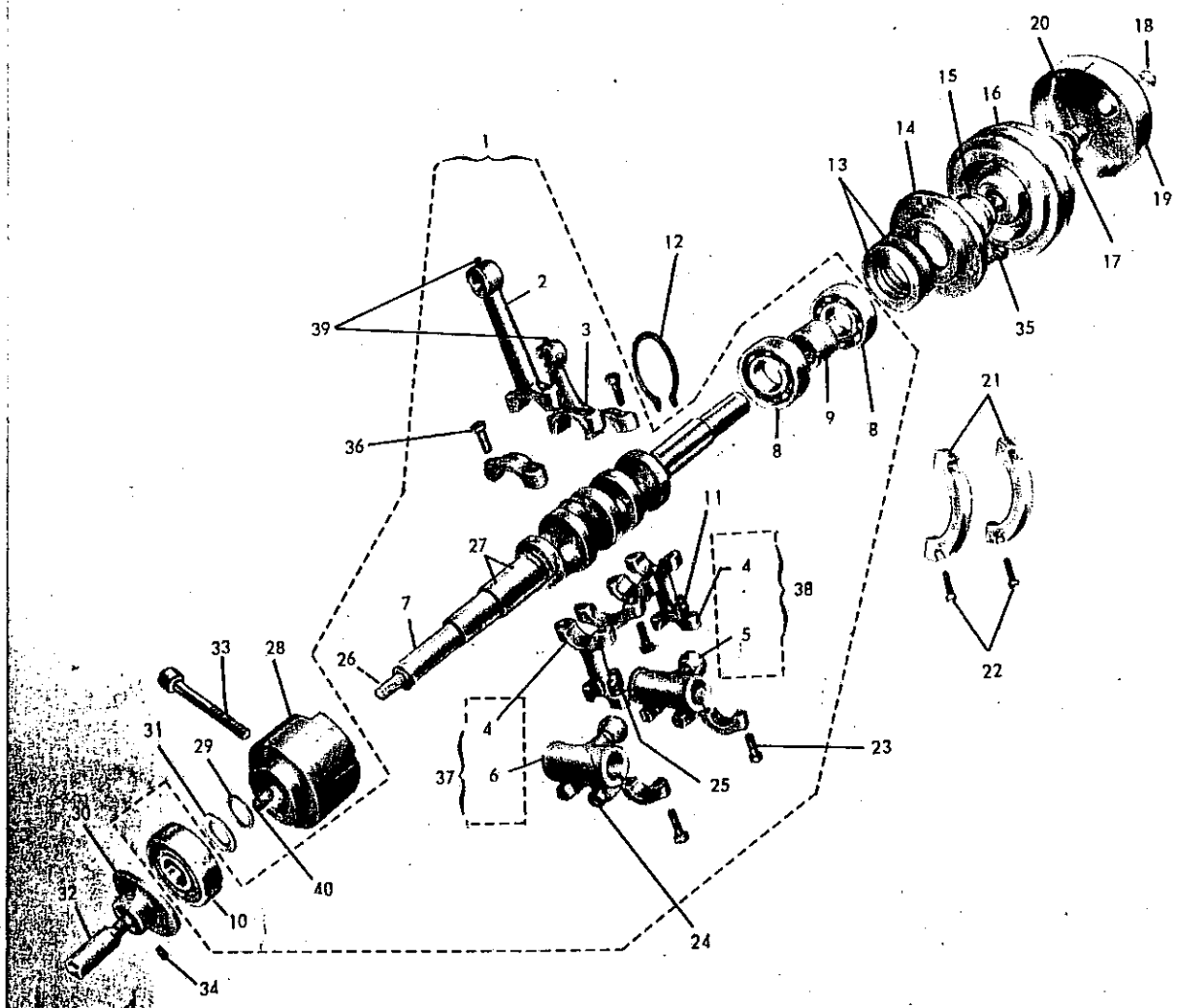
<p>BUSHES – THREAD GUIDES STUDS PRESSED INTO THE BASE</p>	<p>Tav. 1</p> 
<p>MAIN SHAFT WITH CON – RODS</p>	<p>Tav. 2</p> 
<p>DIFFERENTIAL ASSEMBLY</p>	<p>Tav. 3</p> 
<p>SHAFTS AND CON – RODS OPERATING LOOPER</p>	<p>Tav. 4</p> 
<p>NEEDLE DRIVE MECHANISM</p>	<p>Tav. 5</p> 
<p>UPPER AND LOWER KNIFE MECHANISM</p>	<p>Tav. 6</p> 

<p>PRESSERFOOT LIFTING MECHANISM – NEEDLE PLATE</p>	<p>Tav. 7</p> 
<p>CASING – WORK PLATE</p>	<p>Tav. 8</p> 
<p>THREAD GUIDES AND TENSIONERS</p>	<p>Tav. 9</p> 
<p>SUMP AND OIL PUMP</p>	<p>Tav. 10</p> 
<p>MACHINE MOUNTING BRACKET AND KNEE CONTROL</p>	<p>Tav. 11</p> 
<p>REEL HOLDERS AND PEDAL</p>	<p>Tav. 12</p> 
<p>ACCESSORIES</p>	<p>Tav. 13</p> 

HEAD 229-00-01	Tab. 14	HEAD 229-23-01	Tab. 27
HEAD 229-00-02	Tab. 15	HEAD 229-23-02	Tab. 28
HEAD 229-00-03	Tab. 16	HEAD 229-23-03	Tab. 29
HEAD 229-00-04	Tab. 17	HEAD 229-23-04	Tab. 30
HEAD 229-00-06 <i>229-00-10</i>	Tab. 18	ELECTROMAGNETIC CHAIN CUTTING ATTACHMENT (W1) 100	Tab. 31
HEAD 229-00-07	Tab. 19	TABLE FOR PARTICULARS SUPPLIED ONLY ON REQUEST	Tab. 32
HEAD 229-00-08	Tab. 20		
HEAD 229-00-09 229	Tab. 21		
HEAD 229-13-01	Tab. 22		
HEAD 229-22-01	Tab. 23		
HEAD 229-22-02	Tab. 24		
HEAD 229-22-03	Tab. 25		
HEAD 229-22-04	Tab. 26		



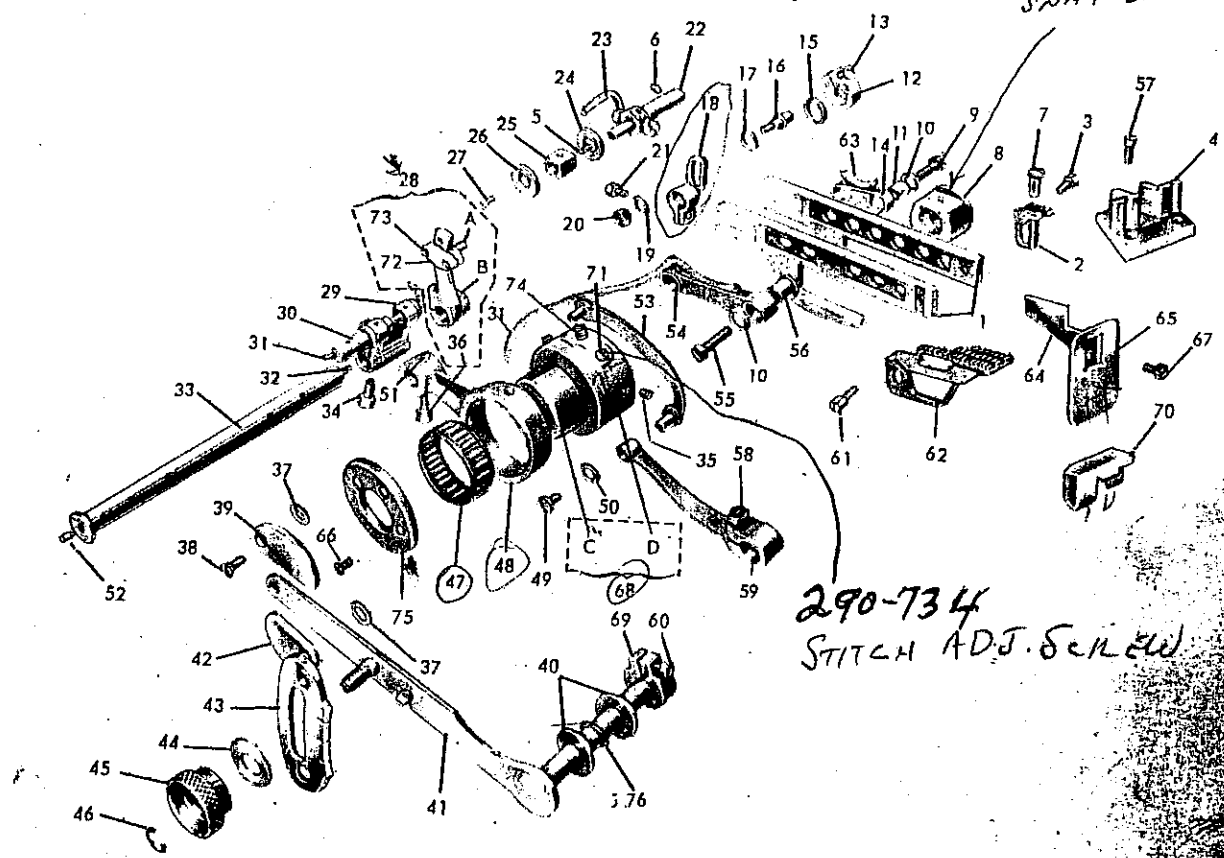
REF. N°	PART. N°	DESCRIPTION	QUANT.	REF. N°	PART. N°	DESCRIPTION	QUANT.
1	270-016	bushing, needle bar shaft	1	11	270-642	pins	3
2	270-097/1	bush, upper knife holder	1	12	290-351	bush, for shaft with fork	1
3	270-058/1	rear bushes, for looper shafts	2	13	290-916	plug, for push button needle control hole	1
4	270-057/1	front bushes, for looper shafts	2	14	290-357	bush, threaded	1
5	270-268	guide tubes, for looper threads	2	15	290-354	bush, rear	1
6	290-002/1	base, machine	1	16	PM. 290-315	bracket, with front bush	1
7	270-082/1	bush, for presserfoot lifter arm	1	17	001-E-18	screw, bracket fixing	2
8	270-912	pin, work plate locating	1	18	290-396	tube, oil wick	1
9	270-044/2	bush, differential shaft	1	19	270-264	guide, needle thread	1
10	270-042/3	right bush, for differential	1	20	G.290-002/1	base, complete with bushes, thread guides and tubes.	1



REF. N°	PART. N°	DESCRIPTION	QUANT.	REF. N°	PART. N°	DESCRIPTION	QUANT.
1	<i>G 270</i> RM. 287-009/4	shaft, main, complete with con rods	1	21	270-617/2	balancers	2
2	280-012/3	con rod, needle bar	1	22	270-999	screws, balancer attaching	4
3	270-116/2	con rod, knife bar	1	23	010-H-13,7	bolts, con rod	4
4	270-061/2	con rod, upper looper	2	24	270-975	bolts, sleeve coupling	4
5	270-060/1	sleeve coupling, upper looper con rod	2	25	004-E-7	screw, con rod guide fixing	2
6	270-059/1	sleeve coupling, lower looper con rod	1	26	092-D-14	wick, shaft	1
7	270-009/4	shaft, main	1	27	092-C-2	wick	2
8	270-707	ball race, right	2	28	270-010/2	bush, intermediate	1
9	270-613	spacer, bearing	1	29	074-A-12	washer, for differential	1
10	270-709	ball race, left	1	30	290-3081	cam, thread take-up	1
11	270-062	guide, con rod	2	31	073-M-10	washer, main shaft	1
12	270-704	Seeger ring for right bearing	1	32	290-307	shaft, cam	1
13	270-705	spring, cup	4	33	290-938	bolt, intermediate bush fixing	1
14	270-620	flange, right side	1	34	017-C-3	screw, cam fixing	2
15	270-614	right spacer, for main shaft	1	35	001-E-10	screw, right side flange	3
16	270-008/1	pulley	1	36	010-D-11,5	bolt, looper con rod	8
17	270-612/1	washer, with guide	1	37	PM.270-059/1	sleeve coupling, complete	1
18	270-981	screw, pulley fixing	1	38	PM.270-060/1	sleeve coupling, complete	1
19	128-608/5	cover, pulley	1	39	017-C-4,5	screws, gudgeon pin locking	2
20	270-610	shaft, pulley	1	40	290-726	plug, rubber	1

N.B. Ball races ref. 8 can be supplied as separate spares but when ordering it is essential to give the selection number stamped in roman numerals on the outer ring of the ball race.

202355-0-11
WITH SLOT FOR
SNAP ON RING



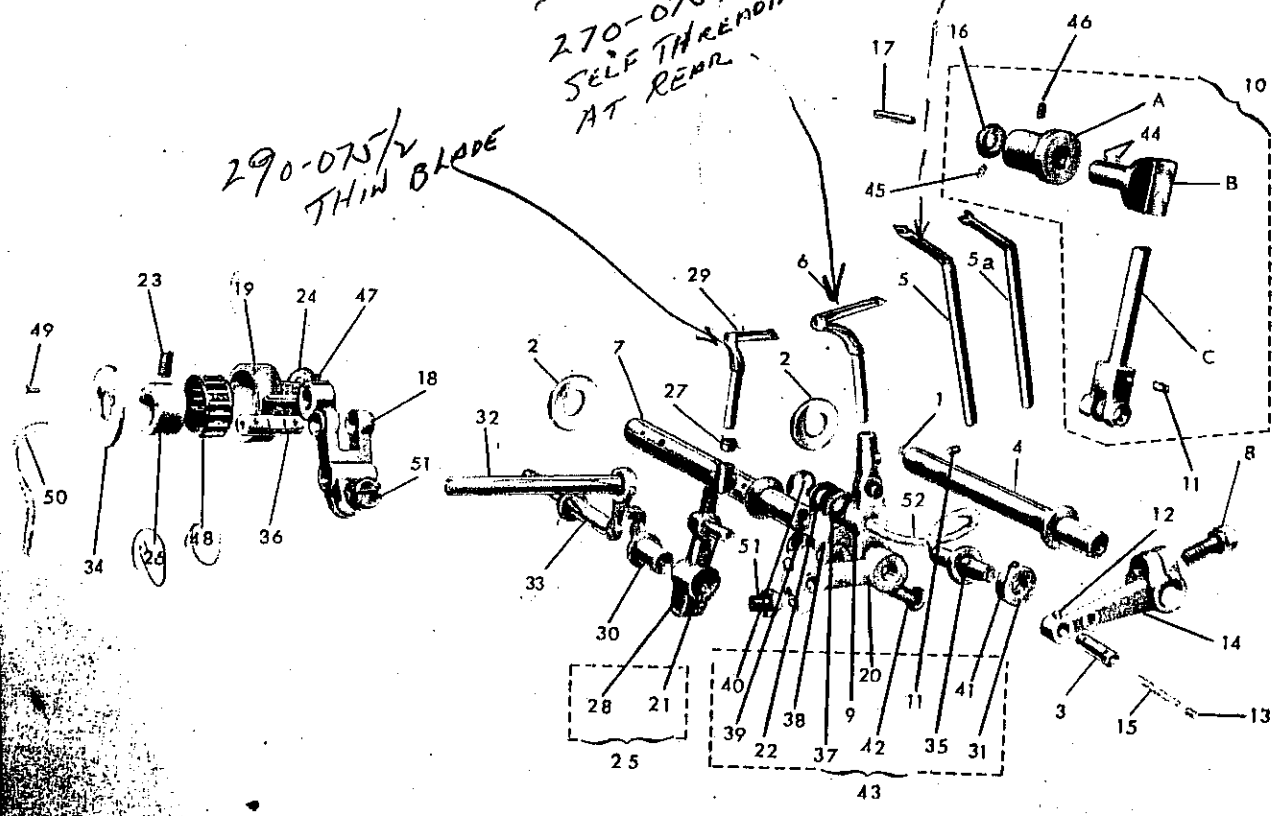
290-734
STITCH ADJ. SCREW

REF. N°	PART. N°	DESCRIPTION	QUANT.	REF. N°	PART. N°	DESCRIPTION	QUANT.
1	PM.270-049/1	slides, differential	1	40	073-A-8	washer, differential shaft	2
2	297-051	feed dog, subsidiary	1	41	PM.270-562/2	shaft, diff. control complete	1
3	270-977	screw, subsidiary feed dog fixing	1	42	270-288/1	segment lower diff. stroke limiting	1
4	270-640/3	guide bracket, right diff.	1	43	270-567	segment, with adjustment index	1
5	092-B-1	wick	4	44	065-D-6	washer, for knob	1
6	270-937/1	screw, diff. shaft fixing	1	45	270-568	knob, knurled for locking diff. control lever	1
7	272-B-052	feed dog, chaining	1	46	270-702	spring ring	1
8	270-611/1	sliding block, for diff. slides	1	47	290-703	cage, roller bearing for stitch regulating	1
9	270-979	screw diff. joint fixing	1			con rod	1
10	070-M-4,5	washer, diff. joint	2	48	290-037	con rod, differential control	1
11	270-035	bush, diff. slide	1	49	270-984	screw, diff. lever	1
12	270-717	collar	1	50	070-B-3	washer, diff. lever	1
13	270-927	screw, collar locking	1	51	023-N-5,5	screw, gudgeon pin fixing	1
14	270-048	joint subsidiary feed dog slide	1	52	270-915	plug differential shaft	1
15	073-C-8	rear differential pin washer	1	53	PM.270-045/2	attachment, differential segment	1
16	270-0541	pin, differential ratio increaser	1	54	270-033/1	joint, differential slide	1
17	071-M-5,5	washer, differential ratio increase	1	55	270-980	screw, diff. joint fixing	1
18	270-047/2	segment, differential ratio increaser	1	56	270-034	bush, diff. slide	1
19	070-F-4	washer, diff. ratio pin	1	57	005-L-11	screw for bracket	2
20	057-G-4	nut for pin 270-0541	1	58	270-997	screw diff. control lever	1
21	270-975	screw segment	1	59	270-566/1	lever, diff. segment control	1
22	270-039	shaft, eccentric diff.	1	60	007-C-11	screw, collar	1
23	092-D-11	wick, eccentric shaft	1	61	270-978	screw, main feed dog fixing	1
24	071-H-5	washer, diff. shaft	1	62	297-050/1	feed dog main	1
25	270-0361	block, diff. sliding	1	63	092-D-4	wick for diff. joint	1
26	270-935	washer shouldering	1	64	270-249/1	cover protecting upper knife holder	1
27	026-C-7	screw shouldering washer	1	65	270-250/2	protectors rubber for feed dogs	1
28	PM.270-038/3	segment cursor	1	66	028-A-5	screw fixing washer	3
29	270-040	connector for adjustable eccentric con rod	1	67	004-L-7	screw protector fixing	3
30	270-031/1	gudgeon pin for attaching fork	1	68	290-732 G	body and slide adjustable eccentric	1
31	092-D-6	wick gudgeon pin	3	69	4030-06	collar cursor shaft	1
32	092-D-12	wick diff. rear shaft	1	70	270-253	gasket slide guide	1
33	270-041/1	shaft differential rear	1	71	290-734	screw adjusting	1
34	250-471	screw connector	1	72	270-032/3	plate diff. cursor	1
35	017-E-8	screw adjustable eccentric fixing	2	73	004-P-6	screw cursor plate fixing	2
36	039-H-9	screw for diff. control segment	1	74	003-B-6	screw for eccentric slide	1
37	064-F-5	washers differential stroke limiting segment	2	75	290-715	washer adjustable eccentric slide	1
38	270-992	screws differential segment	2	76	270-595	gasket	1
39	270-287/1	segment upper diff. stroke limiting	1	A	270-046/3	cursor differential	3
				B	270-038/3	segment differential	1
				C	290-733	slide adjustable eccentric	1
				D	290-732	body adjustable eccentric	1

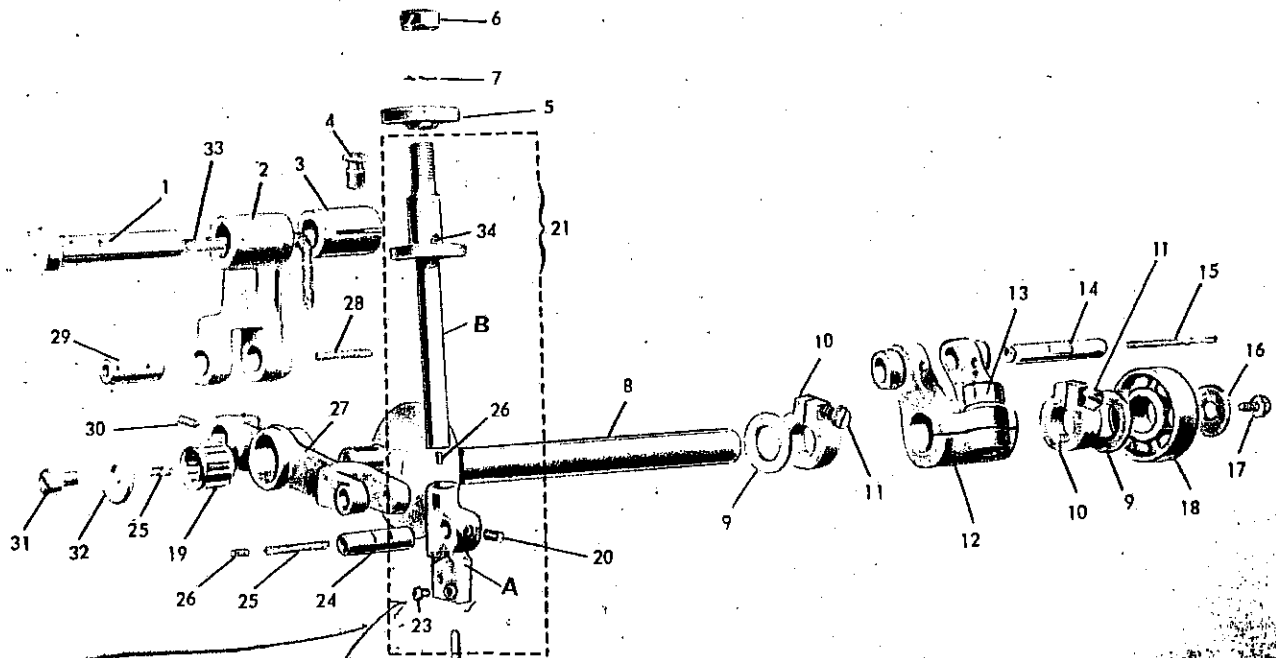
290-075 1/2
THIN BLADE

20413-0-11
270-0751
SELF THREADING
AT REAR

204033-0-10



REF. N°	PART. N°	DESCRIPTION	QUANT.	REF. N°	PART. N°	DESCRIPTION	QUANT.
1	092-D-16	wicks looper shaft	2	29	290-075/1	looper safety stitch	1
2	073-N-10	washers for looper control shaft	2	30	290-352	bush slit	1
3	270-070	gudgeon pin for upper looper control lever	1	31	290-356	ring register	1
4	270-064	shaft upper looper control	1	32	290-360	spindle with fork	1
5	27.277-0745	upper looper with small eye	1	33	G.290-361	shaft with crown	1
5a	270-D-074/1	upper looper, blind	1	34	290-716	washer	1
6	270-0751	lower looper	1	35	297-362	gudgeon pin eccentric	1
7	270-069	lower looper control shaft	2	36	290-022	gudgeon pin for fork coupling	1
8	250-471	bolt looper lever	1	37	072-H-6	washer for eccentric gudgeon pin	2
9	290-068	holder lower looper	1	38	072-C-6	washer for screw locking looper holder	1
10	G.270-065/3	guide oscillating with adjustable bush	1	39	059-G-6	nut for lower looper holder	1
11	270-974/1	screw looper fixing	2	40	290-700	ring spring	1
12	016-B-4	screw gudgeon pin locking	1	41	290-944	grub screw	1
13	016-B-2,5	screw gudgeon pin grub	1	42	290-124	screw looper holder locking	1
14	270-067	lever upper looper control	1	43	G.297-068	assembly lower looper holder	1
15	092-B-1	wick gudgeon pin	2	44	092-C-2	wick	2
16	270-053	washer shimming	1	45	016-B-3	grub screw	2
17	092-D-7	wick	1	46	017-F-11	screw bush fixing	1
18	290-298	attachment for con rod	1	47	017-C-4,5	screw gudgeon pin locking	1
19	290-312/1	con rod safety looper control	1	48	290-703	cage roller bearing	1
20	PM.290-313	con rod	1	49	028-A-5	screw washer fixing	2
21	290-363	gudgeon pin bored	1	50	092-D-16	wick	1
22	290-412	spring cup	1	51	270-975/1	bolt sleeve	1
23	290-923	screw eccentric fixing	1	52	092-D-11	wick	1
24	290-954	washer floating	1	A	270-056/2	bush adjustable	1
25	PM.290-071	holder safety looper	1	B	270-065/3	guide oscillating	1
26	297-055	eccentric looper feed	1	C	270-063/1	lever upper looper holder	1
27	297-281	bush safety looper spacer	1				
28	290-071	holder safety looper	1				

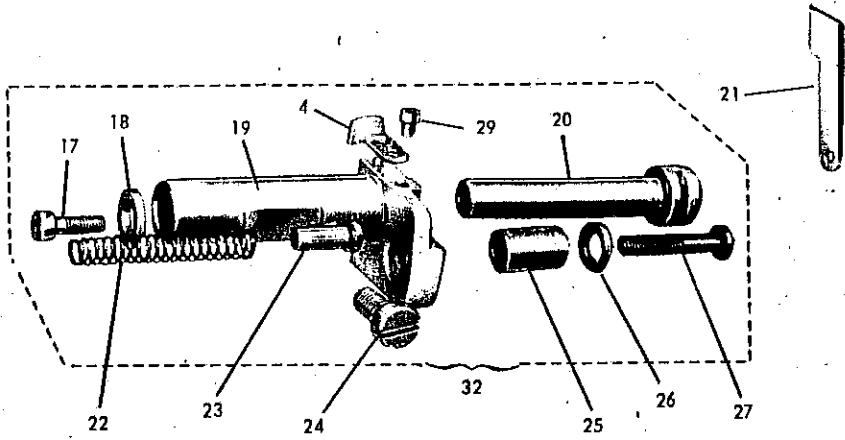
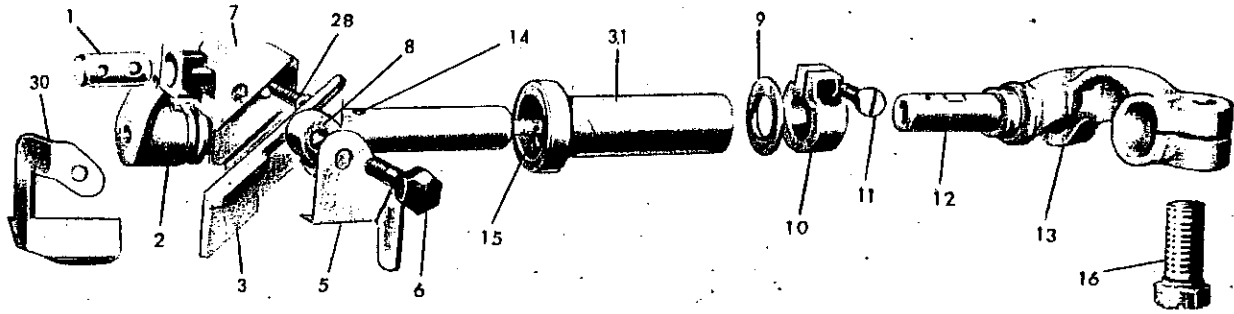


020-A-3
SLOTTED
HEADLESS
NEEDLE SCREW

ALLEN 800
290-944

ALLEN (1) RING
297-746
(990 478-0-10)

REF. N°	PART. N°	DESCRIPTION	QUANT.	REF. N°	PART. N°	DESCRIPTION	QUANT.
1	PM.270-138/1	shaft for fork lever	1	19	250-708	cage roller bearing for needle drive lever	1
2	PM.270-137/1	lever fork	1	20	016-B-2.5	cage roller bearing, only on request	1
3	270-132/1	bush for fork lever	1	21	G.297-025/1	screw gudgeon pin fixing	1
4	270-728/1	screw bush fixing	1	22	RIM. 27	assembly needle bar	1
5	290-027/1	ring for needle guide bar	1	23	290-944	needle	2
6	270-933	nut for needle holder guide bar	1	24	270-130	screw needle retaining	2
7	270-713	washer spring for needle holder shaft	1	25	092-B-1	gudgeon pin clamp	1
8	270-006/1	shaft operating slide lever	1	26	016-A-2.5	wick gudgeon pin	2
9	073-F-9	washer upper shaft	2	27	270-135	screw for clamp gudgeon pin	2
10	270-719	collar upper shaft	2	28	092-D-5	lever controlling needle holder slide	1
11	007-C-11	screw collar	2	29	270-133/1	wick gudgeon pin	1
12	270-007/1	attachment shaft	1	30	023-N-5.5	gudgeon pin fork lever	1
13	270-975/1	screw for attachment	1	31	001-E-7	grub screw fixing needle bar drive lever	1
14	270-031/1	gudgeon pin for attachment	1	32	270-131	bolt upper shaft end	1
15	092-D-6	wick gudgeon pin	1	33	092-D-11	shim washer for roller bearing cage	1
16	071-E-5	washer upper shaft	1	34	092-A-10	wick shaft	1
17	001-G-10	screw for washer	1	A	290-020	wick	1
18	270-708	bearing upper shaft	1	B	290-025/1	clamp needle holder	1
						needle bar	1



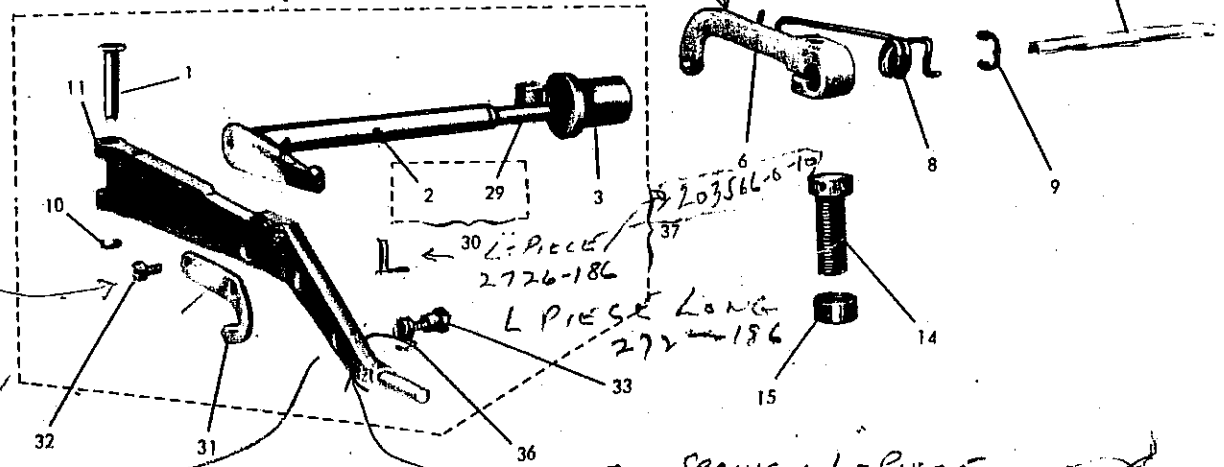
REF. N°	PART. N°	DESCRIPTION	QUANT.	REF. N°	PART. N°	DESCRIPTION	QUANT.
1	270-102	pin for upper knife holder	1	18	071-D-5	washer lower knife shaft	1
2	270-096/1	holder upper knife	1	19	PM.290-104/1	holder lower knife	1
3	27.77-1121	knife upper non-serrated	1	20	290-105	shaft lower knife holder	1
4	290-110	needle guard, front	1	21	290-113	knife lower	1
5	290-111	guard upper knife	1	22	270-100	spring lower knife	1
6	290-987	bolt upper knife fixing	1	23	270-106	pin for lower knife holder	1
7	290-099	block upper knife holding	1	24	003-L-12	bolt knife holder fixing	1
8	270-103	snug upper knife locking	1	25	270-101	bush lower knife support guide	1
9	073-F-9	washer for upper knife holder	1	26	070-F-4	washer lower knife bush	1
10	270-719	lock ring for upper knife holder	1	27	270-877	bolt for lower knife	1
11	007-C-11	screw lock ring	1	28	028-B-13	bolt for upper knife holder	1
12	270-108/1	gudgeon pin for coupling fork	1	29	004-F-4	screw guard fixing	1
13	270-098	coupling fork	1	30	290-115	cover upper knife	1
14	092-C-2	wick gudgeon pin	2				
15	092-D-9	wick knife holder	1	31	270-097/1	bush	1
16	250-471	bolt for upper knife driving lever	1	32	G.297-104/1	assembly lower knife holder	1
17	007-P-10	screw lower knife fixing	1				

On request:
AS. 297-403 Tab. 32

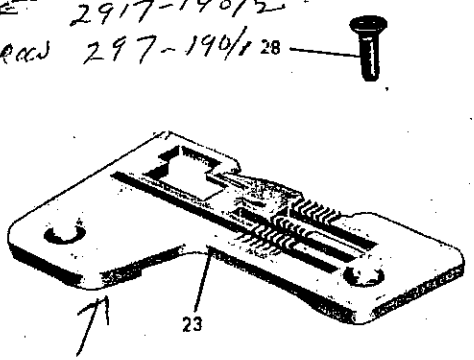
LONG SCREW 001A UN
990693-D-00 FINGER (GROUP)

NEW 20211-0-22 72244

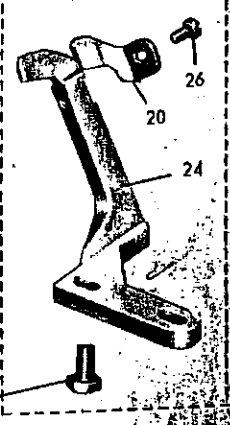
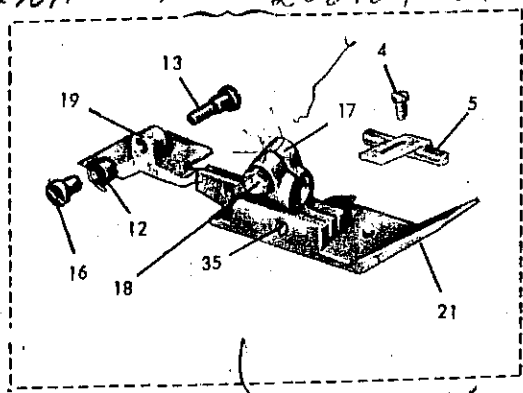
SMM. ALLOW Wk
330-743
990519-0-10



SPRING
WIDE 2917-190/2
NARROW 297-190/28



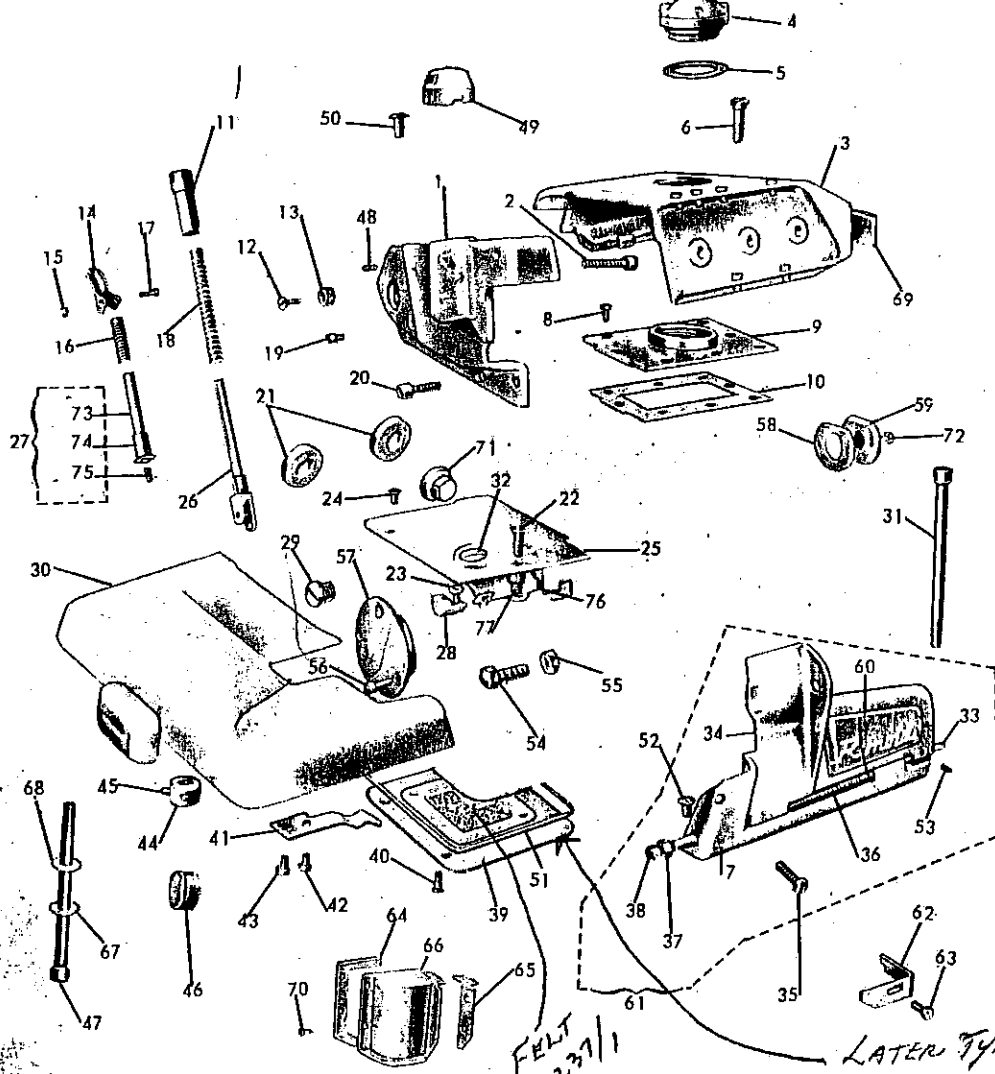
SCREW FOR SPRING + L-PIECE
2701P-403/1 22 203187-040



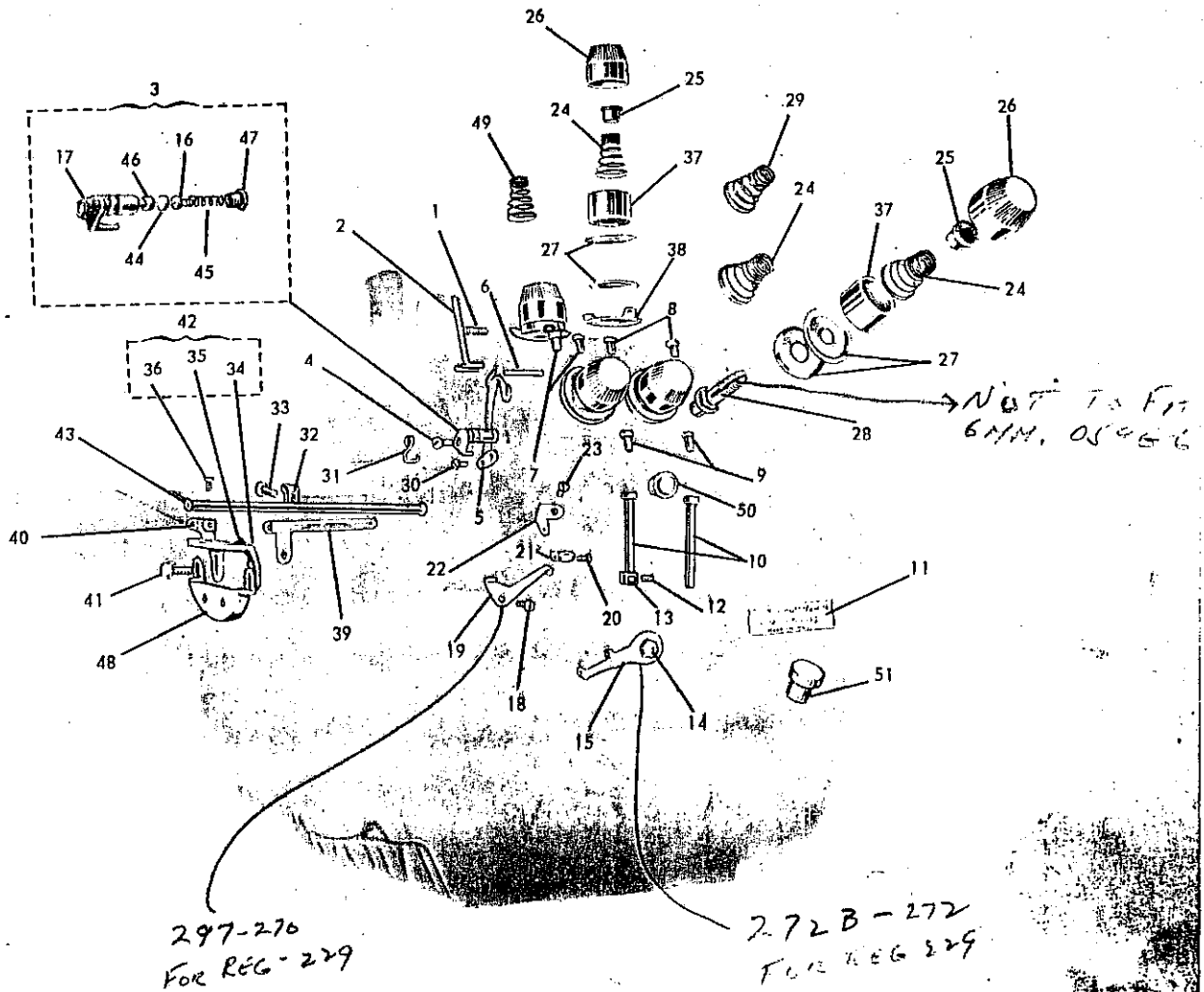
297-1141/1 - 1/8" OVERLOCK BITE

204950-3-12

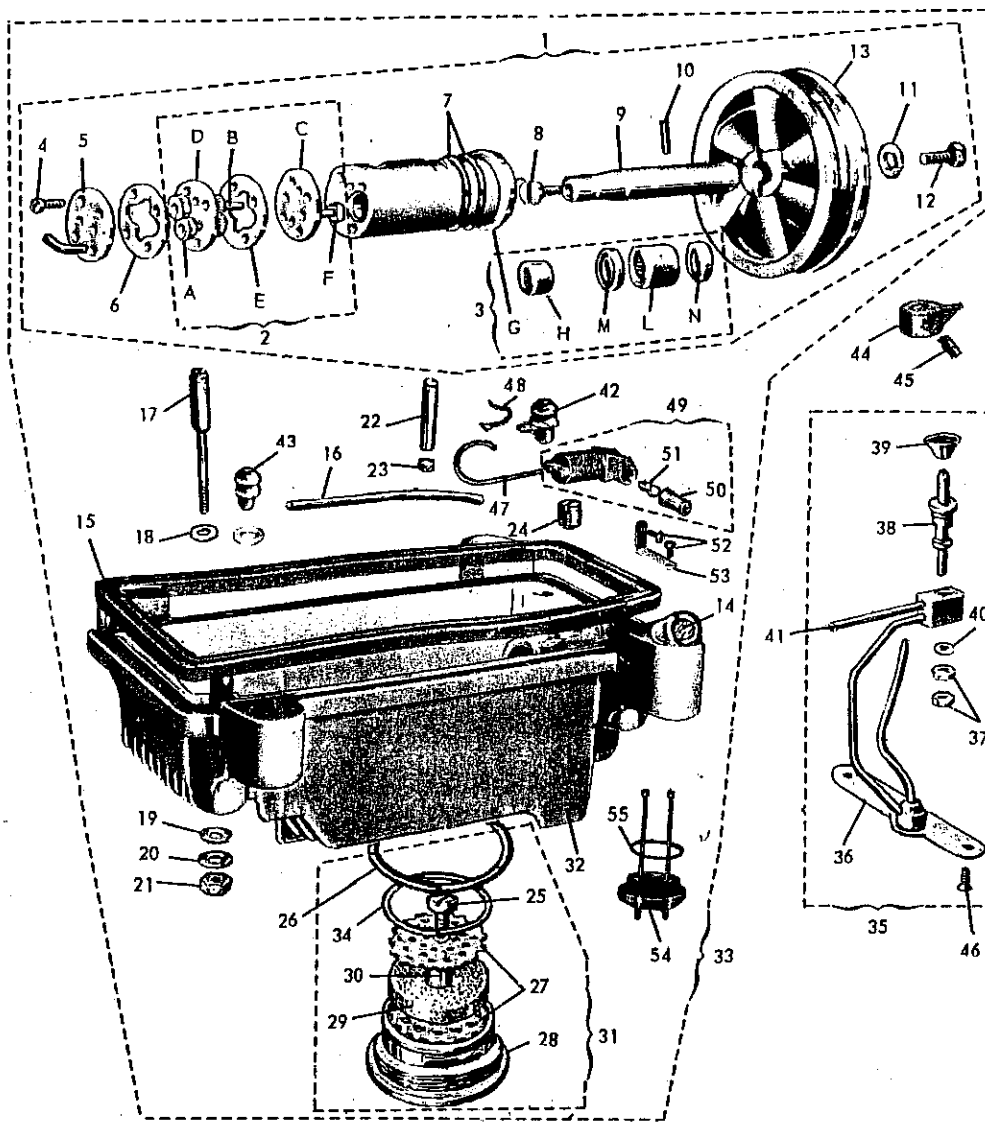
REF. N°	PART. N°	DESCRIPTION	QUANT.	REF. N°	PART. N°	DESCRIPTION	QUANT.
1	270-077	pin for presserfoot holder lever	1	20	297-109/1	needle guard, rear	1
2	270-081/1	spindle for presserfoot lifter lever	1	21	297-1841/1	shoe presserfoot	1
3	270-083	bush for presserfoot lifter lever	1	22	G.297-1811/1	presserfoot complete	1
4	001-A-3,2	screw	1	23	297-114/1	needle plate (bight width 9/32")	1
5	297-183	bracket	1	24	297-107/1	needle guard front	1
6	270-087/1	lever presserfoot lifter	1	25	039-A-6	screw front needle guard fixing	2
7	270-985	screw presserfoot lifter lever	1	26	270-989	screw rear needle guard fixing	1
8	270-089/1	spring presserfoot lifter lever	1	27	092-D-11	wick spindle	1
9	270-714	IDEAL snap ring for presserfoot lifter spindle	1	28	032-L-10,5	screw needle-plate fixing	2
10	270-701	washer spring	1	29	270-073	tube protection	1
11	297-076/1	lever hinged presserfoot lifter	1	30	PM.270-081/1	spindle complete	1
12	297-194	spring	1	31	270-188	plate chain cutting	1
13	297-187	screw	1	32	001-A-4,3	screw plate fixing	1
14	270-085/1	bolt for adjusting presserfoot lifter lever	1	33	27.01-P-403/1	screw with shoulder for spring fulcrum	1
15	270-091	nut for adjusting bolt	1	34	G.297-107/1	assembly front and rear needle guard	1
16	297-195	bush threaded	1	35	297-179	pin	1
17	297-182	clamp	1	36	297-190/1	spring	1
18	297-906	screw	1	37	G.297-076/1	assembly hinged lever	1
19	297-1921	plate chaining guide	1				



REF. N°	PART. N°	DESCRIPTION	QUANT.	REF. N°	PART. N°	DESCRIPTION	QUANT.
1	PM.270-208/3	cover side with bush	1	40	028-E-10	screw for lower plate	4
2	007-H-25	bolt for upper cover	1	41	270-212	clip spring for closing work plate	1
3	PM.290-205/3	cover with thread guide bushes	1	42	001-D-6	screw fixing spring clip	1
4	270-241/2	cap oil filler	1	43	001-D-4.5	screw fixing spring clip	1
5	270-965/2	gasket for oil filler cap	1	44	270-718	collar for work plate pin	1
6	270-983	screw cover fixing	1	45	017-E-4.5	grub screw collar	2
7	PM.290-218/2	hinge	1	46	270-030/2	plug closing differential spindle seat	1
8	007-R-7,5	screw for fixing plate	7	47	290-973/1	bolt for fixing machine	1
9	PM.270-245/3	plate with bush for filler cap	1	48	270-715	grub screw fixing knob 270-093	1
10	270-246	gasket plate	1	49	270-129/1	cover for needle holder guide bar	1
11	270-093/1	knob spring regulating	1	50	270-731/1	plug for closing hole in attachment W	2
12	032-F-9,5	screw for eccentric washer	1	51	270-231	gasket filter plate	1
13	605-412	washer eccentric	1	52	01205 a	screw front cover plate fixing	3
14	270-094	lever presserfoot release	1	53	270-913	pin front cover plate	1
15	270-701	washer spring	1	54	270-214	screw side cover locking	1
16	270-086	spring for presserfoot release tie bar	1	55	057-E-4	nut lock screw	1
17	270-078	pin presserfoot release lever	1	56	005-M-70	screw left side flange	3
18	27-01-P-092	spring presserfoot pressure	1	57	290-619	flange left side	1
19	270-993	screw stop for presserfoot raiser	1	58	270-624	gasket for cover disc	1
20	270-995	screw fixing upper cover	2	59	270-623/1	disc upper shaft cover	1
21	270-066/2	caps rear for looper bushes	2	60	270-175	name plate	1
22	026-C-7	screw fixing oil protection cover	1	61	G.290-216/2	cover plate front complete	1
23	026-E-10	screw fixing base block	1	62	297-220	bracket feed dog guard	1
24	026-C-7	screw fixing oil protection cover	1	63	001-D-7	screw for fixing bracket	1
25	297-247	cover oil protection	1	64	290-203	gasket cover	1
26	PM.270-095/3	shaft presserfoot alignment	1	65	290-204	gasket front for cover	1
27	G.270-090/1	block presserfoot release complete	1	66	290-209	cover front	1
28	270-248/1	block	1	67	290-947	gasket for machine fixing bolt	1
29	270-940	plug for eccentric differential shaft	1	68	290-950	washer for machine fixing bolt	1
30	PM.297-210	work plate complete	1	69	270-174	name plate for tension holder cover	1
31	270-972	bolt long fixing machine	1	70	004-L-8	screw cover fixing	5
32	290-279	screw for oil protection cover	1	71	270-030	screw for differential segment hole	1
33	290-220	pin for front cover plate	1	72	001-D-10	screw for cover disc	2
34	PM.290-217/2	cover plate with fin	1	73	270-110	tie bar	1
35	270-970	screw cover plate	1	74	270-090/1	block	1
36	270-221	spring front cover plate	1	75	290-923	grub screw	1
37	054-D-4	nut for lock screw	1	76	PM.270-301	cover oil protection	1
38	270-226	lock screw front cover plate	1	77	270-303	nipple	1
39	G.297-242	plate filter complete	1				

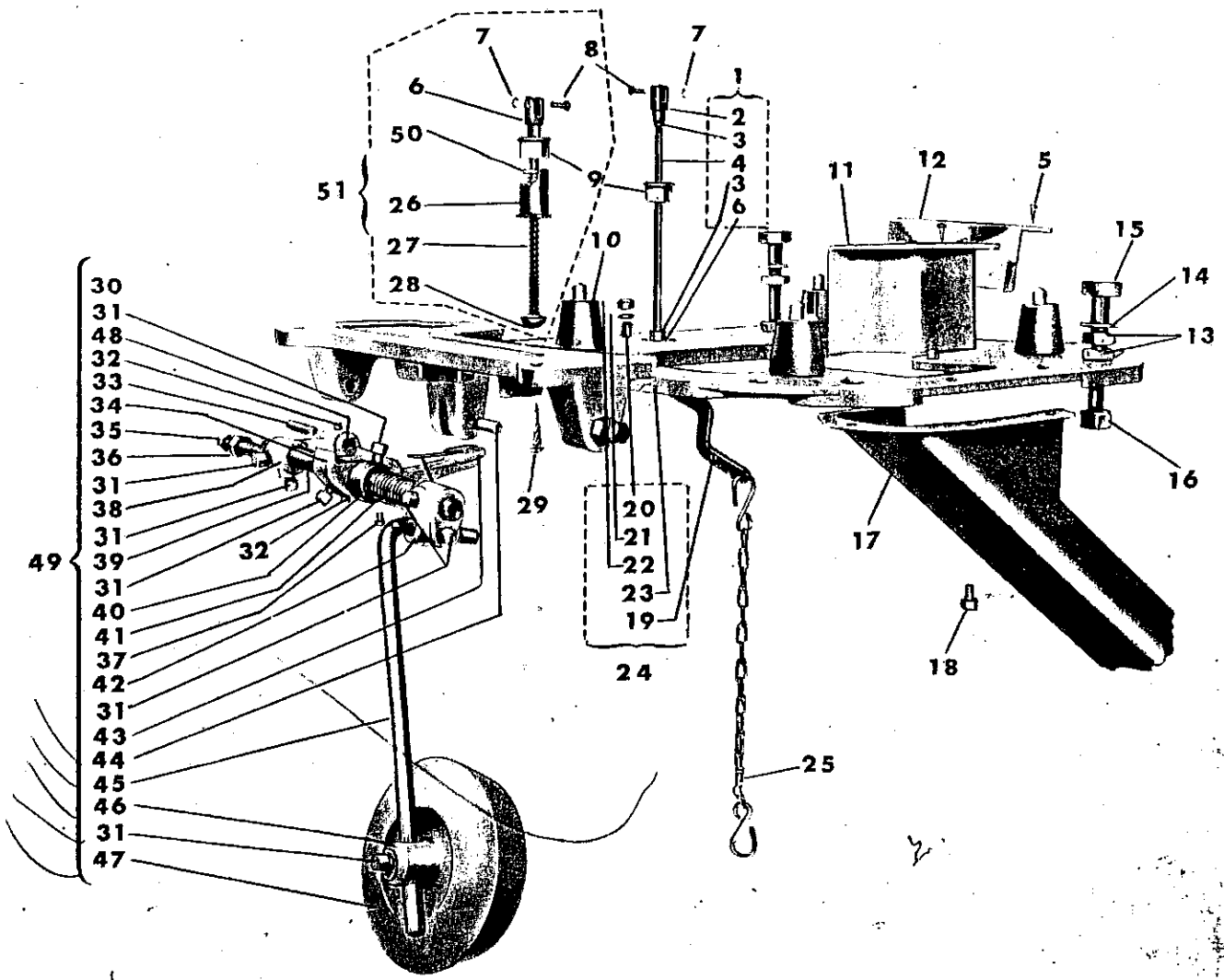


REF. N°	PART. N°	DESCRIPTION	QUANT.	REF. N°	PART. N°	DESCRIPTION	QUANT.
1	270-941	screw fixing needle thread, thread guide	1	27	603-031	discs tension	10
2	PM.27-27-263/1	thread guide for needle thread	1	28	270-230	pin threaded for tensioning	5
3	G.290-262/1	thread take-up complete for needle thread	1	29	270-232/2	spring needle	1
4	004-C-5,5	screw fixing needle thread, thread take-up	1	30	004-N-5,5	screw fixing needle thread tensioner	1
5	270-274/3	thread take-up for needle thread	1	31	290-280	thread guide	1
6	270-264	thread guide needle	1	32	290-306	bracket on thread guide tube	1
7	270-265	bush upper thread guide	1	33	004-G-7	screw for bracket	1
8	270-265/1	bush upper thread guide	2	34	PM.290-309/1	bracket cam	1
9	270-266	bush lower thread guide	2	35	290-310	spring thread take-up	1
10	270-268	tube lower thread guide	2	36	004-A-2,5	screw for fixing spring	1
11	781305-0-00	plate machine class	1	37	270-234/1	retainer spring	5
12	016-B-2,5	screw thread guide fixing	1	38	27-27-253	thread guide	2
13	270-271	thread guide for lower looper thread	1	39	290-255	thread guide safety looper	1
14	036-C-7	screw for looper thread take-up	2	40	290-256	thread guide safety looper	1
15	272-B-272	take-up for lower looper thread	1	41	001-E-6	screw for fixing plate	1
16	270-259	pin	1	42	G.290-309/1	plate thread guide complete	1
17	27-27-262/2	body thread take-up	1	43	290-177	tube thread guide	1
18	001-C-5,5	screw fixing upper looper thread tensioner	1	44	27-27-256/1	pad thread take-up	1
19	297-270	tensioner upper looper thread	1	45	270-258	spring thread take-up	1
20	270-942	screw fixing thread guide	1	46	270-255	pin thread take-up	1
21	290-273	guard looper stop	1	47	270-261/1	cap thread take-up	1
22	270-275/1	thread guide upper looper	1	48	297-214	cover for thread tensioning cam	1
23	032-A-6	screw fixing thread guide	1	49	27-221-C-232/1	spring	1
24	270-232/1	spring lower looper	3	50	270-730/2	plug guide hole	1
25	270-233	bush upper for tensioner	5	51	633-959	spy glass oil	1
26	270-235/1	knob threaded for tensioning	5				



VALVE 225 S/P
20511-200

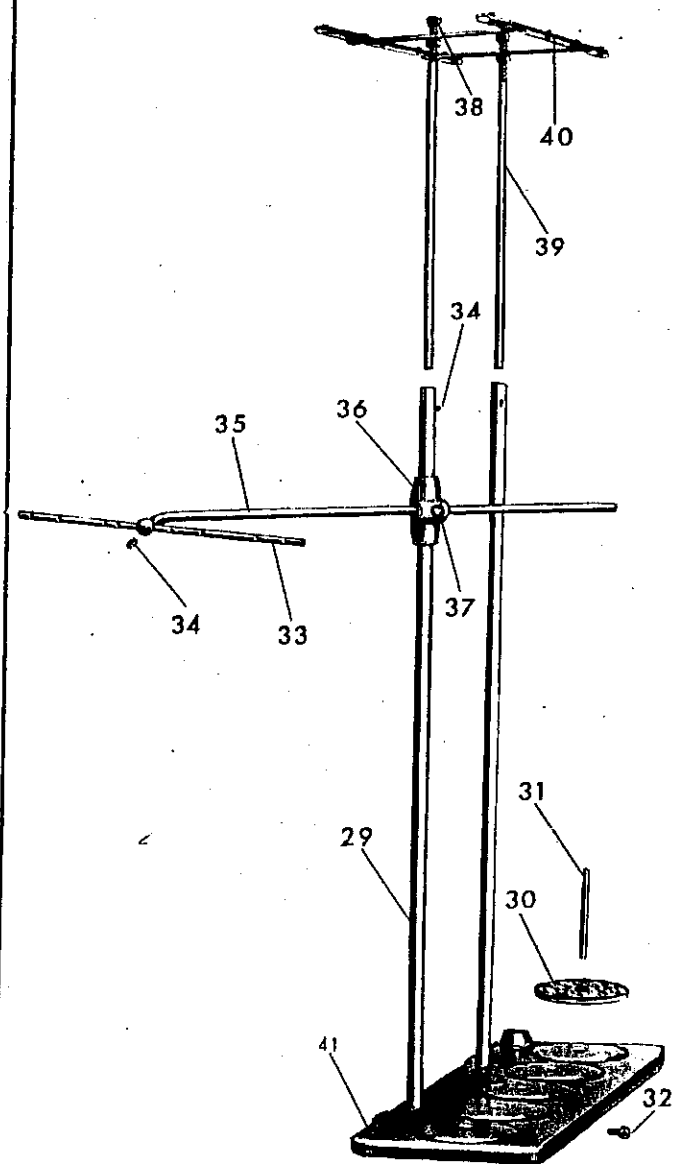
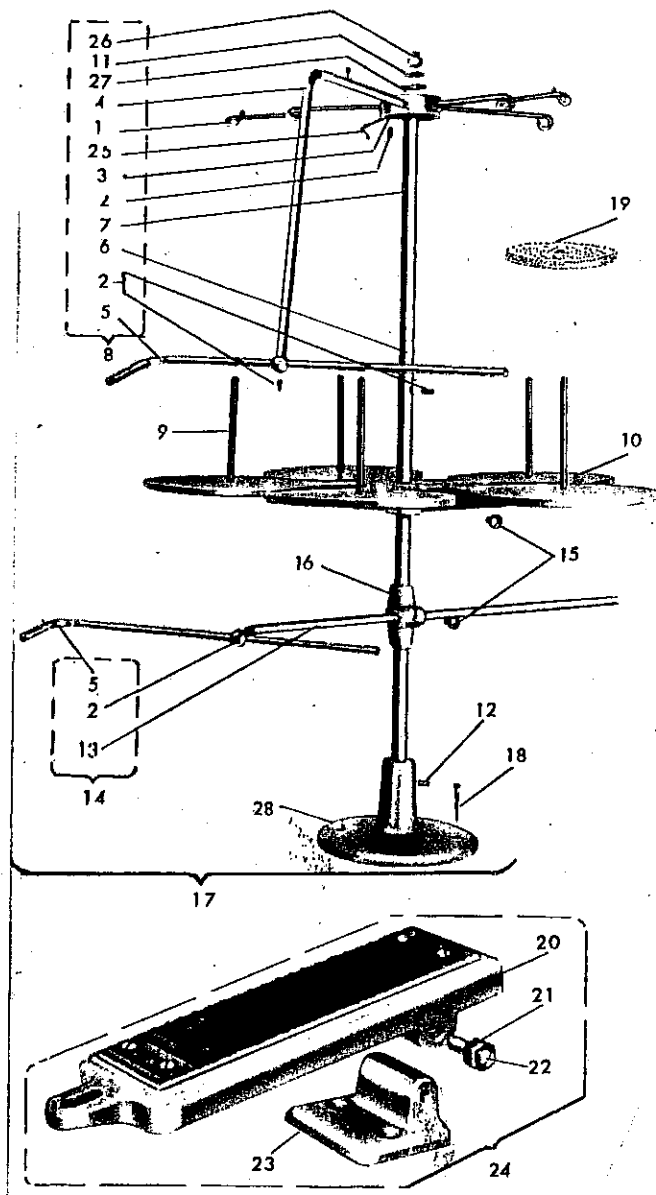
REF. N°	PART. N°	DESCRIPTION	QUANT.	REF. N°	PART. N°	DESCRIPTION	QUANT.
1	G.270-816/1	assembly oil pump	1	34	270-966/1	gasket	1
2	G.633-833/T	assembly gear	1	35	G.270-646	assembly oil distributor	1
3	PM.270-816/1	body pump	1	36	PM.270-646/1	distributor	1
4	633-812	screw	4	37	057-A-3	nut	2
5	PM.633-817/1	cover	1	38	270-650	valve deviator	1
6	633-818/1	washer	1	39	270-651	gasket	1
7	633-711/1	gasket	2	40	270-734/1	washer spring	1
8	270-824/1	screw, drag	1	41	270-652	pipe connecting	1
9	270-823/1	shaft	1	42	270-825.1	pipe oil pump union	1
10	633-708	pin spring	1	43	633-826/1	pipe oil pump union	1
11	633-707	washer spring	1	44	270-645	pointer for oil distributor	1
12	039-G-10	bolt fixing pulley	1	45	016-B-2,5	grub screw pointer	1
13	270-810/2	pulley oil pump	1	46	028-E-10	screw	2
14	633-959	spy glass oil	1	47	270-434	pipe from pressure switch	1
15	270-808	gasket	1	48	270-W1-328	clamp pipe	1
16	633-842	pipe	1	49	AS.270-410	assembly pressure switch	1
17	270-811/1	pin	2	50	PM.270-428	pipe with glass end	1
18	270-946	gasket	2	51	270-422	bulb 12 V 3 W	1
19	270-947	gasket	2	52	001-E-7	screw fixing pressure switch	2
20	065-L-6	washer	2	53	270-435	bracket support	1
21	059-G-6	nut	2	54	270-432	plug with current pick-ups	1
22	270-831/1	pipe	1	55	270-430	gasket rubber	1
23	270-836	pad felt	1	A	633-821/2	gear	4
24	017-H-12	grub screw	1	B	633-822/2	pin gear	1
25	007-M-15	screw	1	C	633-819	plate side	1
26	633-966	gasket	1	D	633-833	plate internal	1
27	270-828/1	grating	1	E	633-818/1	washer internal	1
28	270-996/2	plug	1	F	633-834/1	pin drag	1
29	270-827/1	pad felt	1	G	270-816/1	body pump	1
30	633-925	spacer	1	H	633-814	body roller bearing	1
31	G.270-996/2	plug sump	1	L	633-813	body roller bearing	1
32	PM.290-001/1	sump	1	M	670-702	ring sealing	2
33	G.290-001/1	assembly sump	1				



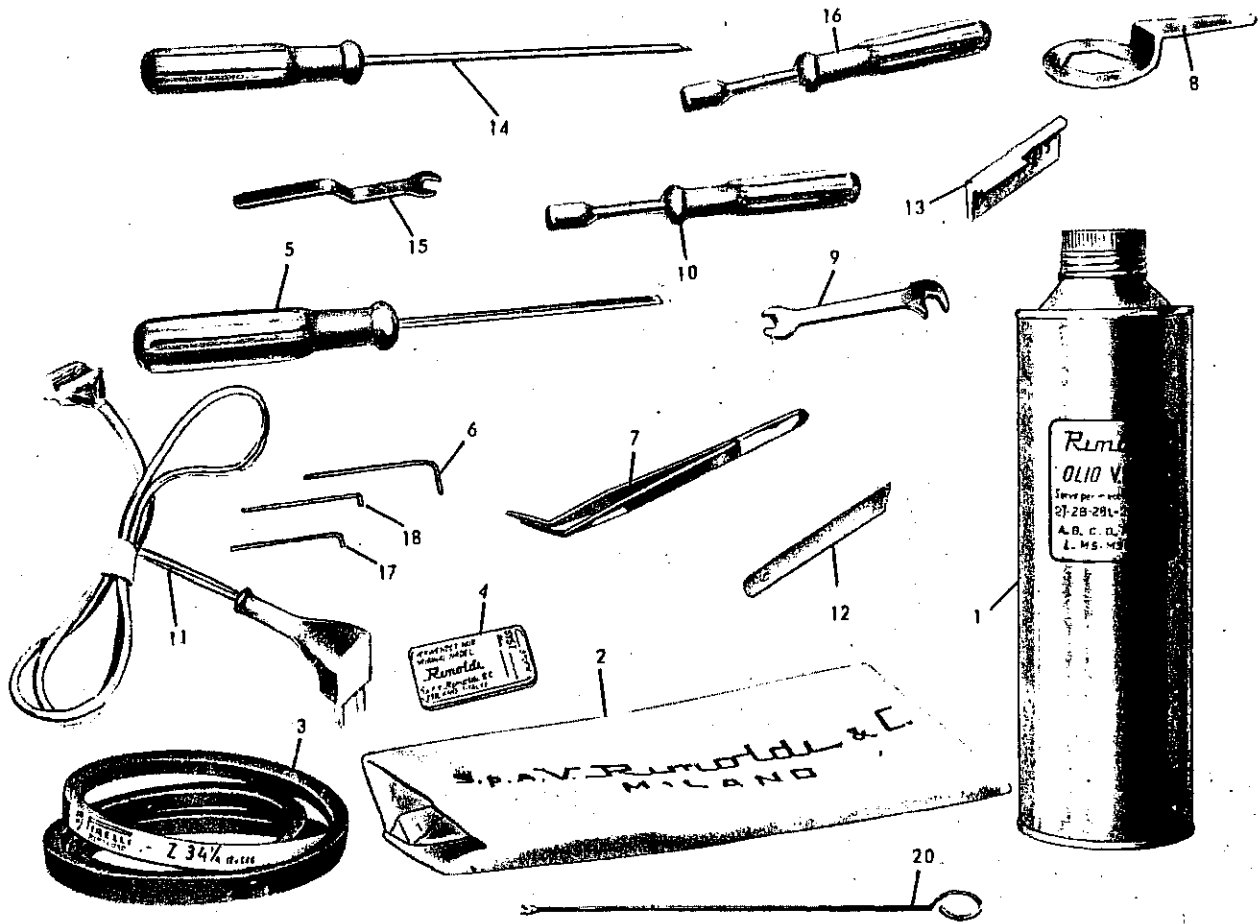
REF. N°	PART. N°	DESCRIPTION	QUANT.	REF. N°	PART. N°	DESCRIPTION	QUANT.
1	G.270-583	tie bar assembly for presserfoot lifter lever	1	26	270-553	bush lower for differential rod	1
2	270-585	joint upper for presserfoot lifter lever	1	27	270-554	spring for differential rod	1
3	059-A-5	nut for tie bar	2	28	270-556/1	rod differential lever	1
4	270-583	rod for presserfoot lifter lever	1	29	TS. 22x 35	screw for fixing knee control to table	4
5	270-459	rivets fixing	7	30	270-570	screw for knee control	1
6	270-557	joint for presserfoot lifter lever	2	31	038-M-9	screw for knee control	9
7	270-701	ring snap	2	32	005-G-6	screw pin locking	2
8	270-558	pin for joint	2	33	270-580	pin junction	2
9	270-552	bush upper for table	2	34	270-579	anchor knee control	1
10	270-004	shock absorber	4	35	270-998	screw pointed for knee control	2
11	270-589/1	mouth waste chute	1	36	059-F-8	nut for pointed screw	2
12	270-588	guard pulley wheel	1	37	005-L-11	screw for pin	1
13	058-M-10	nut for bolt holding machine	8	38	270-578	lever holding knee control junction	1
14	067-H-10	washer for plate supporting machine	4	39	270-571	shaft knee control	1
15	270-971	bolt for plate supporting machine	4	40	270-720	collar knee control spring tensioning	1
16	051-L-10	nut for fixing plate to table	4	41	270-575	spring knee control return	1
17	270-590/1	waste chute to the right	1	42	270-572	attachment knee control	1
	270-590/2	waste chute to the left	1	43	270-576	rocker arm knee control	1
18	001-G-10	screws channel fixing	3	44	270-581	gudgeon pin rocker arm	1
19	270-586/1	lever controlling presserfoot lifter	1	45	270-573	rod carrying knee control disc	1
20	270-584	support for lever	1	46	270-574	disc knee control	1
21	065-L-6	washers for pins	3	47	270-582	covering knee control	1
22	059-H-6	nut for support	1	48	270-577	joint knee control	1
23	PM.270-005/1	plate with pins	1	49	G.270-570	assembly knee control for operating differ.	1
24	G.270-005/3	plate machine support with lever	1	50	064-E-5	washer for differential control rod	1
25	PM.1159	chain with hook	1	51	G.270-556	rod for complete differential lever	1

N.B. 6-7-89

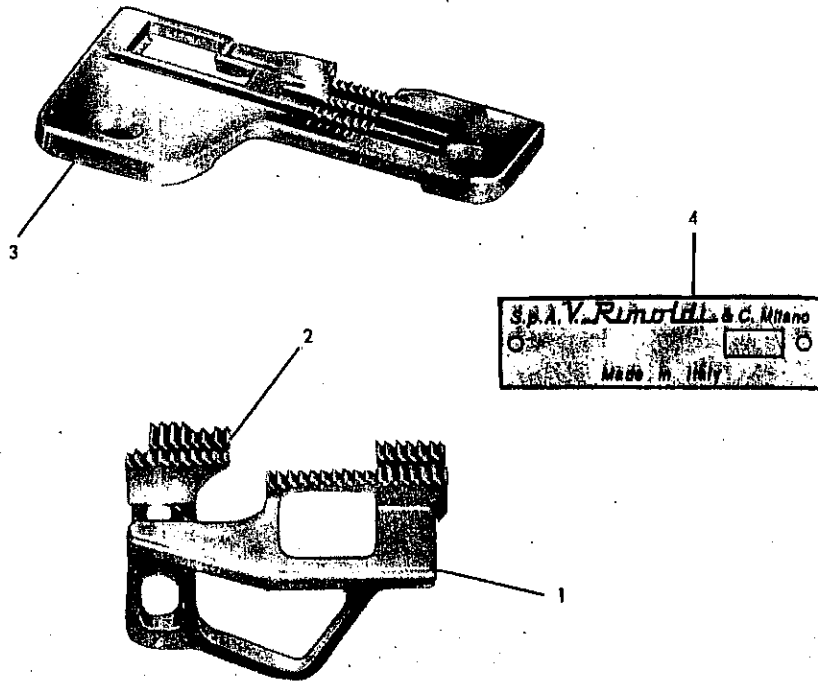
quantity of parts on request 1



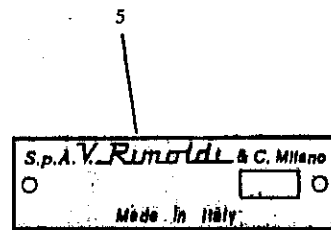
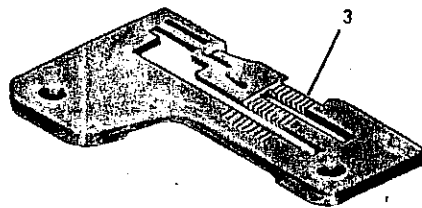
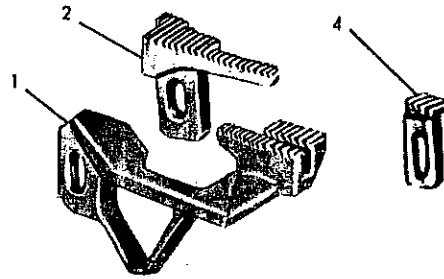
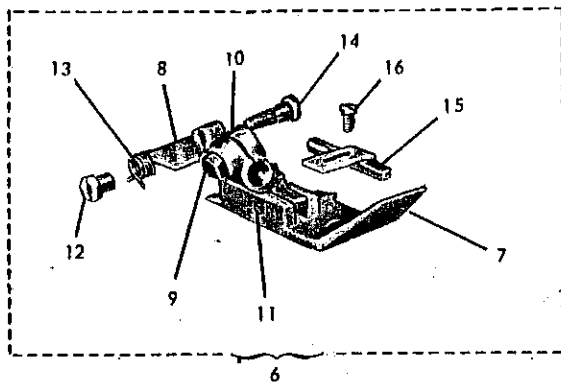
N° RIF.	N° DISEGNO	DENOMINAZIONE	QUANT.	N° RIF.	N° DISEGNO	DENOMINAZIONE	QUANT.
		SUPPLIED WITH HEAD ONLY				SUPPLIED WITH BENCH	
1	290-134	rod thread guide	2	29	910-143	rod main support	2
2	016-F-5	grub screws	8	30	569	disc reel support	5
3	290-140	union for rod	1	31	1146	pin reel	5
4	PM.290-148/1	support rod	1	32	001-G-10	cheesehead screw	5
5	290-137	rod thread guide	2	33	270-157	rod thread guide	1
6	250-143	rod lower main	1	34	016-F-5	grub screw	1
7	290-130	rod upper main	1	35	270-158/1	support thread guide	1
8	G.290-137	frame thread guide	1	36	605-937	support for reel pin	1
9	1146	pin reel	5	37	605-980	knob knurled	2
10	290-142	base plate reel	1	38	1145	nut fixing frame	4
11	065-N-6	washer	1	39	910-144	rod upper of frame	2
12	016-F-10	screw fixing rod	1	40	G.497	frame thread guide	1
13	270-158/1	support rod	1	41	490/2	holder reel	1
14	G.290-157	support for thread guide rod	3				
15	605-980	screws	1				
16	605-937	support	1				
17	AS.290-140	assembly thread guide frame	1				
18	TS.20x30	screw fixing frame	2				
19	569	disc reel support	5				
20	PM.910-914	pedal	1				
21	053-H-8	nut pedal	2				
22	910-964	bolt pointed	2				
23	910-934/1	support pedal	1				
24	G.910-914/1	assembly pedal	1				
25	290-135	support thread	2				
26	290-706	nut	1				
27	290-705	washer spring	1				
28	01141	base thread holder	1				



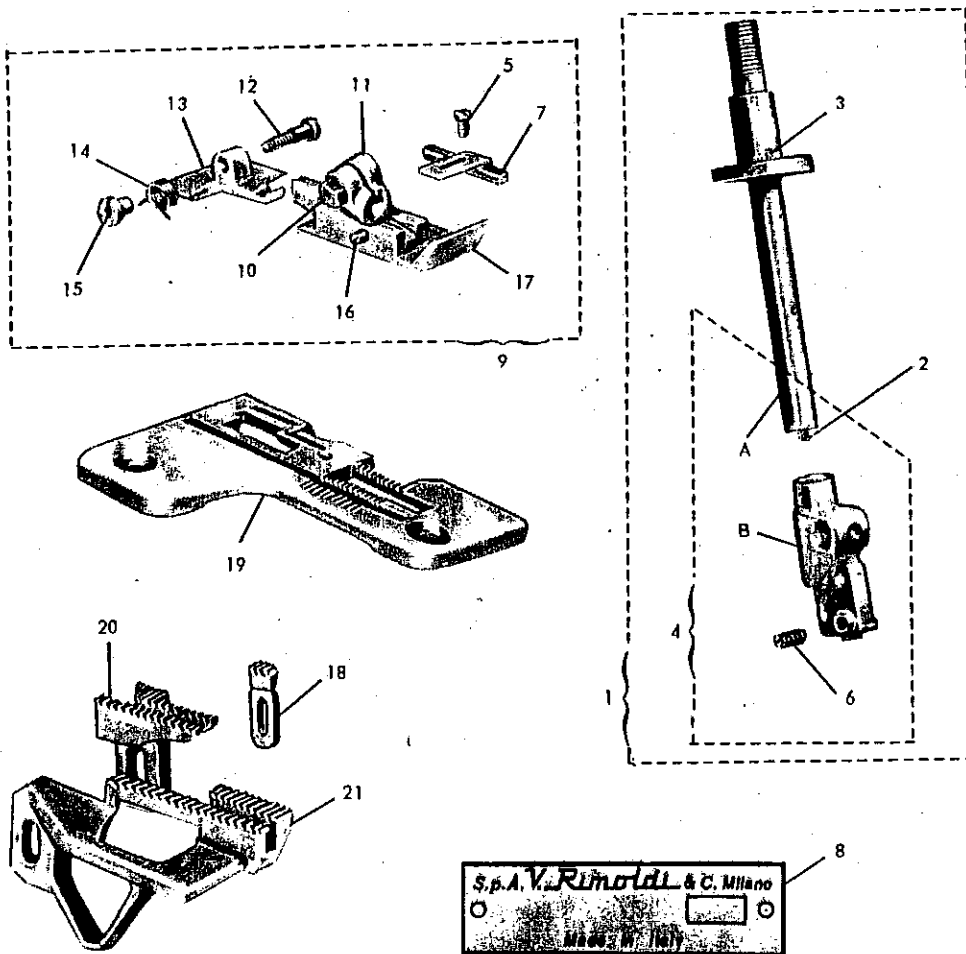
N° RIF.	N° DISEGNO	DENOMINAZIONE	QUANT.	N° RIF.	N° DISEGNO	DENOMINAZIONE	QUANT.
1	VR.604	oil 1 Kg.	1	11	270-431	cable pressure switch feed	1
2	1175	dust cover for machine	1	12	290-113	knife lower	1
3	270-155/1	vee belt	1	13	27.77-1121	knife upper	1
4	RIM 27	needle	5	14	01160/2	screw driver	1
5	01161/2	screw driver	1	15	270-745	spanner hexagonal 9/32" for increasing diff.	1
6	633-742	allen key 1/8"	1	16	270-740	spanner socket 13/64"	1
7	1158	tweezers for threading	1	17	270-743	allen key 5/64" for grub screws <i>Ford, Knut etc.</i>	1
8	639-M-745	spanner sump plug	1	18	297-746	allen key for tightening needle	1
9	1156/1	spanner open ended	1	19	608-739	spanner for attaching presserfoot	1
10	270-741	spanner socket 9/32"	1	20	603-154	bar threading	1
						On request: 290-675 block knife sharpening	1



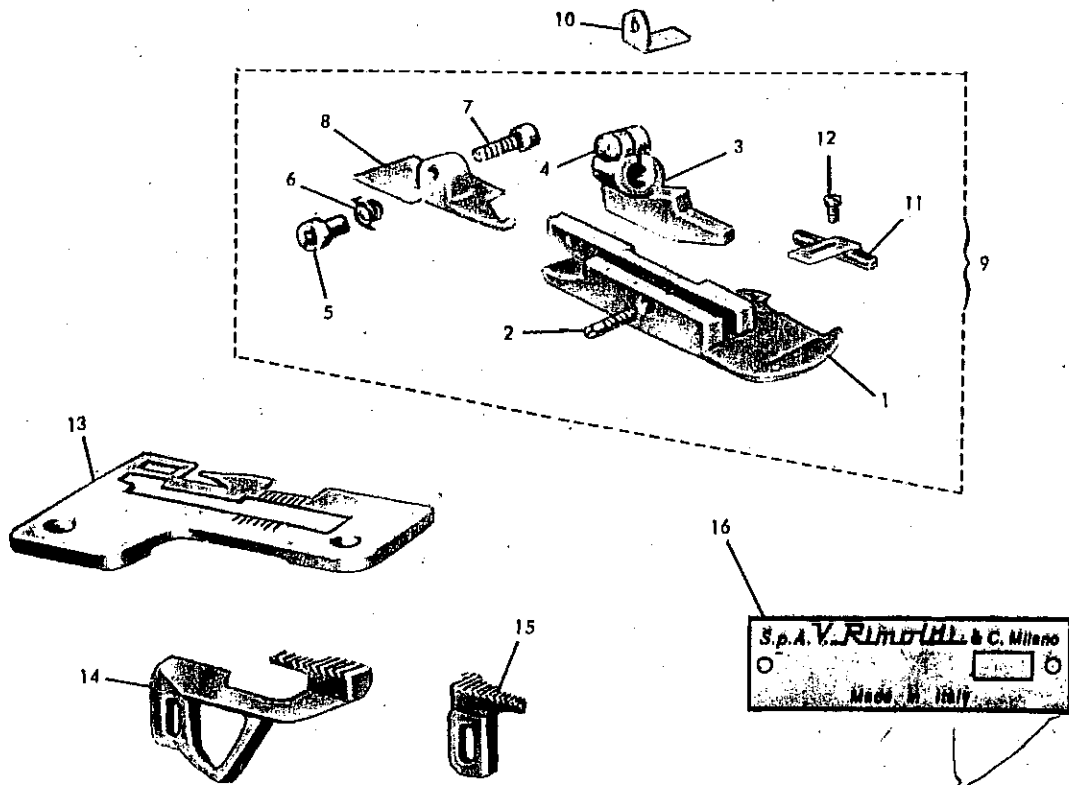
REF. N°	PART. N°	DESCRIPTION	QUANT.	REF. N°	PART. N°	DESCRIPTION	QUANT.
1	290-050	feed dog, front	1				
2	290-051	feed dog, rear	1				
3	290-114/1	needle plate (bight width 7/32")	1				
4	781301-0-00	plate machine class	1				



REF. N°	PART. N°	DESCRIPTION	QUANT.	REF. N°	PART. N°	DESCRIPTION	QUANT.
1	290 B-050	feed dog front 204667-0-10	1	9	297-906	bolt	1
2	290 B-051	feed dog rear 204669-0-10	1	10	297-182	clamp	1
3	290-B-114	needle plate 204698-0-10	1	11	297-179	pin	1
4	291-052	feed dog chaining 204517-0-10	1	12	297-195	bush threaded	1
5	781302-0-00	plate machine class	1	13	297-194	spring	1
6	G.290-B-181/1	presserfoot complete 204706-0-10	1	14	297-187	bolt	1
7	290-B-184/1	shoe presserfoot	1	15	297-183	bracket	1
8	290-B-192	plate chaining guide	1	16	001-A-3,2	screw	1



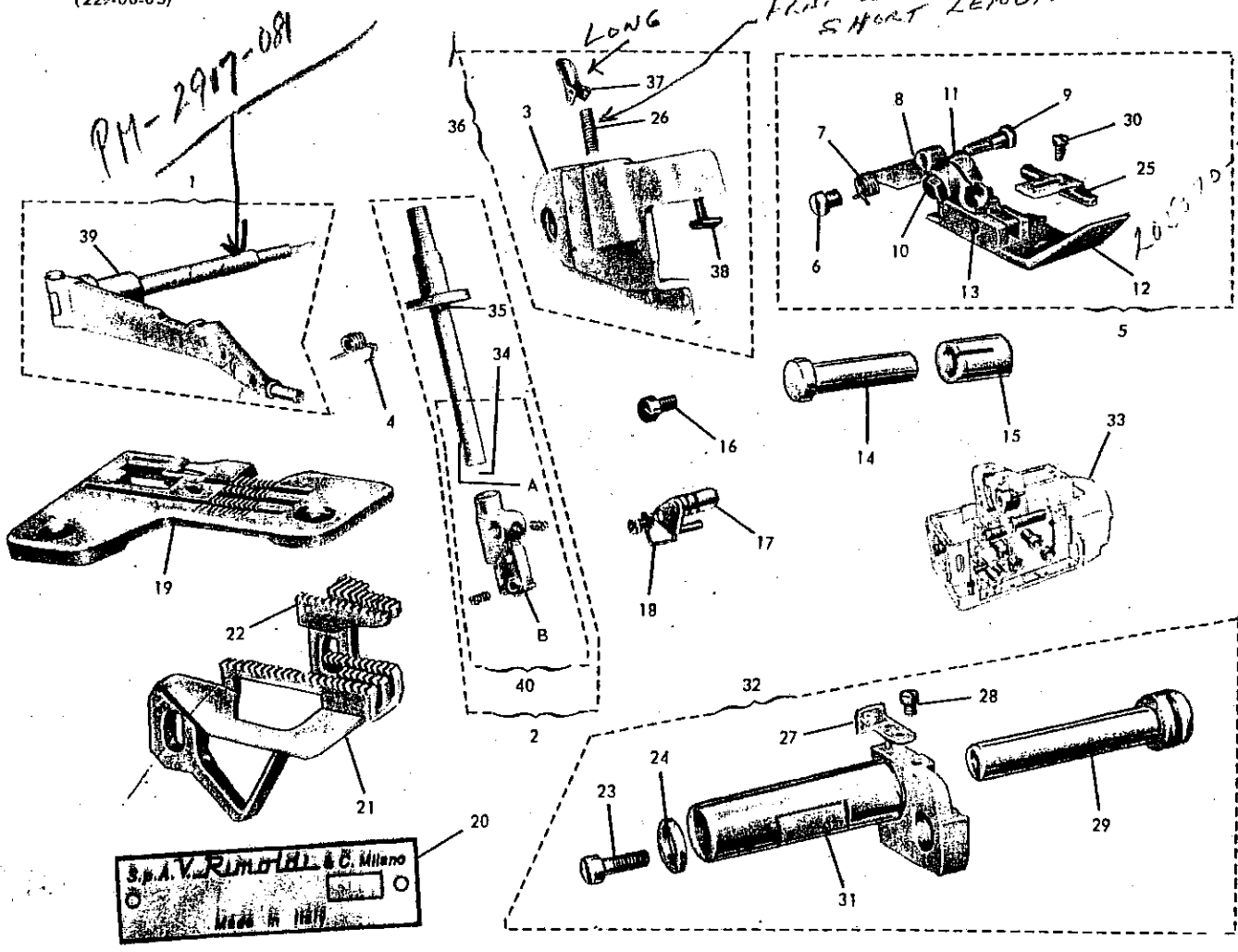
REF. N°	PART. N°	DESCRIPTION	QUANT.	REF. N°	PART. N°	DESCRIPTION	QUANT.
1	G.291-025/1	needle bar with clamp	1	13	297-1921	plate chaining guide	1
2	016-A-2,5	grub screw	1	14	297-194	spring	1
3	092-A-10	wick	1	15	297-195	bush threaded	1
4	PM.291-020/1	clamp complete with needle bar	1	16	297-179	pin	1
5	001-A-3,2	screw	1	17	297-184/1	shoe	1
6	290-944	grub screw for holding needle	2	18	291-052	feed dog chaining	1
7	297-183	bracket	1	19	291-114	needle plate (bight width 5/32")	1
8	781303-0-00	plate machine class	1	20	291-051	feed dog rear	1
9	G.291-181/1	presserfoot complete	1	21	291-050	feed dog front	1
10	297-906	bolt	1	A	297-025/1	shaft	1
11	297-182	clamp	1	B	291-020	clamp	1
12	297-187	bolt	1				



REF. N°	PART. N°	DESCRIPTION	QUANT.	REF. N°	PART. N°	DESCRIPTION	QUANT.
1	291-B-184/1	shoe presserfoot	1	9	G.291-B-181/1	presserfoot complete	1
2	297-179	pin	1	10	291-B-1861	bracket presserfoot stop	1
3	291-E-182	clamp	1	11	297-183	bracket	1
4	297-906	bolt	1	12	001-A-3,2	screw	1
5	297-195	bush threaded	1	13	291-B-114	needle plate	1
6	297-194	spring	1	14	291-B-050	feed dog front	1
7	297-187	bolt	1	15	291-B-051	feed dog rear	1
8	291-B-192	plate chaining guide	1	16	781304-0-00	plate machine class	1

PM-2917-081

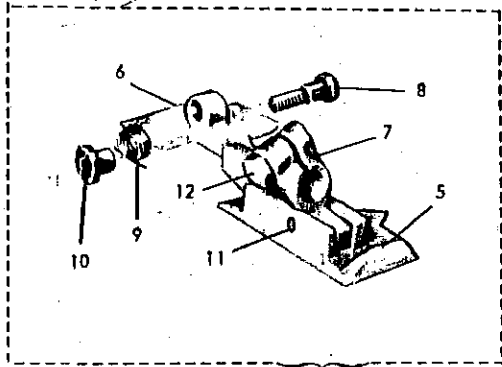
LONG FIRST WICK SHORT LENGTH



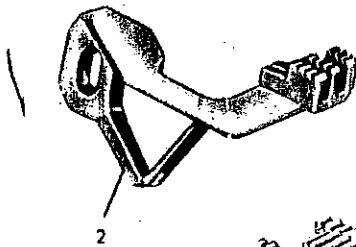
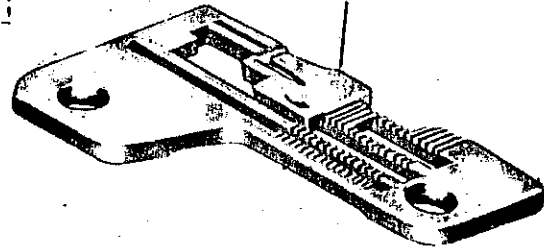
NOTE
 THIS CONVERSION CAN ONLY BE CARRIED OUT IN
 OUR FACTORY

REF. N°	PART. N°	DESCRIPTION	QUANT.	REF. N°	PART. N°	DESCRIPTION	QUANT.
1	G.29.17-0761/2	lever hinged presserfoot	1	22	29.17-051	feed dog, rear	1
2	G.29.17-025/2	needle bar with clamp complete	1	23	007-P-10	screw	1
3	PM.29.17-208/3	plate side	1	24	071-D-5	washer	1
4	29.17-190/2	spring presserfoot pressure	1	25	29-183	bracket	1
5	G.29.17-1811/1	presserfoot complete	1	26	29.17-092	spring	1
6	297-195	bush threaded	1	27	29.17-110	needle guard front	1
7	297-194	spring	1	28	004-F-4	screw	1
8	29.17-1921	plate chaining guide	1	29	290-105	spindle lower knife holder	1
9	297-187	bolt	1	30	001-A-3,2	screw	1
10	297-906	bolt	1	31	PM.290-104/1	holder lower knife	2
11	29.17-182	clamp	1	32	G.29.17-104/1	holder lower knife complete	1
12	29.17-1841/1	shoe	1	33	G.29.17-002/1	base complete	1
13	297-179	pin	1	34	016-A-2,5	grub screw	1
14	PM.29.17-138	pin fork lever	1	35	092-A-10	wick	1
15	29.17-132/1	bush fork lever	1	36	G.29.17-208/3	side plate complete	1
16	005-M-7	screw upper shaft	1	37	28.779-094	lever	1
17	G.29.17-262/1	thread take-up complete	1	38	PM.29.17-263	thread guide	1
18	29.17-280	guide thread	1	39	PM.29.17-081	spindle with arm	1
19	29.17-114/1	needle plate (bight width 27/64")	1	40	PM.29.17-020/2	needle bar with clamp	1
20	781306-0-00	plate machine class	1	A	29.17-020/1	shaft	1
21	29.17-050	feed dog, front	1	B	297-025/1	clamp	1

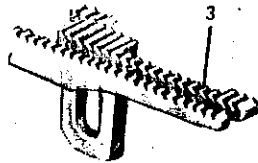
On request:
 29.17-0501
 29.17-0511 Tab. 32



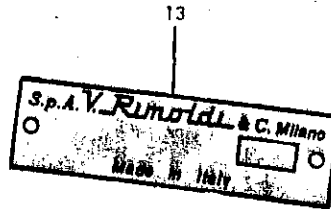
4



2

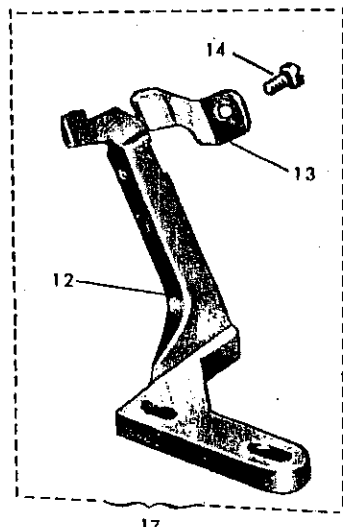
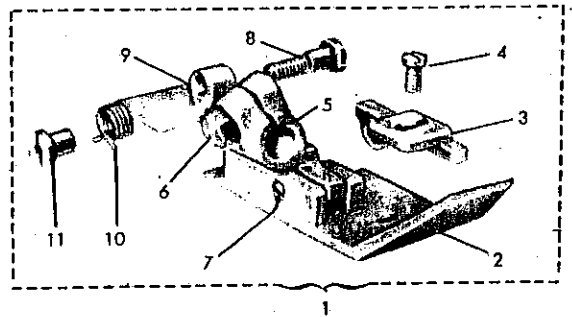


3

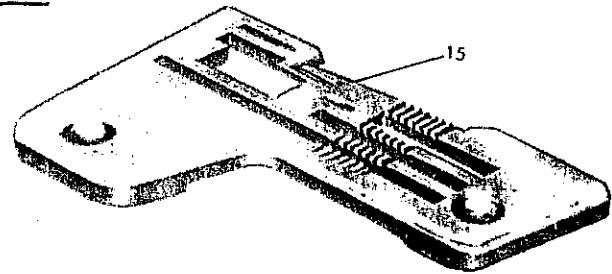


13

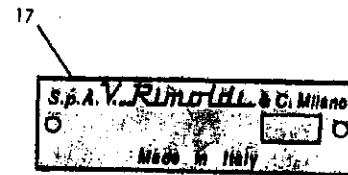
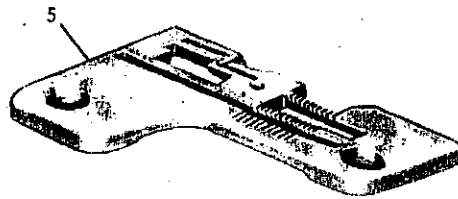
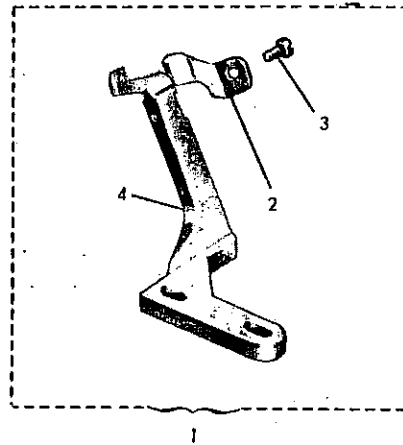
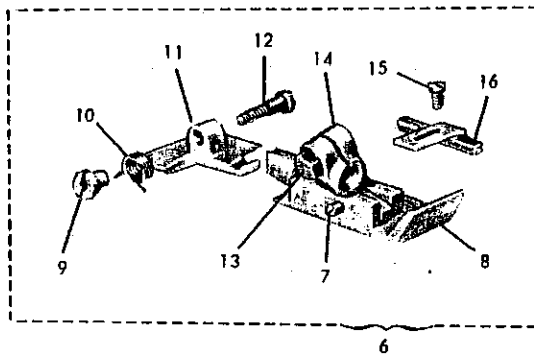
REF. N°	PART. N°	DESCRIPTION	QUANT.	REF. N°	PART. N°	DESCRIPTION	QUANT.
1	29.17-PDB-114	needle plate	1	8	297-187	bolt	1
2	29.17-PDB-0501	feed dog front	1	9	297-194	spring	1
3	29.17-PDB-0511	feed dog rear	1	10	297-195	bush threaded	1
4	G.29.174-181	presserfoot	1	11	297-179	pin	1
5	29.174-184	shoe	1	12	297-906	bolt	1
6	29.174-192	plate chaining guide	1	13	781307-0-00	plate machine class	1
7	29.174-182	clamp	1				



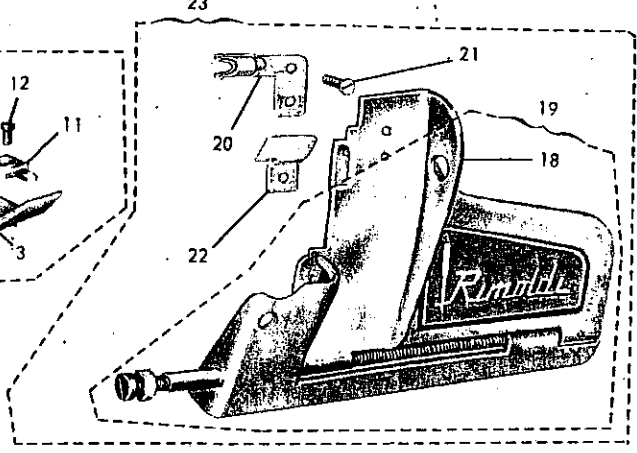
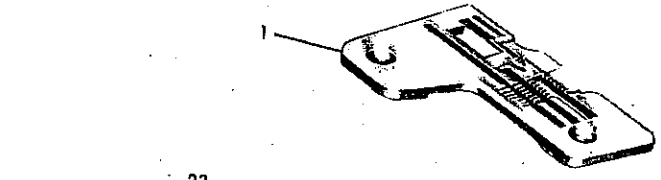
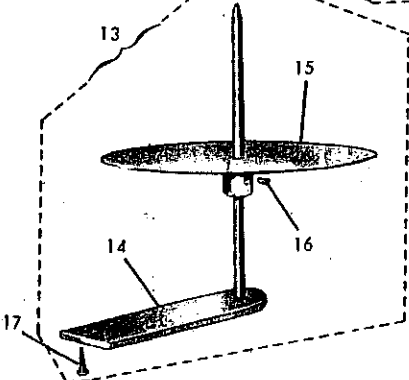
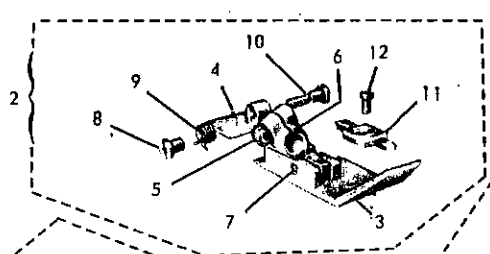
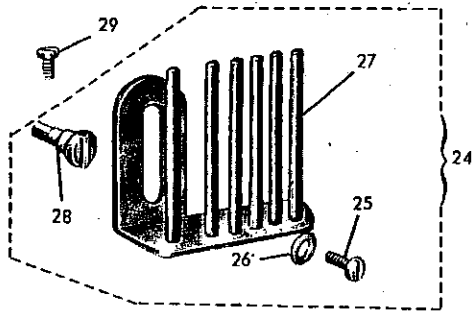
S.p.A. V. *Rumoldi* & C. Milano
Made in Italy



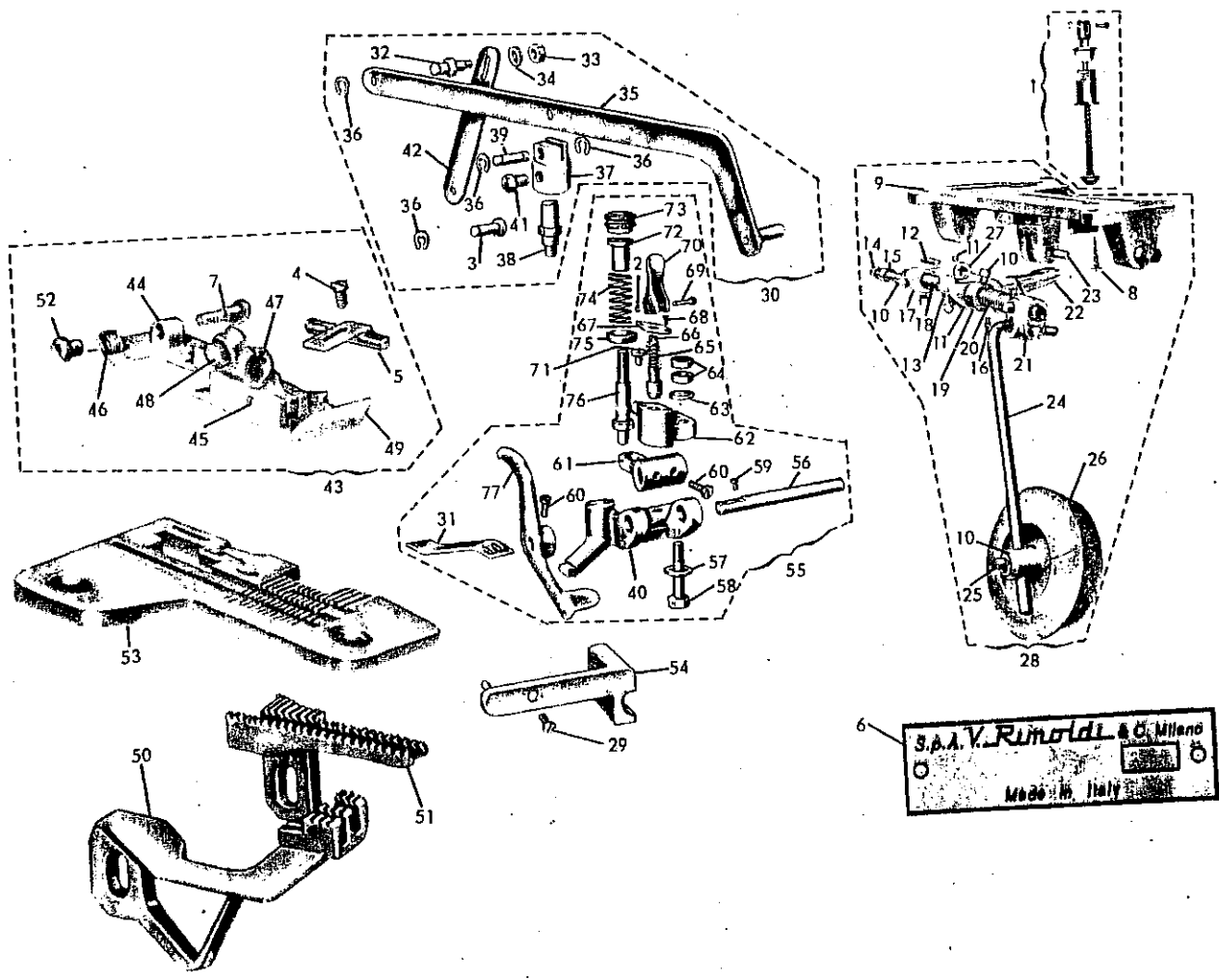
REF. N°	PART. N°	DESCRIPTION	QUANT.	REF. N°	PART. N°	DESCRIPTION	QUANT.
1	G.29.78-181	presserfoot complete	1	10	297-194	spring	1
2	29.78-184	shoe	1	11	297-195	bush threaded	1
3	29.78-191	tongue	1	12	29.78-107	needle guard front	1
4	004-A-5	screw	1	13	297-109/1	needle guard rear	1
5	297-182	clamp	1	14	270-989	screw	1
6	297-906	bolt	1	15	29.78-114	needle plate (bight width 1/4")	1
7	297-179	pin	1	16	781308-0-00	plate machine class	1
8	297-187	bolt	1	17	G.29.78-107	assembly front and rear needle guard	1
9	297-1921	plate chaining guide	1				



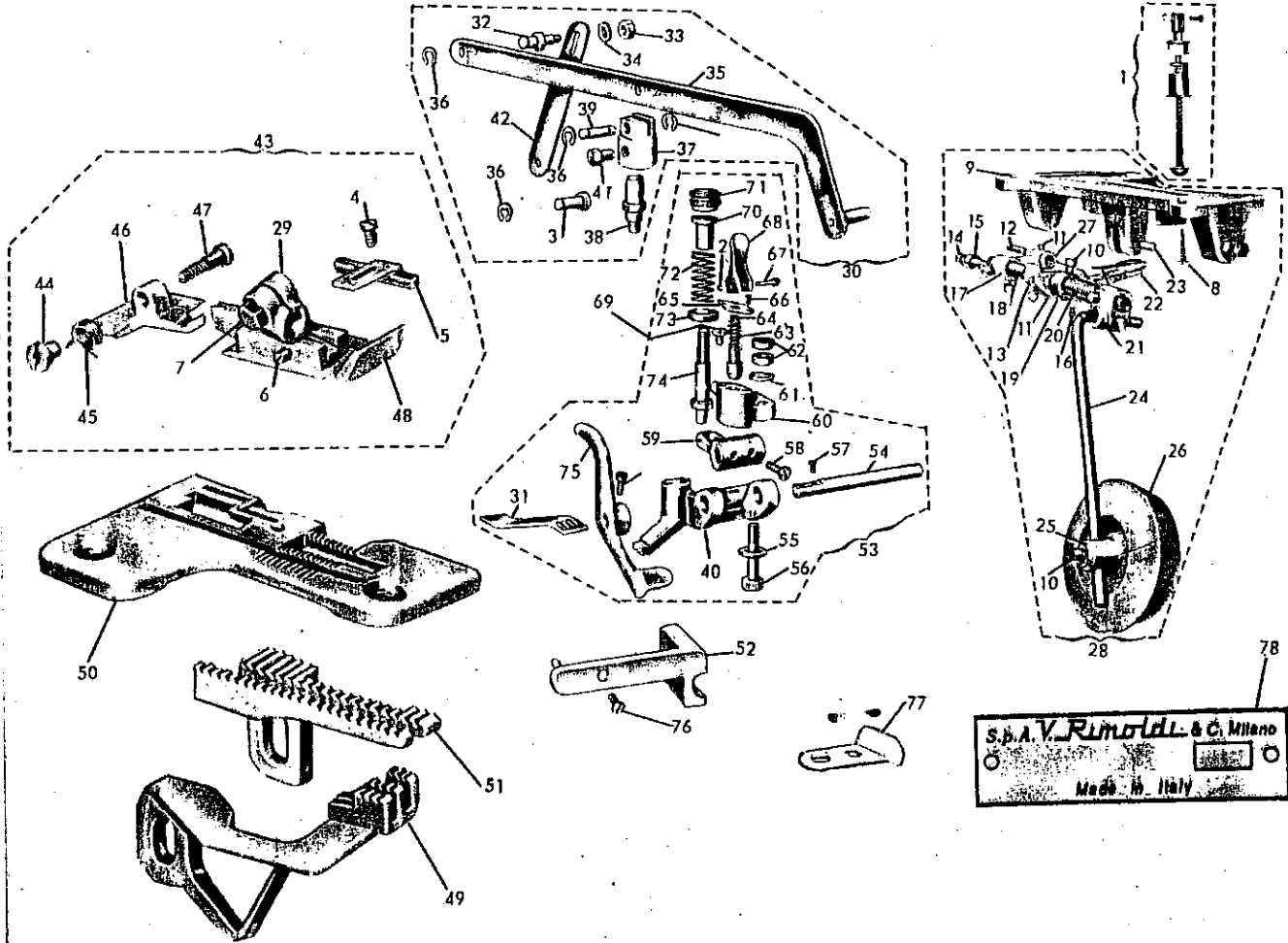
REF. N°	PART. N°	DESCRIPTION	QUANT.	REF. N°	PART. N°	DESCRIPTION	QUANT.
1	G.29.18-107	assembly front and rear needle guard	1	10	297-194	spring	1
2	297-109/1	needle guard rear	1	11	297-1921	plate chaining guide	1
3	270-989	screw	1	12	297-187	bolt	1
4	29.18-107	needle guard front	1	13	297-906	bolt	1
5	29.18-114	needle plate	1	14	297-182	clamp	1
6	G.29.18-181	presserfoot complete	1	15	001-A-4,3	screw	1
7	297-179	pin	1	16	29.18-191	tongue	1
8	29.18-184	shoe	1	17	781309-0-00	plate machine class	1
9	297-195	bush threaded	1				



REF. N°	PART. N°	DESCRIPTION	QUANT.	REF. N°	PART. N°	DESCRIPTION	QUANT.
1	297-H-114	needle plate	1	16	017-E-7	grub screw	1
2	G.297-H-181	presser foot complete	1	17	TS.20x30	wood screw	2
3	297-H-184	shoe	1	18	PM.297-H-217/2	cover plate	1
4	297-1921	plate chaining guide	1	19	G.297-H-216/2	cover plate front complete	1
5	297-906	bolt	1	20	PM.297-H-413	folder, complete for tape	1
6	297-182	clamp	1	21	275-404	screw	2
7	297-179	pin	1	22	297-H-418	bracket	1
8	297-195	bush threaded	1	23	AS.297-H-216/2	cover plate complete with guide	1
9	297-194	spring	1	24	G.306-423	metering device for tape	1
10	297-187	bolt	1	25	01205 A	screw	1
11	297-H-183	tongue	1	26	070-F-4	washer	1
12	001-A-3,2	screw	1	27	PM.306-423	pins metering	1
13	G.2726PDBO9375	reel holder complete	1	28	306-425/1	pin	1
14	PM.602-141/1	base with rod	1	29	039-R-8,5	screw fixing metering device	1
15	PM2726PDBO1425	plate complete	1	30	781340-0-00	plate machine class	1

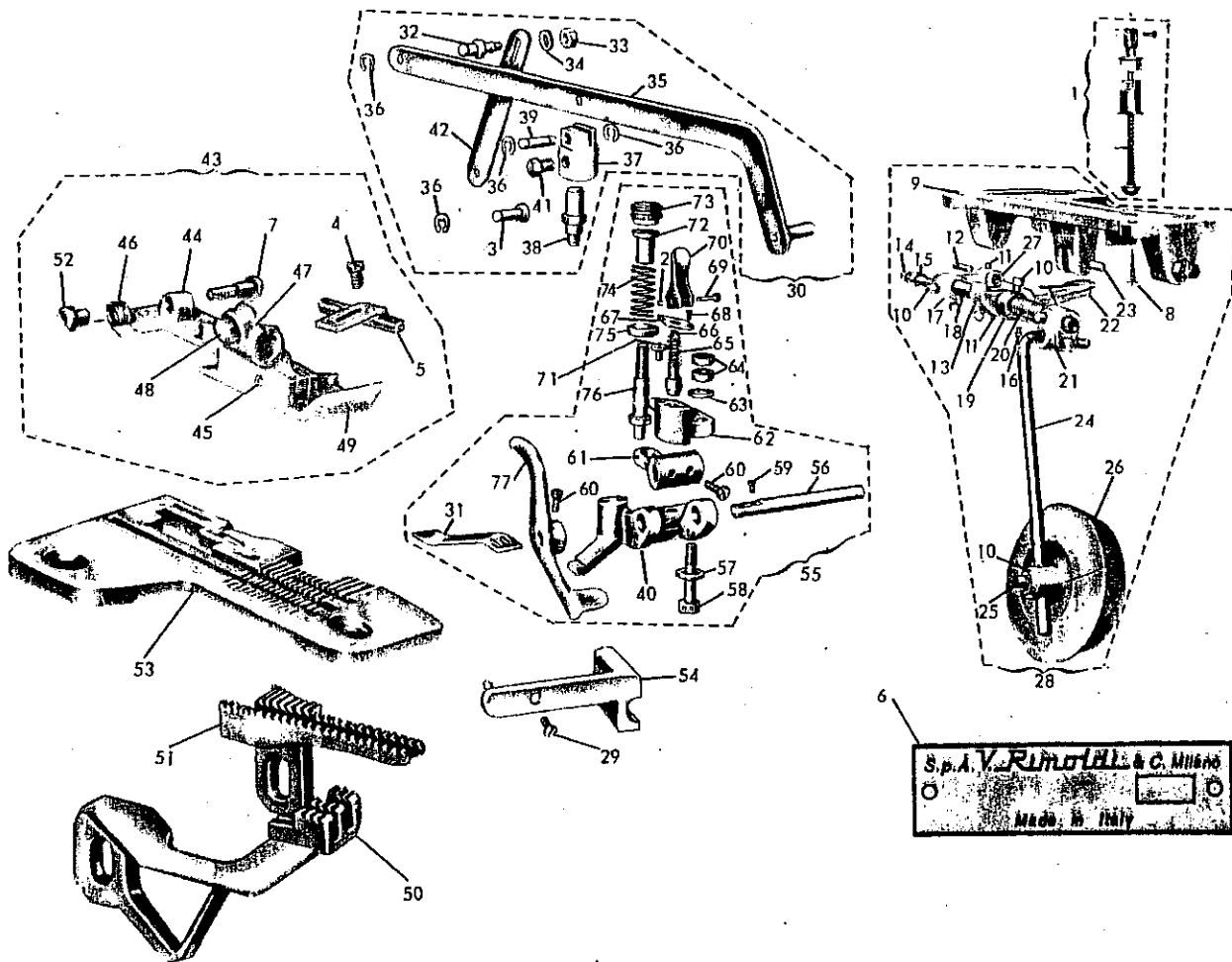


REF. N°	PART. N°	DESCRIPTION	QUANT.	REF. N°	PART. N°	DESCRIPTION	QUANT.
1	G.270-556	shaft diff. lever control complete	1	40	297-PDB-401	body, ruffler	1
2	270-701	washer spring	2	41	038-C-7	bolt assembly fixing	1
3	27.01-PDB-558	pin attachment	1	42	27.01-PDB-516	lever rear	1
4	270-989	screw	1	43	G.297-PDB-181/1	presserfoot complete	1
5	297-PDB-183	tongue	1	44	297-1921	plate chaining guide	1
6	781372-0-00	plate machine class	1	45	297-179	pin	1
7	297-187	bolt	1	46	297-194	spring	1
8	TS.22x35	screw for attaching knee control	4	47	297-182	clamp	1
9	270-570	support knee control	1	48	297-906	bolt	1
10	038-M-9	screw knee control	9	49	297-PDB-184/1	shoe presserfoot	1
11	005-G-6	screw pin locking	2	50	297-PDB-050	feed dog, front	1
12	270-580	pin junction	2	51	297-PDB-051	feed dog, rear	1
13	270-579	anchor knee control	1	52	297-195	bush threaded	1
14	270-998	screw pointed for knee control	2	53	297-PDB-114	needle plate (bight width 9/32")	1
15	059-P-8	nut for pointed screw	2	54	PM.2701PD417/1	bracket stop	1
16	005-L-11	screw for pin	1	55	G.297PDB-401	ruffler complete	1
17	270-578	lever holding knee control junction	1	56	297-PDB-403	blade spindle carrying	1
18	270-571	shaft knee control	1	57	065-L-6	washer	1
19	270-720	collar spring tensioning	1	58	297-PDB-418	bolt long shank for ruffler support	1
20	270-575	spring knee control return	1	59	004-L-6	screw blade attachment	2
21	270-572	attachment knee control	1	60	001-E-6	screw	4
22	270-576	arm knee control rocker	1	61	297-PDB-407	lever blade pressure	1
23	270-581	pin rocker arm	1	62	297-PDB-408	support, ruffler	1
24	270-573	rod carrying knee control disc	1	63	064-D-5	washer	1
25	270-574	disc knee control	1	64	057-P-5	nut	2
26	270-582	covering knee control	1	65	297-PDB-444	spring ferrule pressure	1
27	270-577	joint knee control	1	66	297-PDB-442	stop pin ruffler	1
28	G.270-570	assembly knee control for operating diff.	1	67	297-PDB-441	guide plate stop pin	1
29	001-D-7	screw bracket fixing	1	68	028-B-5	screw fixing stop pin guide plate	2
30	G.297-PDB-515	assembly for automatic control of ruffler	1	69	270-078	pin stop pin lever fulcrum	1
31	297-PDB-402	blade ruffler	1	70	270-094	lever stop pin	1
32	27.01-PDB-518	pin rear lever	1	71	039-R-8,5	screw fixing ruffler	1
33	053-D-4	nut	1	72	1032 a	bush load-spring	1
34	070-F-4	washer	1	73	160-032	knob load-spring	1
35	PM.297-PDB-515	lever ruffler control	1	74	297-PDB-443	load-spring ruffler blade	1
36	270-702	IDEAL spring clips	3	75	240-035	spring retainer	1
37	27.01-PDB-517	fulcrum ruffler control lever	1	76	160-030	pin for spring	1
38	27.01-PDB-519	pin threaded for fulcrum	1	77	PM.297-PDB-406	lever ruffler control with hub	1
39	27.01-PDB-520	pin fulcrum	1				



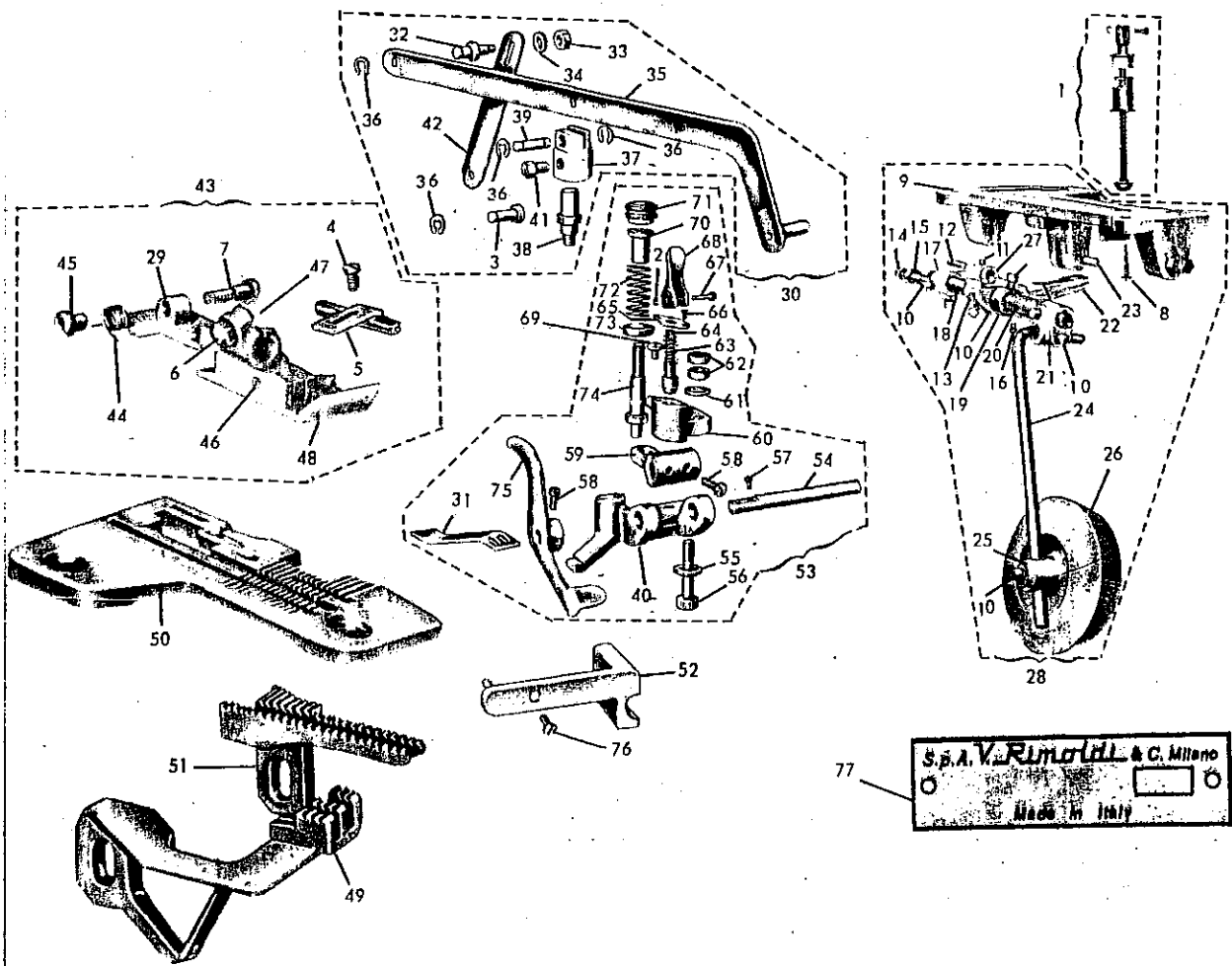
REF. N°	PART. N°	DESCRIPTION	QUANT.	REF. N°	PART. N°	DESCRIPTION	QUANT.
1	G.270-556	lever differential control	1	40	297-PDB-401	body ruffler	1
2	270-701	washer spring	2	41	038-C-7	bolt assembly fixing	1
3	27.01-PDB-558	pin attachment	1	42	27.01-PDB-516	lever rear	1
4	270-989	screw	1	43	G.291-PDB-181/1	presserfoot complete	1
5	297-PDB-183	tongue	1	44	297-195	bush threaded	1
6	297-179	pin	1	45	297-194	spring	1
7	297-906	bolt	1	46	297-1921	plate chaining guide	1
8	TS.22x35	screw for attaching knee control	4	47	297-187	bolt	1
9	270-570	support knee control	1	48	291-PDB-184/1	shoe presserfoot	1
10	038-M-9	screw knee control	9	49	291-PDB-050	feed dog, front	1
11	005-G-6	screw pin locking	2	50	291-PDB-114	needle plate (bight width 5/32")	1
12	270-580	pin junction	2	51	291-PDB-051	feed dog, rear	1
13	270-579	anchor knee control	1	52	PM.2701-PD417/1	bracket stop	1
14	270-998	screw pointed for knee control	2	53	G.297-PDB-401	ruffler complete	1
15	059-P-8	nut for pointed screw	2	54	297-PDB-403	spindle carrying blade	1
16	005-L-11	screw for pin	1	55	065-L-6	washer	1
17	270-578	lever holding knee control junction	1	56	297-PDB-418	bolt long shank for ruffler support	1
18	270-571	shaft knee control	1	57	004-L-6	screw blade attachment	2
19	270-720	collar spring tensioning	1	58	001-E-6	screw	4
20	270-575	spring knee control return	1	59	297-PDB-407	lever blade pressure	1
21	270-572	attachment knee control	1	60	297-PDB-408	support ruffler	1
22	270-576	arm knee control rocker	1	61	064-D-5	washer	1
23	270-581	pin rocker arm	1	62	057-P-5	nut	2
24	270-573	rod carrying knee control disc	1	63	297-PDB-444	spring stop pin pressure	1
25	270-574	disc knee control	1	64	297-PDB-442	stop pin ruffler	1
26	270-582	covering knee control	1	65	297-PDB-441	plate stop pin guide	1
27	270-577	joint knee control	1	66	028-B-5	screw fixing stop pin guide plate	2
28	G.270-570	assembly knee control for operating diff.	1	67	270-078	pin stop pin lever fulcrum	1
29	297-182	clamp	1	68	270-094	lever stop pin	1
30	G.297-PDB-515	assembly for automatic control of ruffler	1	69	039-R-8,5	screw fixing ruffler	1
31	297-PDB-402	blade ruffler	1	70	1032 a	bush load-spring	1
32	27.01-PDB-518	pin rear lever	1	71	160-032	knob load-spring	1
33	053-D-4	nut	1	72	297-PDB-443	spring ruffler blade loading	1
34	070-F-4	washer	1	73	240-035	retainer spring	1
35	PM.297PDB515	lever ruffler control	1	74	160-030	pin for spring	1
36	270-702	clip IDEAL spring	3	75	PM.297PDB406	lever ruffler control with hub	1
37	27.01-PDB-517	fulcrum ruffler control lever	1	76	001-D-7	screw fixing bracket	1
38	27.01-PDB-519	pin threaded mounting fulcrum	1	77	291-PDB-110	needle guard front	1
39	27.01-PDB-520	pin fulcrum	1	78	781371-0-00	plate machine class	1

On request:
297-PDB-4021 Tab. 32

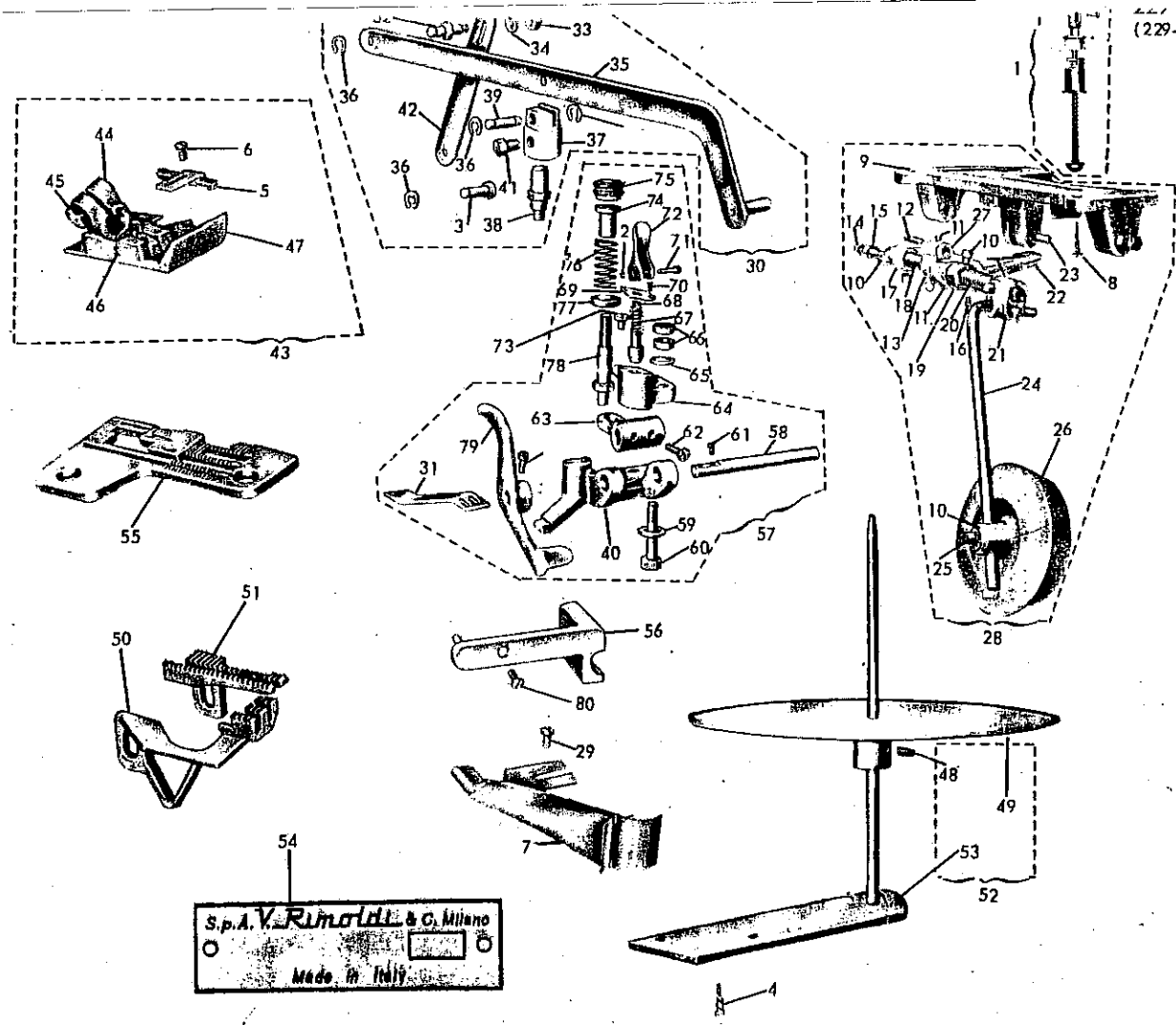


REF. N°	PART. N°	DESCRIPTION	QUANT.	REF. N°	PART. N°	DESCRIPTION	QUANT.
1	G.270-556	shaft diff. lever control complete	1	40	297-PDB-401	body, ruffler	1
2	270-701	washer spring	2	41	038-C-7	bolt assembly fixing	1
3	27.01-PDB-558	pin attachment	1	42	27.01-PDB-516	lever rear	1
4	270-989	screw	1	43	G.297-PDB-181/1	presserfoot complete	1
5	297-PDB-183	tongue	1	44	297-1921	plate chaining guide	1
6	781372-0-00	plate machine class	1	45	297-179	pin	1
7	297-187	bolt	1	46	297-194	spring	1
8	TS. 22x35	screw for attaching knee control	4	47	297-182	clamp	1
9	270-570	support knee control	1	48	297-906	bolt	1
10	038-M-9	screw knee control	9	49	297-PDB-184/1	shoe presserfoot	1
11	005-G-6	screw pin locking	2	50	297-PDB-050	feed dog, front	1
12	270-580	pin junction	2	51	297-PDB-051	feed dog, rear	1
13	270-579	anchor knee control	1	52	297-195	bush threaded	1
14	270-998	screw pointed for knee control	2	53	297-PDB-114	needle plate (bight width 9/32")	1
15	059-P-8	nut for pointed screw	2	54	PM.27.01-PD-417/1	bracket stop	1
16	005-L-11	screw for pin	1	55	G.297-PD-401	ruffler complete	1
17	270-578	lever holding knee control junction	1	56	297-PDB-403	blade spindle carrying	1
18	270-571	shaft knee control	1	57	065-L-6	washer	1
19	270-720	collar spring tensioning	1	58	297-PDB-418	bolt long shank for ruffler support	1
20	270-575	spring knee control return	1	59	004-L-6	screw blade attachment	2
21	270-572	attachment knee control	1	60	001-E-6	screw	4
22	270-576	arm knee control rocker	1	61	297-PDB-407	lever blade pressure	1
23	270-581	pin rocker arm	1	62	297-PDB-408	support, ruffler	1
24	270-573	rod carrying knee control disc	1	63	064-D-5	washer	1
25	270-574	disc knee control	1	64	057-P-5	nut	2
26	270-582	covering knee control	1	65	297-PDB-444	spring ferrule pressure	1
27	270-577	joint knee control	1	66	297-PDB-442	stop pin ruffler	1
28	G.270-570	assembly knee control for operating diff.	1	67	297-PDB-441	guide plate stop pin	1
29	001-D-7	screw bracket fixing	1	68	028-B-5	screw fixing stop pin guide plate	2
30	G.297-PDB-515	assembly for automatic control or ruffler	1	69	270-078	pin stop pin lever fulcrum	1
31	297-PDB-402	blade ruffler	1	70	270-094	lever stop pin	1
32	27.01-PDB-518	pin rear lever	1	71	039-R-8,5	screw fixing ruffler	1
33	053-D-4	nut	1	72	1032 a	bush load-spring	1
34	070-F-4	washer	1	73	160-032	knob load-spring	1
35	PM.297-PDB-515	lever ruffler control	1	74	297-PDB-443	load-spring ruffler blade	1
36	270-702	IDEAL spring clips	3	75	240-035	spring retainer	1
37	27.01-PDB-517	fulcrum ruffler control lever	1	76	160-030	pin for spring	1
38	27.01-PDB-519	pin threaded for fulcrum	1	77	PM.297-PDB-406	lever ruffler control with hub	1
39	27.01-PDB-520	pin fulcrum	1				

On request:
 297-PDB-1141 Tab. 32
 297-PDB-4021 32

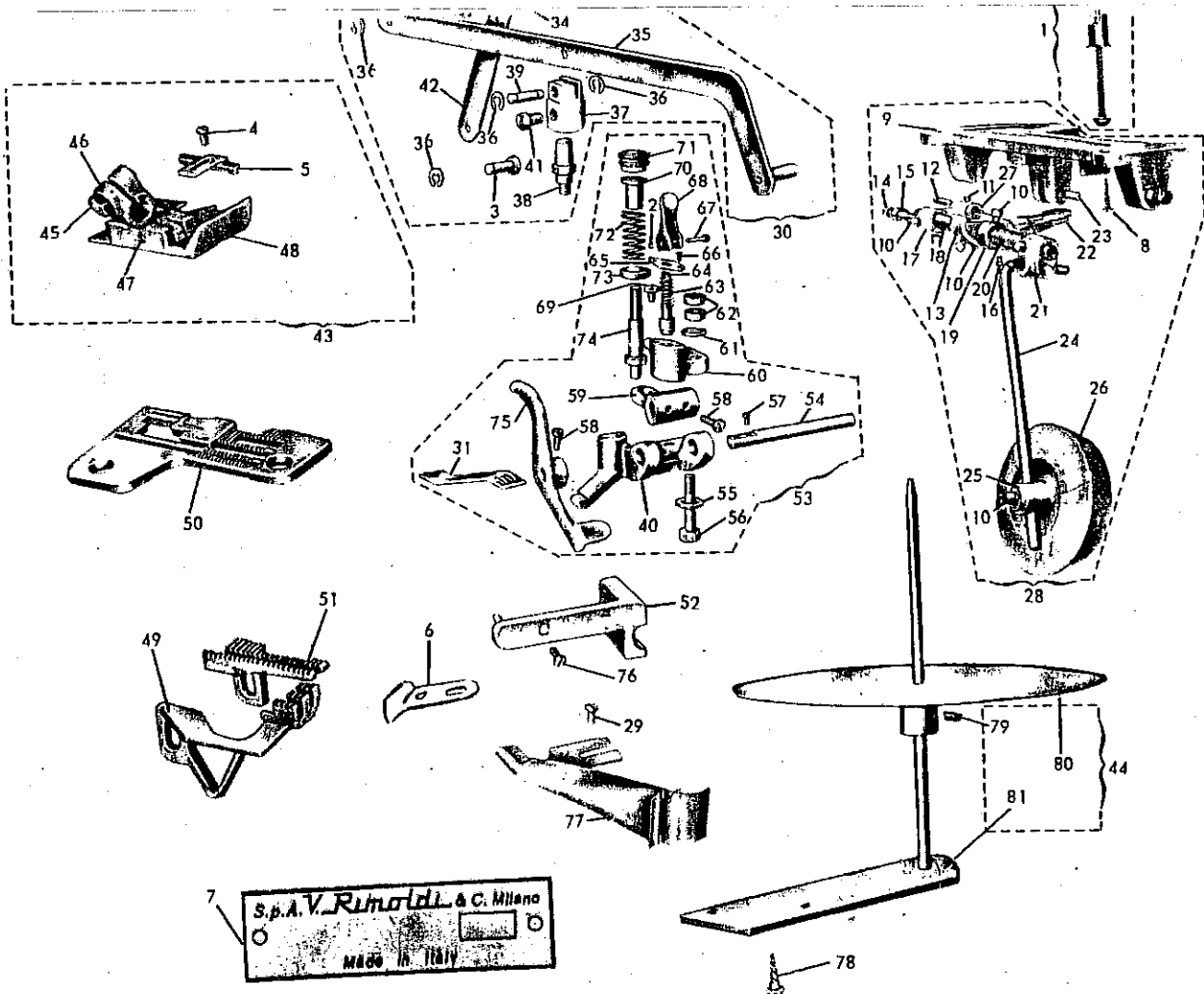


REF. N°	PART. N°	DESCRIPTION	QUANT.	REF. N°	PART. N°	DESCRIPTION	QUANT.
1	G.270-556	lever differential control	1	40	297-PDB-401	body ruffler	1
2	270-701	washer spring	2	41	038-C-7	bolt assembly fixing	1
3	27.01-PDB-558	pin attachment	1	42	27.01-PDB-516	lever rear	1
4	270-989	screw	1	43	G.291-PDB-181/1	presserfoot complete	1
5	297-PDB-183	tongue	1	44	297-194	spring	1
6	297-906	bolt	1	45	297-195	threaded bush	1
7	297-187	bolt	1	46	297-179	pin	1
8	TS. 22x35	screw for attaching knee control	4	47	29.17-182	clamp	1
9	270-570	support knee control	1	48	29.17-PDB-184/1	shoe presserfoot	1
10	038-M-9	screw knee control	9	49	29.17-PDB-050	feed dog, front	1
11	005-G-6	screw pin locking	2	50	29.17-PDB-114	plate needle	1
12	270-580	pin junction	2	51	29.17-PDB-051	feed dog rear	1
13	270-579	anchor knee control	1	52	PM.27.01-PD-417/1	bracket stop	1
14	270-998	screw pointed for knee control	2	53	G.297-PDB-401	ruffler complete	1
15	059-P-8	nut for pointed screw	2	54	297-PDB-403	spindle carrying blade	1
16	005-L-11	screw for pin	1	55	065-L-6	washer	1
17	270-578	lever holding knee control junction	1	56	297-PDB-418	bolt long shank for ruffler support	1
18	270-571	shaft knee control	1	57	004-L-6	screw blade attachment	1
19	270-720	collar spring tensioning	1	58	001-E-6	screw	4
20	270-575	spring knee control return	1	59	297-PDB-407	lever blade pressure	1
21	270-572	attachment knee control	1	60	297-PDB-408	ruffler support	1
22	270-576	arm knee control rocker	1	61	064-D-5	washer	1
23	270-581	pin rocker arm	1	62	057-P-5	nut	2
24	270-573	rod carrying knee control disc	1	63	297-PDB-444	spring stop pin pressure	1
25	270-574	disc knee control	1	64	297-PDB-442	stop pin ruffler	1
26	270-582	covering knee control	1	65	297-PDB-441	plate stop pin guide	1
27	270-577	joint knee control	1	66	028-B-5	screw fixing stop pin guide plate	2
28	G.270-570	knee control assembly for operating diff.	1	67	270-078	pin stop pin lever fulcrum	1
29	29.17-1921	chaining guide plate	1	68	270-094	lever stop pin	1
30	G.297-PDB-515	assembly for automatic control or ruffler	1	69	039-R-8,5	screw ruffler	1
31	297-PDB-402	blade ruffler	1	70	1032 a	bush load-spring	1
32	27.01-PDB-518	pin rear lever	1	71	160-032	knob-load-spring	1
33	053-D-4	nut	1	72	297-PDB-443	spring tucker blade loading	1
34	070-F-4	washer	1	73	240-035	retainer spring	1
35	PM.297-PDB-515	lever ruffler control	1	74	160-030	pin for spring	1
36	270-702	clip IDEAL spring	3	75	PM.297-PDB-406	lever ruffler control with hub	1
37	27.01-PDB-517	fulcrum ruffler control lever	1	76	001-D-7	screw fixing bracket	1
38	27.01-PDB-519	pin threaded mounting fulcrum	1	77	781373-0-00	plate machine class	1
39	27.01-PDB-520	pin fulcrum	1			On request:	
						297-PDB-4021	Tab. 32
						297-PDB-9031	" 32

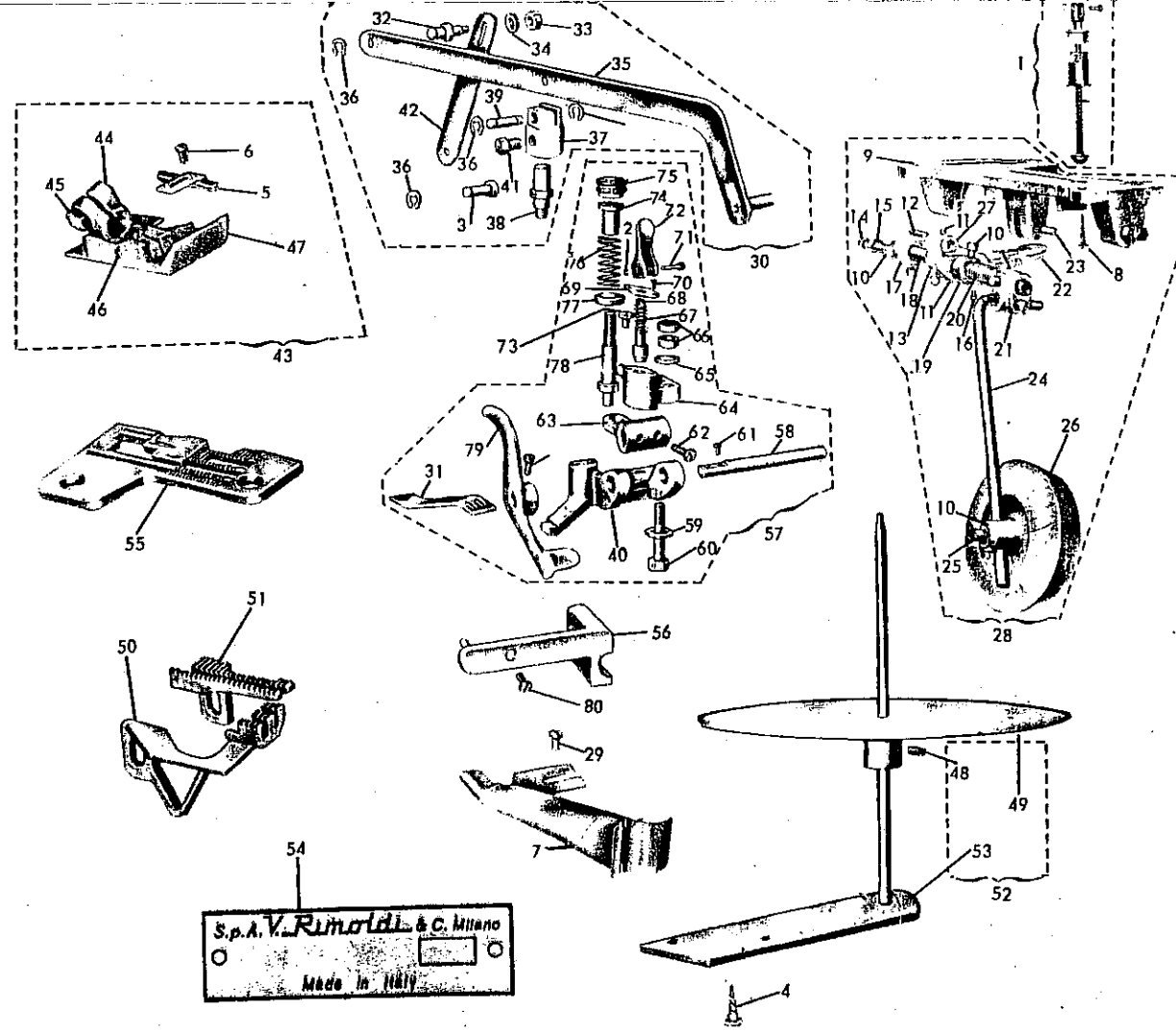


REF. N°	PART. N°	DESCRIPTION	QUANT.	REF. N°	PART. N°	DESCRIPTION	QUANT.
1	G.270-556	lever differential control	1	41	038-C-7	bolt assembly fixing	1
2	270-701	washer spring	1	42	27.01-PDB-516	lever rear	1
3	27.01-PDB-558	pin attachment	1	43	G.297PDBO-181/1	presserfoot complete	1
4	TS. 20 x 30	screw wood, for fixing reel holder	1	44	297-182	clamp	1
5	297-PDB-183	tongue	1	45	297-906	bolt	1
6	270-989	screw	1	46	297-179	pin	1
7	PM297PDBO413	guide for 5/64" cord	1	47	297PDBO-184/1	shoe	1
8	TS. 22 x 35	screw attaching knee control to table	4	48	017-E-7	grub screw for locking plate	2
9	270-570	support knee control	1	49	PM2726PDBO9375	plate complete	1
10	038-M-9	screw knee control	9	50	297-PDB-050	feed dog, front	1
11	005-G-6	screw pin locking	2	51	297-PDB-051	feed dog, rear	1
12	270-580	pin junction	2	52	G2726PDBC9375	holder reel	1
13	270-579	anchor knee control	1	53	PM.602-141/1	base with rod	1
14	270-998	screw pointed for knee control	2	54	781390-0-00	plate machine class	1
15	059-P-8	nut for pointed screw	2	55	297-PDB-114	needle plate	1
16	005-L-11	screw for pin	1	56	PM2701PD417/1	bracket stop	1
17	270-578	lever holding knee control junction	1	57	G.297-PDB-401	ruffler complete	1
18	270-571	shaft knee control	1	58	297-PDB-403	spindle carrying blade	1
19	270-720	collar spring tensioning	1	59	065-L-6	washer	1
20	270-575	spring knee control return	1	60	297-PDB-418	bolt long shank for ruffler support	2
21	270-572	attachment knee control	1	61	004-L-6	screw blade attachment	2
22	270-576	arm knee control rocker	1	62	001-E-6	screw	4
23	270-581	pin rocker arm	1	63	297-PDB-407	lever blade pressure	1
24	270-573	rod carrying knee control disc	1	64	297-PDB-408	ruffler support	1
25	270-574	disc knee control	1	65	064-D-5	washer	1
26	270-582	covering knee control	1	66	057-P-5	nut	2
27	270-577	joint knee control	1	67	297-PDB-444	spring stop pin pressure	1
28	G.270-570	assembly knee control for operating diff.	1	68	297-PDB-442	stop pin ruffler	1
29	001-E-7	screw fixing guide	1	69	297-PDB-441	plate stop pin guide	1
30	G.297-PDB-515	assembly for automatic control of ruffler	1	70	028-B-5	screw fixing stop pin guide plate	2
31	297-PDB-402	blade ruffler	1	71	270-078	pin stop pin lever fulcrum	1
32	27.01-PDB-518	pin rear lever	1	72	270-094	lever stop pin	1
33	053-D-4	nut	1	73	039-R-8.5	screw fixing ruffler	1
34	070-F-4	washer	1	74	1032 a	bush load-spring	1
35	PM.297-PDB-515	lever ruffler control	1	75	160-032	knob load-spring	1
36	270-702	clip IDEAL spring	3	76	297-PDB-443	spring ruffler blade loading	1
37	27.01-PDB-517	fulcrum ruffler control lever	1	77	240-035	retainer spring	1
38	27.01-PDB-519	pin threaded for mounting fulcrum	1	78	160-030	pin for spring	1
39	27.01-PDB-520	pin fulcrum	1	79	PM.297PDB406	lever ruffler control with hub	1
40	297-PDB-401	body ruffler	1	80	001-D-7	screw fixing bracket	1

On request:

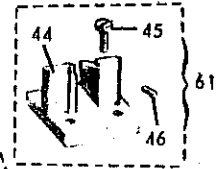
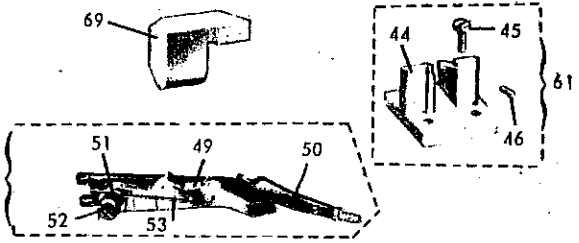
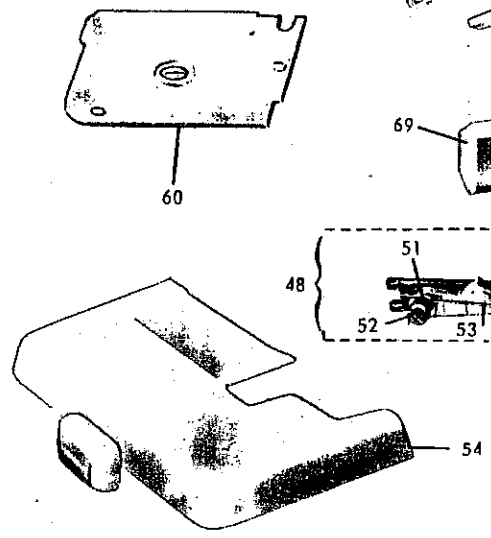
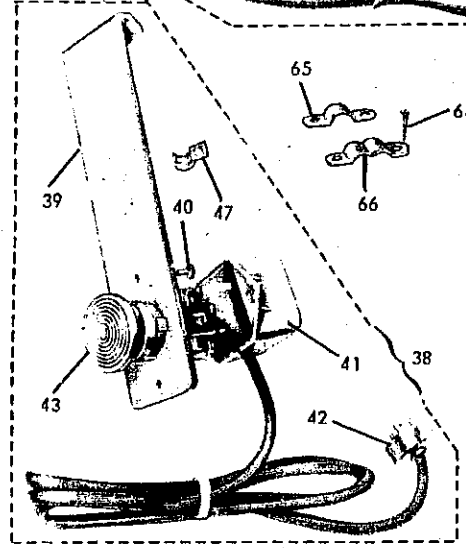
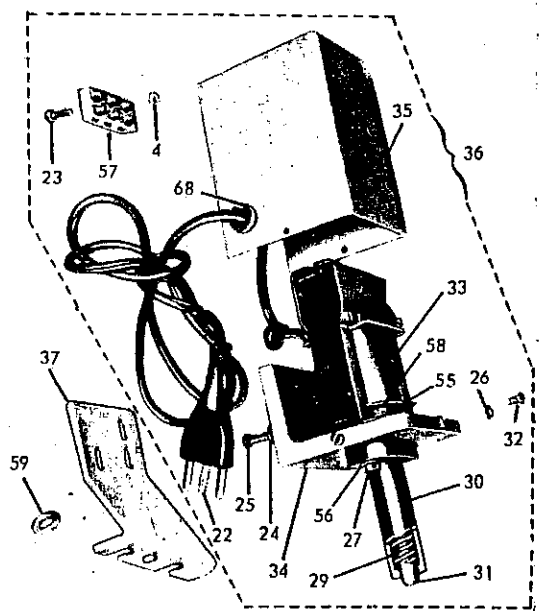
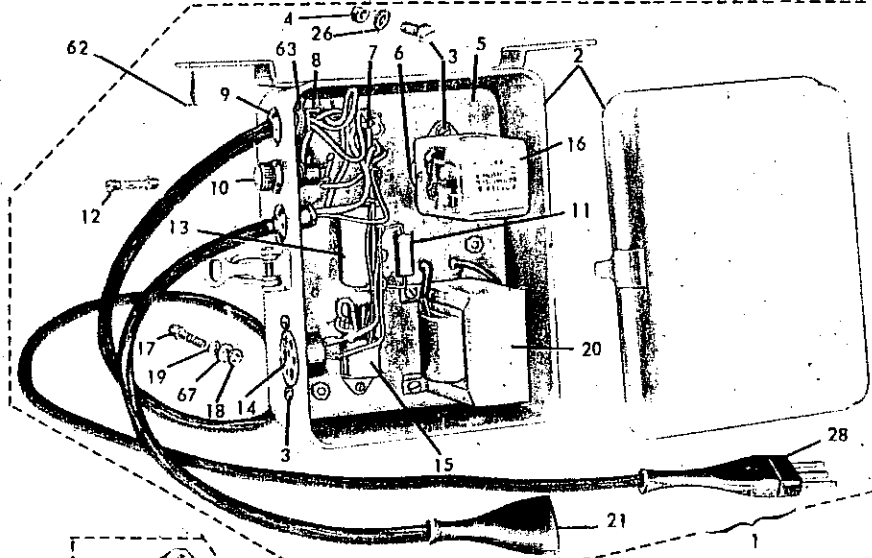


REF. N°	PART. N°	DESCRIPTION	QUANT.	REF. N°	PART. N°	DESCRIPTION	QUANT.
1	G.270-556	lever differential control	1	42	27.01-PDB-516	lever rear	2
2	270-701	washer spring	1	43	G291PDBO181.1	presserfoot complete	1
3	27.01-PDB-558	pin attachment	1	44	G2726PDBO9375	holder reel	1
4	270-989	screw	1	45	297-906	bolt	1
5	297-PDBO-183	tongue	1	46	297-182	clamp	1
6	291-PDB-110	needle guard front	1	47	297-179	pin	1
7	781391-0-00	plate machine class	1	48	291-PDBO-184.1	shoe presserfoot	1
8	TS. 22 x 35	screw for attaching knee control	4	49	291-PDB-050	feed dog, front	1
9	270-570	support knee control	1	50	297-PDB-114	needle plate (bight width 9'32'')	1
10	038-M-9	screw knee control	9	51	291-PDB-051	feed dog, rear	1
11	005-G-6	screw pin locking	2	52	PM.2701PD417.1	bracket stop	1
12	270-580	pin junction	2	53	G.297-PDB-401	ruffler complete	1
13	270-579	anchor knee control	1	54	297-PDB-403	spindle carrying plate	1
14	270-998	screw pointed for knee control	2	55	065-L-6	washer	1
15	059-P-8	nut for pointed screw	2	56	297-PDB-418	bolt long shank for ruffler support	1
16	005-L-11	screw for pin	1	57	004-L-6	screw blade attachment	1
17	270-578	lever holding knee control junction	1	58	001-E-6	screw	4
18	270-571	shaft knee control	1	59	297-PDB-407	lever blade pressure	1
19	270-720	collar spring tensioning	1	60	297-PDB-408	support, ruffler	1
20	270-575	spring knee control return	1	61	061-D-5	washer	1
21	270-572	attachment knee control	1	62	057-P-5	nut	2
22	270-576	arm knee control rocker	1	63	297-PDB-444	spring stop pin pressure	1
23	270-581	pin rocker arm	1	64	297-PDB-442	stop pin ruffler	1
24	270-573	rod carrying knee control disc	1	65	297-PDB-441	plate stop pin guide	1
25	270-574	disc knee control	1	66	028-B-5	screw fixing stop pin guide plate	2
26	270-582	covering knee control	1	67	270-078	pin stop pin lever fulcrum	1
27	270-577	joint knee control	1	68	270-094	lever stop pin	1
28	G.270-570	assembly knee control for operating diff.	1	69	039-R-8,5	screw fixing ruffler	1
29	001-E-7	screw fixing guide	2	70	1032 a	bush load-spring	1
30	G.297-PDB-515	assembly for automatic control of ruffler	1	71	160-032	knob load-spring	1
31	297-PDB-402	blade, ruffler	1	72	297-PDB-443	spring ruffler blade loading	1
32	27.01-PDB-518	pin rear lever	1	73	240-035	retainer spring	1
33	053-D-4	nut	1	74	160-030	pin for spring	1
34	070-F-4	washer	1	75	PM.297-PDB-406	lever ruffler control with hub	1
35	PM.297-PDB-515	lever ruffler control	1	76	001-D-7	screw fixing bracket	1
36	270-702	clip IDEAL spring	3	77	PM297PDBO413	guide for 5/64" cord	1
37	27.01-PDB-517	fulcrum ruffler control lever	1	78	TS. 20 x 30	screw	2
38	27.01-PDB-519	pin threaded mounting fulcrum	1	79	017-E-7	grub screw	1
39	27.01-PDB-520	pin fulcrum	1	80	PM2726PDBO1425	plate complete	1
40	297-PDB-401	ruffler body	1	81	PM.602-141.1	base with rod	1
41	038-C-7	bolt assembly fixing	1			On request:	
						297-PDB-4021	Tab. 32
						297-PDB-4031	" 32
						PM.297-PDBO-4131	" 32



REF. N°	PART. N°	DESCRIPTION	QUANT.	REF. N°	PART. N°	DESCRIPTION	QUANT.
1	G.270-556	lever differential control	1	41	038-C-7	bolt assembly fixing	1
2	270-701	washer spring	1	42	27.01-PDB-516	lever rear	1
3	27.01-PDB 558	pin attachment	1	43	G.297PDB0181/1	presserfoot complete	1
4	TS. 20x 30	screw, wood, for fixing reel holder	1	44	297-182	clamp	1
5	297-PDB-183	tongue	1	45	297 906	bolt	1
6	270 989	screw	1	46	297-179	pin	1
7	PM297PDBO413	guide for 5/64" cord	1	47	297PDBO184/1	shoe	1
8	TS 22 x 35.	screw attaching knee control to table	4	48	017-E-7	grub screw for locking plate	2
9	270 570	support knee control	1	49	PM2726PDBO9375	plate complete	1
10	038-M 9	screw knee control	9	50	297-PDB 050	feed dog, front	1
11	005-G-6	screw pin locking	2	51	297-PDB-051	feed dog, rear	1
12	270-580	pin junction	2	52	G2726PDBO9375	holder reel	1
13	270-579	anchor knee control	1	53	PM.602-141/1	base with rod	1
14	270-998	screw pointed for knee control	2	54	781390-0-00	plate machine class	1
15	059-P-8	nut for pointed screw	2	55	297-PDB-114	needle plate	1
16	005 L-11	screw for pin	1	56	PM2701PD 417/1	bracket stop	1
17	270 578	lever holding knee control junction	1	57	G.297-PDB-401	ruffler complete	1
18	270 571	shaft knee control	1	58	297-PDB-403	spindle carrying blade	1
19	270 720	collar spring tensioning	1	59	065-L-6	washer	1
20	270 575	spring knee control return	1	60	297 PDB-418	bolt long shank for ruffler support	2
21	270 572	attachment knee control	1	61	004-L-6	screw blade attachment	2
22	270 576	arm knee control rocker	1	62	001-E-6	screw	4
23	270 581	pin rocker arm	1	63	297-PDB-407	lever blade pressure	1
24	270 573	rod carrying knee control disc	1	64	297-PDB-408	ruffler support	1
25	270 574	disc knee control	1	65	064-D-5	washer	1
26	270-582	covering knee control	1	66	057-P-5	nut	2
27	270-577	joint knee control	1	67	297-PDB-444	spring stop pin pressure	1
28	G.270-570	assembly knee control for operating diff.	1	68	297-PDB-442	stop pin ruffler	1
29	001-E-7	screw fixing guide	1	69	297-PDB-441	plate stop pin guide	1
30	G.297-PDB-515	assembly for automatic control of ruffler	1	70	028-B-5	screw fixing stop pin guide plate	2
31	297-PDB-402	blade ruffler	1	71	270-078	pin stop pin lever fulcrum	1
32	27.01-PDB-518	pin rear lever	1	72	270-094	lever stop-pin	1
33	083D-4	nut	1	73	039-R-8.5	screw fixing ruffler	1
34	070-F-4	washer	1	74	1032 a	bush load-spring	1
35	PM297-PDB-515	lever ruffler control	1	75	160-032	knob load-spring	1
36	270-702	clip IDEAL spring	3	76	297-PDB-443	spring ruffler blade loading	1
37	27.01-PDB-517	fulcrum ruffler control lever	1	77	240-035	retainer spring	1
38	27.01-PDB-519	pin threaded for mounting fulcrum	1	78	160-030	pin for spring	1
39	27.01-PDB-520	pin fulcrum	1	79	PM.297-PDB-406	lever ruffler control with hub	1
40	297-PDB-401	body ruffler	1	80	001-D-7	screw fixing bracket	1
On request:							
						297-PDB-1141	Tab. 32
						297-PDB-4021	" 32
						297-PDB-4031	" 32
						PM 297-PDBO-4131	" 32

ATTACHMENT
(W1) 100



WARNING: the apparatus is designed for 220 V. For different voltages run through an auto-transformer, design no. SUT. 1745.00, with relative connectors, design no. PM T 11-127

REF. N°	PART. N°	DESCRIPTION	QUANT.	REF. N°	PART. N°	DESCRIPTION	QUANT.
1	AS.270-W1-333	control box complete	1	36	AS.270-W1-351	solenoid assembly complete	1
2	G.270 W1-333	control box electric	1	37	270-W1-323	bracket	1
3	C.001-C-10	screw	11	38	G.270-W-3340	push-button complete	1
4	057-B-3	nut	13	39	270-W-3300	bracket push-button	1
5	270 W1-373	panel	1	40	001-E-5	screw	4
6	270-W1-378	base	1	41	270-W-3310	cover	1
7	T 11-22	anchoring	1	42	270-W-3700	plug 4 - pin	1
8	T 11-30	terminal cable	1	43	270-W-3340	push-button	1
9	270 W1-3721	grommet	2	44	270-W-6400.3	bracket slide guide	1
10	270-W1 363	fuse holder	1	45	008-A-12	screw	1
11	T 11 16:3	resistor	1	46	270-716	screw	1
12	T 11-33:3	fuse	1	47	122-T-37	cable-guide	2
13	T 11-21	condenser electronic	1	48	G.297-W-3220 1	lever complete	1
14	270-W-3680	socket push-button	1	49	270-W-3220	lever chain-cutting	1
15	T 11-14	rectifier	1	50	PM.297-W-0760.1	lever, presserfoot holder	1
16	270-W1-379	relay	1	51	270-W-3280	washer	1
17	C.001 E-30	screw	3	52	270-W-3250	screw for spring	1
18	053-D-4	nut	3	53	270-W-3240	spring knife return	1
19	063-L-4	washer	6	54	G.297-W1-210.3	work-plate	1
20	T 11 13	transformer	1	55	270-W-3540	washer	4
21	270 W1-369	socket	1	56	633-710/1	washer	2
22	270 W1-372	plug with earth	2	57	122-T-215	board terminal	1
23	C 001 C-14	screw	2	58	001-E-8	screw	4
24	064 L 5	washer	3	59	065 C-6	washer	2
25	270-W-3550	screw	3	60	297-W-2470/1	shield, oil	1
26	270 W1-355	washer star	12	61	G.270-W-6400:3	bracket slide guide	1
27	001-E-12	screw	2	62	TT 20 x 25	screw wood	4
28	T 11-126	plug with earth	1	63	270-W1-328	holder cable	2
29	270 W1 346	spring	1	64	270-459	nails for cable guide	30
30	270-W1 345	slaeve	1	65	546	cable guide single	10
31	270-W1-349	contact point	1	66	547	cable guide double	5
32	C.001-C-7	screw	3	67	T 11-355	washer star	3
33	270-W1-351	solenoid	1	68	270-W1-327	grommet	1
34	PM.270 W1-332	bracket	1	69	270-253 TC 30	gasket slide guide	1
35	PM.270-W1-343	cover solenoid	1				

PARTS SUPPLIED ON REQUEST ONLY

	AS.297-403	Ref. N.	N. DRAW.	DENOMINATION	Quant.	USE ON
	1	AS.297-403		guide, swing-out complete	1	229.00.05
	2	255-404		screws	2	
	3	PM.297-404		guide	1	
	4	G.276-D.403/2		support swivel complete	1	
	5	032-F.6,5		screw for eccentric	1	
	6	605-412		eccentric	1	
	7	057-E.4		nut	1	
	8	276-B.412		washer spring	1	
	9	011-E.13		screw with collar	1	
	10	276-B.417/1		support guide	1	
	11	276-D.407/2		support swivel	1	
12	039R 8, 5		screw	1		

297-PDB.4021	297-PDB.4031
USE ON	
229.22.01 = 229.22.02 = 229.22.03 = 229.22.04 229.23.01 = 229.23.02 = 229.23.03 = 229.23.04	

NEEDLE PLATE	297-PDB.1141
USE ON	
229.22.01 229.22.03 229.23.01 229.23.03	

CORD GUIDE	PM.297-PDB.4131
USE ON	
229.23.01 229.23.02 229.23.03 229.23.04	

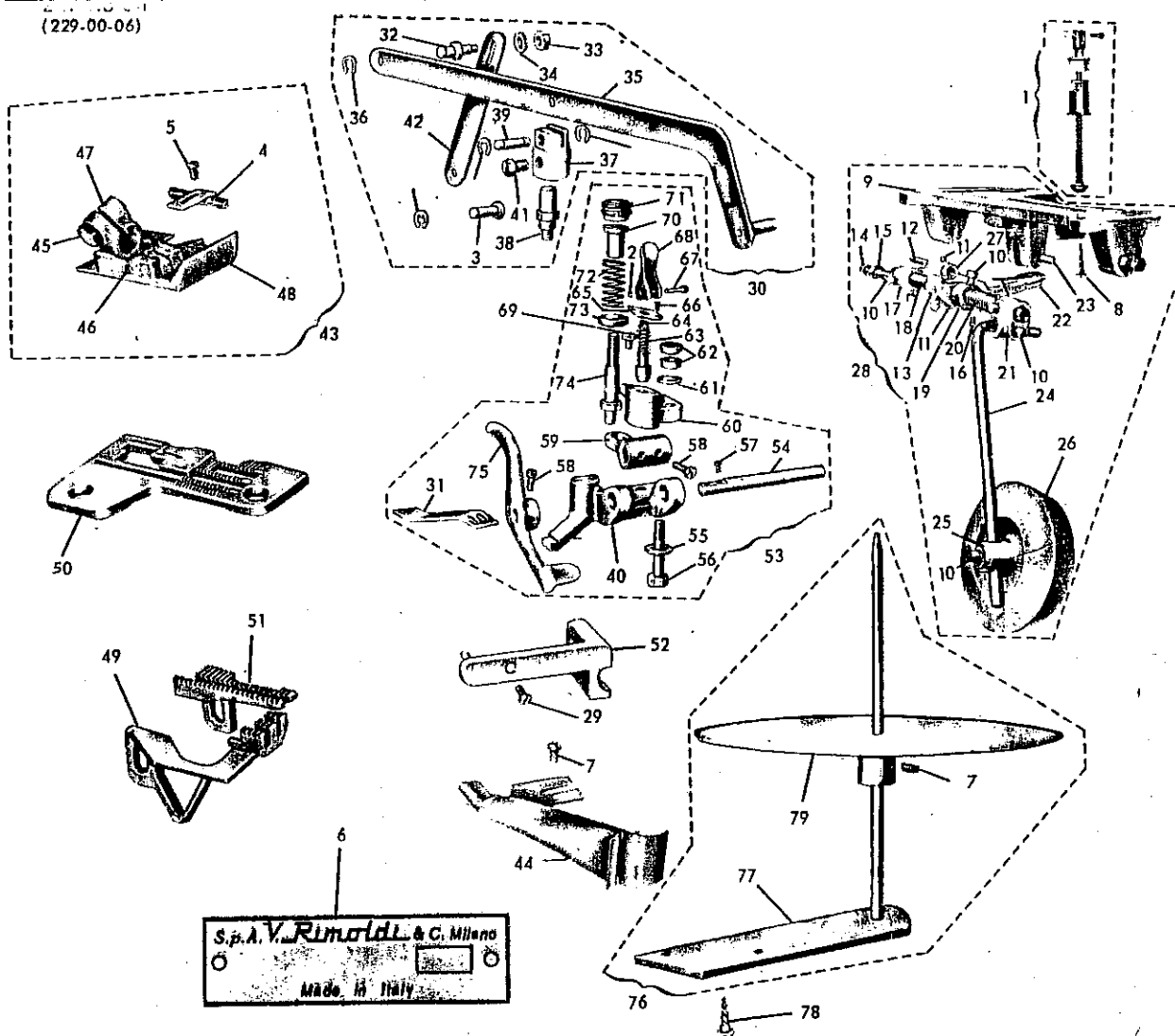
NEEDLE PLATE	297-1141/1
USE ON	
229.00.05	

FRONT FEED DOG	29.17-0501
USE ON	
229.00.06	

REAR FEED DOG	29.17-0511
USE ON	
229.00.06	

FRONT FEED DOG	297-0501/1
USE ON	
229.00.05	

REAR FEED DOG	297-0511
USE ON	
229.00.05	



REF. N°	PART. N°	DESCRIPTION	QUANT.	REF. N°	PART. N°	DESCRIPTION	QUANT.
1	G.270-556	lever differential control	1	41	038-C-7	bolt assembly fixing	1
2	270-701	washer spring	3	42	27.01-PDB-516	lever rear	1
3	27.01-PDB-558	pin attachment	1	43	G2917PDBO141	presserfoot complete	1
4	297-PDBO-183	tongue	1	44	PM297PDBO413	guide for 5 64" cord	1
5	270-989	screw	1	45	297-906	bolt	1
6	781393-0-00	plate machine class	1	46	297-179	pin	1
7	001-E-7	screw	2	47	29.17-182	clamp	1
8	TS. 22 x 35	screw attaching knee control to table	4	48	2917PDBO184	shoe presserfoot	1
9	270-570	support knee control	1	49	2917-PDB-050	feed dog, front	1
10	038-M-9	screw knee control	9	50	2917-PDB-114	needle plate (bight width 27/64")	1
11	005-G-6	screw pin locking	2	51	2917-PDB-051	feed dog, rear	1
12	270-580	pin junction	2	52	PM2701PD417/1	bracket stop	1
13	270-579	anchor knee control	1	53	G297PDB-401	ruffler complete	1
14	270-998	screw pointed for knee control	2	54	297-PDB-403	spindle carrying plate	1
15	059-P-8	nut for pointed screw	2	55	065-L-6	washer	1
16	005-L-11	screw for pin	1	56	297-PDB-418	bolt long shank for ruffler support	1
17	270-578	lever holding knee control junction	1	57	004-L-6	screw blade attachment	2
18	270-571	shaft knee control	1	58	001-E-6	screw	4
19	270-720	collar spring tensioning	1	59	297-PDB-407	lever blade pressure	1
20	270-575	spring knee control return	1	60	297-PDB-408	support ruffler	1
21	270-572	attachment knee control	1	61	064 D-5	washer	1
22	270-576	arm knee control rocker	1	62	057-P-5	nut	2
23	270-581	pin rocker arm	1	63	297-PDB-444	spring stop pin pressure	1
24	270-573	rod carrying knee control disc	1	64	297 PDB-442	stop pin ruffler	1
25	270-574	disc knee control	1	65	297-PDB-441	plate stop pin guide	1
26	270-582	covering knee control	1	66	028-B-5	screw fixing stop pin guide plate	2
27	270-577	joint knee control	1	67	270-078	pin stop pin lever fulcrum	1
28	G.270-570	knee control assembly for operating diff.	1	68	270-094	lever stop pin	1
29	001-D-7	screw	1	69	039-R-8,5	screw fixing ruffler	1
30	G.297-PDB-515	assembly for automatic control of ruffler	1	70	1032 a	bush load spring	1
31	297-PDB-402	blade ruffler	1	71	160-032	knob load spring	1
32	27.01-PDB-518	pin rear lever	1	72	297-PDB-443	spring ruffler blade loading	1
33	053-D-4	nut	1	73	240-035	retainer spring	1
34	070-F-4	washer	1	74	160-030	pin for spring	1
35	PM297-PDB-515	lever ruffler control	1	75	PM297-PDB-406	lever ruffler control with hub	1
36	270-702	clip IDEAL spring	1	76	G2726PDBO9375	holder reel	1
37	27.01-PDB-517	fulcrum ruffler control lever	1	77	PM.602-141 1	base with rod	1
38	27.01-PDB-519	pin threaded mounting fulcrum	1	78	TS. 20 x 30	screw fixing	2
39	27.01-PDB-520	pin fulcrum	1	79	PM2726PDBO1425	plate complete	1
40	297-PDB-401	body, ruffler	1			On request:	
						297-PDB-4021	Tab. 32
						297 PDB-4031	" 32
						PM 297 PDBO 4171	" 32

NUMERICAL INDEX OF PARTS

N. DIS.	TAV.	N. DIS.	TAV.	N. DIS.	TAV.	N. DIS.	TAV.
RIM 27	5-13	070-F 4	3-6	PM 270-060/1	2	270-271	9
001-A 3,2	7-12-16-17	070-M 4,5	3	270-061/2	2	270-274/3	9
		071-D 5	6-18	270-062	2	270-275/1	9
001-A 4,3	7	071-E 5	5	270-063/2	4	270-287/1	3
001-C 5,5	9	071-H 5	3	270-064	4	270-288/1	3
001-D 4,5	8	071-M 5,5	3	270-065/3	4	PM.270-301	8
001-D 6	8	072-C 6	4	G 270-065/3	4	270-303	8
001-D 7	8	072-H 6	4	270-066/2	8	270-WI.328	10
001-D 10	8	073-A 8	3	270-067	4	AS.270-410	10
001-E 6	9	073-C 8	3	270-069	4	270-422	10
001-E 7	5-10	073-F 9	5-6	270-070	4	PM.270-428	10
001-E 10	2	073-M 10	2	270-073	7	270-430	10
001-E 18	1	073-N 10	4	270-D.074/1	4	270-431	13
001-G 10	5-11-12	074-A 12	2	270-077	7	270-432	10
003-B 6	3	092-A 10	5-16	270-078	8	270-434	10
003-L 12	6	092-B 1	3-4-5	270-081/1	7	270-435	10
004-A 2,5	9	092-C 2	2-4-6	PM.270-081/1	7	270-459	11
004-C 5,5	9	092-D 5	5	270-082/1	1	270-552	11
004-E 7	2	092-D 6	3-5	270-083	7	270-553	11
004-F 4	6-18	092-D 7	4	270-085/1	7	270-554	11
004-G 7	9	092-D 9	6	270-086	8	270-556/1	11
004-L 7	3	092-D 11	3-4-5-7	270-087/1	7	270-557	11
004-L 8	8	092-D 12	3	270-089/1	7	270-558	11
004-N 5,5	9	092-D 14	2	270-090/1	8	PM.270-562/2	3
004-P 6	3	092-D 16	4	G.270-090/1	8	270-566/1	3
005-G 6	11	VR 604	13	270-091	7	270-567	3
005-L 11	3-11	TS 20x30	12	270-093/1	8	270-568	3
005-M 7	18	TS 22x35	11	270-094	8	270-570	11
005-M 10	8	01141	12	PM.270-095/3	8	G.270-570	11
007-C 11	3-5-6	01160/2	13	270-096/1	6	270-571	11
007-H 25	8	01161/2	13	270-097/1	1-6	270-572	11
007-M 15	10	01205 a	8	270-098	6	270-574	11
007-P 10	6-18	490/2	12	270-100	6	270-573	11
007-R 7,5	8	G 497	12	270-101	6	270-575	11
010-D 11,5	2	569	12	270-102	6	270-576	11
010-H 13,7	2	1145	12	270-103	6	270-577	11
011-E 13	32	1146	12	270-106	6	270-578	11
016-A 2,5	5-16	1156/1	13	270-108/1	6	270-579	11
016-B 2,5	4-5-9-10	1158	13	270-110	8	270-580	11
016-B 3	4	PM 1159	11	270-116/2	2	270-581	11
016-B 4	4	1175	13	270-129/1	8	270-582	11
016-F 5	12	4030-06	3	270-130	5	270-583	11
016-F 10	12	128-608/5	2	270-131	5	G.270-583	11
017-C 3	2	250-143	12	270-132/1	5	270-584	11
017-C 4,5	2-4	250-471	3-4-6	270-133/1	5	270-585	11
017-E 4,5	8	250-708	5	270-135	5	270-586/1	11
017-E 8	3	250-708/1	5	PM.270-137/1	5	270-588	11
017-F 11	4	255-404	32	PM.270-138/1	5	270-589/1	11
017-H 12	10	270-004	11	270-155/1	13	270-590/2	11
023-N 5,5	3-5	PM 270-005/1	11	270-157	12	270-610	2
026-C 7	3-8	G 270-005/3	11	270-158/1	12	270-611/1	3
026-E 10	8	270-006/1	5	270-174	8	270-612/1	2
028-A 5	3-4	270-007/1	5	270-175	8	270-613	2
028-B 13	6	270-008/1	2	270-188	7	270-614	2
028-E 10	8-10	270-009/4	2	PM.270-208/3	8	270-617/2	2
032-A 6	9	270-010/2	2	270-212	8	270-620	2
032-F 6,5	32	270-016	1	270-214	8	270-623/1	8
032-F 9,5	8	270-030	8	270-221	8	270-624	8
032-L 10,5	7	270-030/2	8	270-226	8	270-640/3	3
036-C 7	9	270-031/1	3-5	270-230	9	270-642	1
038-M 9	11	270-032/3	3	270-231	8	270-645	10
039-A 6	7	270-033/1	3	270-232/1	9	G.270-646	10
039-G 10	10	270-034	3	270-232/2	9	PM.270-646/1	10
039-H 9	3	270-035	3	270-233	9	270-650	10
039-R 8,5	32	270-036/1	3	270-234/1	9	270-651	10
051-L 10	11	270-038/3	3	270-235/1	9	270-652	10
053-H 8	12	PM 270-038/3	3	270-241/2	8	270-701	7-8-11
054-D 4	8	270-039	3	PM.270-245/3	8	270-702	3
057-A 3	10	270-040	3	270-246	8	270-704	2
057-E 4	8-32	270-041/1	3	270-248/1	8	270-705	2
057-G 4	3	270-042/3	1	270-249/1	3	270-707	2
058-M 10	11	270-044/2	1	270-250/2	3	270-708	5
059-A 5	11	PM 270-045/2	3	270-251/1	3	270-709	2
059-F 8	11	270-046/3	3	270-253	3	270-713	5
059-G 6	4-10	270-047/2	3	270-255	9	270-714	7
059-H 6	11	270-048	3	270-258	9	270-715	8
064-E 5	11	270-053	4	270-259	9	270-717	3
064-F 5	3	270-056/2	4	270-261/1	9	270-718	8
065-D 6	3	270-057/1	1	270-264	1-9	270-719	5-6
065-L 6	10-11	270-058/1	1	270-265	9	270-720	11
065-N 6	12	270-059/1	2	270-265/1	9	270-728/1	5
067-H 10	11	PM.270-059/1	2	270-266	9	270-730/2	9
070-B 3	3	270-060/1	2	270-268	1-9	270-731/1	8

NUMERICAL INDEX OF PARTS

Nº	TAV.	Nº	TAV.	Nº	TAV.	Nº	TAV.
DIS.		DIS.		DIS.		DIS.	
270-734/1	10	290-037	3	290-944	4-5-16	PM.29.17-208/3	18
270-740	13	PM.290-049/1	3	290-947	8	G.29.17-262/1	18
270-741	13	290-050	14	290-950	8	29.17-280	18
270-743	13	290-B.050	15	290-954	4	G.29.17-0761/2	18
270-745	13	290-051	14	290-973/1	8	G.29.17-1811/1	18
270-808	10	290-B.051	15	290-987	6	29.17-1841/1	18
270-810/2	10	290-068	4	290-3081	2	29.17-1921	18
270-811/1	10	290-071	4	291-020	16	603-031	9
270-816/1	10	PM.290-071	4	PM.291-020/1	16	603-154	13
G.270-816/1	10	290-075/1	4	G.291-025/1	16	603-739	13
PM.270-816/1	10	290-099	6	291-050	16	605-412	8-32
270-823/1	10	PM.290-104/1	6-18	291-B.050	17	605-937	12
270-824/1	10	290-105	6-18	291-051	16	605-980	12
270-827/1	10	290-110	6	291-B.051	17	633-707	10
270-828/1	10	290-111	6	291-052	15-16	633-708	10
270-831/1	10	290-113	6-13	291-114	16	633-711/1	10
270-836	10	290-B.114	15	291-B.114	17	633-742	13
270-877	6	290-114/1	14	G.291-181/1	16	633-812	10
270-912	1	290-115	6	G.291-B.181/1	17	633-813	10
270-913	8	290-124	4	291-B.182	17	633-814	10
270-915	3	290-130	12	291-184/1	16	PM.633-817/1	10
270-927	3	290-134	12	291-B.184/1	17	633-818/1	10
270-933	5	290-135	12	291-B.192	17	633-819	10
270-935	3	290-137	12	291-B.1861	17	633-821/2	10
270-937/1	3	G.290-137	12	PM.297-009	2	633-822/2	10
270-940	8	AS.290-140	12	297-025/1	16-18	633-826/1	10
270-941	9	290-140	12	G.297-025/1	5	633-833	10
270-942	9	290-142	12	297-050/1	3	G.633-833/1	10
270-946	10	PM.290-148/1	12	297-051	3	633-834/1	10
270-947	10	G.290-157	12	297-055	4	633-842	10
270-965/2	8	290-177	9	G.297-068	4	633-925	10
270-966/1	10	G.290-B.181/1	15	297-076/1	7	633-959	10
270-970	8	290-B.184/1	15	G.297-076/1	7	633-966	10
270-971	11	290-B.192	15	G.297-104/1	6	633-M.745	13
270-972	8	290-203	8	297-107/1	7	670-702	10
270-974/1	4	290-204	8	G.297-107/1	7	781301-0-00	14
270-975	2-3	PM.290-205/3	8	297-109/1	7	781302-0-00	15
270-975/1	4-5	290-209	8	297-114/1	7	781303-0-00	16
270-977	3	G.290-216/2	8	297-179	7-15-16-17	781304-0-00	17
270-978	3	PM.290-217/2	8		18	781305-0-00	9
270-979	3	PM.290-218/2	8	297-182	7-15-16	781306-0-00	18
270-980	3	290-220	8	297-183	7-15-16-17	910-143	12
270-981	2	290-255	9	297-187	7-15-16-17	910-144	12
270-983	8	290-256	9		18	PM.910-914	12
270-984	3	G.290-262/1	9	297-190/1	7	G.910-914/1	12
270-985	7	290-273	9	297-194	7-15-16-17	910-934/1	12
270-989	7	290-279	8		18	910-964	12
270-992	3	290-280	9	297-195	7-15-16-17		
270-993	8	290-298	4		18		
270-995	8	290-306	9	PM.297-210	8		
270-996/2	10	290-307	2	297-214	9		
G.270-996/2	10	G.290-309/1	9	297-220	8		
270-997	11	PM.290-309/1	9	G.297-242	8		
270-999	2	290-310	9	297-247	8		
270-0541	3	290-312/1	4	297-270	9		
270-0751	4	PM.290-313	4	297-281	4		
270-8251	10	PM.290-315	1	297-362	4		
272-B.052	3	290-351	1	AS.297-403	6-32		
272-B.272	9	290-352	4	PM.297-404	32		
G.276-D.403/2	32	290-354	1	297-746	13		
276-D.407/2	32	290-356	4	297-906	7-15-16-17		
276-B.412	32	290-357	1		18		
276-B.417/1	32	290-360	4	G.297-1811/1	7		
27.01-P.092	8	G.290-361	4	297-1841/1	7		
27.01-P.403/1	7	290-363	4	297-1921	7-16		
27.27-253	9	290-396	1	PM.29.12-263	18		
27.27-256/1	9	290-412	4	G.29.17-002/1	18		
27.27-262/2	9	290-619	8	29.17-020/1	18		
PM.27.27-263/1	9	290-700	4	PM.29.17-020/2	18		
27.77-1121	6-13	290-703	3-4	G.29.17-025/2	18		
27.221-C.232/1	9	290-705	12	29.17-050	18		
27.277-0745	4	290-706	12	29.17-051	18		
280-012/3	3	290-715	3	PM.29.17-081	18		
287-183	18	290-716	4	29.17-092	18		
28-779-094	18	290-726	2	G.29.17-104/1	18		
G.290-001/1	10	290-732	3	29.17-110	18		
PM.290-001/1	10	PM.290-732	3	29.17-114/1	18		
290-002/1	1	290-733	3	29.17-132/1	18		
290-020	5	290-734	3	PM.29.17-138	18		
290-022	4	290-916	1	29.17-182	18		
290-025/1	5	290-923	4-8	29.17-190/2	18		
290-027/1	5	290-938	2	G.29.17-208/3	18		

